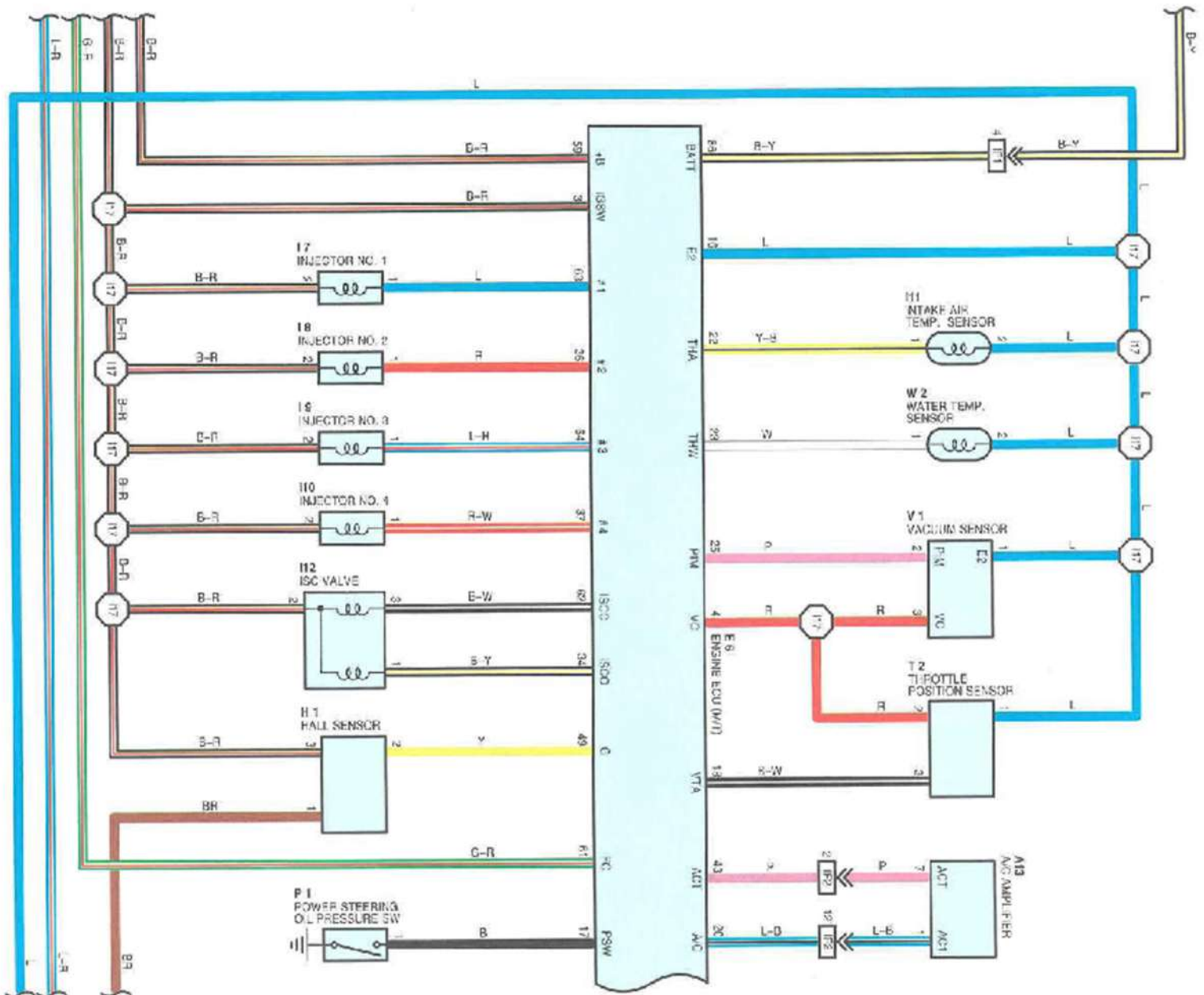


Electrical Wiring Diagram 526 & 625



FOREWORD

This wiring diagram manual has been prepared to provide information on the electrical system of the AVENSIS.

Applicable models: AZT250 Series
ZZT250, 251 Series
CDT250 Series

For service specifications and repair procedures of the above models other than those listed in this manual, refer to the following manuals;

Manual Name	Pub. No.
● AVENSIS Chassis and Body Repair Volume 1	RM1018E1
Volume 2	RM1018E2
● 1AZ-FSE Engine Repair Manual	RM1019E
● AVENSIS New Car Features	NCF240E

All information in this manual is based on the latest product information at the time of publication. However, specifications and procedures are subject to change without notice.

TOYOTA MOTOR CORPORATION

NOTICE

When handling supplemental restraint system components (removal, installation or inspection, etc.), always follow the direction given in the repair manuals listed above to prevent accidents and supplemental restraint system malfunction.

A INTRODUCTION

This manual consists of the following 13 sections:

No.	Section	Description
A	INDEX	Index of the contents of this manual.
	INTRODUCTION	Brief explanation of each section.
B	HOW TO USE THIS MANUAL	Instructions on how to use this manual.
C	TROUBLE-SHOOTING	Describes the basic inspection procedures for electrical circuits.
D	ABBREVIATIONS	Defines the abbreviations used in this manual.
E	GLOSSARY OF TERMS AND SYMBOLS	Defines the symbols and functions of major parts.
F	RELAY LOCATIONS	Shows position of the Electronic Control Unit, Relays, Relay Block, etc. This section is closely related to the system circuit.
G	ELECTRICAL WIRING ROUTING	Describes position of Parts Connectors, Splice points, Ground points, etc. This section is closely related to the system circuit.
H	INDEX	Index of the system circuits.
	SYSTEM CIRCUITS	Electrical circuits of each system are shown from the power supply through ground points. Wiring connections and their positions are shown and classified by code according to the connection method. (Refer to the section, "How to use this manual"). The "System Outline" and "Service Hints" useful for troubleshooting are also contained in this section.
I	GROUND POINT	Shows ground positions of all parts described in this manual.
J	POWER SOURCE (Current Flow Chart)	Describes power distribution from the power supply to various electrical loads.
K	CONNECTOR LIST	Describes the form of the connectors for the parts appeared in this book. This section is closely related to the system circuit.
L	PART NUMBER OF CONNECTORS	Indicates the part number of the connectors used in this manual.
M	OVERALL ELECTRICAL WIRING DIAGRAM	Provides circuit diagrams showing the circuit connections.

This manual provides information on the electrical circuits installed on vehicles by dividing them into a circuit for each system.

The actual wiring of each system circuit is shown from the point where the power source is received from the battery as far as each ground point. (All circuit diagrams are shown with the switches in the OFF position.)

When troubleshooting any problem, first understand the operation of the circuit where the problem was detected (see System Circuit section), the power source supplying power to that circuit (see Power Source section), and the ground points (see Ground Point section). See the System Outline to understand the circuit operation.

When the circuit operation is understood, begin troubleshooting of the problem circuit to isolate the cause. Use Relay Location and Electrical Wiring Routing sections to find each part, junction block and wiring harness connectors, wiring harness and wiring harness connectors, splice points, and ground points of each system circuit. Internal wiring for each junction block is also provided for better understanding of connection within a junction block.

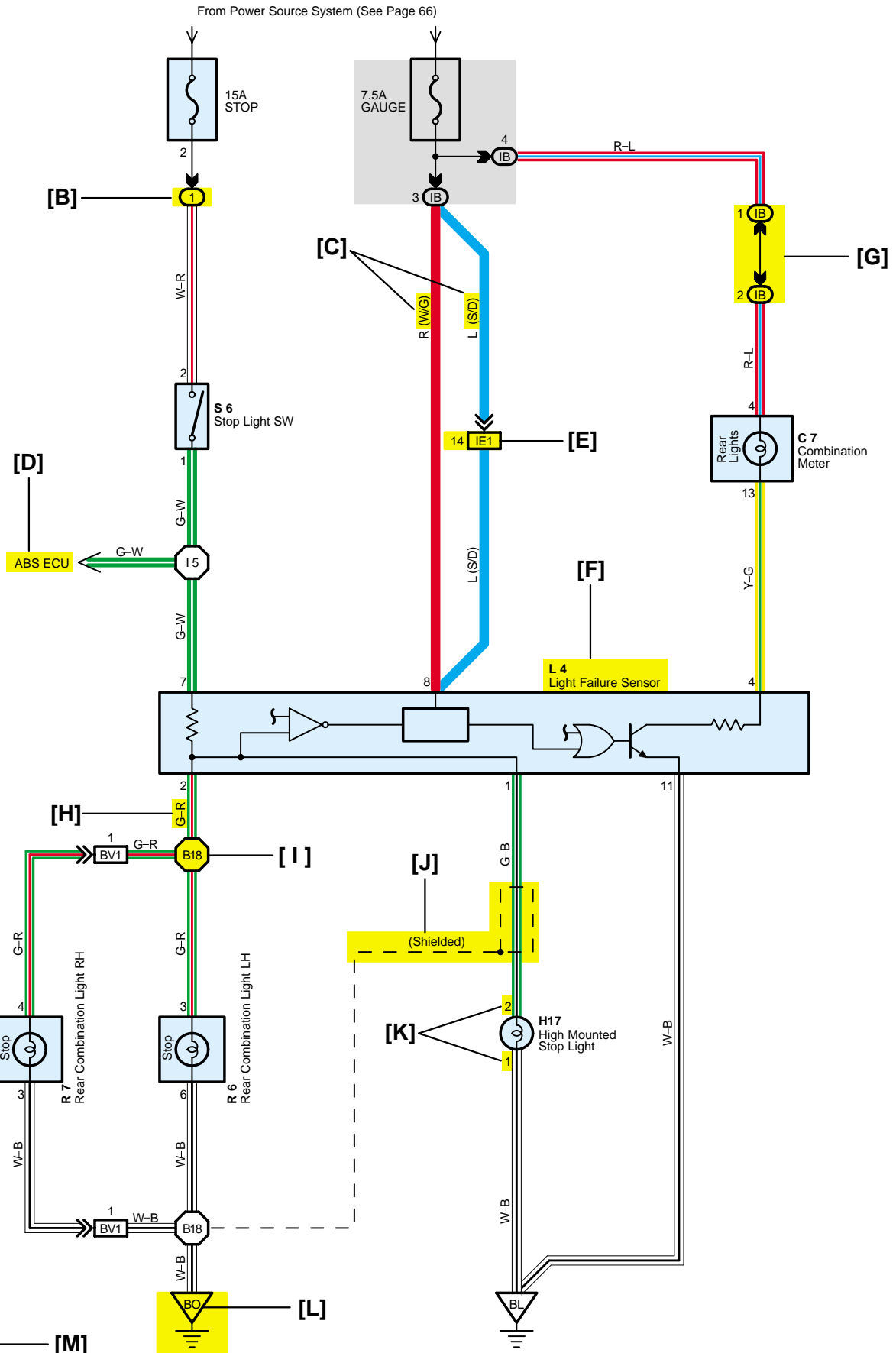
Wiring related to each system is indicated in each system circuit by arrows (from__, to__). When overall connections are required, see the Overall Electrical Wiring Diagram at the end of this manual.

B HOW TO USE THIS MANUAL

* The system shown here is an EXAMPLE ONLY. It is different to the actual circuit shown in the SYSTEM CIRCUITS SECTION.

[A]

Stop Light



[A] : System Title

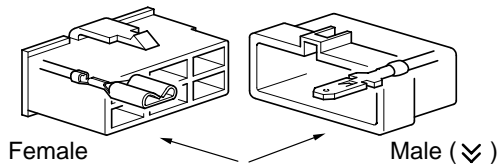
[B] : Indicates a Relay Block. No shading is used and only the Relay Block No. is shown to distinguish it from the J/B

Example: ① Indicates Relay Block No.1

[C] : () is used to indicate different wiring and connector, etc. when the vehicle model, engine type, or specification is different.

[D] : Indicates related system.

[E] : Indicates the wiring harness and wiring harness connector. The wiring harness with male terminal is shown with arrows (↘). Outside numerals are pin numbers.



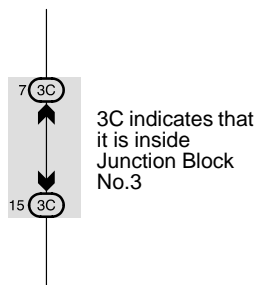
The first letter of the code for each wiring harness and wiring harness connector(s) indicates the component's location, e.g, "E" for the Engine Compartment, "I" for the Instrument Panel and Surrounding area, and "B" for the Body and Surrounding area.

When more than one code has the first and second letters in common, followed by numbers (e.g, IH1, IH2), this indicates the same type of wiring harness and wiring harness connector.

[F] : Represents a part (all parts are shown in sky blue). The code is the same as the code used in parts position.

[G] : Junction Block (The number in the circle is the J/B No. and the connector code is shown beside it). Junction Blocks are shaded to clearly separate them from other parts.

Example:



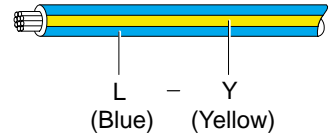
[H] : Indicates the wiring color.

Wire colors are indicated by an alphabetical code.

- B = Black W = White BR = Brown
- L = Blue V = Violet SB = Sky Blue
- R = Red G = Green LG = Light Green
- P = Pink Y = Yellow GR = Gray
- O = Orange

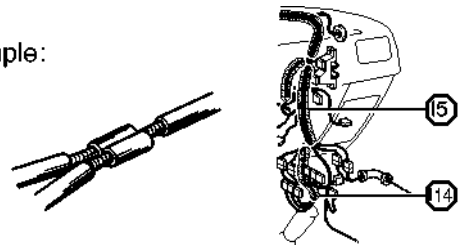
The first letter indicates the basic wire color and the second letter indicates the color of the stripe.

Example: L - Y



[I] : Indicates a wiring Splice Point (Codes are "E" for the Engine Room, "I" for the Instrument Panel, and "B" for the Body).

Example:



The Location of splice Point I 5 is indicated by the shaded section.

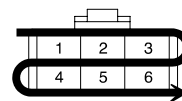
[J] : Indicates a shielded cable.



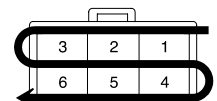
[K] : Indicates the pin number of the connector. The numbering system is different for female and male connectors.

Example: Numbered in order from upper left to lower right

Numbered in order from upper right to lower left



Female



Male

[L] : Indicates a ground point.

The first letter of the code for each ground point(s) indicates the component's location, e.g, "E" for the Engine Compartment, "I" for the Instrument Panel and Surrounding area, and "B" for the Body and Surrounding area.

[M] : Page No.

B HOW TO USE THIS MANUAL

[N] System Outline

Current is applied at all times through the STOP fuse to TERMINAL 2 of the stop light SW.
When the ignition SW is turned on, current flows from the GAUGE fuse to TERMINAL 8 of the light failure sensor, and also flows through the rear lights warning light to TERMINAL 4 of the light failure sensor.

Stop Light Disconnection Warning

When the ignition SW is turned on and the brake pedal is pressed (Stop light SW on), if the stop light circuit is open, the current flowing from TERMINAL 7 of the light failure sensor to TERMINALS 1, 2 changes, so the light failure sensor detects the disconnection and the warning circuit of the light failure sensor is activated.

As a result, the current flows from TERMINAL 4 of the light failure sensor to TERMINAL 11 to GROUND and turns the rear lights warning light on. By pressing the brake pedal, the current flowing to TERMINAL 8 of the light failure sensor keeps the warning circuit on and holds the warning light on until the ignition SW is turned off.

[O] Service Hints

S6 Stop Light SW

2-1 : Closed with the brake pedal depressed

L4 Light Failure Sensor

1, 2, 7-Ground : Approx. 12 volts with the stop light SW on

4, 8-Ground : Approx. 12 volts with the ignition SW at ON position

11-Ground : Always continuity

[P] : Parts Location

Code	See Page	Code	See Page	Code	See Page
C7	34	L4	36	R7	37
H17	36	R6	37	S6	35

[Q] : Relay Blocks

Code	See Page	Relay Blocks (Relay Block Location)
1	18	R/B No.1 (Instrument Panel Brace LH)

[R] : Junction Block and Wire Harness Connector

Code	See Page	Junction Block and Wire Harness (Connector Location)
IB	20	Instrument Panel Wire and Instrument Panel J/B (Lower Finish Panel)
3C	22	Instrument Panel Wire and J/B No.3 (Instrument Panel Brace LH)

[S] : Connector Joining Wire Harness and Wire Harness

Code	See Page	Joining Wire Harness and Wire Harness (Connector Location)
IE1	42	Floor Wire and Instrument Panel Wire (Left Kick Panel)
BV1	50	Luggage Room Wire and Floor Wire (Luggage Room Left)

[T] : Ground Points

Code	See Page	Ground Points Location
BL	50	Under the Left Center Pillar
BO	50	Back Panel Center

[U] : Splice Points

Code	See Page	Wire Harness with Splice Points	Code	See Page	Wire Harness with Splice Points
I5	44	Cowl Wire	B18	50	Luggage Room Wire

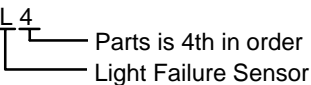
[N] : Explains the system outline.

[O] : Indicates values or explains the function for reference during troubleshooting.

[P] : Indicates the reference page showing the position on the vehicle of the parts in the system circuit.

Example : Part "L4" (Light Failure Sensor) is on page 36 of the manual.

* The letter in the code is from the first letter of the part, and the number indicates its order in parts starting with that letter.

Example : L 4


[Q] : Indicates the reference page showing the position on the vehicle of Relay Block Connectors in the system circuit.

Example : Connector "1" is described on page 18 of this manual and is installed on the left side of the instrument panel.

[R] : Indicates the reference page showing the position on the vehicle of J/B and Wire Harness in the system circuit.

Example : Connector "3C" connects the Instrument Panel Wire and J/B No.3. It is described on page 22 of this manual, and is installed on the instrument panel left side.

[S] : Indicates the reference page describing the wiring harness and wiring harness connector (the female wiring harness is shown first, followed by the male wiring harness).

Example : Connector "IE1" connects the floor wire (female) and Instrument panel wire (male). It is described on page 42 of this manual, and is installed on the left side kick panel.

[T] : Indicates the reference page showing the position of the ground points on the vehicle.

Example : Ground point "BO" is described on page 50 of this manual and is installed on the back panel center.

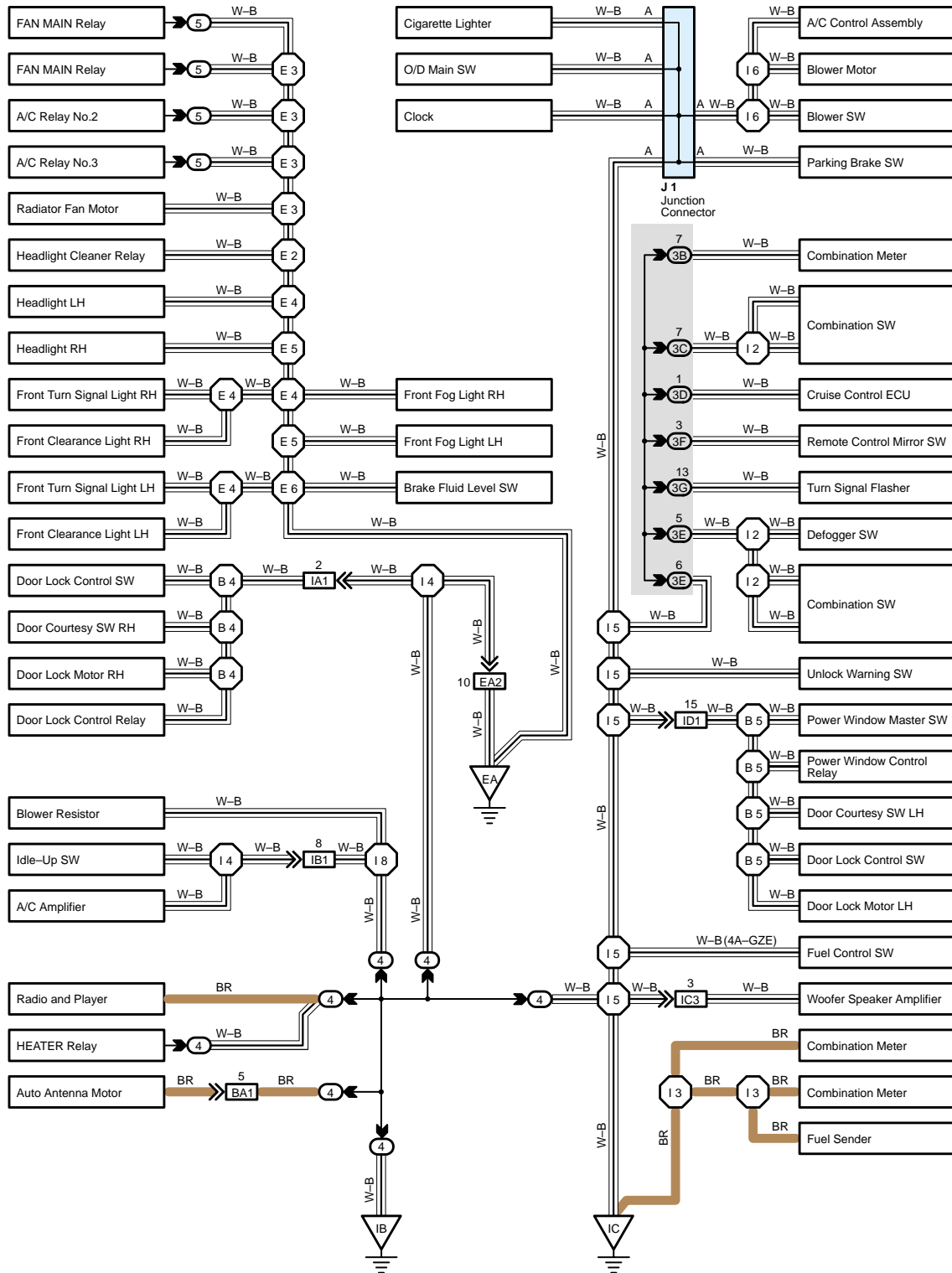
[U] : Indicates the reference page showing the position of the splice points on the vehicle.

Example : Splice point "I5" is on the Cowl Wire Harness and is described on page 44 of this manual.

B HOW TO USE THIS MANUAL

The ground points circuit diagram shows the connections from all major parts to the respective ground points. When troubleshooting a faulty ground point, checking the system circuits which use a common ground may help you identify the problem ground quickly. The relationship between ground points (∇_{EA} , ∇_{IB} and ∇_{IC} shown below) can also be checked this way.

I GROUND POINT

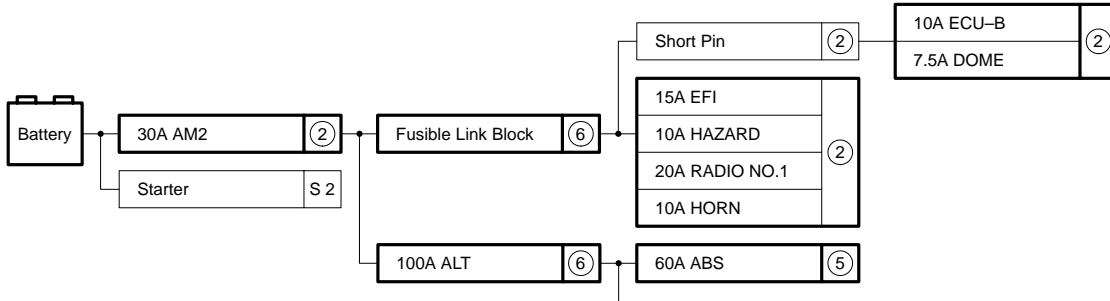


* The system shown here is an EXAMPLE ONLY. It is different to the actual circuit shown in the SYSTEM CIRCUITS SECTION.

The "Current Flow Chart" section, describes which parts each power source (fuses, fusible links, and circuit breakers) transmits current to. In the Power Source circuit diagram, the conditions when battery power is supplied to each system are explained. Since all System Circuit diagrams start from the power source, the power source system must be fully understood.

J POWER SOURCE (Current Flow Chart)

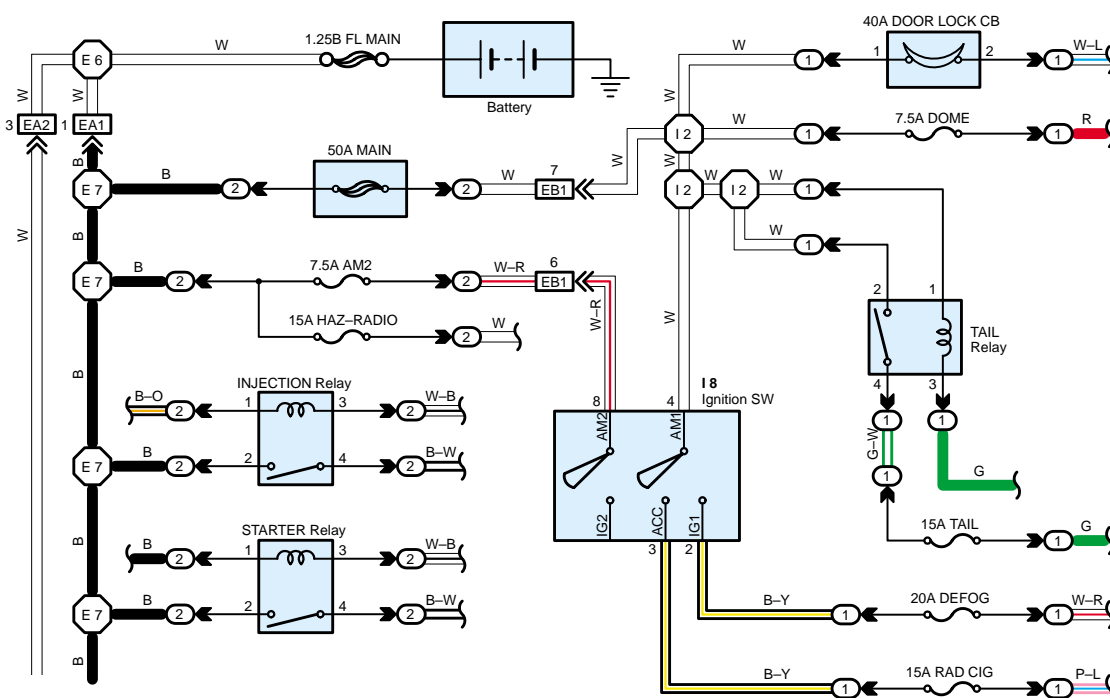
The chart below shows the route by which current flows from the battery to each electrical source (Fusible Link, Circuit Breaker, Fuse, etc.) and other parts.



Engine Room R/B (See Page 20)

Fuse	System	Page
20A	STOP	
	ABS	194
	ABS and Traction Control	187
	Cruise Control	180
	Electronically Controlled Transmission	166
10A	DOME	
	Multiplex Communication System	210
	Cigarette Lighter	214
	Combination Meter	230
	Headlight	112
	Interior Light	122
	Key Reminder and Seat Belt Warning	

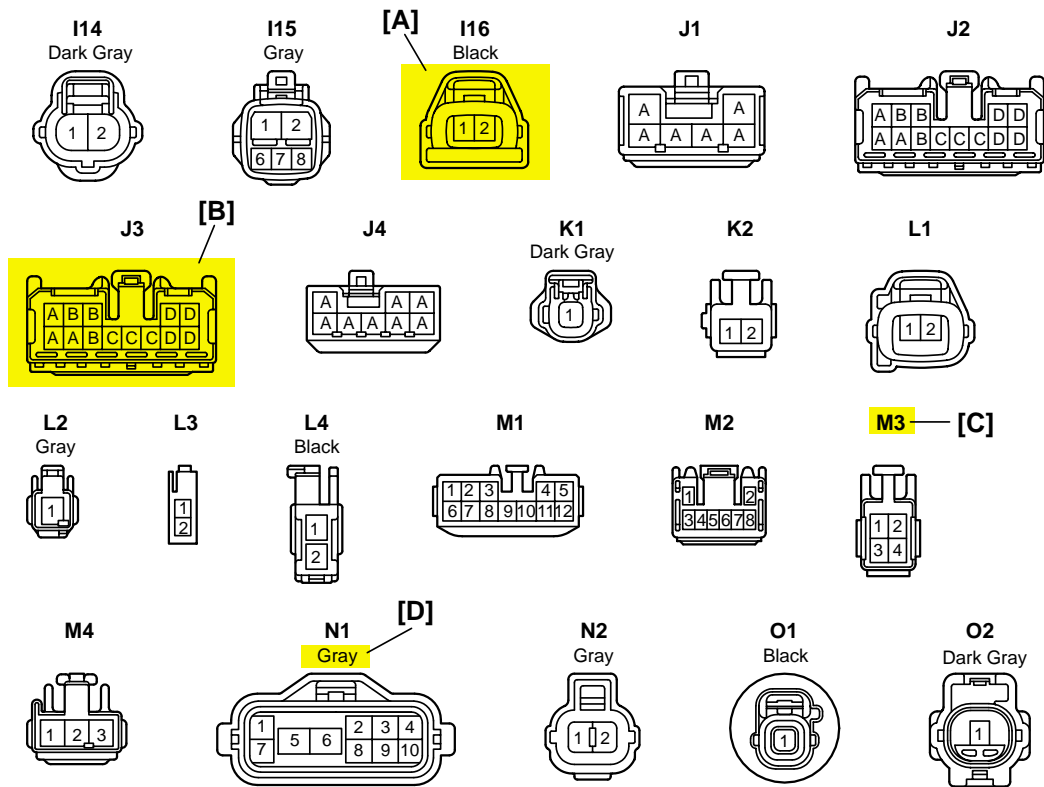
Power Source



* The system shown here is an EXAMPLE ONLY. It is different to the actual circuit shown in the SYSTEM CIRCUITS SECTION.

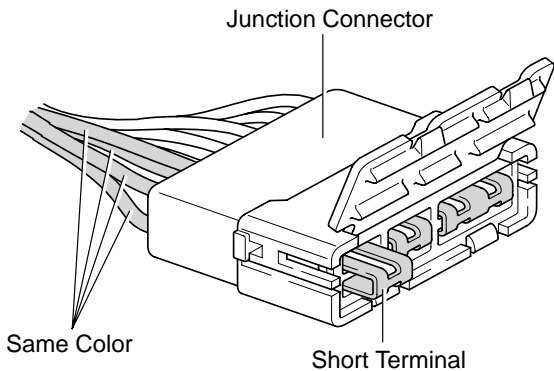
B HOW TO USE THIS MANUAL

K CONNECTOR LIST



[A] : Indicates connector to be connected to a part. (The numeral indicates the pin No.)

[B] : Junction Connector
Indicates a connector which is connected to a short terminal.



Junction connector in this manual include a short terminal which is connected to a number of wire harnesses. Always perform inspection with the short terminal installed. (When installing the wire harnesses, the harnesses can be connected to any position within the short terminal grouping. Accordingly, in other vehicles, the same position in the short terminal may be connected to a wire harness from a different part.)

Wire harness sharing the same short terminal grouping have the same color.

[C] : Parts Code
The first letter of the code is taken from the first letter of part, and the numbers indicates its order in parts which start with the same letter.

[D] : Connector Color
Connectors not indicated are milky white in color.

L PART NUMBER OF CONNECTORS

Code	Part Name	Part Number	Code	Part Name	Part Number
A 1	A/C Ambient Temp. Sensor	90980-11070	D 4	Diode (Courtesy)	90980-11608
A 2	A/C Condenser Fan Motor	90980-11237	D 5	Diode (Interior Light)	90980-10962
A 3	A/C Condenser Fan Relay	90980-10940	D 6	Diode (Moon Roof)	90980-11608
A 4	A/C Condenser Fan Resistor	90980-10928	D 7	Door Lock Control Relay	90980-10848
A 5	A/C Magnetic Clutch	90980-11271	D 8	Door Lock Control SW LH	90980-11148
A 6	A/T Oil Temp. Sensor	90980-11413	D 9	Door Lock Control SW RH	
[A]	ABS Actuator [B]	909-[C] 151	D10	Door Courtesy SW LH	90980-11097
A 8	ABS Actuator	90980-11009	D11	Door Courtesy SW RH	
A 9	ABS Speed Sensor Front LH	90980-10941	D12	Door Courtesy SW Front LH	90980-11156
A10	ABS Speed Sensor Front RH	90980-11002	D13	Door Courtesy SW Front RH	
A11	Airbag Sensor Front LH	90980-11856	D14	Door Courtesy SW Rear LH	
A12	Airbag Sensor Front RH		D15	Door Courtesy SW Rear RH	
A13	Airbag Sensor Front LH	90980-11194	D16	Door Courtesy SW Front LH	90980-11170
		90980-11194			

[A] : Part Code

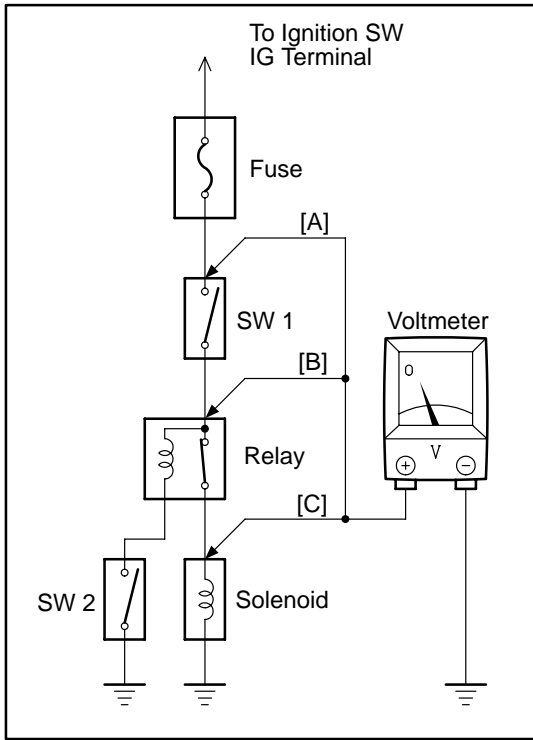
[B] : Part Name

[C] : Part Number

Toyota Part Number are indicated.

Not all of the above part numbers of the connector are established for the supply.

C TROUBLESHOOTING



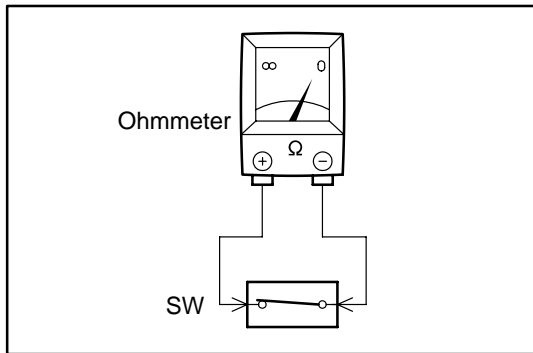
VOLTAGE CHECK

- (a) Establish conditions in which voltage is present at the check point.

Example:

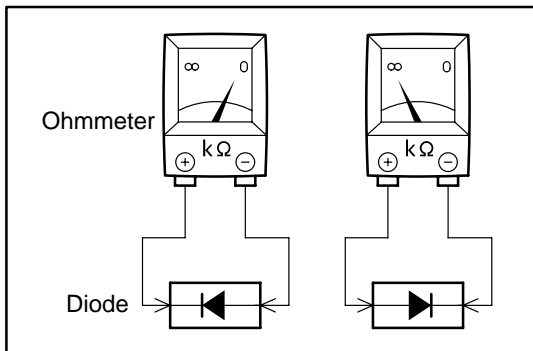
- [A] – Ignition SW on
- [B] – Ignition SW and SW 1 on
- [C] – Ignition SW, SW 1 and Relay on (SW 2 off)

- (b) Using a voltmeter, connect the negative lead to a good ground point or negative battery terminal, and the positive lead to the connector or component terminal. This check can be done with a test light instead of a voltmeter.



CONTINUITY AND RESISTANCE CHECK

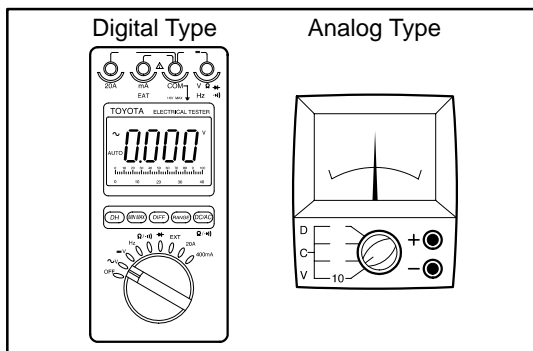
- (a) Disconnect the battery terminal or wire so there is no voltage between the check points.
- (b) Contact the two leads of an ohmmeter to each of the check points.



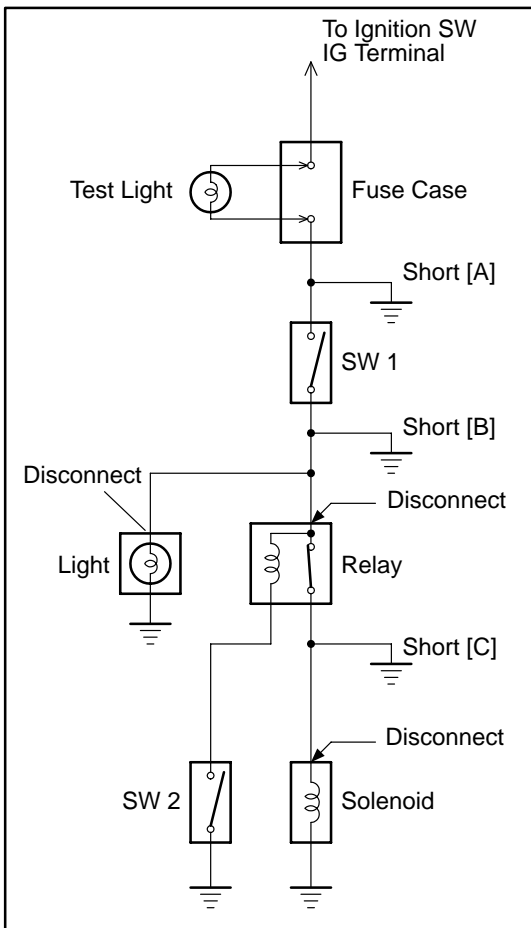
If the circuit has diodes, reverse the two leads and check again.

When contacting the negative lead to the diode positive side and the positive lead to the negative side, there should be continuity.

When contacting the two leads in reverse, there should be no continuity.



- (c) Use a volt/ohmmeter with high impedance (10 k Ω /V minimum) for troubleshooting of the electrical circuit.



FINDING A SHORT CIRCUIT

- Remove the blown fuse and disconnect all loads of the fuse.
- Connect a test light in place of the fuse.
- Establish conditions in which the test light comes on.

Example:

- [A] – Ignition SW on
- [B] – Ignition SW and SW 1 on
- [C] – Ignition SW, SW 1 and Relay on (Connect the Relay) and SW 2 off (or Disconnect SW 2)

- Disconnect and reconnect the connectors while watching the test light. The short lies between the connector where the test light stays lit and the connector where the light goes out.
- Find the exact location of the short by lightly shaking the problem wire along the body.

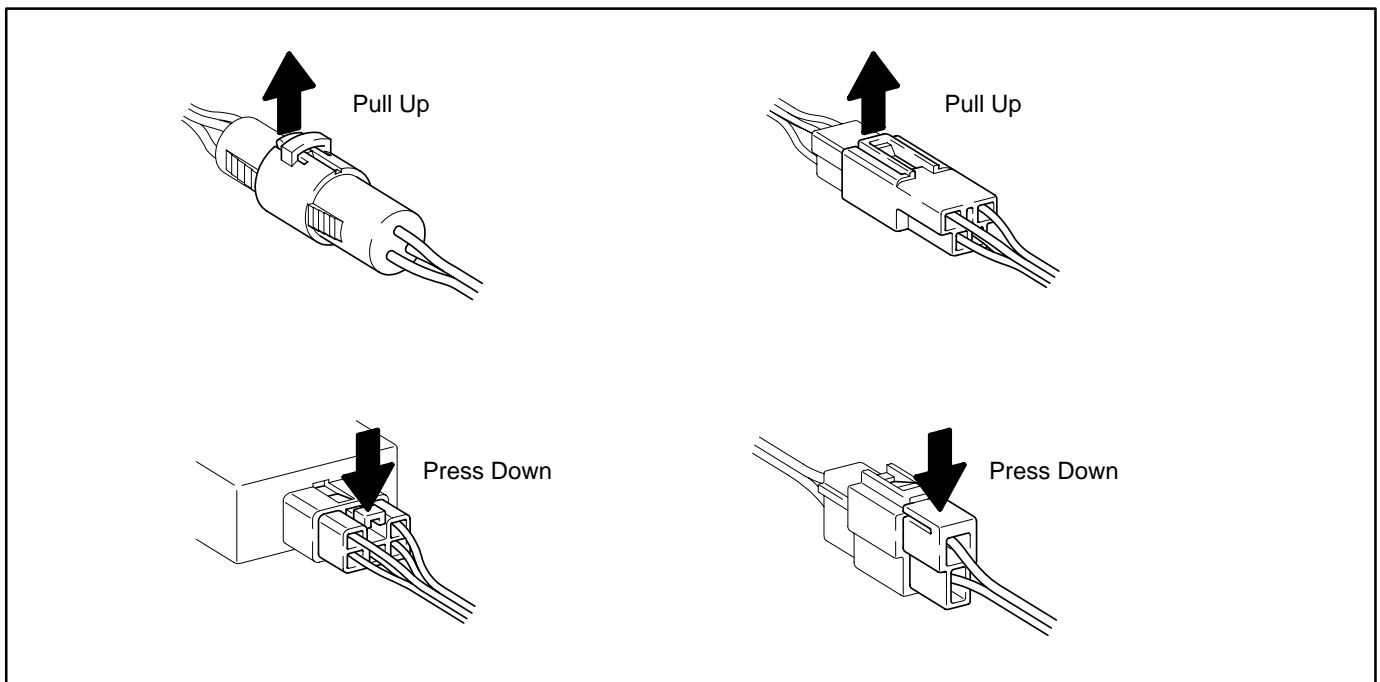
CAUTION:

- Do not open the cover or the case of the ECU unless absolutely necessary. (If the IC terminals are touched, the IC may be destroyed by static electricity.)
- When replacing the internal mechanism (ECU part) of the digital meter, be careful that no part of your body or clothing comes in contact with the terminals of leads from the IC, etc. of the replacement part (spare part).

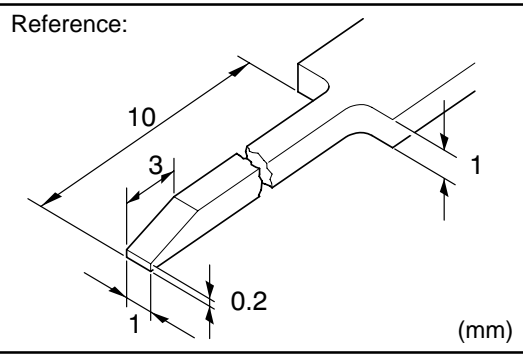
DISCONNECTION OF MALE AND FEMALE CONNECTORS

To pull apart the connectors, pull on the connector itself, not the wire harness.

HINT: Check to see what kind of connector you are disconnecting before pulling apart.



C TROUBLESHOOTING



HOW TO REPLACE TERMINAL (with terminal retainer or secondary locking device)

1. PREPARE THE SPECIAL TOOL

HINT : To remove the terminal from the connector, please construct and use the special tool or like object shown on the left.

2. DISCONNECT CONNECTOR

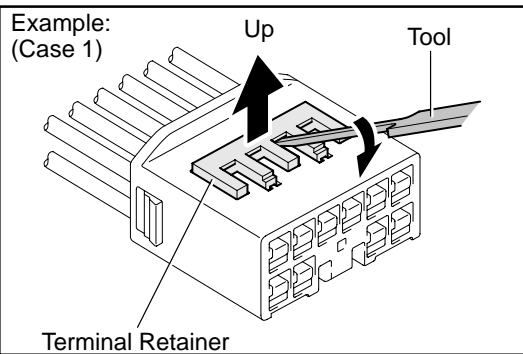
3. DISENGAGE THE SECONDARY LOCKING DEVICE OR TERMINAL RETAINER.

(a) Locking device must be disengaged before the terminal locking clip can be released and the terminal removed from the connector.

(b) Use a special tool or the terminal pick to unlock the secondary locking device or terminal retainer.

NOTICE:

Do not remove the terminal retainer from connector body.

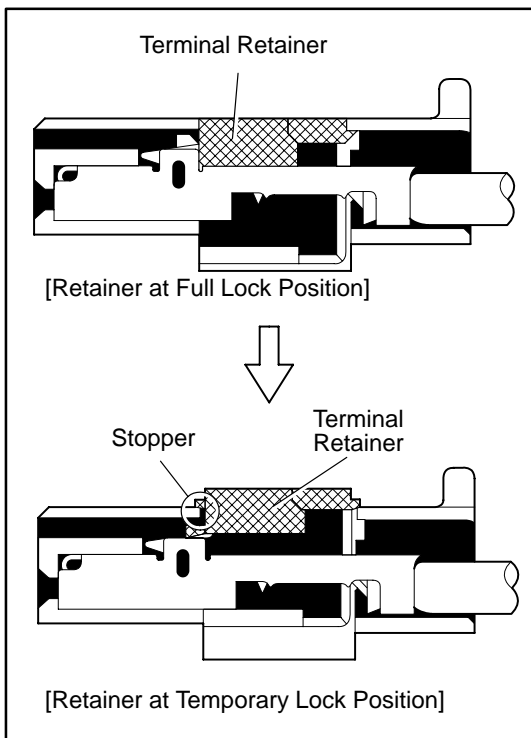


[A] For Non-Waterproof Type Connector

HINT : The needle insertion position varies according to the connector's shape (number of terminals etc.), so check the position before inserting it.

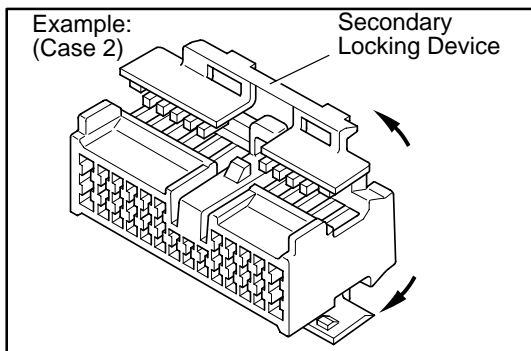
"Case 1"

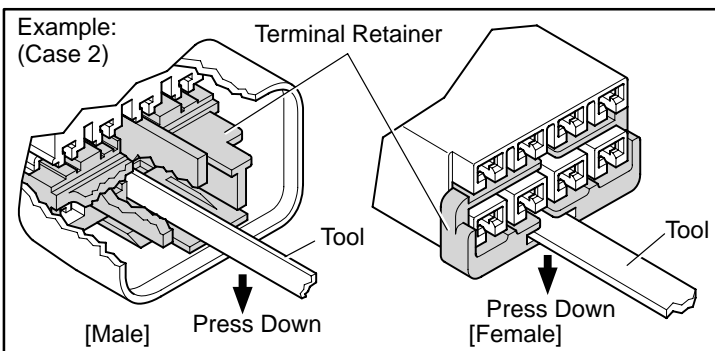
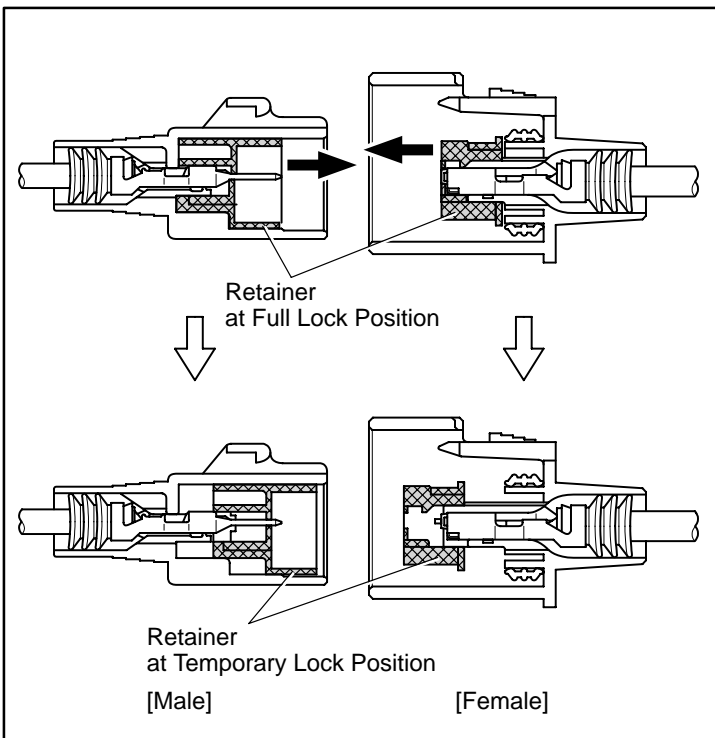
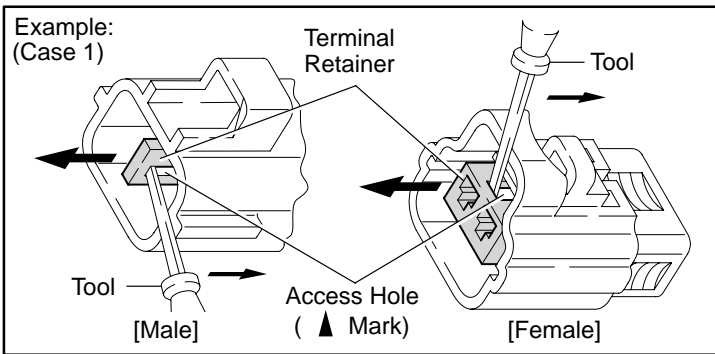
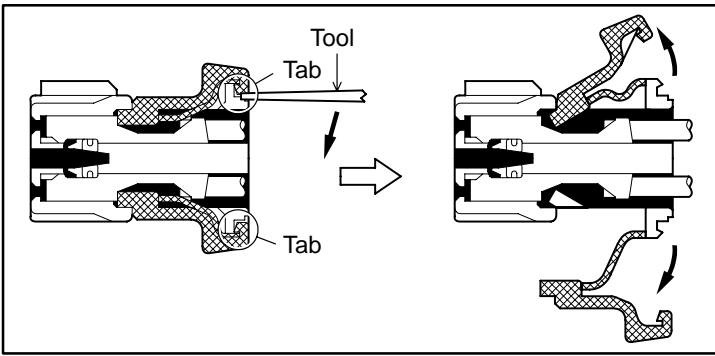
Raise the terminal retainer up to the temporary lock position.



"Case 2"

Open the secondary locking device.





[B] For Waterproof Type Connector

HINT : Terminal retainer color is different according to connector body.

Example:

Terminal Retainer	Connector Body
Black or White	Gray
Black or White	Dark Gray
Gray or White	Black

"Case 1"

Type where terminal retainer is pulled up to the temporary lock position (Pull Type).

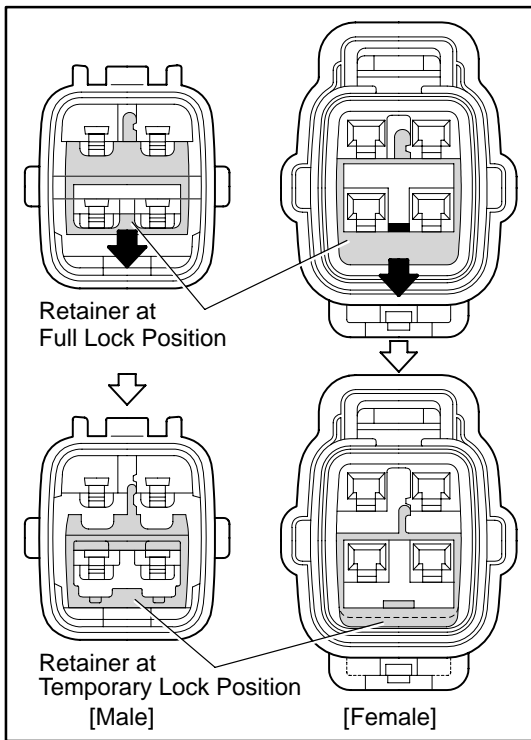
Insert the special tool into the terminal retainer access hole (▲Mark) and pull the terminal retainer up to the temporary lock position.

HINT : The needle insertion position varies according to the connector's shape (Number of terminals etc.), so check the position before inserting it.

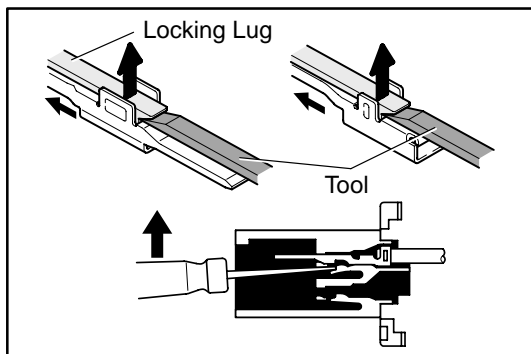
"Case 2"

Type which cannot be pulled as far as Power Lock insert the tool straight into the access hole of terminal retainer as shown.

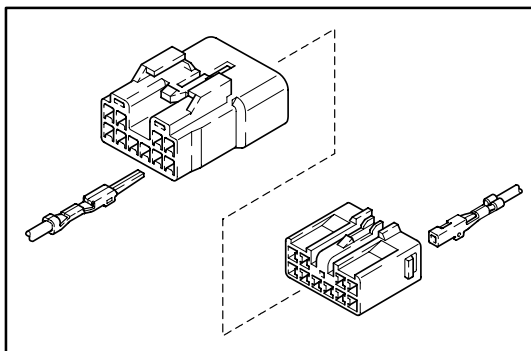
C TROUBLESHOOTING



Push the terminal retainer down to the temporary lock position.



(c) Release the locking lug from terminal and pull the terminal out from rear.

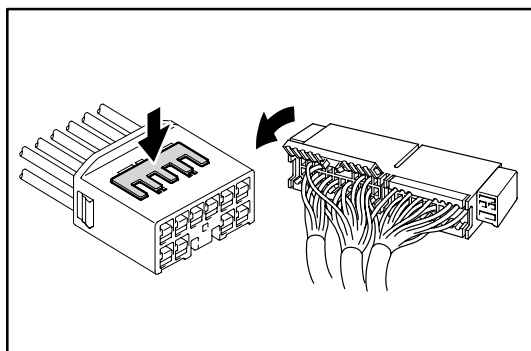


4. INSTALL TERMINAL TO CONNECTOR

(a) Insert the terminal.

HINT:

1. Make sure the terminal is positioned correctly.
2. Insert the terminal until the locking lug locks firmly.
3. Insert the terminal with terminal retainer in the temporary lock position.



(b) Push the secondary locking device or terminal retainer in to the full lock position.

5. CONNECT CONNECTOR

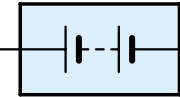
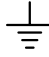
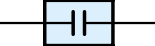
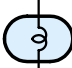



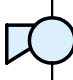

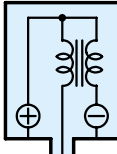




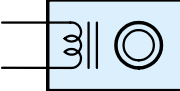




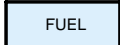

ABBREVIATIONS

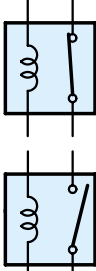

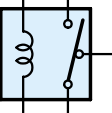
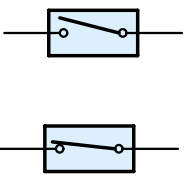
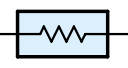
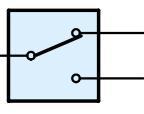
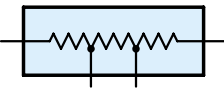
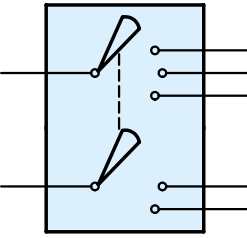
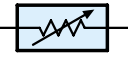
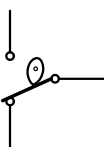

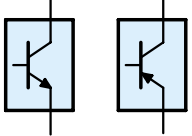

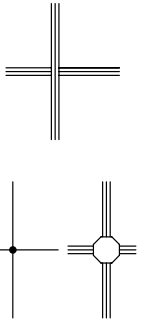
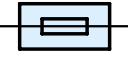
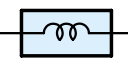
The following abbreviations are used in this manual.

A/C	=	Air Conditioner
A/T	=	Automatic Transaxle
ABS	=	Anti-Lock Brake System
CIS	=	Commonwealth of Independent States
DLC3	=	Data Link Connector 3
EC	=	Electrochromic
ECT	=	Electronic Control Transmission
ECU	=	Electronic Control Unit
EFI	=	Electronic Fuel Injection
EGR	=	Exhaust Gas Recirculation
EPS	=	Electric Power Steering
ESA	=	Electronic Spark Advance
EVAP	=	Evaporative Emission
HID	=	High Intensity Discharge
INT	=	Intermittent
ISC	=	Idle Speed Control
J/B	=	Junction Block
L/B	=	Liftback Type
LH	=	Left-Hand
LHD	=	Left-Hand Drive
M/T	=	Manual Transaxle
PTC	=	Positive Temperature Coefficient
R/B	=	Relay Block
RH	=	Right-Hand
RHD	=	Right-Hand Drive
S/D	=	Sedan Type
SRS	=	Supplemental Restraint System
SW	=	Switch
TEMP.	=	Temperature
TRC	=	Traction Control
VRV	=	Vacuum Regulating Valve
VSC	=	Vehicle Stability Control
VSV	=	Vacuum Switching Valve
VVT	=	Variable Valve Timing
VVT-i	=	Variable Valve Timing-intelligent
W/G	=	Wagon Type
w/	=	With
w/o	=	Without

* The titles given inside the components are the names of the terminals (terminal codes) and are not treated as being abbreviations.

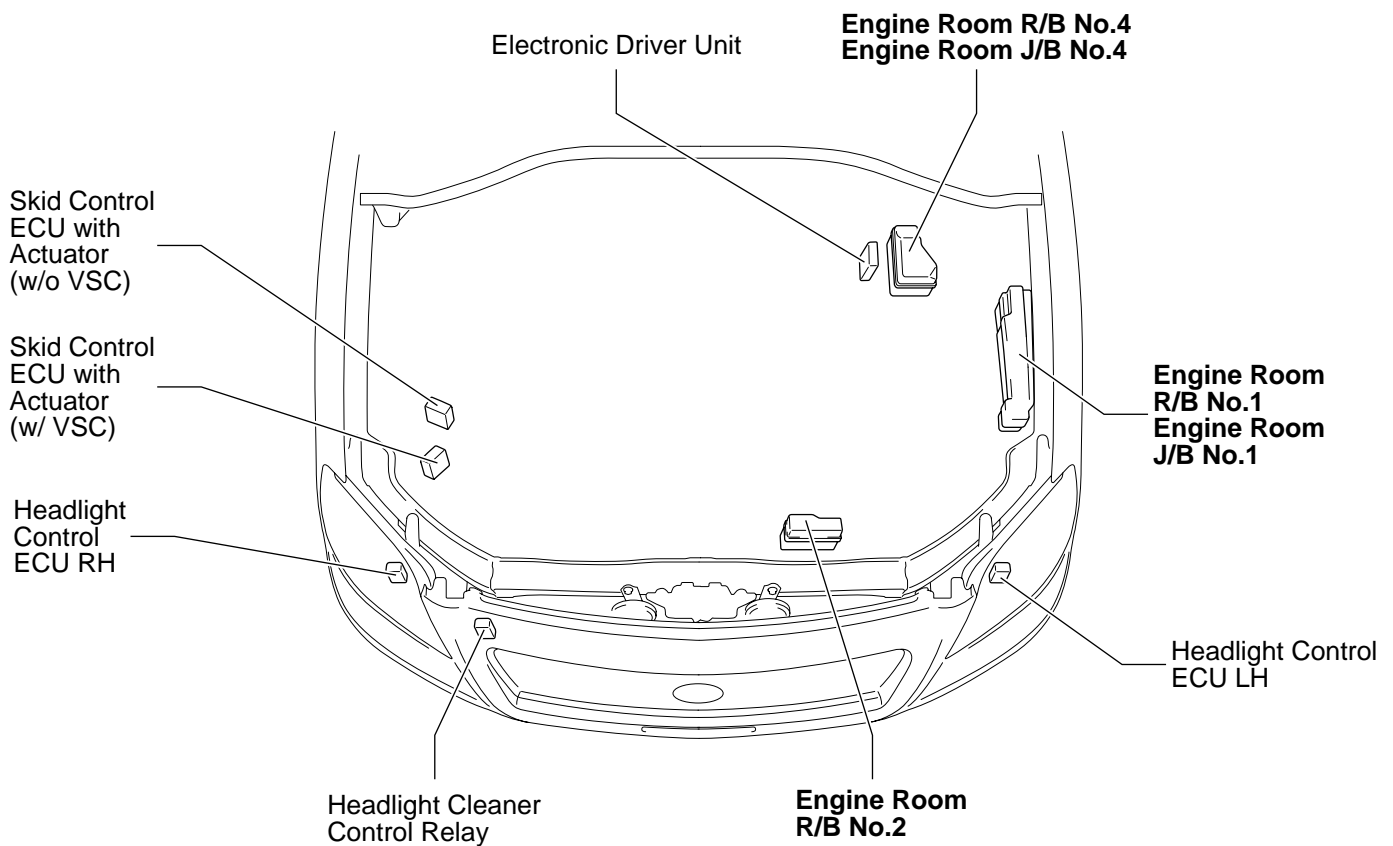
E GLOSSARY OF TERMS AND SYMBOLS

 <p>BATTERY Stores chemical energy and converts it into electrical energy. Provides DC current for the auto's various electrical circuits.</p>	 <p>GROUND The point at which wiring attaches to the Body, thereby providing a return path for an electrical circuit; without a ground, current cannot flow.</p>
 <p>CAPACITOR (Condenser) A small holding unit for temporary storage of electrical voltage.</p>	<p>HEADLIGHTS Current flow causes a headlight filament to heat up and emit light. A headlight may have either a single (1) filament or a double (2) filament</p> <p>1. SINGLE FILAMENT </p> <p>2. DOUBLE FILAMENT </p>
 <p>CIGARETTE LIGHTER An electric resistance heating element.</p>	
 <p>CIRCUIT BREAKER Basically a reusable fuse, a circuit breaker will heat and open if too much current flows through it. Some units automatically reset when cool, others must be manually reset.</p>	 <p>HORN An electric device which sounds a loud audible signal.</p>
 <p>DIODE A semiconductor which allows current flow in only one direction.</p>	 <p>IGNITION COIL Converts low-voltage DC current into high-voltage ignition current for firing the spark plugs.</p>
 <p>DIODE, ZENER A diode which allows current flow in one direction but blocks reverse flow only up to a specific voltage. Above that potential, it passes the excess voltage. This acts as a simple voltage regulator.</p>	 <p>LIGHT Current flow through a filament causes the filament to heat up and emit light.</p>
 <p>PHOTODIODE The photodiode is a semiconductor which controls the current flow according to the amount of light.</p>	 <p>LED (LIGHT EMITTING DIODE) Upon current flow, these diodes emit light without producing the heat of a comparable light.</p>
 <p>DISTRIBUTOR, IIA Channels high-voltage current from the ignition coil to the individual spark plugs.</p>	 <p>METER, ANALOG Current flow activates a magnetic coil which causes a needle to move, thereby providing a relative display against a background calibration.</p>
 <p>FUSE A thin metal strip which burns through when too much current flows through it, thereby stopping current flow and protecting a circuit from damage.</p>  <p>FUSIBLE LINK (for Medium Current Fuse) A heavy-gauge wire placed in high amperage circuits which burns through on overloads, thereby protecting the circuit. The numbers indicate the crosssection surface area of the wires.</p>  <p>(for High Current Fuse or Fusible Link)</p>	 <p>METER, DIGITAL Current flow activates one or many LED's, LCD's, or fluorescent displays, which provide a relative or digital display.</p>
	 <p>MOTOR A power unit which converts electrical energy into mechanical energy, especially rotary motion.</p>

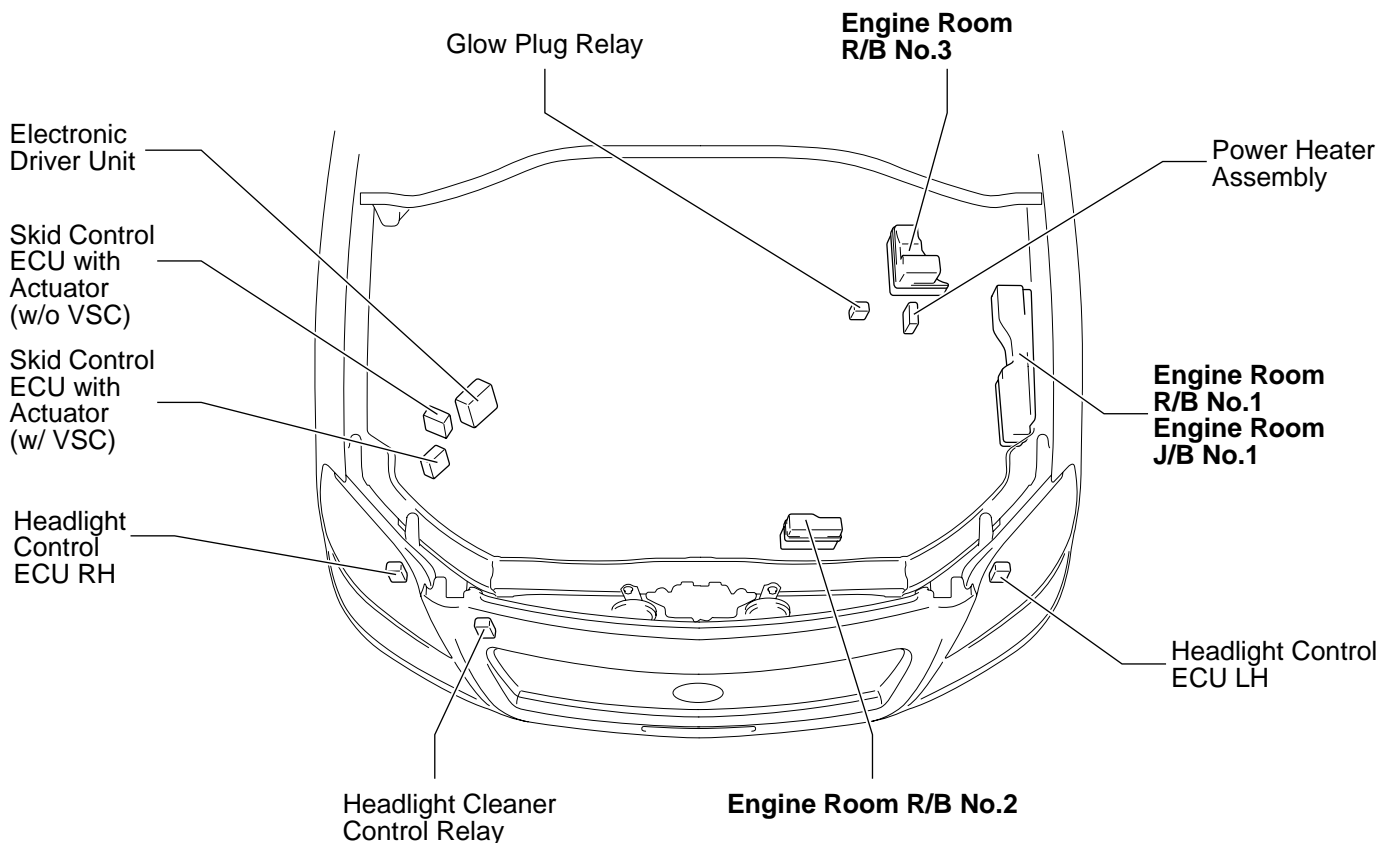
 <p>RELAY Basically, an electrically operated switch which may be normally closed (1) or open (2). Current flow through a small coil creates a magnetic field which either opens or closes an attached switch.</p> <p>1. NORMALLY CLOSED</p> <p>2. NORMALLY OPEN</p>	 <p>SPEAKER An electromechanical device which creates sound waves from current flow.</p>
 <p>RELAY, DOUBLE THROW A relay which passes current through one set of contacts or the other.</p>	<p>SWITCH, MANUAL Opens and closes circuits, thereby stopping (1) or allowing (2) current flow.</p>  <p>1. NORMALLY OPEN</p> <p>2. NORMALLY CLOSED</p>
 <p>RESISTOR An electrical component with a fixed resistance, placed in a circuit to reduce voltage to a specific value.</p>	<p>SWITCH, DOUBLE THROW A switch which continuously passes current through one set of contacts or the other.</p> 
 <p>RESISTOR, TAPPED A resistor which supplies two or more different non adjustable resistance values.</p>	<p>SWITCH, IGNITION A key operated switch with several positions which allows various circuits, particularly the primary ignition circuit, to become operational.</p> 
 <p>RESISTOR, VARIABLE or RHEOSTAT A controllable resistor with a variable rate of resistance. Also called a potentiometer or rheostat.</p>	<p>SWITCH, WIPER PARK Automatically returns wipers to the stop position when the wiper switch is turned off.</p> 
 <p>SENSOR (Thermistor) A resistor which varies its resistance with temperature.</p>	<p>TRANSISTOR A solidstate device typically used as an electronic relay; stops or passes current depending on the voltage applied at "base".</p> 
 <p>SENSOR, SPEED Uses magnetic impulses to open and close a switch to create a signal for activation of other components. (Reed Switch Type)</p>	<p>WIRES Wires are always drawn as straight lines on wiring diagrams. Crossed wires (1) without a black dot at the junction are not joined; crossed wires (2) with a black dot or octagonal (○) mark at the junction are spliced (joined) connections.</p>  <p>(1) NOT CONNECTED</p> <p>(2) SPLICED</p>
 <p>SHORT PIN Used to provide an unbroken connection within a junction block.</p>	
 <p>SOLENOID An electromagnetic coil which forms a magnetic field when current flows, to move a plunger, etc.</p>	

F RELAY LOCATIONS

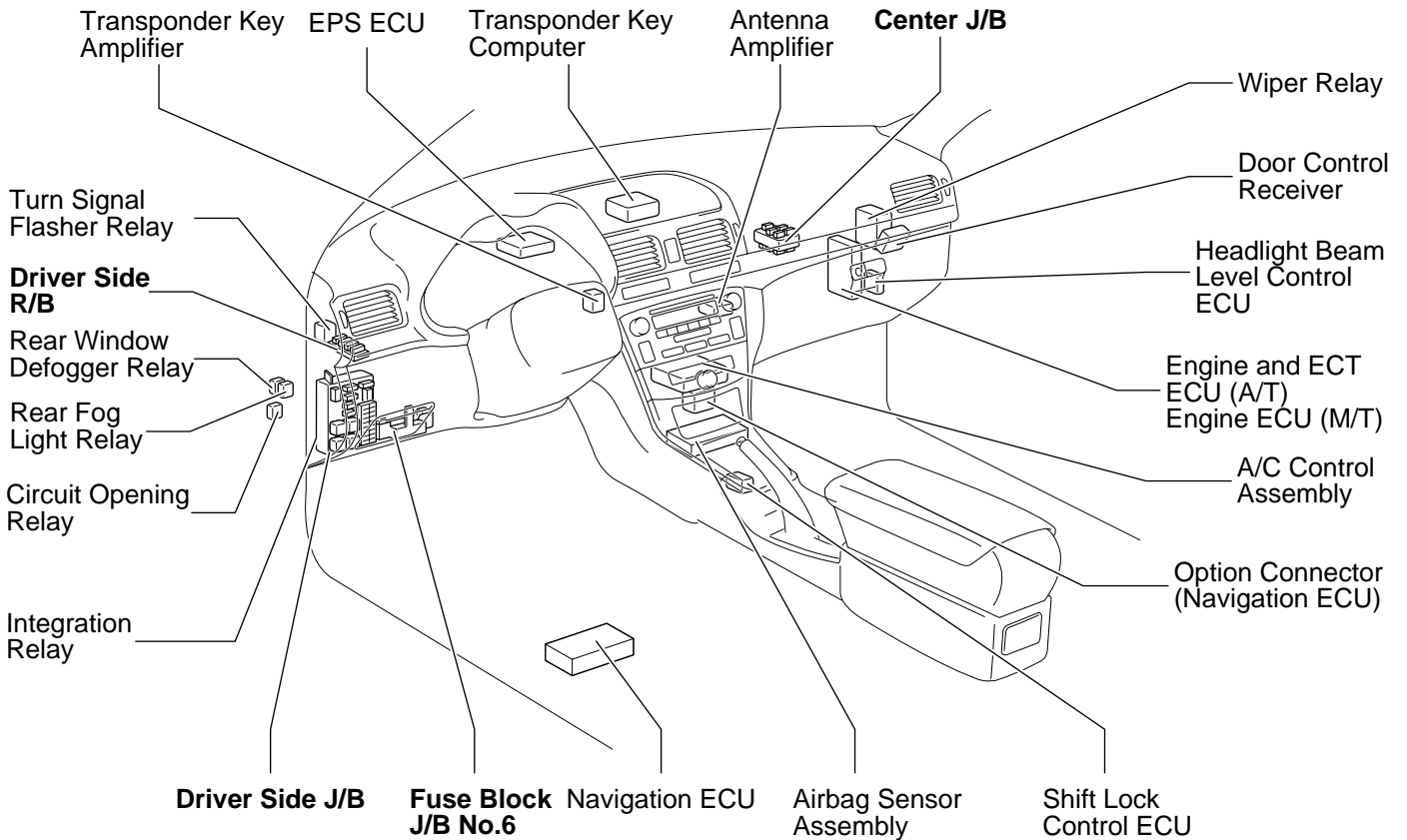
[Engine Compartment] (Gasoline)



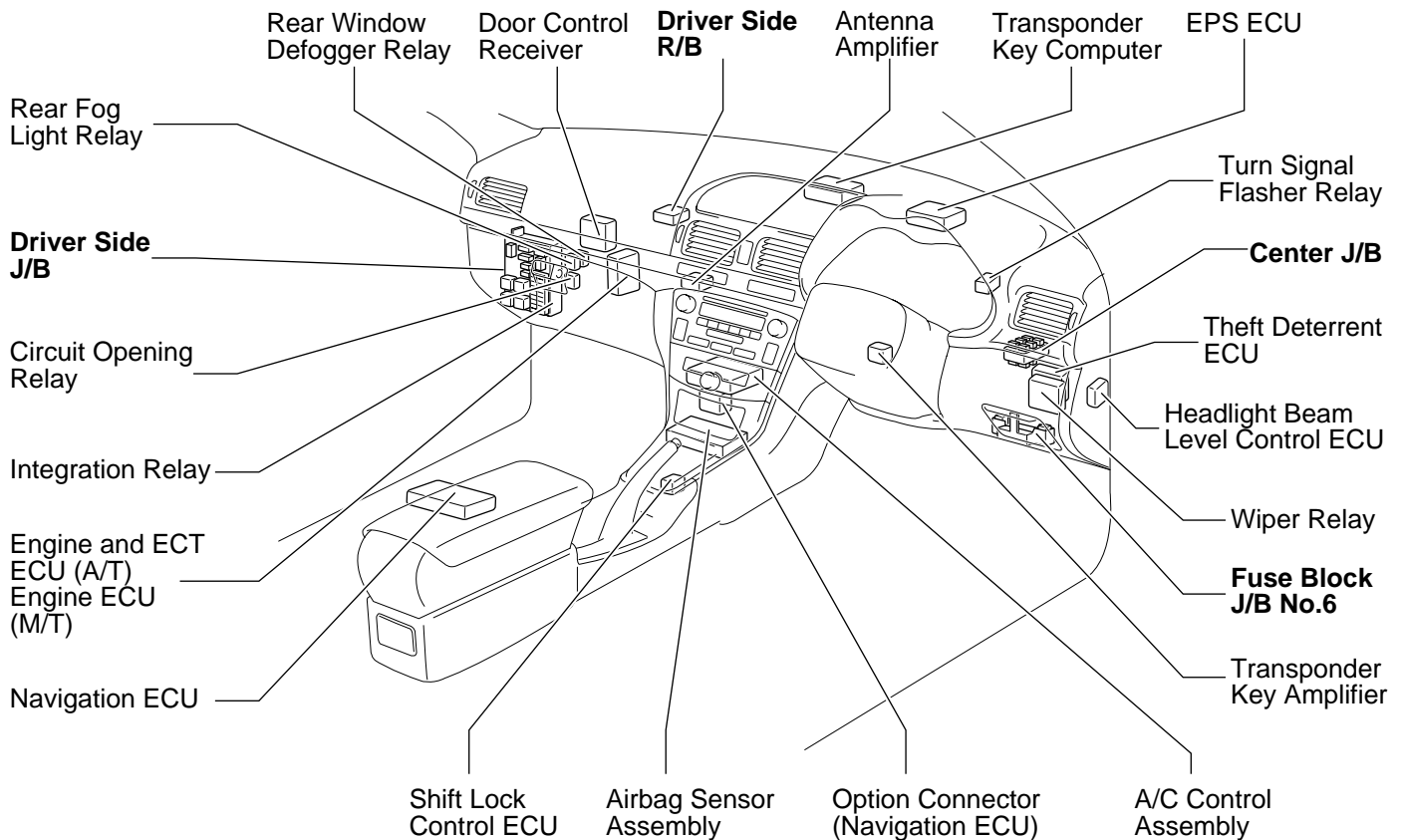
(1CD-FTV)



**[Instrument Panel]
(LHD)**

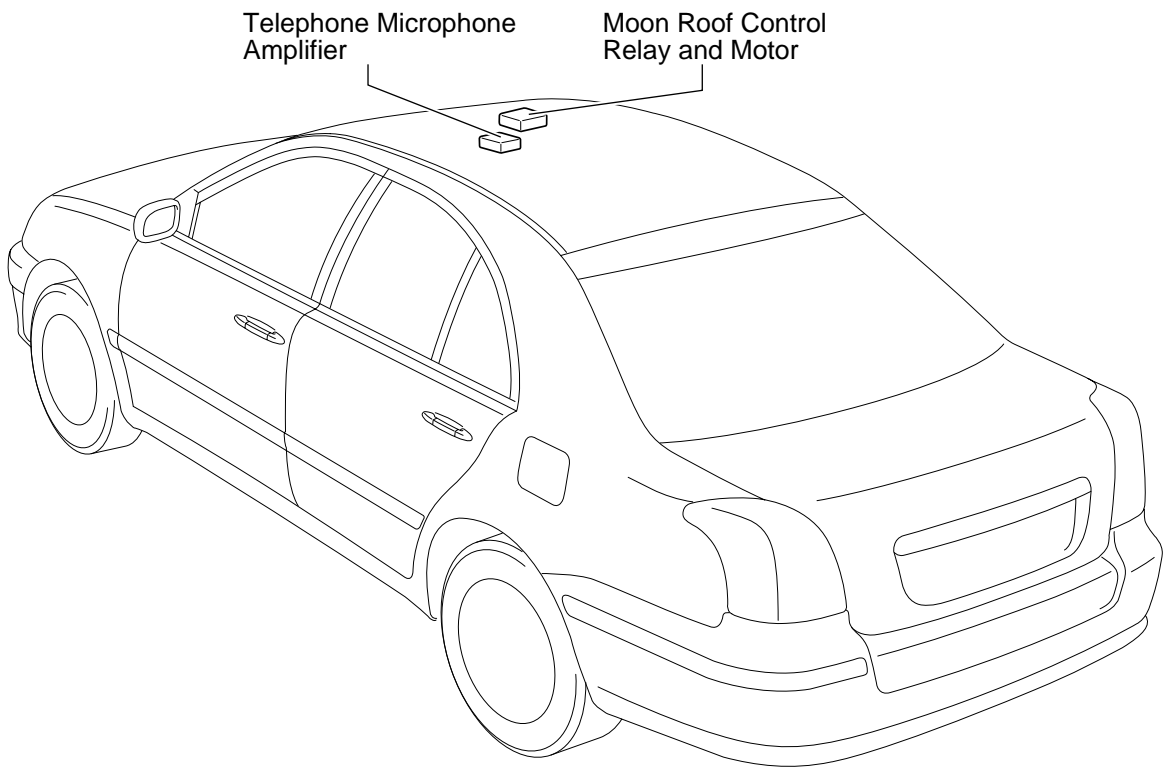


(RHD)

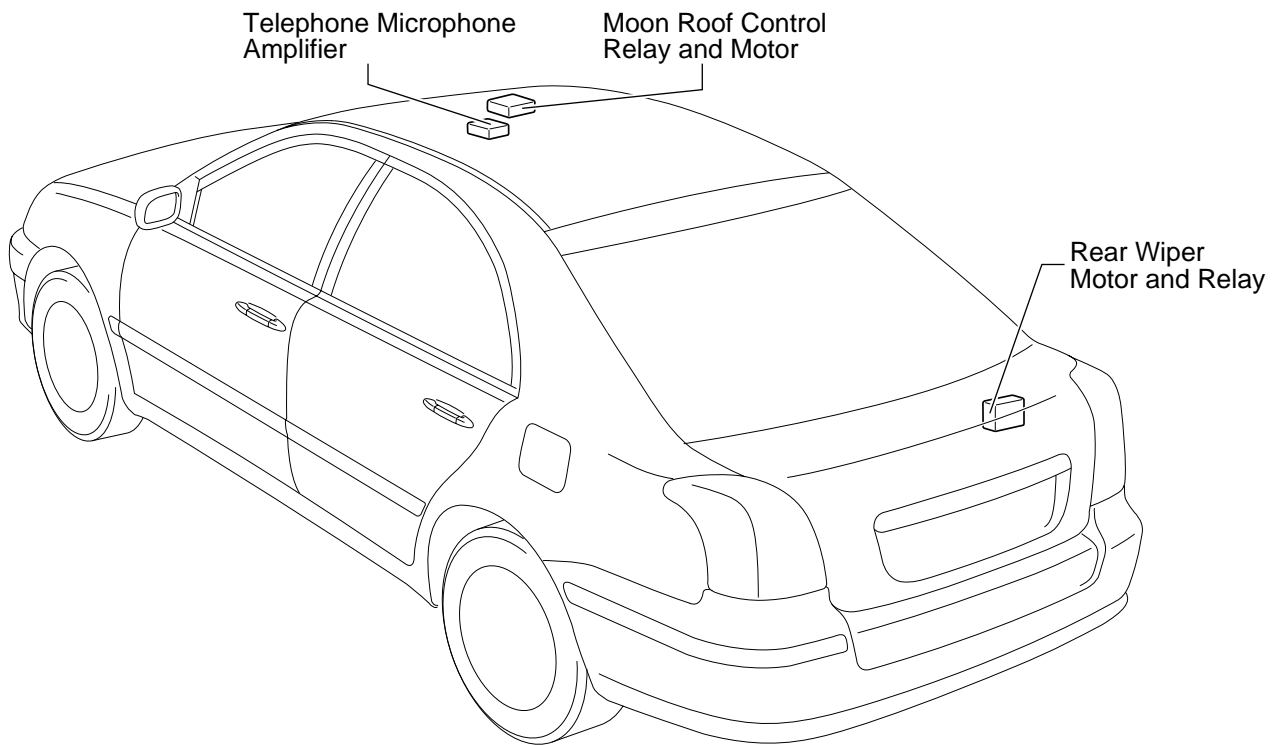


F RELAY LOCATIONS

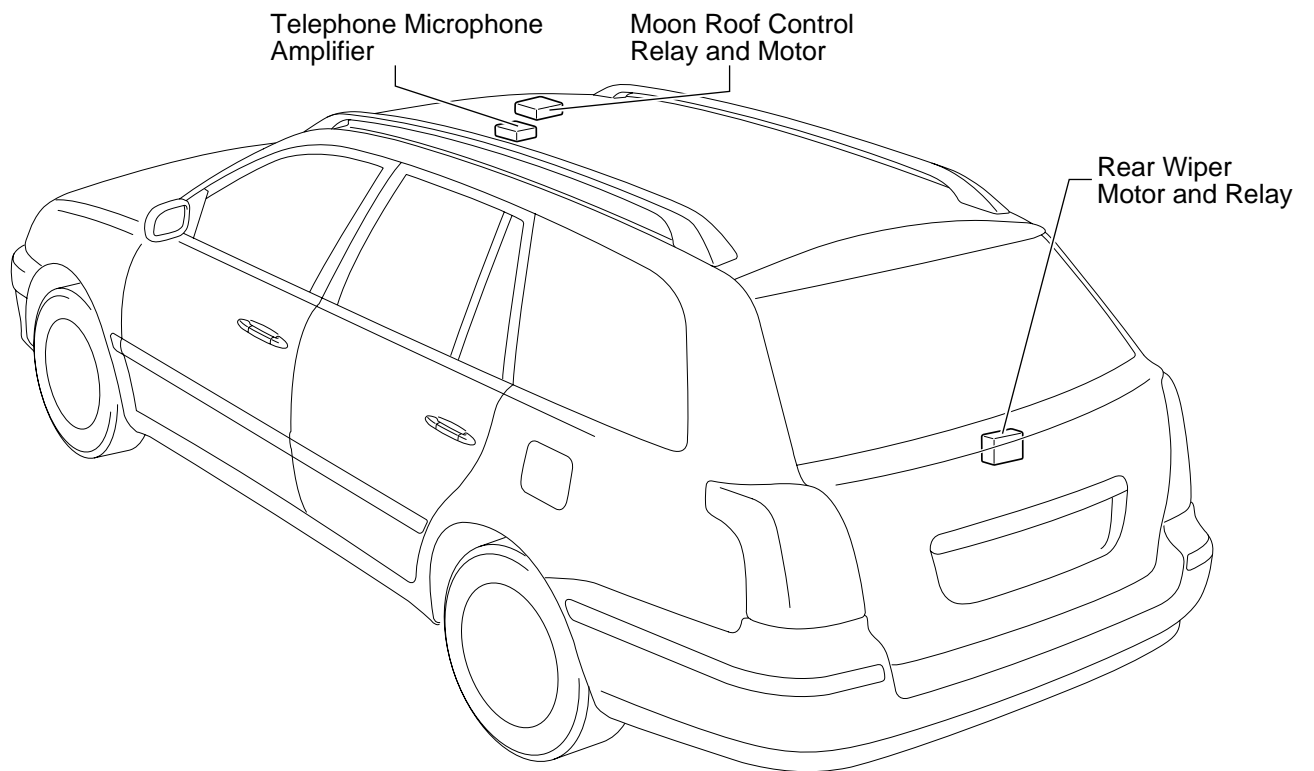
[Body]
(S/D)



(L/B)



(W/G)



F RELAY LOCATIONS

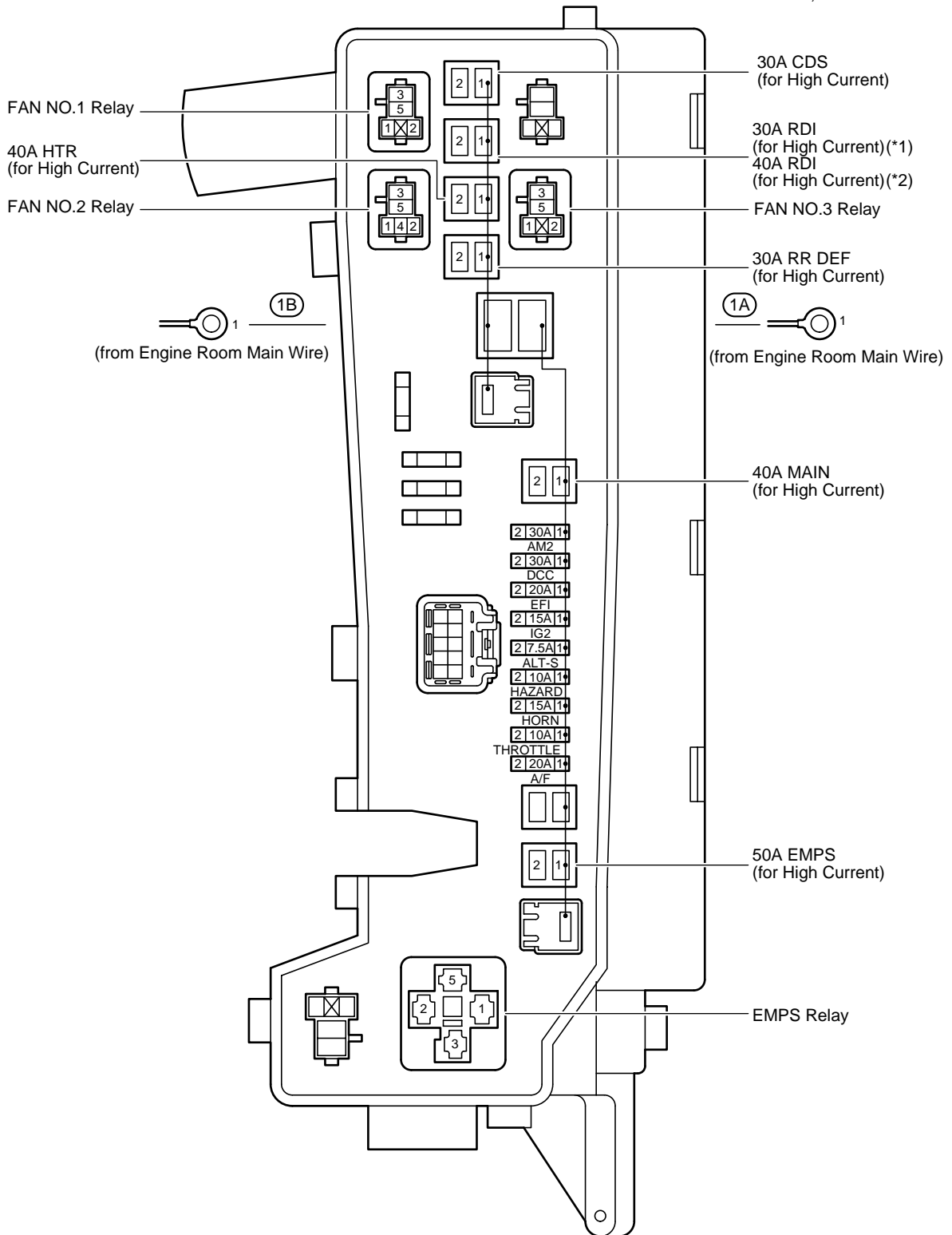
① : Engine Room R/B No.1

○ : Engine Room J/B No.1

Engine Compartment Left (See Page 20)

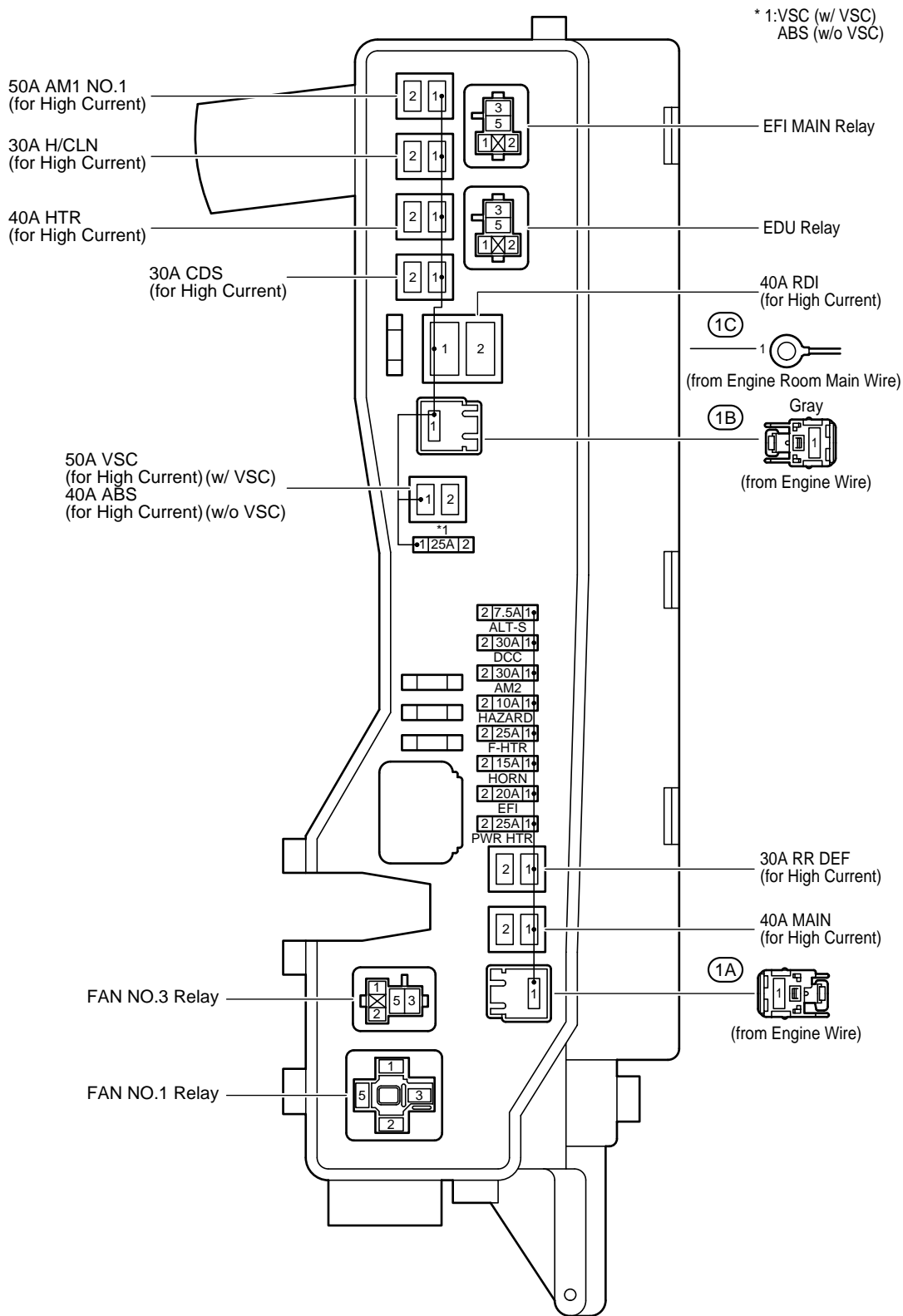
(Gasoline)

* 1:1AZ-FSE, 1AZ-FE
* 2:1ZZ-FE, 3ZZ-FE



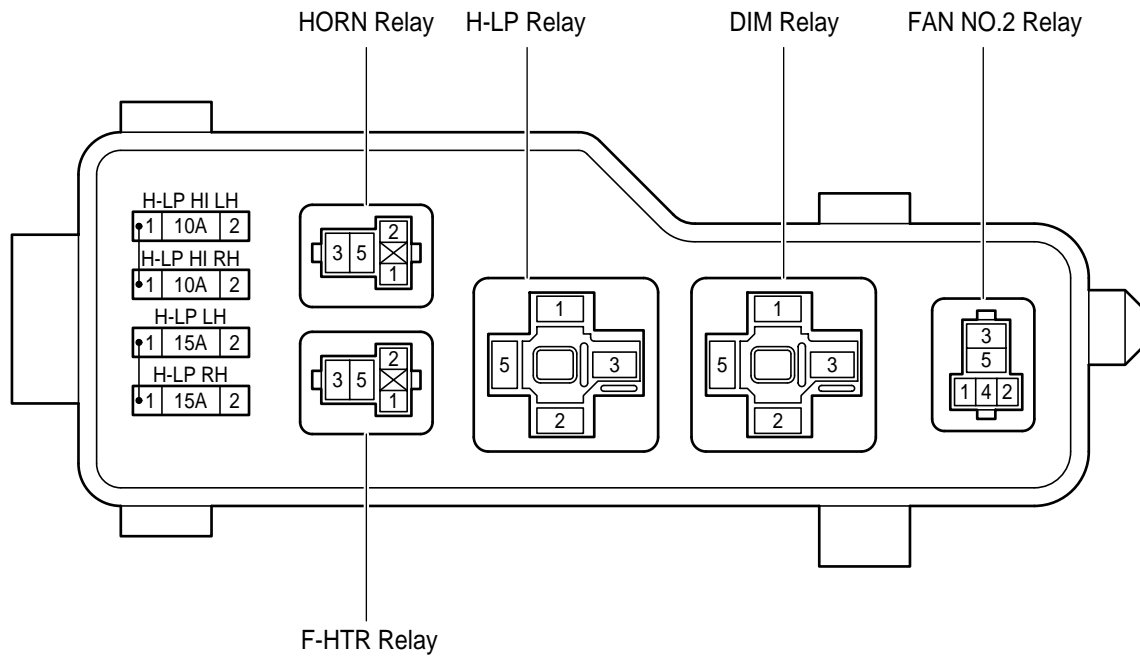
① : Engine Room R/B No.1
 ○ : Engine Room J/B No.1
Engine Compartment Left (See Page 20)

(1CD-FTV)

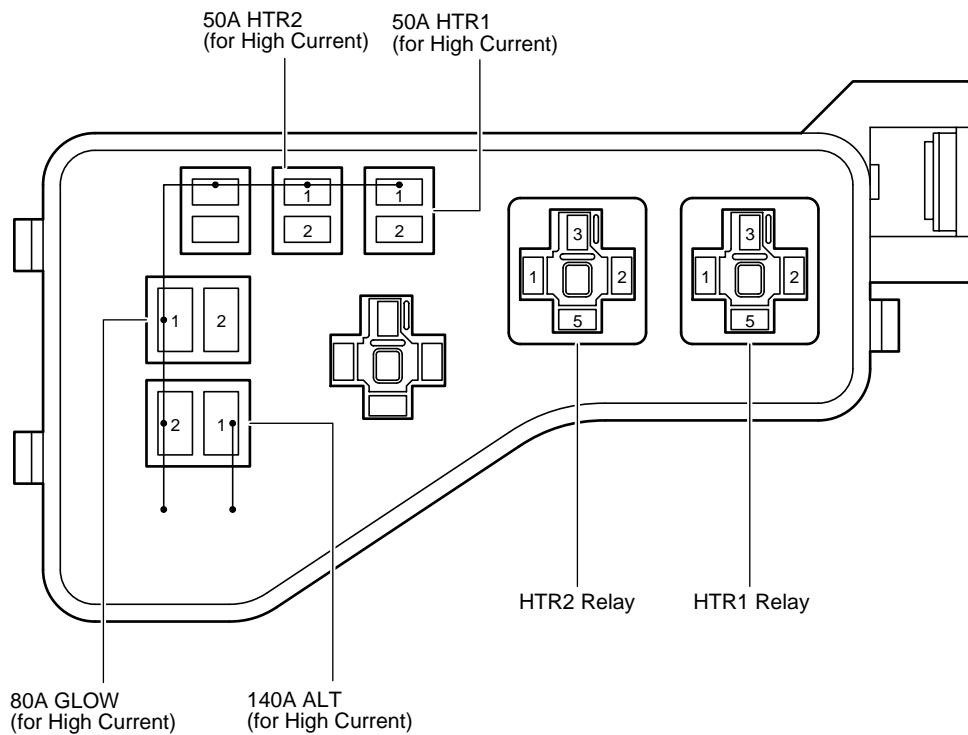


F RELAY LOCATIONS

② : Engine Room R/B No.2 Near the Radiator Fan (See Page 20)



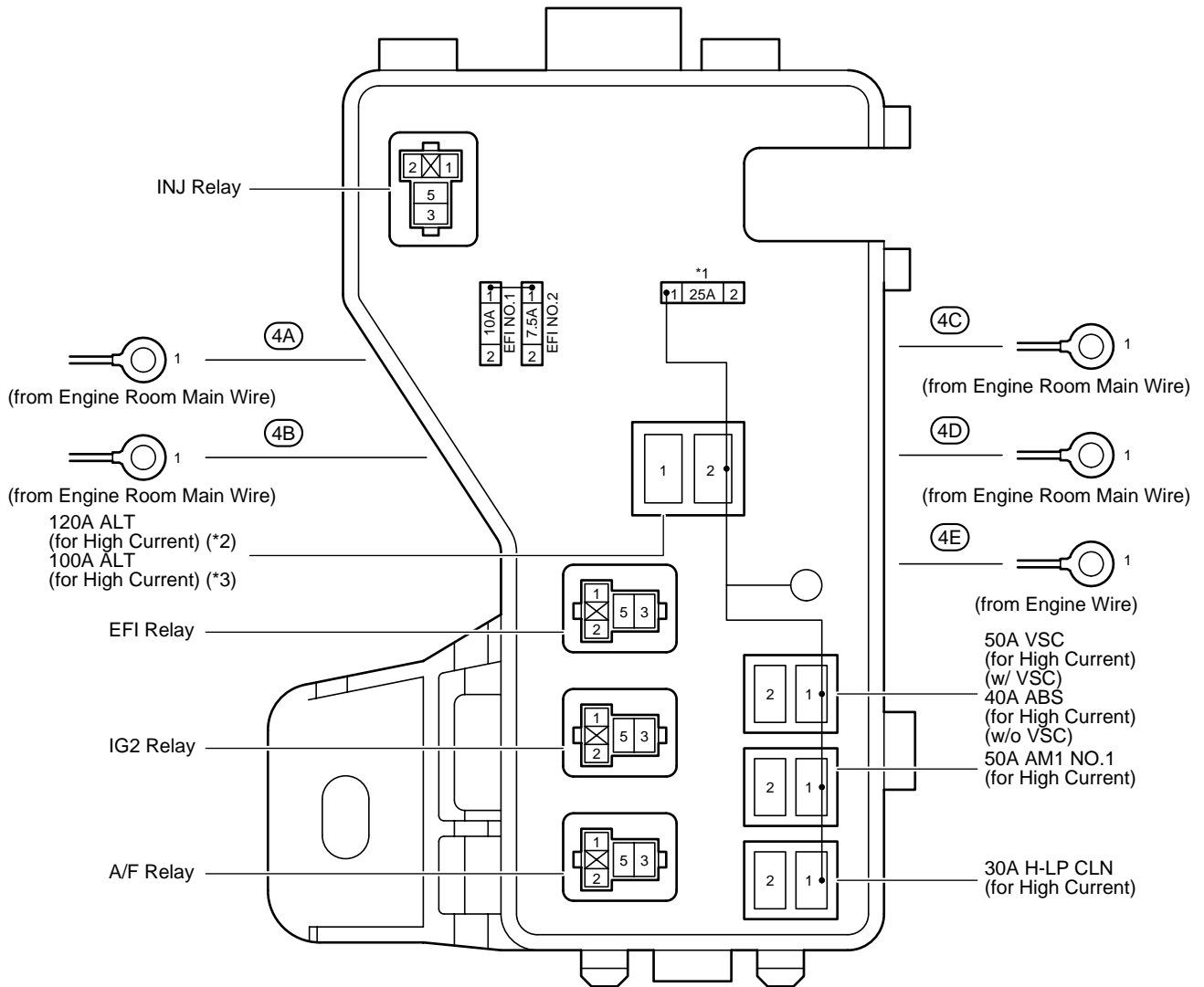
③ : Engine Room R/B No.3 Left Side of the Suspension Tower (See Page 20)
(1CD-FTV)



<p>④ : Engine Room R/B No.4</p> <p>○ : Engine Room J/B No.4</p>	<p>Left Side of the Suspension Tower (See Page 20)</p>
---	---

(Gasoline)

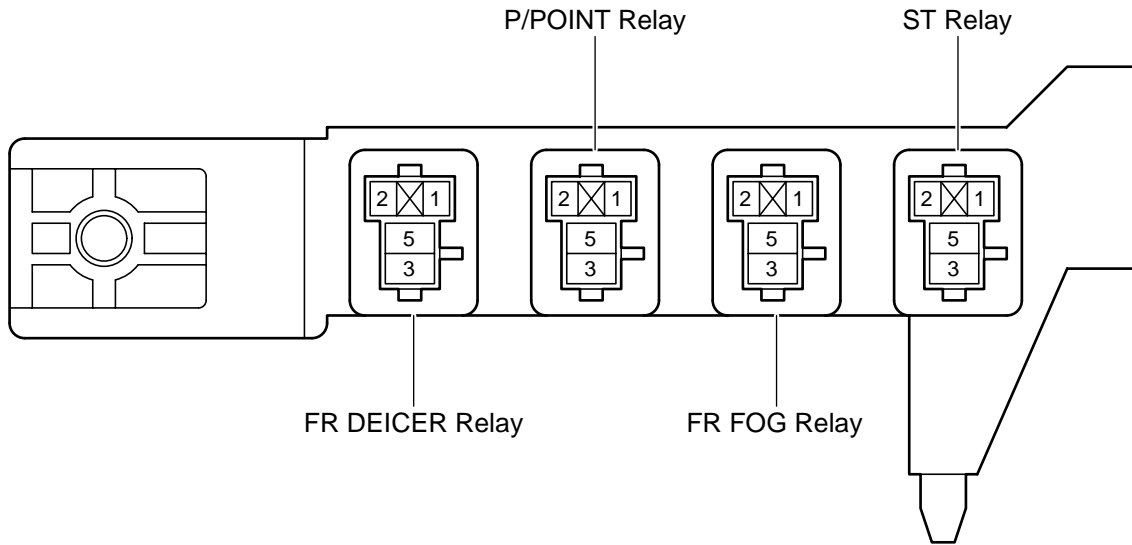
- * 1:VSC (w/ VSC)
ABS (w/o VSC)
- * 2:1AZ-FSE, 1AZ-FE
- * 3:1ZZ-FE, 3ZZ-FE



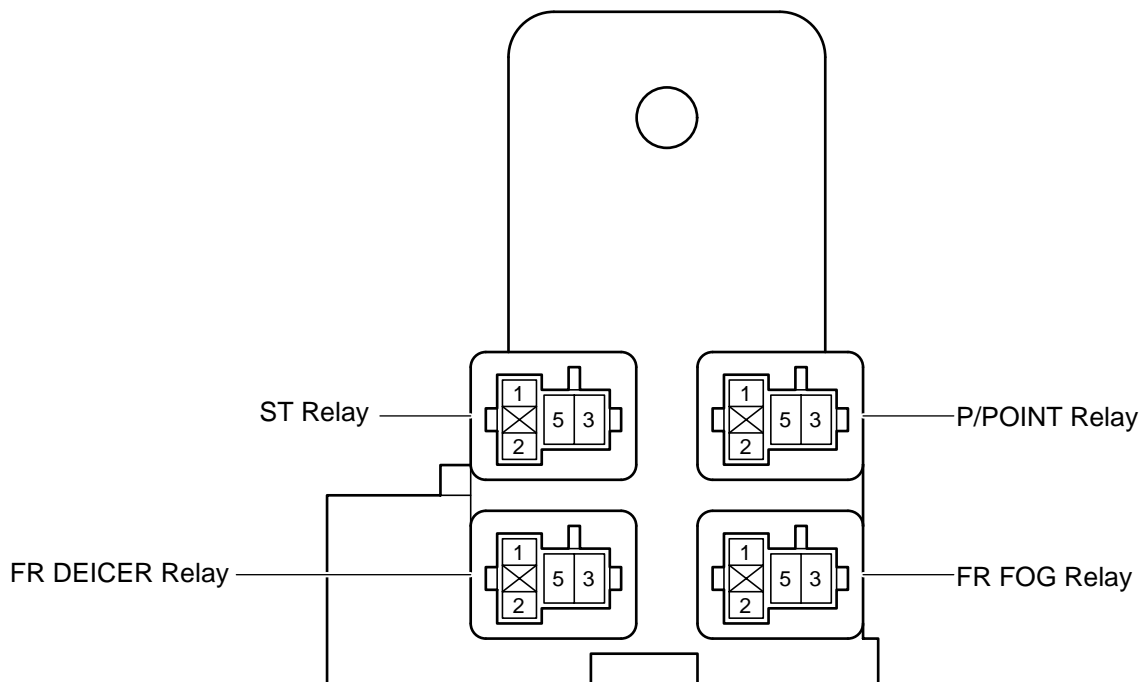
F RELAY LOCATIONS

⑤ : Driver Side R/B	LHD : Left Side of the Instrument Panel (See Page 21)
	RHD : Instrument Panel Reinforcement LH (See Page 21)

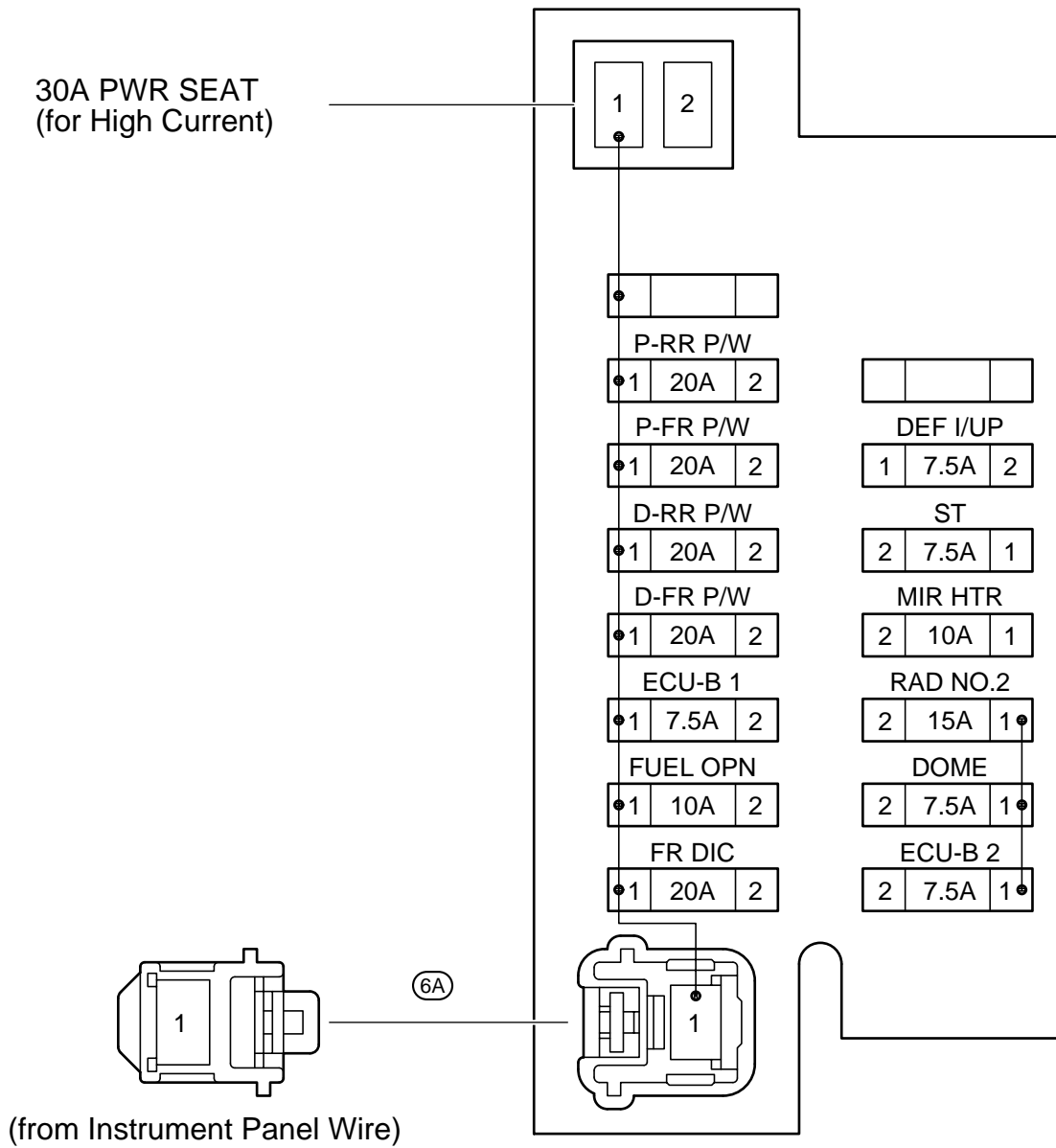
(LHD)



(RHD)

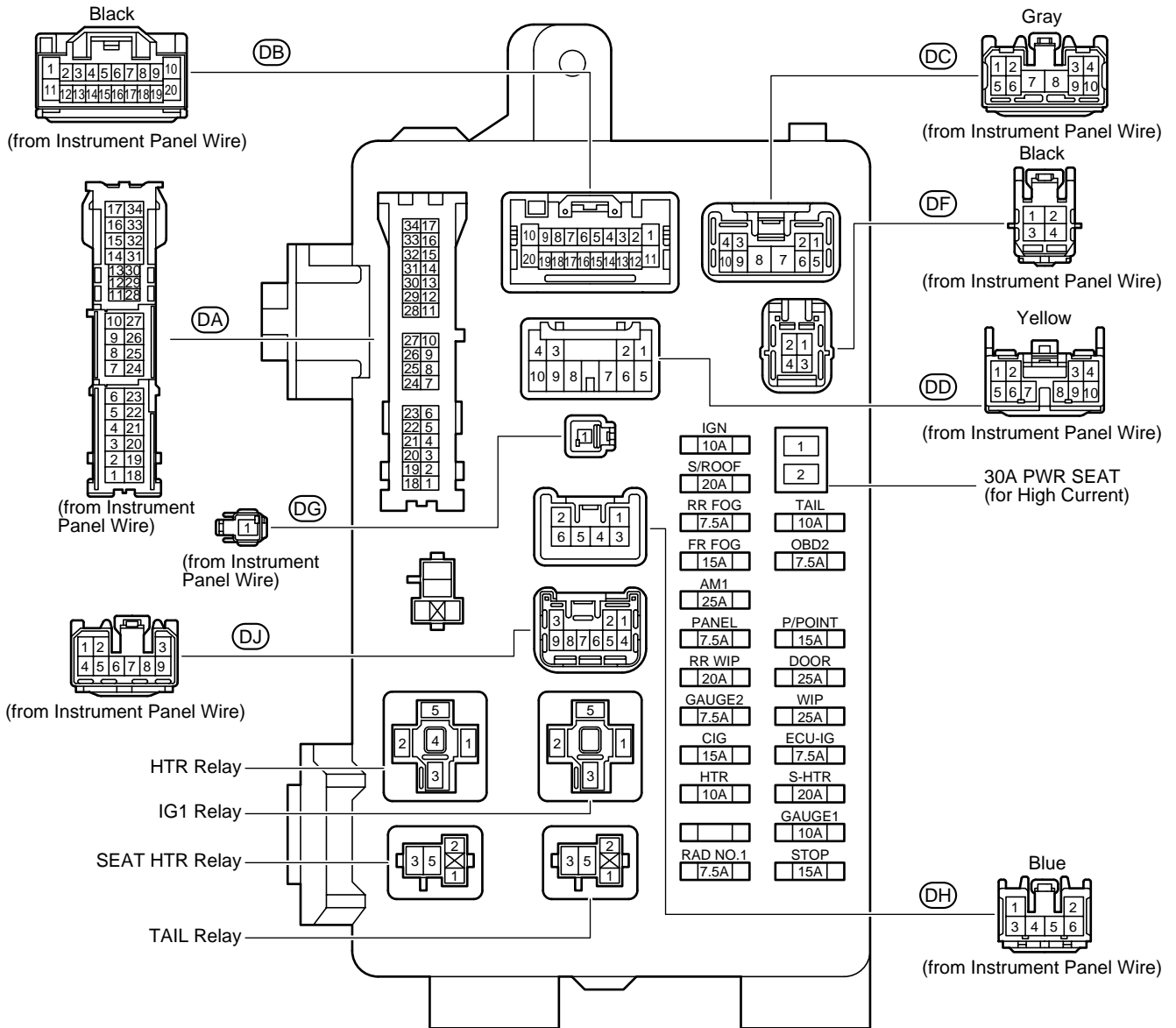


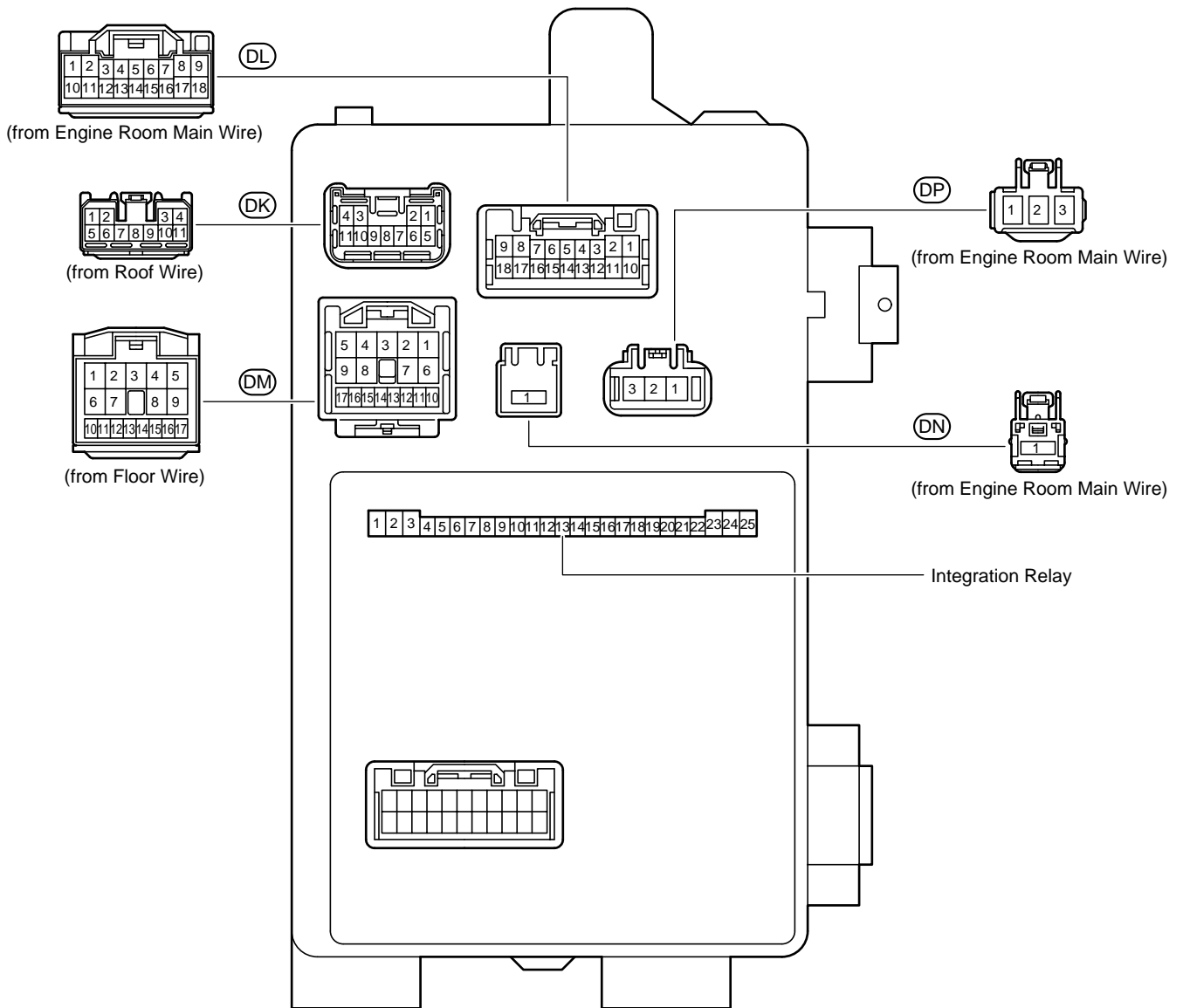
⑥ : Fuse Block	Lower Finish Panel (See Page 21)
○ : J/B No.6	



F RELAY LOCATIONS

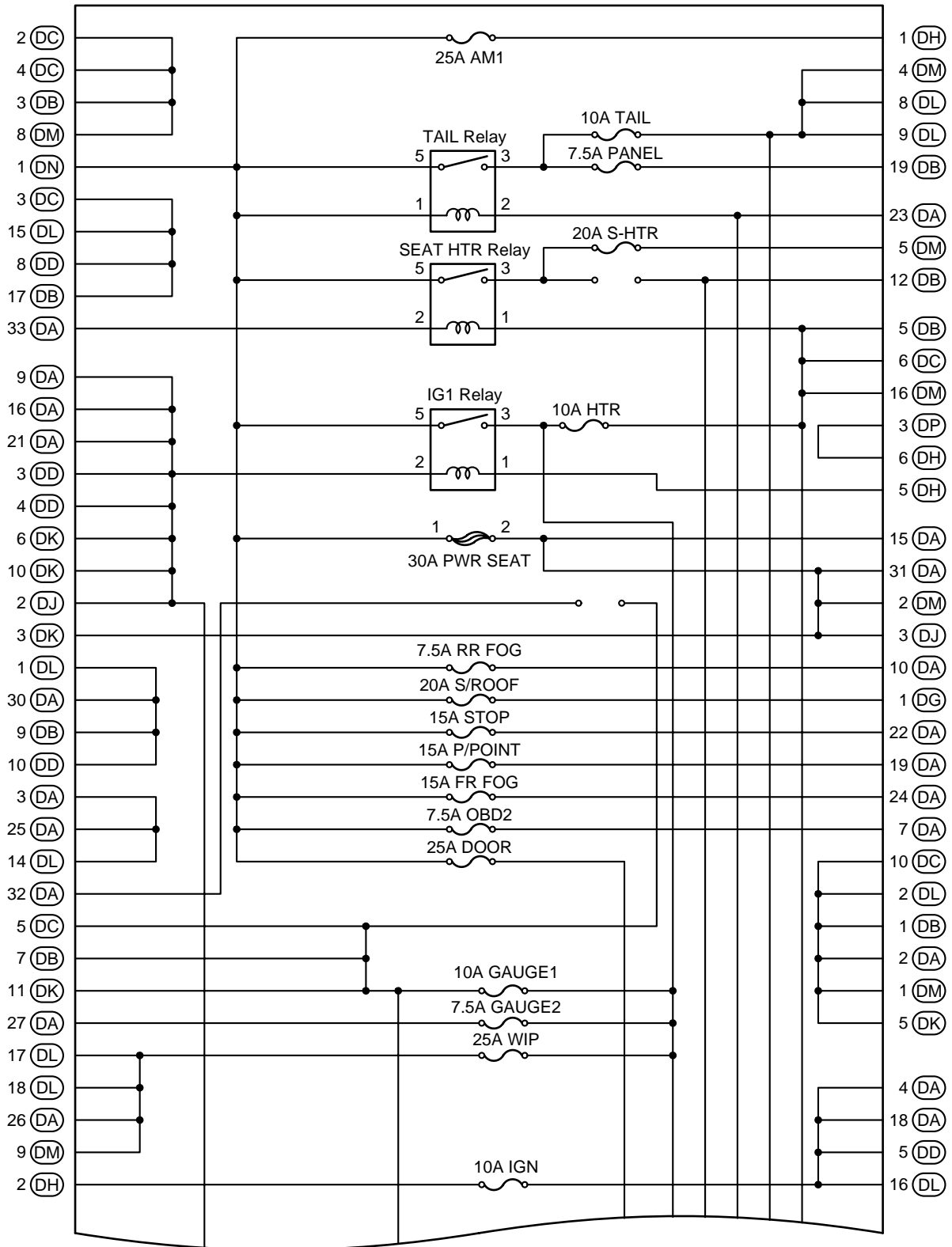
○ : Driver Side J/B Left Side of the Instrument Panel (See Page 21)





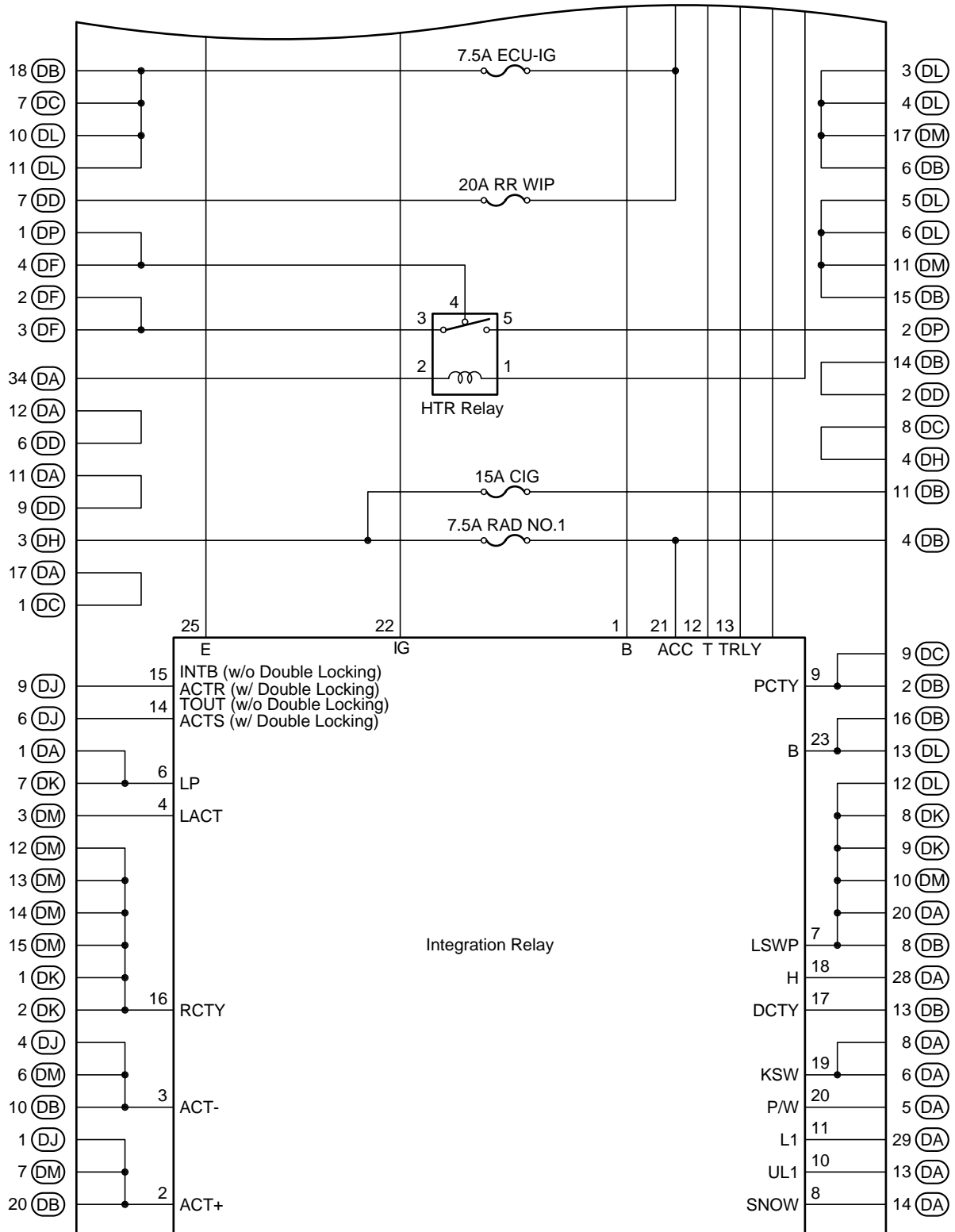
F RELAY LOCATIONS

[Driver Side J/B Inner Circuit]



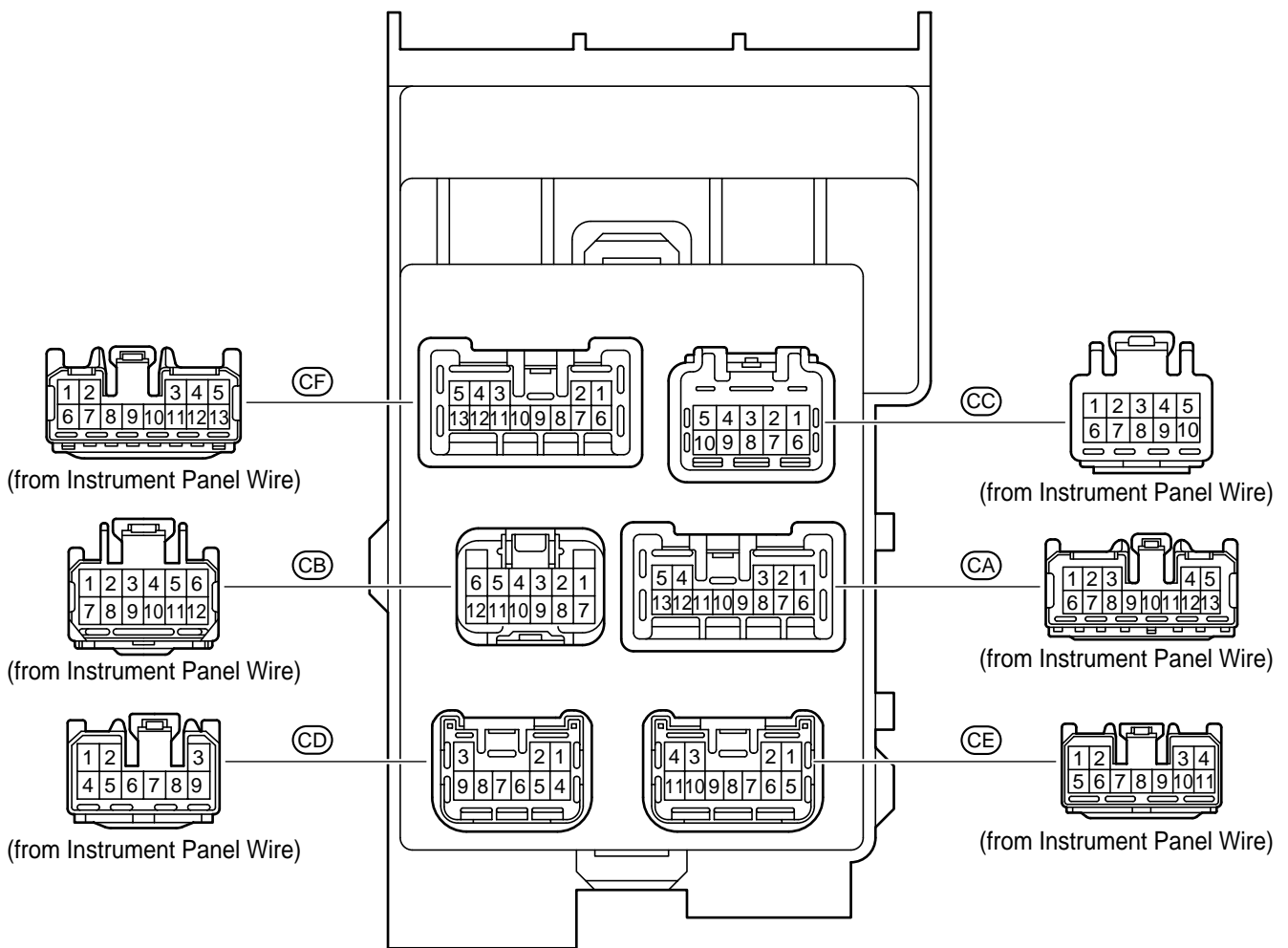
(Cont. Next Page)

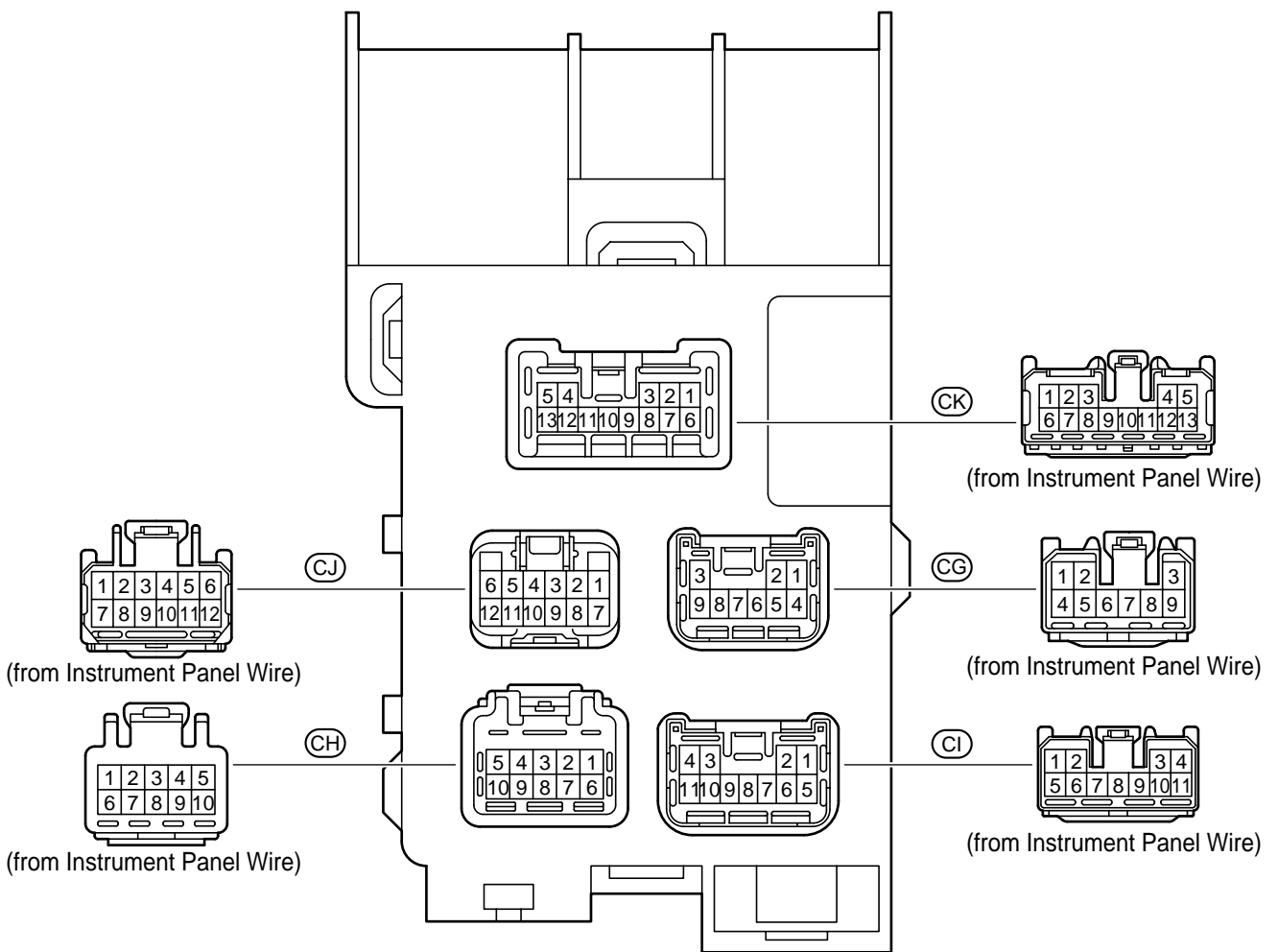
(Cont'd)



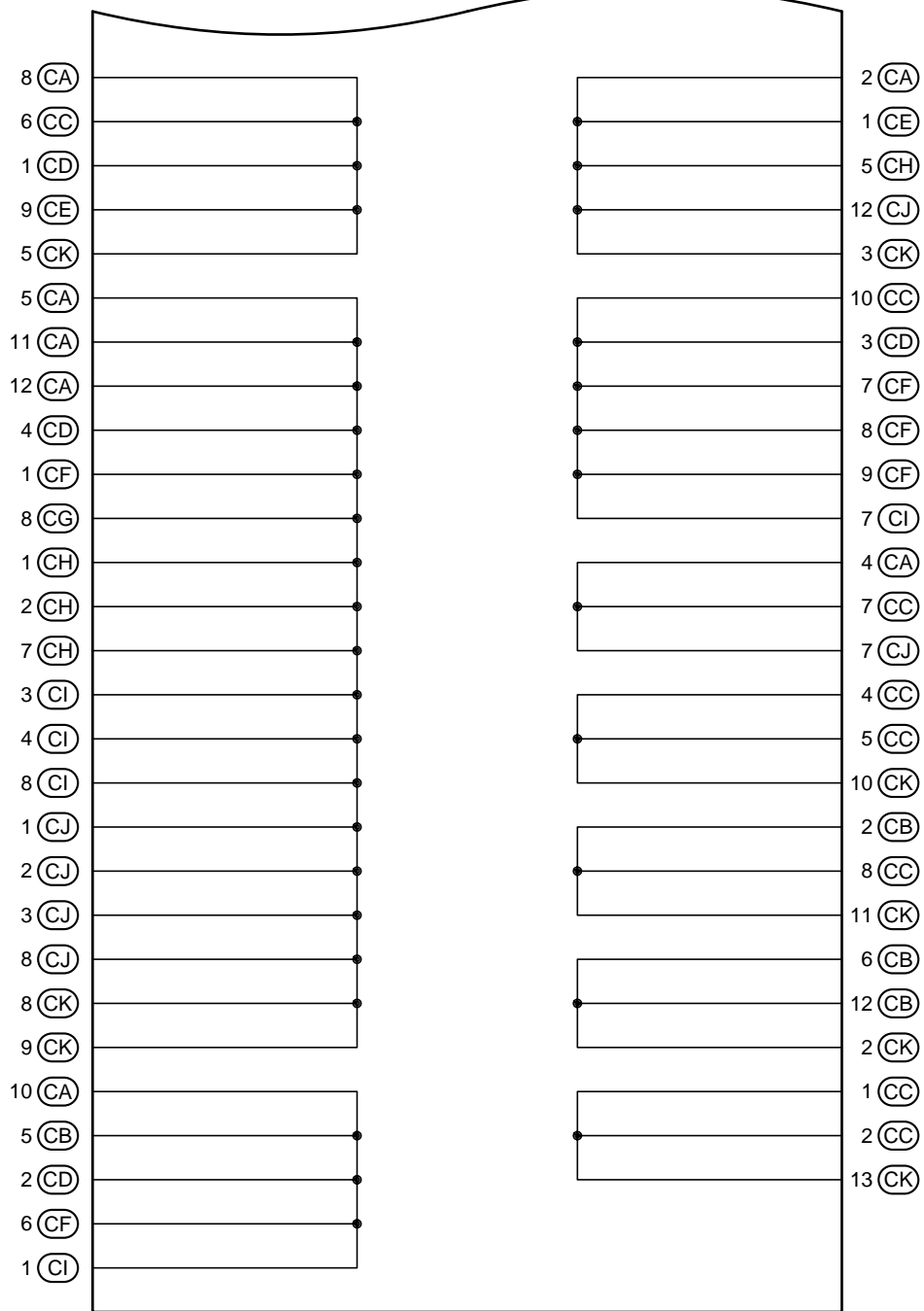
F RELAY LOCATIONS

○ : Center J/B Instrument Panel Reinforcement RH (See Page 21)





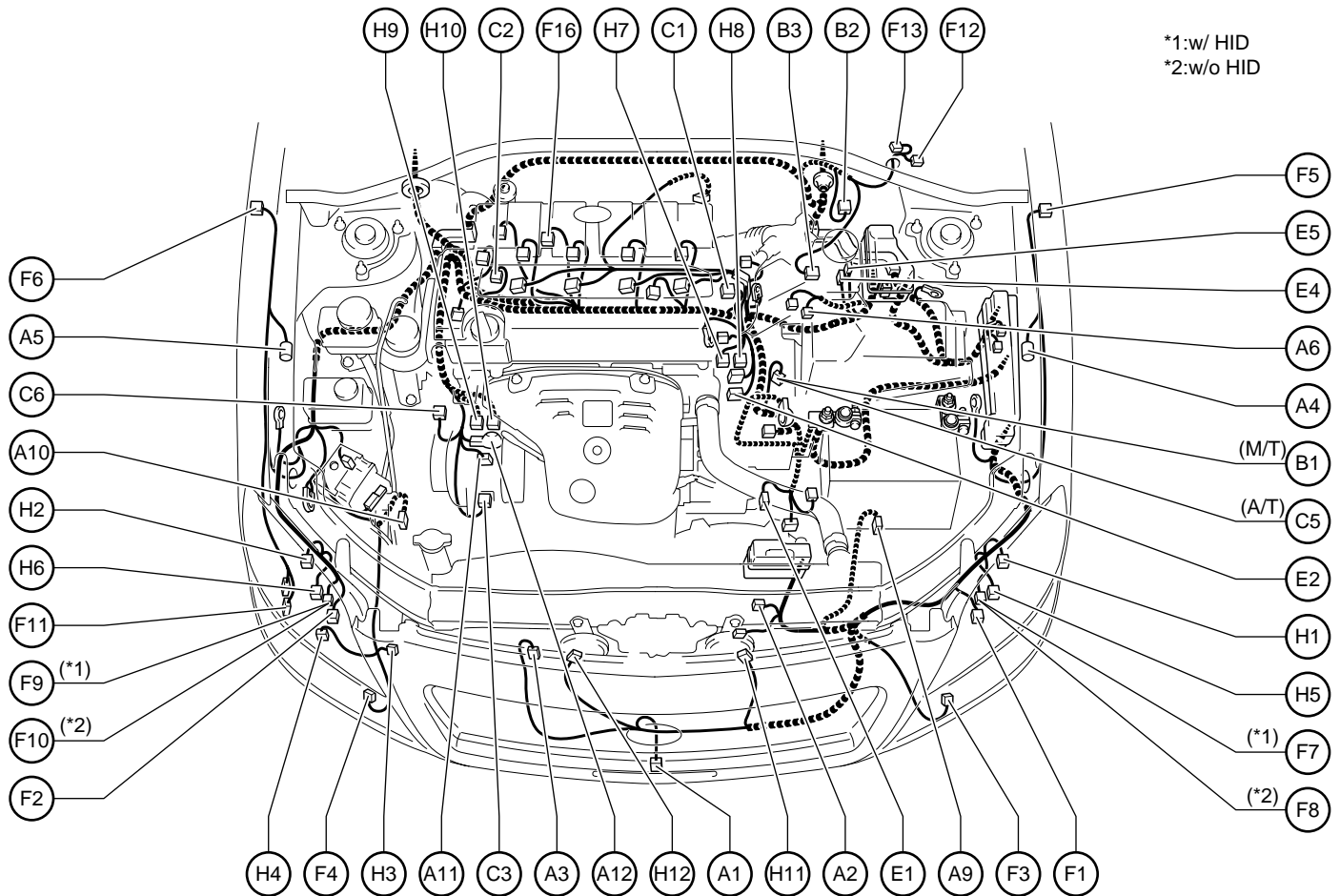
(Cont'd)



G ELECTRICAL WIRING ROUTING

Position of Parts in Engine Compartment

[LHD : 1AZ-FSE]

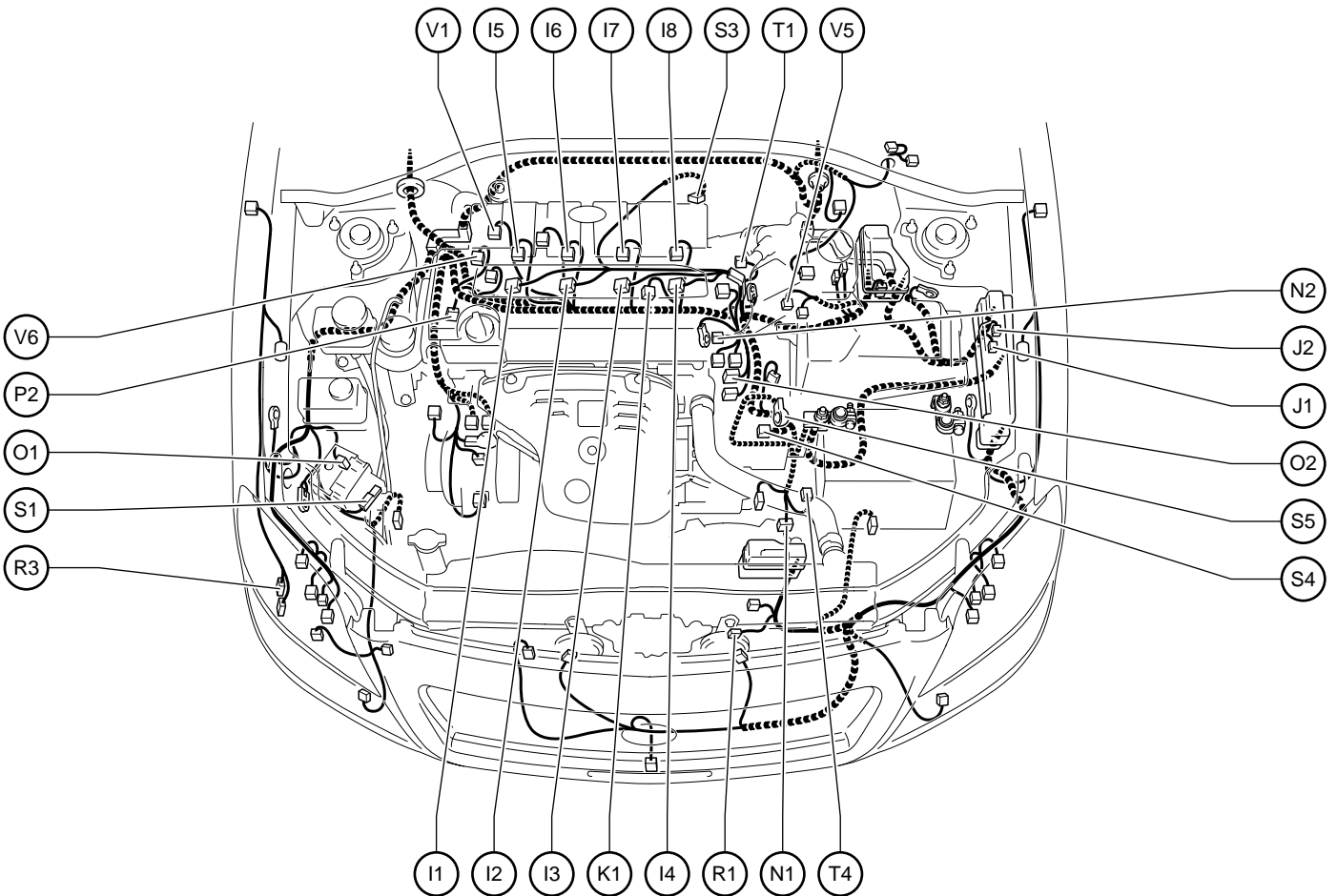


- A 1 A/C Ambient Temp. Sensor
- A 2 A/C Condenser Fan Motor
- A 3 A/C Pressure Sensor
- A 4 ABS Speed Sensor Front LH
- A 5 ABS Speed Sensor Front RH
- A 6 Air Flow Meter
- A 9 Airbag Sensor Front LH
- A 10 Airbag Sensor Front RH
- A 11 Alternator
- A 12 Alternator
- B 1 Back-Up Light SW
- B 2 Brake Booster Pressure Sensor
- B 3 Brake Fluid Level Warning SW
- C 1 Camshaft Position Sensor
- C 2 Camshaft Timing Oil Control Valve
- C 3 Compressor Assembly
- C 5 Counter Gear Speed Sensor
- C 6 Crankshaft Position Sensor
- E 1 ECT Solenoid
- E 2 EFI Water Temp. Sensor
- E 4 Electronic Driver Unit
- E 5 Electronic Driver Unit
- F 1 Front Clearance Light LH
- F 2 Front Clearance Light RH
- F 3 Front Fog Light LH

- F 4 Front Fog Light RH
- F 5 Front Side Turn Signal Light LH
- F 6 Front Side Turn Signal Light RH
- F 7 Front Turn Signal Light LH
Headlight Control ECU LH
- F 8 Front Turn Signal Light LH
Headlight LH (Low)
- F 9 Front Turn Signal Light RH
Headlight Control ECU RH
- F 10 Front Turn Signal Light RH
Headlight RH (Low)
- F 11 Front Washer Motor
- F 12 Front Window Deicer
- F 13 Front Wiper Motor
- F 16 Fuel Pressure Sensor
- H 1 Headlight Beam Level Control Actuator LH
- H 2 Headlight Beam Level Control Actuator RH
- H 3 Headlight Cleaner Control Relay
- H 4 Headlight Cleaner Motor
- H 5 Headlight LH (High)
- H 6 Headlight RH (High)
- H 7 Heated Oxygen Sensor (Bank 1 Sensor 1)
- H 8 Heated Oxygen Sensor (Bank 1 Sensor 2)
- H 9 Heated Oxygen Sensor (Bank 2 Sensor 1)
- H 10 Heated Oxygen Sensor (Bank 2 Sensor 2)
- H 11 Horn LH
- H 12 Horn RH

Position of Parts in Engine Compartment

[LHD : 1AZ-FSE]



I 1 Ignition Coil and Igniter No.1
 I 2 Ignition Coil and Igniter No.2
 I 3 Ignition Coil and Igniter No.3
 I 4 Ignition Coil and Igniter No.4
 I 5 Injector No.1
 I 6 Injector No.2
 I 7 Injector No.3
 I 8 Injector No.4

J 1 Junction Connector
 J 2 Junction Connector

K 1 Knock Sensor

N 1 Neutral Start SW
 N 2 Noise Filter (Ignition)

O 1 Oil Pressure Sensor
 O 2 Oil Pressure SW

P 2 Power Steering Oil Pressure SW

R 1 Radiator Fan Motor
 R 3 Rear Washer Motor

S 1 Skid Control ECU with Actuator
 S 3 Spill Valve
 S 4 Starter
 S 5 Starter

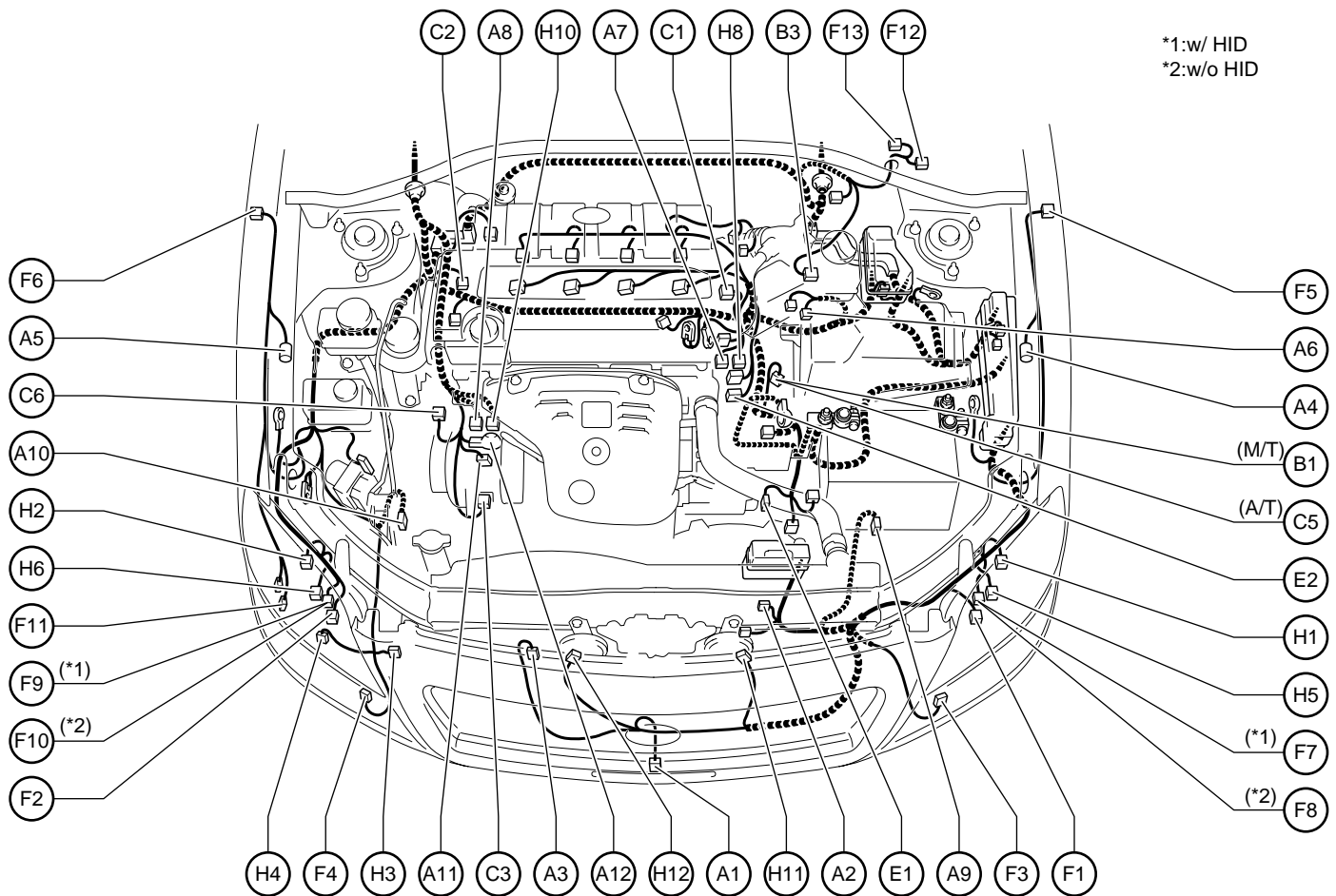
T 1 Throttle Control Motor and Position Sensor
 T 4 Turbine Speed Sensor

V 1 Vacuum Sensor
 V 5 VSV (EVAP)
 V 6 VSV (Intake Air Control Valve)

G ELECTRICAL WIRING ROUTING

Position of Parts in Engine Compartment

[LHD : 1AZ-FE]

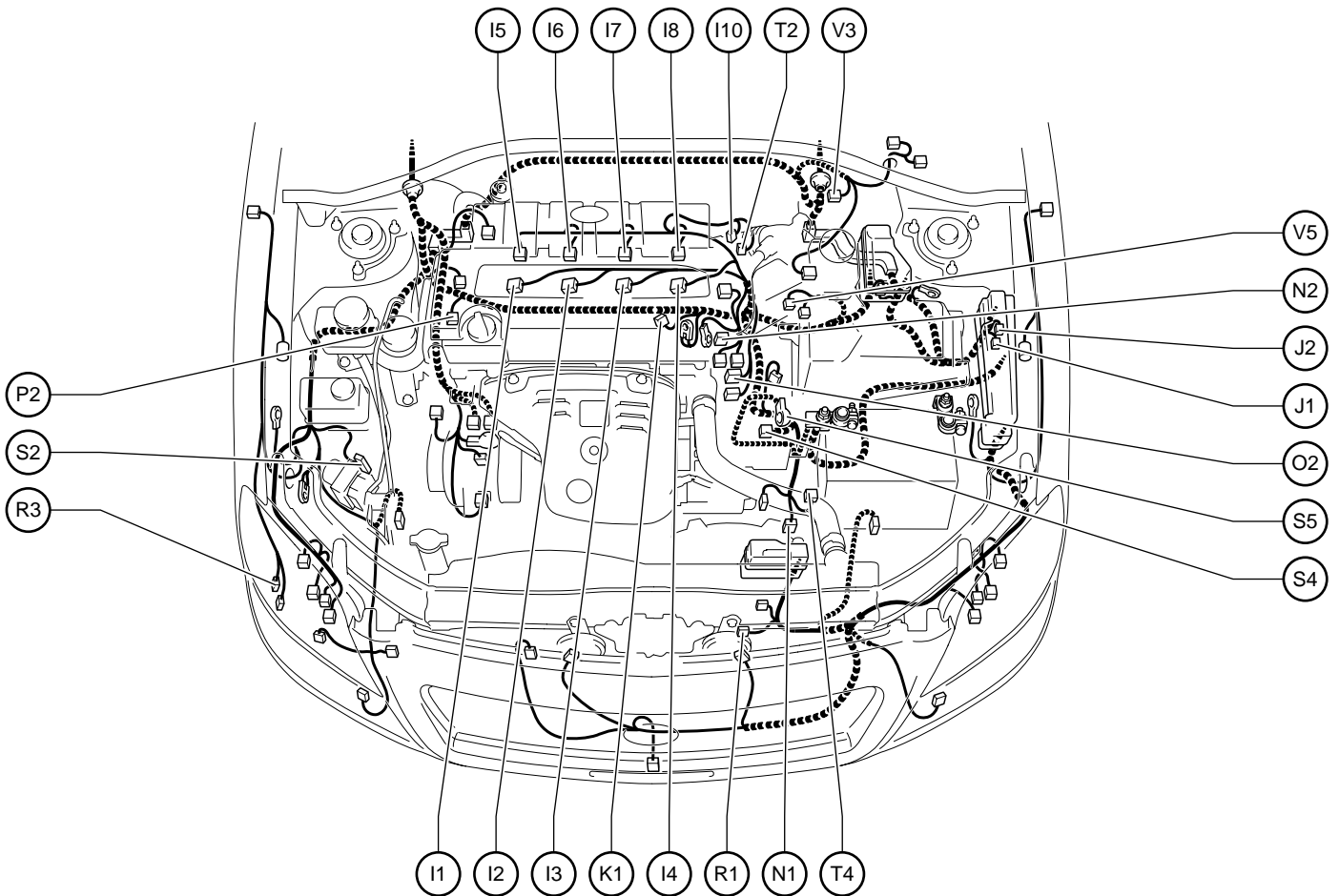


*1:w/ HID
*2:w/o HID

- | | |
|---|--|
| A 1 A/C Ambient Temp. Sensor | F 3 Front Fog Light LH |
| A 2 A/C Condenser Fan Motor | F 4 Front Fog Light RH |
| A 3 A/C Pressure Sensor | F 5 Front Side Turn Signal Light LH |
| A 4 ABS Speed Sensor Front LH | F 6 Front Side Turn Signal Light RH |
| A 5 ABS Speed Sensor Front RH | F 7 Front Turn Signal Light LH |
| A 6 Air Flow Meter | Headlight Control ECU LH |
| A 7 Air Fuel Ratio Sensor (Bank 1 Sensor 1) | F 8 Front Turn Signal Light LH |
| A 8 Air Fuel Ratio Sensor (Bank 2 Sensor 1) | Headlight LH (Low) |
| A 9 Airbag Sensor Front LH | F 9 Front Turn Signal Light RH |
| A 10 Airbag Sensor Front RH | Headlight Control ECU RH |
| A 11 Alternator | F 10 Front Turn Signal Light RH |
| A 12 Alternator | Headlight RH (Low) |
| | F 11 Front Washer Motor |
| B 1 Back-Up Light SW | F 12 Front Window Deicer |
| B 3 Brake Fluid Level Warning SW | F 13 Front Wiper Motor |
| C 1 Camshaft Position Sensor | H 1 Headlight Beam Level Control Actuator LH |
| C 2 Camshaft Timing Oil Control Valve | H 2 Headlight Beam Level Control Actuator RH |
| C 3 Compressor Assembly | H 3 Headlight Cleaner Control Relay |
| C 5 Counter Gear Speed Sensor | H 4 Headlight Cleaner Motor |
| C 6 Crankshaft Position Sensor | H 5 Headlight LH (High) |
| E 1 ECT Solenoid | H 6 Headlight RH (High) |
| E 2 EFI Water Temp. Sensor | H 8 Heated Oxygen Sensor (Bank 1 Sensor 2) |
| F 1 Front Clearance Light LH | H 10 Heated Oxygen Sensor (Bank 2 Sensor 2) |
| F 2 Front Clearance Light RH | H 11 Horn LH |
| | H 12 Horn RH |

Position of Parts in Engine Compartment

[LHD : 1AZ-FE]



I 1 Ignition Coil and Igniter No.1
 I 2 Ignition Coil and Igniter No.2
 I 3 Ignition Coil and Igniter No.3
 I 4 Ignition Coil and Igniter No.4
 I 5 Injector No.1
 I 6 Injector No.2
 I 7 Injector No.3
 I 8 Injector No.4
 I 10 ISC Valve

J 1 Junction Connector
 J 2 Junction Connector

K 1 Knock Sensor

N 1 Neutral Start SW
 N 2 Noise Filter (Ignition)

O 2 Oil Pressure SW

P 2 Power Steering Oil Pressure SW

R 1 Radiator Fan Motor
 R 3 Rear Washer Motor

S 2 Skid Control ECU with Actuator
 S 4 Starter
 S 5 Starter

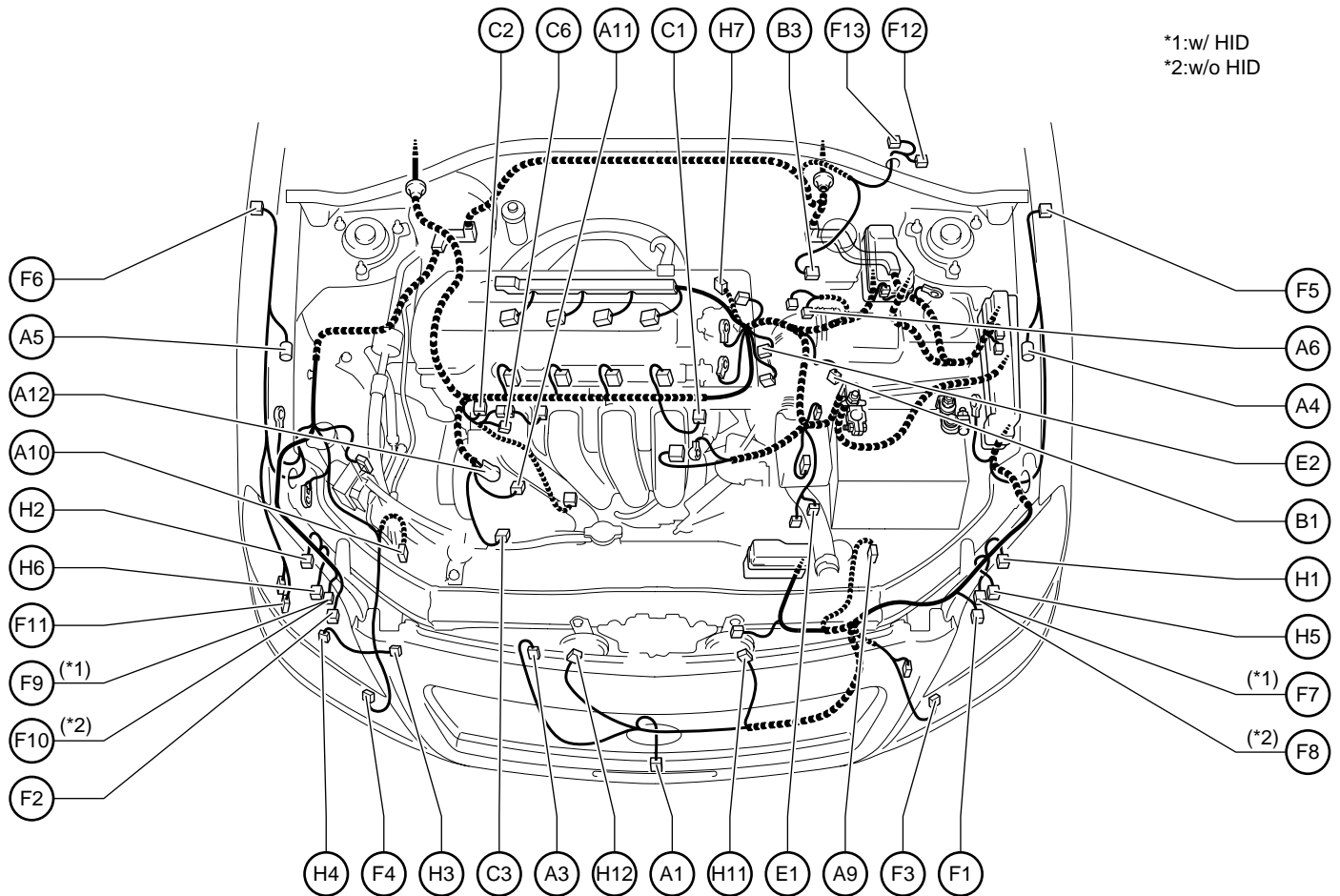
T 2 Throttle Position Sensor
 T 4 Turbine Speed Sensor

V 3 Variable Resistor
 V 5 VSV (EVAP)

G ELECTRICAL WIRING ROUTING

Position of Parts in Engine Compartment

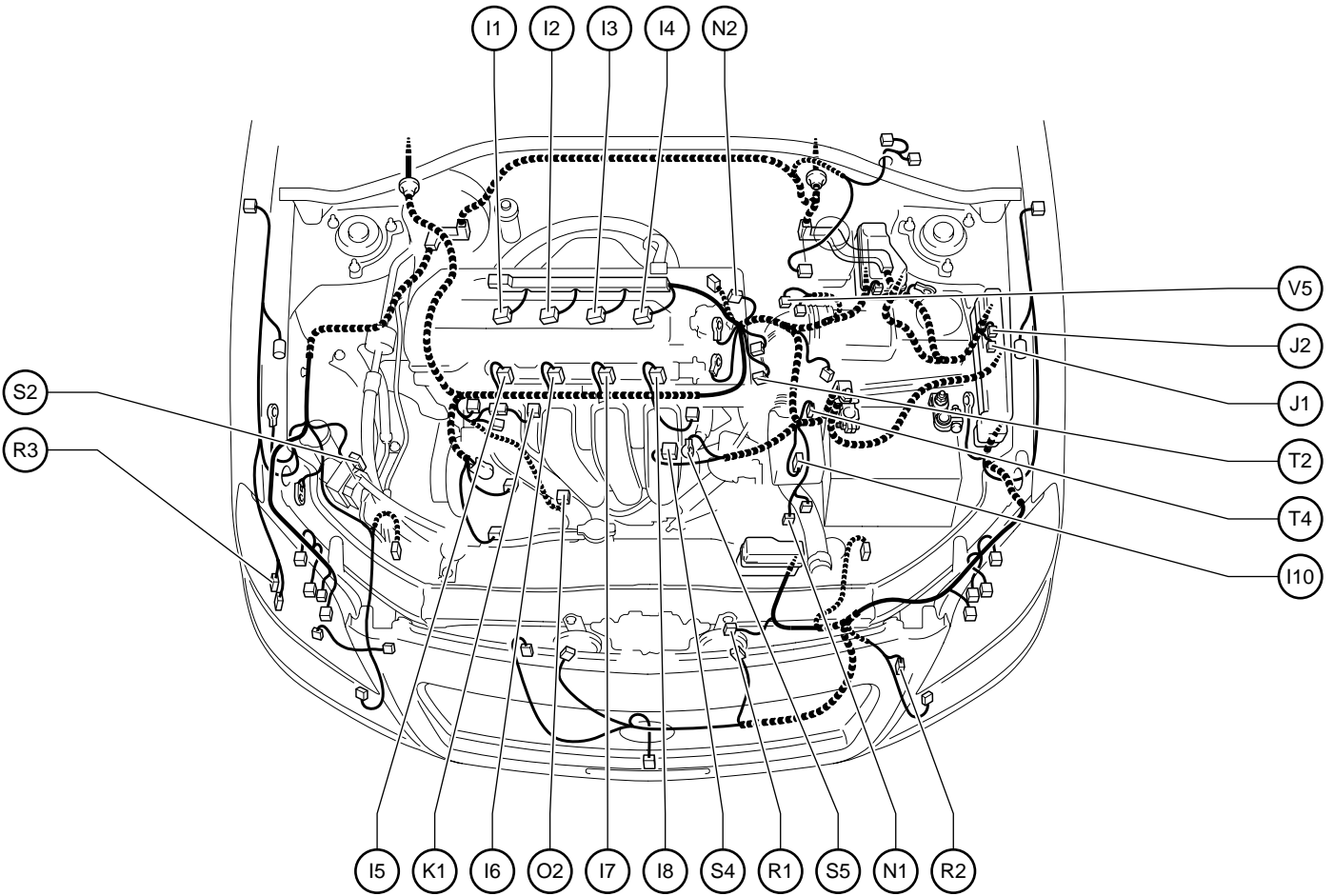
[LHD : 1ZZ-FE, 3ZZ-FE]



- | | |
|---------------------------------------|--|
| A 1 A/C Ambient Temp. Sensor | F 4 Front Fog Light RH |
| A 3 A/C Pressure Sensor | F 5 Front Side Turn Signal Light LH |
| A 4 ABS Speed Sensor Front LH | F 6 Front Side Turn Signal Light RH |
| A 5 ABS Speed Sensor Front RH | F 7 Front Turn Signal Light LH |
| A 6 Air Flow Meter | Headlight Control ECU LH |
| A 9 Airbag Sensor Front LH | F 8 Front Turn Signal Light LH |
| A 10 Airbag Sensor Front RH | Headlight LH (Low) |
| A 11 Alternator | F 9 Front Turn Signal Light RH |
| A 12 Alternator | Headlight Control ECU RH |
| B 1 Back-Up Light SW | F 10 Front Turn Signal Light RH |
| B 3 Brake Fluid Level Warning SW | Headlight RH (Low) |
| C 1 Camshaft Position Sensor | F 11 Front Washer Motor |
| C 2 Camshaft Timing Oil Control Valve | F 12 Front Window Deicer |
| C 3 Compressor Assembly | F 13 Front Wiper Motor |
| C 6 Crankshaft Position Sensor | H 1 Headlight Beam Level Control Actuator LH |
| E 1 ECT Solenoid | H 2 Headlight Beam Level Control Actuator RH |
| E 2 EFI Water Temp. Sensor | H 3 Headlight Cleaner Control Relay |
| F 1 Front Clearance Light LH | H 4 Headlight Cleaner Motor |
| F 2 Front Clearance Light RH | H 5 Headlight LH (High) |
| F 3 Front Fog Light LH | H 6 Headlight RH (High) |
| | H 7 Heated Oxygen Sensor (Bank 1 Sensor 1) |
| | H 11 Horn LH |
| | H 12 Horn RH |

Position of Parts in Engine Compartment

[LHD : 1ZZ-FE, 3ZZ-FE]



I 1 Ignition Coil and Igniter No.1
 I 2 Ignition Coil and Igniter No.2
 I 3 Ignition Coil and Igniter No.3
 I 4 Ignition Coil and Igniter No.4
 I 5 Injector No.1
 I 6 Injector No.2
 I 7 Injector No.3
 I 8 Injector No.4
 I 10 ISC Valve

O 2 Oil Pressure SW

R 1 Radiator Fan Motor
 R 2 Radiator Fan Resistor
 R 3 Rear Washer Motor

S 2 Skid Control ECU with Actuator
 S 4 Starter
 S 5 Starter

J 1 Junction Connector
 J 2 Junction Connector

T 2 Throttle Position Sensor
 T 4 Turbine Speed Sensor

K 1 Knock Sensor

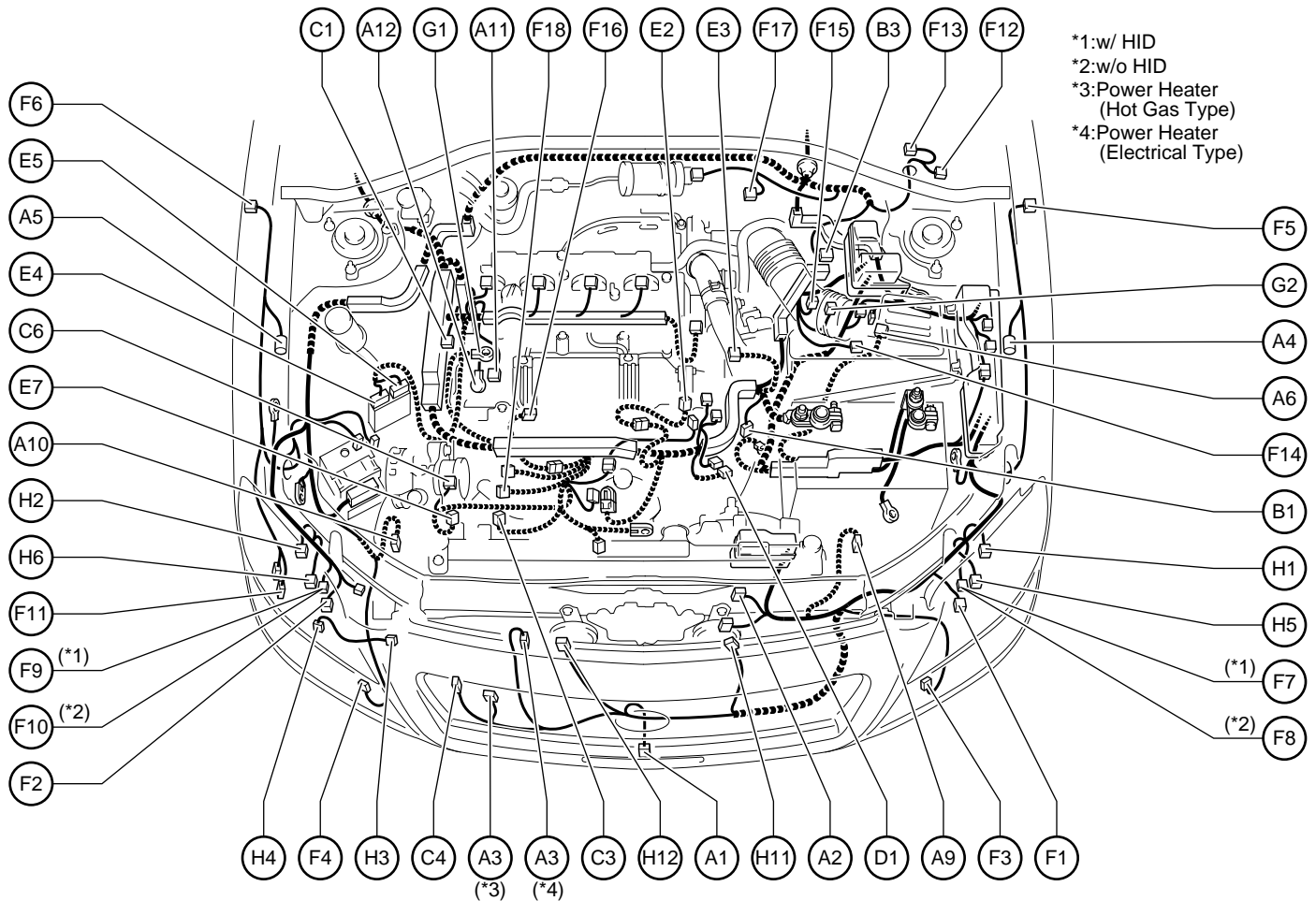
V 5 VSV (EVAP)

N 1 Neutral Start SW
 N 2 Noise Filter (Ignition)

G ELECTRICAL WIRING ROUTING

Position of Parts in Engine Compartment

[LHD : 1CD-FTV]



- *1:w/ HID
- *2:w/o HID
- *3:Power Heater (Hot Gas Type)
- *4:Power Heater (Electrical Type)

- A 1 A/C Ambient Temp. Sensor
- A 2 A/C Condenser Fan Motor
- A 3 A/C Pressure Sensor
- A 4 ABS Speed Sensor Front LH
- A 5 ABS Speed Sensor Front RH
- A 6 Air Flow Meter
- A 9 Airbag Sensor Front LH
- A 10 Airbag Sensor Front RH
- A 11 Alternator
- A 12 Alternator

- B 1 Back-Up Light SW
- B 3 Brake Fluid Level Warning SW

- C 1 Camshaft Position Sensor
- C 3 Compressor Assembly
- C 4 Condenser Assembly
- C 6 Crankshaft Position Sensor

- D 1 Diesel Throttle Control Motor

- E 2 EFI Water Temp. Sensor
- E 3 EGR Valve Control Motor
- E 4 Electronic Driver Unit
- E 5 Electronic Driver Unit
- E 7 Engine Oil Level Sensor

- F 1 Front Clearance Light LH
- F 2 Front Clearance Light RH
- F 3 Front Fog Light LH
- F 4 Front Fog Light RH

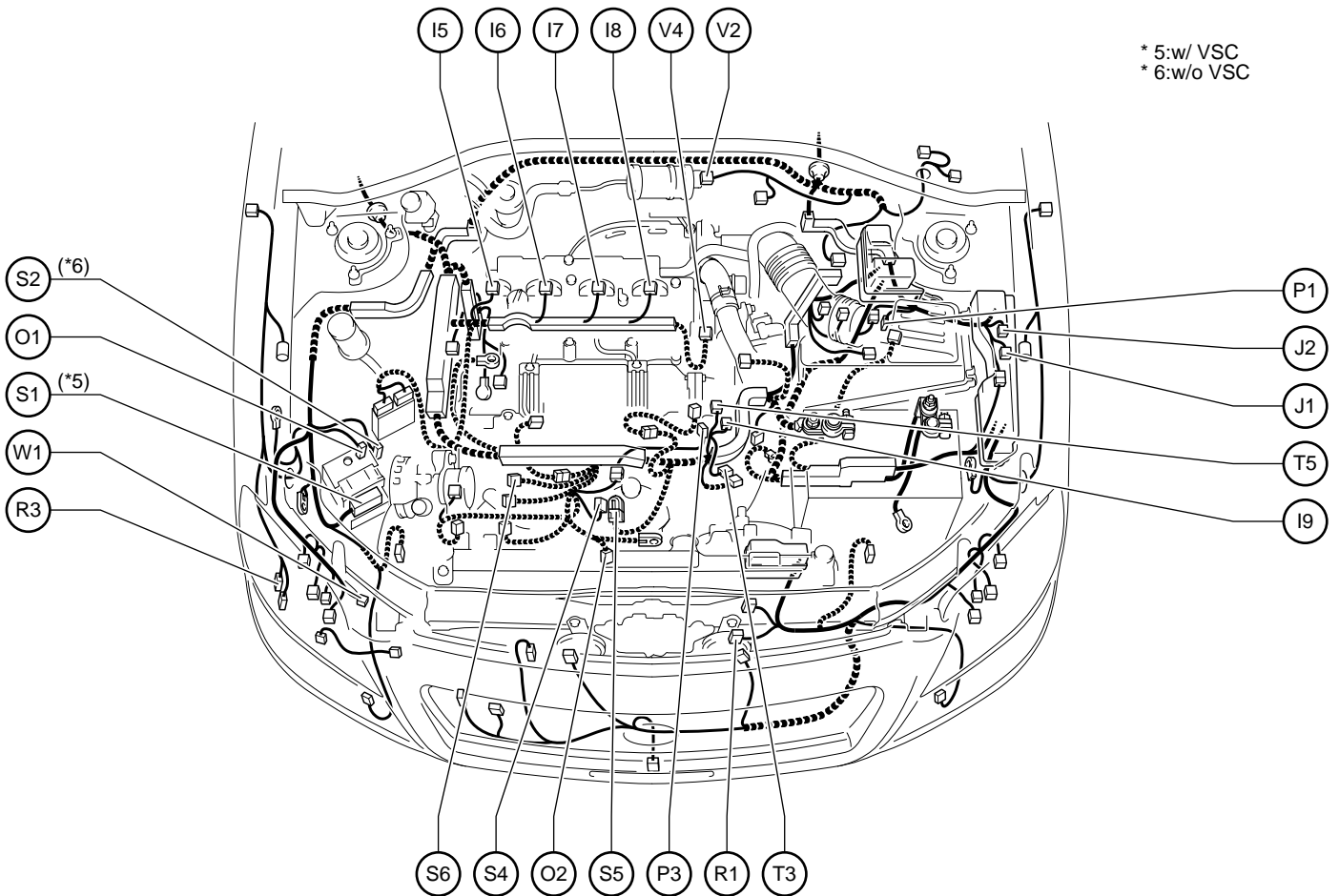
- F 5 Front Side Turn Signal Light LH
- F 6 Front Side Turn Signal Light RH
- F 7 Front Turn Signal Light LH Headlight Control ECU LH
- F 8 Front Turn Signal Light LH Headlight LH (Low)
- F 9 Front Turn Signal Light RH Headlight Control ECU RH
- F 10 Front Turn Signal Light RH Headlight RH (Low)
- F 11 Front Washer Motor
- F 12 Front Window Deicer
- F 13 Front Wiper Motor
- F 14 Fuel Filter Warning SW
- F 15 Fuel Heater
- F 16 Fuel Pressure Sensor
- F 17 Fuel Pump
- F 18 Fuel Temp. Sensor

- G 1 Glow Plug
- G 2 Glow Plug Relay

- H 1 Headlight Beam Level Control Actuator LH
- H 2 Headlight Beam Level Control Actuator RH
- H 3 Headlight Cleaner Control Relay
- H 4 Headlight Cleaner Motor
- H 5 Headlight LH (High)
- H 6 Headlight RH (High)
- H 11 Horn LH
- H 12 Horn RH

Position of Parts in Engine Compartment

[LHD : 1CD-FTV]



* 5:w/ VSC
* 6:w/o VSC

I 5 Injector No.1
I 6 Injector No.2
I 7 Injector No.3
I 8 Injector No.4
I 9 Intake Air Temp. Sensor

J 1 Junction Connector
J 2 Junction Connector

O 1 Oil Pressure Sensor
O 2 Oil Pressure SW

P 1 Power Heater Assembly
P 3 Pressure Discharge Valve

R 1 Radiator Fan Motor
R 3 Rear Washer Motor

S 1 Skid Control ECU with Actuator
S 2 Skid Control ECU with Actuator
S 4 Starter
S 5 Starter
S 6 Suction Control Valve

T 3 Throttle Position SW
T 5 Turbo Pressure Sensor

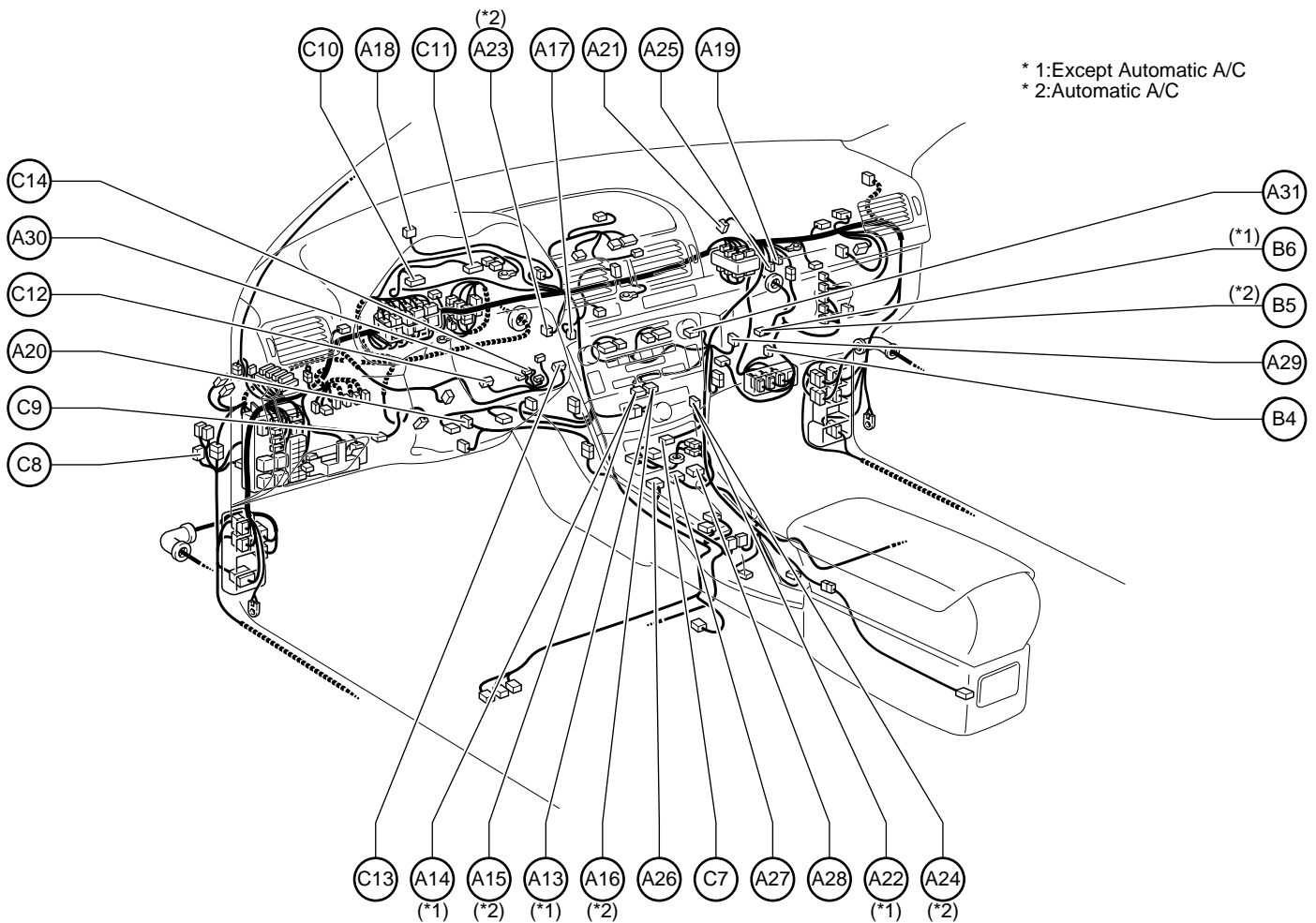
V 2 Vacuum SW
V 4 VRV (EGR)

W 1 Water Temp. SW (Radiator Fan)

G ELECTRICAL WIRING ROUTING

Position of Parts in Instrument Panel

[LHD]

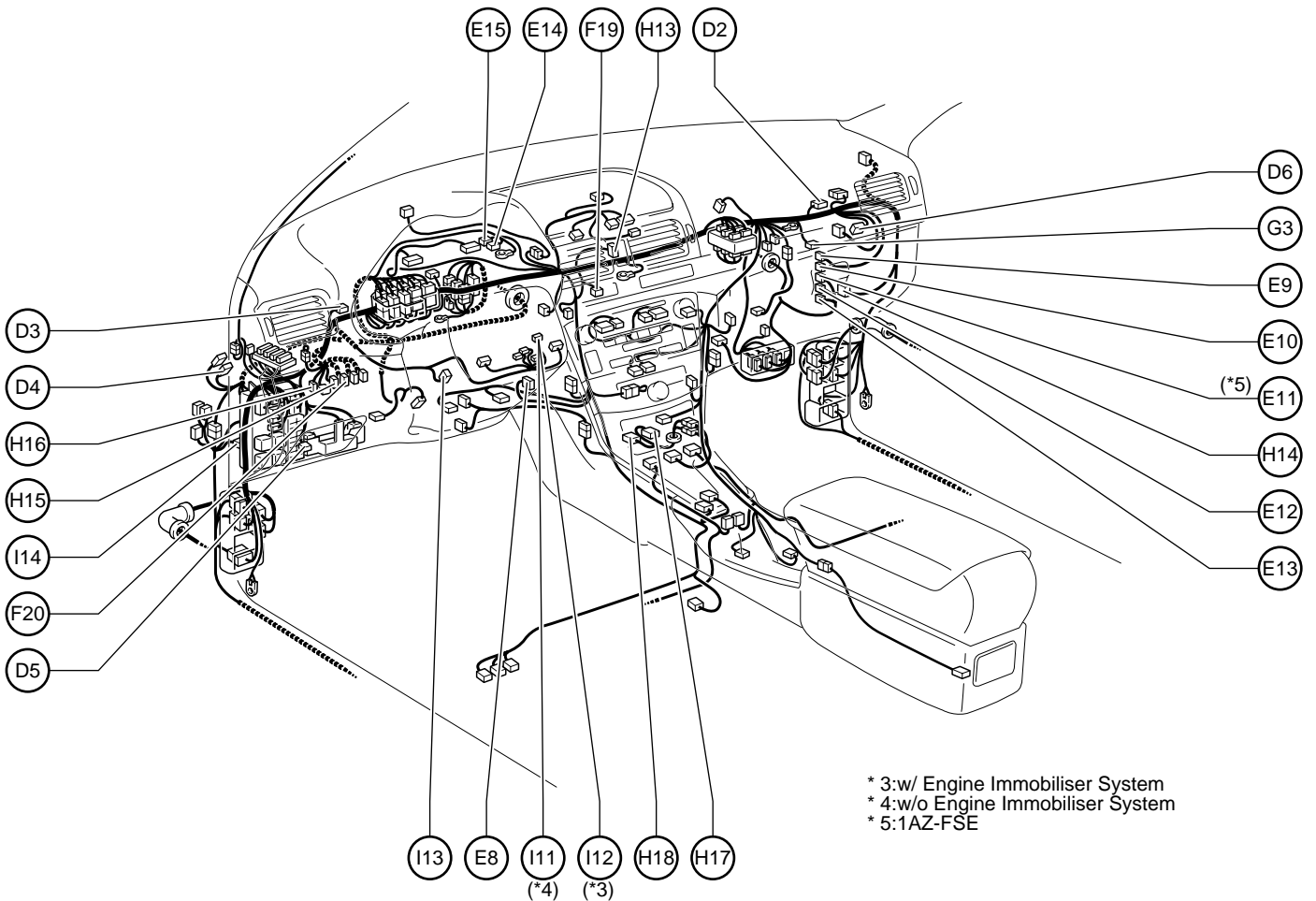


* 1:Except Automatic A/C
* 2:Automatic A/C

- | | |
|---|--------------------------------|
| A 13 A/C Control Assembly | B 4 Blower Motor |
| A 14 A/C Control Assembly | B 5 Blower Motor Controller |
| A 15 A/C Control Assembly | B 6 Blower Resistor |
| A 16 A/C Control Assembly | |
| A 17 A/C Room Temp. Sensor | C 7 Cigarette Lighter |
| A 18 A/C Solar Sensor | Cigarette Lighter Illumination |
| A 19 A/C Thermistor | C 8 Circuit Opening Relay |
| A 20 Accel Position Sensor | C 9 Clutch Start SW |
| A 21 Air Inlet Control Servo Motor | C 10 Combination Meter |
| A 22 Air Mix Control Servo Motor | C 11 Combination Meter |
| A 23 Air Mix Control Servo Motor (Driver Side) | C 12 Combination SW |
| A 24 Air Mix Control Servo Motor (Front Passenger Side) | C 13 Combination SW |
| A 25 Air Vent Mode Control Servo Motor | C 14 Combination SW |
| A 26 Airbag Sensor Assembly | |
| A 27 Airbag Sensor Assembly | |
| A 28 Airbag Sensor Assembly | |
| A 29 Airbag Squib (Front Passenger Airbag Assembly) | |
| A 30 Airbag Squib (Steering Wheel Pad) | |
| A 31 Antenna Amplifier | |

Position of Parts in Instrument Panel

[LHD]



D 2 Diode
D 3 Diode
D 4 Diode (Fan)
D 5 DLC3
D 6 Door Control Receiver

E 8 ECT Pattern Select SW
E 9 Engine and ECT ECU (A/T)
Engine ECU (M/T)
E 10 Engine and ECT ECU (A/T)
Engine ECU (M/T)
E 11 Engine and ECT ECU (A/T)
Engine ECU (M/T)
E 12 Engine and ECT ECU (A/T)
Engine ECU (M/T)
E 13 Engine and ECT ECU (A/T)
Engine ECU (M/T)
E 14 EPS ECU
E 15 EPS ECU

F 19 Front Passenger's Seat Belt Warning Light
Rear Window Defogger SW
Security Indicator Light
F 20 Front Wiper Deicer SW

G 3 Glove Box Light

H 13 Hazard SW
H 14 Headlight Beam Level Control ECU
H 15 Headlight Beam Level Control SW
H 16 Headlight Cleaner SW
H 17 Heated Oxygen Sensor (Bank 1 Sensor 2)
H 18 Height Control Sensor (Front)

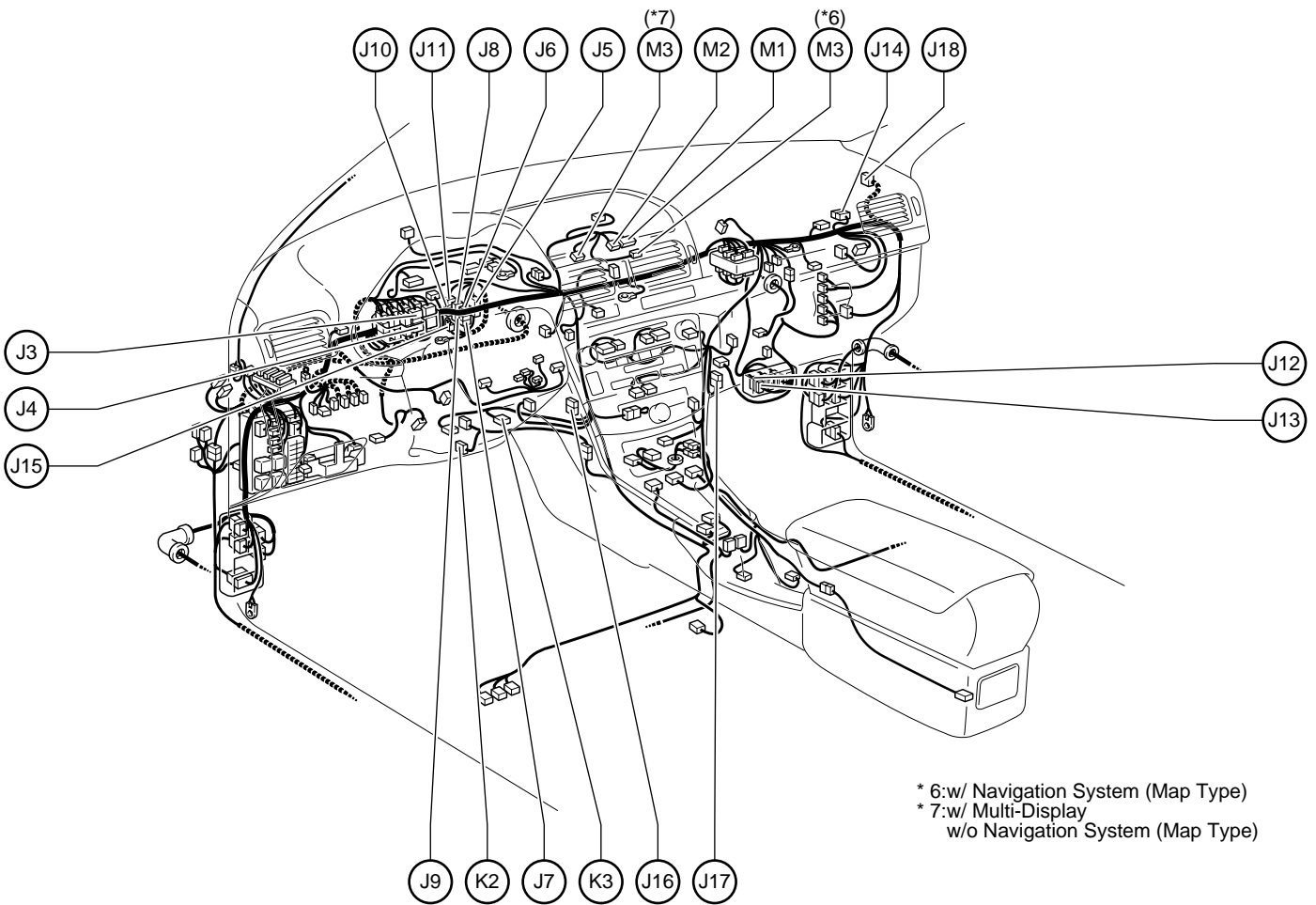
I 11 Ignition Key Cylinder Light
I 12 Ignition Key Cylinder Light
Transponder Key Amplifier
I 13 Ignition SW
I 14 Integration Relay

* 3:w/ Engine Immobiliser System
* 4:w/o Engine Immobiliser System
* 5:1AZ-FSE

G ELECTRICAL WIRING ROUTING

Position of Parts in Instrument Panel

[LHD]

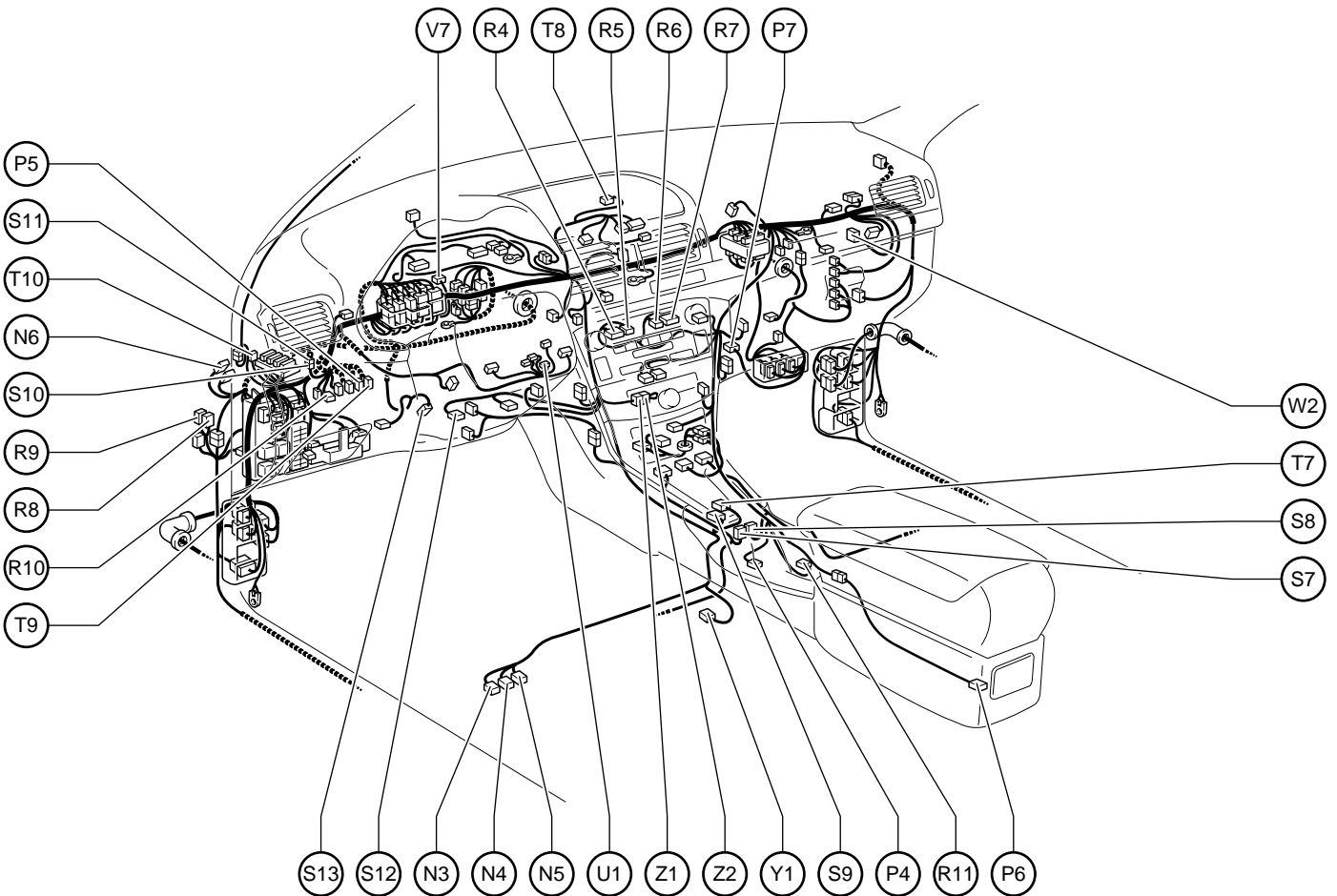


- J 3 Junction Connector
- J 4 Junction Connector
- J 5 Junction Connector
- J 6 Junction Connector
- J 7 Junction Connector
- J 8 Junction Connector
- J 9 Junction Connector
- J 10 Junction Connector
- J 11 Junction Connector
- J 12 Junction Connector
- J 13 Junction Connector
- J 14 Junction Connector
- J 15 Junction Connector
- J 16 Junction Connector
- J 17 Junction Connector
- J 18 Junction Connector

- K 2 Kick Down SW
- K 3 Knee Airbag Squib
- M 1 Multi-Display
- M 2 Multi-Display
- M 3 Multi-Display

Position of Parts in Instrument Panel

[LHD]



N 3 Navigation ECU
 N 4 Navigation ECU
 N 5 Navigation ECU
 N 6 Noise Filter (Rear Window Defogger No.1)

P 4 Parking Brake SW
 P 5 Power Heater SW
 P 6 Power Outlet
 P 7 PTC Heater

R 4 Radio and Player
 R 5 Radio and Player
 R 6 Radio and Player
 R 7 Radio and Player
 R 8 Rear Fog Light Relay
 R 9 Rear Window Defogger Relay
 R10 Remote Control Mirror SW
 R11 Remote Controller (Navigation)

S 7 Seat Heater SW
 S 8 Seat Heater SW
 S 9 Shift Lock Control ECU
 S10 Short Connector
 S11 Short Connector
 S12 Steering Sensor
 S13 Stop Light SW

T 7 Transmission Control SW
 T 8 Transponder Key Computer
 T 9 TRC Off SW
 T10 Turn Signal Flasher Relay

U 1 Unlock Warning SW

V 7 VSC Warning Buzzer

W 2 Wiper Relay

Y 1 Yaw Rate Sensor

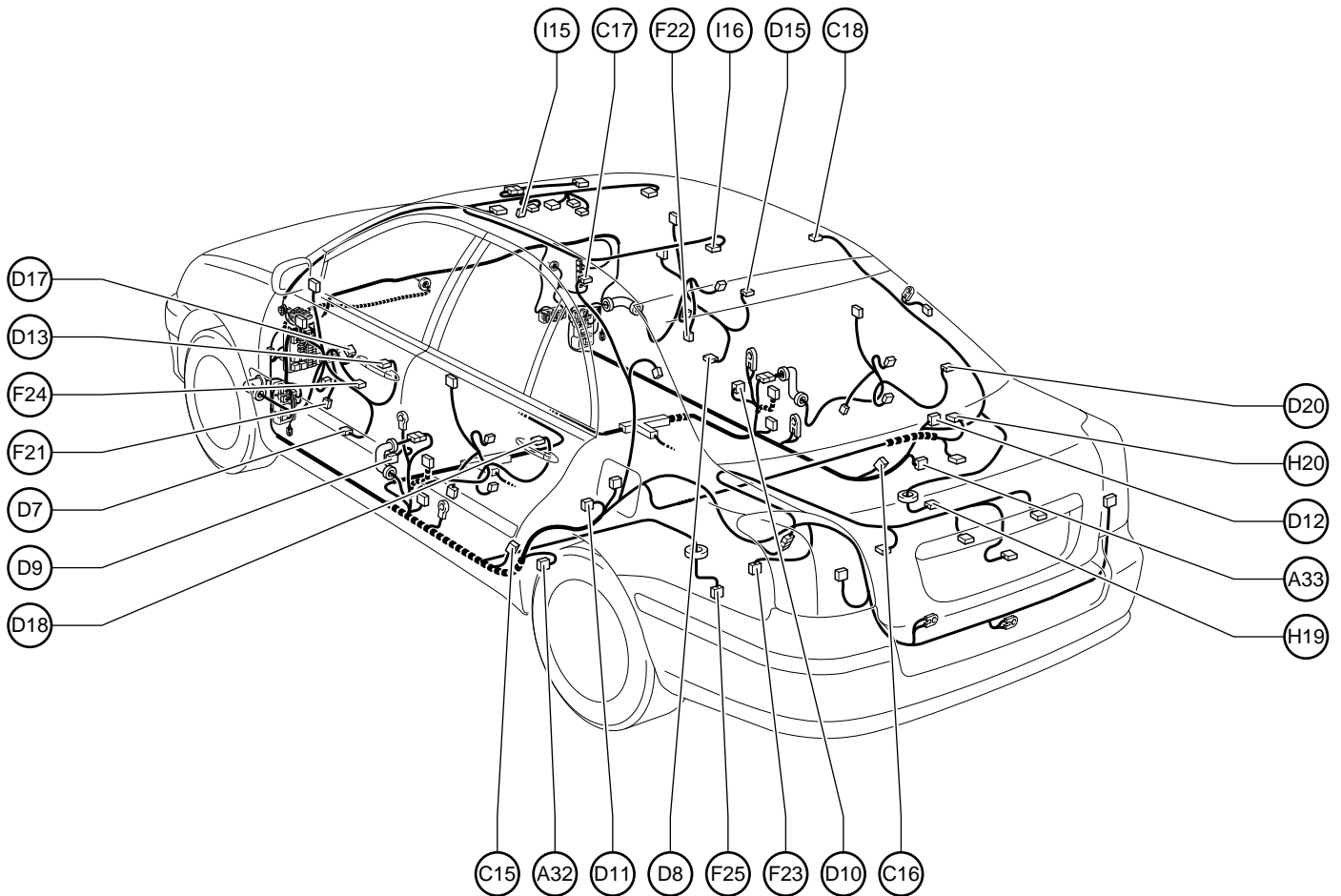
Z 1 Option Connector (Navigation ECU)

Z 2 Option Connector (Navigation ECU)

G ELECTRICAL WIRING ROUTING

Position of Parts in Body

[LHD : S/D]



A32 ABS Speed Sensor Rear LH
A33 ABS Speed Sensor Rear RH

C15 Curtain Shield Airbag Sensor LH
C16 Curtain Shield Airbag Sensor RH
C17 Curtain Shield Airbag Squib LH
C18 Curtain Shield Airbag Squib RH

D 7 Door Courtesy Light LH
D 8 Door Courtesy Light RH
D 9 Door Courtesy SW Front LH
D10 Door Courtesy SW Front RH
D11 Door Courtesy SW Rear LH
D12 Door Courtesy SW Rear RH
D13 Door Key Lock and Unlock SW (Driver's Side)
Door Lock Control Motor (Driver's Side)
Door Unlock Detection SW (Driver's Side)
D15 Door Lock Control Motor (Front Passenger's Side)
D17 Door Lock Control SW
Power Window Master SW
D18 Door Lock Motor Rear LH
D20 Door Lock Motor Rear RH

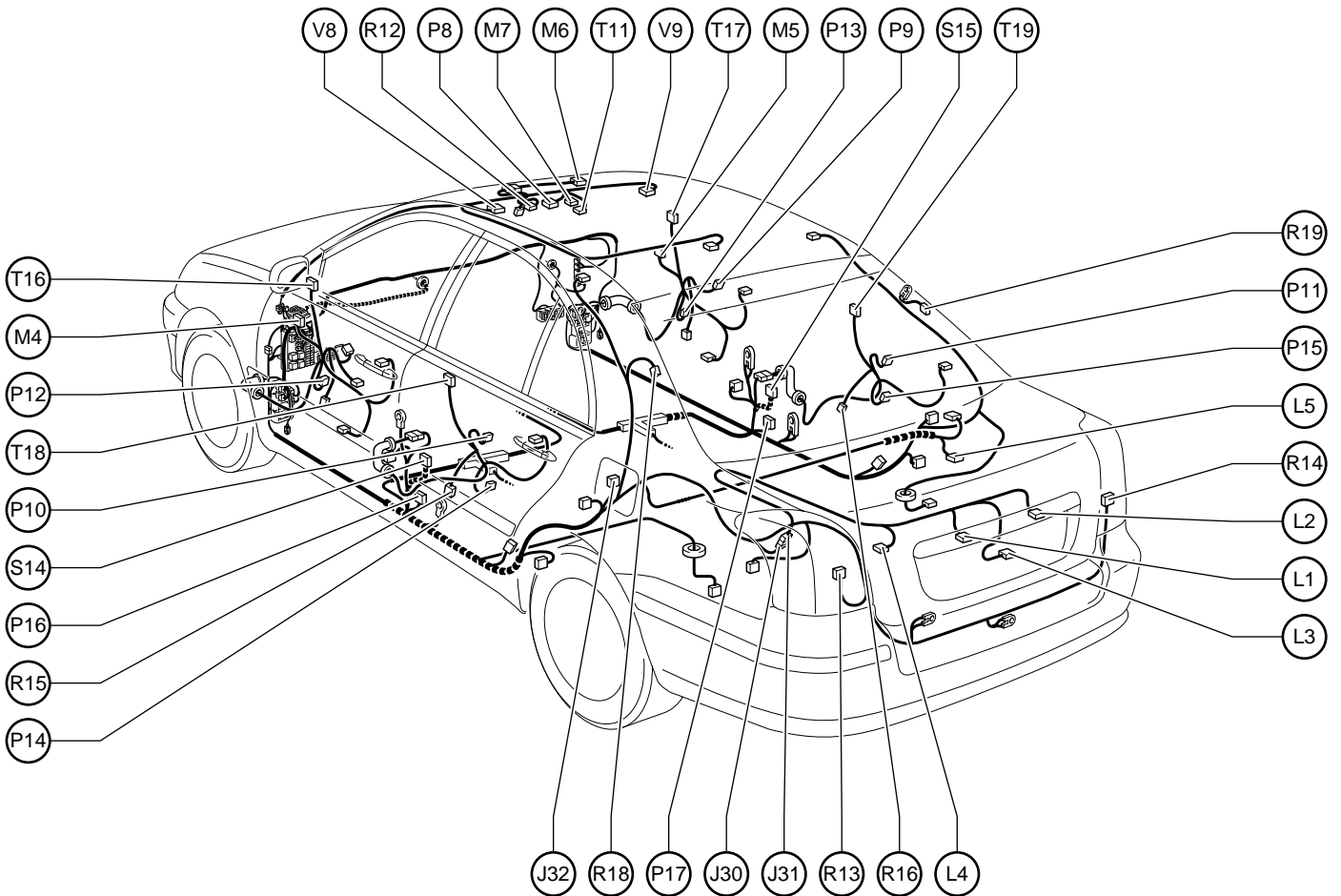
F 21 Front Door Speaker LH
F 22 Front Door Speaker RH
F 23 Fuel Lid Opener Motor
F 24 Fuel Lid Opener SW
F 25 Fuel Pump
Fuel Sender

H19 Height Control Sensor (Rear)
H20 High Mounted Stop Light

I 15 Inner Mirror
I 16 Interior Light

Position of Parts in Body

[LHD : S/D]



J 30 Junction Connector
 J 31 Junction Connector
 J 32 Junction Connector

L 1 License Plate Light LH
 L 2 License Plate Light RH
 L 3 Luggage Compartment Door Lock Motor
 Luggage Compartment Light SW
 L 4 Luggage Compartment Door Opener SW
 L 5 Luggage Compartment Light

M 4 Mirror Heater LH
 Remote Control Mirror LH
 M 5 Mirror Heater RH
 Remote Control Mirror RH
 M 6 Moon Roof Control Relay and Motor
 M 7 Moon Roof Control SW

P 8 Personal Light
 P 9 Power Window Control SW (Front Passenger Side)
 P 10 Power Window Control SW Rear LH
 P 11 Power Window Control SW Rear RH
 P 12 Power Window Motor Front LH
 P 13 Power Window Motor Front RH

P 14 Power Window Motor Rear LH
 P 15 Power Window Motor Rear RH
 P 16 Pretensioner LH
 P 17 Pretensioner RH

R 12 Rain Sensor
 R 13 Rear Combination Light LH
 R 14 Rear Combination Light RH
 R 15 Rear Door Speaker LH
 R 16 Rear Door Speaker RH
 R 18 Rear Window Defogger
 R 19 Rear Window Defogger

S 14 Side Airbag Sensor LH
 S 15 Side Airbag Sensor RH

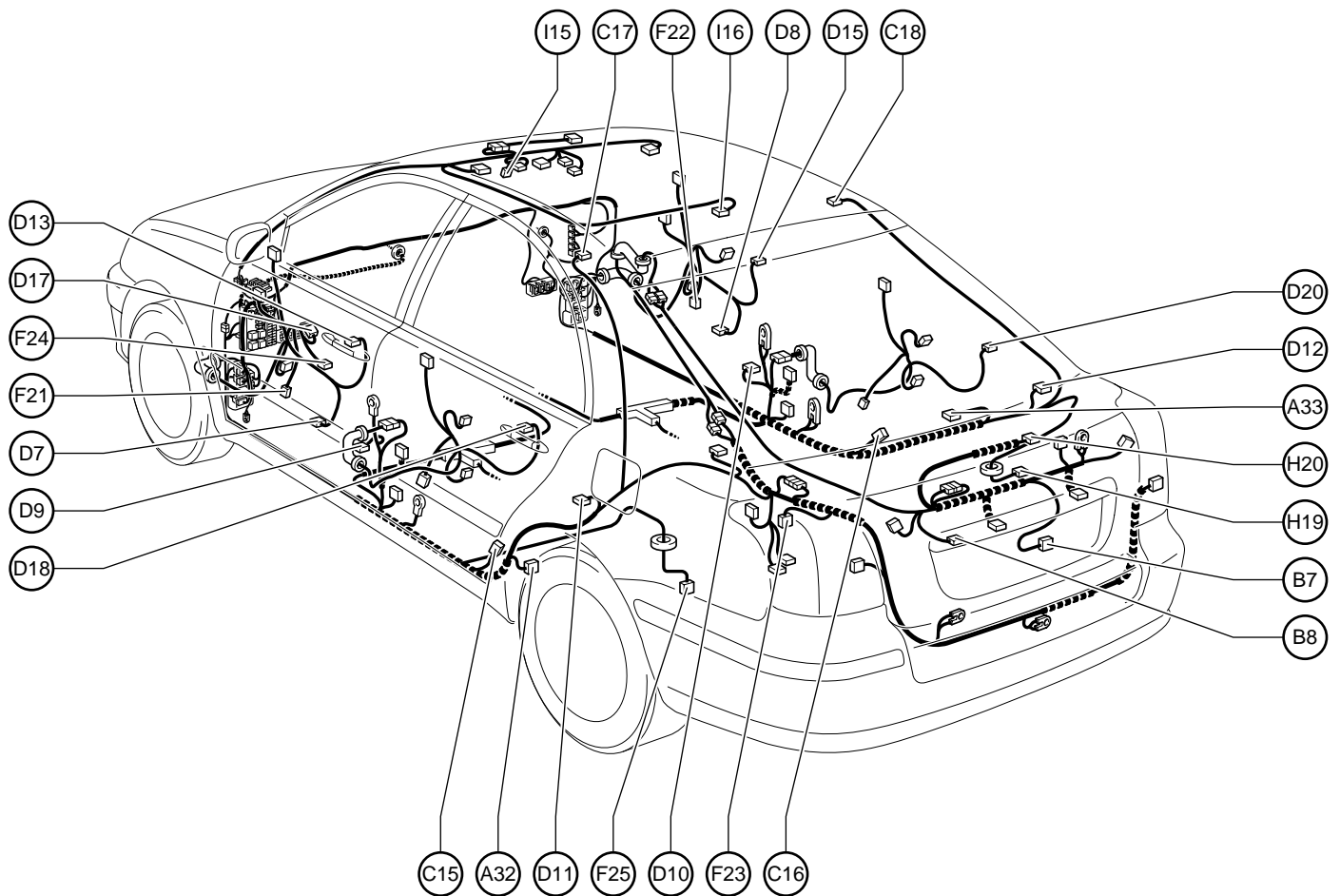
T 11 Telephone Microphone Amplifier
 T 16 Tweeter Front LH
 T 17 Tweeter Front RH
 T 18 Tweeter Rear LH
 T 19 Tweeter Rear RH

V 8 Vanity Light LH
 V 9 Vanity Light RH

G ELECTRICAL WIRING ROUTING

Position of Parts in Body

[LHD : L/B]



A32 ABS Speed Sensor Rear LH
A33 ABS Speed Sensor Rear RH

B 7 Back Door Courtesy SW
Back Door Lock Motor
B 8 Back Door Opener SW

C15 Curtain Shield Airbag Sensor LH
C16 Curtain Shield Airbag Sensor RH
C17 Curtain Shield Airbag Squib LH
C18 Curtain Shield Airbag Squib RH

D 7 Door Courtesy Light LH
D 8 Door Courtesy Light RH
D 9 Door Courtesy SW Front LH
D10 Door Courtesy SW Front RH
D11 Door Courtesy SW Rear LH
D12 Door Courtesy SW Rear RH
D13 Door Key Lock and Unlock SW (Driver's Side)
Door Lock Control Motor (Driver's Side)
Door Unlock Detection SW (Driver's Side)

D15 Door Lock Control Motor (Front Passenger's Side)
D17 Door Lock Control SW
Power Window Master SW
D18 Door Lock Motor Rear LH
D20 Door Lock Motor Rear RH

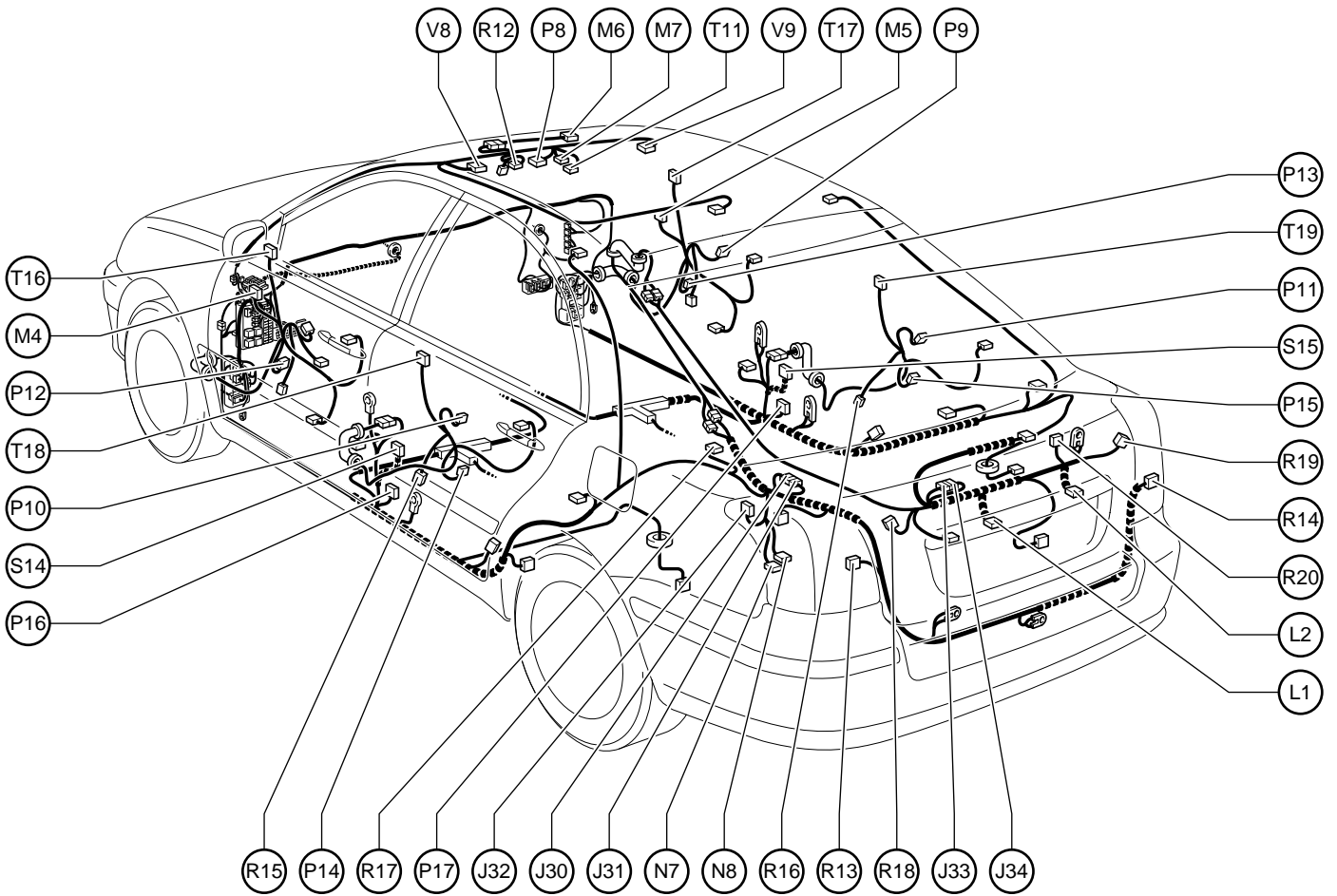
F21 Front Door Speaker LH
F22 Front Door Speaker RH
F23 Fuel Lid Opener Motor
F24 Fuel Lid Opener SW
F25 Fuel Pump
Fuel Sender

H19 Height Control Sensor (Rear)
H20 High Mounted Stop Light

I 15 Inner Mirror
I 16 Interior Light

Position of Parts in Body

[LHD : L/B]



J 30 Junction Connector
 J 31 Junction Connector
 J 32 Junction Connector
 J 33 Junction Connector
 J 34 Junction Connector

L 1 License Plate Light LH
 L 2 License Plate Light RH

M 4 Mirror Heater LH
 Remote Control Mirror LH
 M 5 Mirror Heater RH
 Remote Control Mirror RH
 M 6 Moon Roof Control Relay and Motor
 M 7 Moon Roof Control SW

N 7 Noise Filter (Rear Window Defogger No.2)
 N 8 Noise Filter (Stop Light)

P 8 Personal Light
 P 9 Power Window Control SW (Front Passenger Side)
 P10 Power Window Control SW Rear LH
 P11 Power Window Control SW Rear RH
 P12 Power Window Motor Front LH
 P13 Power Window Motor Front RH
 P14 Power Window Motor Rear LH

P 15 Power Window Motor Rear RH
 P16 Pretensioner LH
 P17 Pretensioner RH

R12 Rain Sensor
 R13 Rear Combination Light LH
 R14 Rear Combination Light RH
 R15 Rear Door Speaker LH
 R16 Rear Door Speaker RH
 R17 Rear Interior Light
 R18 Rear Window Defogger
 R19 Rear Window Defogger
 R20 Rear Wiper Motor and Relay

S14 Side Airbag Sensor LH
 S15 Side Airbag Sensor RH

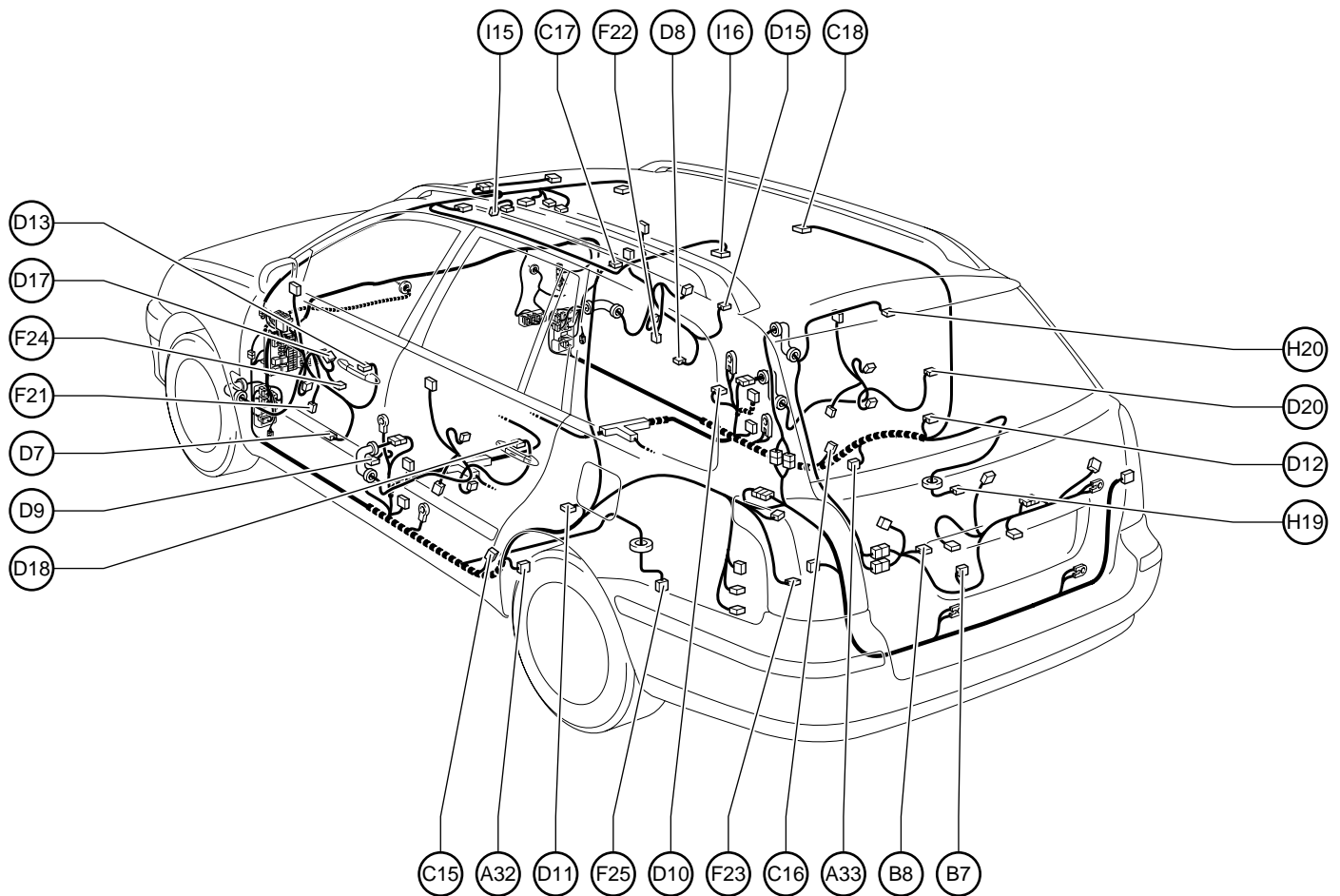
T 11 Telephone Microphone Amplifier
 T16 Tweeter Front LH
 T17 Tweeter Front RH
 T18 Tweeter Rear LH
 T19 Tweeter Rear RH

V 8 Vanity Light LH
 V 9 Vanity Light RH

G ELECTRICAL WIRING ROUTING

Position of Parts in Body

[LHD : W/G]



A32 ABS Speed Sensor Rear LH
A33 ABS Speed Sensor Rear RH

B 7 Back Door Courtesy SW
Back Door Lock Motor
B 8 Back Door Opener SW

C15 Curtain Shield Airbag Sensor LH
C16 Curtain Shield Airbag Sensor RH
C17 Curtain Shield Airbag Squib LH
C18 Curtain Shield Airbag Squib RH

D 7 Door Courtesy Light LH
D 8 Door Courtesy Light RH
D 9 Door Courtesy SW Front LH
D10 Door Courtesy SW Front RH
D11 Door Courtesy SW Rear LH
D12 Door Courtesy SW Rear RH
D13 Door Key Lock and Unlock SW (Driver's Side)
Door Lock Control Motor (Driver's Side)
Door Unlock Detection SW (Driver's Side)

D15 Door Lock Control Motor (Front Passenger's Side)
D17 Door Lock Control SW
Power Window Master SW
D18 Door Lock Motor Rear LH
D20 Door Lock Motor Rear RH

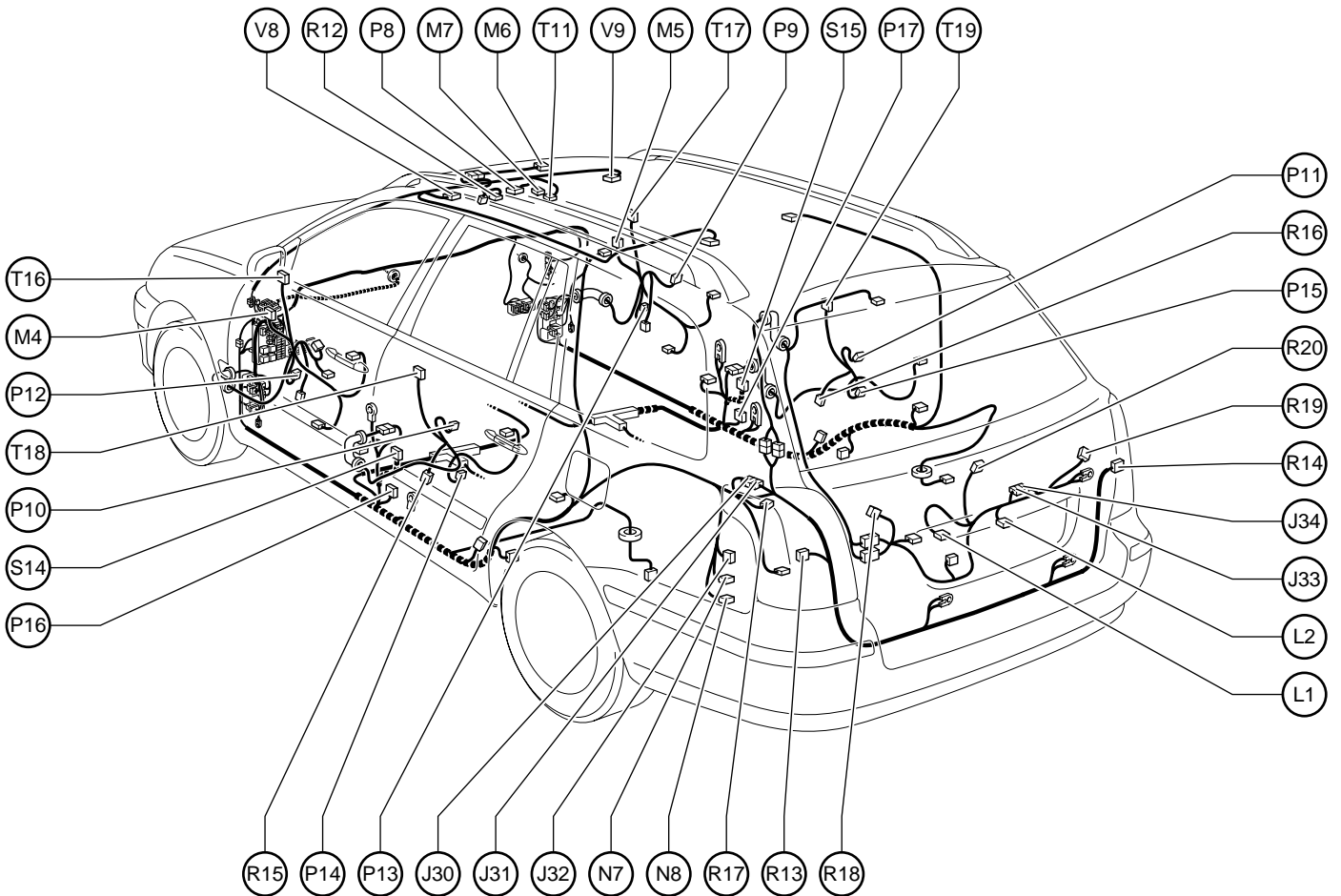
F21 Front Door Speaker LH
F22 Front Door Speaker RH
F23 Fuel Lid Opener Motor
F24 Fuel Lid Opener SW
F25 Fuel Pump
Fuel Sender

H19 Height Control Sensor (Rear)
H20 High Mounted Stop Light

I 15 Inner Mirror
I 16 Interior Light

Position of Parts in Body

[LHD : W/G]



J 30 Junction Connector
 J 31 Junction Connector
 J 32 Junction Connector
 J 33 Junction Connector
 J 34 Junction Connector

L 1 License Plate Light LH
 L 2 License Plate Light RH

M 4 Mirror Heater LH
 Remote Control Mirror LH
 M 5 Mirror Heater RH
 Remote Control Mirror RH
 M 6 Moon Roof Control Relay and Motor
 M 7 Moon Roof Control SW

N 7 Noise Filter (Rear Window Defogger No.2)
 N 8 Noise Filter (Stop Light)

P 8 Personal Light
 P 9 Power Window Control SW (Front Passenger Side)
 P10 Power Window Control SW Rear LH
 P11 Power Window Control SW Rear RH
 P12 Power Window Motor Front LH
 P13 Power Window Motor Front RH
 P14 Power Window Motor Rear LH

P15 Power Window Motor Rear RH
 P16 Pretensioner LH
 P17 Pretensioner RH

R12 Rain Sensor
 R13 Rear Combination Light LH
 R14 Rear Combination Light RH
 R15 Rear Door Speaker LH
 R16 Rear Door Speaker RH
 R17 Rear Interior Light
 R18 Rear Window Defogger
 R19 Rear Window Defogger
 R20 Rear Wiper Motor and Relay

S14 Side Airbag Sensor LH
 S15 Side Airbag Sensor RH

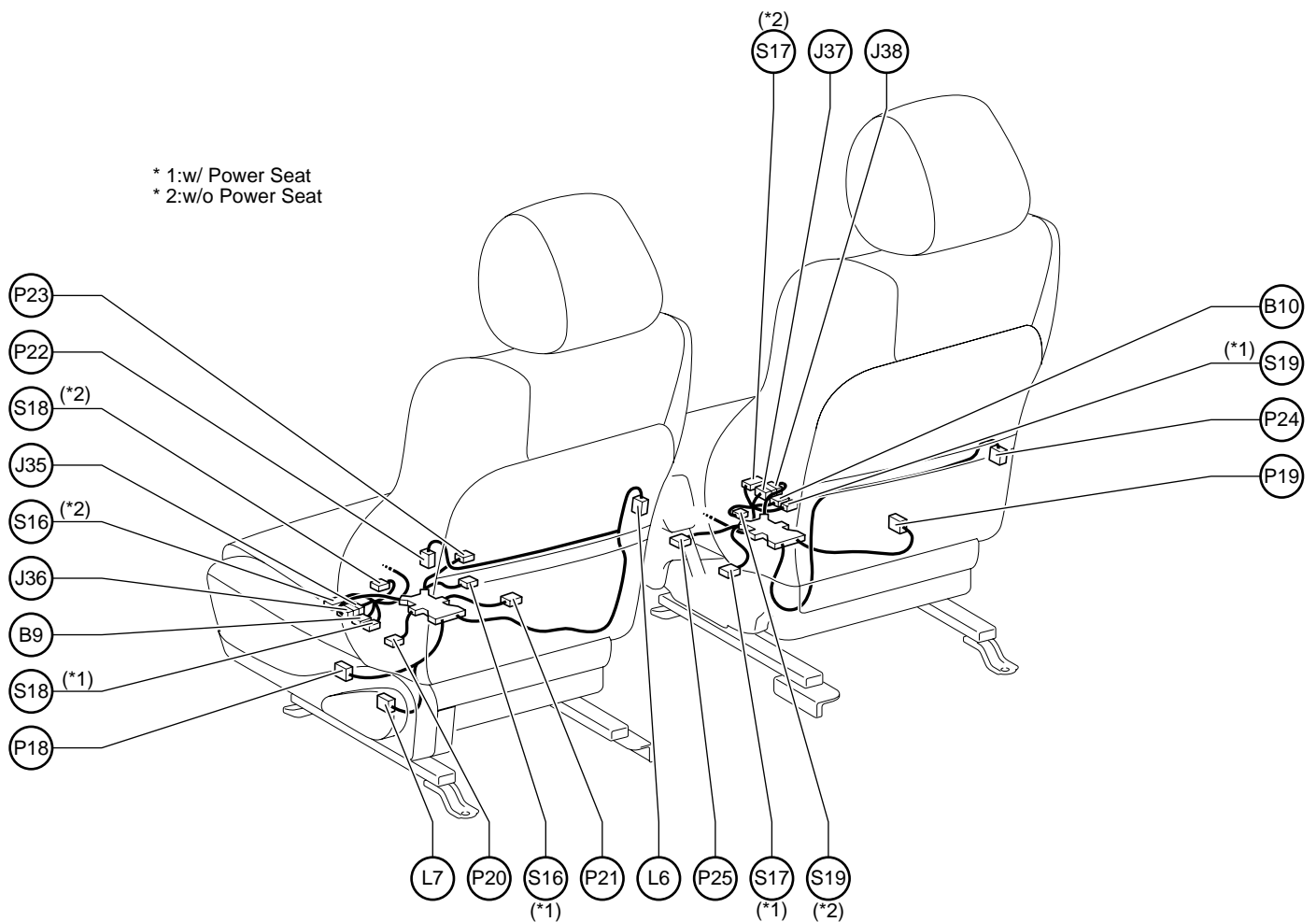
T11 Telephone Microphone Amplifier
 T16 Tweeter Front LH
 T17 Tweeter Front RH
 T18 Tweeter Rear LH
 T19 Tweeter Rear RH

V 8 Vanity Light LH
 V 9 Vanity Light RH

G ELECTRICAL WIRING ROUTING

Position of Parts in Seat

[LHD]



B 9 Buckle SW (Driver's Side)
B 10 Buckle SW (Front Passenger's Side)
Occupant Detection Sensor

J 35 Junction Connector
J 36 Junction Connector
J 37 Junction Connector
J 38 Junction Connector

L 6 Lumbar Support Control Motor
L 7 Lumbar Support Control SW

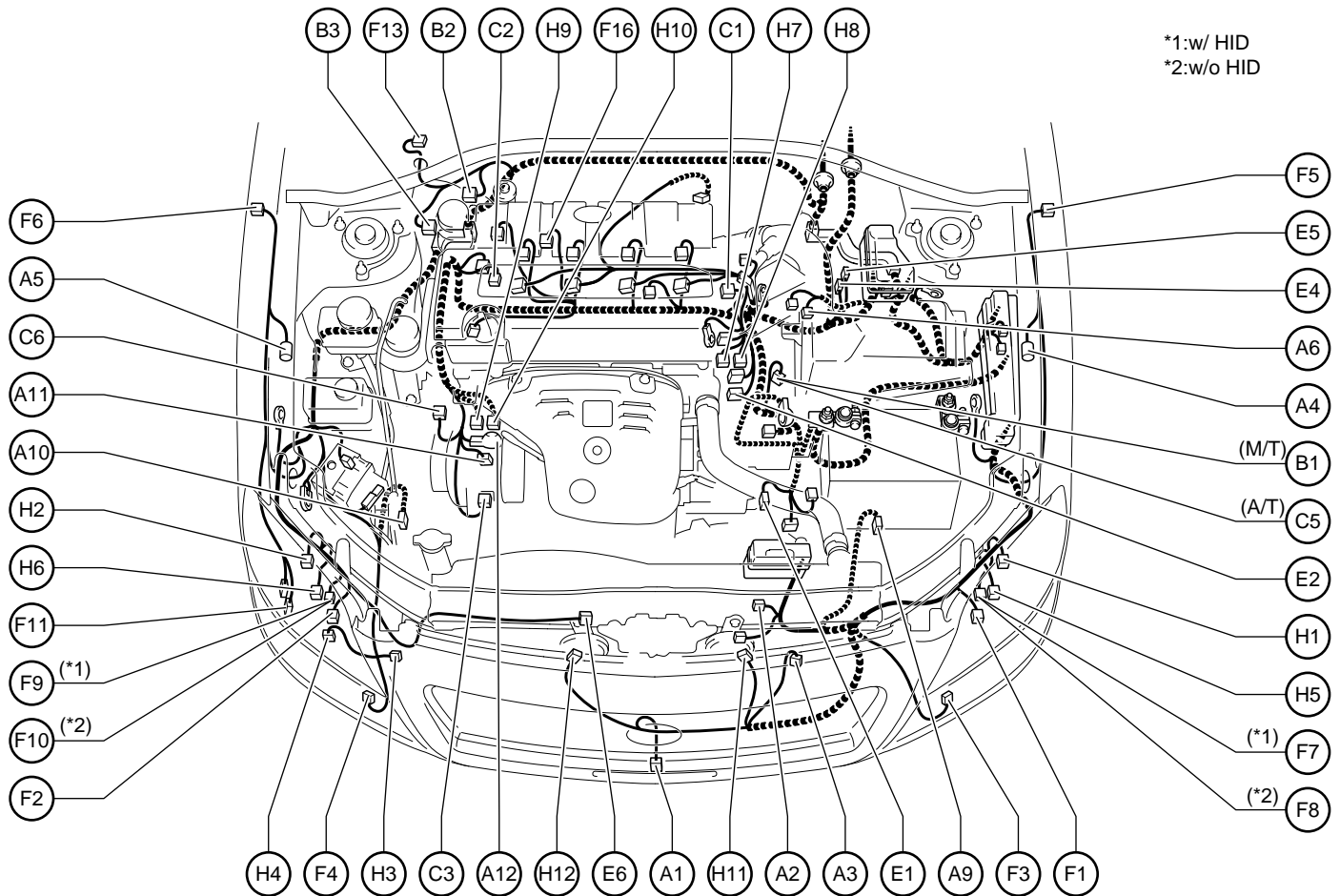
P 18 Power Seat Control SW (Driver's Seat)
P 19 Power Seat Control SW (Front Passenger's Seat)
P 20 Power Seat Motor (Driver's Seat Front Vertical Control)
P 21 Power Seat Motor (Driver's Seat Lifter Control)
P 22 Power Seat Motor (Driver's Seat Reclining Control)
P 23 Power Seat Motor (Driver's Seat Slide Control)
P 24 Power Seat Motor
(Front Passenger's Seat Reclining Control)
P 25 Power Seat Motor
(Front Passenger's Seat Slide Control)

S 16 Seat Heater LH
S 17 Seat Heater RH
S 18 Side Airbag Squib LH
S 19 Side Airbag Squib RH

G ELECTRICAL WIRING ROUTING

Position of Parts in Engine Compartment

[RHD : 1AZ-FSE]



*1:w/ HID
*2:w/o HID

- A 1 A/C Ambient Temp. Sensor
- A 2 A/C Condenser Fan Motor
- A 3 A/C Pressure Sensor
- A 4 ABS Speed Sensor Front LH
- A 5 ABS Speed Sensor Front RH
- A 6 Air Flow Meter
- A 9 Airbag Sensor Front LH
- A 10 Airbag Sensor Front RH
- A 11 Alternator
- A 12 Alternator

- B 1 Back-Up Light SW
- B 2 Brake Booster Pressure Sensor
- B 3 Brake Fluid Level Warning SW

- C 1 Camshaft Position Sensor
- C 2 Camshaft Timing Oil Control Valve
- C 3 Compressor Assembly
- C 5 Counter Gear Speed Sensor
- C 6 Crankshaft Position Sensor

- E 1 ECT Solenoid
- E 2 EFI Water Temp. Sensor
- E 4 Electronic Driver Unit
- E 5 Electronic Driver Unit
- E 6 Engine Hood Courtesy SW

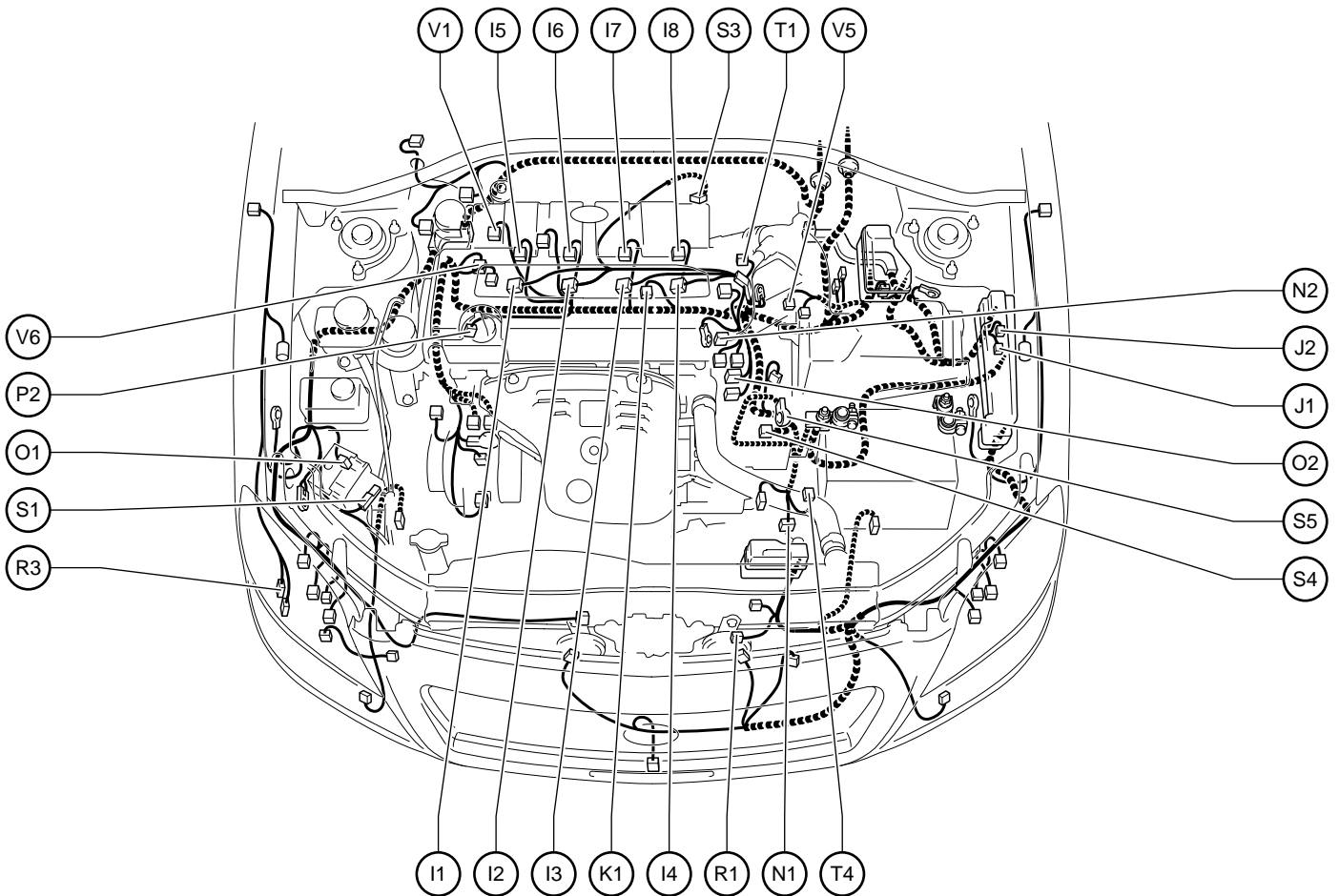
- F 1 Front Clearance Light LH
- F 2 Front Clearance Light RH

- F 3 Front Fog Light LH
- F 4 Front Fog Light RH
- F 5 Front Side Turn Signal Light LH
- F 6 Front Side Turn Signal Light RH
- F 7 Front Turn Signal Light LH
Headlight Control ECU LH
- F 8 Front Turn Signal Light LH
Headlight LH (Low)
- F 9 Front Turn Signal Light RH
Headlight Control ECU RH
- F 10 Front Turn Signal Light RH
Headlight RH (Low)
- F 11 Front Washer Motor
- F 13 Front Wiper Motor
- F 16 Fuel Pressure Sensor

- H 1 Headlight Beam Level Control Actuator LH
- H 2 Headlight Beam Level Control Actuator RH
- H 3 Headlight Cleaner Control Relay
- H 4 Headlight Cleaner Motor
- H 5 Headlight LH (High)
- H 6 Headlight RH (High)
- H 7 Heated Oxygen Sensor (Bank 1 Sensor 1)
- H 8 Heated Oxygen Sensor (Bank 1 Sensor 2)
- H 9 Heated Oxygen Sensor (Bank 2 Sensor 1)
- H 10 Heated Oxygen Sensor (Bank 2 Sensor 2)
- H 11 Horn LH
- H 12 Horn RH

Position of Parts in Engine Compartment

[RHD : 1AZ-FSE]



I 1 Ignition Coil and Igniter No.1
 I 2 Ignition Coil and Igniter No.2
 I 3 Ignition Coil and Igniter No.3
 I 4 Ignition Coil and Igniter No.4
 I 5 Injector No.1
 I 6 Injector No.2
 I 7 Injector No.3
 I 8 Injector No.4

J 1 Junction Connector
 J 2 Junction Connector

K 1 Knock Sensor

N 1 Neutral Start SW
 N 2 Noise Filter (Ignition)

O 1 Oil Pressure Sensor
 O 2 Oil Pressure SW

P 2 Power Steering Oil Pressure SW

R 1 Radiator Fan Motor
 R 3 Rear Washer Motor

S 1 Skid Control ECU with Actuator
 S 3 Spill Valve
 S 4 Starter
 S 5 Starter

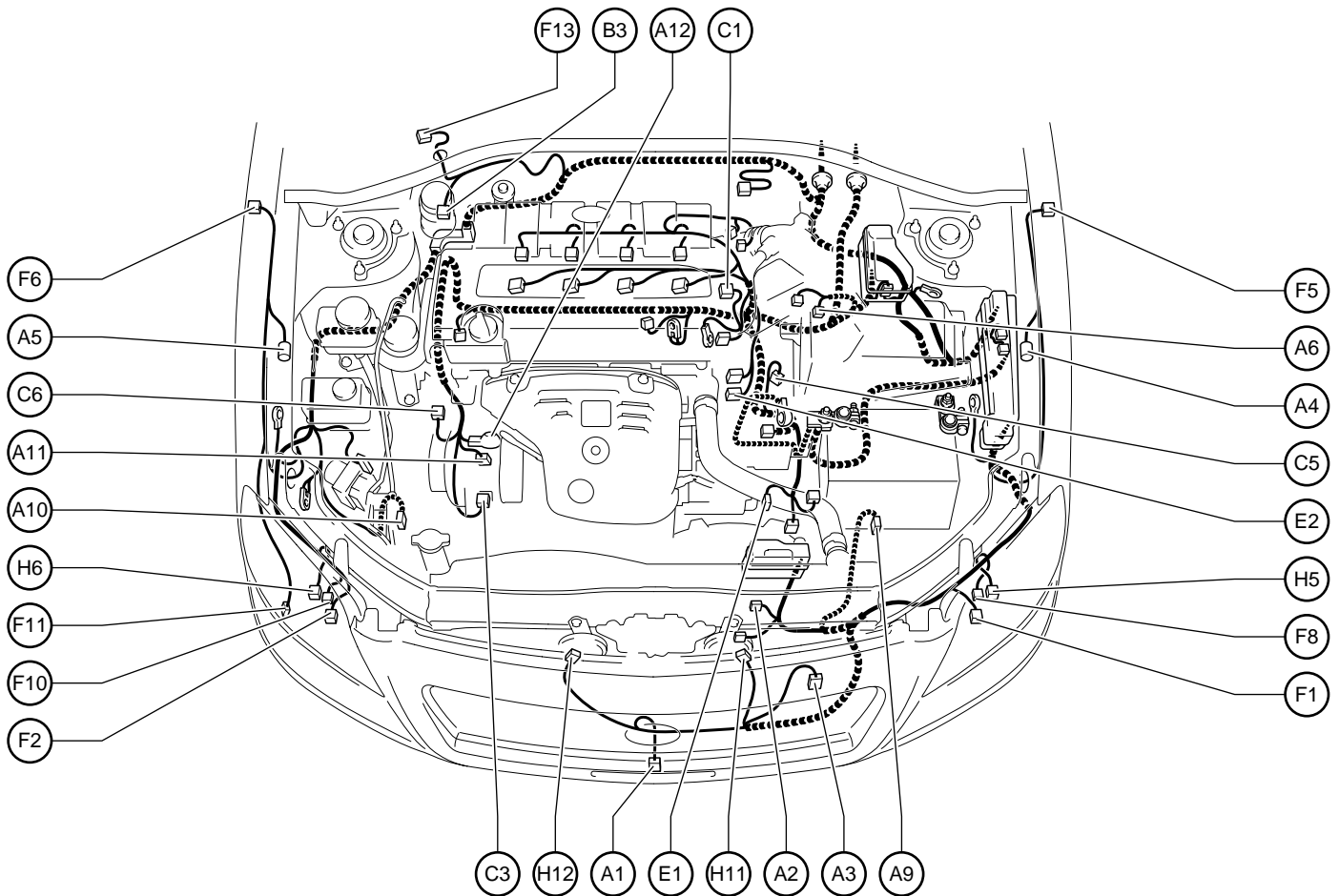
T 1 Throttle Control Motor and Position Sensor
 T 4 Turbine Speed Sensor

V 1 Vacuum Sensor
 V 5 VSV (EVAP)
 V 6 VSV (Intake Air Control Valve)

G ELECTRICAL WIRING ROUTING

Position of Parts in Engine Compartment

[RHD : 1AZ-FE]



- A 1 A/C Ambient Temp. Sensor
- A 2 A/C Condenser Fan Motor
- A 3 A/C Pressure Sensor
- A 4 ABS Speed Sensor Front LH
- A 5 ABS Speed Sensor Front RH
- A 6 Air Flow Meter
- A 9 Airbag Sensor Front LH
- A10 Airbag Sensor Front RH
- A11 Alternator
- A12 Alternator

- B 3 Brake Fluid Level Warning SW

- C 1 Camshaft Position Sensor
- C 3 Compressor Assembly
- C 5 Counter Gear Speed Sensor
- C 6 Crankshaft Position Sensor

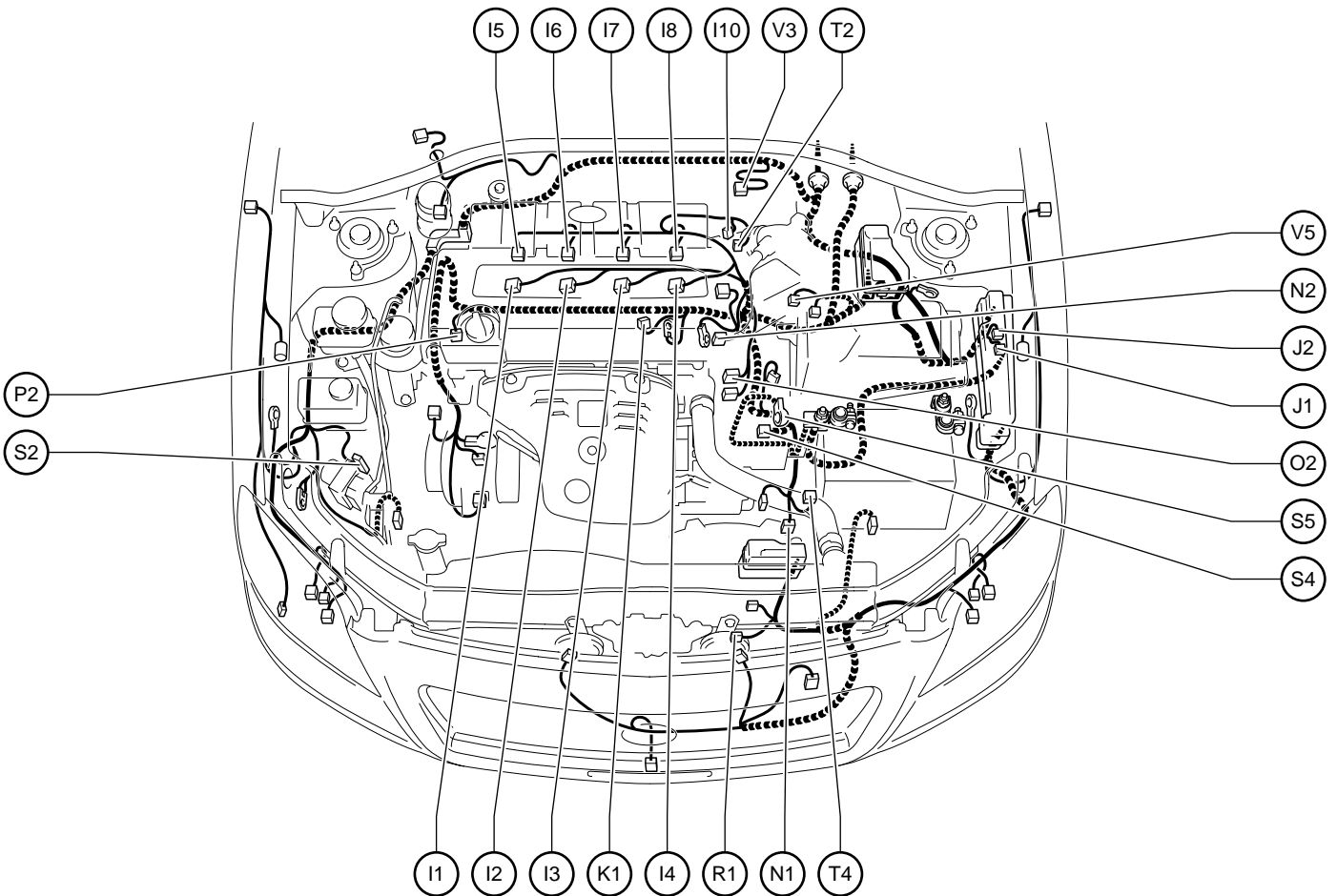
- E 1 ECT Solenoid
- E 2 EFI Water Temp. Sensor

- F 1 Front Clearance Light LH
- F 2 Front Clearance Light RH
- F 5 Front Side Turn Signal Light LH
- F 6 Front Side Turn Signal Light RH
- F 8 Front Turn Signal Light LH
Headlight LH (Low)
- F10 Front Turn Signal Light RH
Headlight RH (Low)
- F11 Front Washer Motor
- F13 Front Wiper Motor

- H 5 Headlight LH (High)
- H 6 Headlight RH (High)
- H11 Horn LH
- H12 Horn RH

Position of Parts in Engine Compartment

[RHD : 1AZ-FE]



I 1 Ignition Coil and Igniter No.1
 I 2 Ignition Coil and Igniter No.2
 I 3 Ignition Coil and Igniter No.3
 I 4 Ignition Coil and Igniter No.4
 I 5 Injector No.1
 I 6 Injector No.2
 I 7 Injector No.3
 I 8 Injector No.4
 I 10 ISC Valve

J 1 Junction Connector
 J 2 Junction Connector

K 1 Knock Sensor

N 1 Neutral Start SW
 N 2 Noise Filter (Ignition)

O 2 Oil Pressure SW

P 2 Power Steering Oil Pressure SW

R 1 Radiator Fan Motor

S 2 Skid Control ECU with Actuator

S 4 Starter

S 5 Starter

T 2 Throttle Position Sensor

T 4 Turbine Speed Sensor

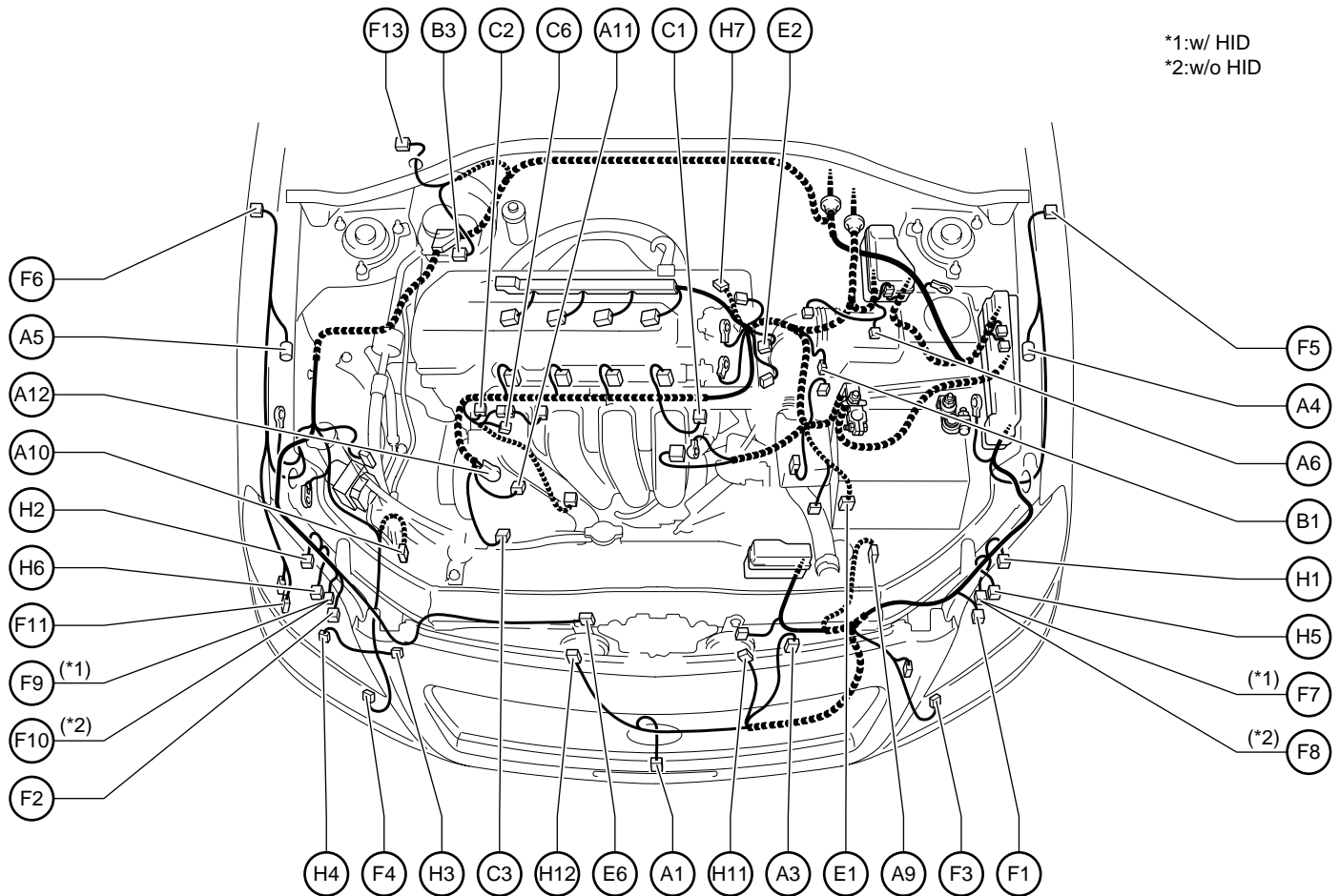
V 3 Variable Resistor

V 5 VSV (EVAP)

G ELECTRICAL WIRING ROUTING

Position of Parts in Engine Compartment

[RHD : 1ZZ-FE, 3ZZ-FE]

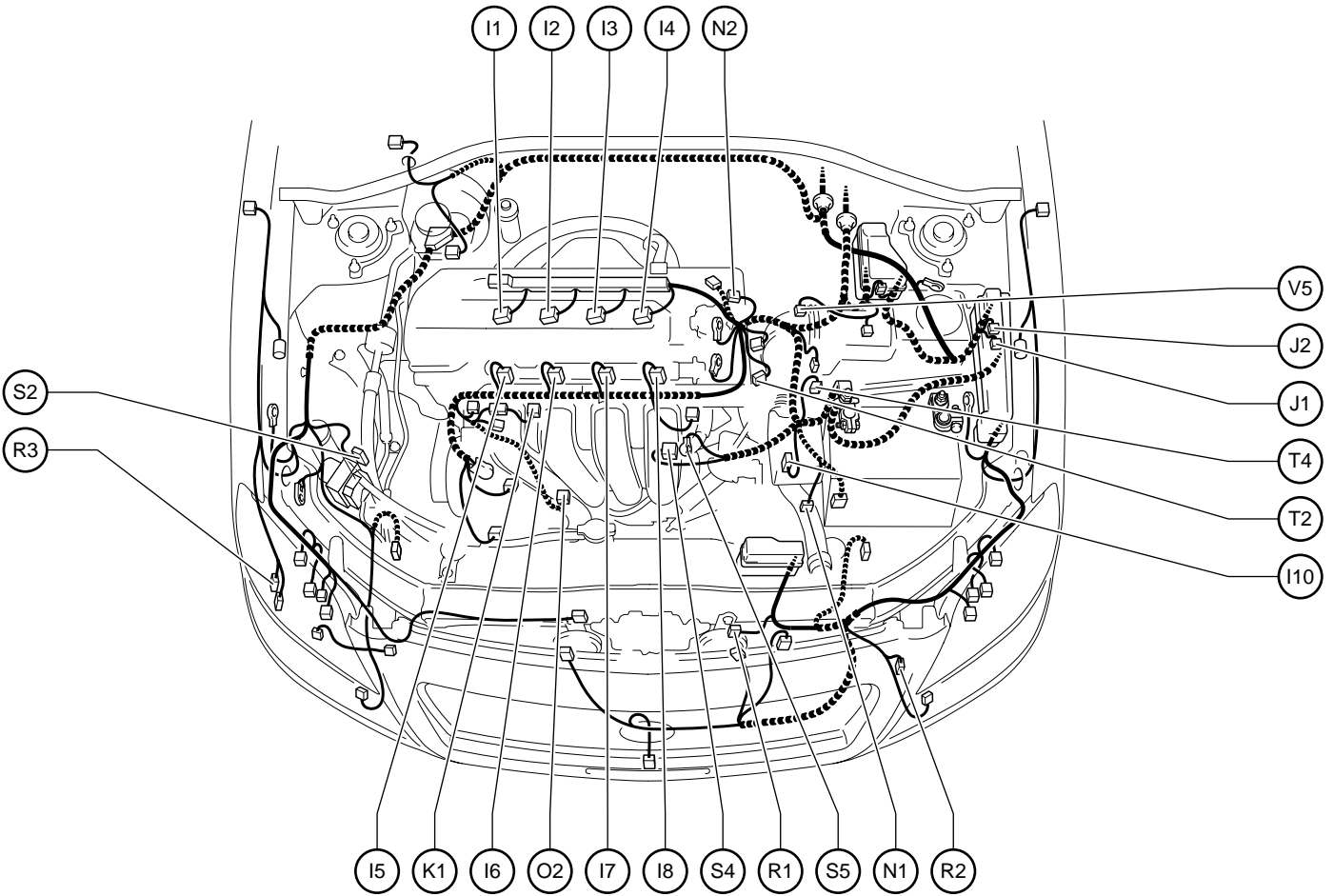


*1:w/ HID
*2:w/o HID

- | | |
|---------------------------------------|--|
| A 1 A/C Ambient Temp. Sensor | F 3 Front Fog Light LH |
| A 3 A/C Pressure Sensor | F 4 Front Fog Light RH |
| A 4 ABS Speed Sensor Front LH | F 5 Front Side Turn Signal Light LH |
| A 5 ABS Speed Sensor Front RH | F 6 Front Side Turn Signal Light RH |
| A 6 Air Flow Meter | F 7 Front Turn Signal Light LH
Headlight Control ECU LH |
| A 9 Airbag Sensor Front LH | F 8 Front Turn Signal Light LH
Headlight LH (Low) |
| A 10 Airbag Sensor Front RH | F 9 Front Turn Signal Light RH
Headlight Control ECU RH |
| A 11 Alternator | F 10 Front Turn Signal Light RH
Headlight RH (Low) |
| A 12 Alternator | F 11 Front Washer Motor |
| B 1 Back-Up Light SW | F 13 Front Wiper Motor |
| B 3 Brake Fluid Level Warning SW | |
| C 1 Camshaft Position Sensor | H 1 Headlight Beam Level Control Actuator LH |
| C 2 Camshaft Timing Oil Control Valve | H 2 Headlight Beam Level Control Actuator RH |
| C 3 Compressor Assembly | H 3 Headlight Cleaner Control Relay |
| C 6 Crankshaft Position Sensor | H 4 Headlight Cleaner Motor |
| E 1 ECT Solenoid | H 5 Headlight LH (High) |
| E 2 EFI Water Temp. Sensor | H 6 Headlight RH (High) |
| E 6 Engine Hood Courtesy SW | H 7 Heated Oxygen Sensor (Bank 1 Sensor 1) |
| F 1 Front Clearance Light LH | H 11 Horn LH |
| F 2 Front Clearance Light RH | H 12 Horn RH |

Position of Parts in Engine Compartment

[RHD : 1ZZ-FE, 3ZZ-FE]



I 1 Ignition Coil and Igniter No.1
 I 2 Ignition Coil and Igniter No.2
 I 3 Ignition Coil and Igniter No.3
 I 4 Ignition Coil and Igniter No.4
 I 5 Injector No.1
 I 6 Injector No.2
 I 7 Injector No.3
 I 8 Injector No.4
 I 10 ISC Valve

J 1 Junction Connector
 J 2 Junction Connector

K 1 Knock Sensor

N 1 Neutral Start SW
 N 2 Noise Filter (Ignition)

O 2 Oil Pressure SW

R 1 Radiator Fan Motor
 R 2 Radiator Fan Resistor
 R 3 Rear Washer Motor

S 2 Skid Control ECU with Actuator
 S 4 Starter
 S 5 Starter

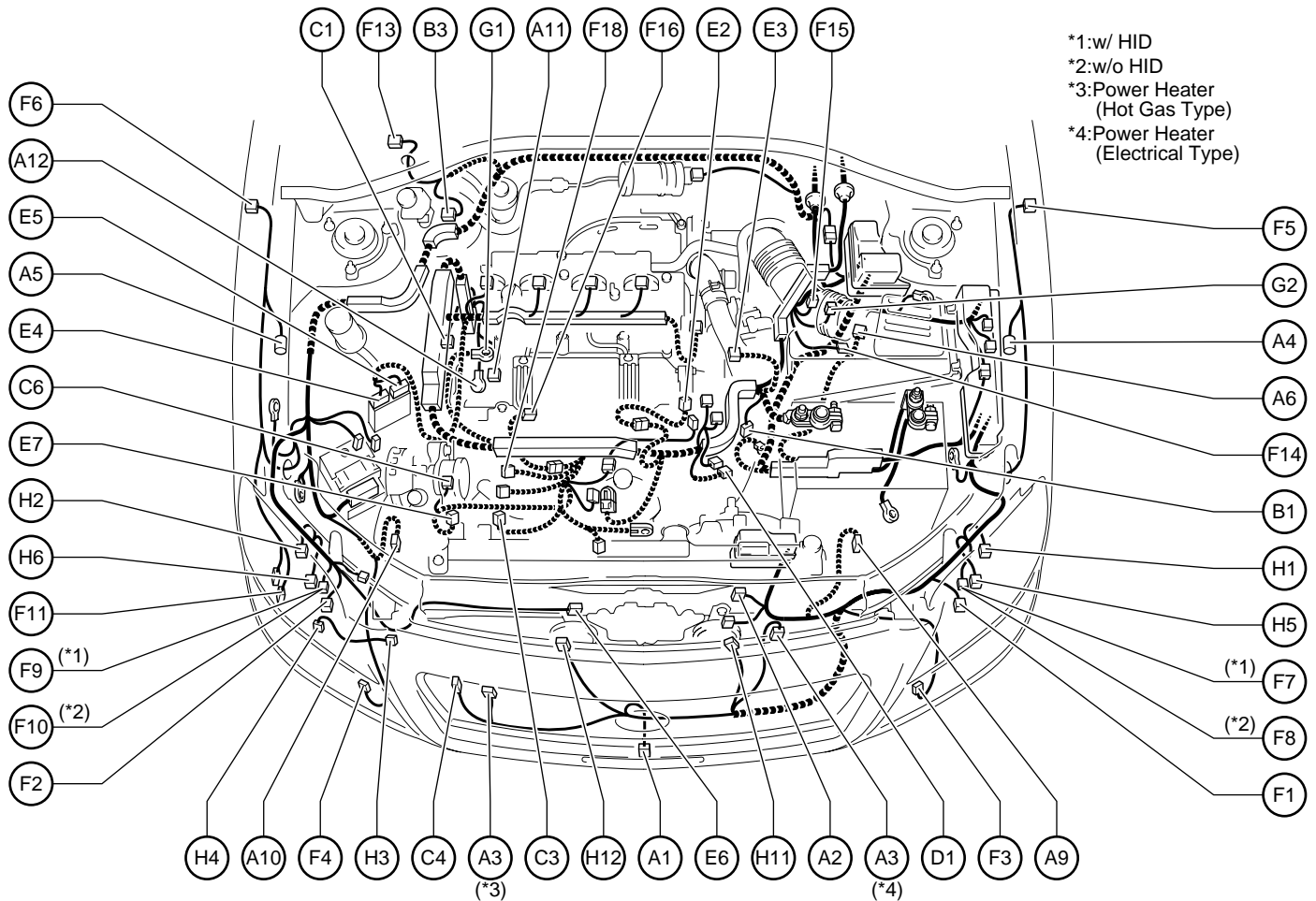
T 2 Throttle Position Sensor
 T 4 Turbine Speed Sensor

V 5 VSV (EVAP)

G ELECTRICAL WIRING ROUTING

Position of Parts in Engine Compartment

[RHD : 1CD-FTV]



- *1:w/ HID
- *2:w/o HID
- *3:Power Heater (Hot Gas Type)
- *4:Power Heater (Electrical Type)

- A 1 A/C Ambient Temp. Sensor
- A 2 A/C Condenser Fan Motor
- A 3 A/C Pressure Sensor
- A 4 ABS Speed Sensor Front LH
- A 5 ABS Speed Sensor Front RH
- A 6 Air Flow Meter
- A 9 Airbag Sensor Front LH
- A 10 Airbag Sensor Front RH
- A 11 Alternator
- A 12 Alternator

- B 1 Back-Up Light SW
- B 3 Brake Fluid Level Warning SW

- C 1 Camshaft Position Sensor
- C 3 Compressor Assembly
- C 4 Condenser Assembly
- C 6 Crankshaft Position Sensor

- D 1 Diesel Throttle Control Motor

- E 2 EFI Water Temp. Sensor
- E 3 EGR Valve Control Motor
- E 4 Electronic Driver Unit
- E 5 Electronic Driver Unit
- E 6 Engine Hood Courtesy SW
- E 7 Engine Oil Level Sensor

- F 1 Front Clearance Light LH
- F 2 Front Clearance Light RH

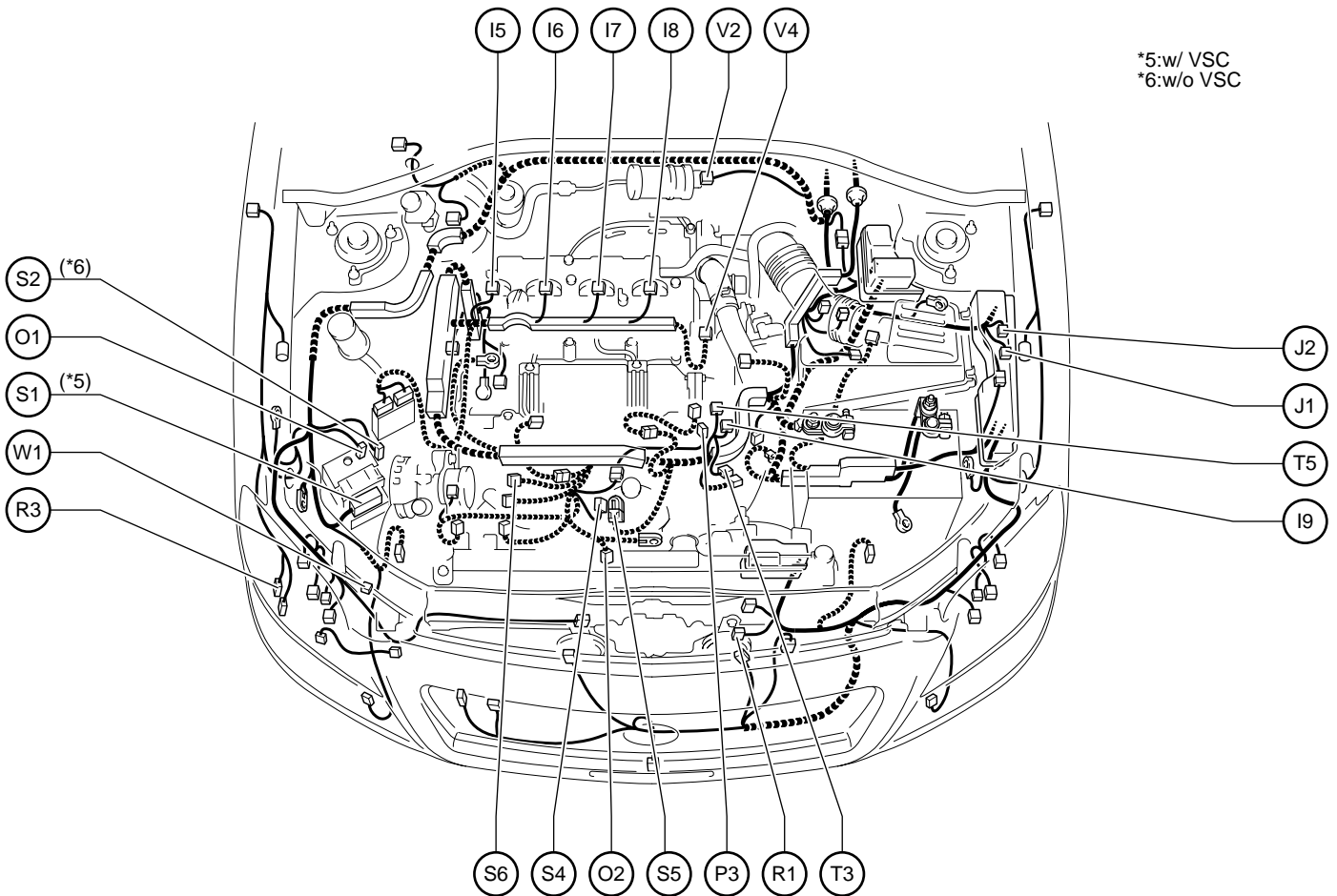
- F 3 Front Fog Light LH
- F 4 Front Fog Light RH
- F 5 Front Side Turn Signal Light LH
- F 6 Front Side Turn Signal Light RH
- F 7 Front Turn Signal Light LH
Headlight Control ECU LH
- F 8 Front Turn Signal Light LH
Headlight LH (Low)
- F 9 Front Turn Signal Light RH
Headlight Control ECU RH
- F 10 Front Turn Signal Light RH
Headlight RH (Low)
- F 11 Front Washer Motor
- F 13 Front Wiper Motor
- F 14 Fuel Filter Warning SW
- F 15 Fuel Heater
- F 16 Fuel Pressure Sensor
- F 18 Fuel Temp. Sensor

- G 1 Glow Plug
- G 2 Glow Plug Relay

- H 1 Headlight Beam Level Control Actuator LH
- H 2 Headlight Beam Level Control Actuator RH
- H 3 Headlight Cleaner Control Relay
- H 4 Headlight Cleaner Motor
- H 5 Headlight LH (High)
- H 6 Headlight RH (High)
- H 11 Horn LH
- H 12 Horn RH

Position of Parts in Engine Compartment

[RHD : 1CD-FTV]



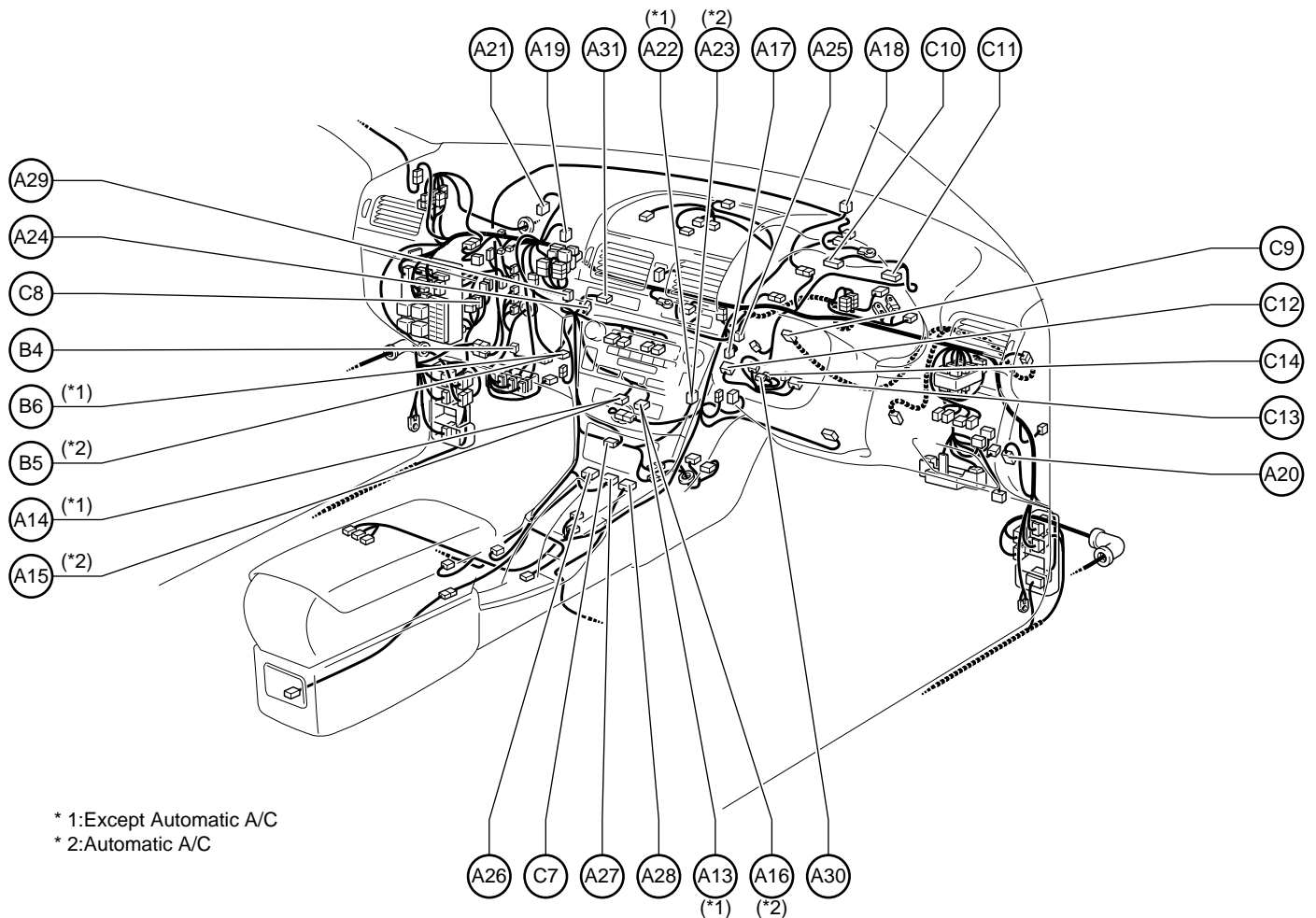
*5:w/ VSC
*6:w/o VSC

- | | |
|------------------------------|------------------------------------|
| I 5 Injector No.1 | S 1 Skid Control ECU with Actuator |
| I 6 Injector No.2 | S 2 Skid Control ECU with Actuator |
| I 7 Injector No.3 | S 4 Starter |
| I 8 Injector No.4 | S 5 Starter |
| I 9 Intake Air Temp. Sensor | S 6 Suction Control Valve |
| J 1 Junction Connector | T 3 Throttle Position SW |
| J 2 Junction Connector | T 5 Turbo Pressure Sensor |
| O 1 Oil Pressure Sensor | V 2 Vacuum SW |
| O 2 Oil Pressure SW | V 4 VRV (EGR) |
| P 3 Pressure Discharge Valve | W 1 Water Temp. SW (Radiator Fan) |
| R 1 Radiator Fan Motor | |
| R 3 Rear Washer Motor | |

G ELECTRICAL WIRING ROUTING

Position of Parts in Instrument Panel

[RHD]

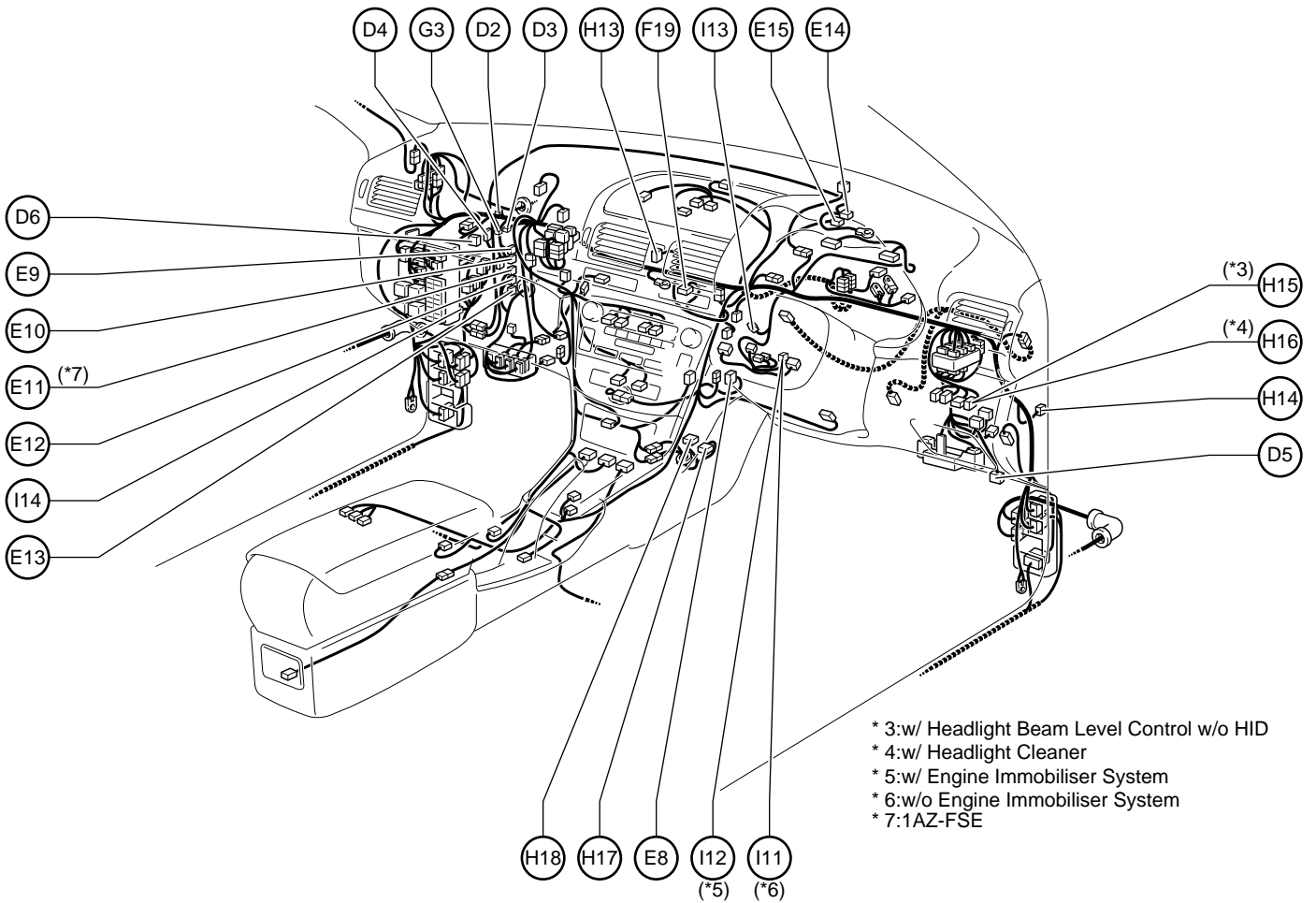


* 1:Except Automatic A/C
* 2:Automatic A/C

- | | |
|---|--------------------------------|
| A 13 A/C Control Assembly | B 4 Blower Motor |
| A 14 A/C Control Assembly | B 5 Blower Motor Controller |
| A 15 A/C Control Assembly | B 6 Blower Resistor |
| A 16 A/C Control Assembly | C 7 Cigarette Lighter |
| A 17 A/C Room Temp. Sensor | Cigarette Lighter Illumination |
| A 18 A/C Solar Sensor | C 8 Circuit Opening Relay |
| A 19 A/C Thermistor | C 9 Clutch Start SW |
| A 20 Accel Position Sensor | C 10 Combination Meter |
| A 21 Air Inlet Control Servo Motor | C 11 Combination Meter |
| A 22 Air Mix Control Servo Motor | C 12 Combination SW |
| A 23 Air Mix Control Servo Motor (Driver Side) | C 13 Combination SW |
| A 24 Air Mix Control Servo Motor (Front Passenger Side) | C 14 Combination SW |
| A 25 Air Vent Mode Control Servo Motor | |
| A 26 Airbag Sensor Assembly | |
| A 27 Airbag Sensor Assembly | |
| A 28 Airbag Sensor Assembly | |
| A 29 Airbag Squib (Front Passenger Airbag Assembly) | |
| A 30 Airbag Squib (Steering Wheel Pad) | |
| A 31 Antenna Amplifier | |

Position of Parts in Instrument Panel

[RHD]



* 3:w/ Headlight Beam Level Control w/o HID
 * 4:w/ Headlight Cleaner
 * 5:w/ Engine Immobiliser System
 * 6:w/o Engine Immobiliser System
 * 7:1AZ-FSE

D 2 Diode
 D 3 Diode
 D 4 Diode (Fan)
 D 5 DLC3
 D 6 Door Control Receiver

E 8 ECT Pattern Select SW
 E 9 Engine and ECT ECU (A/T)
 Engine ECU (M/T)
 E 10 Engine and ECT ECU (A/T)
 Engine ECU (M/T)
 E 11 Engine and ECT ECU (A/T)
 Engine ECU (M/T)
 E 12 Engine and ECT ECU (A/T)
 Engine ECU (M/T)
 E 13 Engine and ECT ECU (A/T)
 Engine ECU (M/T)
 E 14 EPS ECU
 E 15 EPS ECU

F 19 Front Passenger's Seat Belt Warning Light
 Rear Window Defogger SW
 Security Indicator Light

G 3 Glove Box Light

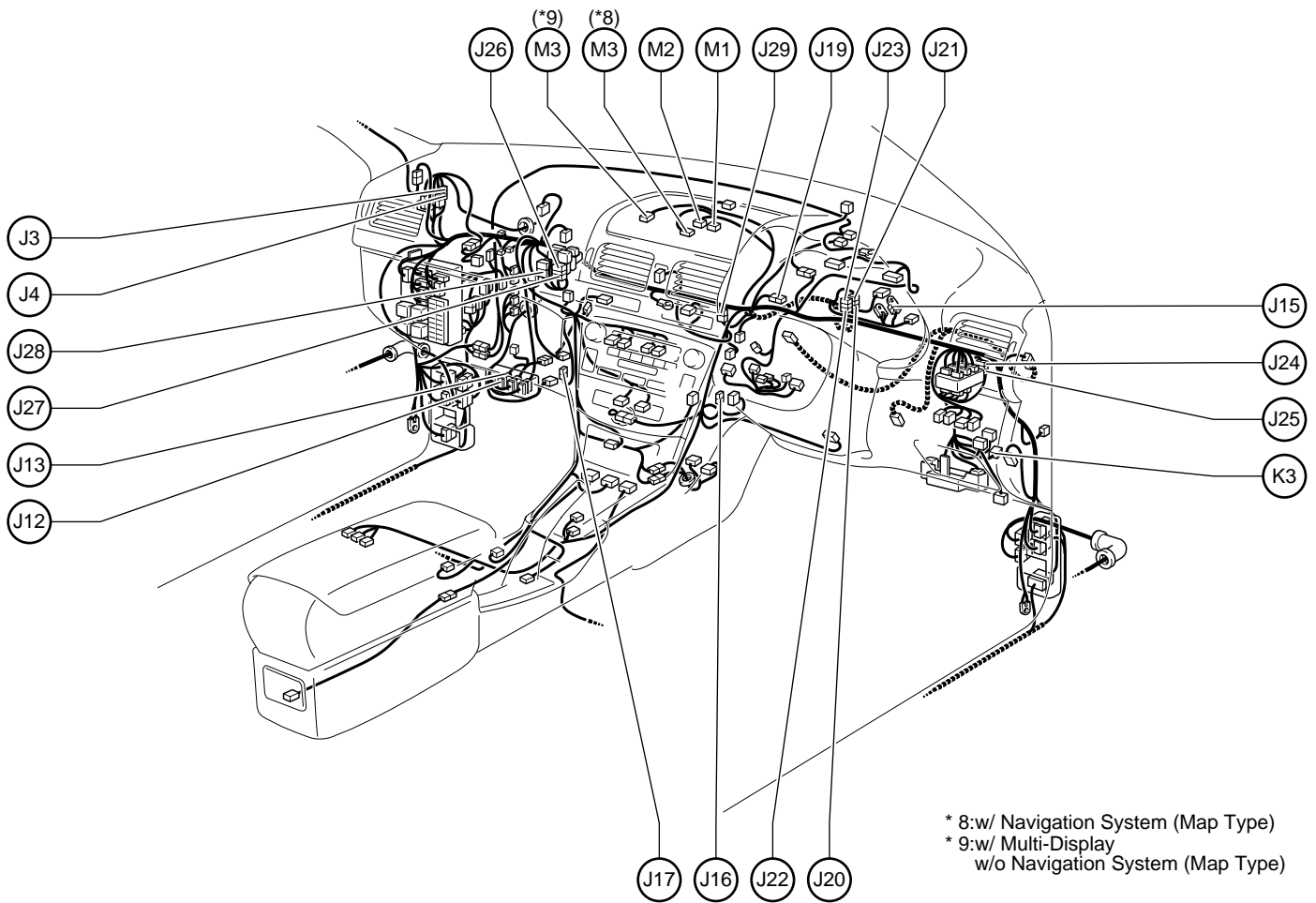
H 13 Hazard SW
 H 14 Headlight Beam Level Control ECU
 H 15 Headlight Beam Level Control SW
 H 16 Headlight Cleaner SW
 H 17 Heated Oxygen Sensor (Bank 1 Sensor 2)
 H 18 Height Control Sensor (Front)

I 11 Ignition Key Cylinder Light
 I 12 Ignition Key Cylinder Light
 Transponder Key Amplifier
 I 13 Ignition SW
 I 14 Integration Relay

G ELECTRICAL WIRING ROUTING

Position of Parts in Instrument Panel

[RHD]



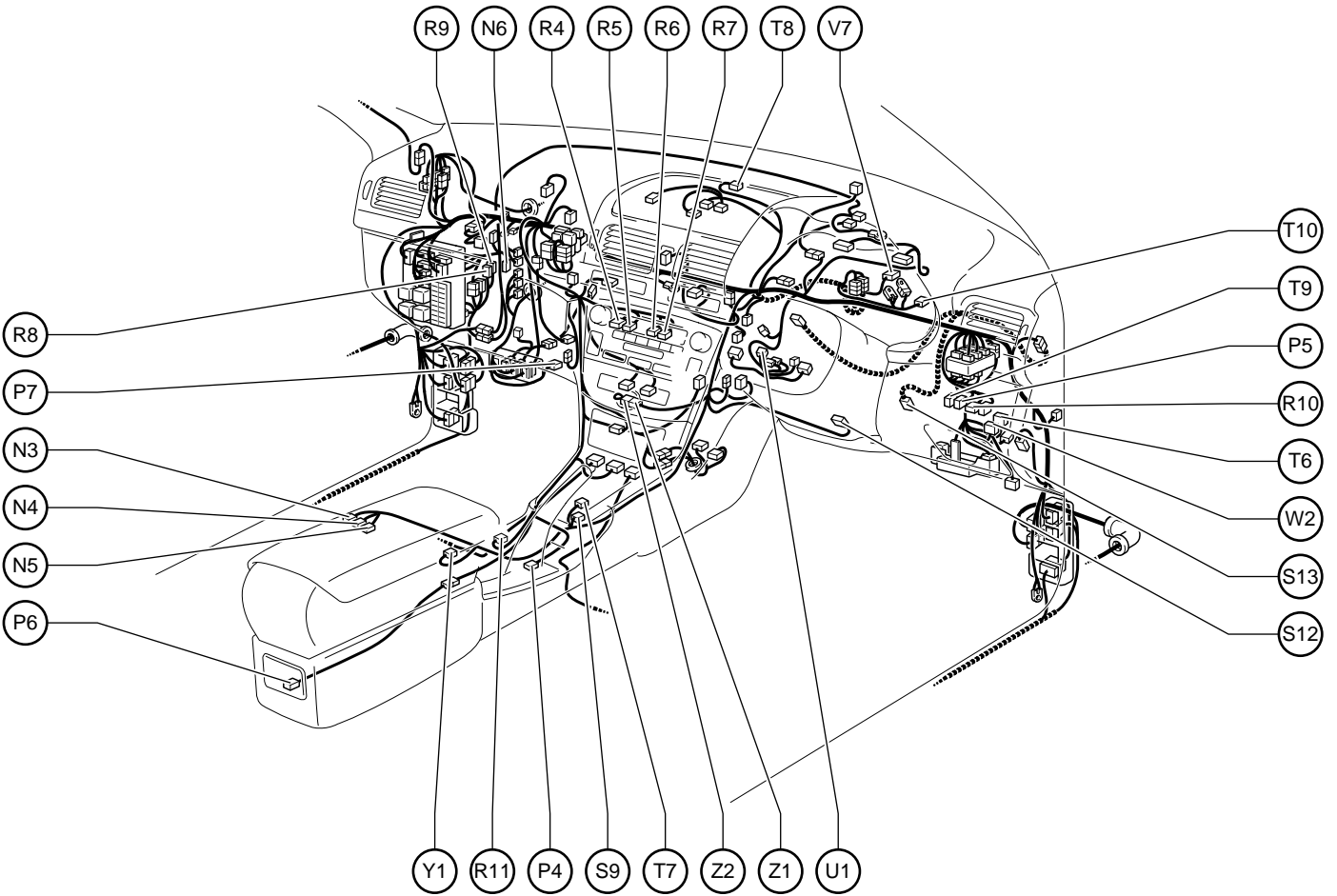
* 8:w/ Navigation System (Map Type)
 * 9:w/ Multi-Display
 w/o Navigation System (Map Type)

- J 3 Junction Connector
- J 4 Junction Connector
- J 12 Junction Connector
- J 13 Junction Connector
- J 15 Junction Connector
- J 16 Junction Connector
- J 17 Junction Connector
- J 19 Junction Connector
- J 20 Junction Connector
- J 21 Junction Connector
- J 22 Junction Connector
- J 23 Junction Connector
- J 24 Junction Connector
- J 25 Junction Connector
- J 26 Junction Connector
- J 27 Junction Connector
- J 28 Junction Connector
- J 29 Junction Connector

- K 3 Knee Airbag Squib
- M 1 Multi-Display
- M 2 Multi-Display
- M 3 Multi-Display

Position of Parts in Instrument Panel

[RHD]



N 3 Navigation ECU
 N 4 Navigation ECU
 N 5 Navigation ECU
 N 6 Noise Filter (Rear Window Defogger No.1)

P 4 Parking Brake SW
 P 5 Power Heater SW
 P 6 Power Outlet
 P 7 PTC Heater

R 4 Radio and Player
 R 5 Radio and Player
 R 6 Radio and Player
 R 7 Radio and Player
 R 8 Rear Fog Light Relay
 R 9 Rear Window Defogger Relay
 R10 Remote Control Mirror SW
 R11 Remote Controller (Navigation)

S 9 Shift Lock Control ECU
 S12 Steering Sensor
 S13 Stop Light SW

T 6 Theft Deterrent ECU
 T 7 Transmission Control SW
 T 8 Transponder Key Computer
 T 9 TRC Off SW
 T10 Turn Signal Flasher Relay

U 1 Unlock Warning SW
 V 7 VSC Warning Buzzer

W 2 Wiper Relay

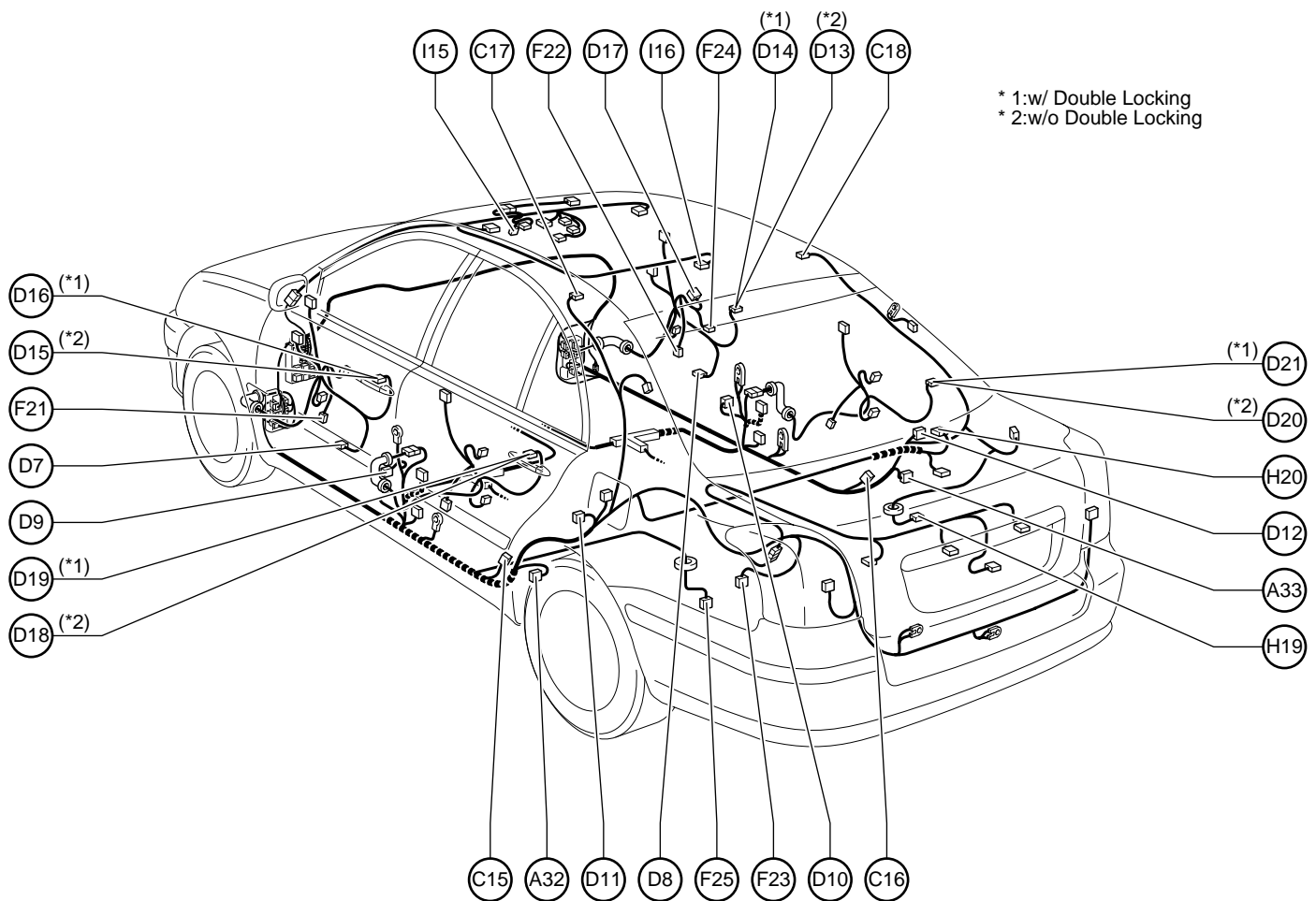
Y 1 Yaw Rate Sensor

Z 1 Option Connector (Navigation ECU)
 Z 2 Option Connector (Navigation ECU)

G ELECTRICAL WIRING ROUTING

Position of Parts in Body

[RHD : S/D]



* 1:w/ Double Locking
* 2:w/o Double Locking

A32 ABS Speed Sensor Rear LH
A33 ABS Speed Sensor Rear RH

C15 Curtain Shield Airbag Sensor LH
C16 Curtain Shield Airbag Sensor RH
C17 Curtain Shield Airbag Squib LH
C18 Curtain Shield Airbag Squib RH

D 7 Door Courtesy Light LH
D 8 Door Courtesy Light RH
D 9 Door Courtesy SW Front LH
D10 Door Courtesy SW Front RH
D11 Door Courtesy SW Rear LH
D12 Door Courtesy Motor Rear RH
D13 Door Key Lock and Unlock SW (Driver's Side)
Door Lock Control Motor (Driver's Side)
Door Unlock Detection SW (Driver's Side)
D14 Door Key Lock and Unlock SW (Driver's Side)
Door Lock Control Motor (Driver's Side)
Door Unlock Detection SW (Driver's Side)
Double Lock Motor (Driver's Side)
Double Lock Position SW (Driver's Side)
D15 Door Lock Control Motor (Front Passenger's Side)
D16 Door Lock Control Motor (Front Passenger's Side)
Door Unlock Detection SW (Front Passenger's Side)
Double Lock Motor (Front Passenger's Side)
Double Lock Position SW (Front Passenger's Side)

D17 Door Lock Control SW
Power Window Master SW
D18 Door Lock Motor Rear LH
D19 Door Lock Motor Rear LH
Door Unlock Detection SW Rear LH
Double Lock Motor Rear LH
Double Lock Position SW Rear LH
D20 Door Lock Motor Rear RH
D21 Door Lock Motor Rear RH
Door Unlock Detection SW Rear RH
Double Lock Motor Rear RH
Double Lock Position SW Rear RH

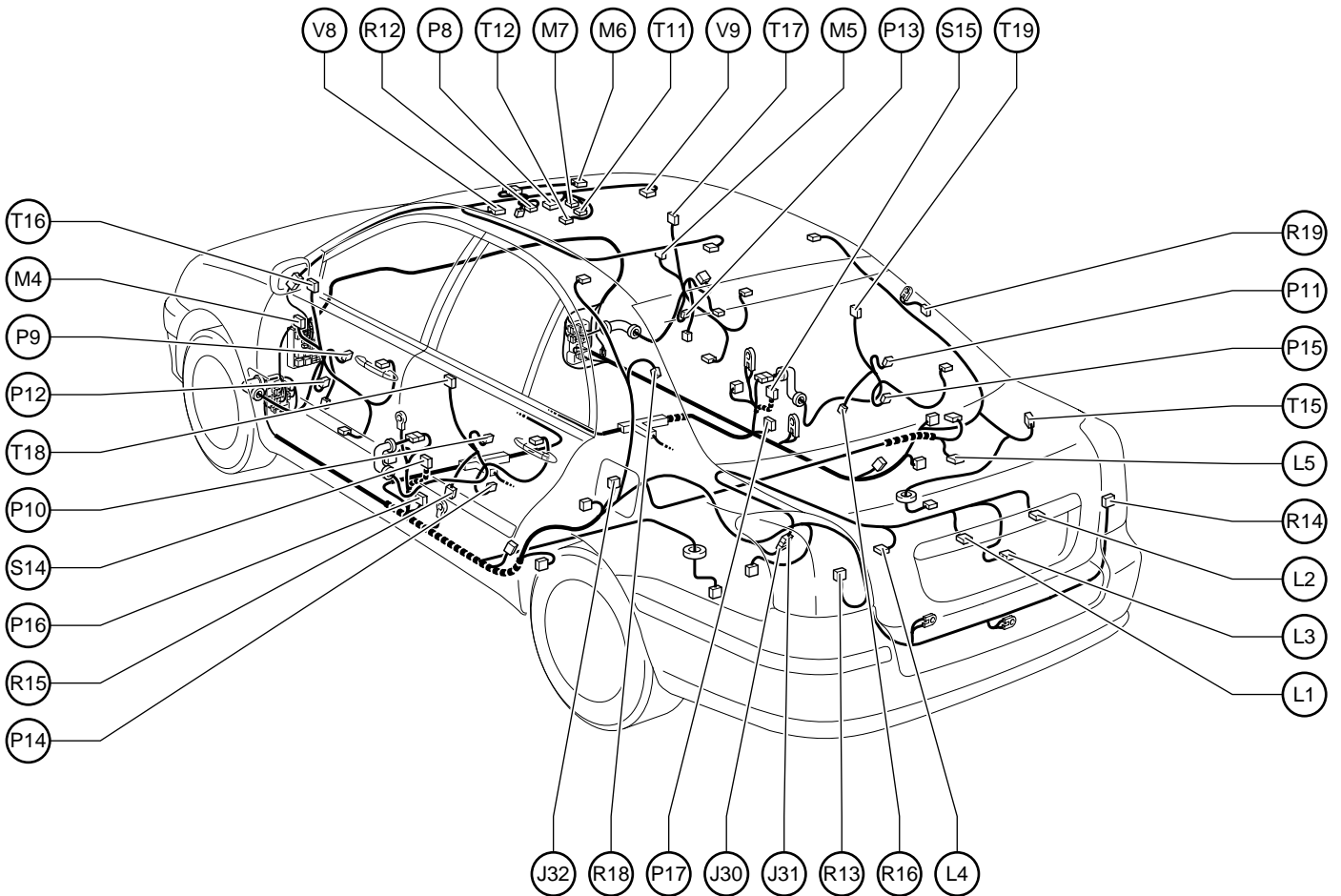
F 21 Front Door Speaker LH
F 22 Front Door Speaker RH
F 23 Fuel Lid Opener Motor
F 24 Fuel Lid Opener SW
F 25 Fuel Pump
Fuel Sender

H19 Height Control Sensor (Rear)
H20 High Mounted Stop Light

I 15 Inner Mirror
I 16 Interior Light

Position of Parts in Body

[RHD : S/D]



J 30 Junction Connector
 J 31 Junction Connector
 J 32 Junction Connector

L 1 License Plate Light LH
 L 2 License Plate Light RH
 L 3 Luggage Compartment Door Lock Motor
 Luggage Compartment Light SW
 L 4 Luggage Compartment Door Opener SW
 L 5 Luggage Compartment Light

M 4 Mirror Heater LH
 Remote Control Mirror LH
 M 5 Mirror Heater RH
 Remote Control Mirror RH
 M 6 Moon Roof Control Relay and Motor
 M 7 Moon Roof Control SW

P 8 Personal Light
 P 9 Power Window Control SW (Front Passenger Side)
 P10 Power Window Control SW Rear LH
 P11 Power Window Control SW Rear RH
 P12 Power Window Motor Front LH
 P13 Power Window Motor Front RH
 P14 Power Window Motor Rear LH

P 15 Power Window Motor Rear RH
 P16 Pretensioner LH
 P17 Pretensioner RH

R12 Rain Sensor
 R13 Rear Combination Light LH
 R14 Rear Combination Light RH
 R15 Rear Door Speaker LH
 R16 Rear Door Speaker RH
 R18 Rear Window Defogger
 R19 Rear Window Defogger

S14 Side Airbag Sensor LH
 S15 Side Airbag Sensor RH

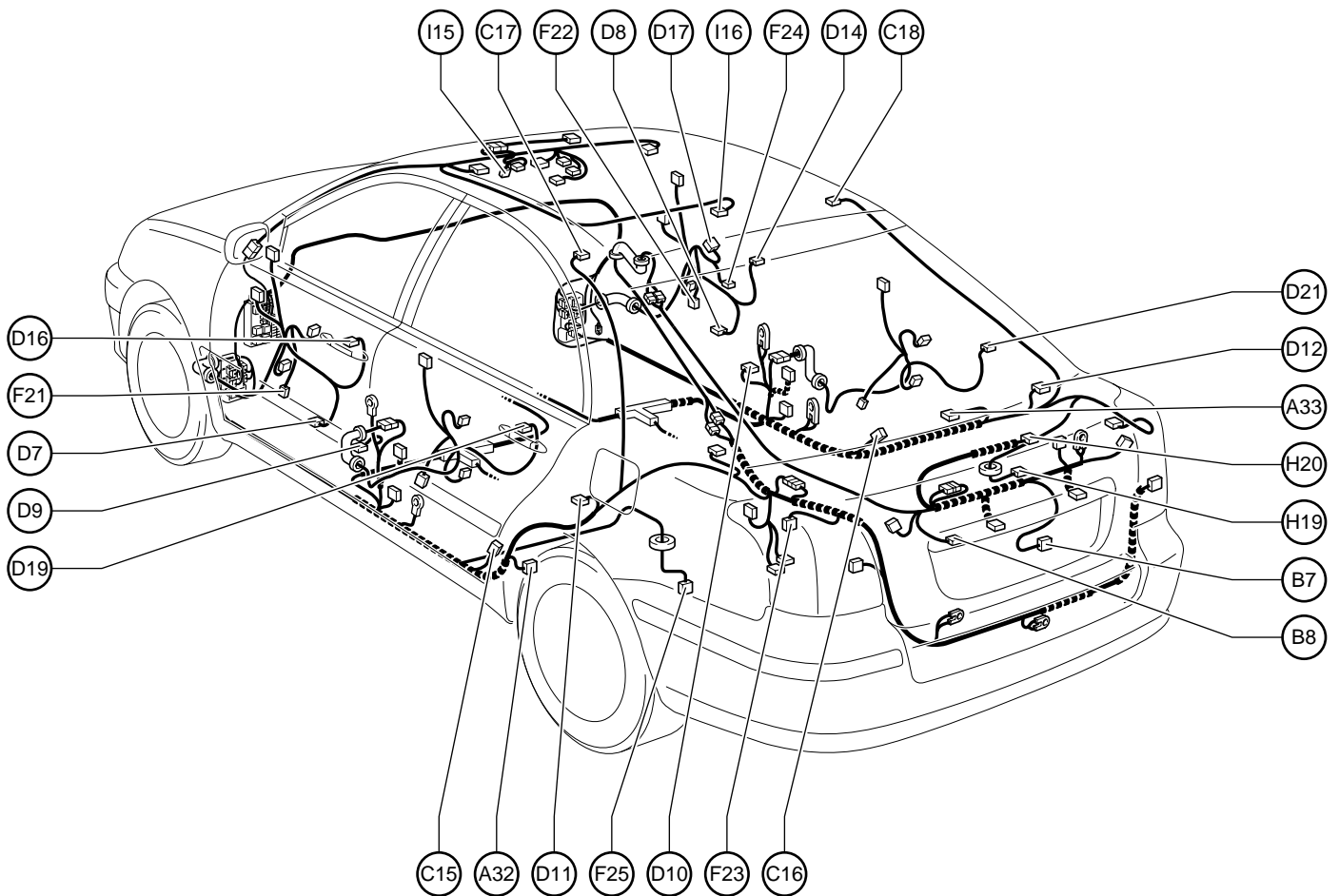
T 11 Telephone Microphone Amplifier
 T12 Theft Warning Ultrasonic Sensor
 T15 Theft Warning Siren
 T16 Tweeter Front LH
 T17 Tweeter Front RH
 T18 Tweeter Rear LH
 T19 Tweeter Rear RH

V 8 Vanity Light LH
 V 9 Vanity Light RH

G ELECTRICAL WIRING ROUTING

Position of Parts in Body

[RHD : L/B]



A32 ABS Speed Sensor Rear LH
A33 ABS Speed Sensor Rear RH

B 7 Back Door Courtesy SW
Back Door Lock Motor
B 8 Back Door Opener SW

C15 Curtain Shield Airbag Sensor LH
C16 Curtain Shield Airbag Sensor RH
C17 Curtain Shield Airbag Squib LH
C18 Curtain Shield Airbag Squib RH

D 7 Door Courtesy Light LH
D 8 Door Courtesy Light RH
D 9 Door Courtesy SW Front LH
D10 Door Courtesy SW Front RH
D11 Door Courtesy SW Rear LH
D12 Door Courtesy SW Rear RH
D14 Door Key Lock and Unlock SW (Driver's Side)
Door Lock Control Motor (Driver's Side)
Door Unlock Detection SW (Driver's Side)
Double Lock Motor (Driver's Side)
Double Lock Position SW (Driver's Side)
D16 Door Lock Control Motor (Front Passenger's Side)
Door Unlock Detection SW (Front Passenger's Side)
Double Lock Motor (Front Passenger's Side)
Double Lock Position SW (Front Passenger's Side)

D17 Door Lock Control SW
Power Window Master SW
D19 Door Lock Motor Rear LH
Door Unlock Detection SW Rear LH
Double Lock Motor Rear LH
Double Lock Position SW Rear LH
D21 Door Lock Motor Rear RH
Door Unlock Detection SW Rear RH
Double Lock Motor Rear RH
Double Lock Position SW Rear RH

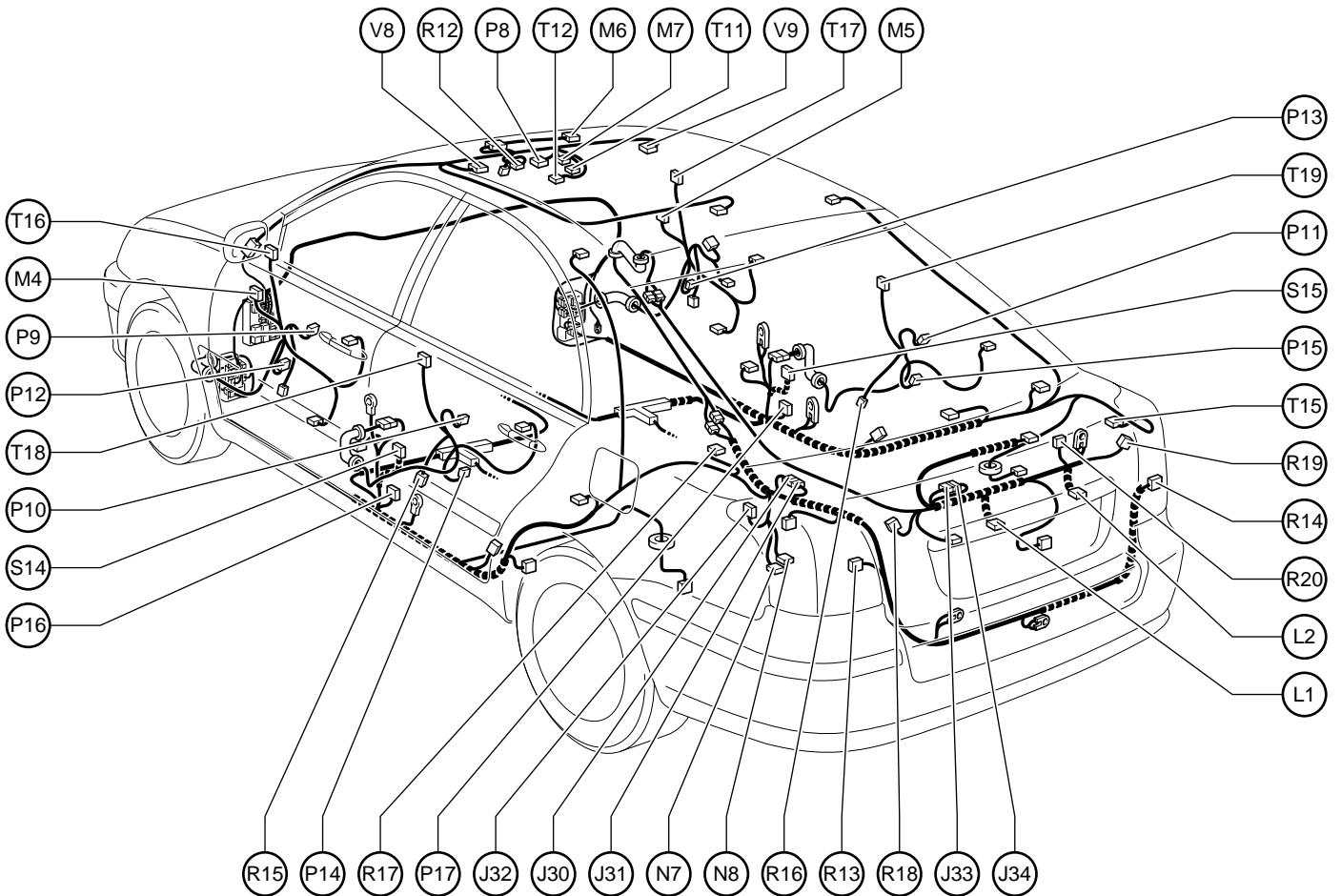
F 21 Front Door Speaker LH
F 22 Front Door Speaker RH
F 23 Fuel Lid Opener Motor
F 24 Fuel Lid Opener SW
F 25 Fuel Pump
Fuel Sender

H19 Height Control Sensor (Rear)
H20 High Mounted Stop Light

I 15 Inner Mirror
I 16 Interior Light

Position of Parts in Body

[RHD : L/B]



J 30 Junction Connector
 J 31 Junction Connector
 J 32 Junction Connector
 J 33 Junction Connector
 J 34 Junction Connector

L 1 License Plate Light LH
 L 2 License Plate Light RH

M 4 Mirror Heater LH
 Remote Control Mirror LH
 M 5 Mirror Heater RH
 Remote Control Mirror RH

M 6 Moon Roof Control Relay and Motor
 M 7 Moon Roof Control SW

N 7 Noise Filter (Rear Window Defogger No.2)
 N 8 Noise Filter (Stop Light)

P 8 Personal Light
 P 9 Power Window Control SW (Front Passenger Side)
 P 10 Power Window Control SW Rear LH
 P 11 Power Window Control SW Rear RH
 P 12 Power Window Motor Front LH
 P 13 Power Window Motor Front RH
 P 14 Power Window Motor Rear LH
 P 15 Power Window Motor Rear RH

P 16 Pretensioner LH
 P 17 Pretensioner RH

R 12 Rain Sensor
 R 13 Rear Combination Light LH
 R 14 Rear Combination Light RH
 R 15 Rear Door Speaker LH
 R 16 Rear Door Speaker RH
 R 17 Rear Interior Light
 R 18 Rear Window Defogger
 R 19 Rear Window Defogger
 R 20 Rear Wiper Motor and Relay

S 14 Side Airbag Sensor LH
 S 15 Side Airbag Sensor RH

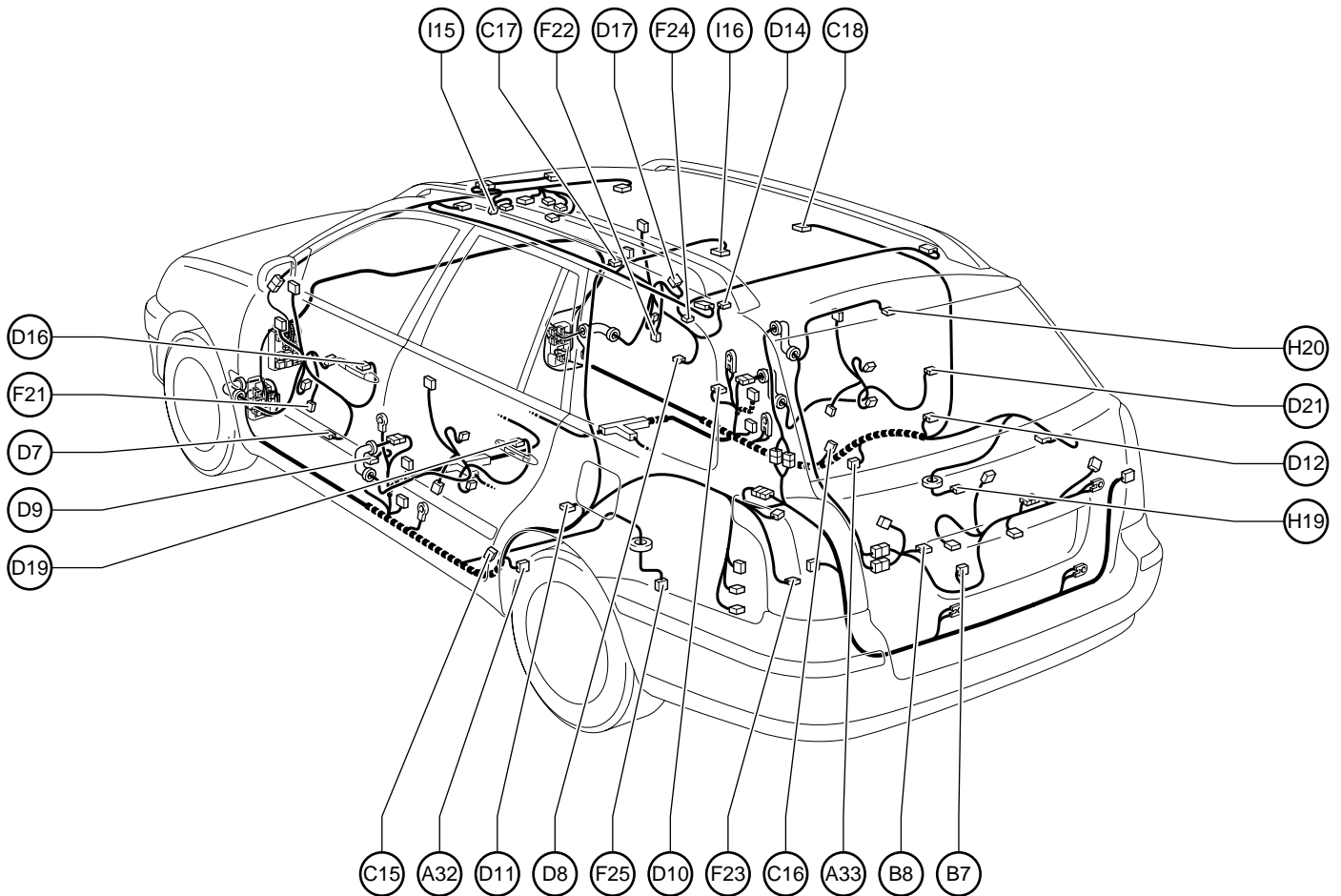
T 11 Telephone Microphone Amplifier
 T 12 Theft Warning Ultrasonic Sensor
 T 15 Theft Warning Siren
 T 16 Tweeter Front LH
 T 17 Tweeter Front RH
 T 18 Tweeter Rear LH
 T 19 Tweeter Rear RH

V 8 Vanity Light LH
 V 9 Vanity Light RH

G ELECTRICAL WIRING ROUTING

Position of Parts in Body

[RHD : W/G]



A32 ABS Speed Sensor Rear LH
A33 ABS Speed Sensor Rear RH

B 7 Back Door Courtesy SW
Back Door Lock Motor
B 8 Back Door Opener SW

C15 Curtain Shield Airbag Sensor LH
C16 Curtain Shield Airbag Sensor RH
C17 Curtain Shield Airbag Squib LH
C18 Curtain Shield Airbag Squib RH

D 7 Door Courtesy Light LH
D 8 Door Courtesy Light RH
D 9 Door Courtesy SW Front LH
D10 Door Courtesy SW Front RH
D11 Door Courtesy SW Rear LH
D12 Door Courtesy SW Rear RH
D14 Door Key Lock and Unlock SW (Driver's Side)
Door Lock Control Motor (Driver's Side)
Door Unlock Detection SW (Driver's Side)
Double Lock Motor (Driver's Side)
Double Lock Position SW (Driver's Side)
D16 Door Lock Control Motor (Front Passenger's Side)
Door Unlock Detection SW (Front Passenger's Side)
Double Lock Motor (Front Passenger's Side)
Double Lock Position SW (Front Passenger's Side)

D17 Door Lock Control SW
Power Window Master SW
D19 Door Lock Motor Rear LH
Door Unlock Detection SW Rear LH
Double Lock Motor Rear LH
Double Lock Position SW Rear LH
D21 Door Lock Motor Rear RH
Door Unlock Detection SW Rear RH
Double Lock Motor Rear RH
Double Lock Position SW Rear RH

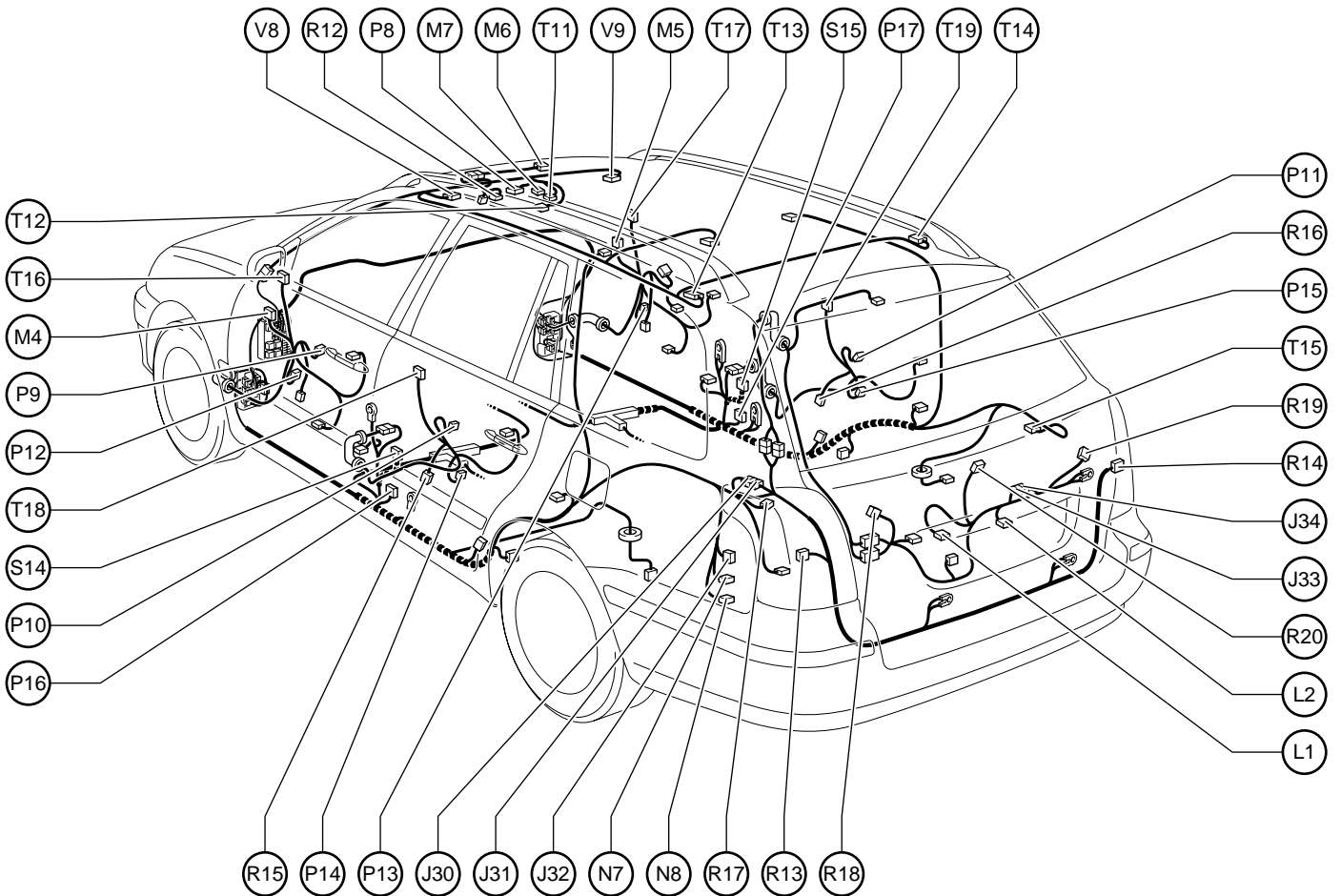
F21 Front Door Speaker LH
F22 Front Door Speaker RH
F23 Fuel Lid Opener Motor
F24 Fuel Lid Opener SW
F25 Fuel Pump
Fuel Sender

H19 Height Control Sensor (Rear)
H20 High Mounted Stop Light

I 15 Inner Mirror
I 16 Interior Light

Position of Parts in Body

[RHD : W/G]



J 30 Junction Connector
 J 31 Junction Connector
 J 32 Junction Connector
 J 33 Junction Connector
 J 34 Junction Connector

L 1 License Plate Light LH
 L 2 License Plate Light RH

M 4 Mirror Heater LH
 Remote Control Mirror LH
 M 5 Mirror Heater RH
 Remote Control Mirror RH
 M 6 Moon Roof Control Relay and Motor
 M 7 Moon Roof Control SW

N 7 Noise Filter (Rear Window Defogger No.2)
 N 8 Noise Filter (Stop Light)

P 8 Personal Light
 P 9 Power Window Control SW (Front Passenger Side)
 P 10 Power Window Control SW Rear LH
 P 11 Power Window Control SW Rear RH
 P 12 Power Window Motor Front LH
 P 13 Power Window Motor Front RH
 P 14 Power Window Motor Rear LH
 P 15 Power Window Motor Rear RH
 P 16 Pretensioner LH
 P 17 Pretensioner RH

R 12 Rain Sensor
 R 13 Rear Combination Light LH
 R 14 Rear Combination Light RH
 R 15 Rear Door Speaker LH
 R 16 Rear Door Speaker RH
 R 17 Rear Interior Light
 R 18 Rear Window Defogger
 R 19 Rear Window Defogger Relay
 R 20 Rear Wiper Motor and Relay

S 14 Side Airbag Sensor LH
 S 15 Side Airbag Sensor RH

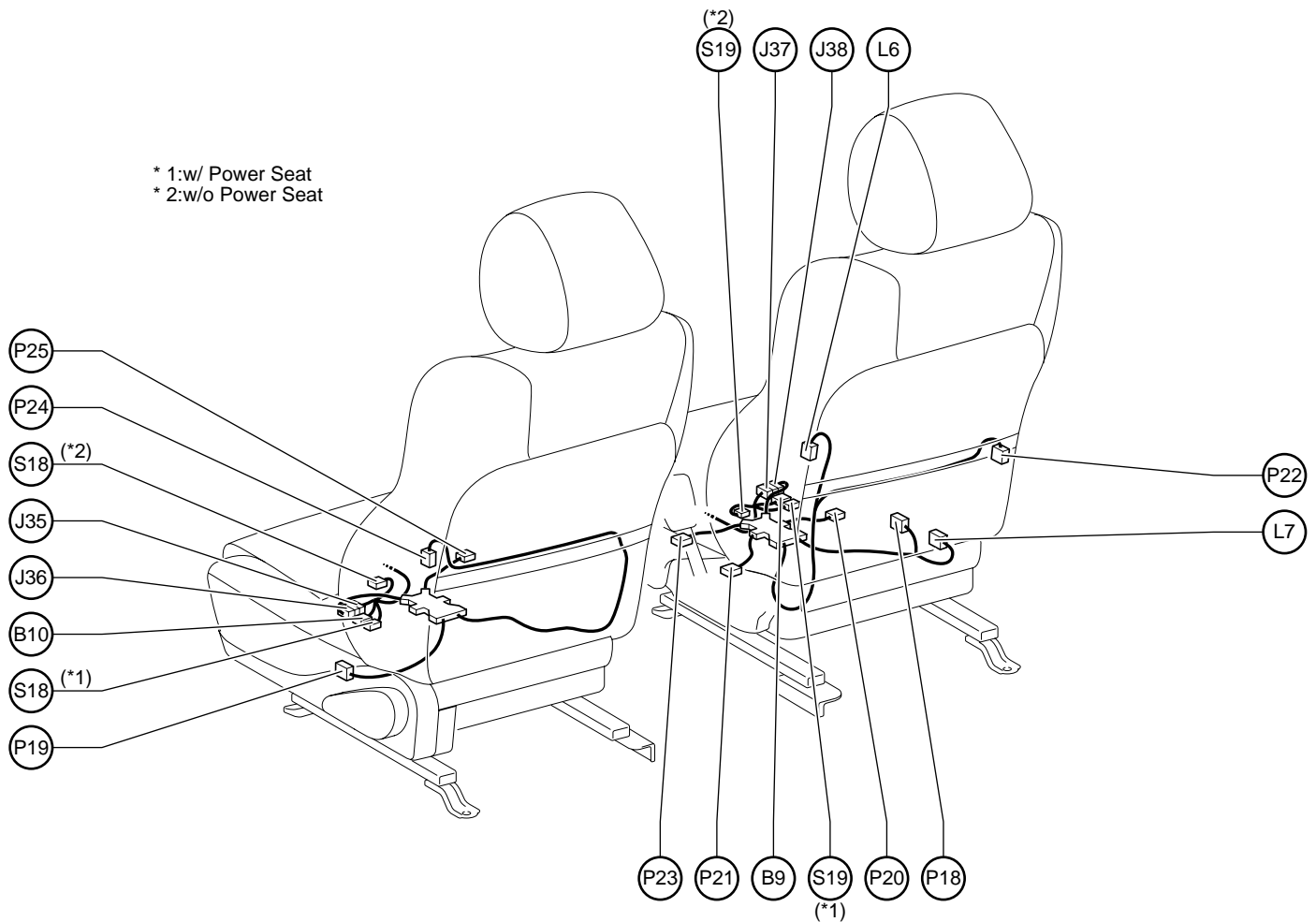
T 11 Telephone Microphone Amplifier
 T 12 Theft Warning Ultrasonic Sensor
 T 13 Theft Warning Ultrasonic Sensor Rear LH
 T 14 Theft Warning Ultrasonic Sensor Rear RH
 T 15 Theft Warning Siren
 T 16 Tweeter Front LH
 T 17 Tweeter Front RH
 T 18 Tweeter Rear LH
 T 19 Tweeter Rear RH

V 8 Vanity Light LH
 V 9 Vanity Light RH

G ELECTRICAL WIRING ROUTING

Position of Parts in Seat

[RHD]



* 1:w/ Power Seat
* 2:w/o Power Seat

- B 9 Buckle SW (Driver's Side)
- B 10 Buckle SW (Front Passenger's Side)
Occupant Detection Sensor
- J 35 Junction Connector
- J 36 Junction Connector
- J 37 Junction Connector
- J 38 Junction Connector
- L 6 Lumbar Support Control Motor
- L 7 Lumbar Support Control SW

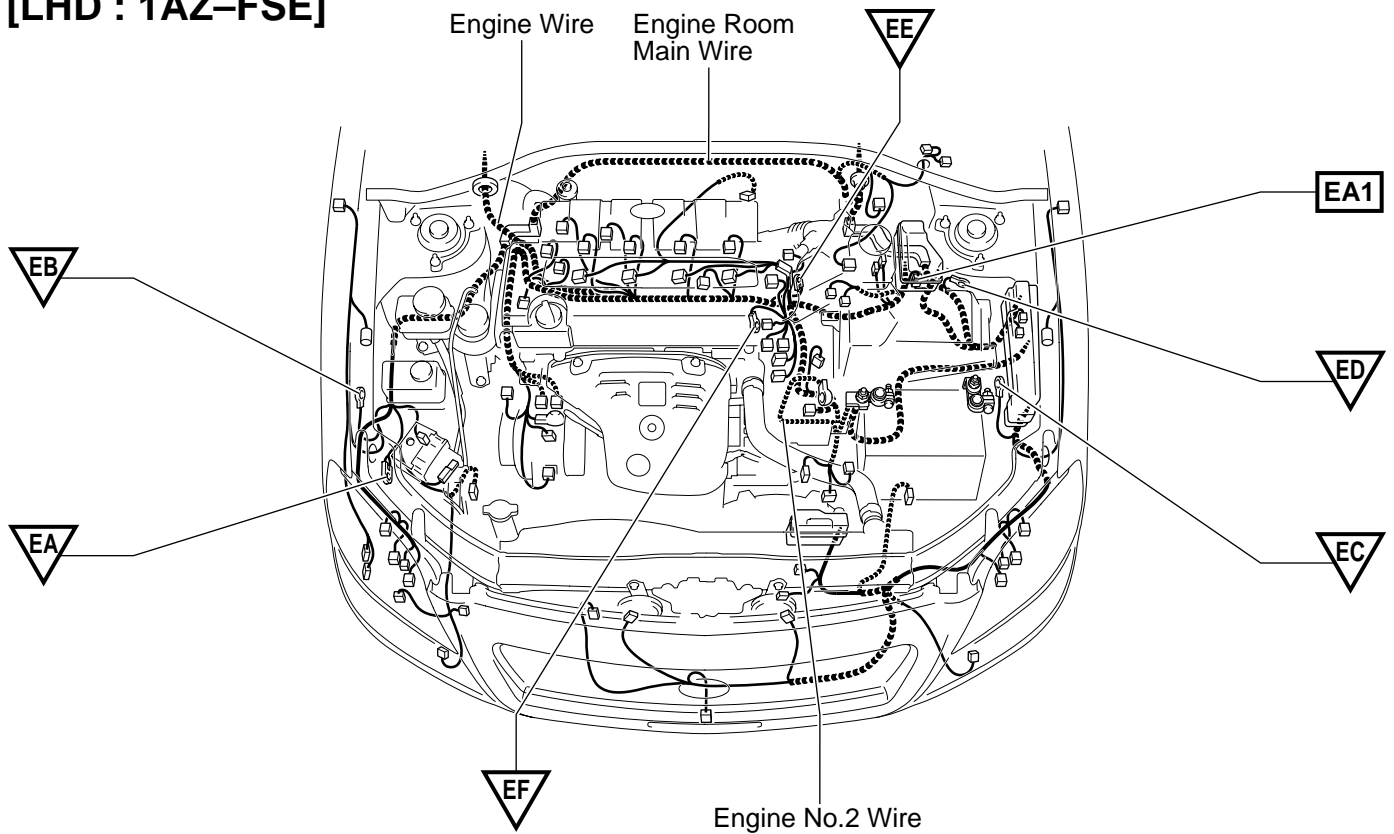
- P 18 Power Seat Control SW (Driver's Seat)
- P 19 Power Seat Control SW (Front Passenger's Seat)
- P 20 Power Seat Motor (Driver's Seat Front Vertical Control)
- P 21 Power Seat Motor (Driver's Seat Lifter Control)
- P 22 Power Seat Motor (Driver's Seat Reclining Control)
- P 23 Power Seat Motor (Driver's Seat Slide Control)
- P 24 Power Seat Motor
(Front Passenger's Seat Reclining Control)
- P 25 Power Seat Motor
(Front Passenger's Seat Slide Control)
- S 18 Side Airbag Squib LH
- S 19 Side Airbag Squib RH

G ELECTRICAL WIRING ROUTING

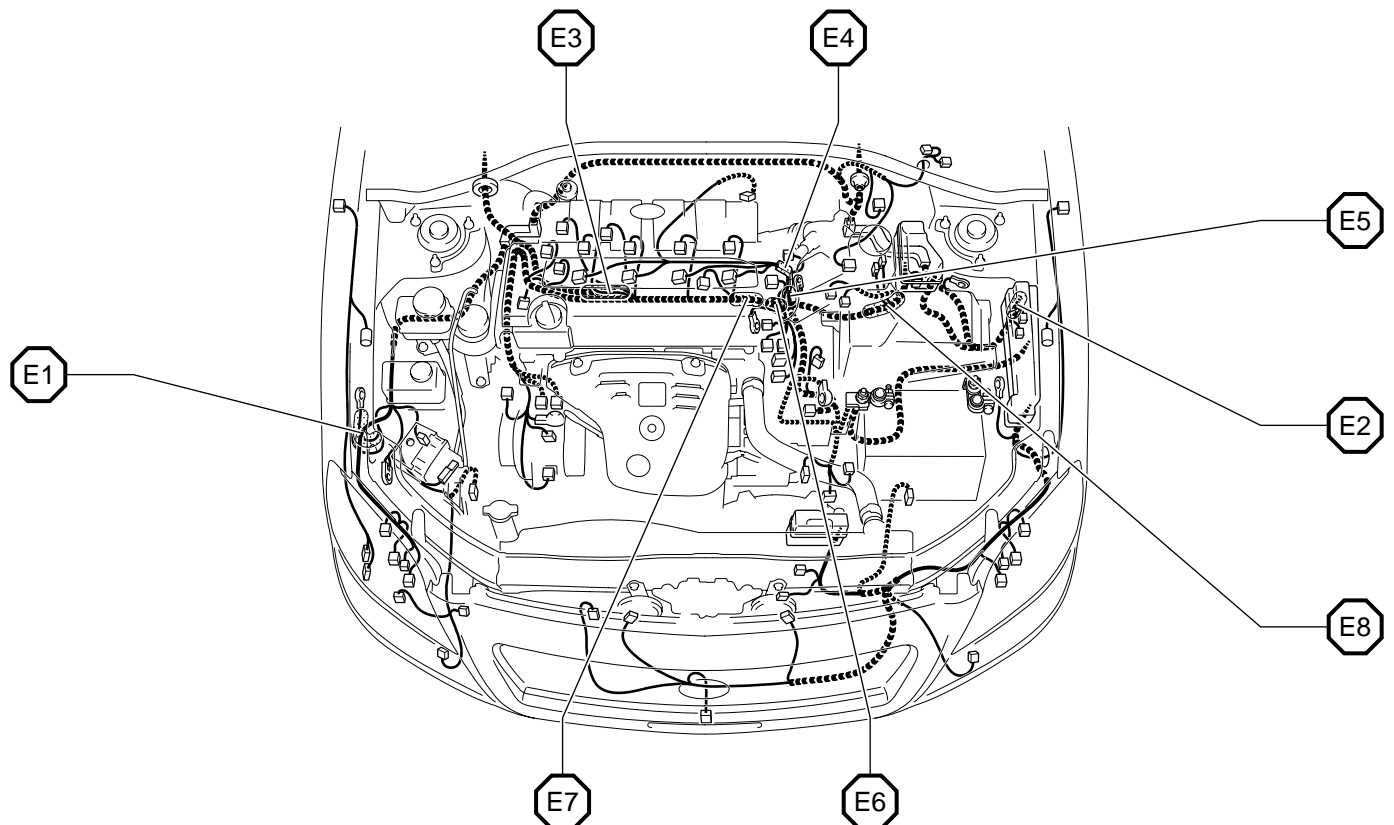
□ : Location of Connector Joining Wire Harness and Wire Harness

▽ : Location of Ground Points

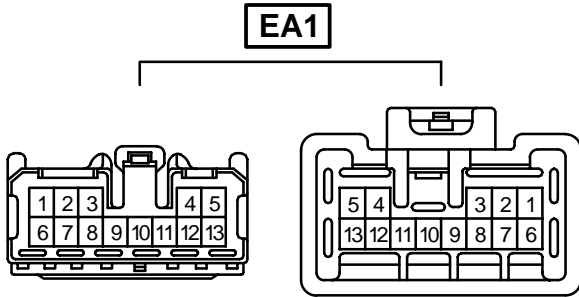
[LHD : 1AZ-FSE]



○ : Location of Splice Points



Connector Joining Wire Harness and Wire Harness



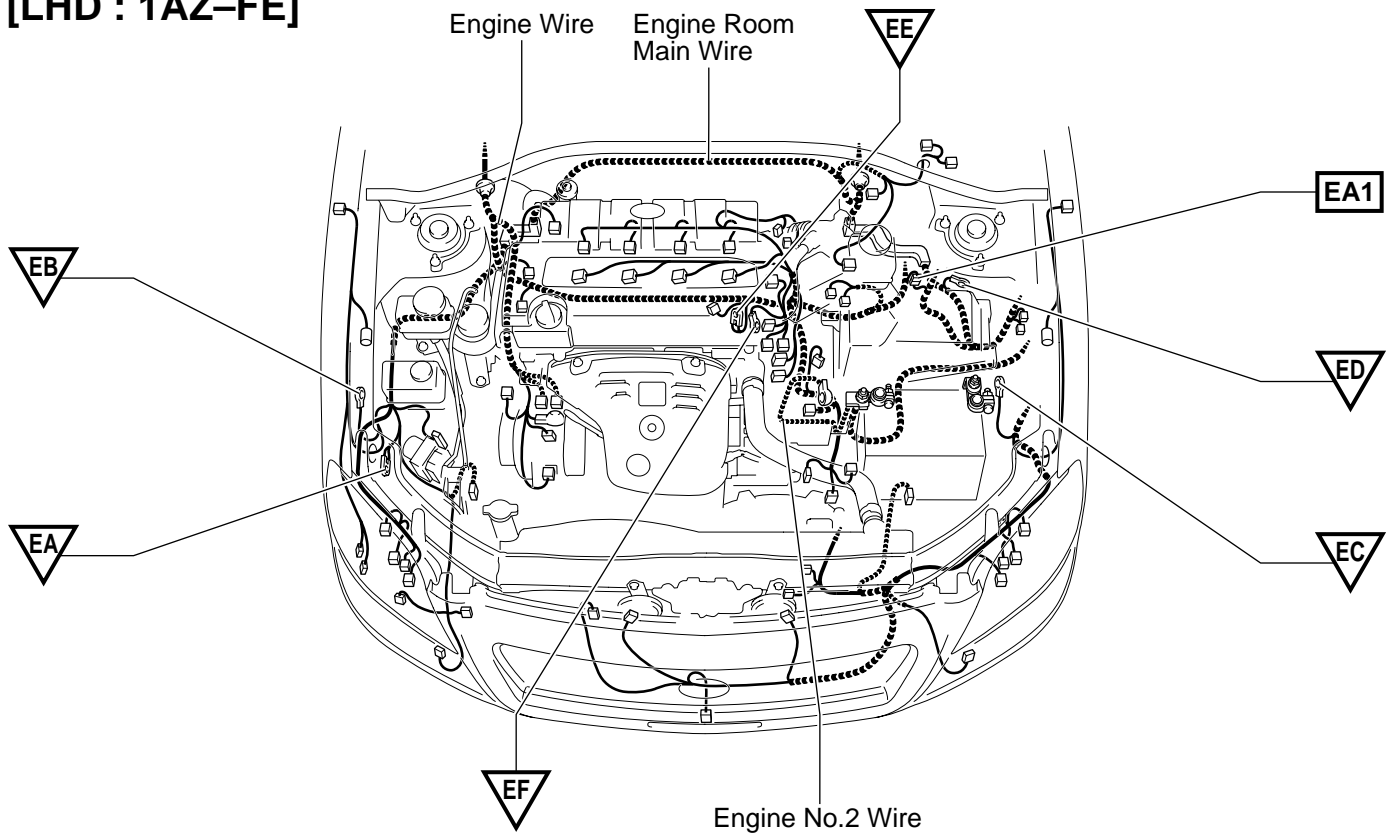
Code	Joining Wire Harness and Wire Harness (Connector Location)
EA1	Engine Wire and Engine Room Main Wire (Left Side of the Suspension Tower)

G ELECTRICAL WIRING ROUTING

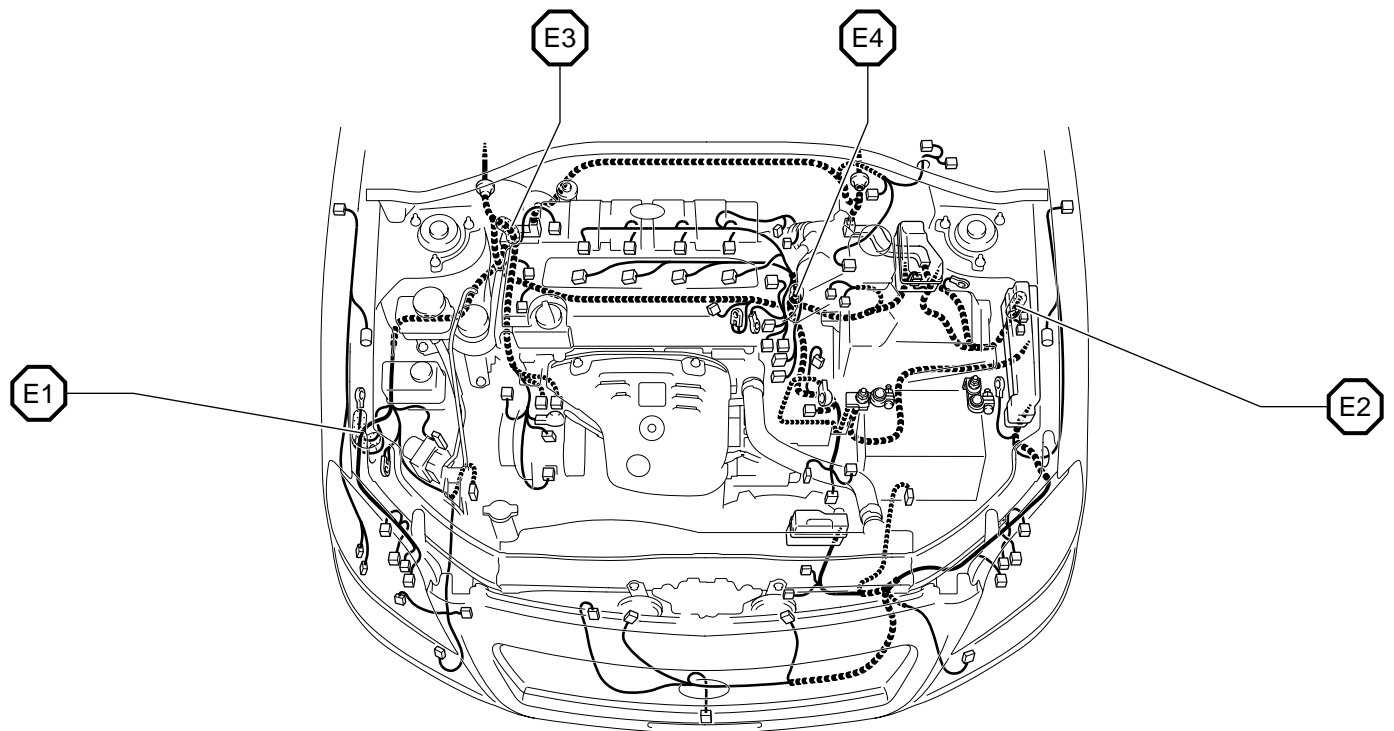
□ : Location of Connector Joining Wire Harness and Wire Harness

▽ : Location of Ground Points

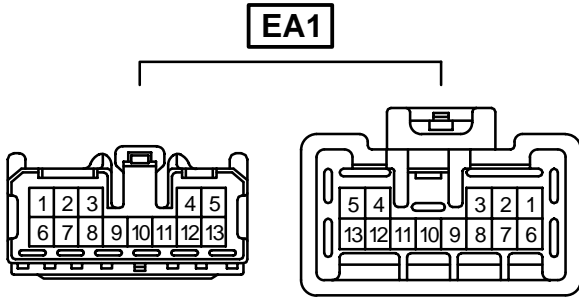
[LHD : 1AZ-FE]



○ : Location of Splice Points



Connector Joining Wire Harness and Wire Harness



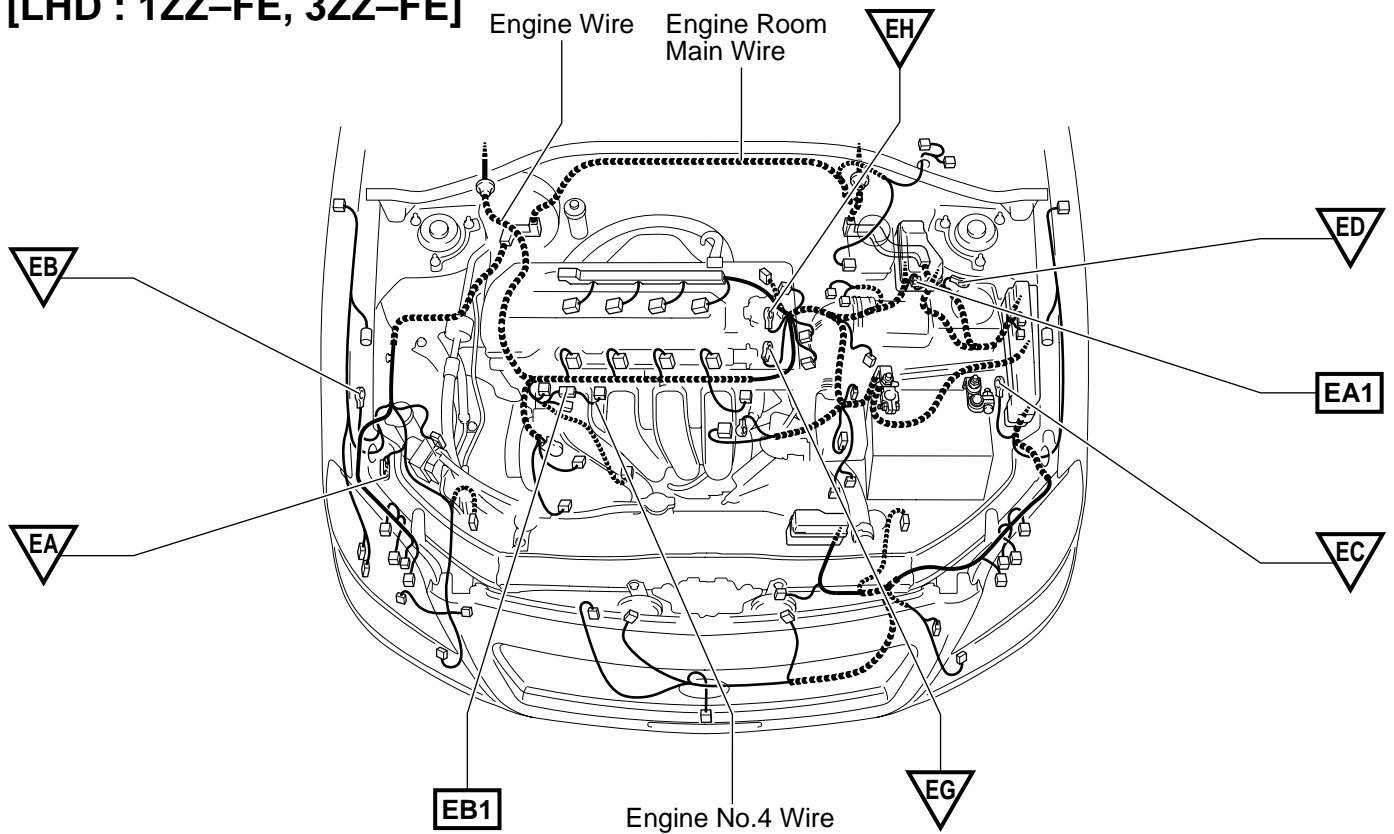
Code	Joining Wire Harness and Wire Harness (Connector Location)
EA1	Engine Wire and Engine Room Main Wire (Left Side of the Suspension Tower)

G ELECTRICAL WIRING ROUTING

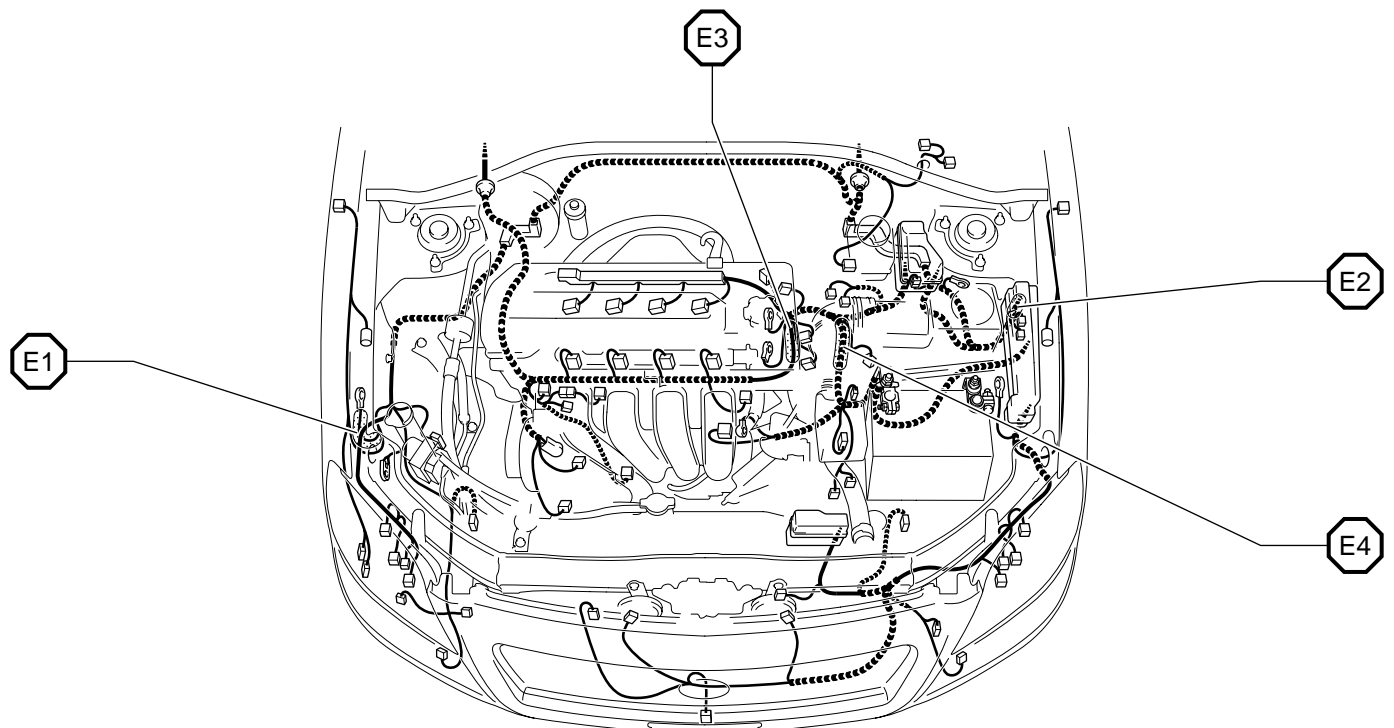
□ : Location of Connector Joining Wire Harness and Wire Harness

▽ : Location of Ground Points

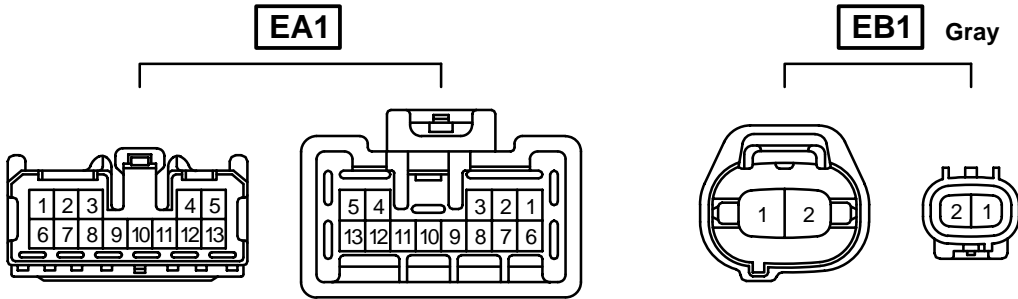
[LHD : 1ZZ-FE, 3ZZ-FE]



○ : Location of Splice Points



Connector Joining Wire Harness and Wire Harness

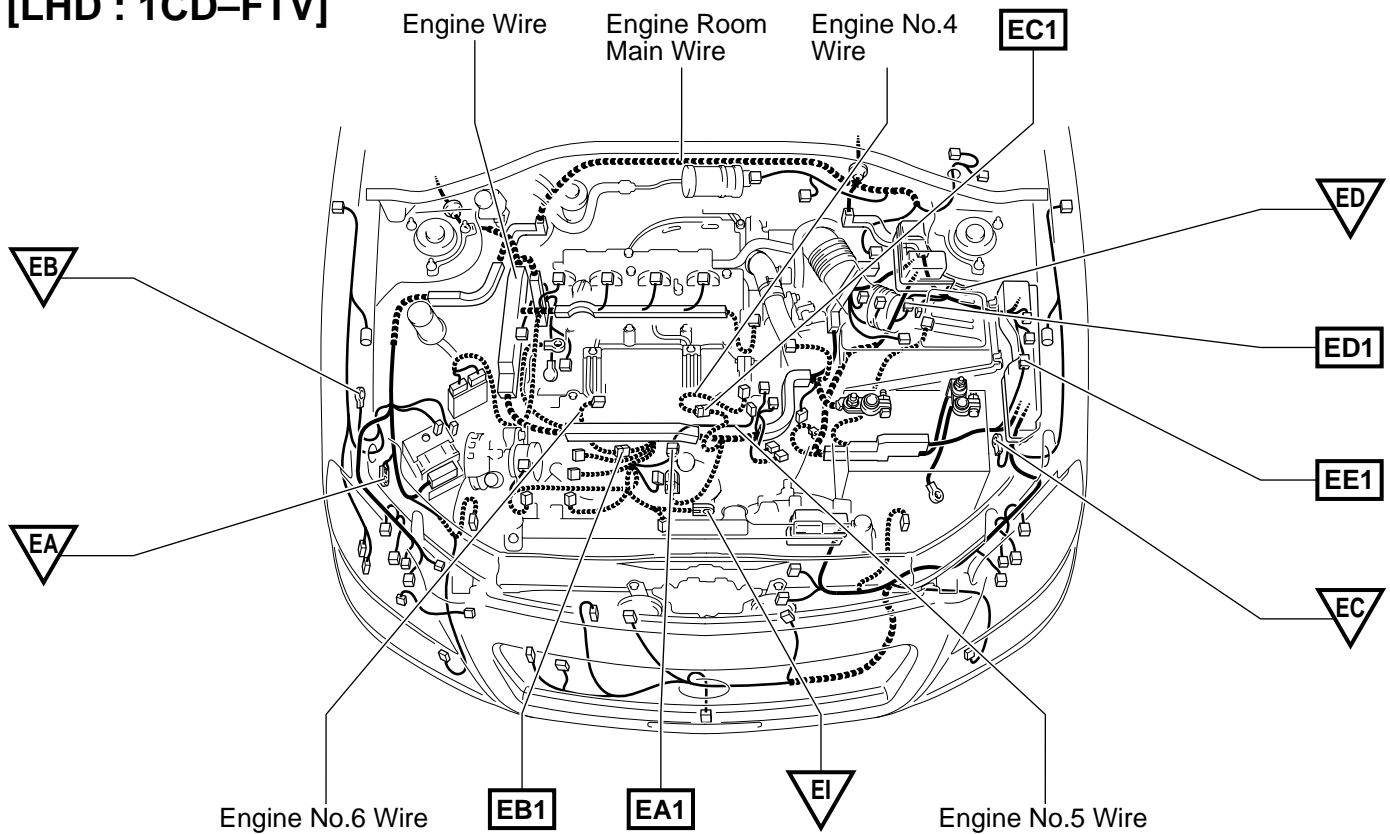


Code	Joining Wire Harness and Wire Harness (Connector Location)
EA1	Engine Wire and Engine Room Main Wire (Left Side of the Suspension Tower)
EB1	Engine Wire and Engine No.4 Wire (Near the Alternator)

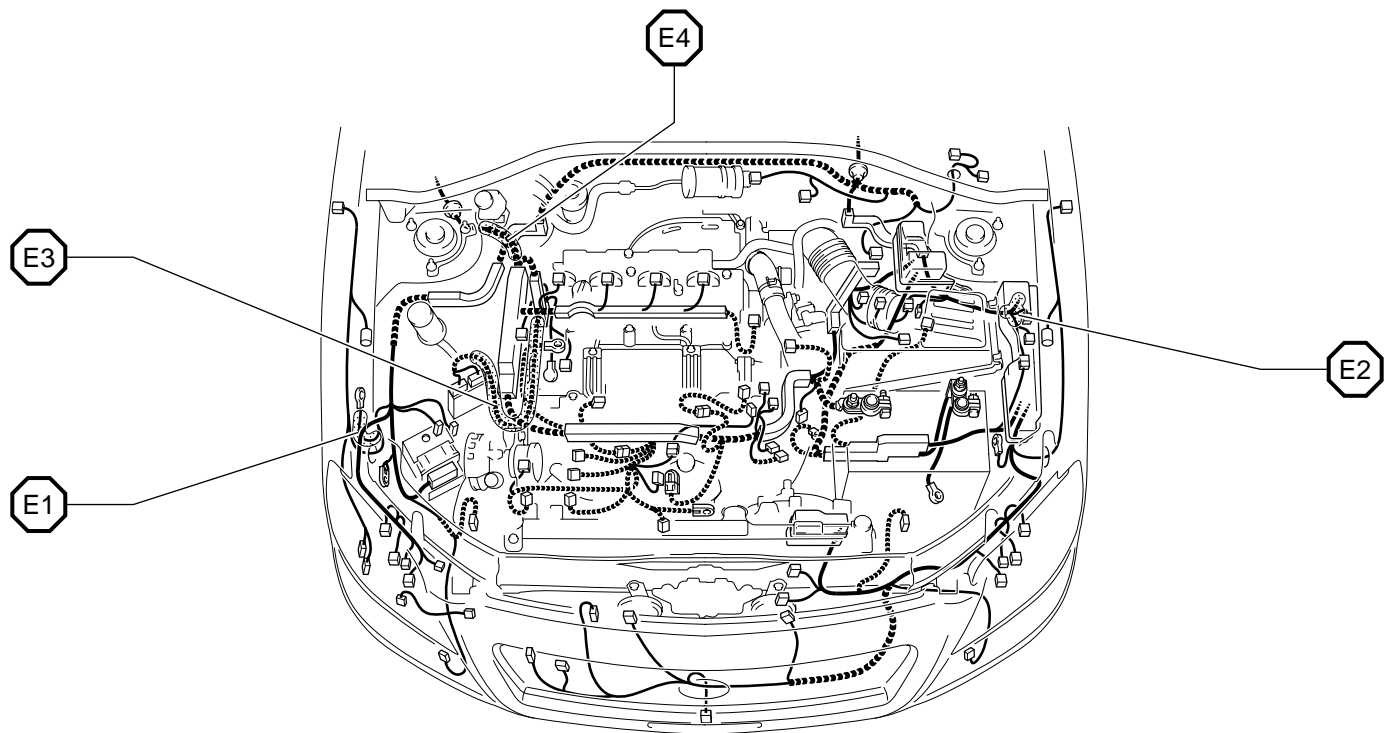
G ELECTRICAL WIRING ROUTING

□ : Location of Connector Joining Wire Harness and Wire Harness
 ▽ : Location of Ground Points

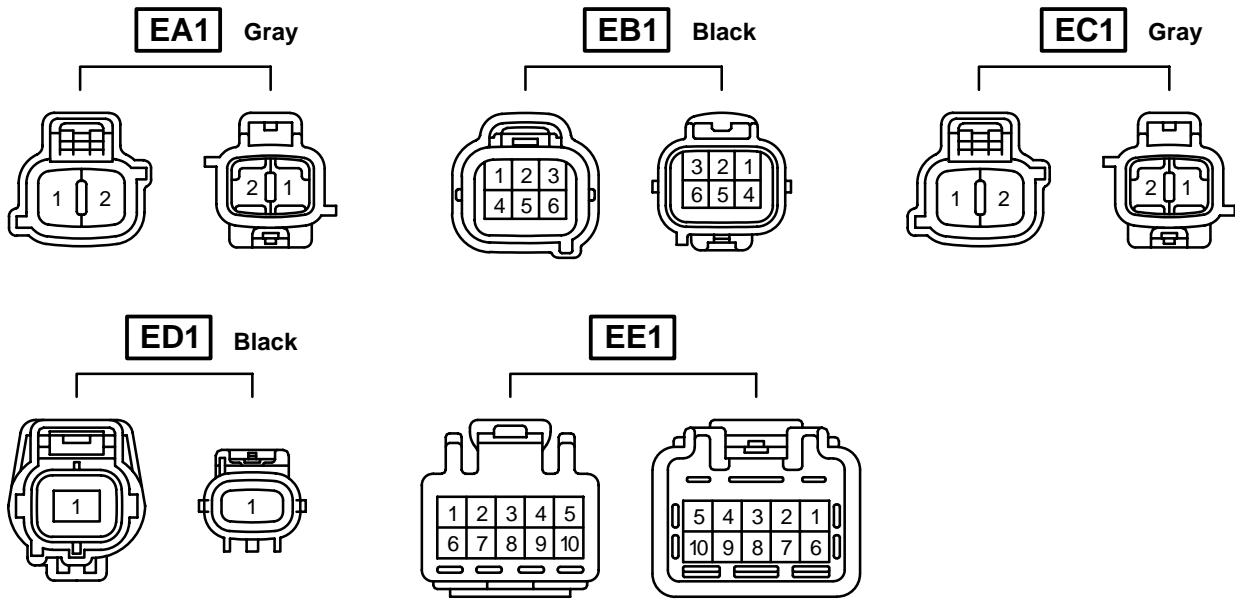
[LHD : 1CD-FTV]



○ : Location of Splice Points



Connector Joining Wire Harness and Wire Harness

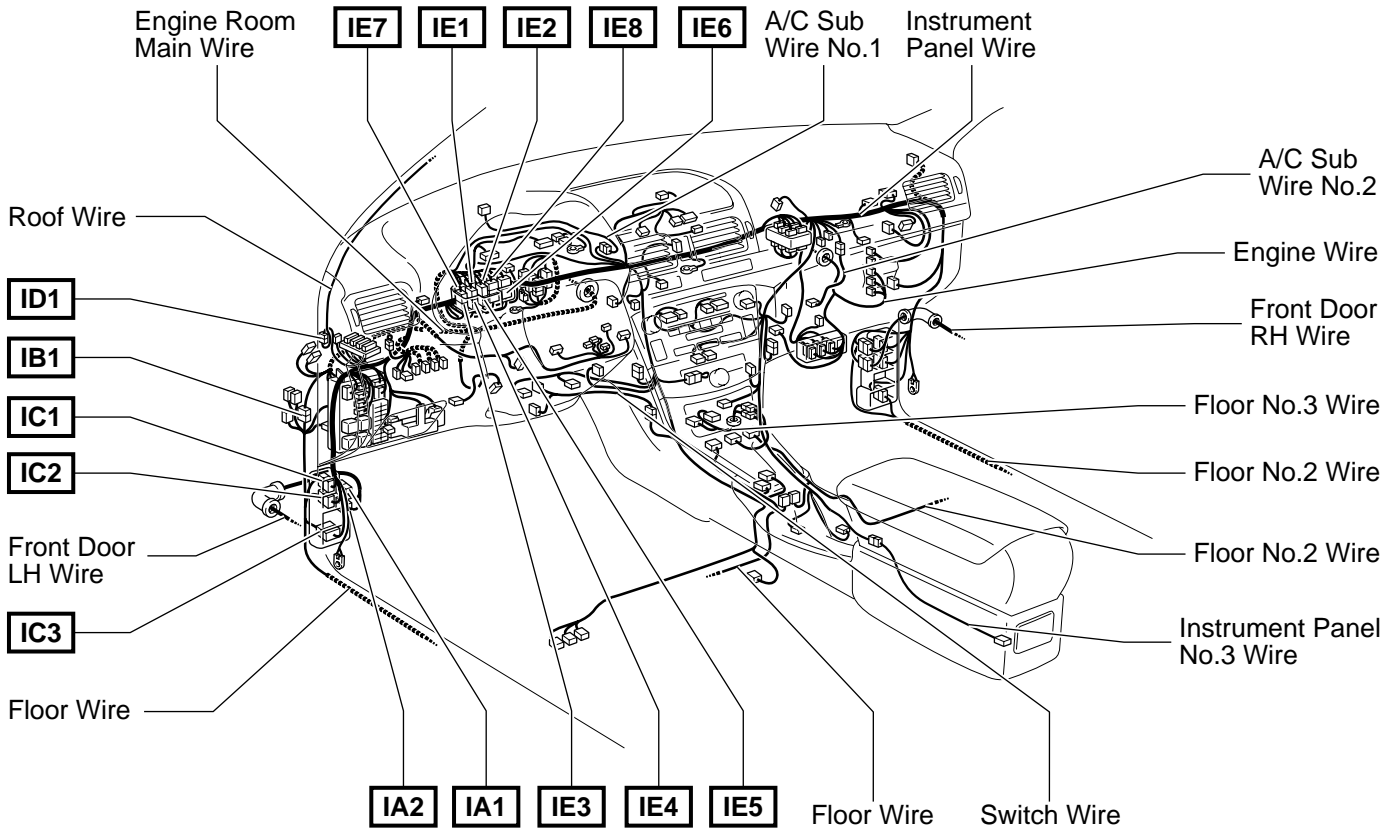


Code	Joining Wire Harness and Wire Harness (Connector Location)
EA1	Engine Wire and Engine No.5 Wire (Near the Starter)
EB1	Engine Wire and Engine No.6 Wire (Near the Starter)
EC1	Engine Wire and Engine No.4 Wire (Near the Starter)
ED1	Engine Wire and Engine Room Main Wire (Left Side of the Suspension Tower)
EE1	Engine Wire and Engine Room Main Wire (Engine Compartment Left)

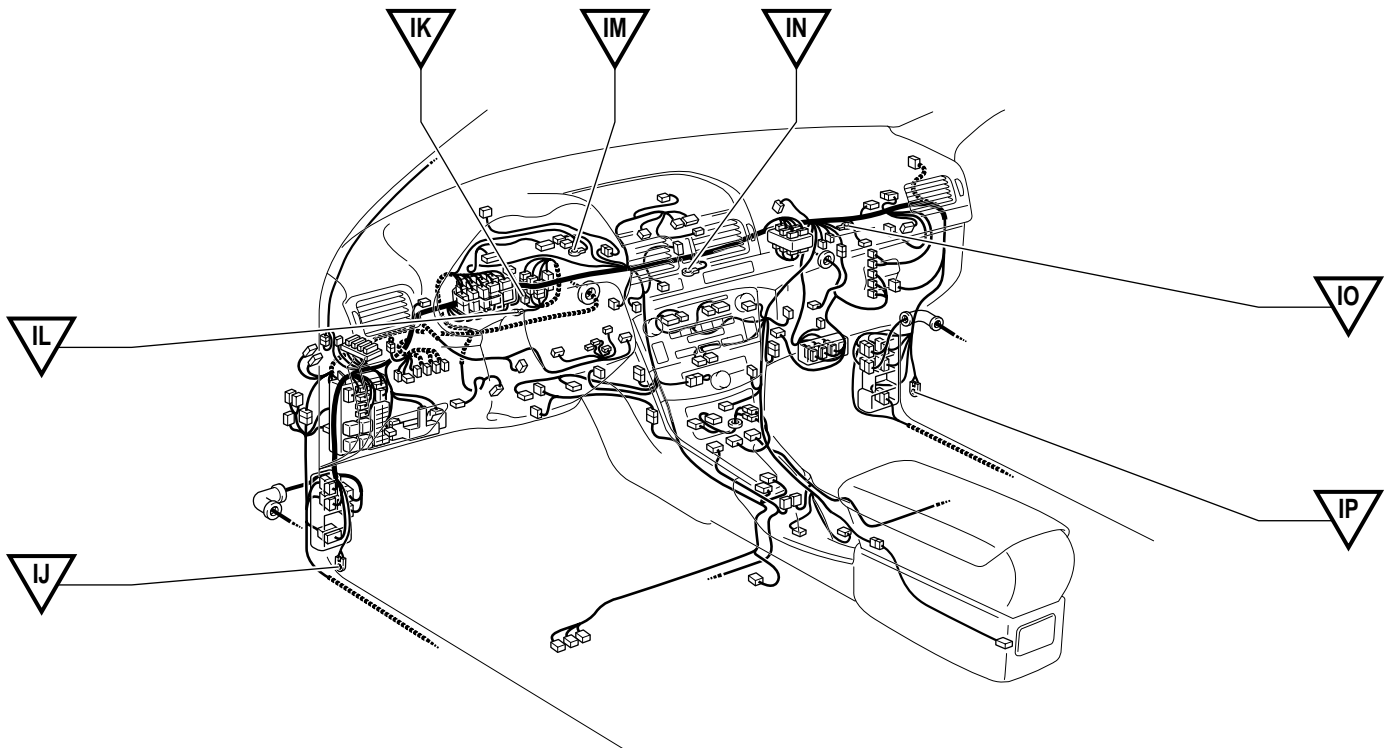
G ELECTRICAL WIRING ROUTING

□ : Location of Connector Joining Wire Harness and Wire Harness

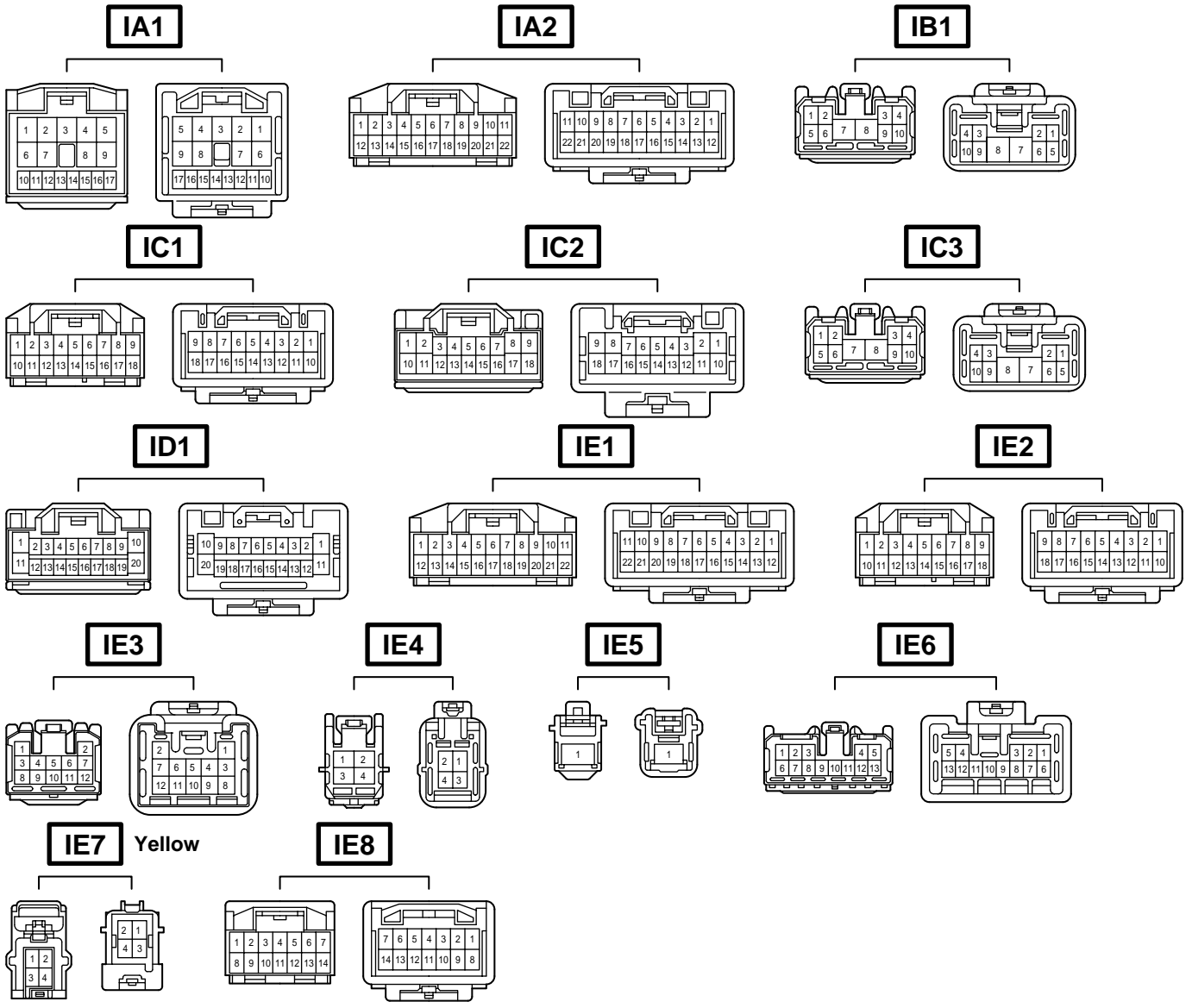
[LHD]



▽ : Location of Ground Points



Connector Joining Wire Harness and Wire Harness



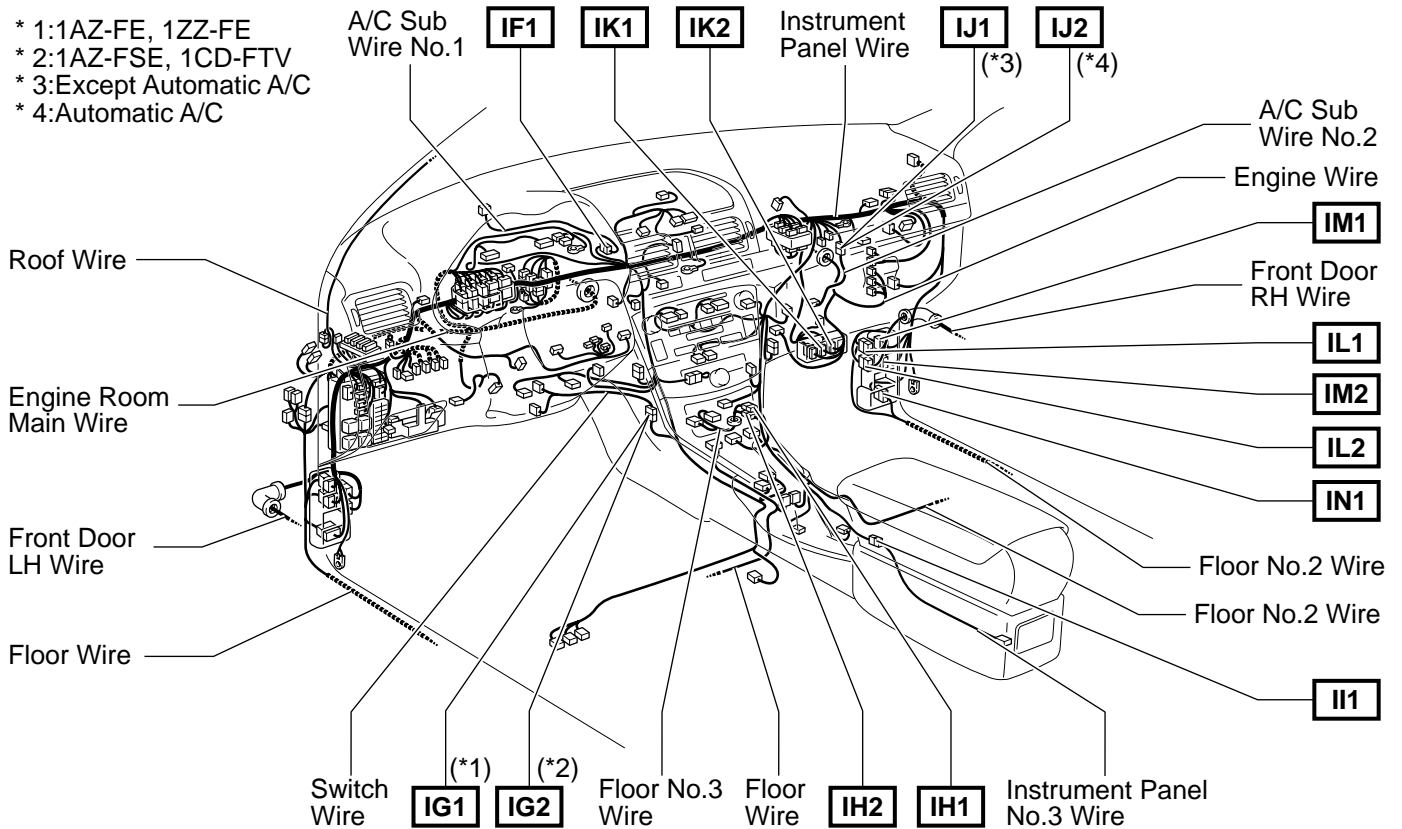
Code	Joining Wire Harness and Wire Harness (Connector Location)
IA1	Front Door LH Wire and Instrument Panel Wire (Left Kick Panel)
IA2	
IB1	Engine Room Main Wire and Floor Wire (Near the Driver Side J/B)
IC1	Instrument Panel Wire and Floor Wire (Left Kick Panel)
IC2	
IC3	
ID1	Instrument Panel Wire and Roof Wire (Left Side of the Instrument Panel)
IE1	Engine Room Main Wire and Instrument Panel Wire (Behind the Combination Meter)
IE2	
IE3	
IE4	
IE5	
IE6	
IE7	
IE8	

G ELECTRICAL WIRING ROUTING

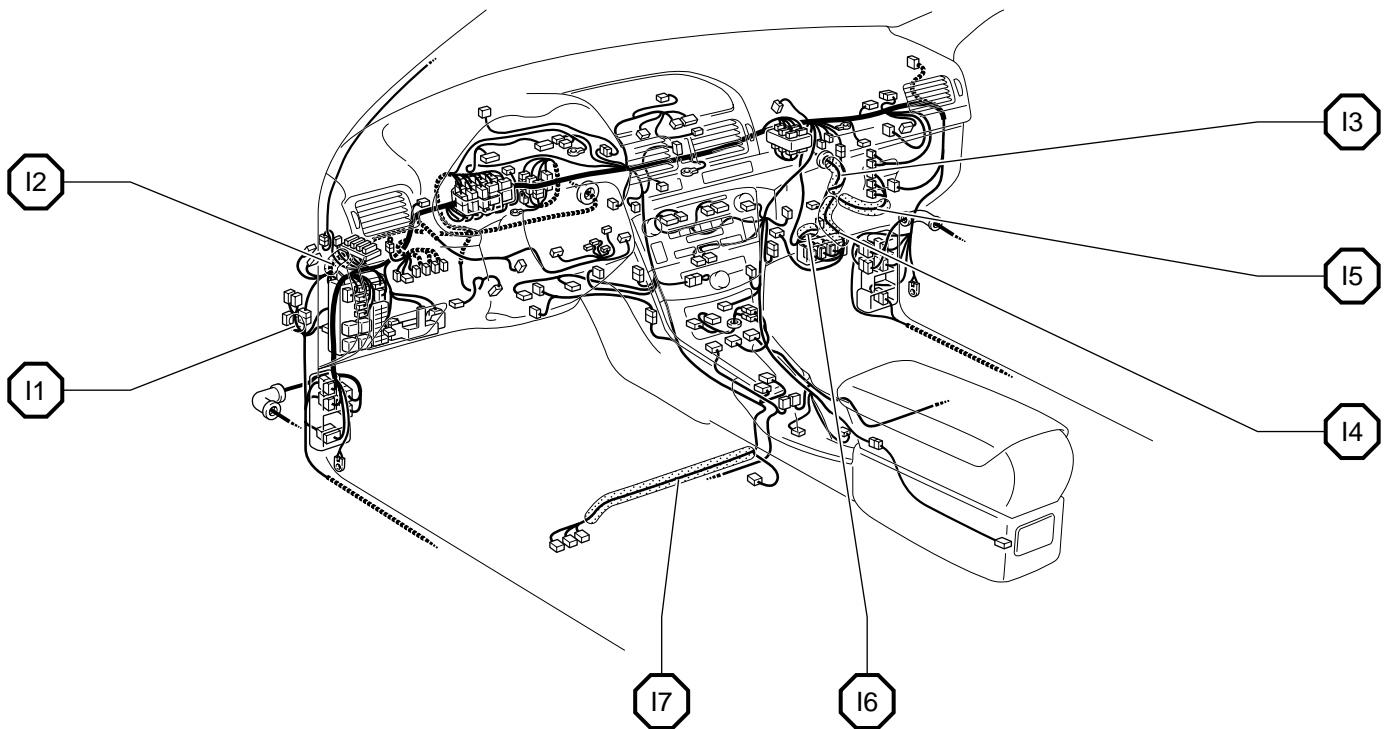
□ : Location of Connector Joining Wire Harness and Wire Harness

[LHD]

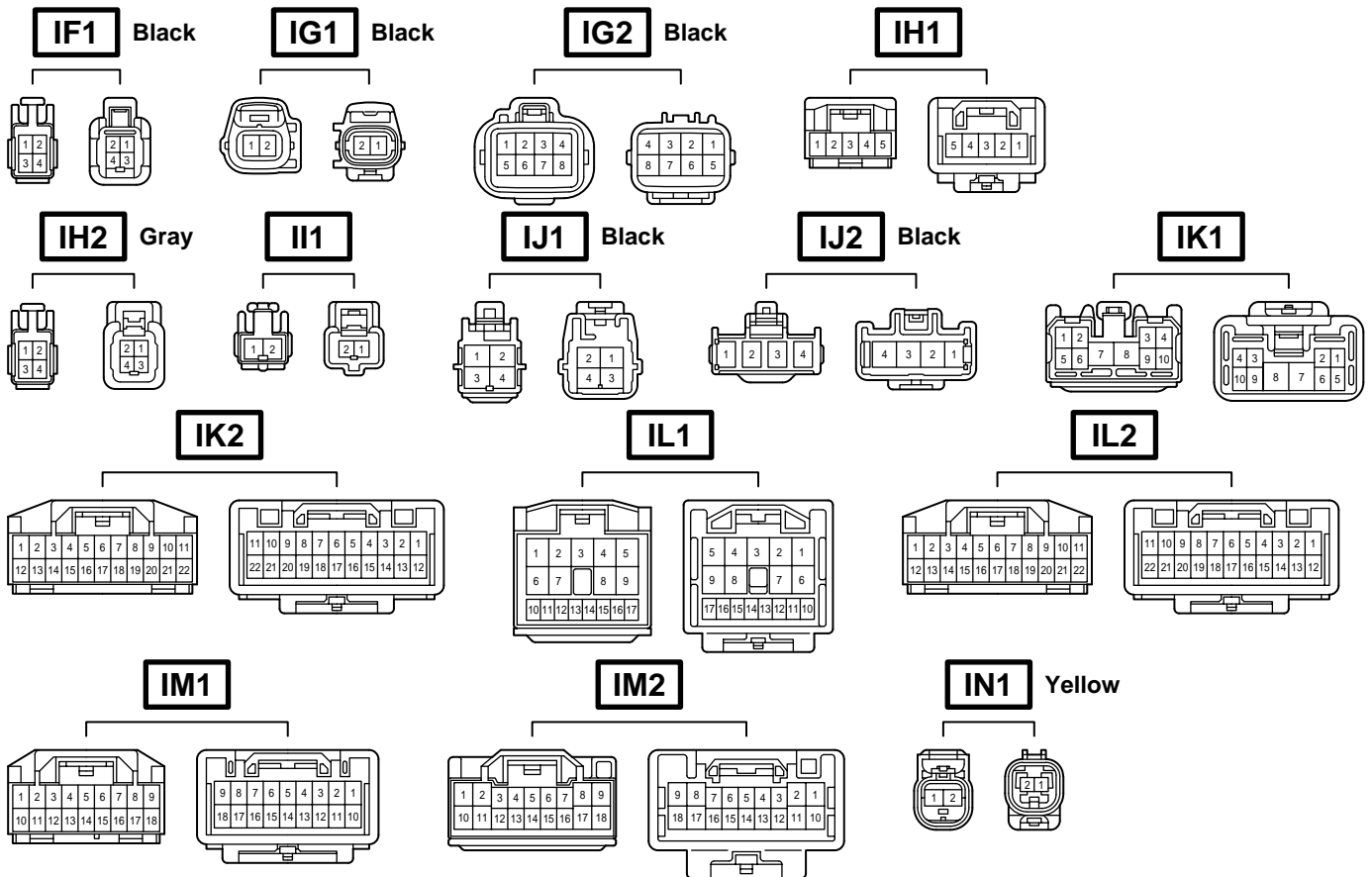
- * 1:1AZ-FE, 1ZZ-FE
- * 2:1AZ-FSE, 1CD-FTV
- * 3:Except Automatic A/C
- * 4:Automatic A/C



○ : Location of Splice Points



Connector Joining Wire Harness and Wire Harness



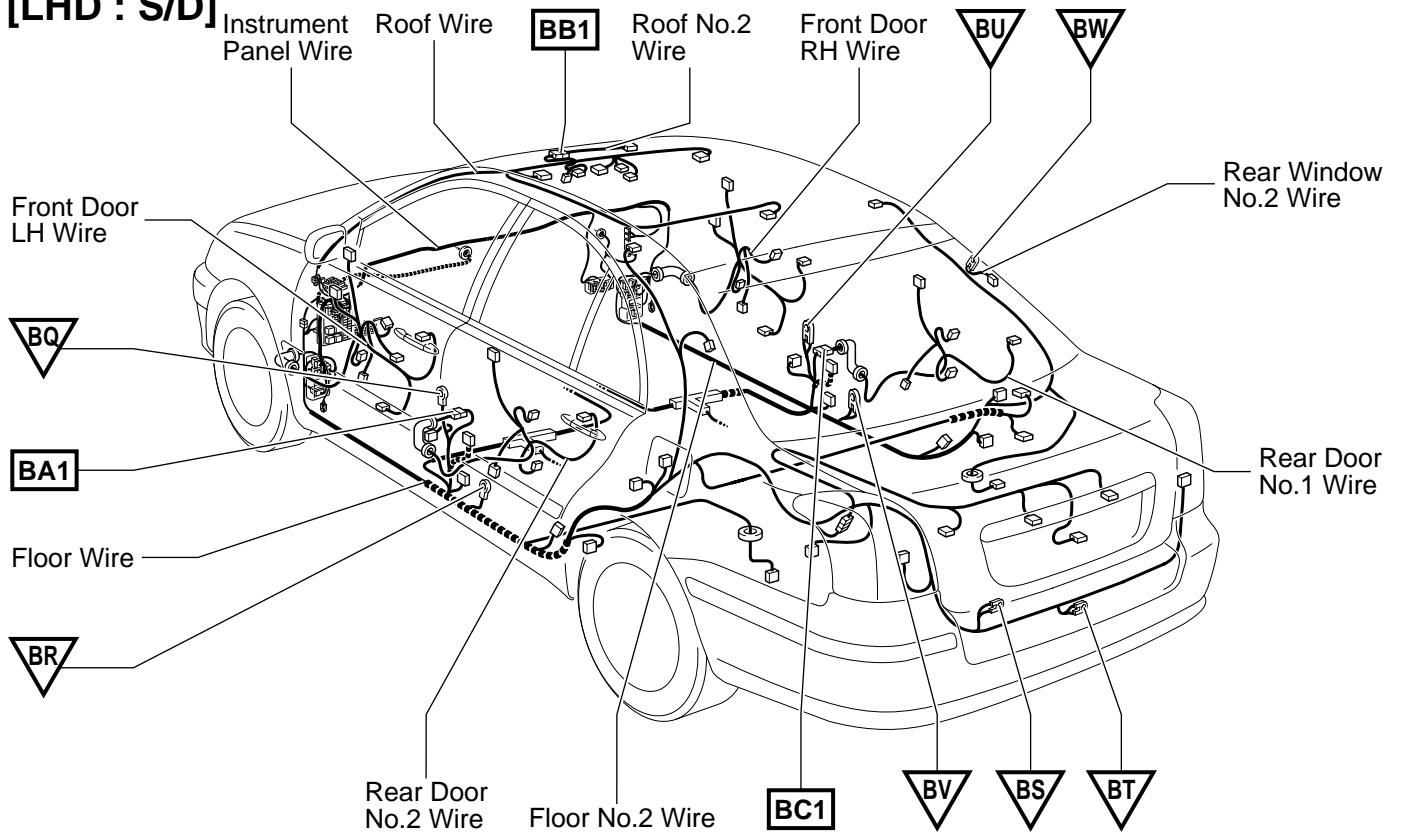
Code	Joining Wire Harness and Wire Harness (Connector Location)
IF1	Instrument Panel Wire and A/C Sub Wire No.1 (Left Side of the Combination Meter)
IG1	Instrument Panel Wire and Switch Wire (Instrument Panel Brace LH)
IG2	
IH1	Floor No.3 Wire and Instrument Panel Wire (Instrument Panel Brace RH)
IH2	
II1	Instrument Panel Wire and Instrument Panel No.3 Wire (Under the Console Box)
IJ1	Instrument Panel Wire and A/C Sub Wire No.2 (Left Side of the A/C Unit)
IJ2	
IK1	Engine Wire and Instrument Panel Wire (Behind the Glove Box)
IK2	
IL1	Front Door RH Wire and Instrument Panel Wire (Right Kick Panel)
IL2	
IM1	Instrument Panel Wire and Floor No.2 Wire (Right Kick Panel)
IM2	
IN1	Floor No.2 Wire and Instrument Panel Wire (Right Kick Panel)

G ELECTRICAL WIRING ROUTING

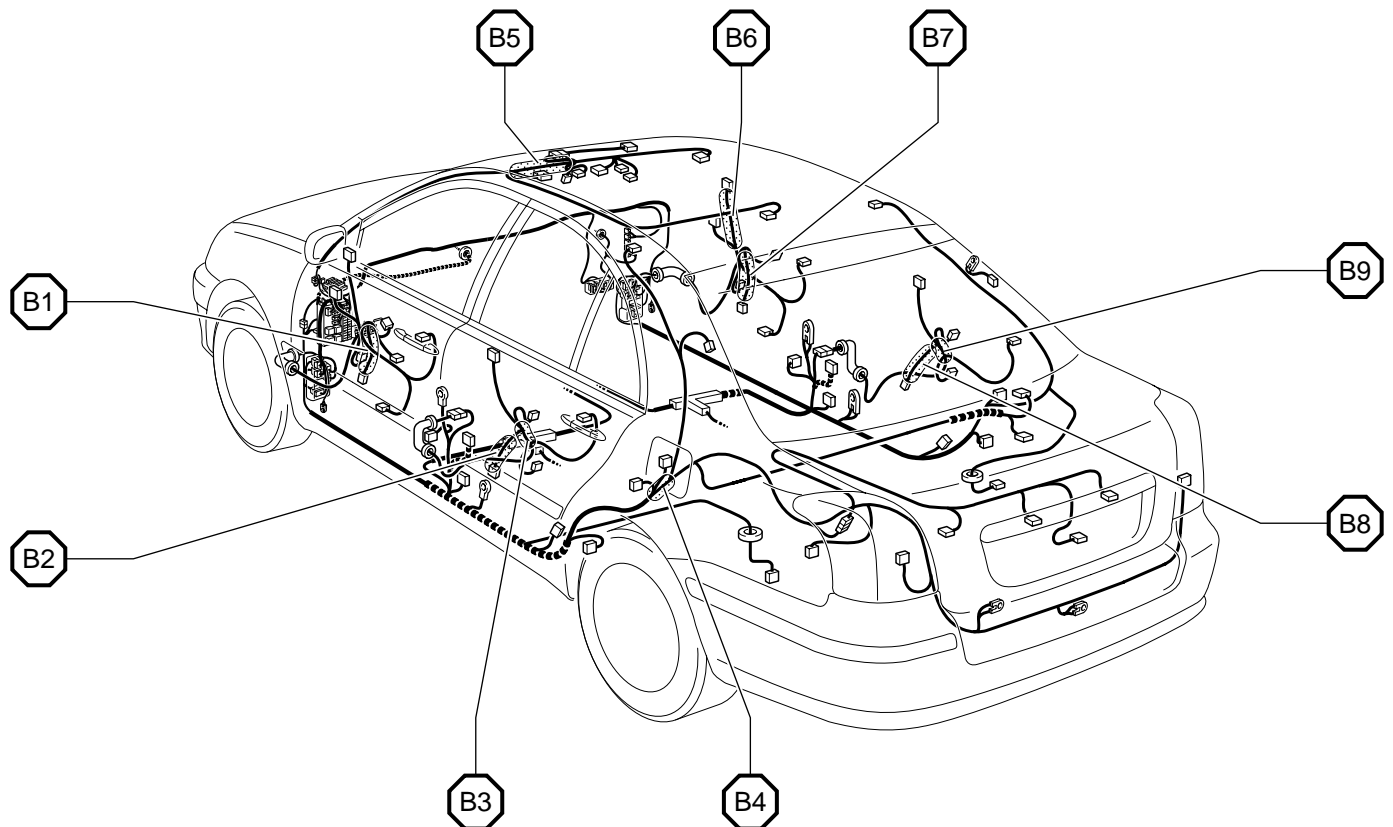
□ : Location of Connector Joining Wire Harness and Wire Harness

▽ : Location of Ground Points

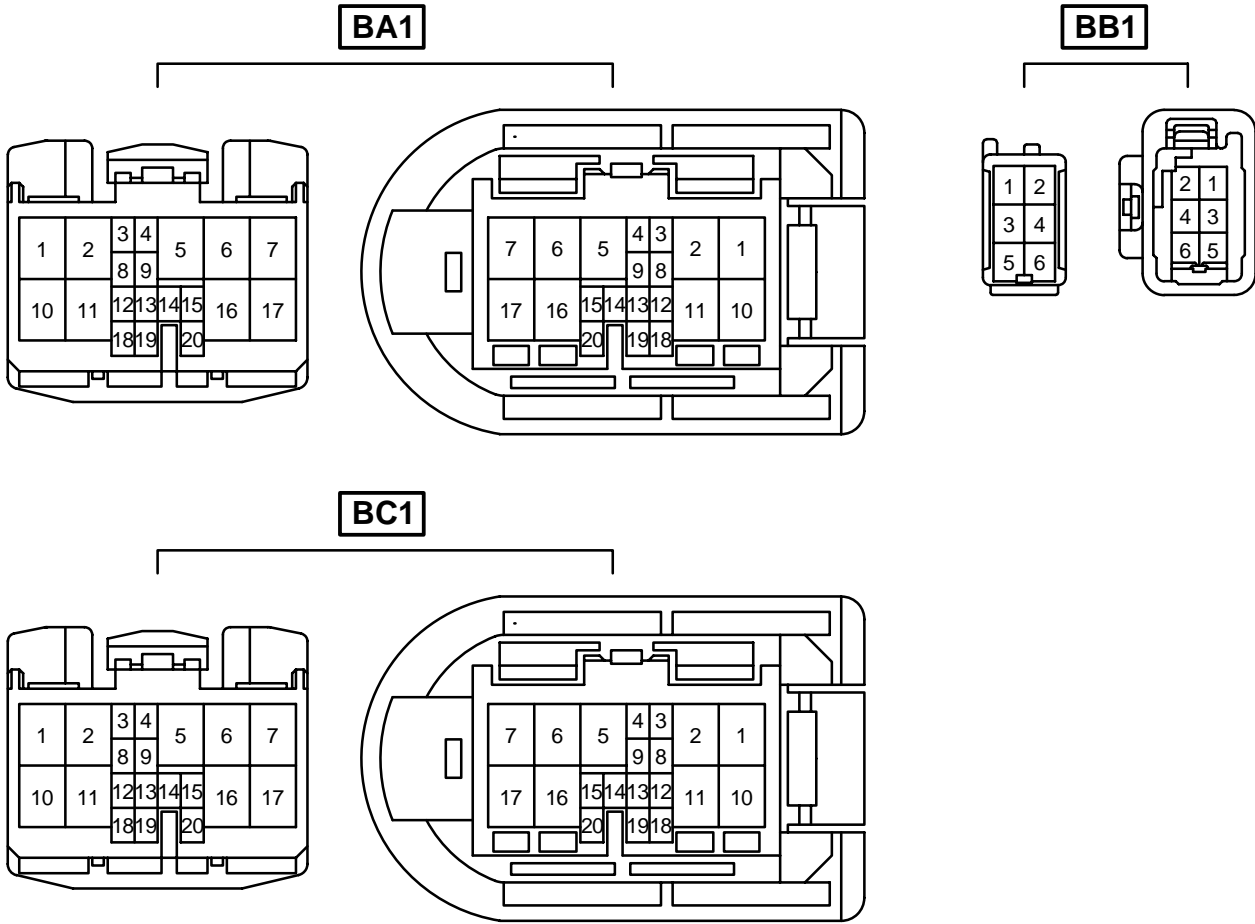
[LHD : S/D]



○ : Location of Splice Points



Connector Joining Wire Harness and Wire Harness



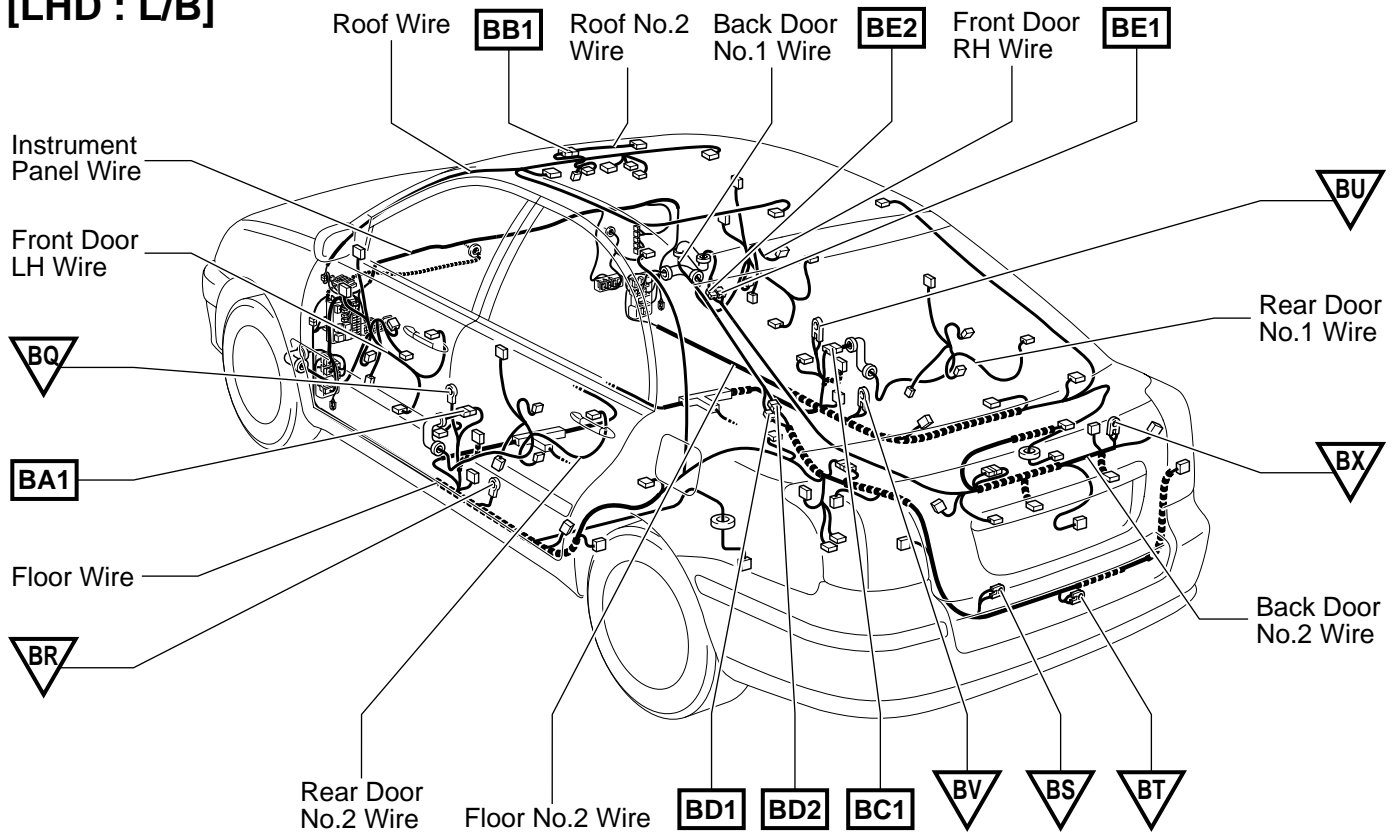
Code	Joining Wire Harness and Wire Harness (Connector Location)
BA1	Rear Door No.2 Wire and Floor Wire (Under the Left Center Pillar)
BB1	Roof Wire and Roof No.2 Wire (Near the Personal Light)
BC1	Rear Door No.1 Wire and Floor No.2 Wire (Under the Right Center Pillar)

G ELECTRICAL WIRING ROUTING

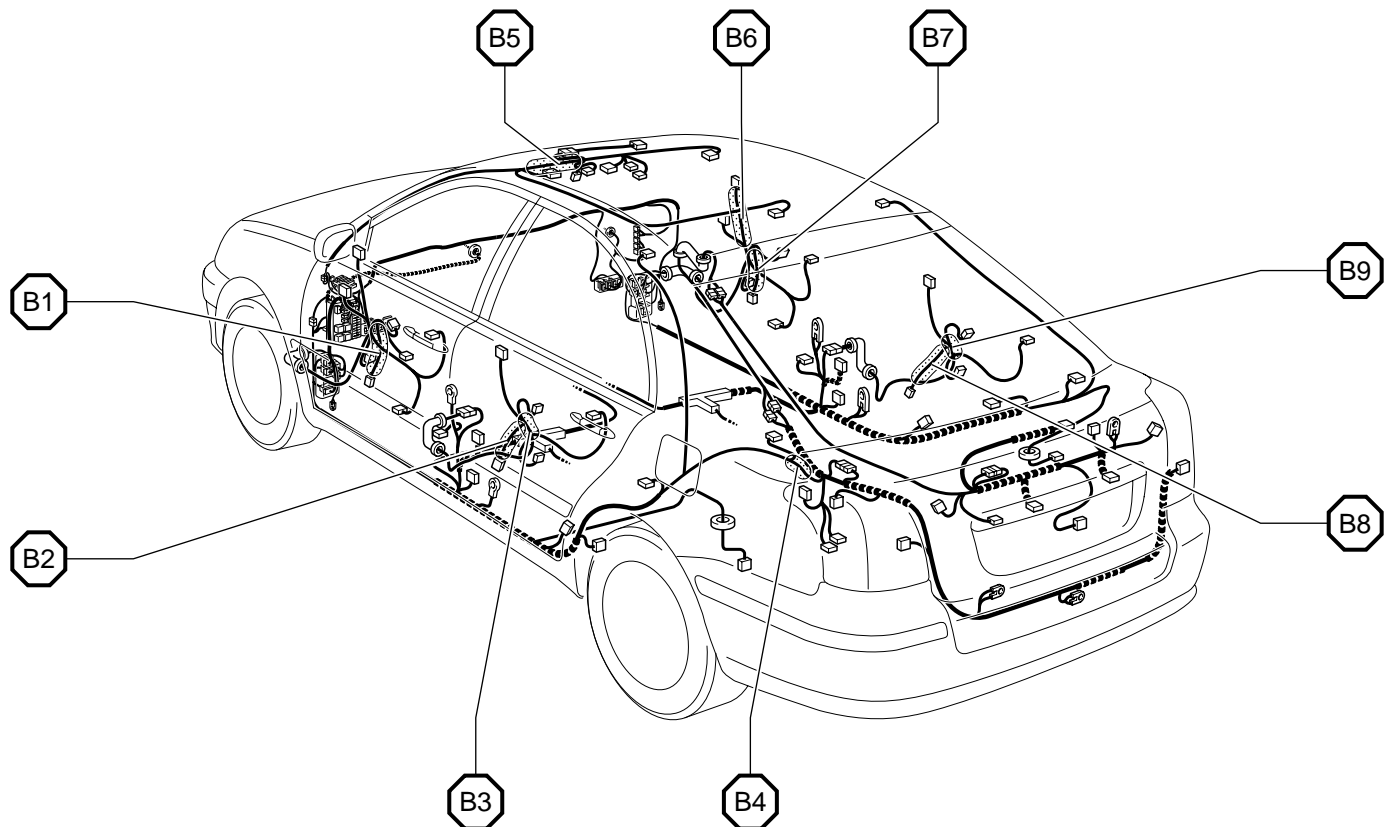
□ : Location of Connector Joining Wire Harness and Wire Harness

▽ : Location of Ground Points

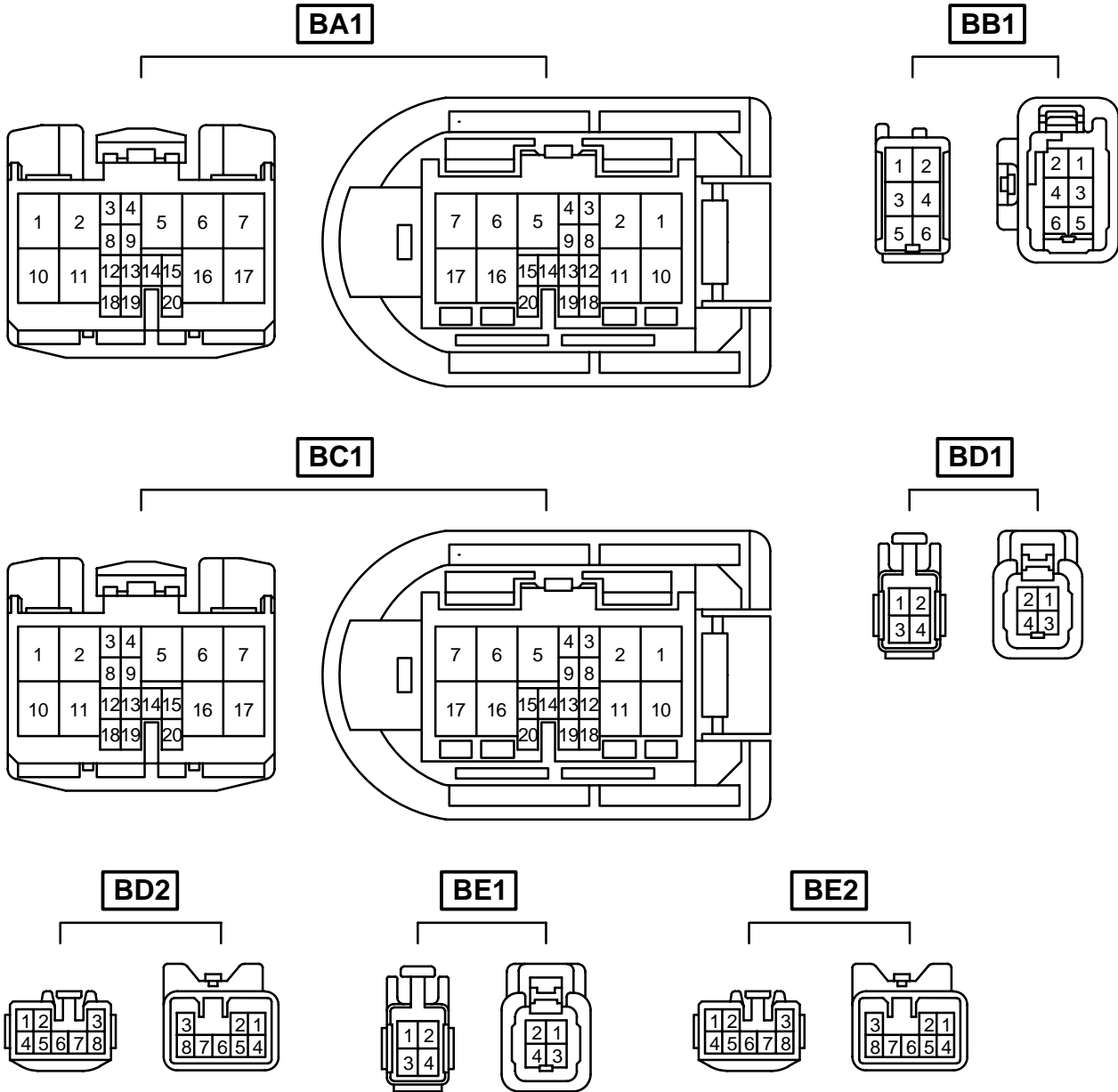
[LHD : L/B]



○ : Location of Splice Points



Connector Joining Wire Harness and Wire Harness



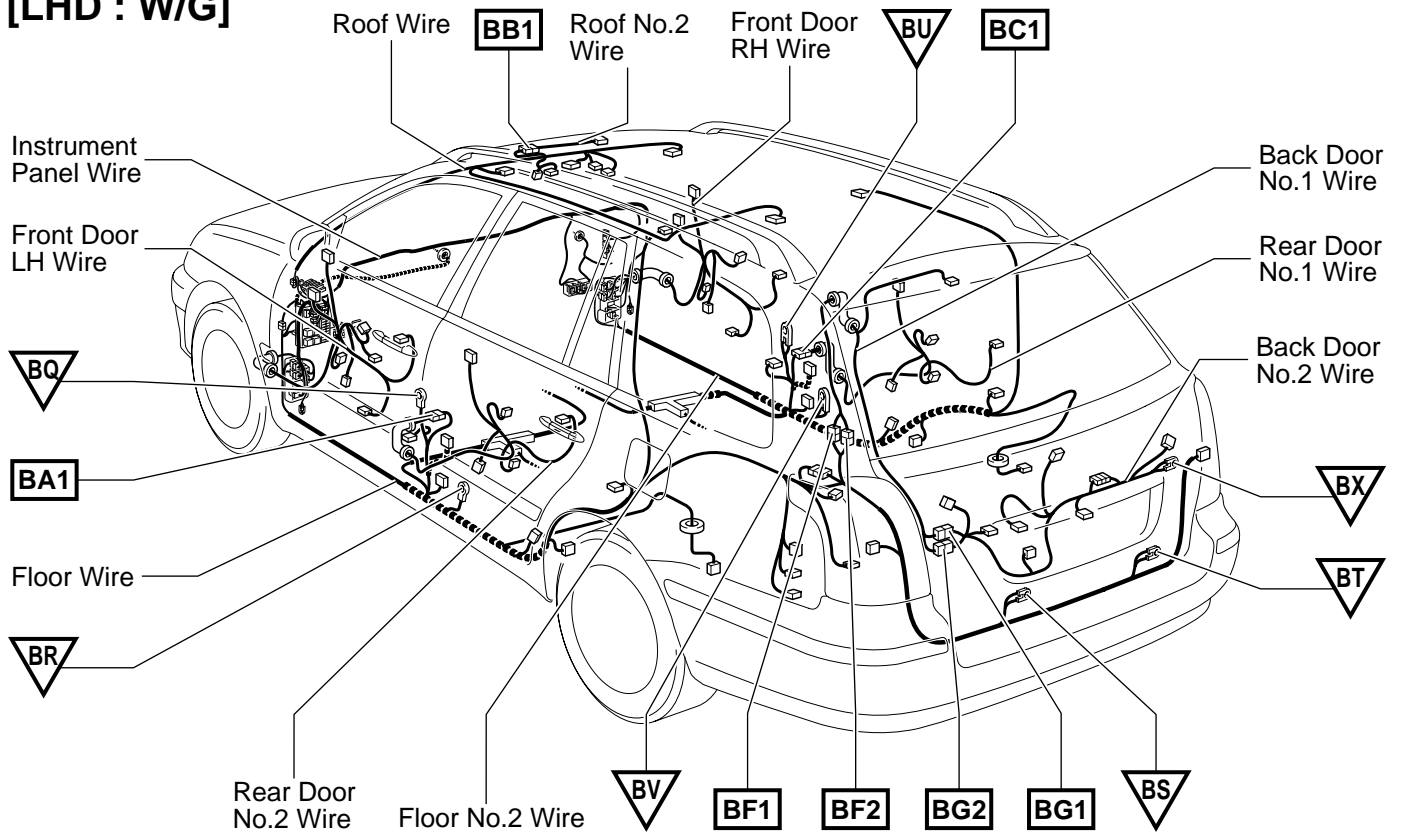
Code	Joining Wire Harness and Wire Harness (Connector Location)
BA1	Rear Door No.2 Wire and Floor Wire (Under the Left Center Pillar)
BB1	Roof Wire and Roof No.2 Wire (Near the Personal Light)
BC1	Rear Door No.1 Wire and Floor No.2 Wire (Under the Right Center Pillar)
BD1	Back Door No.1 Wire and Floor Wire (Under the Left Quarter Pillar)
BD2	
BE1	Back Door No.2 Wire and Back Door No.1 Wire (Back Door Upper Left)
BE2	

G ELECTRICAL WIRING ROUTING

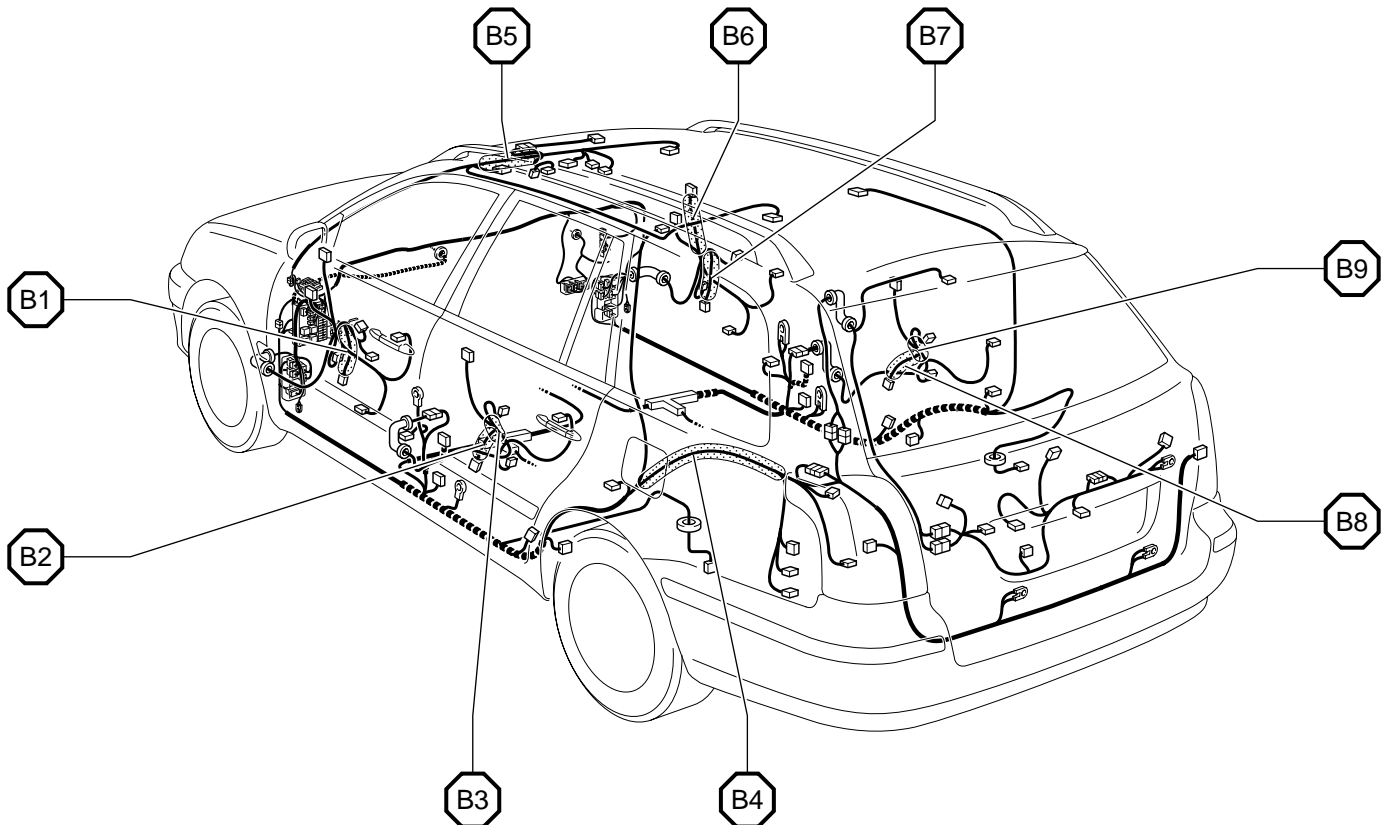
□ : Location of Connector Joining Wire Harness and Wire Harness

▽ : Location of Ground Points

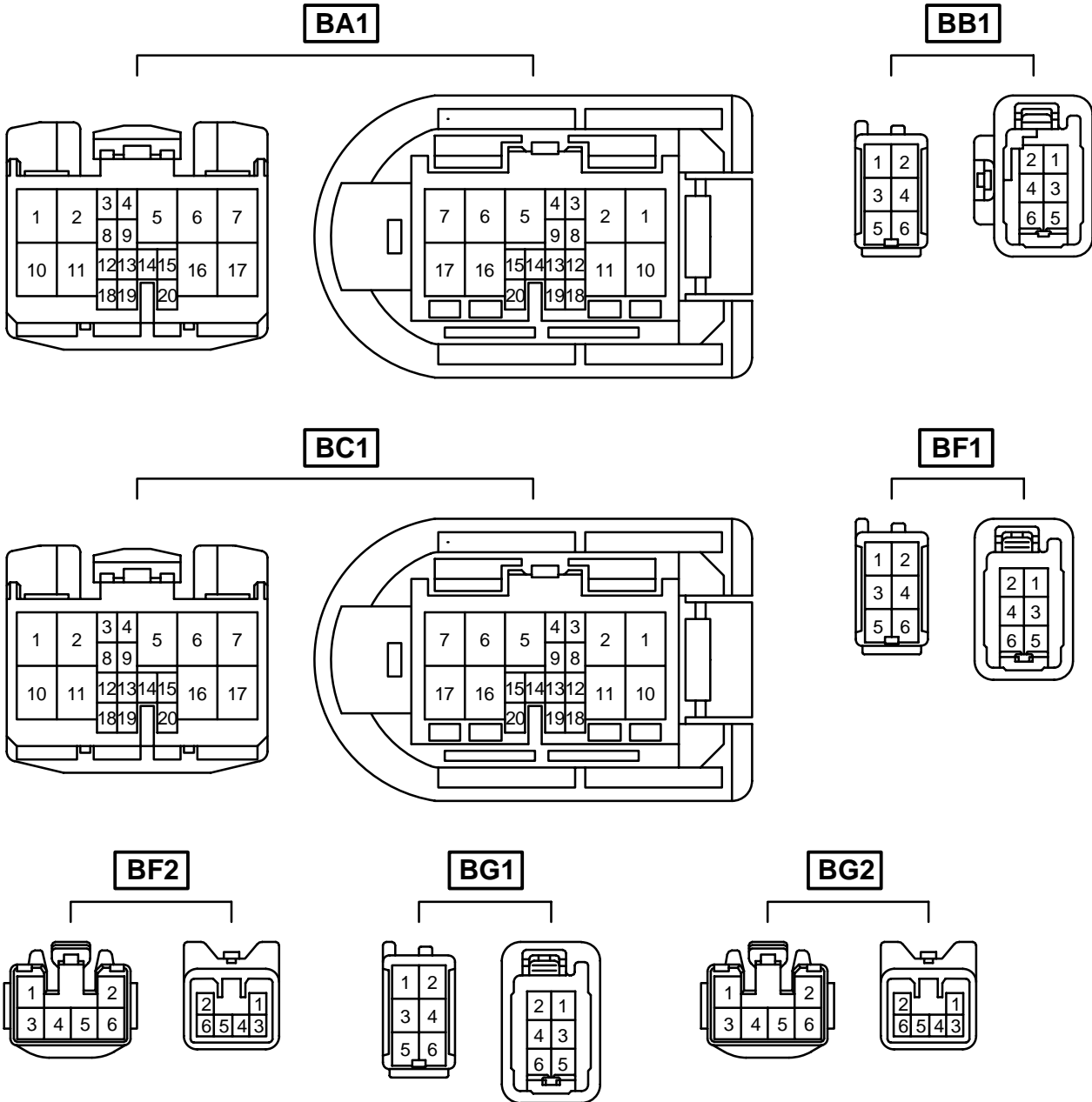
[LHD : W/G]



○ : Location of Splice Points



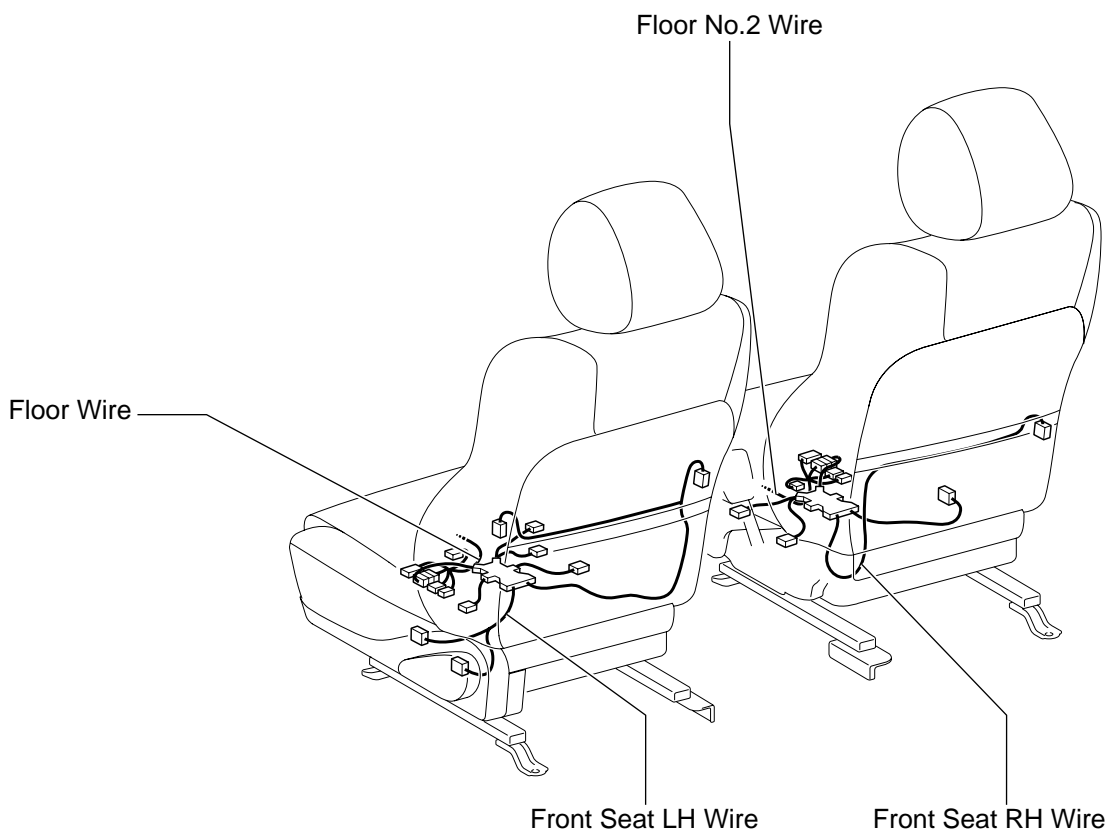
Connector Joining Wire Harness and Wire Harness



Code	Joining Wire Harness and Wire Harness (Connector Location)
BA1	Rear Door No.2 Wire and Floor Wire (Under the Left Center Pillar)
BB1	Roof Wire and Roof No.2 Wire (Near the Personal Light)
BC1	Rear Door No.1 Wire and Floor No.2 Wire (Under the Right Center Pillar)
BF1	Back Door No.1 Wire and Floor Wire (Under the Left Quarter Pillar)
BF2	Back Door No.1 Wire and Floor Wire (Under the Left Quarter Pillar)
BG1	Back Door No.1 Wire and Back Door No.2 Wire (Back Door Left)
BG2	Back Door No.1 Wire and Back Door No.2 Wire (Back Door Left)

G ELECTRICAL WIRING ROUTING

[LHD]

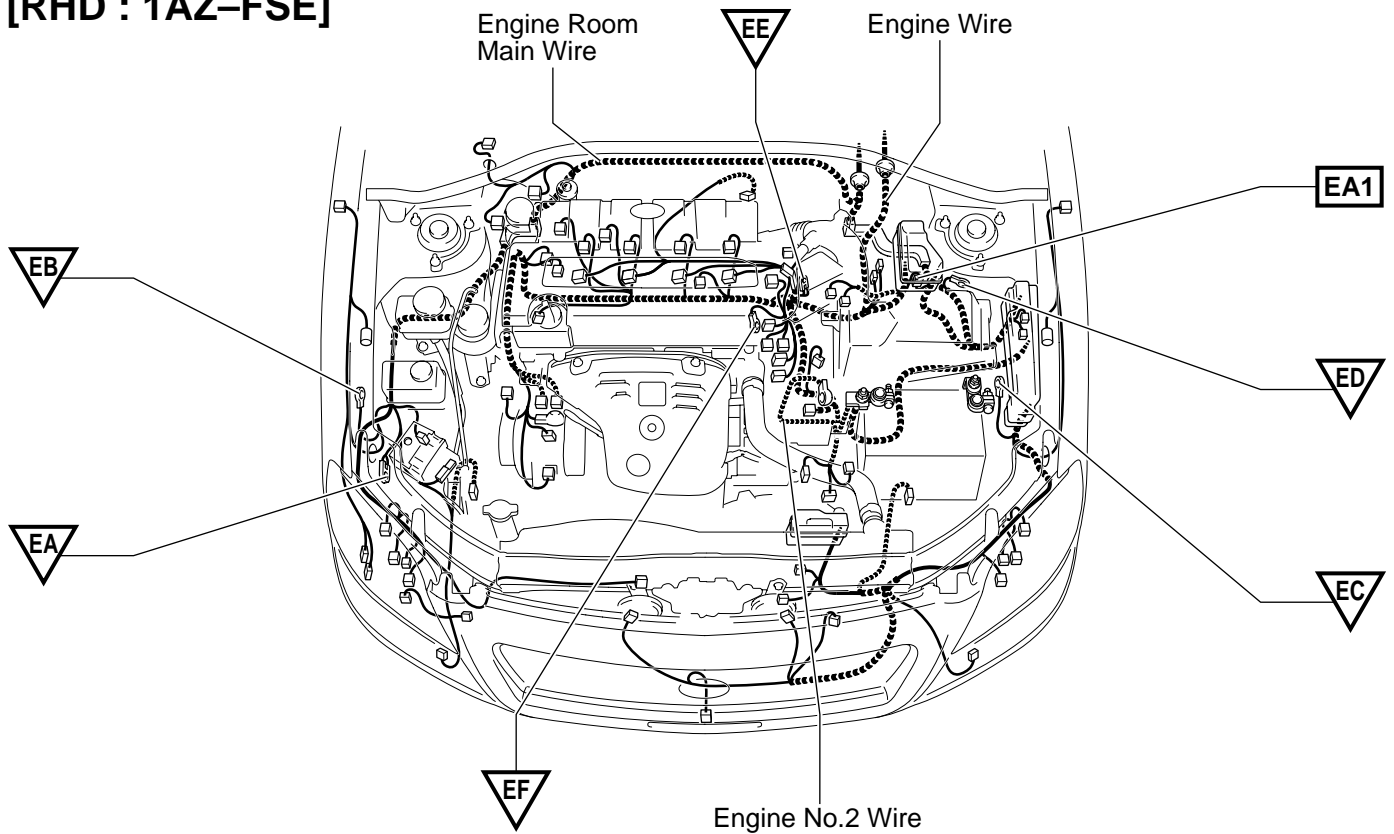


G ELECTRICAL WIRING ROUTING

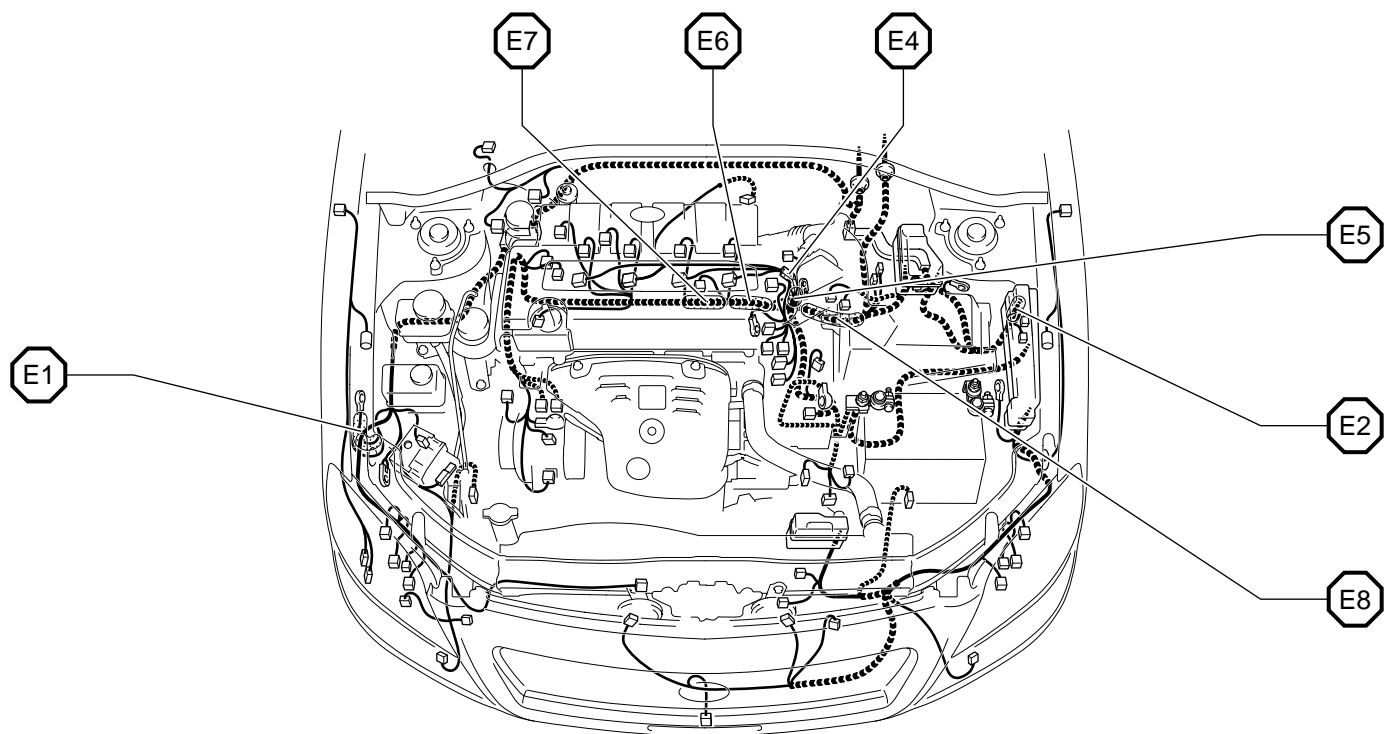
□ : Location of Connector Joining Wire Harness and Wire Harness

▽ : Location of Ground Points

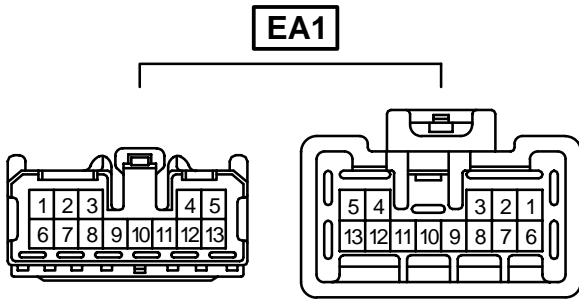
[RHD : 1AZ-FSE]



○ : Location of Splice Points



Connector Joining Wire Harness and Wire Harness



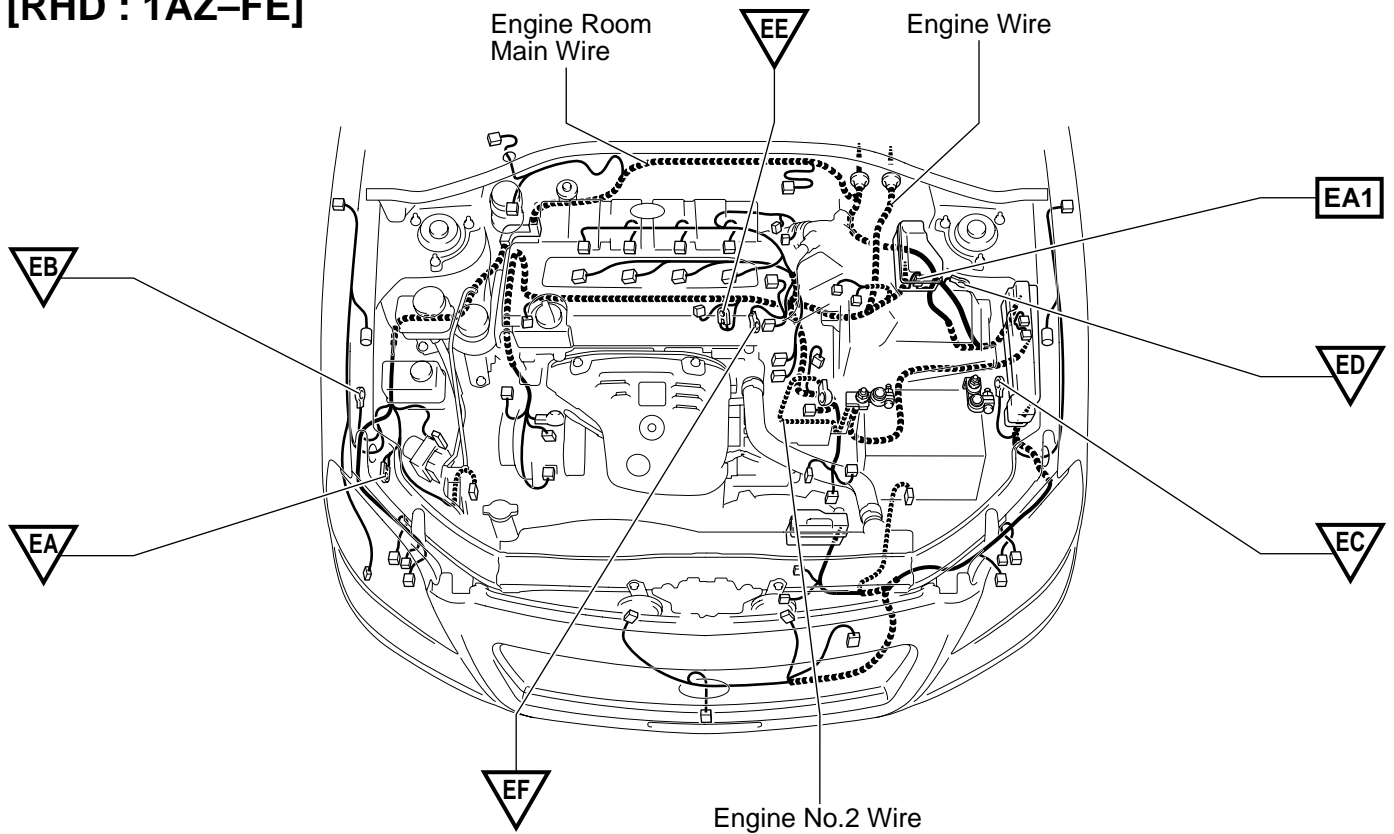
Code	Joining Wire Harness and Wire Harness (Connector Location)
EA1	Engine Wire and Engine Room Main Wire (Left Side of the Suspension Tower)

G ELECTRICAL WIRING ROUTING

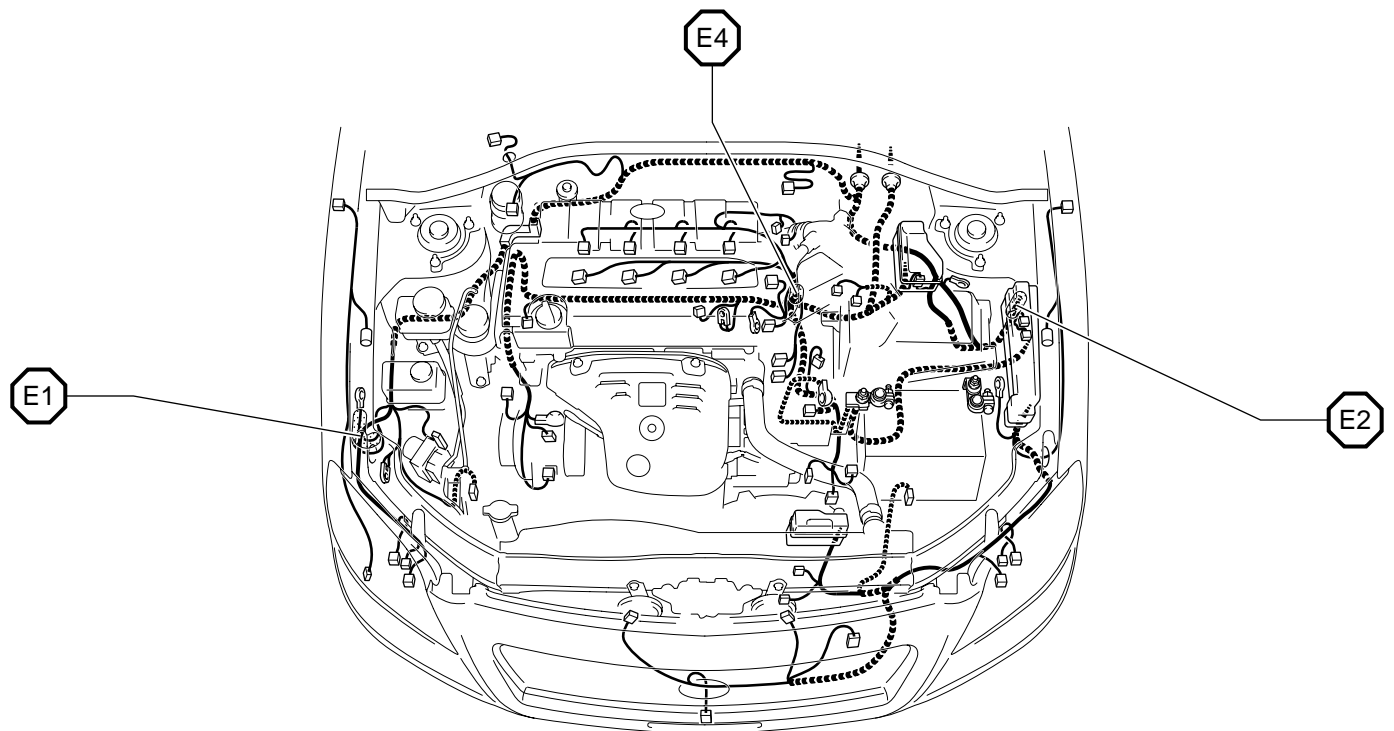
□ : Location of Connector Joining Wire Harness and Wire Harness

▽ : Location of Ground Points

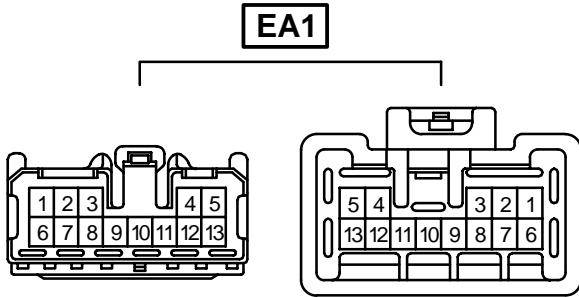
[RHD : 1AZ-FE]



○ : Location of Splice Points



Connector Joining Wire Harness and Wire Harness



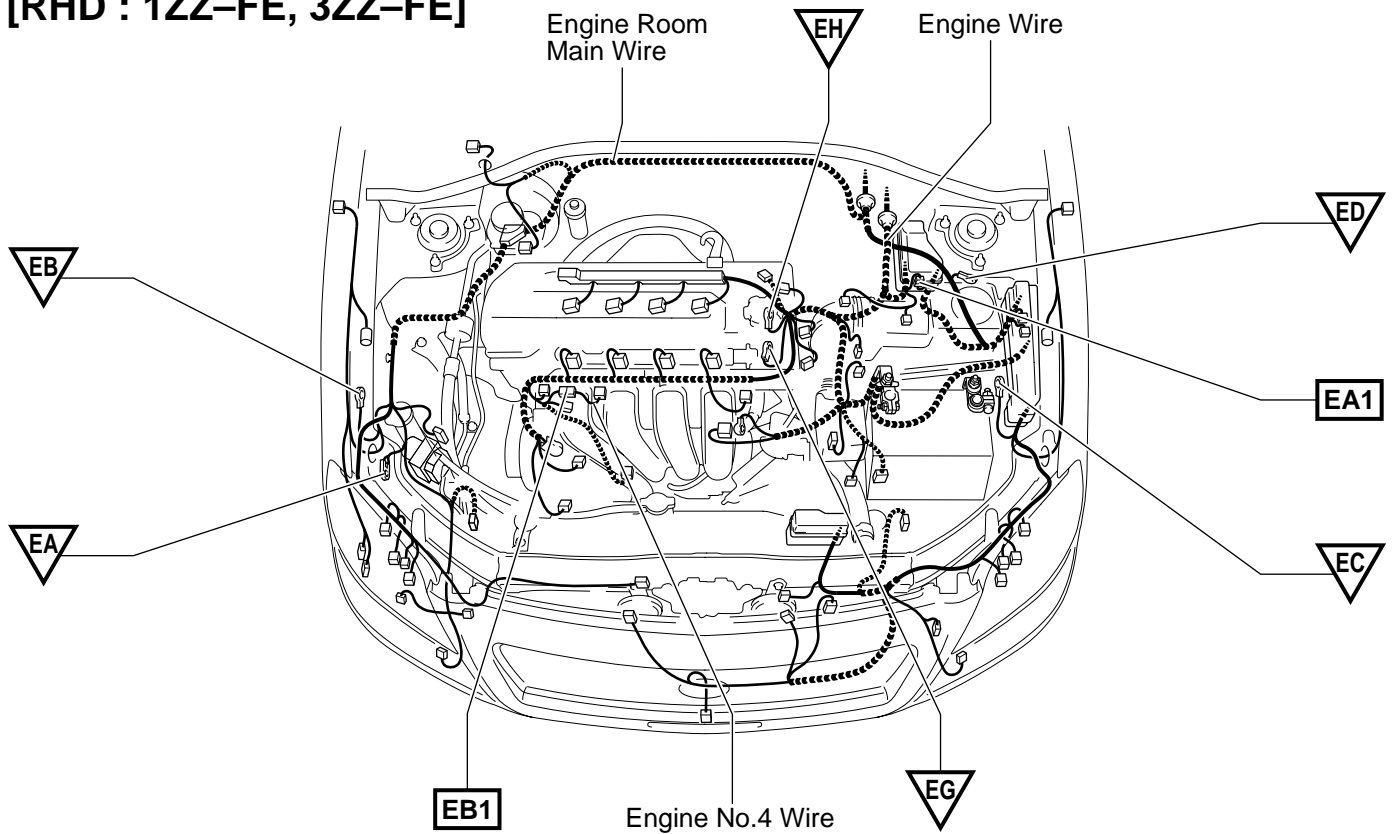
Code	Joining Wire Harness and Wire Harness (Connector Location)
EA1	Engine Wire and Engine Room Main Wire (Left Side of the Suspension Tower)

G ELECTRICAL WIRING ROUTING

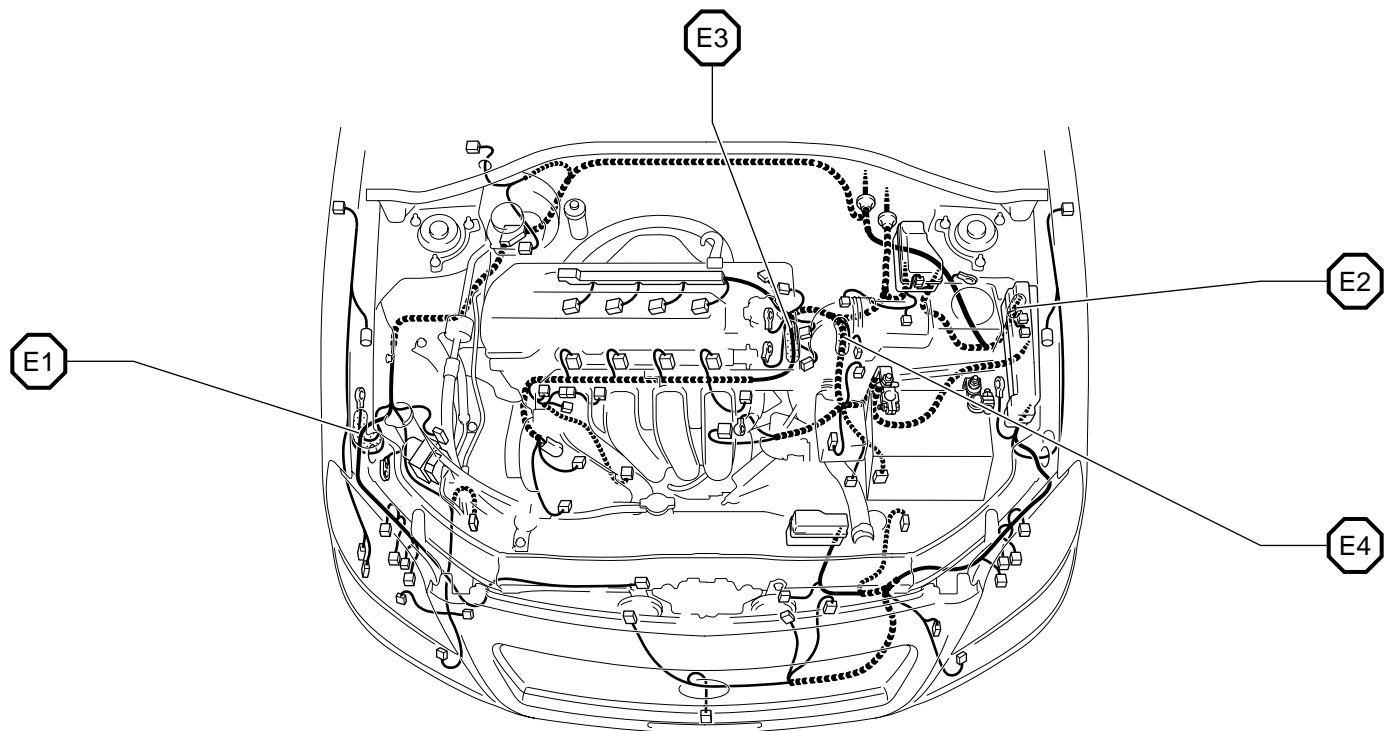
□ : Location of Connector Joining Wire Harness and Wire Harness

▽ : Location of Ground Points

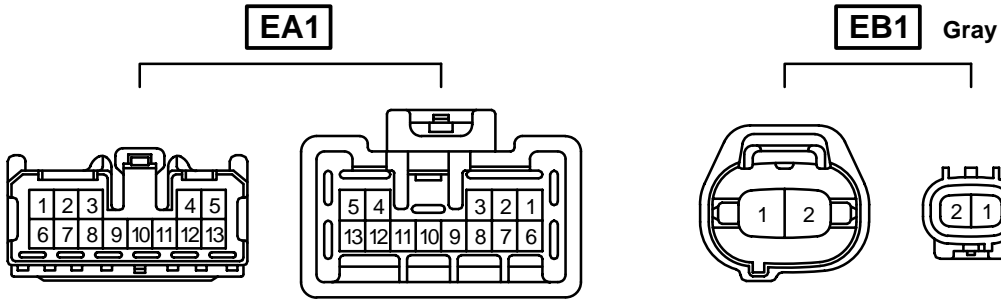
[RHD : 1ZZ-FE, 3ZZ-FE]



○ : Location of Splice Points



Connector Joining Wire Harness and Wire Harness



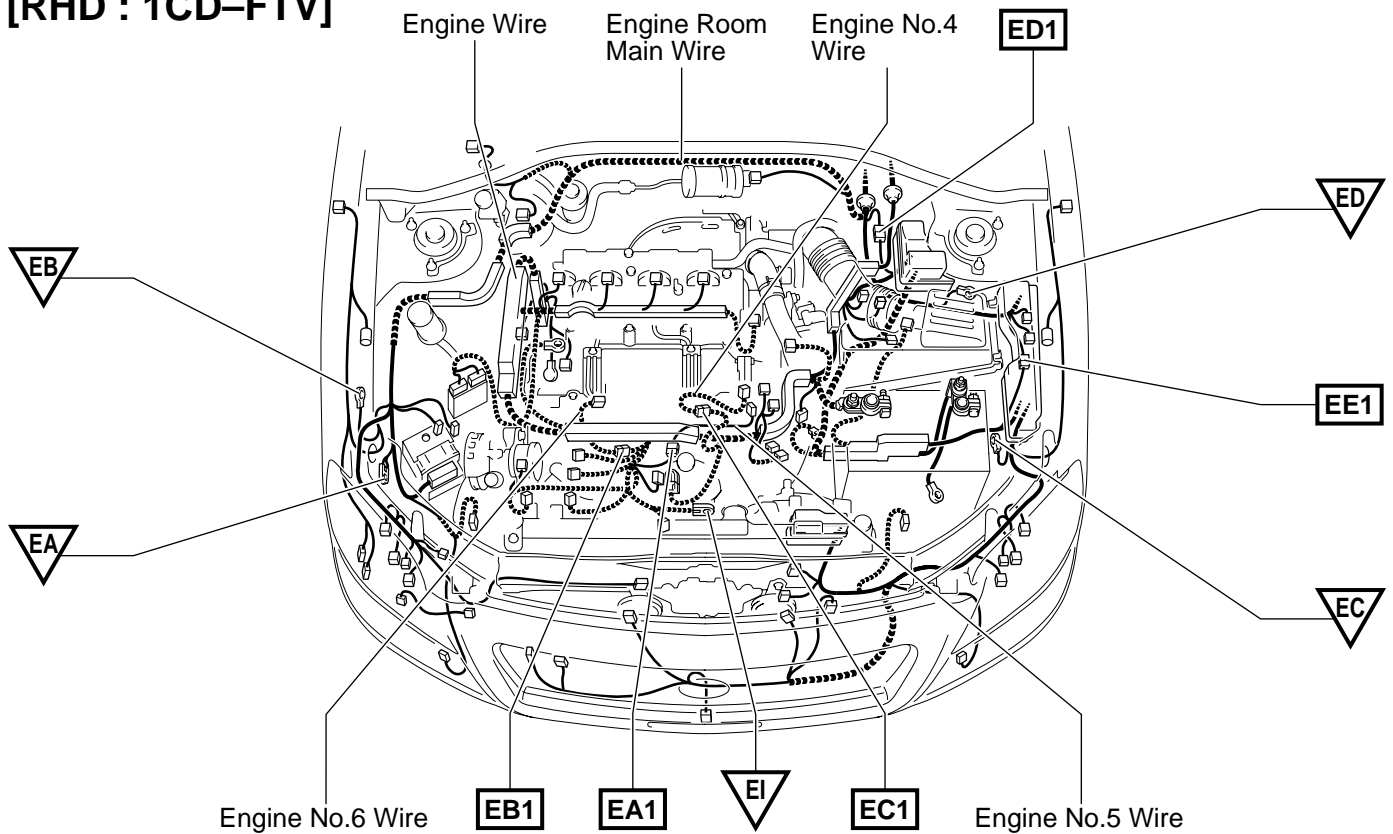
Code	Joining Wire Harness and Wire Harness (Connector Location)
EA1	Engine Wire and Engine Room Main Wire (Left Side of the Suspension Tower)
EB1	Engine Wire and Engine No.4 Wire (Near the Alternator)

G ELECTRICAL WIRING ROUTING

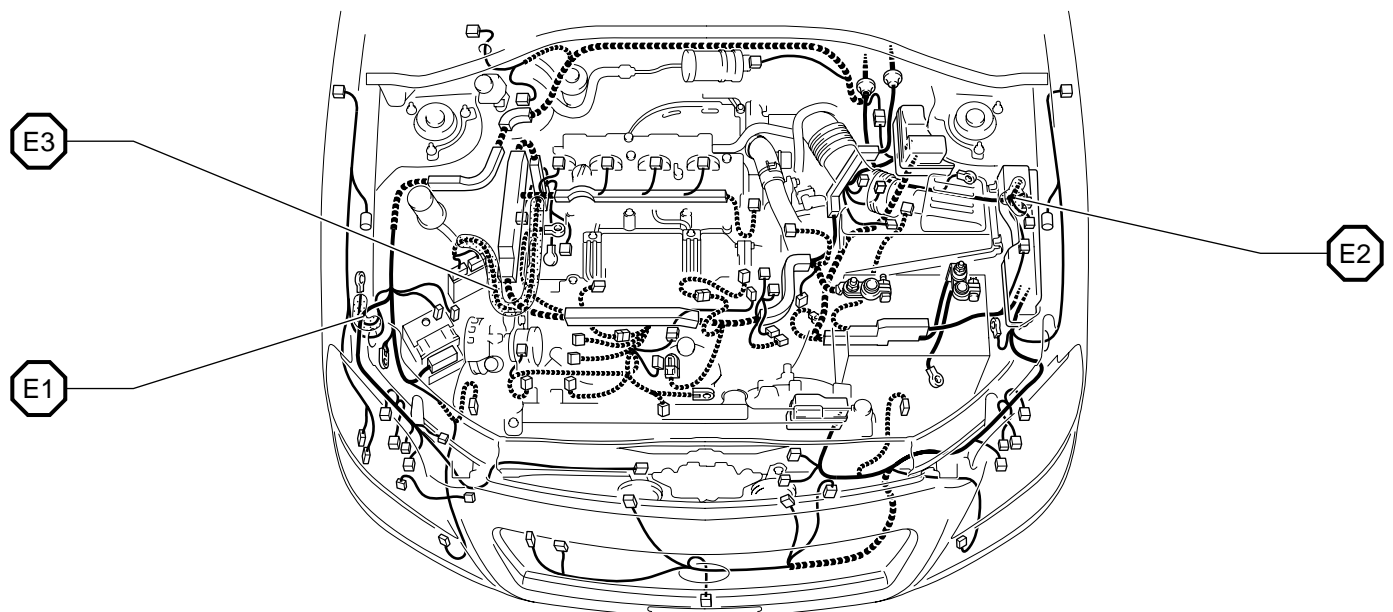
□ : Location of Connector Joining Wire Harness and Wire Harness

▽ : Location of Ground Points

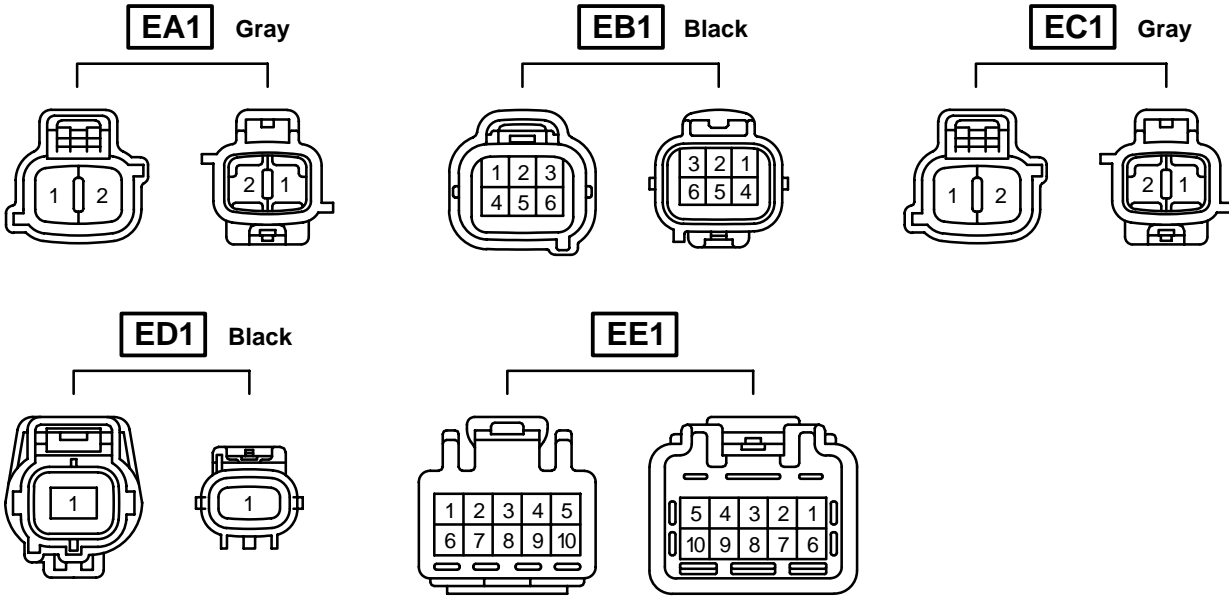
[RHD : 1CD-FTV]



○ : Location of Splice Points



Connector Joining Wire Harness and Wire Harness

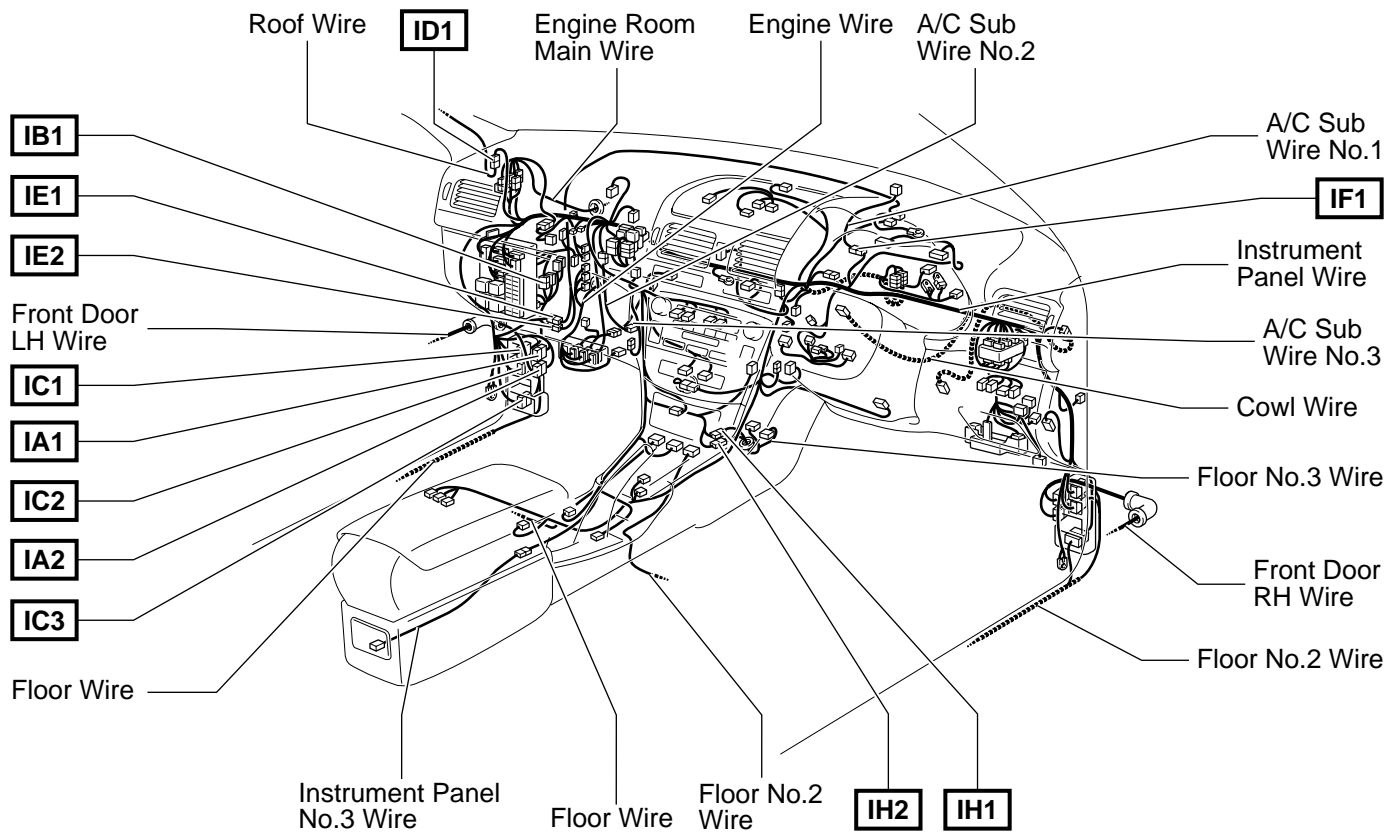


Code	Joining Wire Harness and Wire Harness (Connector Location)
EA1	Engine Wire and Engine No.5 Wire (Near the Starter)
EB1	Engine Wire and Engine No.6 Wire (Near the Starter)
EC1	Engine Wire and Engine No.4 Wire (Near the Starter)
ED1	Engine Wire and Engine Room Main Wire (Left Side of the Suspension Tower)
EE1	Engine Wire and Engine Room Main Wire (Engine Compartment Left)

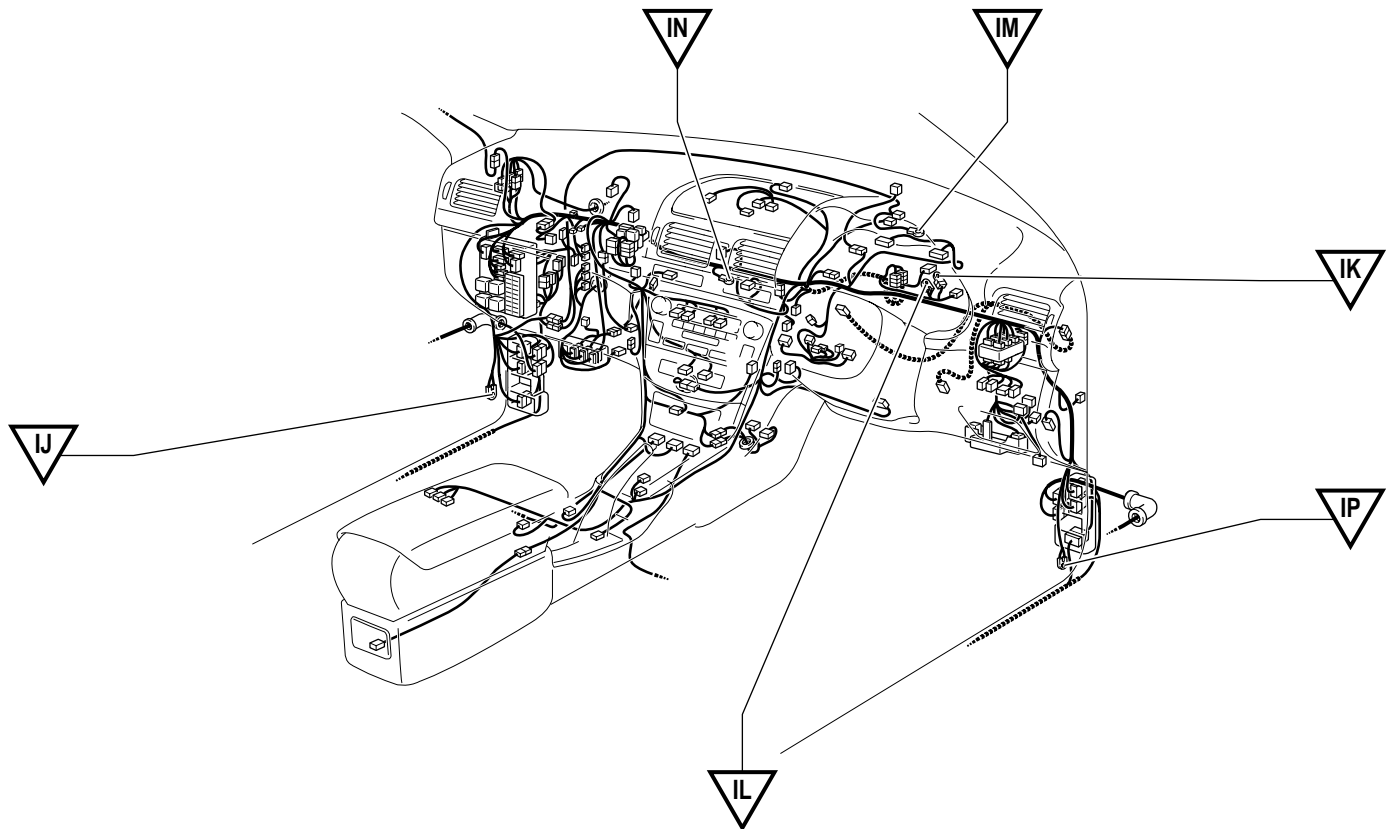
G ELECTRICAL WIRING ROUTING

□ : Location of Connector Joining Wire Harness and Wire Harness

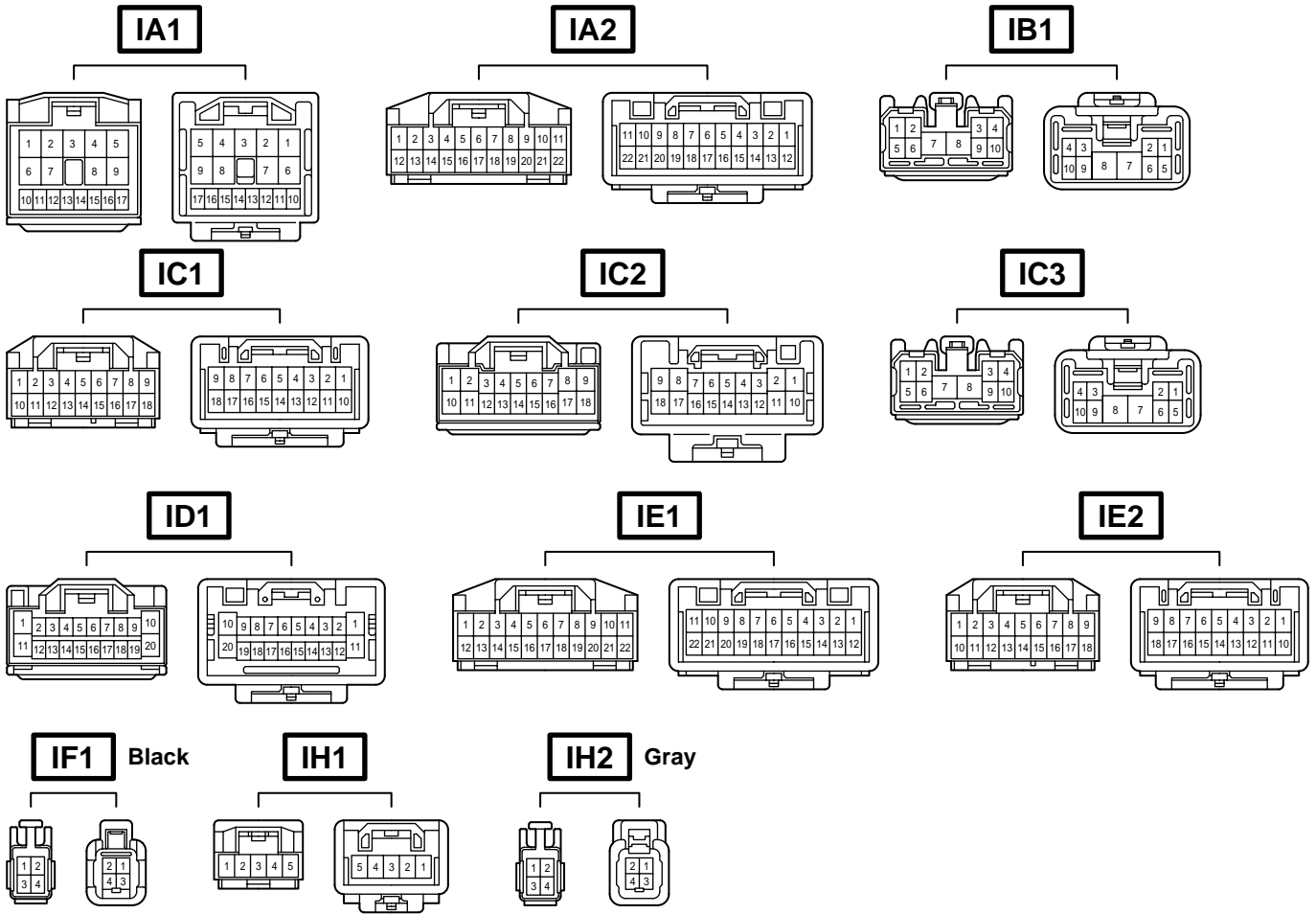
[RHD]



▽ : Location of Ground Points



Connector Joining Wire Harness and Wire Harness



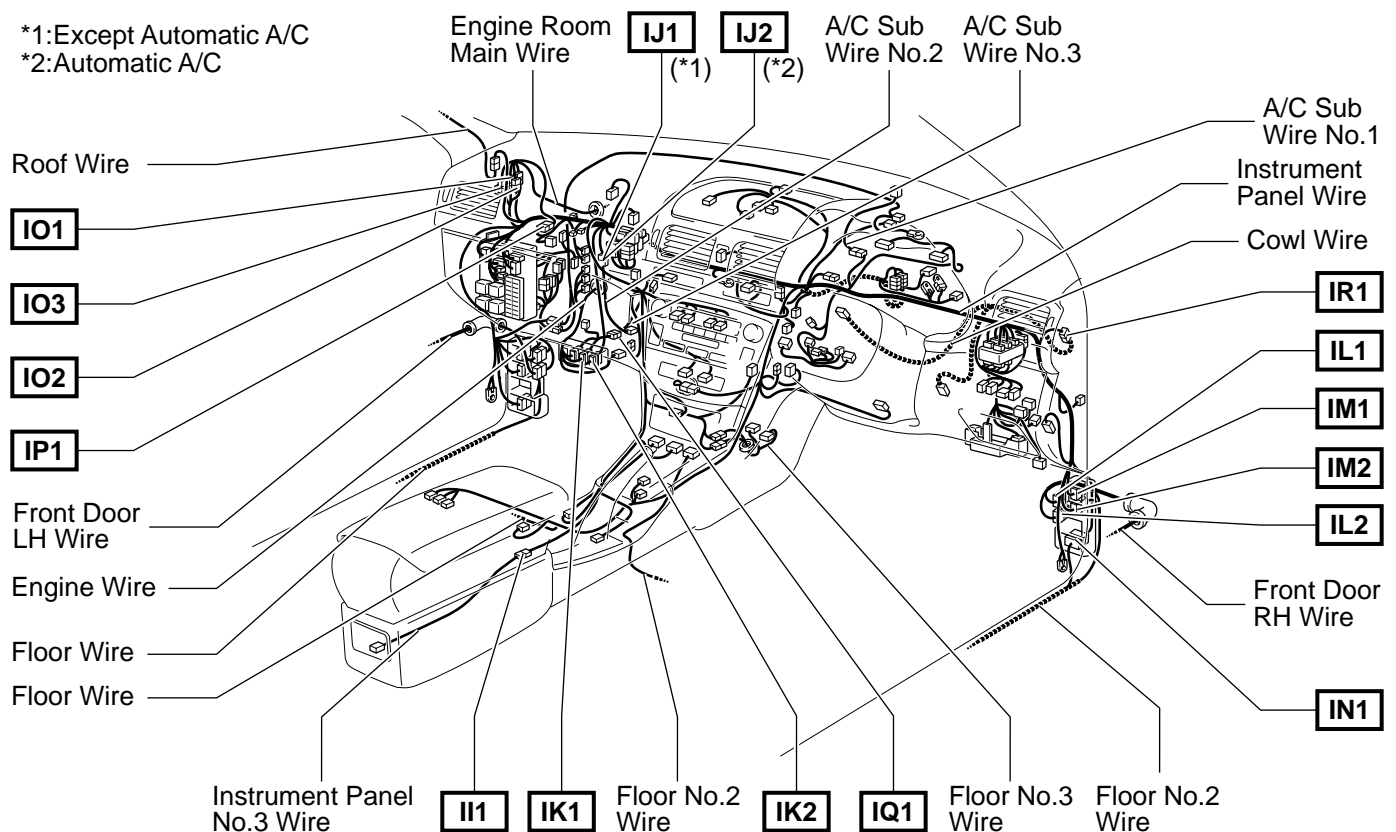
Code	Joining Wire Harness and Wire Harness (Connector Location)
IA1	Front Door LH Wire and Instrument Panel Wire (Left Kick Panel)
IA2	Front Door LH Wire and Instrument Panel Wire (Left Kick Panel)
IB1	Engine Room Main Wire and Floor Wire (Near the Driver Side J/B)
IC1	
IC2	Instrument Panel Wire and Floor Wire (Left Kick Panel)
IC3	
ID1	Instrument Panel Wire and Roof Wire (Left Side of the Instrument Panel)
IE1	Engine Room Main Wire and Instrument Panel Wire (Behind the Glove Box)
IE2	
IF1	Instrument Panel Wire and A/C Sub Wire No.1 (Right Side of the Combination Meter)
IH1	Floor No.3 Wire and Instrument Panel Wire (Instrument Panel Brace RH)
IH2	

G ELECTRICAL WIRING ROUTING

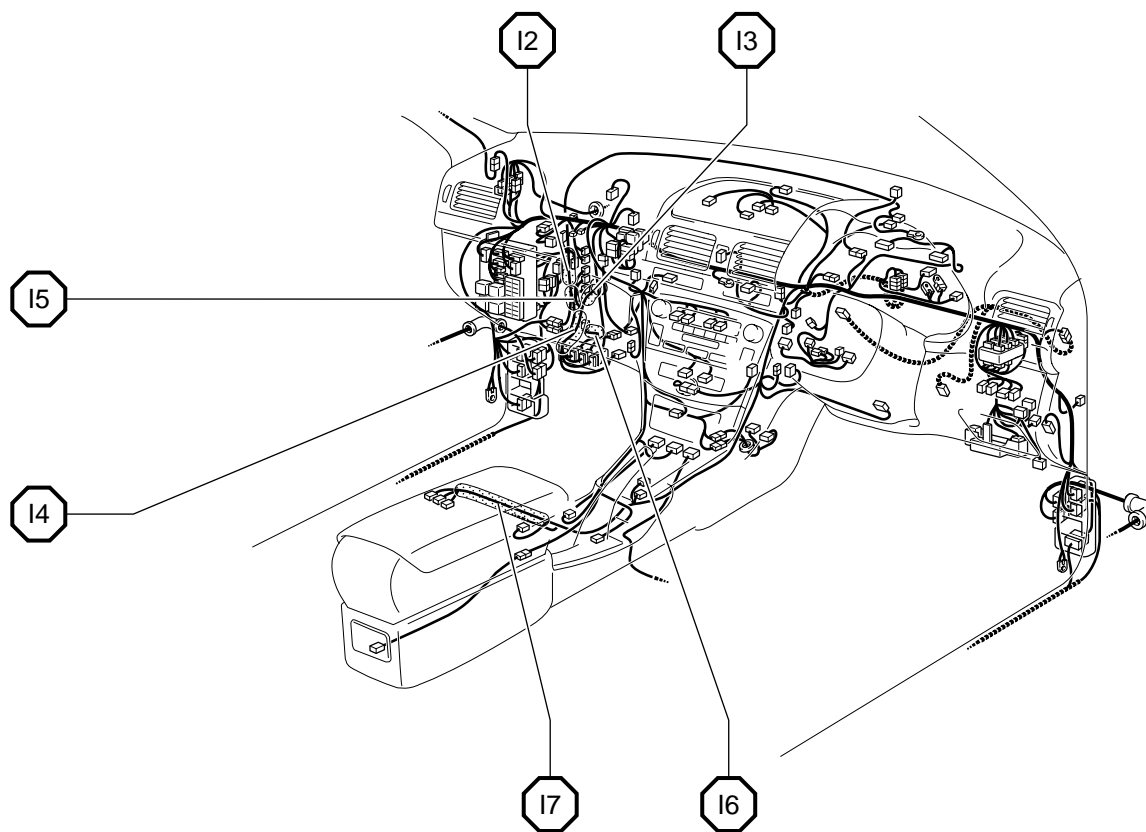
□ : Location of Connector Joining Wire Harness and Wire Harness

[RHD]

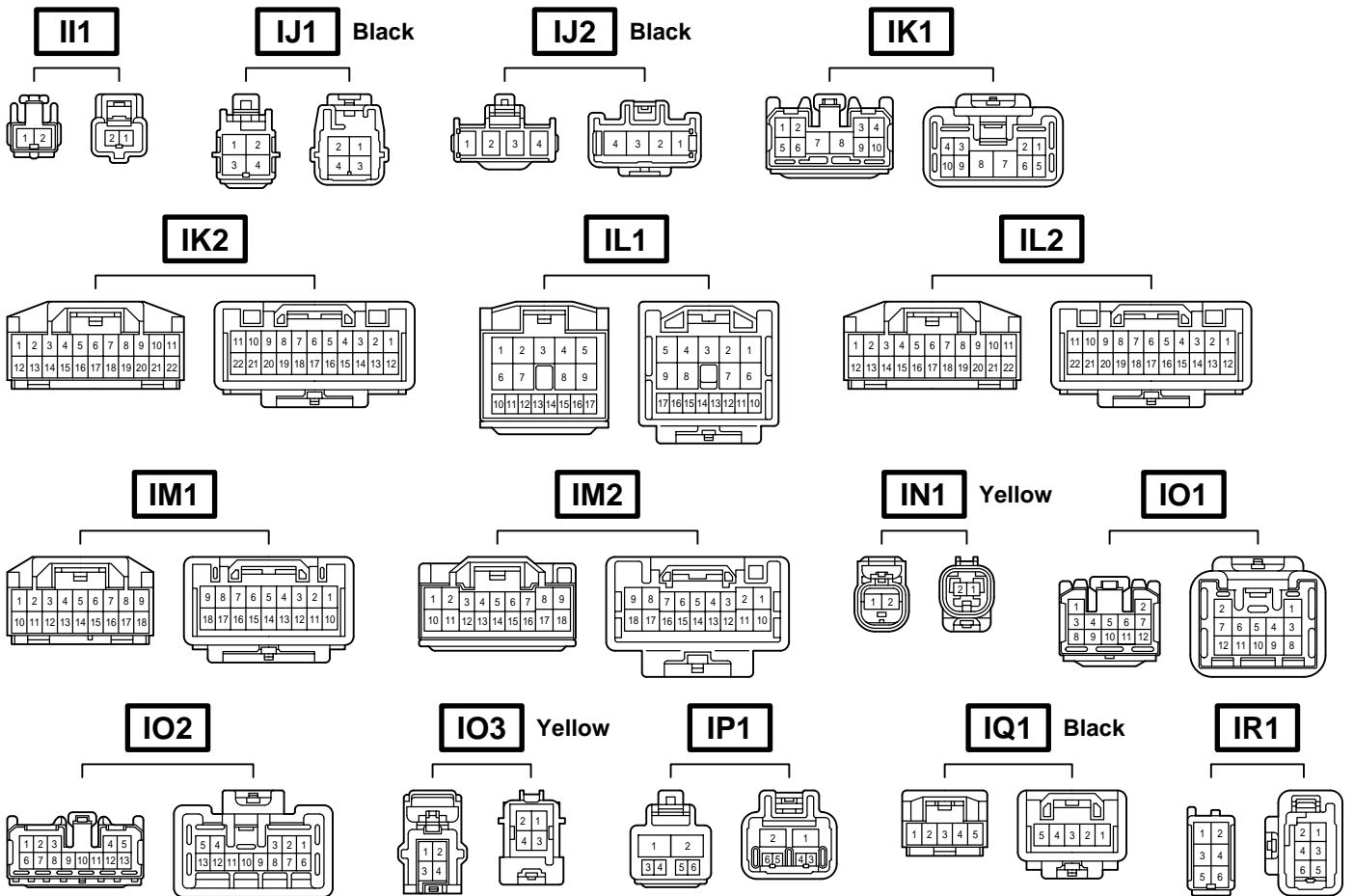
*1:Except Automatic A/C
*2:Automatic A/C



○ : Location of Splice Points



Connector Joining Wire Harness and Wire Harness



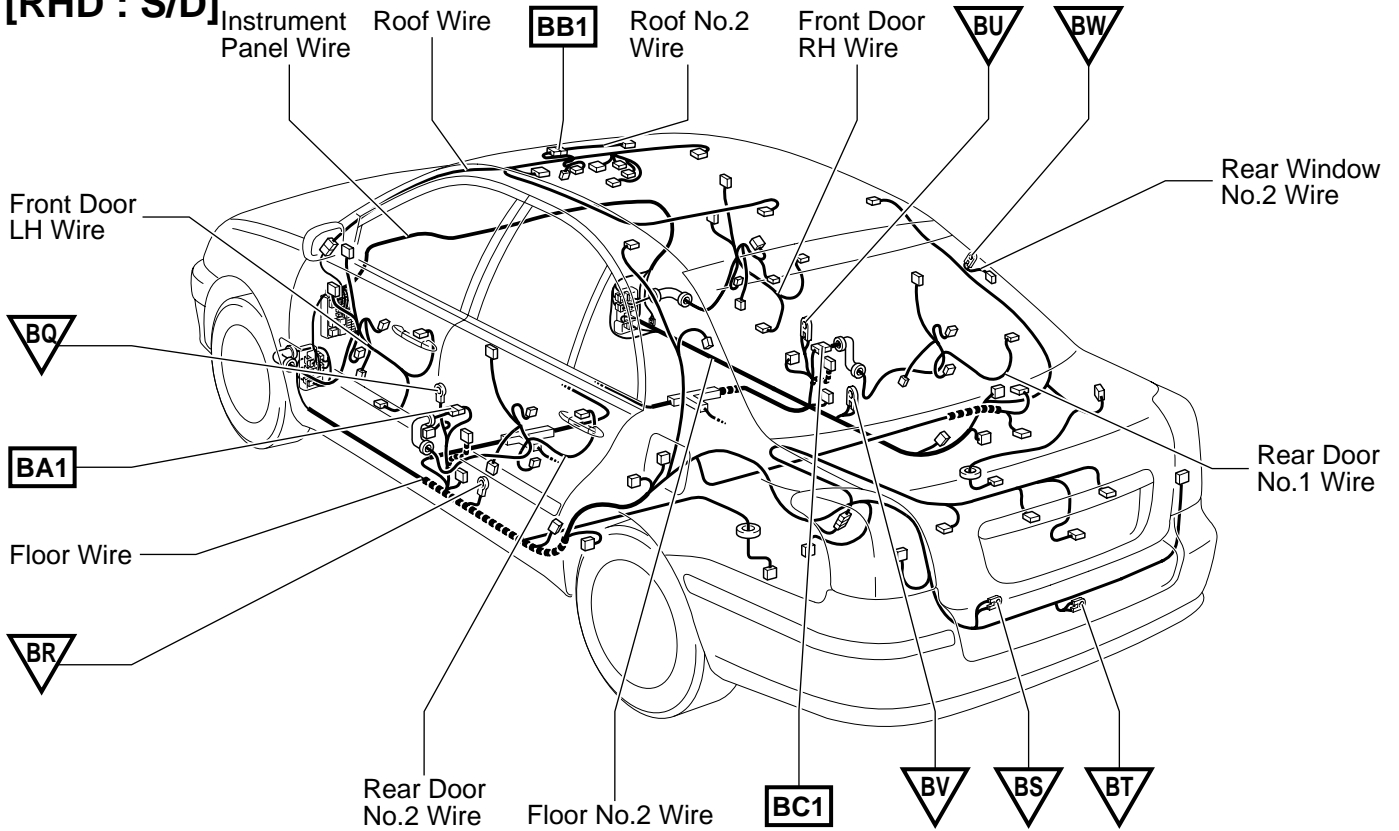
Code	Joining Wire Harness and Wire Harness (Connector Location)
II1	Instrument Panel Wire and Instrument Panel No.3 Wire (Under the Console Box)
IJ1	Instrument Panel Wire and A/C Sub Wire No.2 (Right Side of the A/C Unit)
IJ2	
IK1	Engine Wire and Instrument Panel Wire (Behind the Glove Box)
IK2	
IL1	Front Door RH Wire and Instrument Panel Wire (Right Kick Panel)
IL2	
IM1	Instrument Panel Wire and Floor No.2 Wire (Right Kick Panel)
IM2	
IN1	Floor No.2 Wire and Instrument Panel Wire (Right Kick Panel)
IO1	
IO2	Engine Room Main Wire and Instrument Panel Wire (Left Side of the Instrument Panel)
IO3	
IP1	Engine Room Main Wire and Instrument Panel Wire (Instrument Panel Reinforcement LH)
IQ1	Instrument Panel Wire and A/C Sub Wire No.3 (Behind the Glove Box)
IR1	Instrument Panel Wire and Cowl Wire (Right Side of the Instrument Panel)

G ELECTRICAL WIRING ROUTING

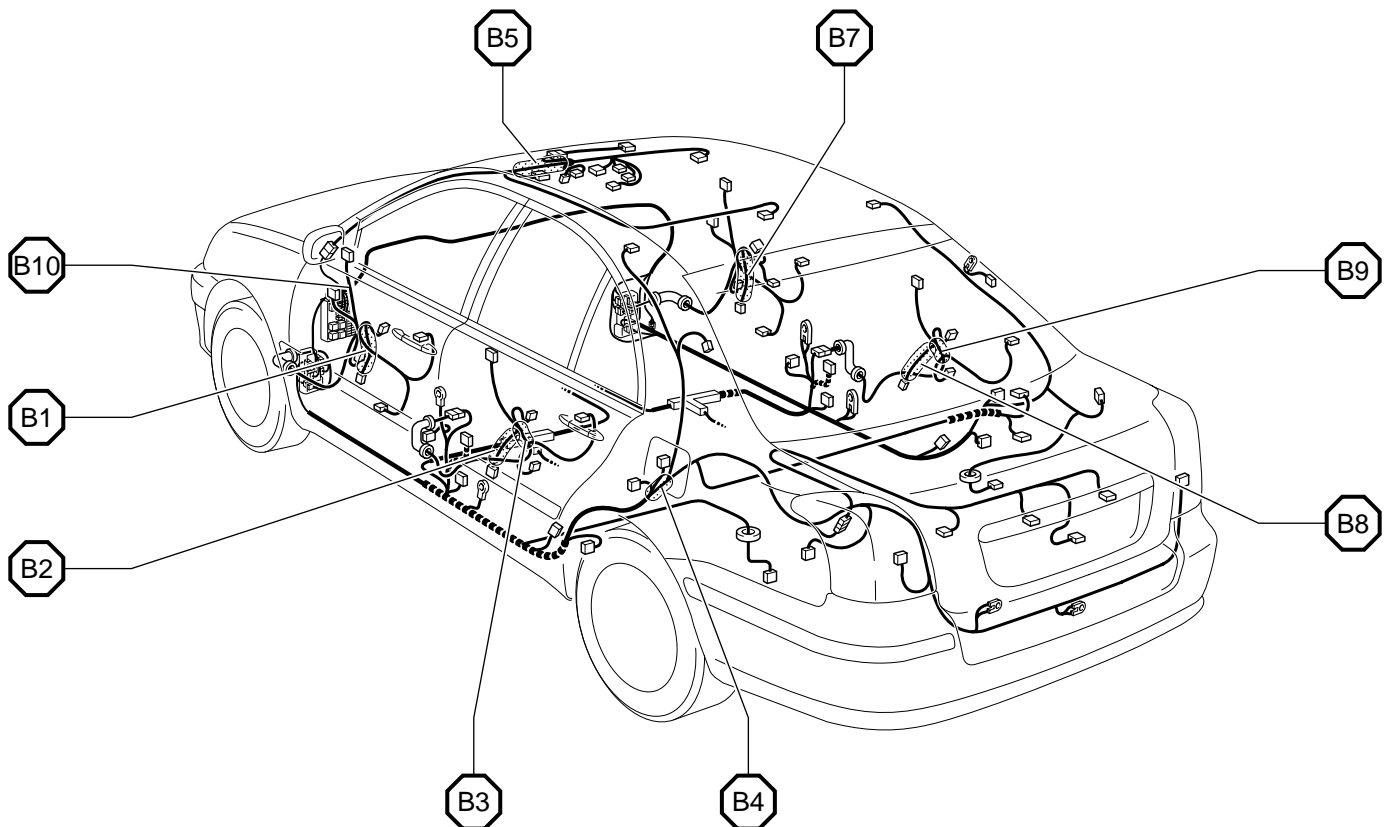
□ : Location of Connector Joining Wire Harness and Wire Harness

▽ : Location of Ground Points

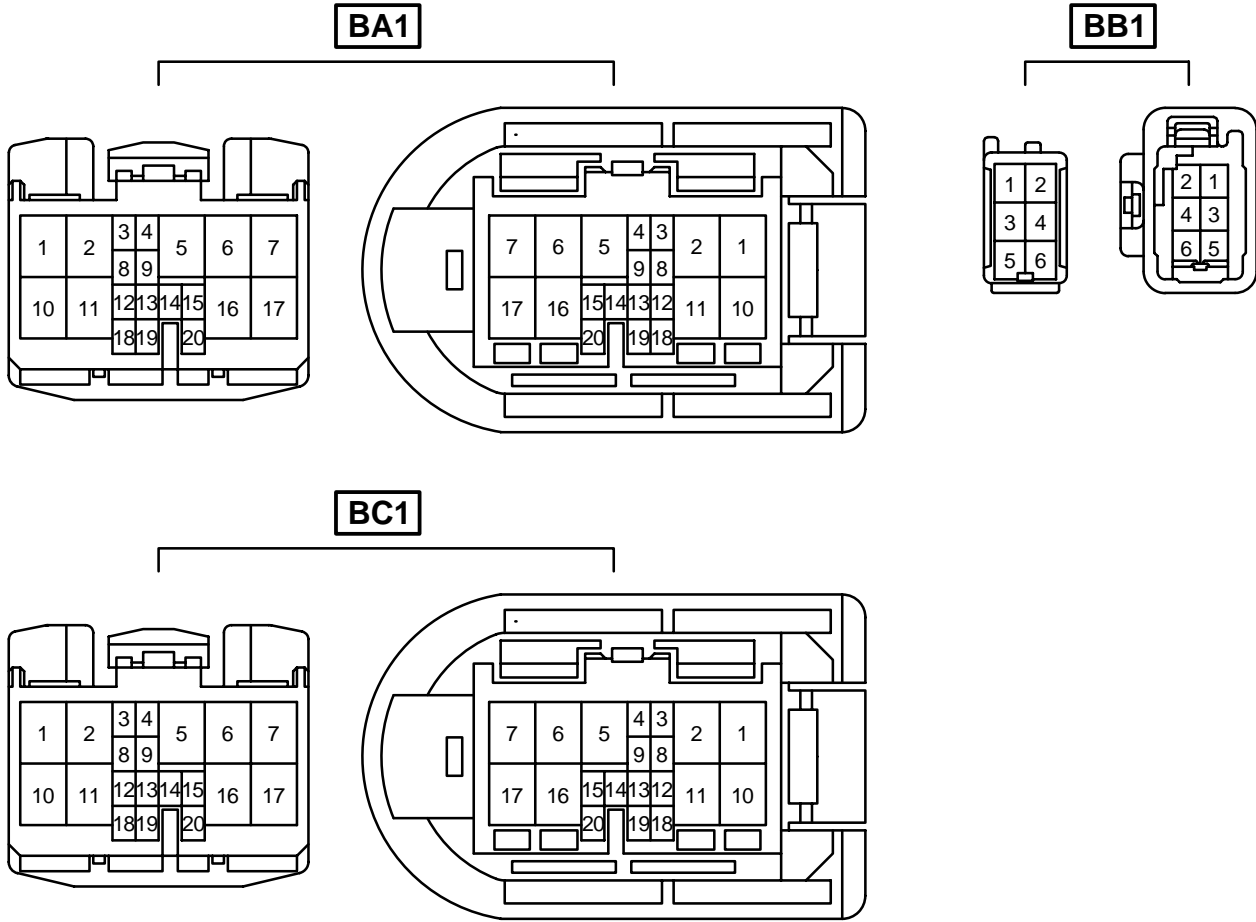
[RHD : S/D]



○ : Location of Splice Points



Connector Joining Wire Harness and Wire Harness



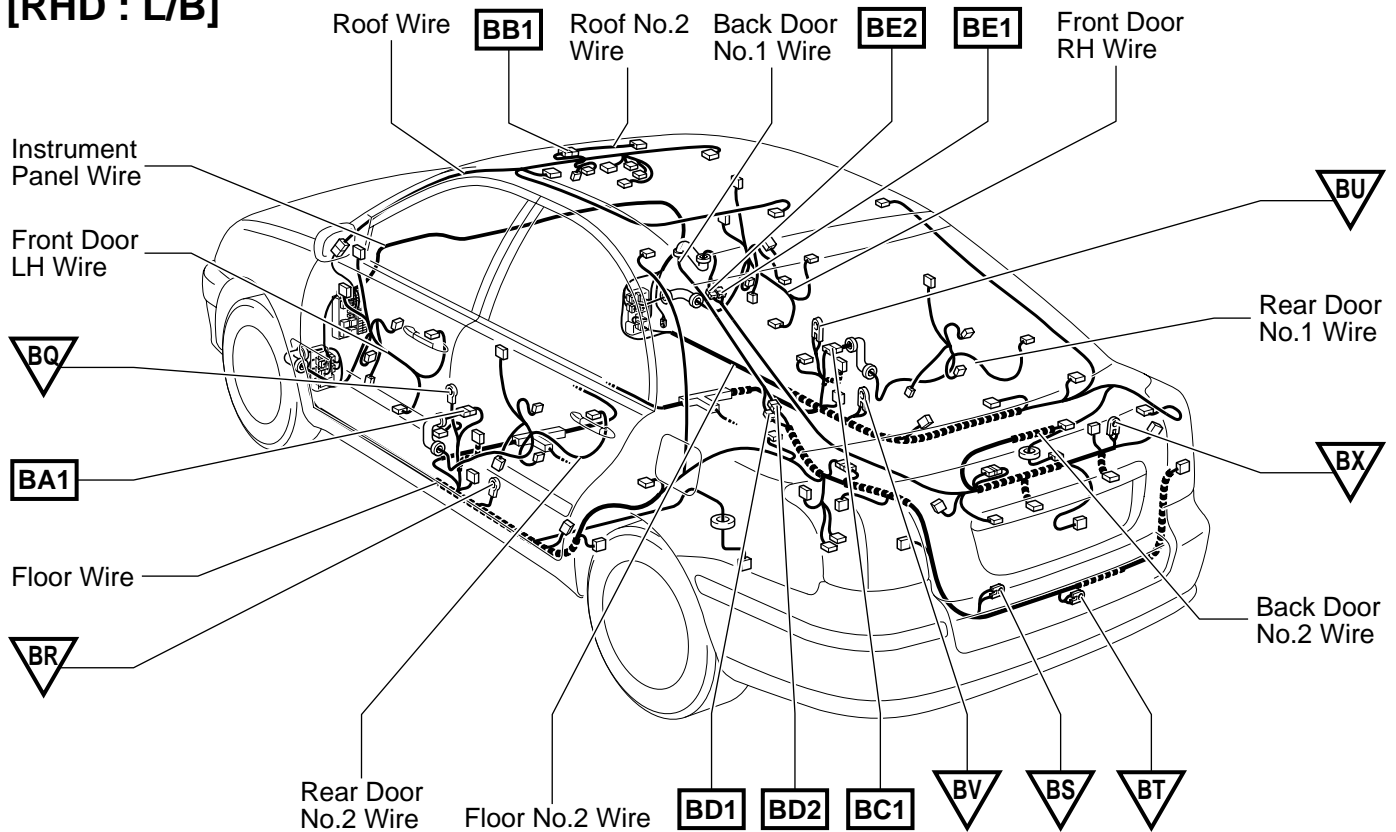
Code	Joining Wire Harness and Wire Harness (Connector Location)
BA1	Rear Door No.2 Wire and Floor Wire (Under the Left Center Pillar)
BB1	Roof Wire and Roof No.2 Wire (Near the Personal Light)
BC1	Rear Door No.1 Wire and Floor No.2 Wire (Under the Right Center Pillar)

G ELECTRICAL WIRING ROUTING

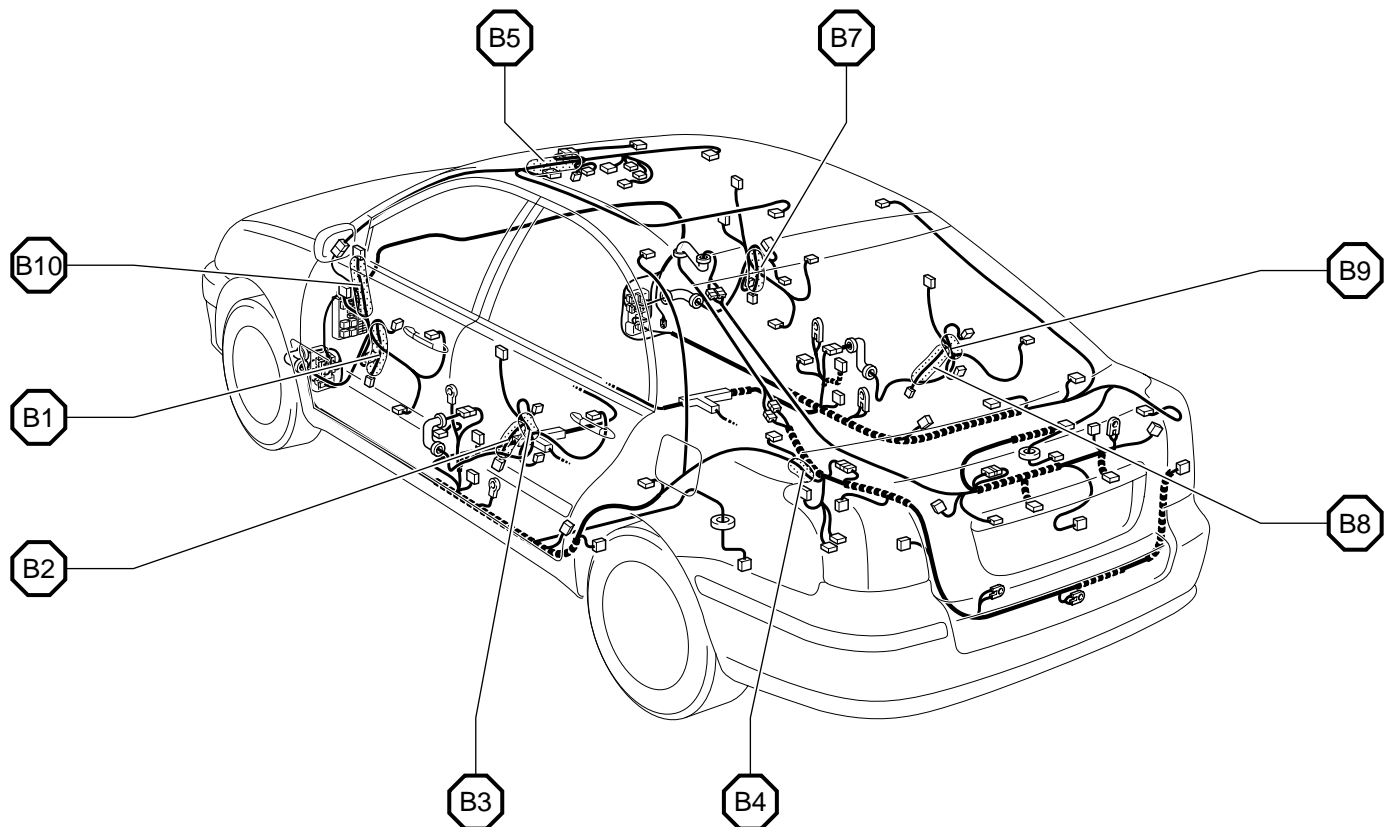
□ : Location of Connector Joining Wire Harness and Wire Harness

▽ : Location of Ground Points

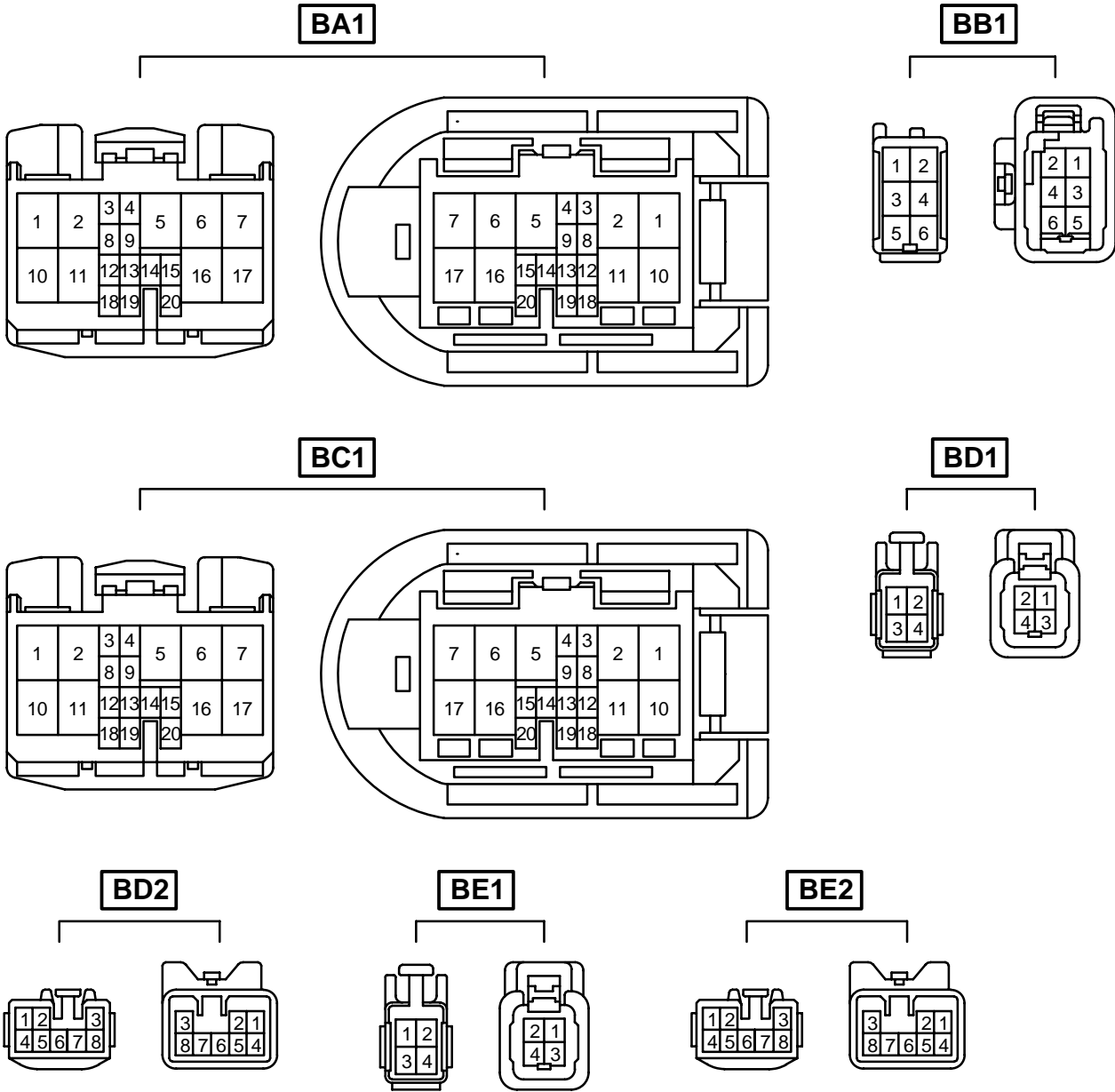
[RHD : L/B]



○ : Location of Splice Points



Connector Joining Wire Harness and Wire Harness



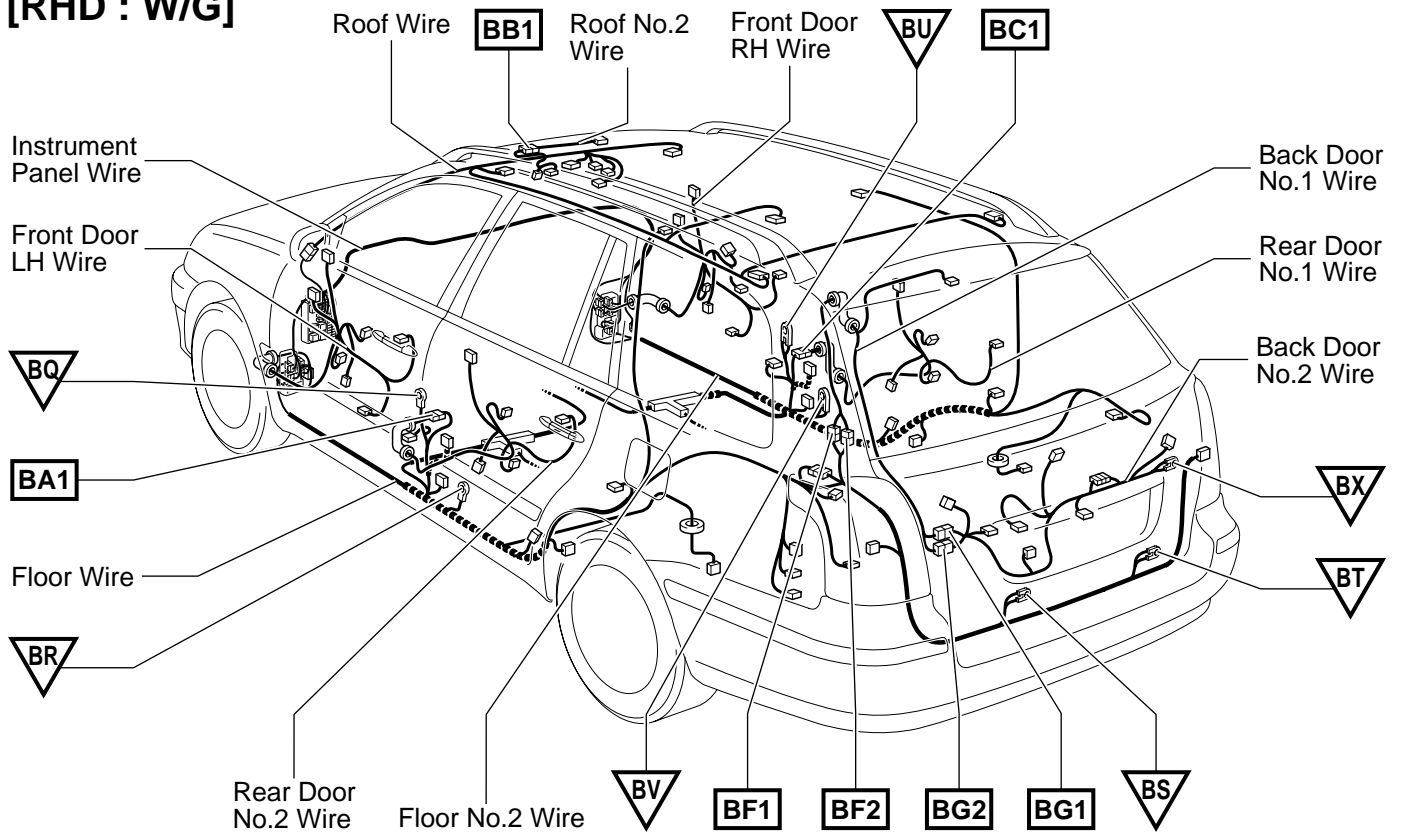
Code	Joining Wire Harness and Wire Harness (Connector Location)
BA1	Rear Door No.2 Wire and Floor Wire (Under the Left Center Pillar)
BB1	Roof Wire and Roof No.2 Wire (Near the Personal Light)
BC1	Rear Door No.1 Wire and Floor No.2 Wire (Under the Right Center Pillar)
BD1	Back Door No.1 Wire and Floor Wire (Under the Left Quarter Pillar)
BD2	
BE1	Back Door No.2 Wire and Back Door No.1 Wire (Back Door Upper Left)
BE2	

G ELECTRICAL WIRING ROUTING

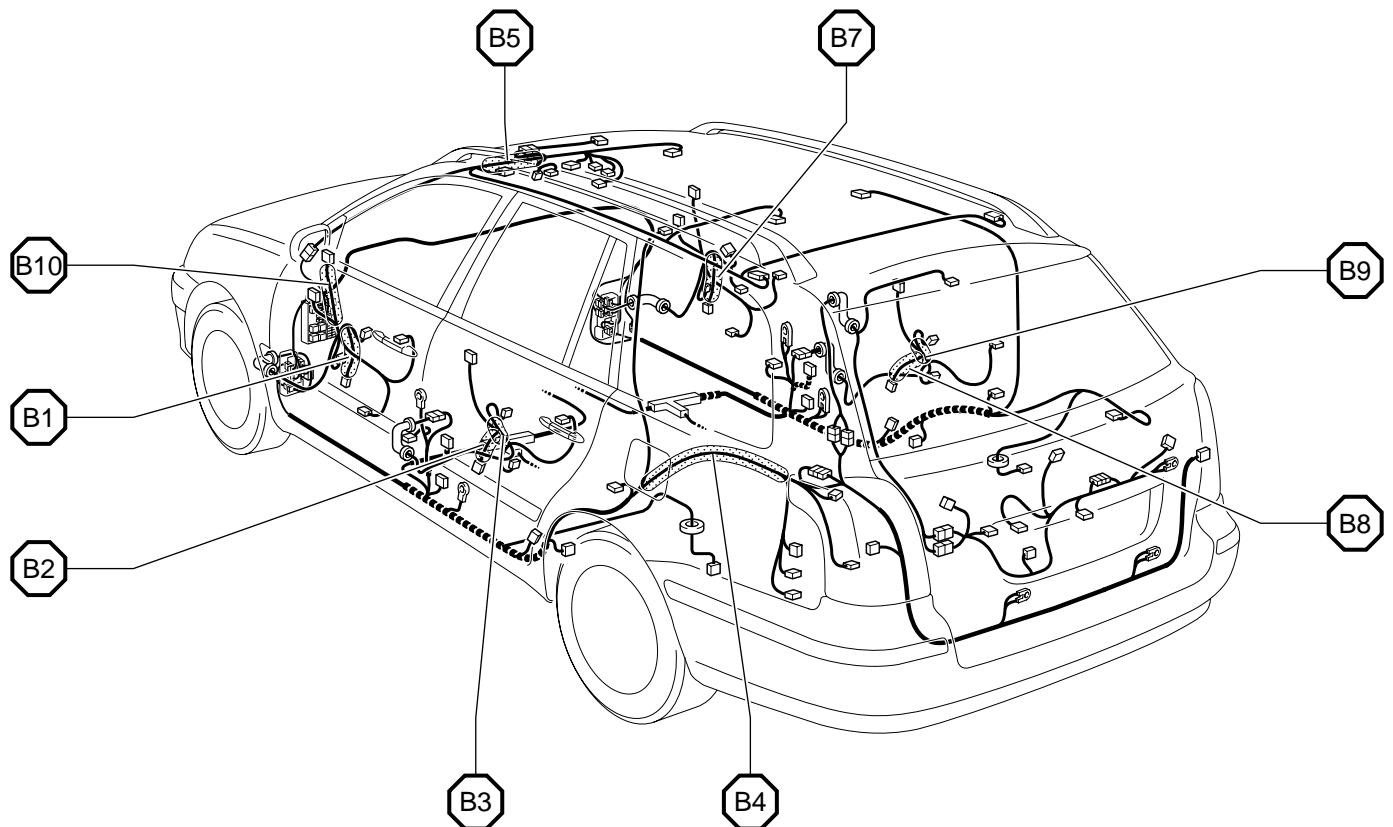
□ : Location of Connector Joining Wire Harness and Wire Harness

▽ : Location of Ground Points

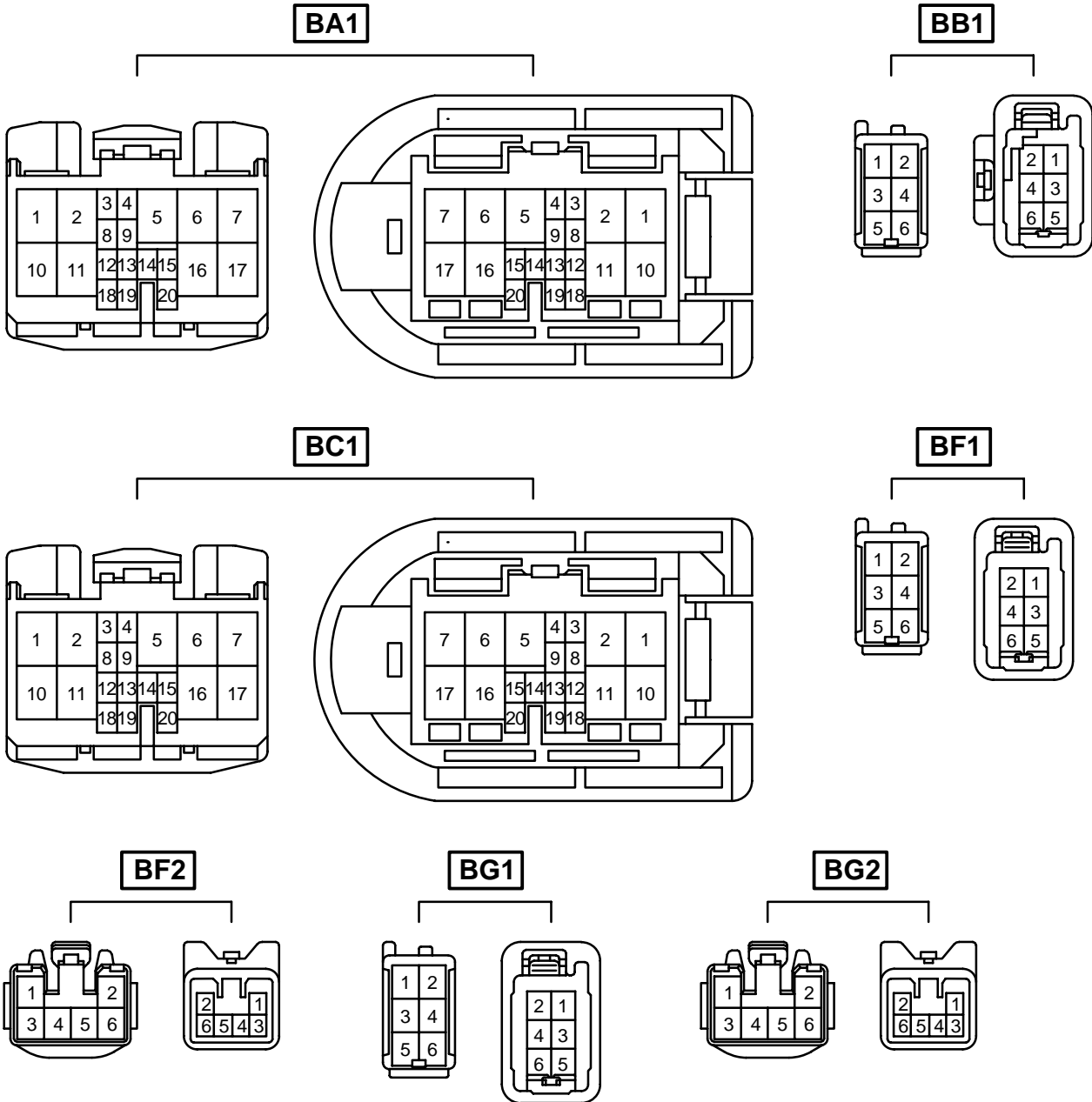
[RHD : W/G]



○ : Location of Splice Points



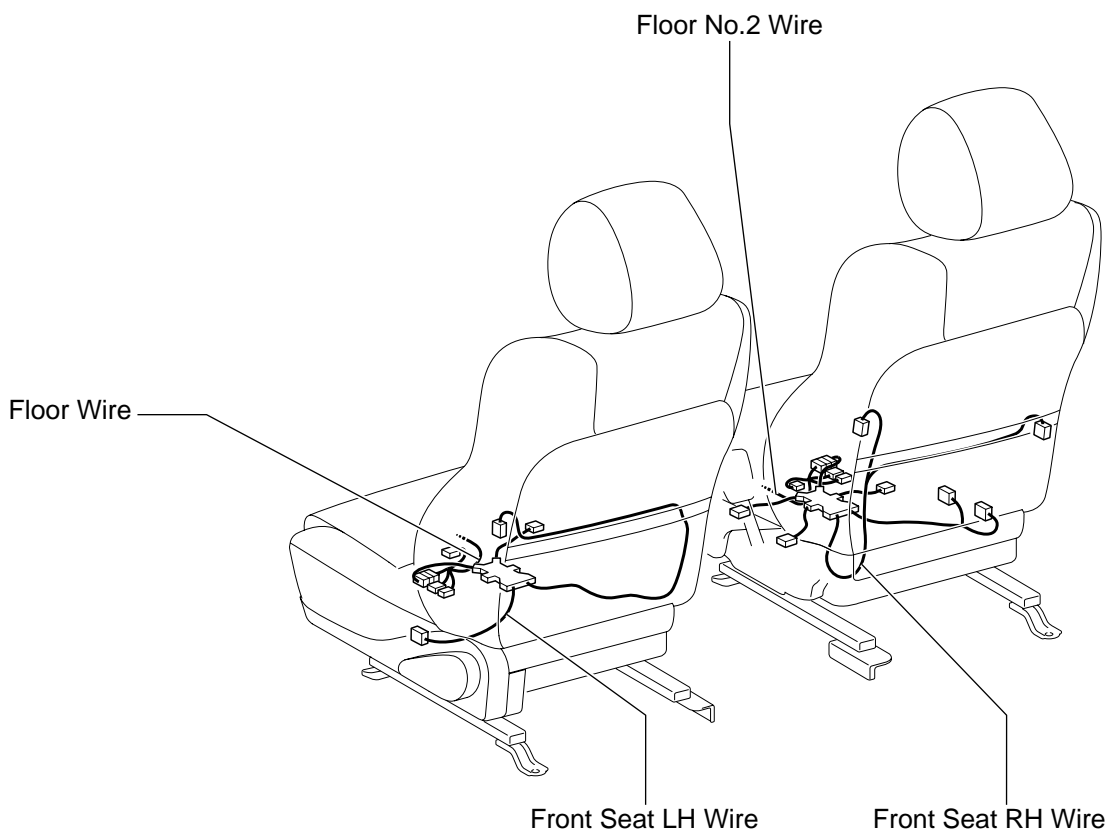
Connector Joining Wire Harness and Wire Harness



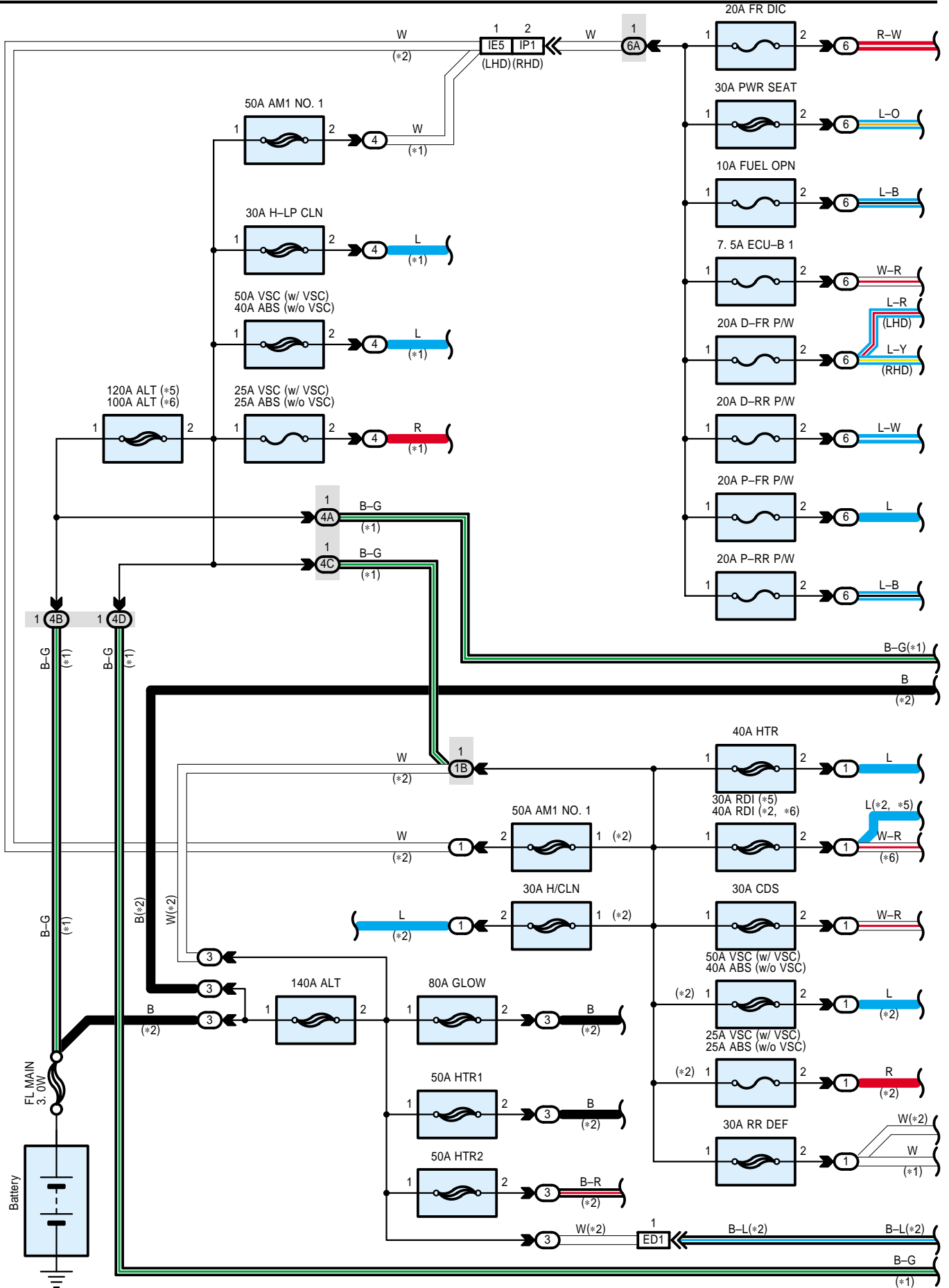
Code	Joining Wire Harness and Wire Harness (Connector Location)
BA1	Rear Door No.2 Wire and Floor Wire (Under the Left Center Pillar)
BB1	Roof Wire and Roof No.2 Wire (Near the Personal Light)
BC1	Rear Door No.1 Wire and Floor No.2 Wire (Under the Right Center Pillar)
BF1	Back Door No.1 Wire and Floor Wire (Under the Left Quarter Pillar)
BF2	Back Door No.1 Wire and Floor Wire (Under the Left Quarter Pillar)
BG1	Back Door No.1 Wire and Back Door No.2 Wire (Back Door Left)
BG2	Back Door No.1 Wire and Back Door No.2 Wire (Back Door Left)

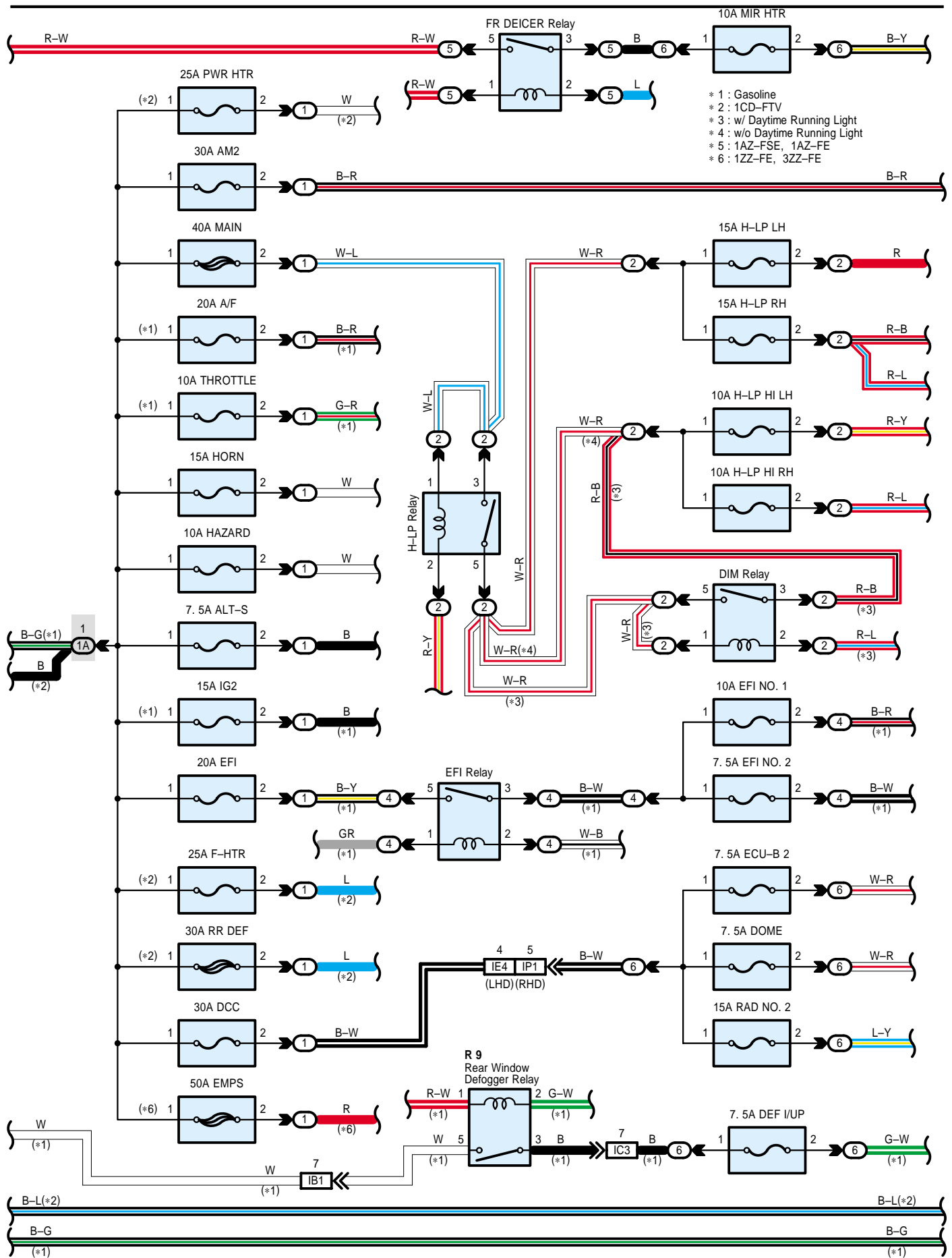
G ELECTRICAL WIRING ROUTING

[RHD]

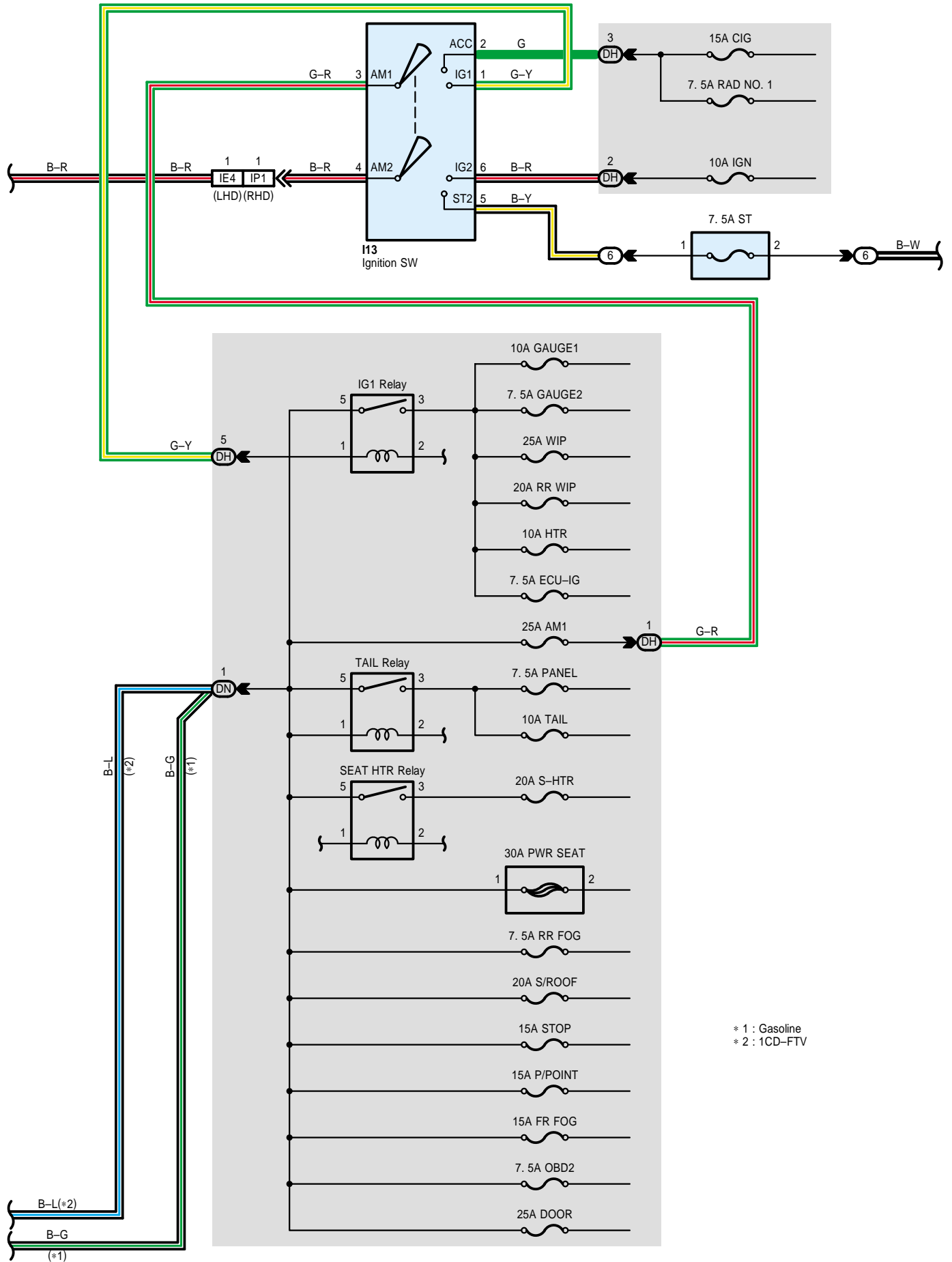


Power Source





Power Source



Service Hints**I13 Ignition SW**

3-2 : Closed with the ignition key at ACC or ON position

3-1 : Closed with the ignition key at ON or ST position

4-6 : Closed with the ignition key at ON or ST position

4-5 : Closed with the ignition key at ST position

 : **Parts Location**

Code	See Page	Code	See Page	Code	See Page
I13	47 (LHD)	R9	49 (LHD)		
	67 (RHD)		69 (RHD)		

 : **Relay Blocks**

Code	See Page	Relay Blocks (Relay Block Location)
1	24 (*1)	Engine Room R/B No.1 (Engine Compartment Left)
	25 (*2)	
2	26	Engine Room R/B No.2 (Near the Radiator Fan)
3	26	Engine Room R/B No.3 (Left Side of the Suspension Tower)
4	27	Engine Room R/B No.4 (Left Side of the Suspension Tower)
5	28 (LHD)	Driver Side R/B (Left Side of the Instrument Panel)
	28 (RHD)	Driver Side R/B (Instrument Panel Reinforcement LH)
6	29	Fuse Block (Lower Finish Panel)

 : **Junction Block and Wire Harness Connector**

Code	See Page	Junction Block and Wire Harness (Connector Location)
1A	24 (*1)	Engine Room Main Wire and Engine Room J/B No.1 (Engine Compartment Left)
	25 (*2)	Engine Wire and Engine Room J/B No.1 (Engine Compartment Left)
1B	24 (*1)	Engine Room Main Wire and Engine Room J/B No.1 (Engine Compartment Left)
	25 (*2)	Engine Wire and Engine Room J/B No.1 (Engine Compartment Left)
4A	27	Engine Room Main Wire and Engine Room J/B No.4 (Left Side of the Suspension Tower)
4B		
4C		
4D		
6A	29	Instrument Panel Wire and J/B No.6 (Lower Finish Panel)
DH	30	Instrument Panel Wire and Driver Side J/B (Left Side of the Instrument Panel)
DN	31	Engine Room Main Wire and Driver Side J/B (Left Side of the Instrument Panel)

 : **Connector Joining Wire Harness and Wire Harness**

Code	See Page	Joining Wire Harness and Wire Harness (Connector Location)
ED1	84 (*6)	Engine Wire and Engine Room Main Wire (Left Side of the Suspension Tower)
	104 (*10)	
IB1	86 (LHD)	Engine Room Main Wire and Floor Wire (Near the Driver Side J/B)
	106 (RHD)	
IC3	86 (LHD)	Instrument Panel Wire and Floor Wire (Left Kick Panel)
	106 (RHD)	
IE4	86 (LHD)	Engine Room Main Wire and Instrument Panel Wire (Behind the Combination Meter)
IE5		
IP1	108 (RHD)	Engine Room Main Wire and Instrument Panel Wire (Instrument Panel Reinforcement LH)

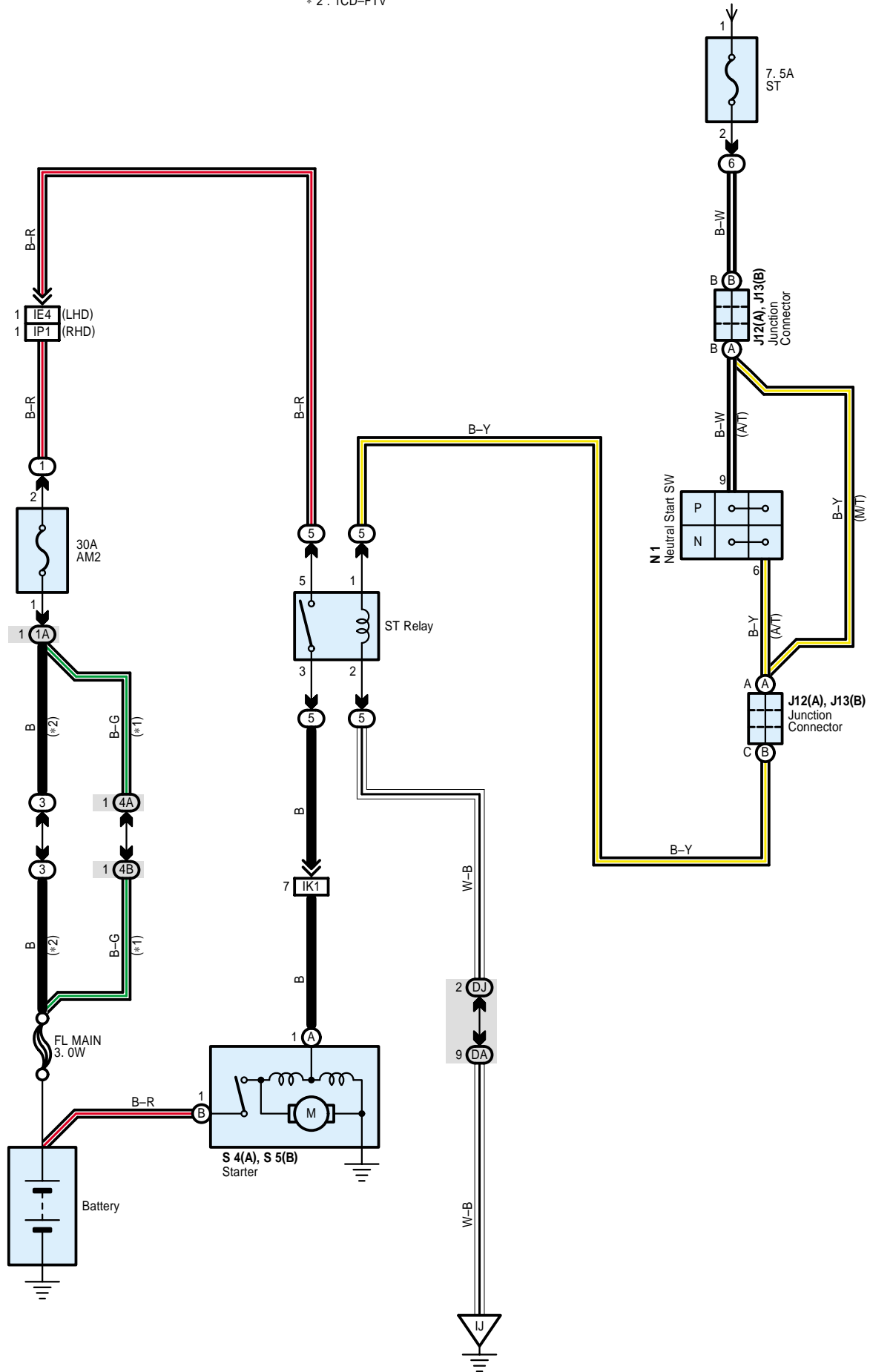
* 1 : Gasoline * 2 : 1CD-FTV * 3 : LHD 1AZ-FSE * 4 : LHD 1AZ-FE * 5 : LHD 1ZZ-FE, 3ZZ-FE * 6 : LHD 1CD-FTV

* 7 : RHD 1AZ-FSE * 8 : RHD 1AZ-FE * 9 : RHD 1ZZ-FE, 3ZZ-FE * 10 : RHD 1CD-FTV

Starting

* 1 : Gasoline
 * 2 : 1CD-FTV

From Power Source System (See Page 120)



Service Hints

S4 (A), S5 (B) Starter

Point closed with the neutral start SW at P or N position and the ignition SW at ST position (A/T)

Point closed with the ignition SW at ST position (M/T)

N1 Neutral Start SW

9-6 : Closed with the shift lever in P or N position

ST Relay

5-3 : Closed with the neutral start SW at P or N position and the ignition SW at ST position (A/T)

Closed with the ignition SW at ST position (M/T)

○ : Parts Location

Code	See Page	Code	See Page	Code	See Page		
J12	A	48 (LHD)	N1	63 (*9)	39 (*3)		
		68 (RHD)				39 (*3)	
J13	B	48 (LHD)	S4	A	41 (*4)		
		68 (RHD)				43 (*5)	
N1		39 (*3)			S5		
		41 (*4)				B	
		43 (*5)					45 (*6)
		59 (*7)					59 (*7)
		61 (*8)					61 (*8)
61 (*8)	63 (*9)						
		61 (*8)			65 (*10)		
		65 (*10)					

○ : Relay Blocks

Code	See Page	Relay Blocks (Relay Block Location)
1	24 (*1)	Engine Room R/B No.1 (Engine Compartment Left)
	25 (*2)	
3	26	Engine Room R/B No.3 (Left Side of the Suspension Tower)
5	28 (LHD)	Driver Side R/B (Left Side of the Instrument Panel)
	28 (RHD)	Driver Side R/B (Instrument Panel Reinforcement LH)
6	29	Fuse Block (Lower Finish Panel)

○ : Junction Block and Wire Harness Connector

Code	See Page	Junction Block and Wire Harness (Connector Location)
1A	24 (*1)	Engine Room Main Wire and Engine Room J/B No.1 (Engine Compartment Left)
	25 (*2)	Engine Wire and Engine Room J/B No.1 (Engine Compartment Left)
4A	27	Engine Room Main Wire and Engine Room J/B No.4 (Left Side of the Suspension Tower)
4B		
DA	30	Instrument Panel Wire and Driver Side J/B (Left Side of the Instrument Panel)
DJ		

□ : Connector Joining Wire Harness and Wire Harness

Code	See Page	Joining Wire Harness and Wire Harness (Connector Location)
IE4	86 (LHD)	Engine Room Main Wire and Instrument Panel Wire (Behind the Combination Meter)
IK1	88 (LHD)	Engine Wire and Instrument Panel Wire (Behind the Glove Box)
	108 (RHD)	
IP1	108 (RHD)	Engine Room Main Wire and Instrument Panel Wire (Instrument Panel Reinforcement LH)

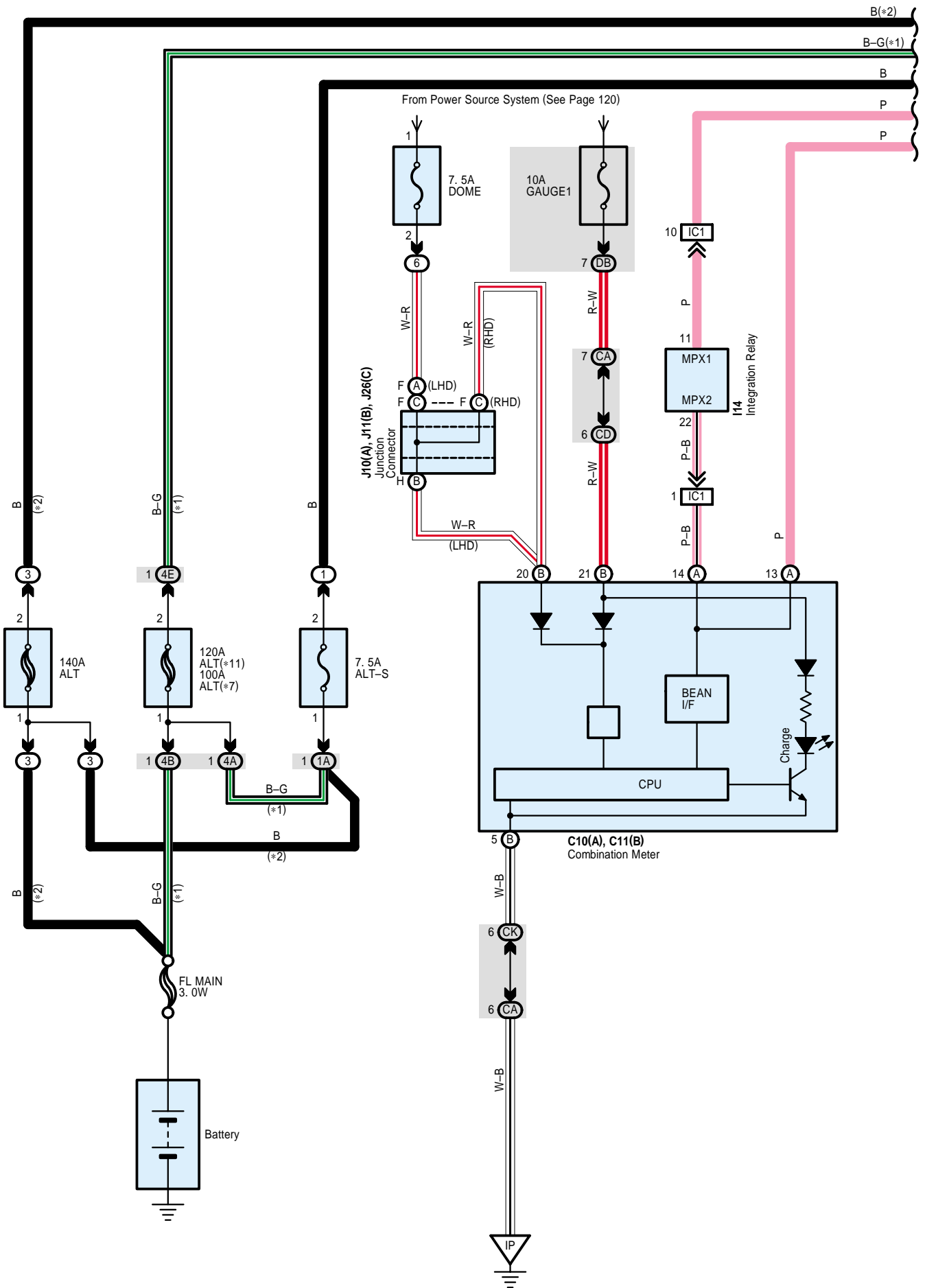
▽ : Ground Points

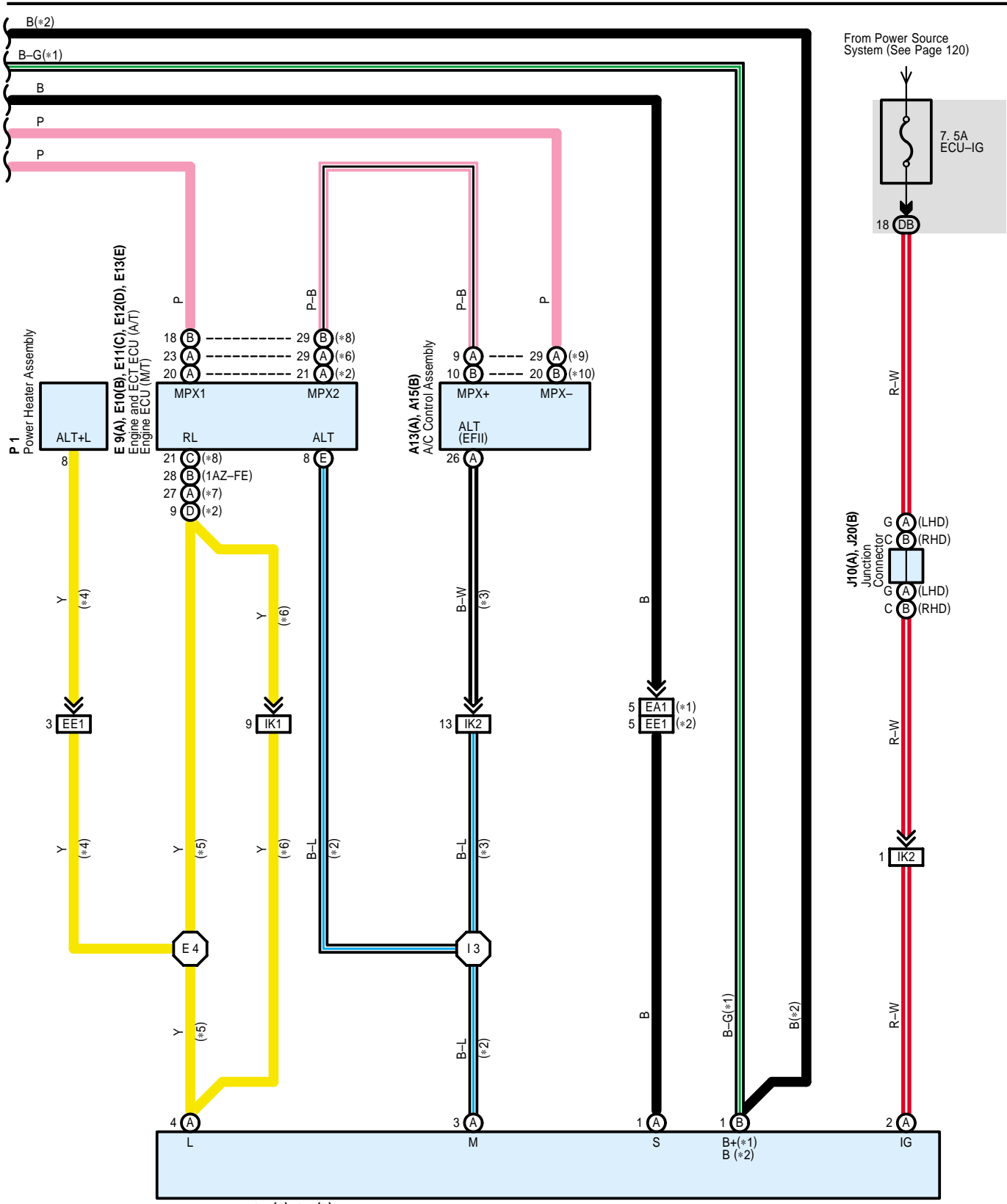
Code	See Page	Ground Points Location
IJ	86 (LHD)	Left Kick Panel
	106 (RHD)	

* 1 : Gasoline * 2 : 1CD-FTV * 3 : LHD 1AZ-FSE * 4 : LHD 1AZ-FE * 5 : LHD 1ZZ-FE, 3ZZ-FE * 6 : LHD 1CD-FTV

* 7 : RHD 1AZ-FSE * 8 : RHD 1AZ-FE * 9 : RHD 1ZZ-FE, 3ZZ-FE * 10 : RHD 1CD-FTV

Charging





- * 1 : Gasoline
- * 2 : 1CD-FTV
- * 3 : Power Heater (Electrical Type)
- * 4 : Power Heater (Combustion Type)
- * 5 : 1AZ-FSE, 1CD-FTV
- * 6 : 1AZ-FE, 1ZZ-FE, 3ZZ-FE
- * 7 : 1ZZ-FE, 3ZZ-FE
- * 8 : 1AZ-FSE
- * 9 : Except Automatic A/C
- * 10 : Automatic A/C
- * 11 : 1AZ-FSE, 1AZ-FE

Charging

Service Hints

A11 (A) Alternator

- (A) 1-Ground : 13.2–14.0 volts with the engine running at 6000 rpm and 135°C (275°F) (Gasoline)
 13.2–14.0 volts with the engine running at 5000 rpm and 115°C (239°F) (1CD-FTV, taxi package w/ A/C)
 13.2–13.7 volts with the engine running at 5000 rpm and 115°C (239°F) (Taxi package w/o A/C)

○ : Parts Location

Code	See Page	Code	See Page	Code	See Page			
A11	A	A12	B	E11	C	38 (*3)	62 (*9)	47 (LHD)
						40 (*4)	64 (*10)	67 (RHD)
		A13	A	E12	D	42 (*5)	46 (LHD)	47 (LHD)
						44 (*6)	66 (RHD)	67 (RHD)
		A15	B	E13	E	58 (*7)	46 (LHD)	47 (LHD)
						60 (*8)	66 (RHD)	67 (RHD)
		C10	A	114		62 (*9)	46 (LHD)	47 (LHD)
						64 (*10)	66 (RHD)	67 (RHD)
A12	B	C11	B	J10	A	38 (*3)	46 (LHD)	48 (LHD)
						40 (*4)	66 (RHD)	48 (LHD)
		E9	A	J20	B	42 (*5)	47 (LHD)	68 (RHD)
						44 (*6)	67 (RHD)	68 (RHD)
		E10	B	P1		58 (*7)	47 (LHD)	45 (*6)
						60 (*8)	67 (RHD)	

○ : Relay Blocks

Code	See Page	Relay Blocks (Relay Block Location)
1	24 (*1)	Engine Room R/B No.1 (Engine Compartment Left)
	25 (*2)	
3	26	Engine Room R/B No.3 (Left Side of the Suspension Tower)
6	29	Fuse Block (Lower Finish Panel)

○ : Junction Block and Wire Harness Connector

Code	See Page	Junction Block and Wire Harness (Connector Location)
1A	24 (*1)	Engine Room Main Wire and Engine Room J/B No.1 (Engine Compartment Left)
	25 (*2)	Engine Wire and Engine Room J/B No.1 (Engine Compartment Left)
4A	27	Engine Room Main Wire and Engine Room J/B No.4 (Left Side of the Suspension Tower)
4B		
4E	27	Engine Wire and Engine Room J/B No.4 (Left Side of the Suspension Tower)
CA	34	Instrument Panel Wire and Center J/B (Instrument Panel Reinforcement RH)
CD		
CK		
DB	30	Instrument Panel Wire and Driver Side J/B (Left Side of the Instrument Panel)

* 1 : Gasoline * 2 : 1CD-FTV * 3 : LHD 1AZ-FSE * 4 : LHD 1AZ-FE * 5 : LHD 1ZZ-FE, 3ZZ-FE * 6 : LHD 1CD-FTV
 * 7 : RHD 1AZ-FSE * 8 : RHD 1AZ-FE * 9 : RHD 1ZZ-FE, 3ZZ-FE * 10 : RHD 1CD-FTV

 : **Connector Joining Wire Harness and Wire Harness**

Code	See Page	Joining Wire Harness and Wire Harness (Connector Location)
EA1	78 (*3)	Engine Wire and Engine Room Main Wire (Left Side of the Suspension Tower)
	80 (*4)	
	82 (*5)	
	98 (*7)	
	100 (*8)	
	102 (*9)	
EE1	84 (*6)	Engine Wire and Engine Room Main Wire (Engine Compartment Left)
	104 (*10)	
IC1	86 (LHD)	Instrument Panel Wire and Floor Wire (Left Kick Panel)
	106 (RHD)	
IK1	88 (LHD)	Engine Wire and Instrument Panel Wire (Behind the Glove Box)
	108 (RHD)	
IK2	88 (LHD)	
	108 (RHD)	

 : **Ground Points**

Code	See Page	Ground Points Location
IP	86 (LHD)	Right Kick Panel
	106 (RHD)	

 : **Splice Points**

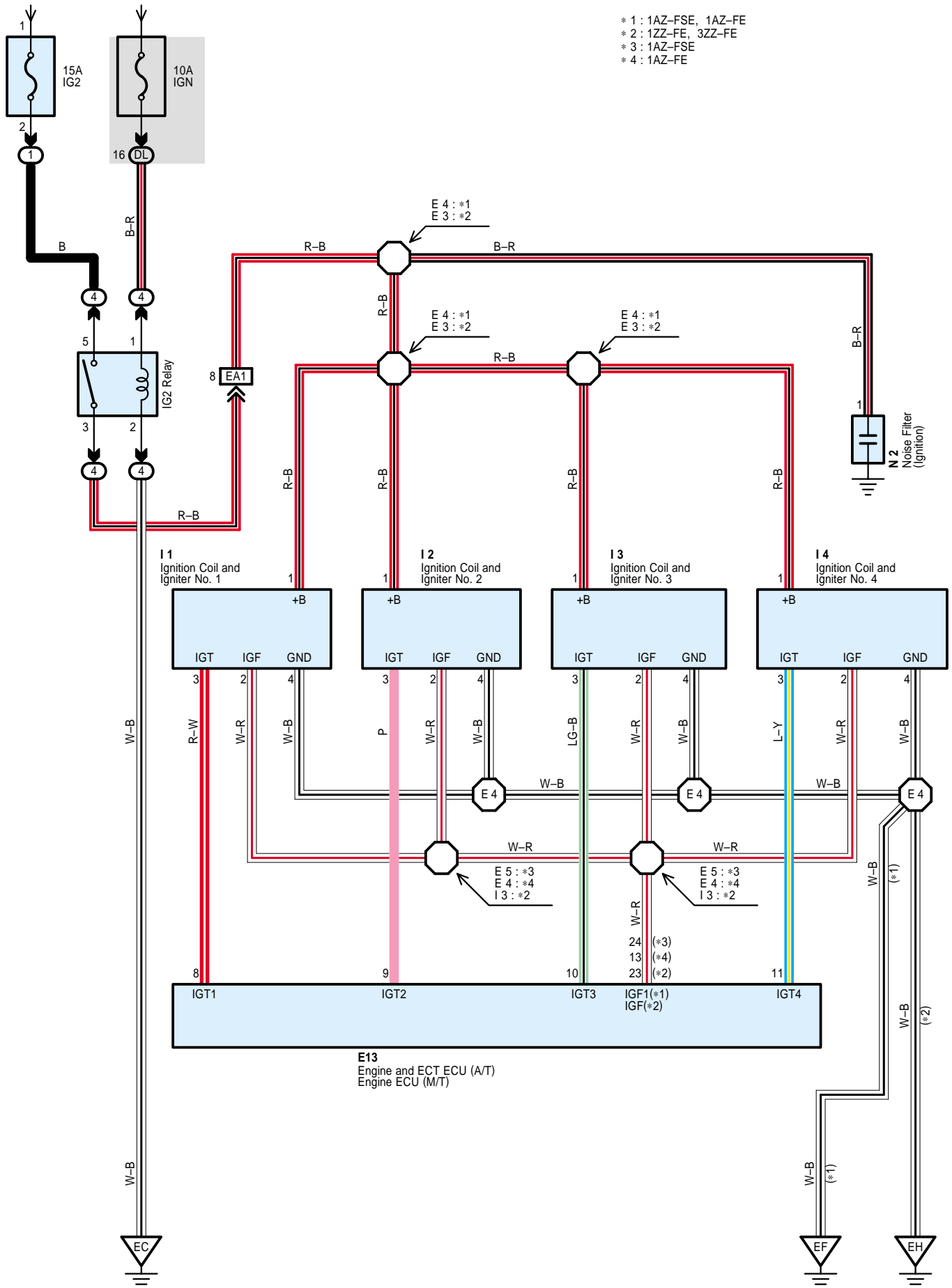
Code	See Page	Wire Harness with Splice Points	Code	See Page	Wire Harness with Splice Points
E4	84 (*6)	Engine Wire	I3	108 (RHD)	Engine Wire
I3	88 (LHD)				

* 1 : Gasoline * 2 : 1CD-FTV * 3 : LHD 1AZ-FSE * 4 : LHD 1AZ-FE * 5 : LHD 1ZZ-FE, 3ZZ-FE * 6 : LHD 1CD-FTV
 * 7 : RHD 1AZ-FSE * 8 : RHD 1AZ-FE * 9 : RHD 1ZZ-FE, 3ZZ-FE * 10 : RHD 1CD-FTV

Ignition

From Power Source System (See Page 120)

- * 1 : 1AZ-FSE, 1AZ-FE
- * 2 : 1ZZ-FE, 3ZZ-FE
- * 3 : 1AZ-FSE
- * 4 : 1AZ-FE



Service Hints

11, 12, I3, I4 Ignition Coil and Igniter No.1, No.2, No.3, No.4

1-Ground : Approx. 12 volts with the ignition SW at ON position

4-Ground : Always continuity

: Parts Location

Code	See Page	Code	See Page	Code	See Page
E13	47 (LHD)	I2	59 (*7)	I4	43 (*5)
	67 (RHD)		61 (*8)		59 (*7)
I1	39 (*3)		63 (*9)		61 (*8)
	41 (*4)	I3	39 (*3)		N2
	43 (*5)		41 (*4)	39 (*3)	
	59 (*7)		43 (*5)	41 (*4)	
	61 (*8)		59 (*7)	43 (*5)	
	63 (*9)		61 (*8)	59 (*7)	
39 (*3)	63 (*9)		61 (*8)		
I2	41 (*4)	I4	39 (*3)	61 (*8)	
	43 (*5)		41 (*4)	63 (*9)	

: Relay Blocks

Code	See Page	Relay Blocks (Relay Block Location)
1	24 (*1)	Engine Room R/B No.1 (Engine Compartment Left)
4	27	Engine Room R/B No.4 (Left Side of the Suspension Tower)

: Junction Block and Wire Harness Connector

Code	See Page	Junction Block and Wire Harness (Connector Location)
DL	31	Engine Room Main Wire and Driver Side J/B (Left Side of the Instrument Panel)

: Connector Joining Wire Harness and Wire Harness

Code	See Page	Joining Wire Harness and Wire Harness (Connector Location)
EA1	78 (*3)	Engine Wire and Engine Room Main Wire (Left Side of the Suspension Tower)
	80 (*4)	
	82 (*5)	
	98 (*7)	
	100 (*8)	
	102 (*9)	

* 1 : Gasoline * 2 : 1CD-FTV * 3 : LHD 1AZ-FSE * 4 : LHD 1AZ-FE * 5 : LHD 1ZZ-FE, 3ZZ-FE * 6 : LHD 1CD-FTV

* 7 : RHD 1AZ-FSE * 8 : RHD 1AZ-FE * 9 : RHD 1ZZ-FE, 3ZZ-FE * 10 : RHD 1CD-FTV

Ignition

: Ground Points

Code	See Page	Ground Points Location
EC	78 (*3)	Engine Compartment Left
	80 (*4)	
	82 (*5)	
	84 (*6)	
	98 (*7)	
	100 (*8)	
	102 (*9)	
	104 (*10)	
EF	78 (*3)	Left Side of the Cylinder Head
	80 (*4)	
	98 (*7)	
	100 (*8)	
EH	82 (*5)	
	102 (*9)	

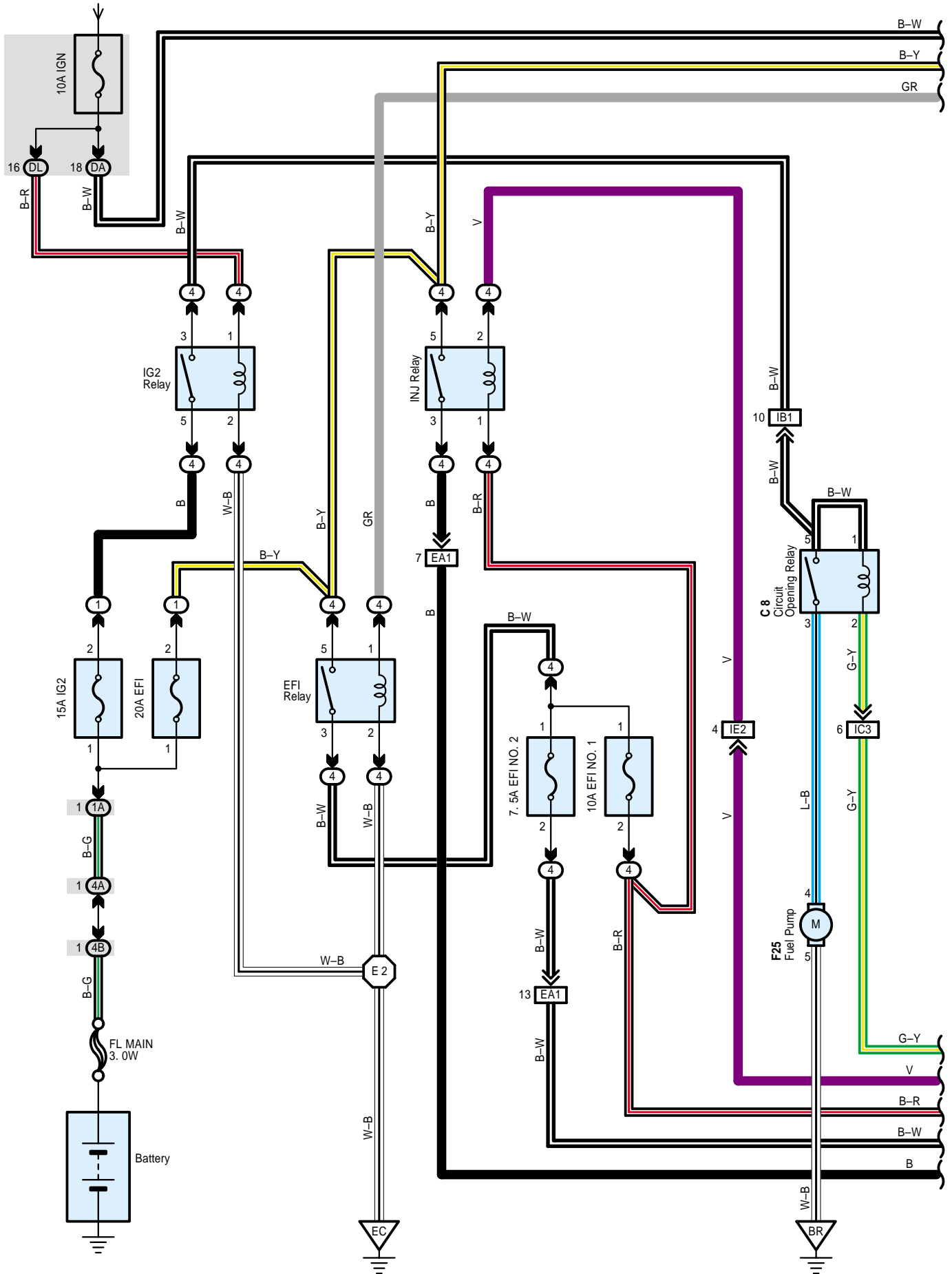
: Splice Points

Code	See Page	Wire Harness with Splice Points	Code	See Page	Wire Harness with Splice Points
E3	82 (*5)	Engine Wire	E4	100 (*8)	Engine Wire
	102 (*9)			102 (*9)	
E4	78 (*3)		E5	78 (*3)	
	80 (*4)			98 (*7)	
	82 (*5)		I3	88 (LHD)	
	98 (*7)			108 (RHD)	

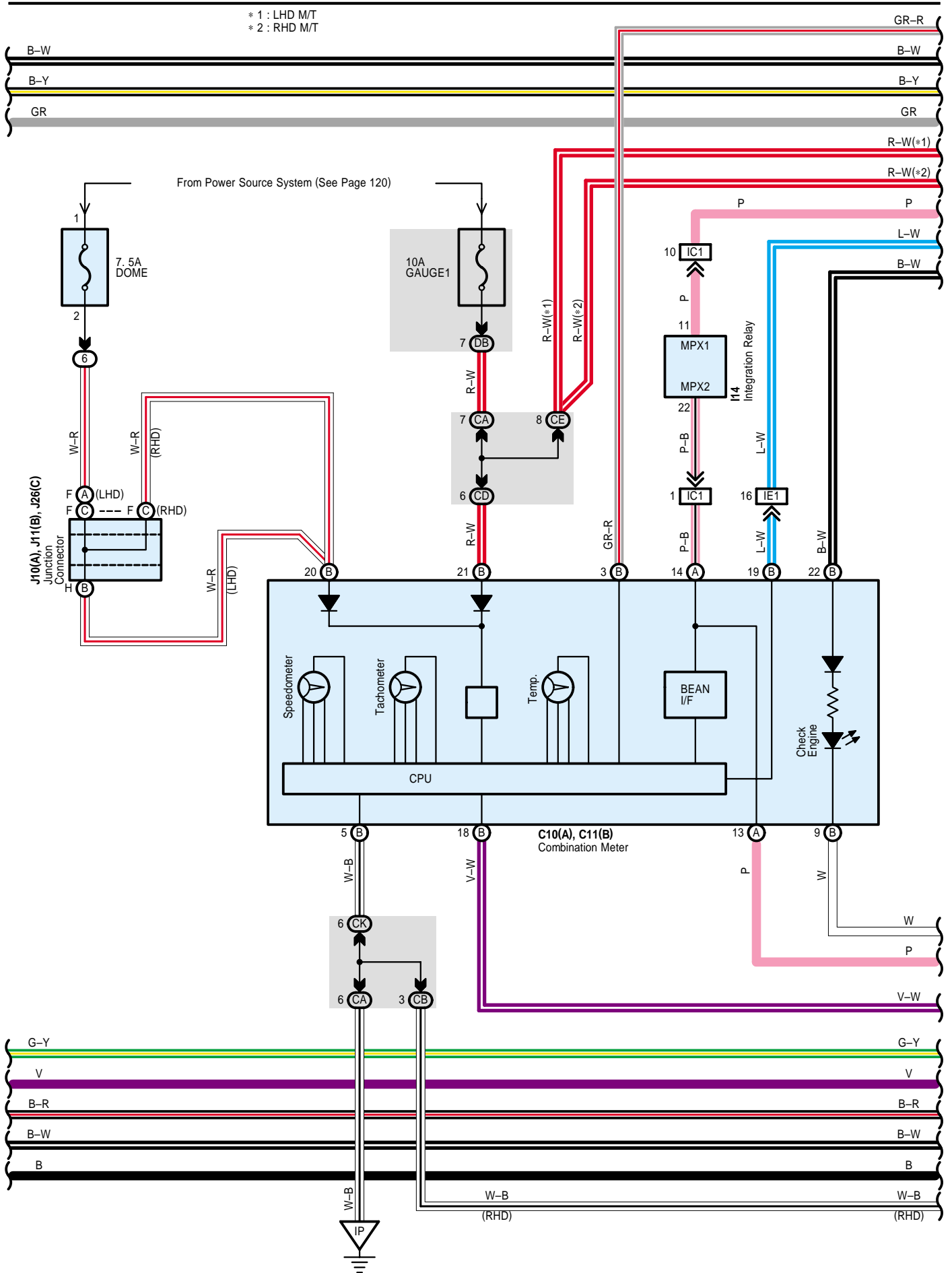
* 1 : Gasoline * 2 : 1CD-FTV * 3 : LHD 1AZ-FSE * 4 : LHD 1AZ-FE * 5 : LHD 1ZZ-FE, 3ZZ-FE * 6 : LHD 1CD-FTV
 * 7 : RHD 1AZ-FSE * 8 : RHD 1AZ-FE * 9 : RHD 1ZZ-FE, 3ZZ-FE * 10 : RHD 1CD-FTV

Engine Control (1AZ-FSE)

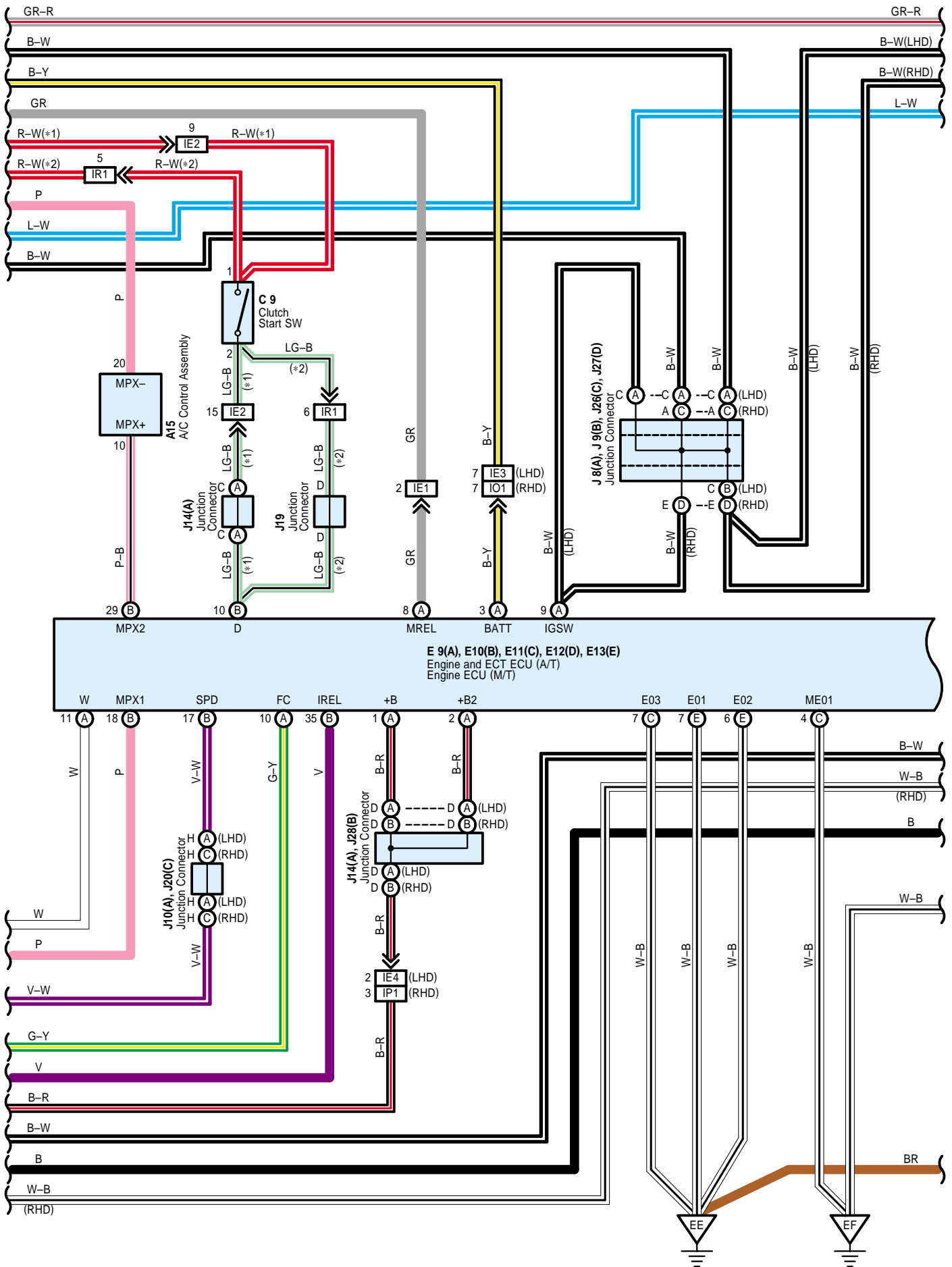
From Power Source System (See Page 120)

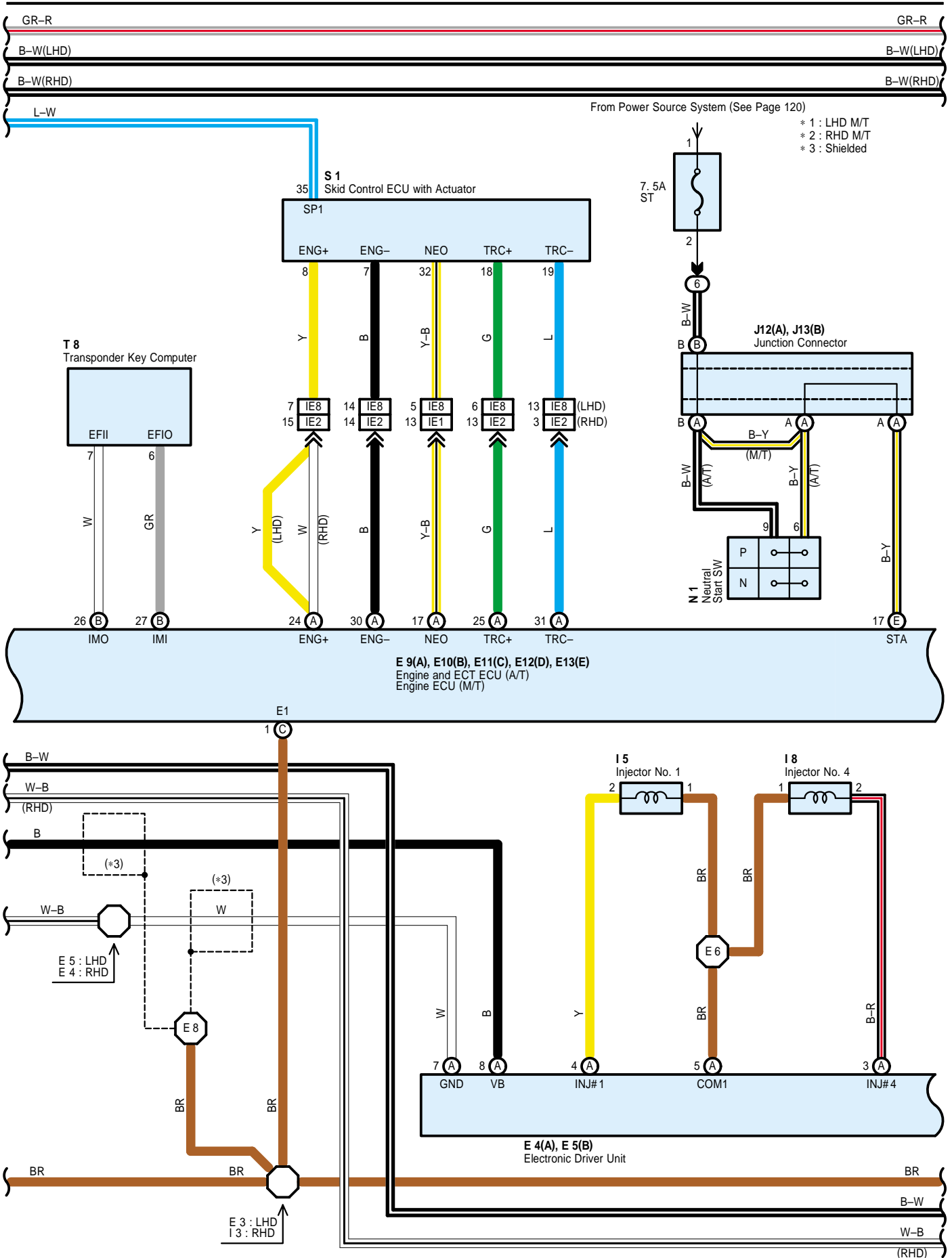


* 1 : LHD M/T
 * 2 : RHD M/T

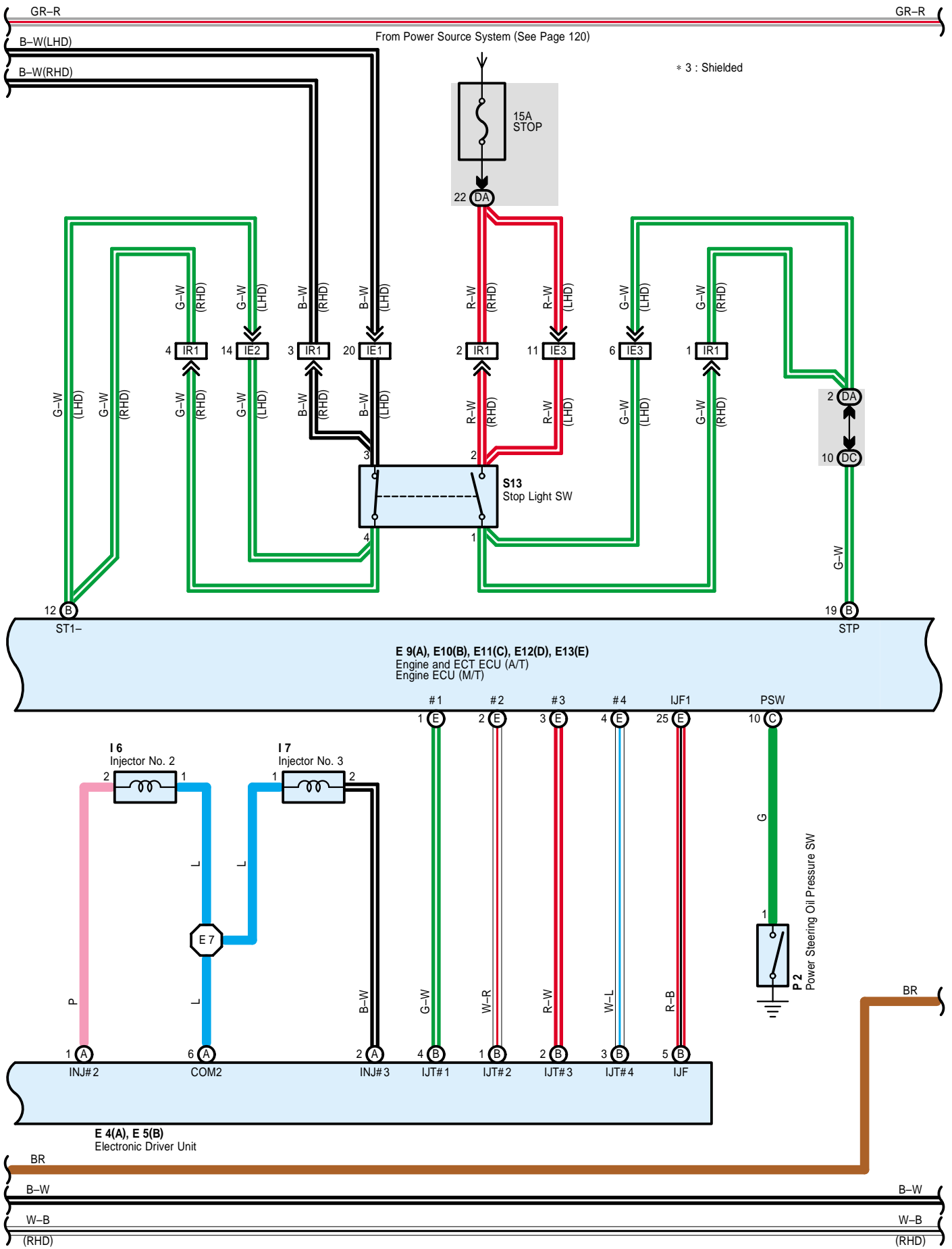


Engine Control (1AZ-FSE)

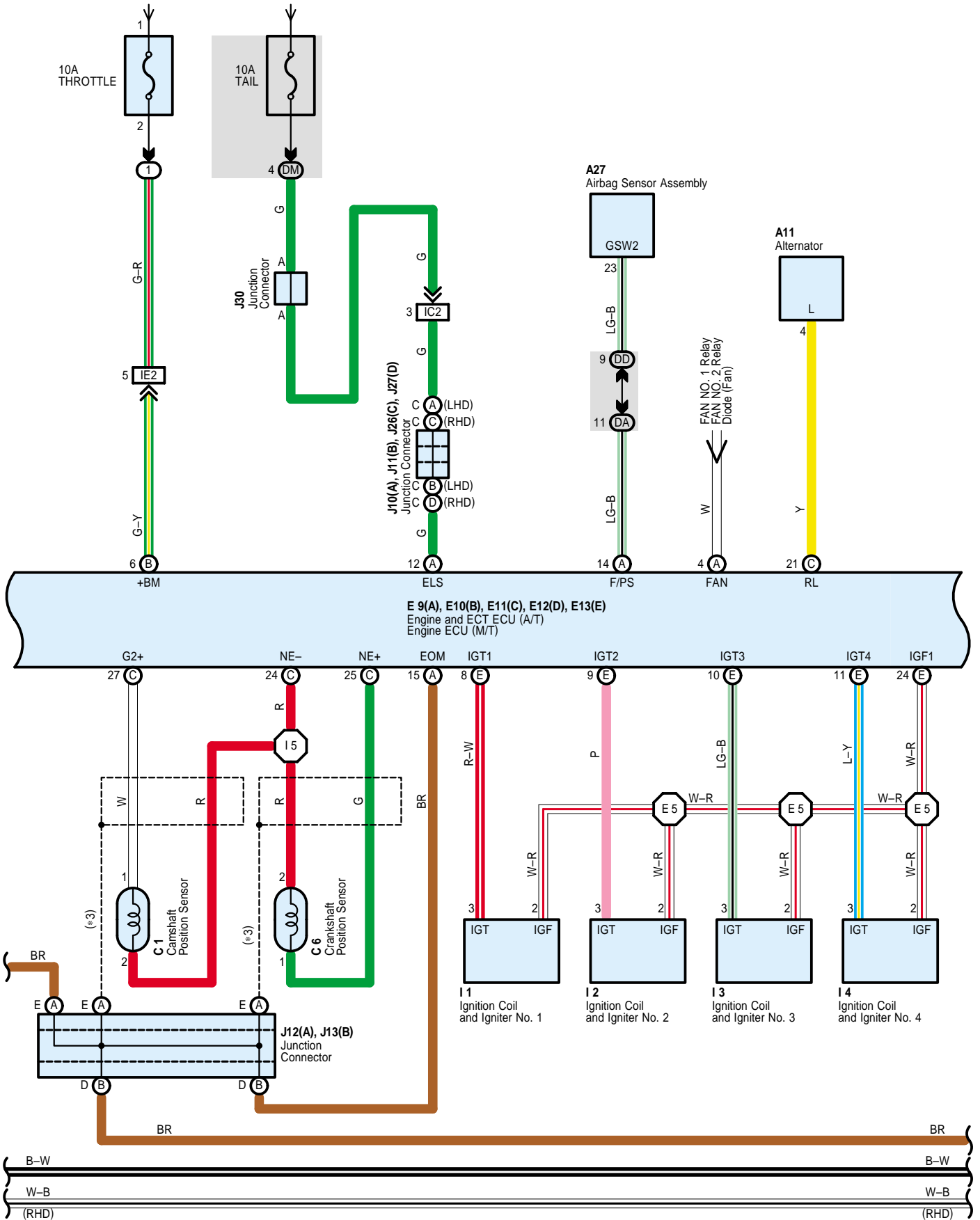




Engine Control (1AZ-FSE)



From Power Source System (See Page 120)

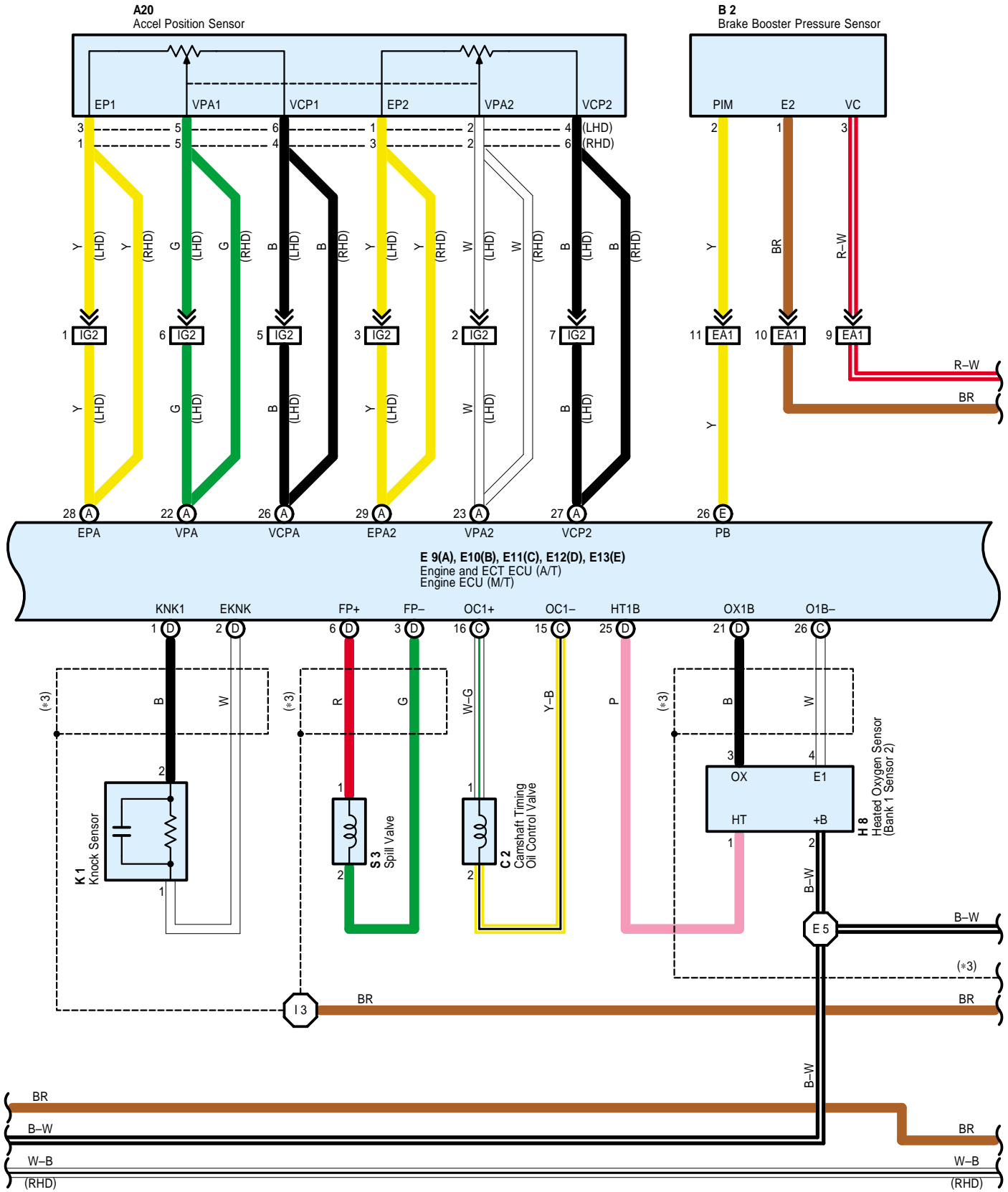


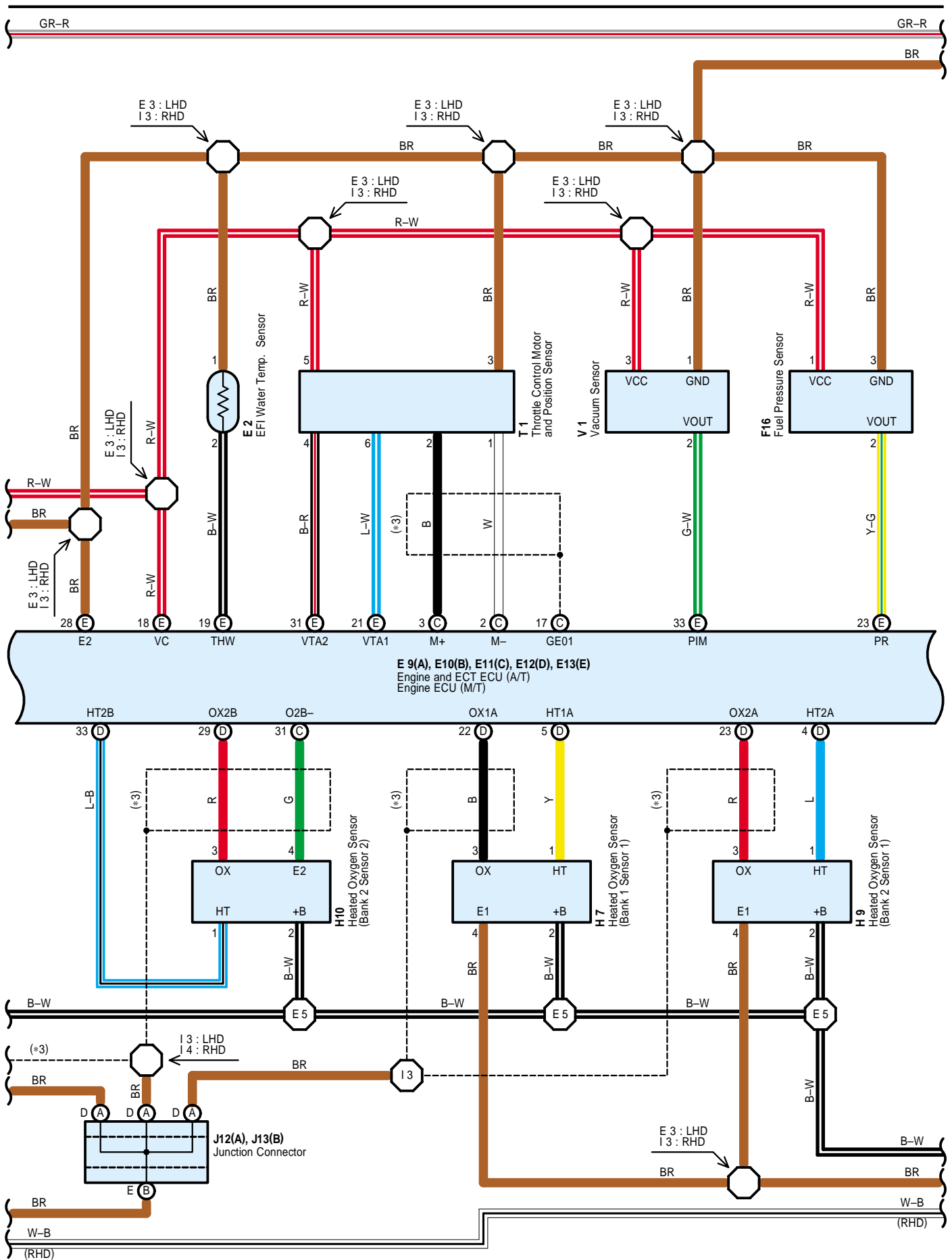
Engine Control (1AZ-FSE)

GR-R

GR-R

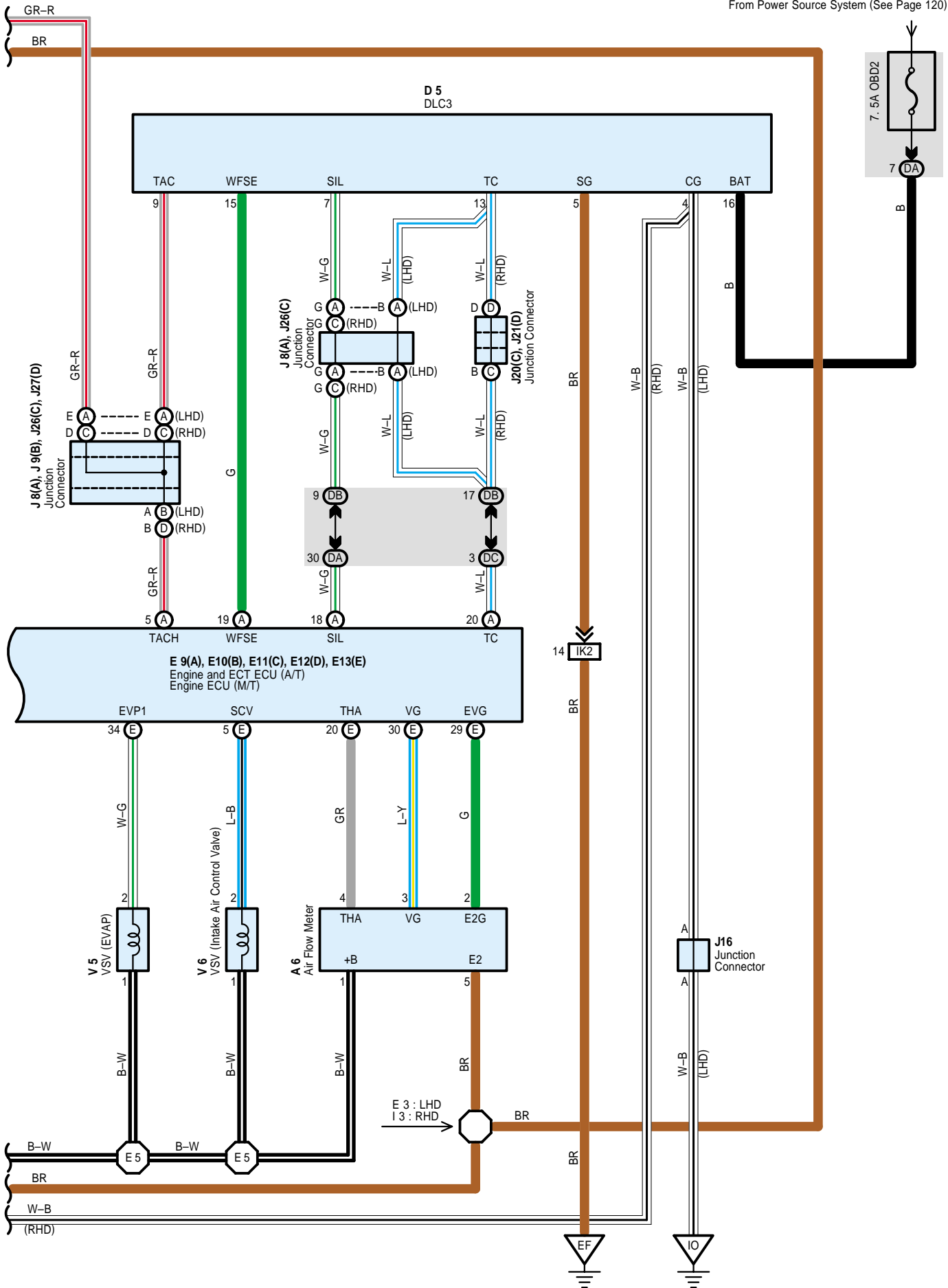
* 3 : Shielded





Engine Control (1AZ-FSE)

From Power Source System (See Page 120)



System Outline

The engine control system utilizes a microcomputer and maintains overall control of the engine, transaxle etc. An outline of the engine control is given here.

1. Input Signals

- (1) Engine coolant temp. signal circuit
The EFI water temp. sensor detects the engine coolant temp. and has a built-in thermistor with a resistance, which varies according to the engine coolant temp.. The engine coolant temp. which is input into TERMINAL THW of the engine and ECT ECU (A/T) or engine ECU (M/T) as a control signal.
- (2) Intake air temp. signal circuit
The intake air temp. sensor is installed in the air flow meter and detects the intake air temp. which is input as a control signal to TERMINAL THA of the engine and ECT ECU (A/T) or engine ECU (M/T).
- (3) Oxygen density signal circuit
The oxygen density in the exhaust emission is detected by the heated oxygen sensor and input as a control signal to TERMINALS OX1A, OX2A, OX1B and OX2B of the engine and ECT ECU (A/T) or engine ECU (M/T).
- (4) RPM signal circuit
Camshaft position and crankshaft position are detected by the camshaft position sensor and crankshaft position sensor. Camshaft position is input as a control signal to TERMINAL G2+ of the engine and ECT ECU (A/T) or engine ECU (M/T), and engine RPM is input into TERMINAL NE+.
- (5) Throttle position signal circuit
The accelerator pedal position sensor detects the accelerator pedal opening angle, which is input as a control signal to TERMINALS VPA and VPA2 of the engine and ECT ECU (A/T) or engine ECU (M/T).
- (6) Vehicle speed circuit
The speed sensor detects the vehicle speed and inputs a control signal to TERMINAL SPD of the engine and ECT ECU (A/T) or engine ECU (M/T).
- (7) Battery signal circuit
Voltage is constantly applied to TERMINAL BATT of the engine and ECT ECU (A/T) or engine ECU (M/T). With the ignition SW turned on, the voltage for engine and ECT ECU (A/T) or engine ECU (M/T) start-up power supply is applied to TERMINALS +B and +B2 of the engine and ECT ECU (A/T) or engine ECU (M/T) via the EFI relay.
- (8) Stop light SW signal circuit
The stop light SW is used to detect whether the vehicle is braking or not and the signal is input into TERMINAL STP of the engine and ECT ECU (A/T) or engine ECU (M/T) as a control signal.
- (9) Starter signal circuit
To confirm whether the engine is cranking, the voltage is applied to the starter motor during cranking is detected and the signal is input into TERMINAL STA of the engine and ECT ECU (A/T) or engine ECU (M/T) as a control signal.
- (10) Engine knock signal circuit
Engine knocking is detected by knock sensor and the signal is input into TERMINAL KNK1 as a control signal.

Engine Control (1AZ-FSE)

2. Control System

* ESA system

The ESA system monitors the engine condition through the signals input to the engine and ECT ECU (A/T) or engine ECU (M/T) from each sensor. The best ignition timing is decided according to this data and the memorized data in the engine and ECT ECU (A/T) or engine ECU (M/T) and the control signal is output to TERMINALS IGT1, IGT2, IGT3, IGT4. This signal controls the igniter to provide the best ignition timing for the driving conditions.

* Heated oxygen sensor heater control system

The heated oxygen sensor heater control system turns the heater on when the intake air volume is low (Temp. of exhaust emissions is low), and warms up the heated oxygen sensor to improve detection performance of the sensor. The engine and ECT ECU (A/T) or engine ECU (M/T) evaluates the signals from each sensor, and outputs current to TERMINALS HT1A, HT2A, HT1B and HT2B to control the heater.

* Fuel pump control system

The engine and ECT ECU (A/T) or engine ECU (M/T) operation outputs to TERMINAL FC and controls the circuit opening relay. Thus controls the fuel pump drive speed in response to conditions.

* VVT-i system

The system controls the position of the spool valve of the oil control valve according to the signals from the engine and ECT ECU (A/T) or engine ECU (M/T). In this manner, the hydraulic pressure to the advance side vane chamber and the retard side vane chamber of the VVT is controlled to vary the intake camshaft phase continuously.

3. Diagnosis System

With the diagnosis system, when there is a malfunction in the engine and ECT ECU (A/T) or engine ECU (M/T) signal system, the malfunctioning system is recorded in the memory. The malfunctioning system can be found by reading the code displayed by the malfunction indicator lamp.

4. Fail-Safe System

When a malfunction has occurred in any system, if there is a possibility of engine trouble being caused by continued control based on the signals from that system, the fail-safe system either controls the system by using data (Standard values) recorded in the engine and ECT ECU (A/T) or engine ECU (M/T) memory or else stops the engine.

Service Hints

E9 (A), E10 (B), E11 (C), E12 (D), E13 (E) Engine and ECT ECU (A/T) or Engine ECU (M/T)

BATT-E1 : Always 9.0–14.0 volts

VC-E2 : 4.5–5.5 volts (Ignition SW at ON position)

VTA1-E2 : 0.3–1.0 volts (Ignition SW on and throttle valve fully closed)
3.2–4.9 volts (Ignition SW on and throttle valve fully open)

VG-EVG : 1.1–1.5 volts (Engine idling and A/C SW off)

THA-E2 : 0.5–3.4 volts (Engine idling and intake air temp. 20°C, 68°F)

THW-E2 : 0.2–1.0 volts (Engine idling and coolant temp. 80°C, 176°F)

IGF1-E1 : 4.5–5.5 volts (Ignition SW at ON position)
Pulse generation (Engine idling)

SIL-E1 : Pulse generation (During transmission)

TACH-E1 : Pulse generation (Engine idling)

STA-E1 : 6.0 volts or more (Engine cranking)

FC-E01 : 9.0–14.0 volts (Ignition SW at ON position)

SPD-E1 : Pulse generation (Ignition SW on and rotate driving wheel slowly)

W-E01 : Below 3.0 volts (Ignition SW at ON position)

EVP1-E01 : 9.0–14.0 volts (Ignition SW at ON position)

STP-E1 : 7.5–14.0 volts (Ignition SW on and brake pedal depressed)
Below 1.5 volts (Ignition SW on and brake pedal released)

KNK1-E1 : Pulse generation (Engine idling)

PSW-E1 : 9.0–14.0 volts (Ignition SW at ON position)

IGSW-E1 : 9.0–14.0 volts (Ignition SW at ON position)

MREL-E1 : 9.0–14.0 volts (Ignition SW at ON position)

G2+, NE+ –NE– : Pulse generation (Engine idling)

OC1+ –OC1– : Pulse generation (Ignition SW at ON position)

IGT1, IGT2, IGT3, IGT4-E1 : Pulse generation (Engine idling)

#1, #2, #3, #4-E01 : 9.0–14.0 volts (Ignition SW at ON position)
Pulse generation (Engine idling)

VPA-EPA : 0.6–1.0 volts (Ignition SW on accelerator pedal fully closed)

VPA2-EPA2 : 1.4–1.8 volts (Ignition SW on accelerator pedal fully closed)

○ : Parts Location

Code	See Page	Code	See Page	Code	See Page		
A6	38 (*3)	E12	D	67 (RHD)	J12	A	48 (LHD)
	58 (*7)	E13	E	47 (LHD)			68 (RHD)
A11	38 (*3)			F16		67 (RHD)	J13
	58 (*7)	38 (*3)	68 (RHD)				
A15	46 (LHD)	F25		58 (*7)	J14	A	48 (LHD)
	66 (RHD)			50 (LHD S/D)			48 (LHD)
A20	46 (LHD)	F25		52 (LHD L/B)	J16		68 (RHD)
	66 (RHD)			54 (LHD W/G)			68 (RHD)
A27	46 (LHD)	F25		70 (RHD S/D)	J20	C	68 (RHD)
	66 (RHD)			72 (RHD L/B)	J21	D	68 (RHD)
B2	38 (*3)	H7		74 (RHD W/G)	J26	C	68 (RHD)
	58 (*7)			38 (*3)	J27	D	68 (RHD)
C1	38 (*3)	H7		58 (*7)	J28	B	68 (RHD)
	58 (*7)			H8	38 (*3)	J30	51 (LHD S/D)
C2	38 (*3)	H8			58 (*7)		53 (LHD L/B)
	58 (*7)			H9	38 (*3)	55 (LHD W/G)	
C6	38 (*3)	H9			58 (*7)	71 (RHD S/D)	
	58 (*7)			H10	38 (*3)	73 (RHD L/B)	
C8	46 (LHD)	H10			58 (*7)	75 (RHD W/G)	
	66 (RHD)			I1	39 (*3)	39 (*3)	
C9	46 (LHD)	I1			59 (*7)	59 (*7)	
	66 (RHD)			I2	39 (*3)	39 (*3)	
C10	46 (LHD)	I2			59 (*7)	N1	59 (*7)
	66 (RHD)			I3	39 (*3)	P2	39 (*3)
C11	46 (LHD)	I3			59 (*7)	S1	39 (*3)
	66 (RHD)			I4	39 (*3)		59 (*7)
D5	47 (LHD)	I4			59 (*7)	S3	39 (*3)
	67 (RHD)			I5	39 (*3)		59 (*7)
E2	38 (*3)	I5			59 (*7)	S13	49 (LHD)
	58 (*7)			I6	39 (*3)		69 (RHD)
E4	38 (*3)	I6			59 (*7)	T1	39 (*3)
	58 (*7)			I7	39 (*3)		59 (*7)
E5	38 (*3)	I7			59 (*7)	T8	49 (LHD)
	58 (*7)			I8	39 (*3)		69 (RHD)
E9	47 (LHD)	I8			59 (*7)	V1	39 (*3)
	67 (RHD)			I14	47 (LHD)		59 (*7)
E10	47 (LHD)	I14			67 (RHD)	V5	39 (*3)
	67 (RHD)			J8	A		48 (LHD)
E11	47 (LHD)	J9	B	48 (LHD)	V6	39 (*3)	
	67 (RHD)	J10	A	48 (LHD)		59 (*7)	
E12	47 (LHD)	J11	B	48 (LHD)			

○ : Relay Blocks

Code	See Page	Relay Blocks (Relay Block Location)
1	24 (*1)	Engine Room R/B No.1 (Engine Compartment Left)
4	27	Engine Room R/B No.4 (Left Side of the Suspension Tower)
6	29	Fuse Block (Lower Finish Panel)

* 1 : Gasoline * 2 : 1CD-FTV * 3 : LHD 1AZ-FSE * 4 : LHD 1AZ-FE * 5 : LHD 1ZZ-FE, 3ZZ-FE * 6 : LHD 1CD-FTV
 * 7 : RHD 1AZ-FSE * 8 : RHD 1AZ-FE * 9 : RHD 1ZZ-FE, 3ZZ-FE * 10 : RHD 1CD-FTV

Engine Control (1AZ-FSE)

: Junction Block and Wire Harness Connector

Code	See Page	Junction Block and Wire Harness (Connector Location)
1A	24 (*1)	Engine Room Main Wire and Engine Room J/B No.1 (Engine Compartment Left)
4A	27	Engine Room Main Wire and Engine Room J/B No.4 (Left Side of the Suspension Tower)
4B		
CA	34	Instrument Panel Wire and Center J/B (Instrument Panel Reinforcement RH)
CB		
CD		
CE		
CK		
DA	30	Instrument Panel Wire and Driver Side J/B (Left Side of the Instrument Panel)
DB		
DC		
DD		
DL	31	Engine Room Main Wire and Driver Side J/B (Left Side of the Instrument Panel)
DM	31	Floor Wire and Driver Side J/B (Left Side of the Instrument Panel)

: Connector Joining Wire Harness and Wire Harness

Code	See Page	Joining Wire Harness and Wire Harness (Connector Location)
EA1	78 (*3)	Engine Wire and Engine Room Main Wire (Left Side of the Suspension Tower)
	98 (*7)	
IB1	86 (LHD)	Engine Room Main Wire and Floor Wire (Near the Driver Side J/B)
	106 (RHD)	
IC1	86 (LHD)	Instrument Panel Wire and Floor Wire (Left Kick Panel)
	106 (RHD)	
IC2	86 (LHD)	
	106 (RHD)	
IC3	86 (LHD)	
	106 (RHD)	
IE1	86 (LHD)	Engine Room Main Wire and Instrument Panel Wire (Behind the Combination Meter)
	106 (RHD)	Engine Room Main Wire and Instrument Panel Wire (Behind the Glove Box)
IE2	86 (LHD)	Engine Room Main Wire and Instrument Panel Wire (Behind the Combination Meter)
	106 (RHD)	Engine Room Main Wire and Instrument Panel Wire (Behind the Glove Box)
IE3	86 (LHD)	Engine Room Main Wire and Instrument Panel Wire (Behind the Combination Meter)
IE4		
IE8		
IG2	88 (LHD)	Instrument Panel Wire and Switch Wire (Instrument Panel Brace LH)
IK2	88 (LHD)	Engine Wire and Instrument Panel Wire (Behind the Glove Box)
	108 (RHD)	
IO1	108 (RHD)	Engine Room Main Wire and Instrument Panel Wire (Left Side of the Instrument Panel)
IP1	108 (RHD)	Engine Room Main Wire and Instrument Panel Wire (Instrument Panel Reinforcement LH)
IR1	108 (RHD)	Instrument Panel Wire and Cowl Wire (Right Side of the Instrument Panel)

* 1 : Gasoline * 2 : 1CD-FTV * 3 : LHD 1AZ-FSE * 4 : LHD 1AZ-FE * 5 : LHD 1ZZ-FE, 3ZZ-FE * 6 : LHD 1CD-FTV
 * 7 : RHD 1AZ-FSE * 8 : RHD 1AZ-FE * 9 : RHD 1ZZ-FE, 3ZZ-FE * 10 : RHD 1CD-FTV

**: Ground Points**

Code	See Page	Ground Points Location
EC	78 (*3)	Engine Compartment Left
	98 (*7)	
EE	78 (*3)	Intake Side of Cylinder Block
	98 (*7)	
EF	78 (*3)	Left Side of the Cylinder Head
	98 (*7)	
IO	86 (LHD)	Instrument Panel Reinforcement RH
IP	86 (LHD)	Right Kick Panel
	106 (RHD)	
BR	90 (LHD S/D)	Under the Left Center Pillar
	92 (LHD L/B)	
	94 (LHD W/G)	
	110 (RHD S/D)	
	112 (RHD L/B)	
	114 (RHD W/G)	

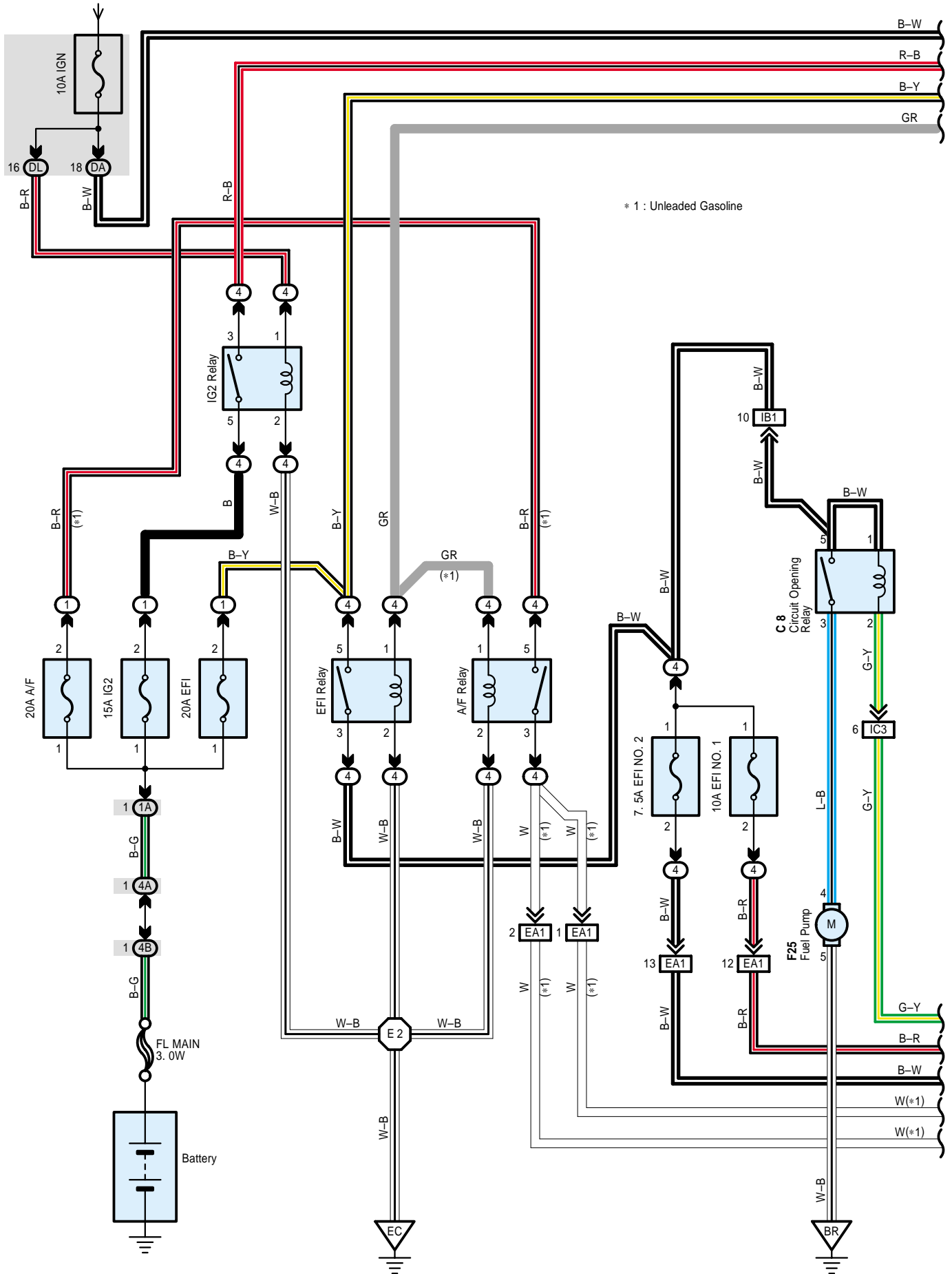
**: Splice Points**

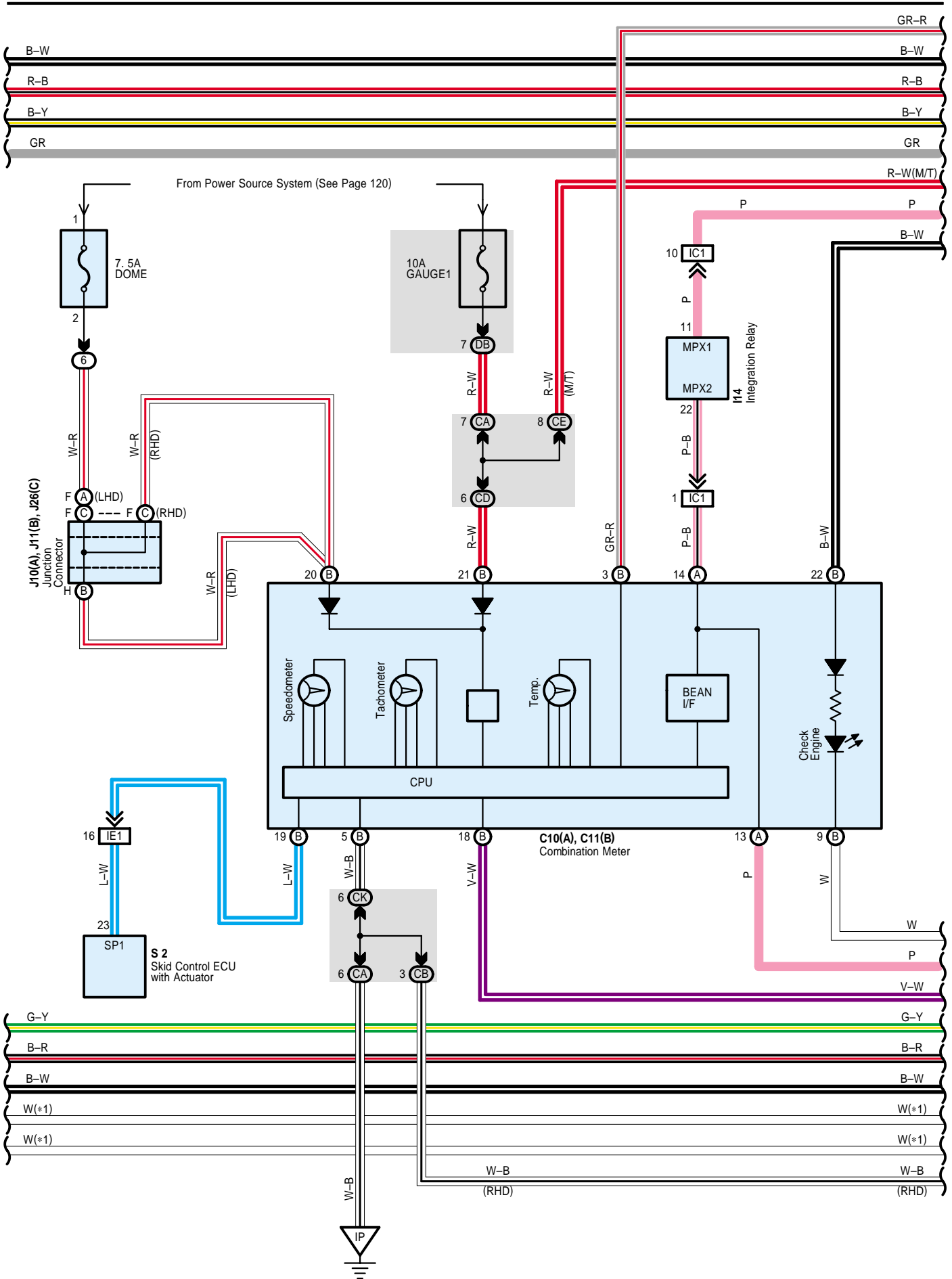
Code	See Page	Wire Harness with Splice Points	Code	See Page	Wire Harness with Splice Points	
E2	78 (*3)	Engine Room Main Wire	E7	78 (*3)	Engine Wire	
	98 (*7)			98 (*7)		
E3	78 (*3)	Engine Wire	E8	78 (*3)		
E4	98 (*7)			98 (*7)		
E5	78 (*3)		I3	I4		108 (RHD)
	98 (*7)					
E6	78 (*3)		I5	88 (LHD)		
	98 (*7)			108 (RHD)		

* 1 : Gasoline * 2 : 1CD-FTV * 3 : LHD 1AZ-FSE * 4 : LHD 1AZ-FE * 5 : LHD 1ZZ-FE, 3ZZ-FE * 6 : LHD 1CD-FTV
 * 7 : RHD 1AZ-FSE * 8 : RHD 1AZ-FE * 9 : RHD 1ZZ-FE, 3ZZ-FE * 10 : RHD 1CD-FTV

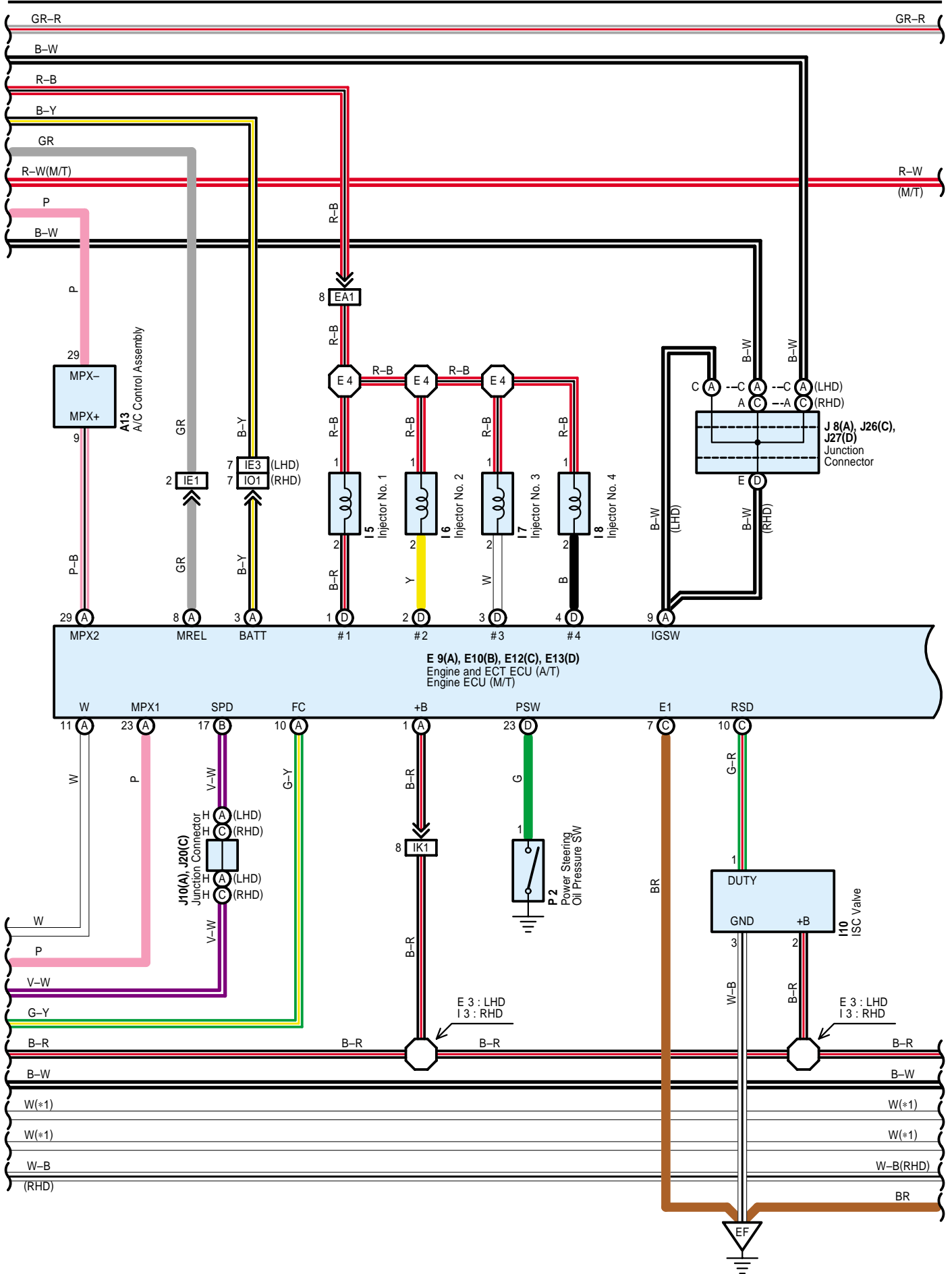
Engine Control (1AZ-FE)

From Power Source System (See Page 120)



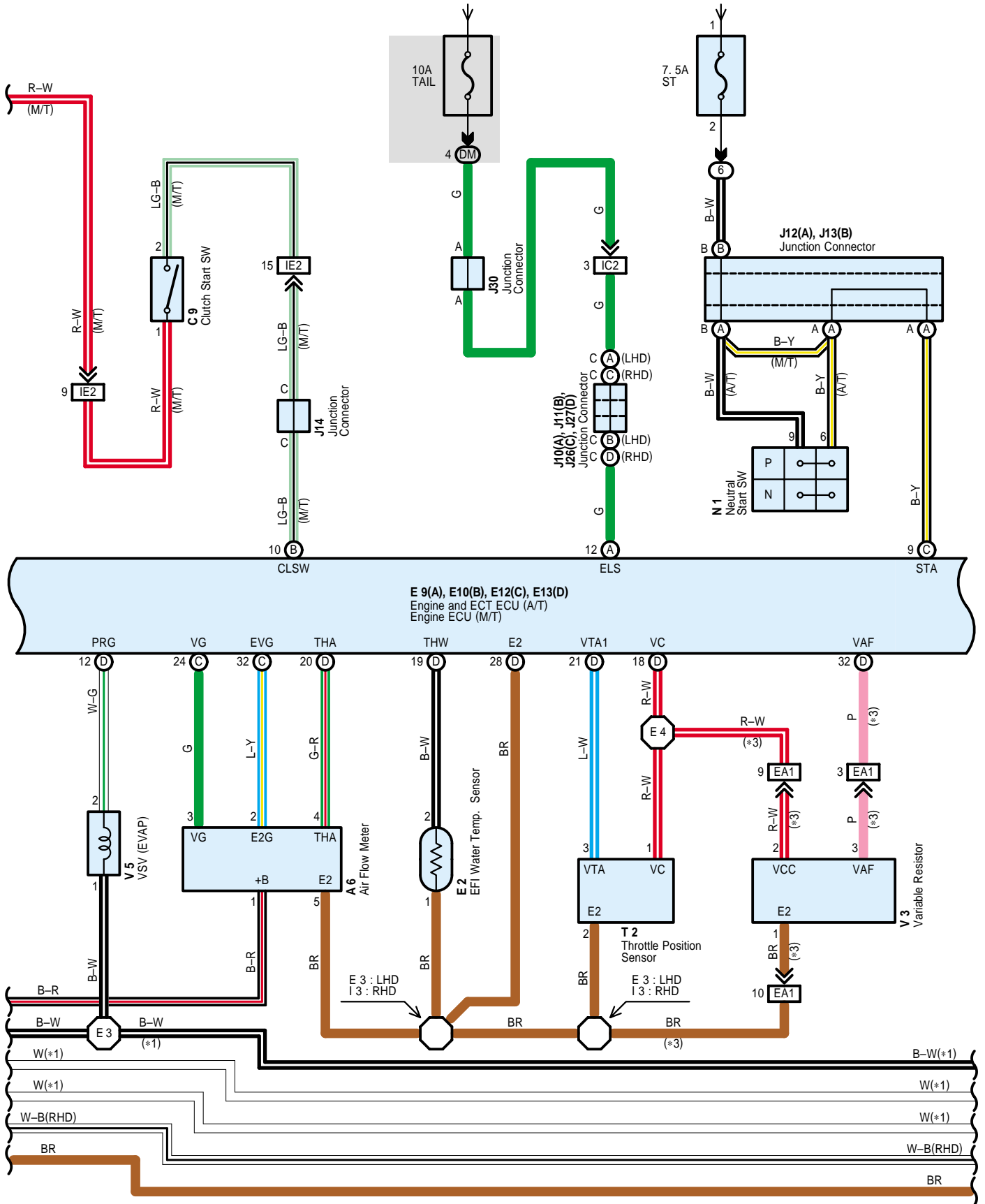


Engine Control (1AZ-FE)



- * 1 : Unleaded Gasoline
- * 3 : Leaded Gasoline

From Power Source System (See Page 120)



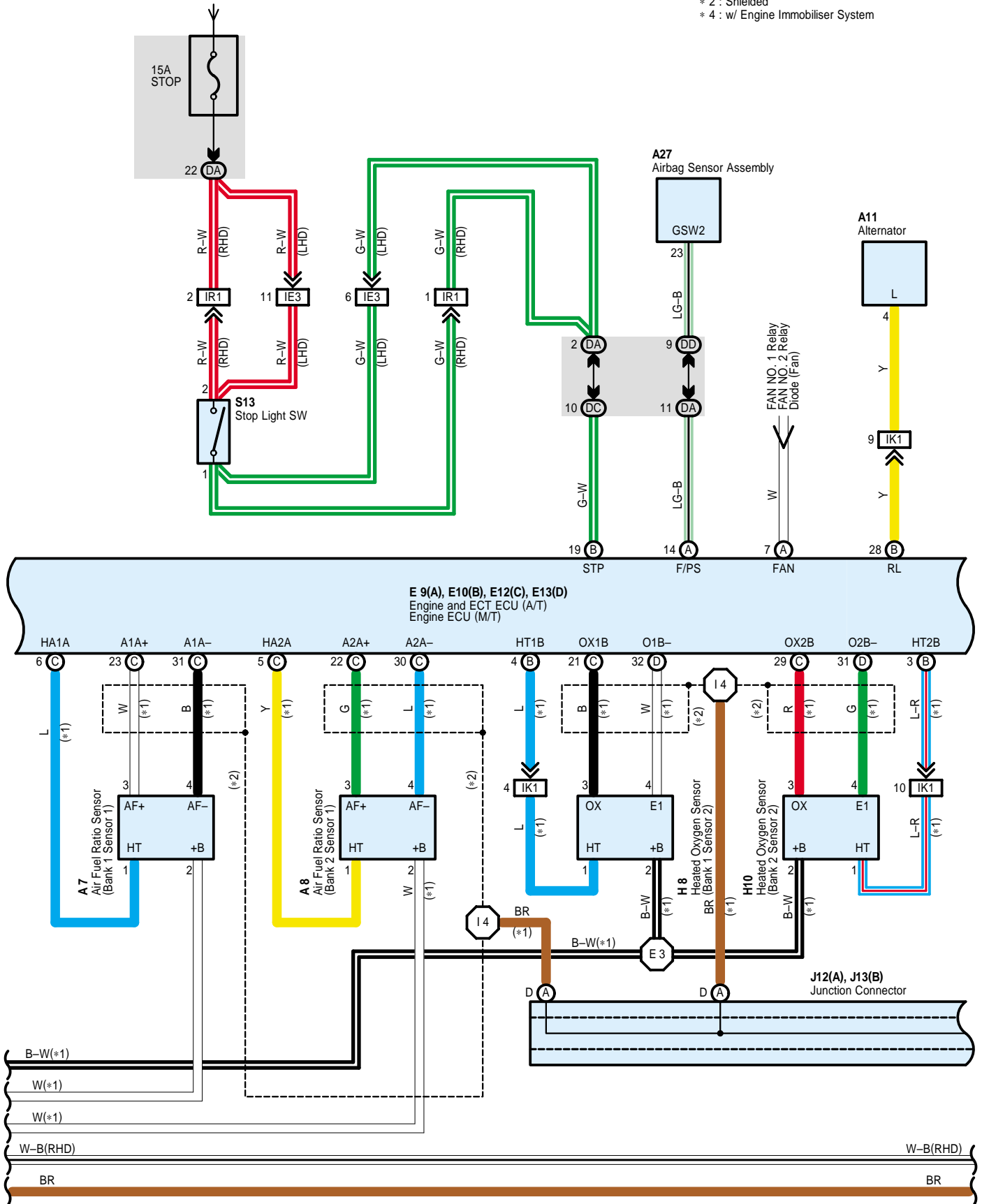
Engine Control (1AZ-FE)

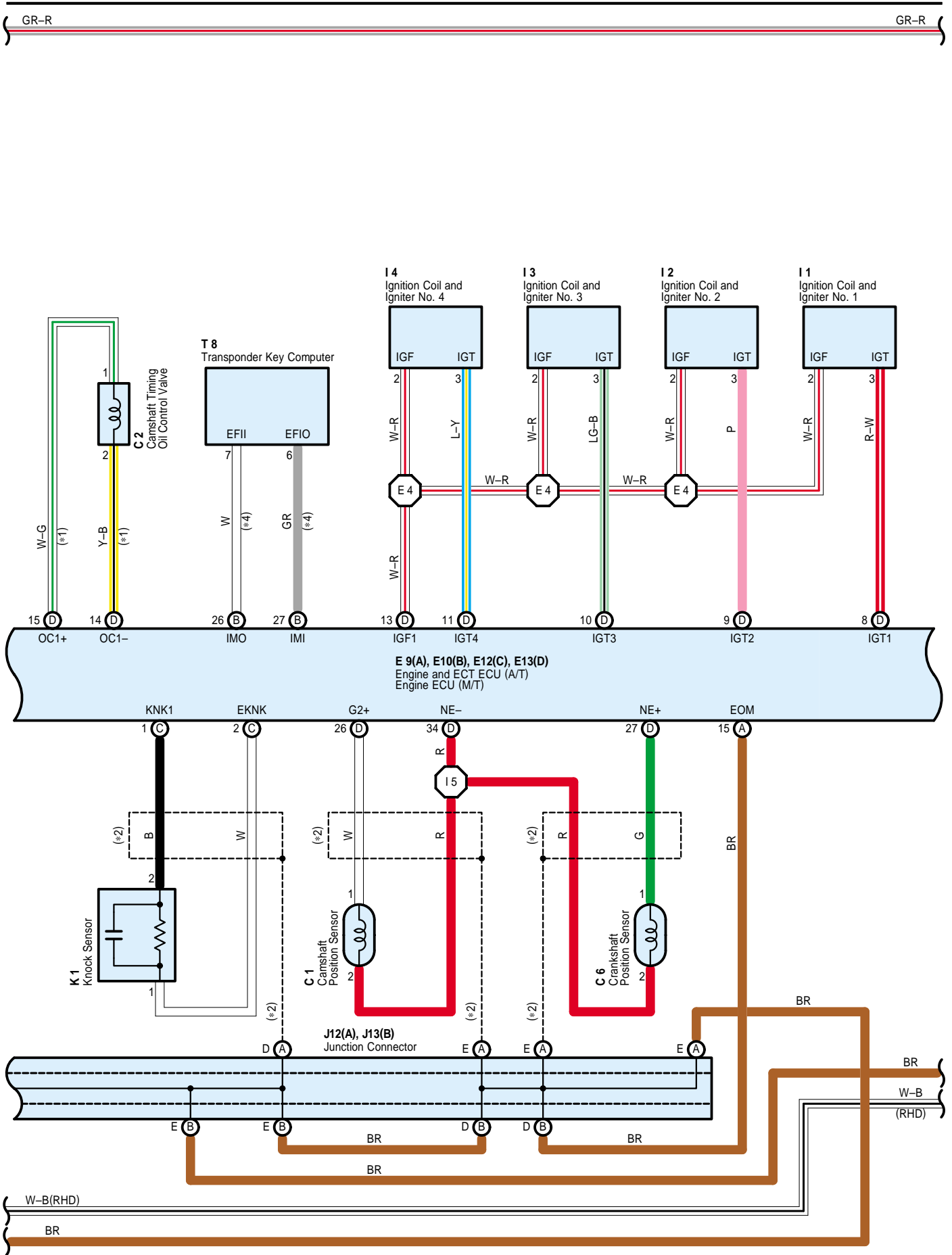
GR-R

GR-R

From Power Source System (See Page 120)

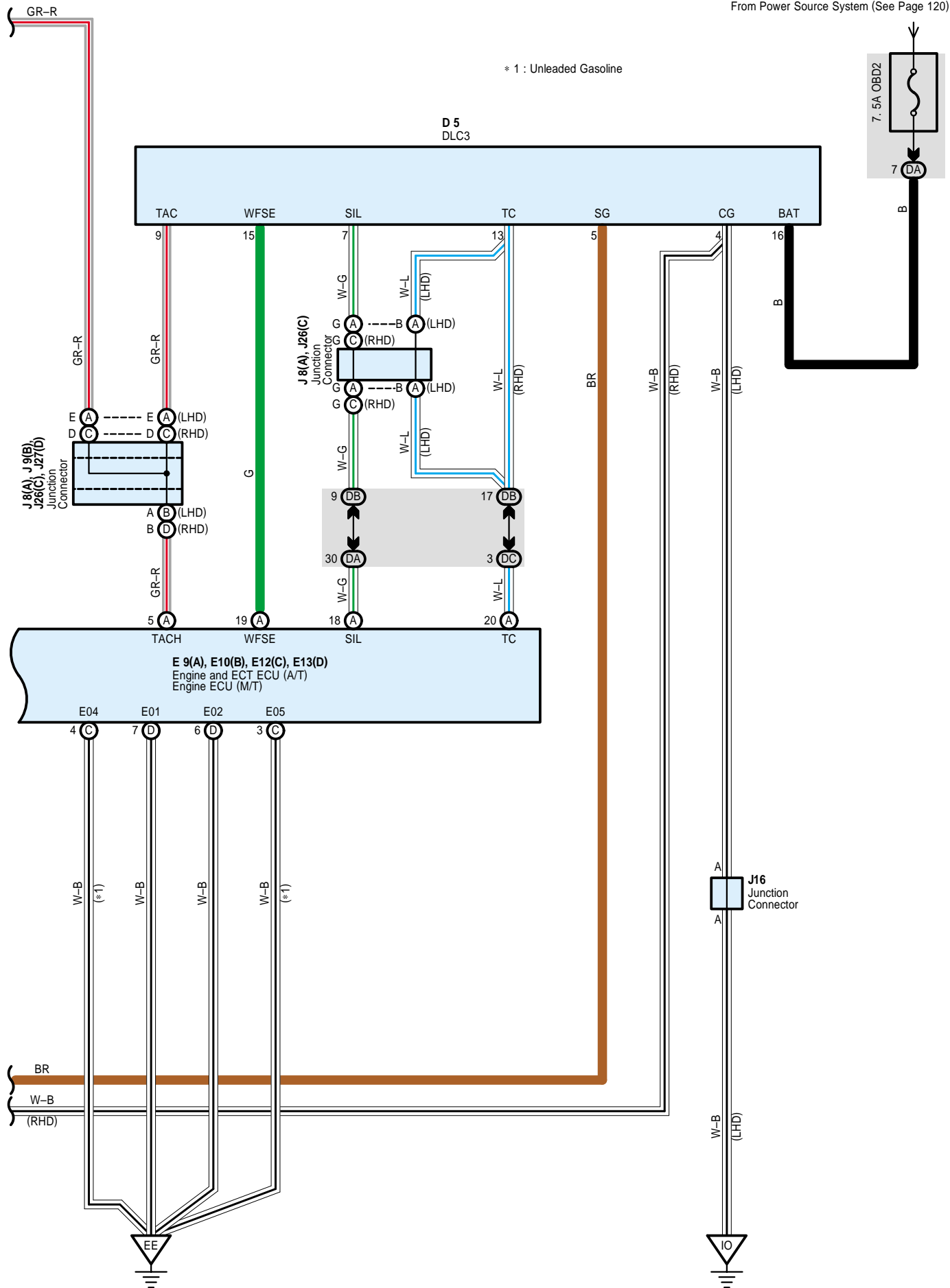
- * 1 : Unleaded Gasoline
- * 2 : Shielded
- * 4 : w/ Engine Immobiliser System





Engine Control (1AZ-FE)

From Power Source System (See Page 120)



System Outline

The engine control system utilizes a microcomputer and maintains overall control of the engine, transaxle etc. An outline of the engine control is given here.

1. Input Signals

- (1) Engine coolant temp. signal circuit
The EFI water temp. sensor detects the engine coolant temp. and has a built-in thermistor with a resistance, which varies according to the engine coolant temp.. The engine coolant temp. which is input into TERMINAL THW of the engine and ECT ECU (A/T) or engine ECU (M/T) as a control signal.
- (2) Intake air temp. signal circuit
The intake air temp. sensor is installed in the air flow meter and detects the intake air temp. which is input as a control signal to TERMINAL THA of the engine and ECT ECU (A/T) or engine ECU (M/T).
- (3) Oxygen density signal circuit (Unleaded gasoline)
The oxygen density in the exhaust emission is detected by the heated oxygen sensor and input as a control signal to TERMINALS OX1B and OX2B of the engine and ECT ECU (A/T) or engine ECU (M/T).
- (4) RPM signal circuit
Camshaft position and crankshaft position are detected by the camshaft position sensor and crankshaft position sensor. Camshaft position is input as a control signal to TERMINAL G2+ of the engine and ECT ECU (A/T) or engine ECU (M/T), and engine RPM is input into TERMINAL NE+.
- (5) Throttle position signal circuit
The throttle position sensor detects the throttle valve opening angle as a control signal, which is input into TERMINAL VTA1 of the engine and ECT ECU (A/T) or engine ECU (M/T).
- (6) Vehicle speed circuit
The speed sensor detects the vehicle speed and inputs a control signal to TERMINAL SPD of the engine and ECT ECU (A/T) or engine ECU (M/T).
- (7) Battery signal circuit
Voltage is constantly applied to TERMINAL BATT of the engine and ECT ECU (A/T) or engine ECU (M/T). With the ignition SW turned on, the voltage for engine and ECT ECU (A/T) or engine ECU (M/T) start-up power supply is applied to TERMINAL +B of the engine and ECT ECU (A/T) or engine ECU (M/T) via the EFI relay.
- (8) Stop light SW signal circuit
The stop light SW is used to detect whether the vehicle is braking or not and the signal is input into TERMINAL STP of the engine and ECT ECU (A/T) or engine ECU (M/T) as a control signal.
- (9) Starter signal circuit
To confirm whether the engine is cranking, the voltage is applied to the starter motor during cranking is detected and the signal is input into TERMINAL STA of the engine and ECT ECU (A/T) or engine ECU (M/T) as a control signal.
- (10) Engine knock signal circuit
Engine knocking is detected by knock sensor and the signal is input into TERMINAL KNK1 as a control signal.
- (11) Air fuel ratio signal system (Unleaded gasoline)
The air fuel ratio is detected and input as a control signal into TERMINALS A1A+ and A2A+ of the engine and ECT ECU (A/T) or engine ECU (M/T).

2. Control System

* EFI system

The EFI system monitors the engine condition through the signals input from each sensor to the engine and ECT ECU (A/T) or engine ECU (M/T). And the control signal is output to TERMINALS #1, #2, #3, #4 of the engine and ECT ECU (A/T) or engine ECU (M/T) to operate the injector (Inject the fuel). The EFI system controls the fuel injection operation by the engine and ECT ECU (A/T) or engine ECU (M/T) in response to the driving conditions.

* ESA system

The ESA system monitors the engine condition through the signals input to the engine and ECT ECU (A/T) or engine ECU (M/T) from each sensor. The best ignition timing is decided according to this data and the memorized data in the engine and ECT ECU (A/T) or engine ECU (M/T) and the control signal is output to TERMINALS IGT1, IGT2, IGT3, IGT4. This signal controls the igniter to provide the best ignition timing for the driving conditions.

* Heated oxygen sensor heater control system (Unleaded gasoline)

The heated oxygen sensor heater control system turns the heater on when the intake air volume is low (Temp. of exhaust emissions is low), and warms up the heated oxygen sensor to improve detection performance of the sensor. The engine and ECT ECU (A/T) or engine ECU (M/T) evaluates the signals from each sensor, and outputs current to TERMINALS HT1B and HT2B to control the heater.

* ISC system

The ISC system (Rotary solenoid type) increases the RPM and provides idling stability for fast idle-up when the engine is cold and when the idle speed has dropped due to electrical load, etc. The engine and ECT ECU (A/T) or engine ECU (M/T) evaluates the signals from each sensor, outputs current to TERMINAL RSD, and controls the ISC valve.

* Fuel pump control system

The engine and ECT ECU (A/T) or engine ECU (M/T) operation outputs to TERMINAL FC and controls the circuit opening relay. Thus controls the fuel pump drive speed in response to conditions.

* VVT-i system

The system controls the position of the spool valve of the oil control valve according to the signals from the engine and ECT ECU (A/T) or engine ECU (M/T). In this manner, the hydraulic pressure to the advance side vane chamber and the retard side vane chamber of the VVT is controlled to vary the intake camshaft phase continuously.

3. Diagnosis System

With the diagnosis system, when there is a malfunction in the engine and ECT ECU (A/T) or engine ECU (M/T) signal system, the malfunctioning system is recorded in the memory. The malfunctioning system can be found by reading the code displayed by the malfunction indicator lamp.

4. Fail-Safe System

When a malfunction has occurred in any system, if there is a possibility of engine trouble being caused by continued control based on the signals from that system, the fail-safe system either controls the system by using data (Standard values) recorded in the engine and ECT ECU (A/T) or engine ECU (M/T) memory or else stops the engine.

Service Hints

E9 (A), E10 (B), E12 (C), E13 (D) Engine and ECT ECU (A/T) or Engine ECU (M/T)

- BATT-E1 : Always 9.0–14.0 volts
- VC-E2 : 4.5–5.5 volts (Ignition SW at ON position)
- VTA1-E2 : 0.3–1.0 volts (Ignition SW on and throttle valve fully closed)
3.2–4.9 volts (Ignition SW on and throttle valve fully open)
- VG-EVG : 1.1–1.5 volts (Engine idling and A/C SW off)
- THA-E2 : 0.5–3.4 volts (Engine idling and intake air temp. 20°C, 68°F)
- THW-E2 : 0.2–1.0 volts (Engine idling and coolant temp. 80°C, 176°F)
- IGF1-E1 : 4.5–5.5 volts (Ignition SW at ON position)
Pulse generation (Engine idling)
- SIL-E1 : Pulse generation (During transmission)
- TACH-E1 : Pulse generation (Engine idling)
- STA-E1 : 6.0 volts or more (Engine cranking)
- FC-E01 : 9.0–14.0 volts (Ignition SW at ON position)
- SPD-E1 : Pulse generation (Ignition SW on and rotate driving wheel slowly)
- W-E01 : Below 3.0 volts (Ignition SW at ON position)
- PRG-E01 : 9.0–14.0 volts (Ignition SW at ON position)
- STP-E1 : 7.5–14.0 volts (Ignition SW on and brake pedal depressed)
Below 1.5 volts (Ignition SW on and brake pedal released)
- KNK1-E1 : Pulse generation (Engine idling)
- PSW-E1 : 9.0–14.0 volts (Ignition SW at ON position)
- HA1A-E04 : Below 3.0 volts (Engine idling)
- IGSW-E1 : 9.0–14.0 volts (Ignition SW at ON position)
- MREL-E1 : 9.0–14.0 volts (Ignition SW at ON position)
- G2+, NE+ –NE- : Pulse generation (Engine idling)
 - OC1+ –OC1- : Pulse generation (Ignition SW at ON position)
- HT1B-E1 : 9.0–14.0 volts (Engine idling)
Below 3.0 volts (Ignition SW at ON position)
- A1A+ –E1 : 3.3 volts (Ignition SW at ON position)
- A1A- –E1 : 3.0 volts (Ignition SW at ON position)
- OX1B-E1 : Pulse generation (Maintain engine speed at 2500 rpm for 90 sec. after warming up)
- IGT1, IGT2, IGT3, IGT4-E1 : Pulse generation (Engine idling)
 - #1, #2, #3, #4-E01 : 9.0–14.0 volts (Ignition SW at ON position)
Pulse generation (Engine idling)

Engine Control (1AZ-FE)

○ : Parts Location

Code	See Page	Code	See Page	Code	See Page		
A6	40 (*4)	E12	C	67 (RHD)	J12	A	48 (LHD)
	60 (*8)	E13	D	47 (LHD)			68 (RHD)
A7	40 (*4)			F25		67 (RHD)	J13
A8	40 (*4)	50 (LHD S/D)	68 (RHD)				
A11	40 (*4)	54 (LHD W/G)	J14			48 (LHD)	
	60 (*8)	70 (RHD S/D)				J16	68 (RHD)
A13	46 (LHD)	H8	40 (*4)	J20	C		
	66 (RHD)	H10	40 (*4)				
A27	46 (LHD)	I1	41 (*4)	J26	C	68 (RHD)	
	66 (RHD)		61 (*8)	J27	D	68 (RHD)	
C1	40 (*4)	I2	41 (*4)	J30			51 (LHD S/D)
	60 (*8)		61 (*8)				55 (LHD W/G)
C2	40 (*4)	I3	41 (*4)				71 (RHD S/D)
C6	40 (*4)		61 (*8)				K1
	60 (*8)	41 (*4)	61 (*8)				
C8	46 (LHD)	I4	61 (*8)	N1			41 (*4)
	66 (RHD)		41 (*4)				61 (*8)
C9	46 (LHD)	I5	61 (*8)	P2			41 (*4)
	66 (RHD)		41 (*4)				61 (*8)
C10	A	I6	61 (*8)	S2			41 (*4)
			46 (LHD)				61 (*8)
C11	B	I7	41 (*4)	S13			49 (LHD)
			66 (RHD)				61 (*8)
D5		I8	41 (*4)	T2			41 (*4)
			67 (RHD)				61 (*8)
E2		I10	41 (*4)	T8			49 (LHD)
			40 (*4)				61 (*8)
E9	A	I14	47 (LHD)	V3			41 (*4)
			67 (RHD)				48 (LHD)
E10	B	J8	A	V5			41 (*4)
		J9	B				48 (LHD)
E12	C	J10	A				48 (LHD)
		J11	B				48 (LHD)

○ : Relay Blocks

Code	See Page	Relay Blocks (Relay Block Location)
1	24 (*1)	Engine Room R/B No.1 (Engine Compartment Left)
4	27	Engine Room R/B No.4 (Left Side of the Suspension Tower)
6	29	Fuse Block (Lower Finish Panel)

* 1 : Gasoline * 2 : 1CD-FTV * 3 : LHD 1AZ-FSE * 4 : LHD 1AZ-FE * 5 : LHD 1ZZ-FE, 3ZZ-FE * 6 : LHD 1CD-FTV
 * 7 : RHD 1AZ-FSE * 8 : RHD 1AZ-FE * 9 : RHD 1ZZ-FE, 3ZZ-FE * 10 : RHD 1CD-FTV

○ : Junction Block and Wire Harness Connector

Code	See Page	Junction Block and Wire Harness (Connector Location)
1A	24 (*1)	Engine Room Main Wire and Engine Room J/B No.1 (Engine Compartment Left)
4A	27	Engine Room Main Wire and Engine Room J/B No.4 (Left Side of the Suspension Tower)
4B		
CA	34	Instrument Panel Wire and Center J/B (Instrument Panel Reinforcement RH)
CB		
CD		
CE		
CK	35	
DA	30	Instrument Panel Wire and Driver Side J/B (Left Side of the Instrument Panel)
DB		
DC		
DD		
DL	31	Engine Room Main Wire and Driver Side J/B (Left Side of the Instrument Panel)
DM	31	Floor Wire and Driver Side J/B (Left Side of the Instrument Panel)

□ : Connector Joining Wire Harness and Wire Harness

Code	See Page	Joining Wire Harness and Wire Harness (Connector Location)
EA1	80 (*4)	Engine Wire and Engine Room Main Wire (Left Side of the Suspension Tower)
	100 (*8)	
IB1	86 (LHD)	Engine Room Main Wire and Floor Wire (Near the Driver Side J/B)
	106 (RHD)	
IC1	86 (LHD)	Instrument Panel Wire and Floor Wire (Left Kick Panel)
	106 (RHD)	
IC2	86 (LHD)	
	106 (RHD)	
IC3	86 (LHD)	
	106 (RHD)	
IE1	86 (LHD)	Engine Room Main Wire and Instrument Panel Wire (Behind the Combination Meter)
	106 (RHD)	Engine Room Main Wire and Instrument Panel Wire (Behind the Glove Box)
IE2	106 (RHD)	Engine Room Main Wire and Instrument Panel Wire (Behind the Glove Box)
IE3	86 (LHD)	Engine Room Main Wire and Instrument Panel Wire (Behind the Combination Meter)
IK1	88 (LHD)	Engine Wire and Instrument Panel Wire (Behind the Glove Box)
	108 (RHD)	
IO1	108 (RHD)	Engine Room Main Wire and Instrument Panel Wire (Left Side of the Instrument Panel)
IR1	108 (RHD)	Instrument Panel Wire and Cowl Wire (Right Side of the Instrument Panel)

* 1 : Gasoline * 2 : 1CD-FTV * 3 : LHD 1AZ-FSE * 4 : LHD 1AZ-FE * 5 : LHD 1ZZ-FE, 3ZZ-FE * 6 : LHD 1CD-FTV
 * 7 : RHD 1AZ-FSE * 8 : RHD 1AZ-FE * 9 : RHD 1ZZ-FE, 3ZZ-FE * 10 : RHD 1CD-FTV

Engine Control (1AZ-FE)

: Ground Points

Code	See Page	Ground Points Location
EC	80 (*4)	Engine Compartment Left
	100 (*8)	
EE	80 (*4)	Intake Side of Cylinder Block
	100 (*8)	
EF	80 (*4)	Left Side of the Cylinder Head
	100 (*8)	
IO	86 (LHD)	Instrument Panel Reinforcement RH
IP	86 (LHD)	Right Kick Panel
	106 (RHD)	
BR	90 (LHD S/D)	Under the Left Center Pillar
	94 (LHD W/G)	
	110 (RHD S/D)	

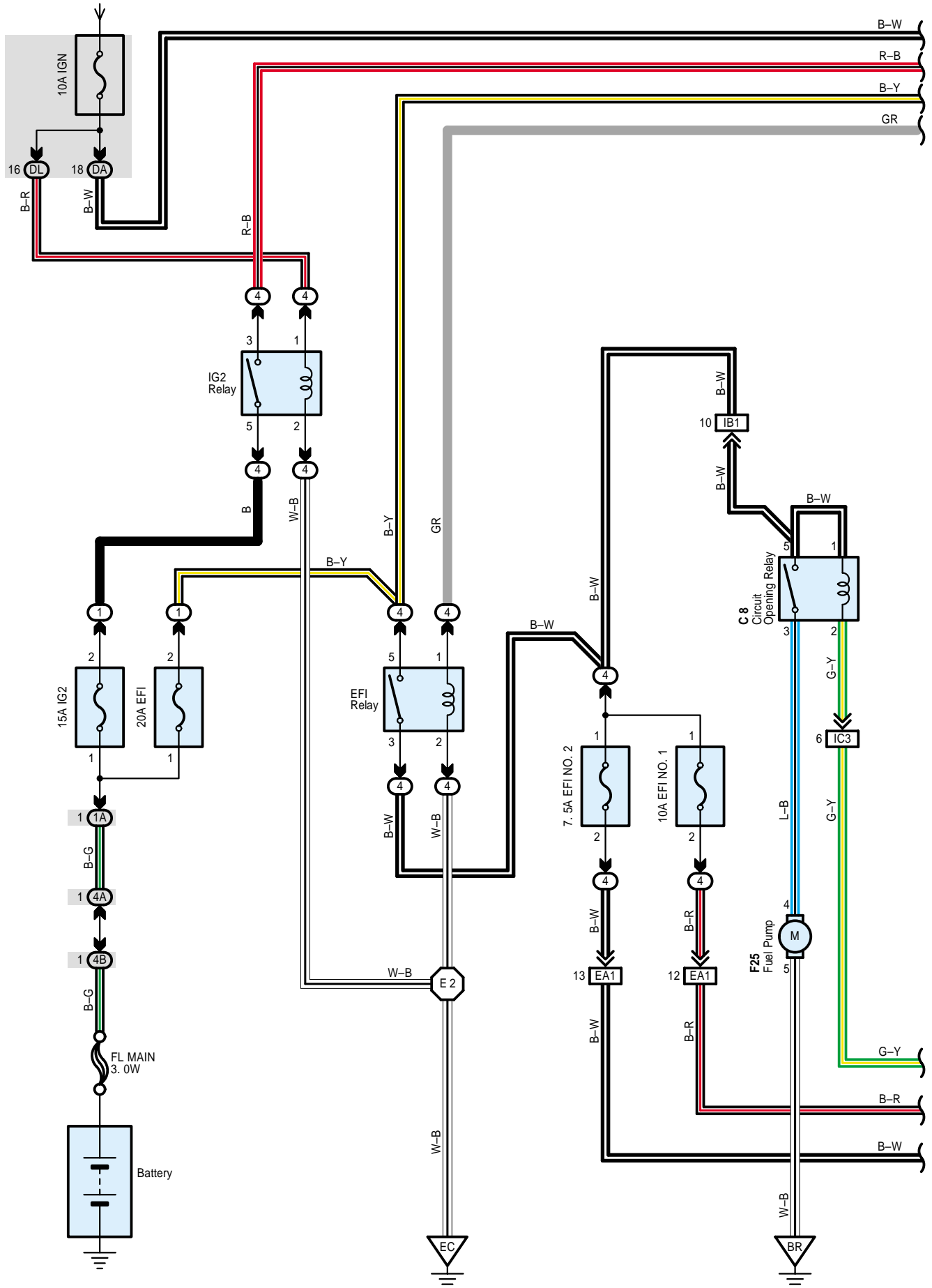
: Splice Points

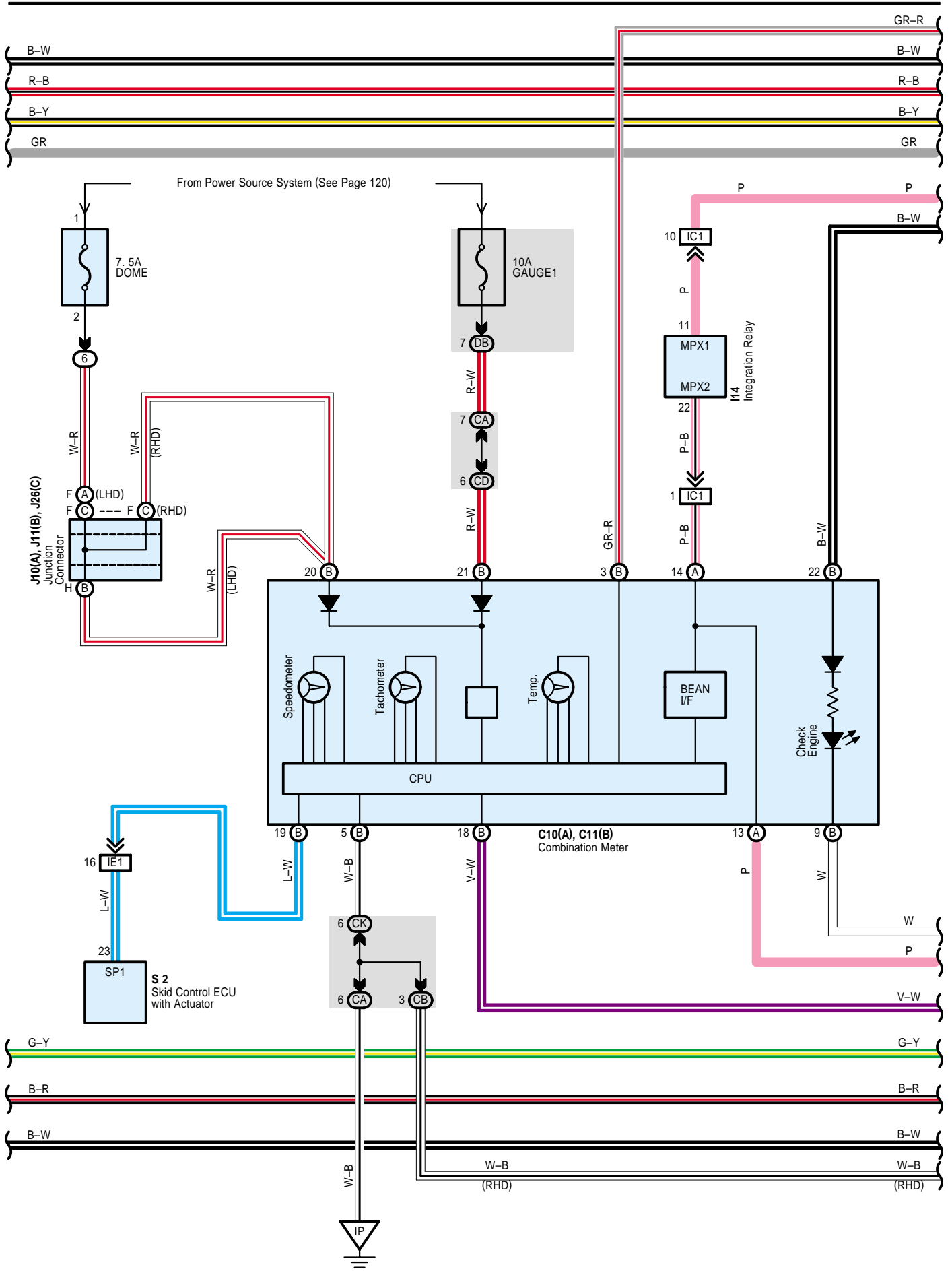
Code	See Page	Wire Harness with Splice Points	Code	See Page	Wire Harness with Splice Points
E2	80 (*4)	Engine Room Main Wire	E4	100 (*8)	Engine Wire
	100 (*8)		I3	108 (RHD)	
E3	80 (*4)	Engine Wire	I4	88 (LHD)	
	100 (*8)		I5	88 (LHD)	
E4	80 (*4)			108 (RHD)	

* 1 : Gasoline * 2 : 1CD-FTV * 3 : LHD 1AZ-FSE * 4 : LHD 1AZ-FE * 5 : LHD 1ZZ-FE, 3ZZ-FE * 6 : LHD 1CD-FTV
 * 7 : RHD 1AZ-FSE * 8 : RHD 1AZ-FE * 9 : RHD 1ZZ-FE, 3ZZ-FE * 10 : RHD 1CD-FTV

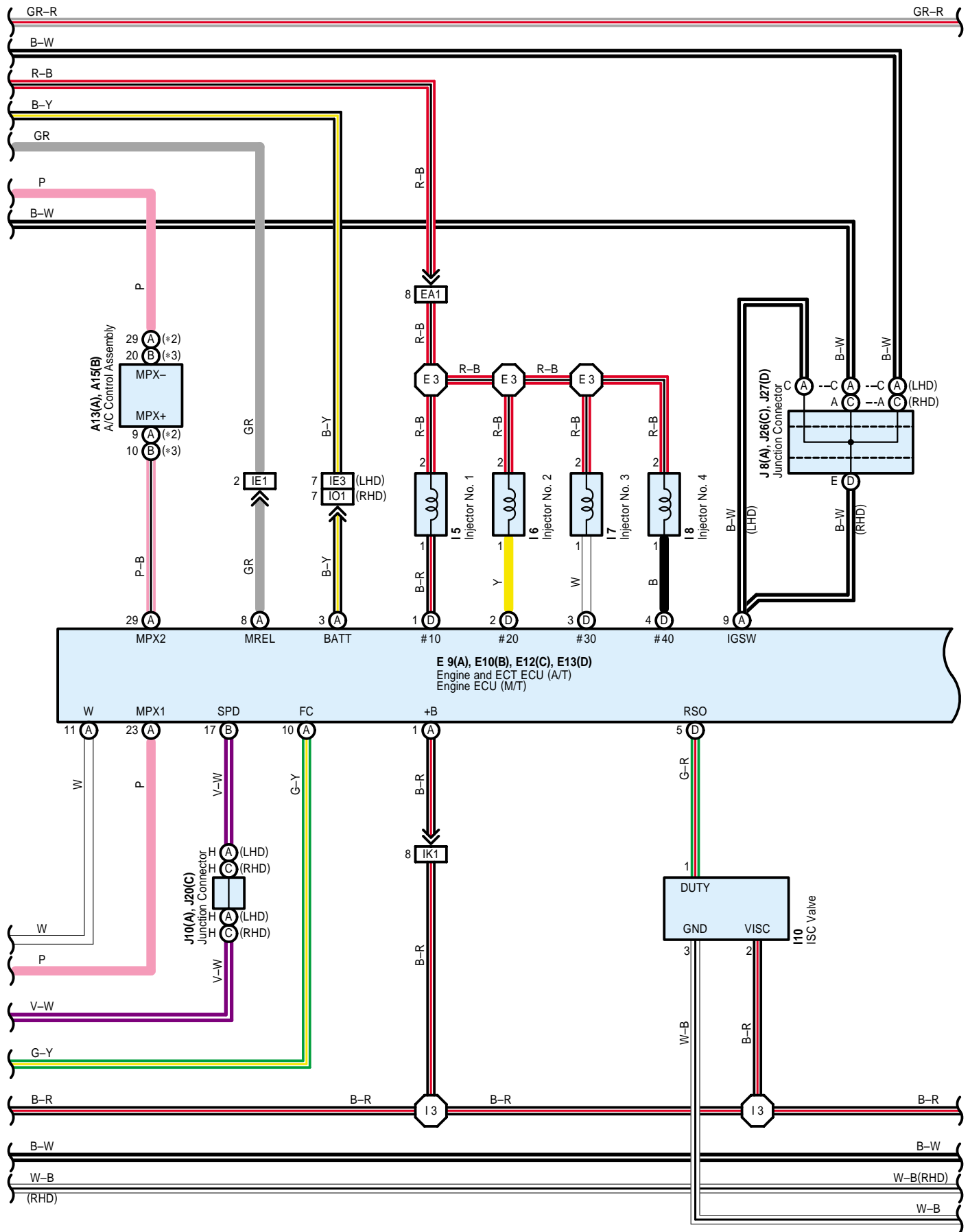
Engine Control (1ZZ-FE, 3ZZ-FE)

From Power Source System (See Page 120)



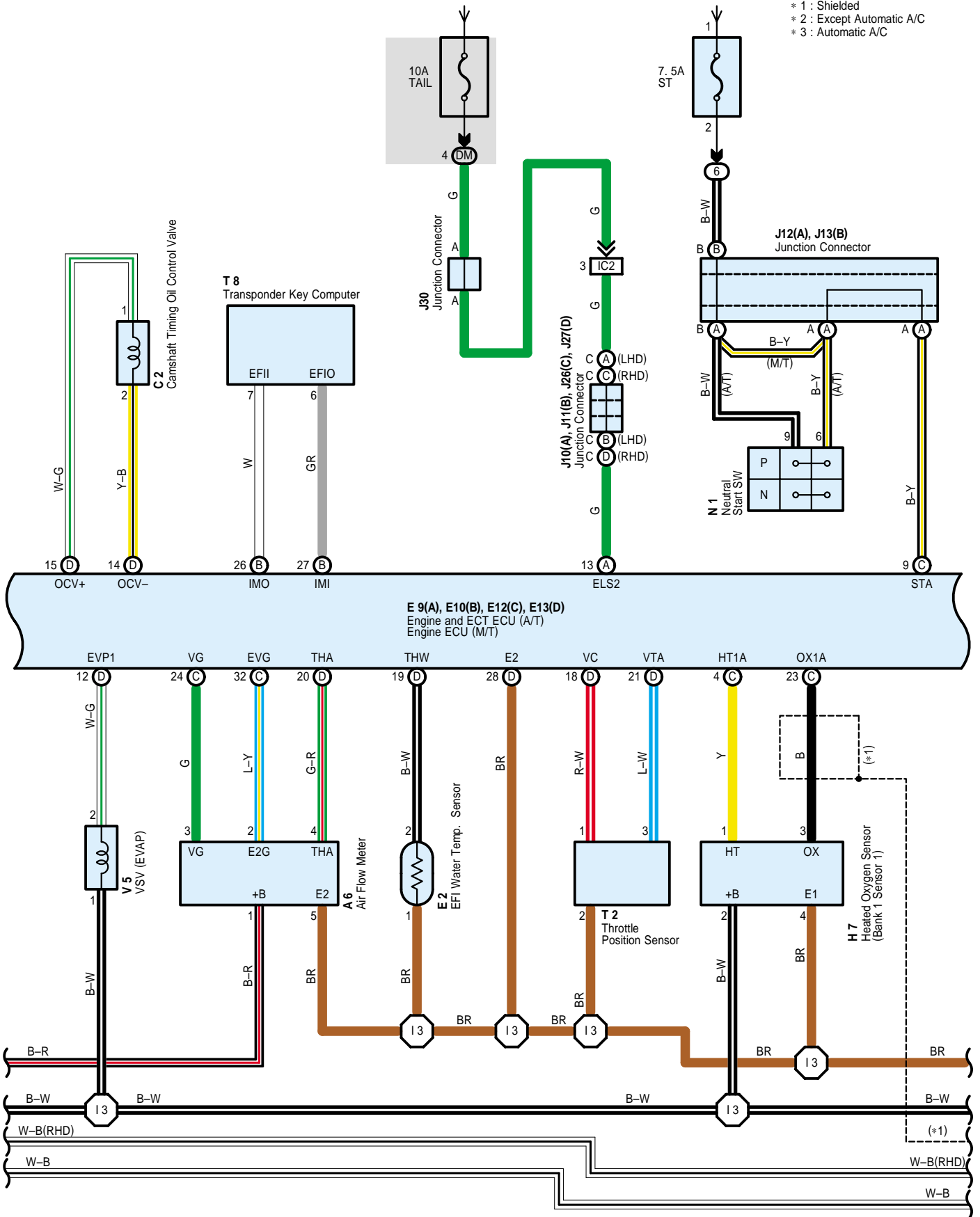


Engine Control (1ZZ-FE, 3ZZ-FE)



From Power Source System (See Page 120)

- * 1 : Shielded
- * 2 : Except Automatic A/C
- * 3 : Automatic A/C



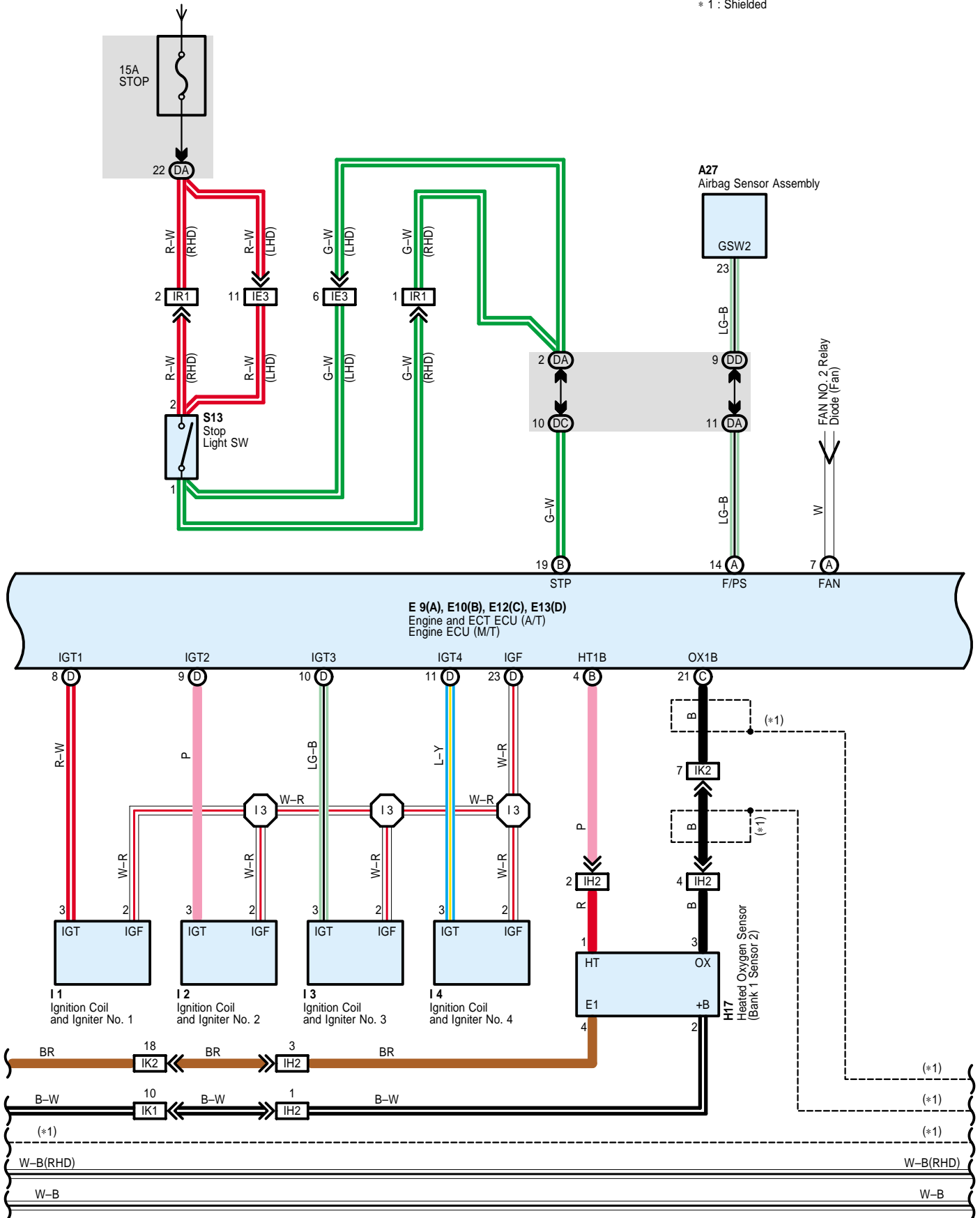
Engine Control (1ZZ-FE, 3ZZ-FE)

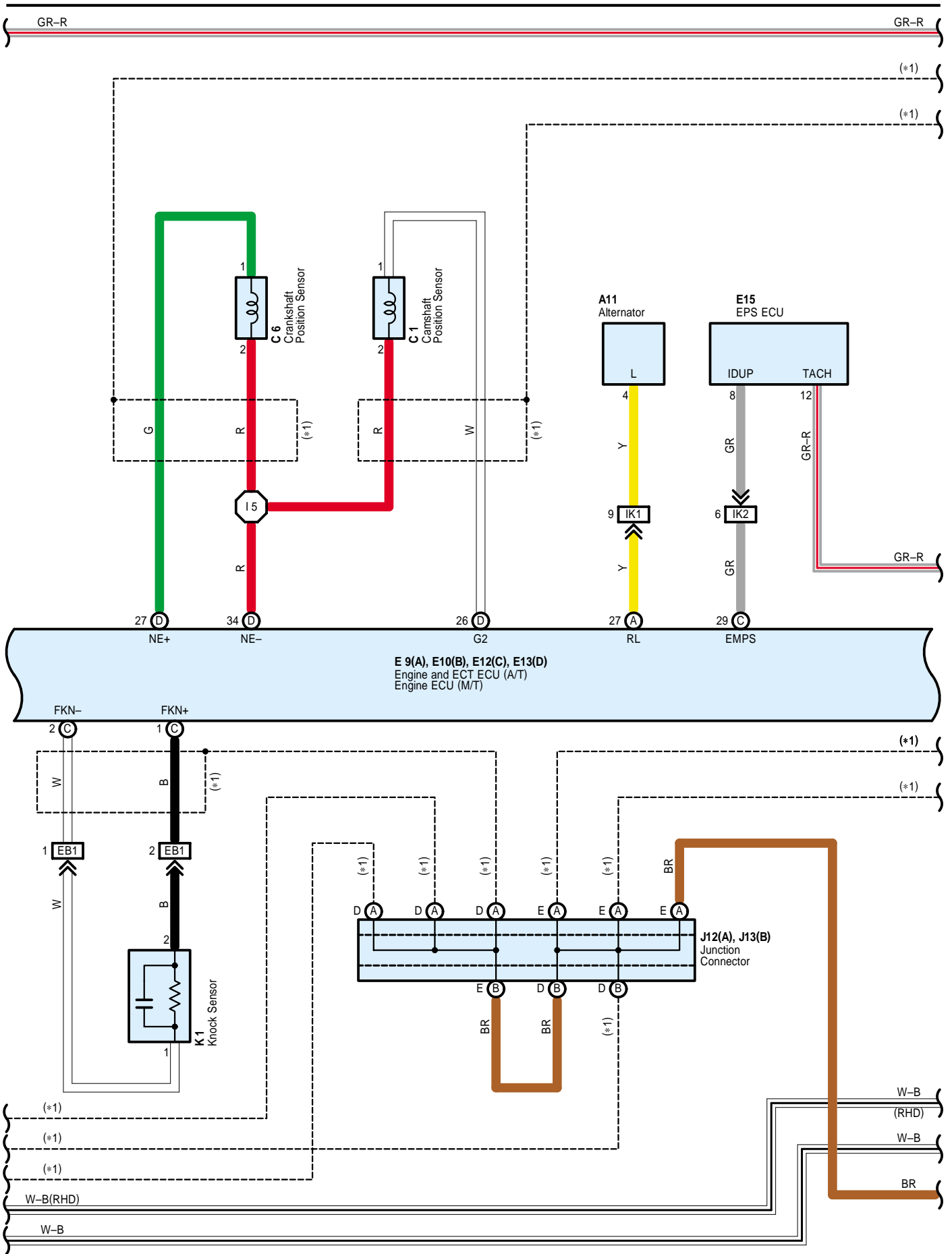
GR-R

GR-R

From Power Source System (See Page 120)

* 1 : Shielded

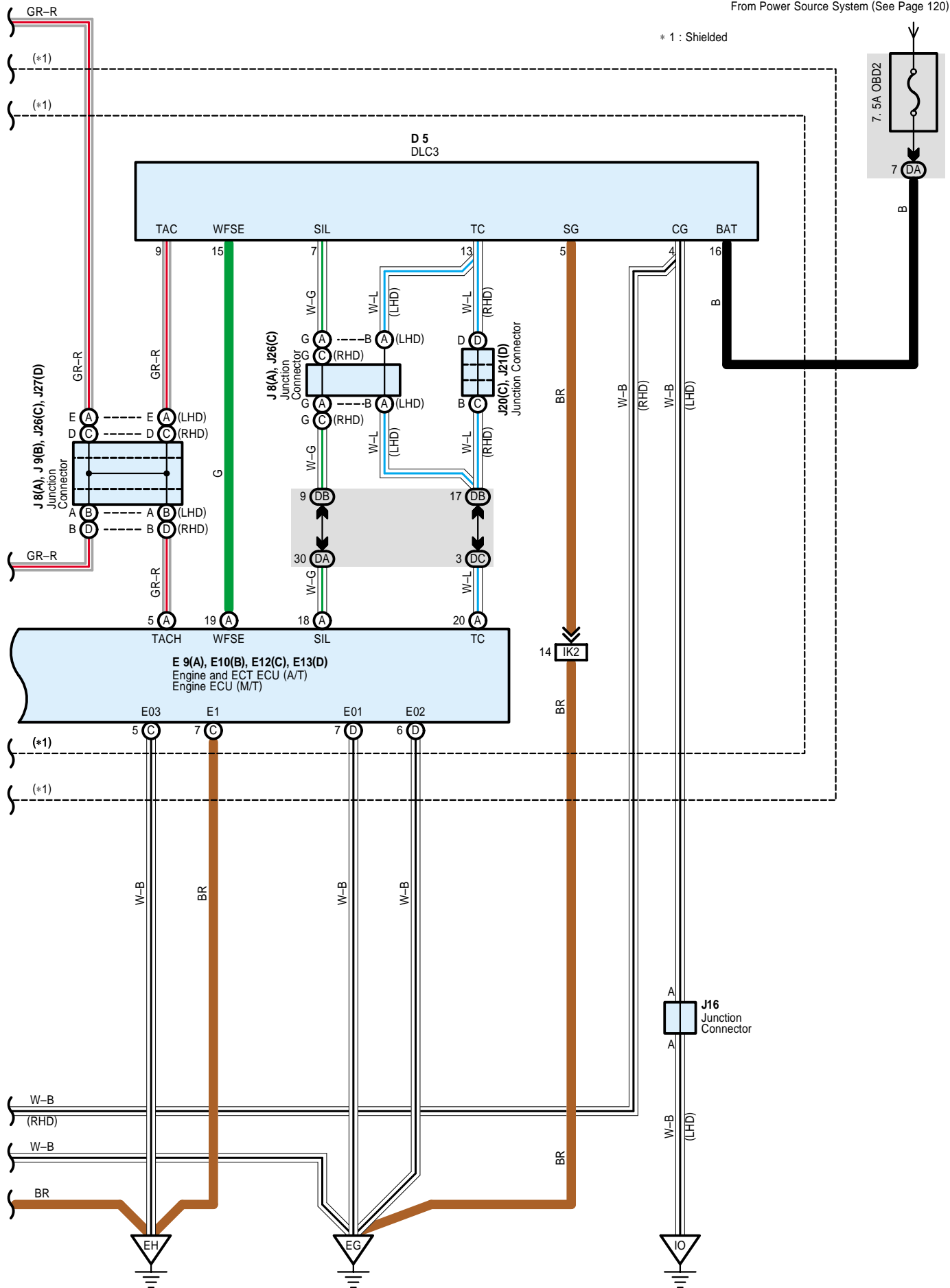




Engine Control (1ZZ-FE, 3ZZ-FE)

From Power Source System (See Page 120)

* 1 : Shielded



System Outline

This system utilizes an engine and ECT ECU (A/T) or engine ECU (M/T) and maintains overall control of the engine, transaxle and so on. An outline of the engine control is explained here.

1. Input Signals

(1) Water temp. signal circuit

The EFI water temp. sensor detects the engine coolant temp. and has a built-in thermistor with a resistance which varies according to the engine coolant temp. Thus the engine coolant temp. is input in the form of a control signal into TERMINAL THW of the engine and ECT ECU (A/T) or engine ECU (M/T).

(2) Intake air temp. signal circuit

The intake air temp. sensor is installed in the air flow meter and detects the intake air temp., which is input as a control signal into TERMINAL THA of the engine and ECT ECU (A/T) or engine ECU (M/T).

(3) Oxygen sensor signal circuit

The oxygen density in the exhaust emission is detected by the heated oxygen sensors and input as a control signal to TERMINALS OX1A and OX1B of the engine and ECT ECU (A/T) or engine ECU (M/T).

(4) RPM signal circuit

Camshaft position and crankshaft position are detected by the camshaft position sensor and crankshaft position sensor. Camshaft position is input as a control signal to TERMINAL G2 of the engine and ECT ECU (A/T) or engine ECU (M/T), and engine RPM is input into TERMINAL NE+.

(5) Throttle signal circuit

The throttle position sensor detects the throttle valve opening angle, which is input as a control signal into TERMINAL VTA of the engine and ECT ECU (A/T) or engine ECU (M/T).

(6) Vehicle speed signal circuit

The speed sensor, detects the vehicle speed and inputs a control signal to TERMINAL SPD of the engine and ECT ECU (A/T) or engine ECU (M/T).

(7) Battery signal circuit

Voltage is constantly applied to TERMINAL BATT of the engine and ECT ECU (A/T) or engine ECU (M/T). When the ignition SW is turned on, the voltage for engine and ECT ECU (A/T) or engine ECU (M/T) start-up power supply is applied to TERMINAL +B of engine and ECT ECU (A/T) or engine ECU (M/T) via EFI relay.

(8) Started signal circuit

To confirm whether the engine is cranking, the voltage applied to the starter motor during cranking is detected and the signal is input into TERMINAL STA of the engine and ECT ECU (A/T) or engine ECU (M/T) as a control signal.

(9) Engine knock signal circuit

Engine knocking is detected by knock sensor and the signal is input into TERMINAL FKN+ as a control signal.

Engine Control (1ZZ-FE, 3ZZ-FE)

2. Control System

* EFI system

The EFI system monitors the engine condition through the signals, which are input from each sensor to the engine and ECT ECU (A/T) or engine ECU (M/T). The best fuel injection volume is decided based on this data and the program memorized by the engine and ECT ECU (A/T) or engine ECU (M/T), and the control signal is output to TERMINALS #10, #20, #30 and #40 of the engine and ECT ECU (A/T) or engine ECU (M/T) to operate the injector. (Inject the fuel). The EFI system produces control of fuel injection operation by the engine and ECT ECU (A/T) or engine ECU (M/T) in response to the driving conditions.

* ESA system

The ESA system monitors the engine condition through the signals, which are input to the engine and ECT ECU (A/T) or engine ECU (M/T) from each sensor the best ignition timing is detected according to this data and the memorized data in the engine and ECT ECU (A/T) or engine ECU (M/T), and the control signal is output to TERMINALS IGT1, IGT2, IGT3 and IGT4. This signal controls the igniter to provide the best ignition timing for the driving conditions.

* ISC system

The ISC system (Rotary solenoid type) increases the RPM and provides idling stability for fast idle-up when the engine is cold and when the idle speed has dropped due to electrical load, etc. The engine and ECT ECU (A/T) or engine ECU (M/T) evaluates the signals from each sensor, outputs current to TERMINAL RSO, and controls the ISC valve.

* Fuel pump control system

The engine and ECT ECU (A/T) or engine ECU (M/T) operation outputs to TERMINAL FC and controls the circuit opening relay. Thus controls the fuel pump drive speed in response to conditions.

* Heated oxygen sensor heater control system

The heated oxygen sensor heater control system turns the heater on when the intake air volume is low (Temp. of exhaust emissions is low), and warms up the heated oxygen sensors to improve detection performance of the sensors. The engine and ECT ECU (A/T) or engine ECU (M/T) evaluates the signals from each sensor, and outputs current to TERMINALS HT1A and HT1B to control the heater

* VVT-i system

The system controls the position of the spool valve of the oil control valve according to the signals from the engine and ECT ECU (A/T) or engine ECU (M/T). In this manner, the hydraulic pressure to the advance side vane chamber and the retard side vane chamber of the VVT is controlled to vary the intake camshaft phase continuously.

3. Diagnosis System

With the diagnosis system, when there is a malfunctioning in the engine and ECT ECU (A/T) or engine ECU (M/T) signal system, the malfunction system is recorded in the memory. The malfunctioning system can then be found by reading the display (Code) of the malfunction indicator lamp.

4. Fail-Safe System

When a malfunction occurs in any system, if there is a possibility of engine trouble being caused by continued control based on the signals from that system, the fail-safe system either controls the system by using data (Standard values) recorded in the engine and ECT ECU (A/T) or engine ECU (M/T) memory or else stops the engine.

Service Hints

E9 (A), E12 (C), E13 (D) Engine and ECT ECU (A/T) or Engine ECU (M/T)

BATT-E1 : Always approx. 8.0-14.0 volts

+B-E1 : 8.0-14.0 volts (Ignition SW at ON position)

VC-E2 : Always 4.85-5.15 volts (Ignition SW at ON position)

VTA-E2 : 0.3-1.0 volts (Ignition SW on and accelerator pedal fully closed)

3.0-4.9 volts (Ignition SW on and accelerator pedal fully open)

THW-E2 : 0.2-1.0 volts (Engine idling and EFI water temp. 80°C)

THA-E2 : 0.5-3.4 volts (Engine idling and intake air temp. 20°C)

G2-NE- : Pulse generation (Engine idling)

NE+ -NE- : Pulse generation (Engine idling)

W-E1 : Below 3.0 volts (Ignition SW at ON position)

#10, #20, #30, #40-E01 : 9-14 volts (Ignition SW at ON position)

IGT1, IGT2, IGT3, IGT4-E1 : Pulse generation (Engine cranking or idling)

○ : Parts Location

Code		See Page	Code		See Page	Code		See Page
A6		42 (*5)	E15		47 (LHD)	J10	A	48 (LHD)
		62 (*9)			67 (RHD)	J11	B	48 (LHD)
A11		42 (*5)	F25		50 (LHD S/D)	J12	A	48 (LHD)
		62 (*9)			52 (LHD L/B)			68 (RHD)
A13	A	46 (LHD)			54 (LHD W/G)	J13	B	48 (LHD)
		66 (RHD)			70 (RHD S/D)			68 (RHD)
A15	B	46 (LHD)	72 (RHD L/B)	J16		48 (LHD)		
		66 (RHD)	74 (RHD W/G)			68 (RHD)		
A27		46 (LHD)	H7		42 (*5)	J20	C	68 (RHD)
		66 (RHD)			62 (*9)	J21	D	68 (RHD)
C1		42 (*5)	H17		47 (LHD)	J26	C	68 (RHD)
		62 (*9)			67 (RHD)	J27	D	68 (RHD)
C2		42 (*5)	11		43 (*5)	J30		51 (LHD S/D)
		62 (*9)			63 (*9)			53 (LHD L/B)
C6		42 (*5)	12		43 (*5)			55 (LHD W/G)
		62 (*9)			63 (*9)			71 (RHD S/D)
C8		46 (LHD)	13		43 (*5)		73 (RHD L/B)	
		66 (RHD)			63 (*9)	75 (RHD W/G)		
C10	A	46 (LHD)	14		43 (*5)	K1		43 (*5)
		66 (RHD)			63 (*9)			63 (*9)
C11	B	46 (LHD)	15		43 (*5)	N1		43 (*5)
		66 (RHD)			63 (*9)			63 (*9)
D5		47 (LHD)	16		43 (*5)	S2		43 (*5)
		67 (RHD)			63 (*9)			63 (*9)
E2		42 (*5)	17		43 (*5)	S13		49 (LHD)
		62 (*9)			63 (*9)			69 (RHD)
E9	A	47 (LHD)	18		43 (*5)	T2		43 (*5)
		67 (RHD)			63 (*9)			63 (*9)
E10	B	47 (LHD)	110		43 (*5)	T8		49 (LHD)
		67 (RHD)			63 (*9)			69 (RHD)
E12	C	47 (LHD)	114		47 (LHD)	V5		43 (*5)
		67 (RHD)			67 (RHD)			63 (*9)
E13	D	47 (LHD)	J8	A	48 (LHD)			
		67 (RHD)	J9	B	48 (LHD)			

○ : Relay Blocks

Code	See Page	Relay Blocks (Relay Block Location)
1	24 (*1)	Engine Room R/B No.1 (Engine Compartment Left)
4	27	Engine Room R/B No.4 (Left Side of the Suspension Tower)
6	29	Fuse Block (Lower Finish Panel)

* 1 : Gasoline * 2 : 1CD-FTV * 3 : LHD 1AZ-FSE * 4 : LHD 1AZ-FE * 5 : LHD 1ZZ-FE, 3ZZ-FE * 6 : LHD 1CD-FTV
 * 7 : RHD 1AZ-FSE * 8 : RHD 1AZ-FE * 9 : RHD 1ZZ-FE, 3ZZ-FE * 10 : RHD 1CD-FTV

Engine Control (1ZZ-FE, 3ZZ-FE)

: Junction Block and Wire Harness Connector

Code	See Page	Junction Block and Wire Harness (Connector Location)
1A	24 (*1)	Engine Room Main Wire and Engine Room J/B No.1 (Engine Compartment Left)
4A	27	Engine Room Main Wire and Engine Room J/B No.4 (Left Side of the Suspension Tower)
4B		
CA	34	Instrument Panel Wire and Center J/B (Instrument Panel Reinforcement RH)
CB		
CD		
CK		
DA	30	Instrument Panel Wire and Driver Side J/B (Left Side of the Instrument Panel)
DB		
DC		
DD		
DL		
DM	31	Floor Wire and Driver Side J/B (Left Side of the Instrument Panel)

: Connector Joining Wire Harness and Wire Harness

Code	See Page	Joining Wire Harness and Wire Harness (Connector Location)
EA1	82 (*5)	Engine Wire and Engine Room Main Wire (Left Side of the Suspension Tower)
	102 (*9)	
EB1	82 (*5)	Engine Wire and Engine No.4 Wire (Near the Alternator)
	102 (*9)	
IB1	86 (LHD)	Engine Room Main Wire and Floor Wire (Near the Driver Side J/B)
	106 (RHD)	
IC1	86 (LHD)	Instrument Panel Wire and Floor Wire (Left Kick Panel)
	106 (RHD)	
IC2	86 (LHD)	
	106 (RHD)	
IC3	86 (LHD)	
	106 (RHD)	
IE1	86 (LHD)	Engine Room Main Wire and Instrument Panel Wire (Behind the Combination Meter)
	106 (RHD)	Engine Room Main Wire and Instrument Panel Wire (Behind the Glove Box)
IE3	86 (LHD)	Engine Room Main Wire and Instrument Panel Wire (Behind the Combination Meter)
IH2	88 (LHD)	Floor No.3 Wire and Instrument Panel Wire (Instrument Panel Brace RH)
	106 (RHD)	
IK1	88 (LHD)	Engine Wire and Instrument Panel Wire (Behind the Glove Box)
	108 (RHD)	
IK2	88 (LHD)	
	108 (RHD)	
IO1	108 (RHD)	Engine Room Main Wire and Instrument Panel Wire (Left Side of the Instrument Panel)
IR1	108 (RHD)	Instrument Panel Wire and Cowl Wire (Right Side of the Instrument Panel)

* 1 : Gasoline * 2 : 1CD-FTV * 3 : LHD 1AZ-FSE * 4 : LHD 1AZ-FE * 5 : LHD 1ZZ-FE, 3ZZ-FE * 6 : LHD 1CD-FTV
 * 7 : RHD 1AZ-FSE * 8 : RHD 1AZ-FE * 9 : RHD 1ZZ-FE, 3ZZ-FE * 10 : RHD 1CD-FTV

**: Ground Points**

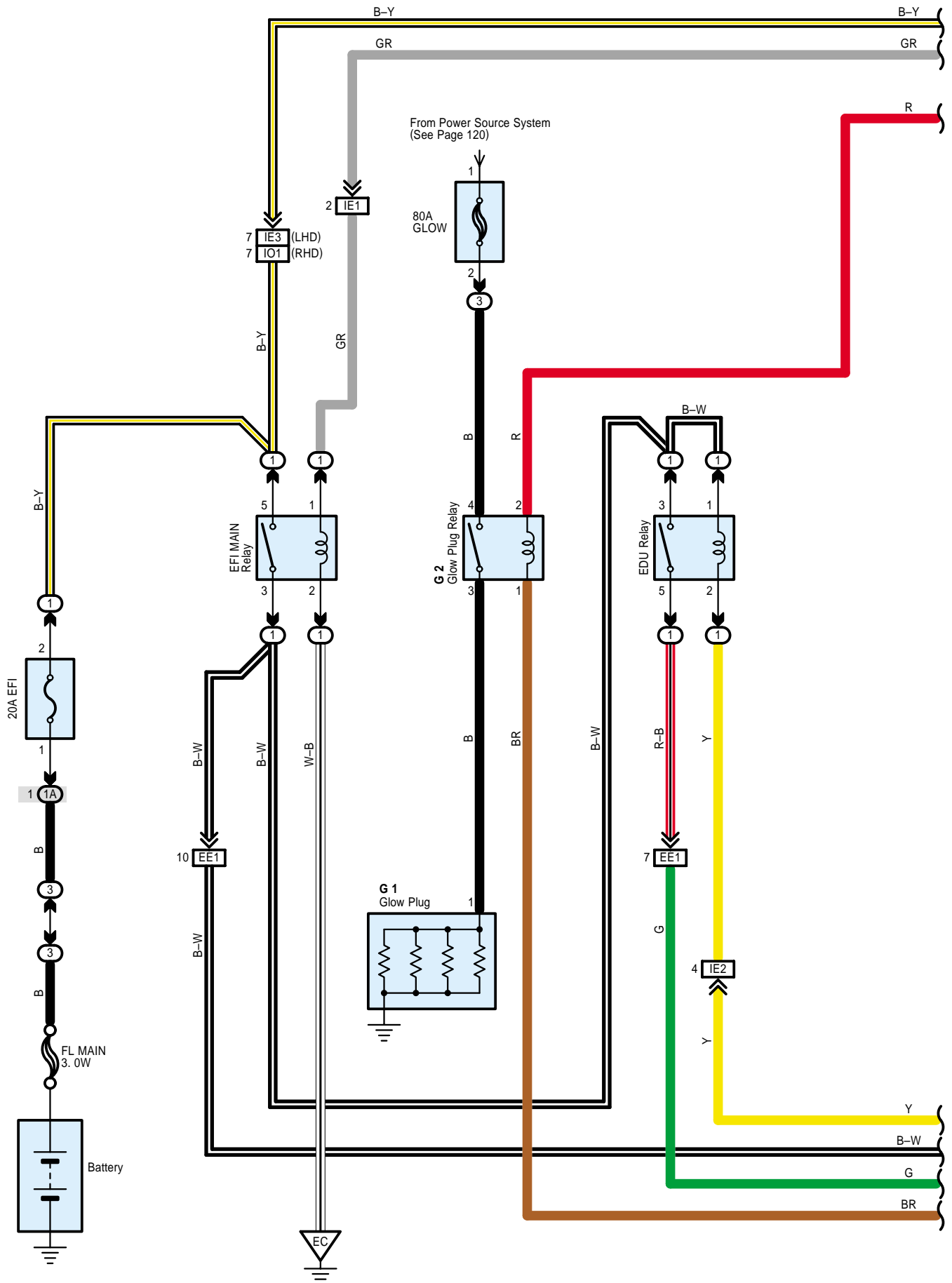
Code	See Page	Ground Points Location	
EC	82 (*5)	Engine Compartment Left	
	102 (*9)		
EG	82 (*5)	Left Side of the Cylinder Head	
	102 (*9)		
EH	82 (*5)		
	102 (*9)		
IO	86 (LHD)		Instrument Panel Reinforcement RH
IP	86 (LHD)		Right Kick Panel
	106 (RHD)		
BR	90 (LHD S/D)	Under the Left Center Pillar	
	92 (LHD L/B)		
	94 (LHD W/G)		
	110 (RHD S/D)		
	112 (RHD L/B)		
	114 (RHD W/G)		

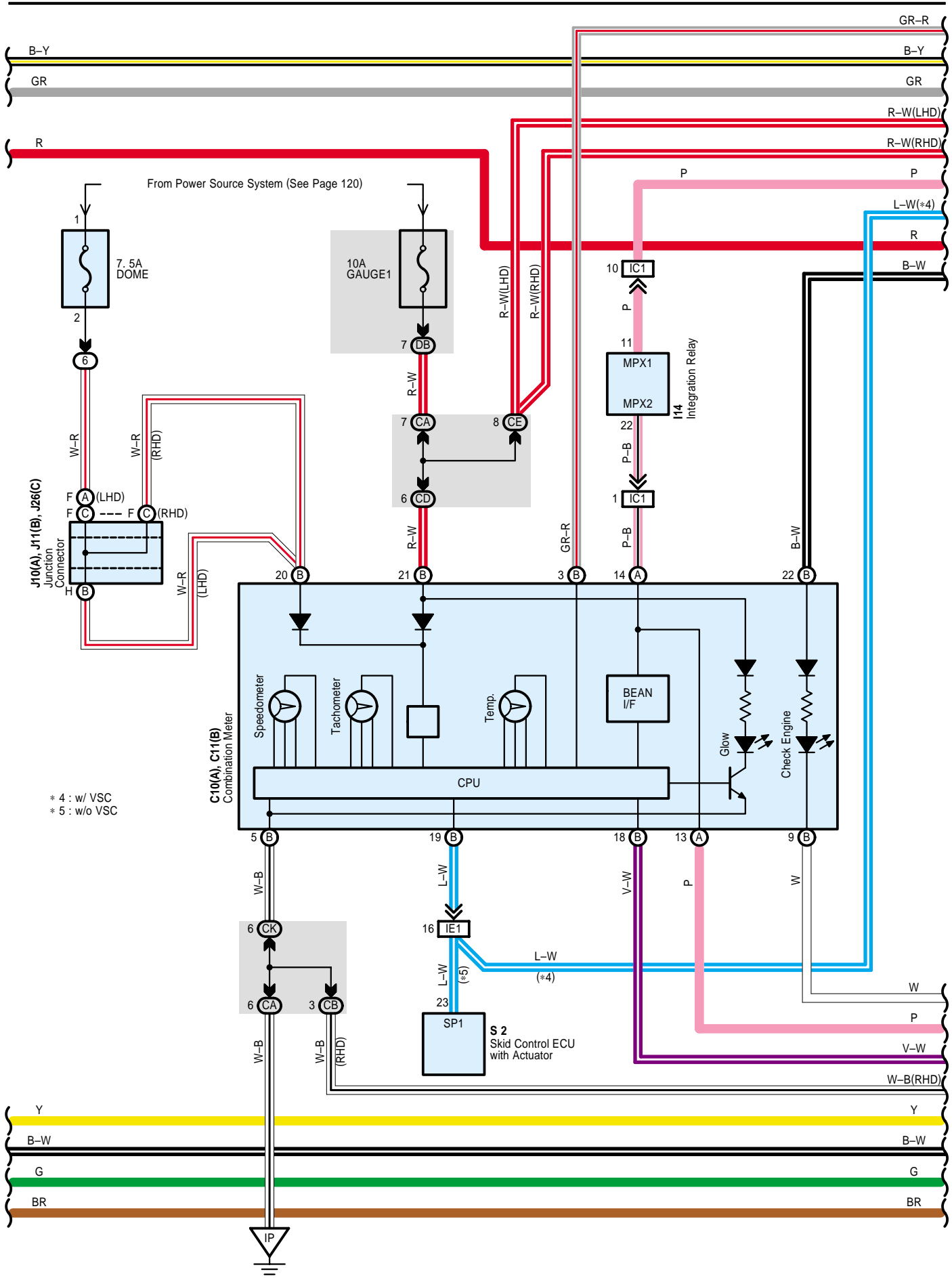
**: Splice Points**

Code	See Page	Wire Harness with Splice Points	Code	See Page	Wire Harness with Splice Points
E2	82 (*5)	Engine Room Main Wire	I3	88 (LHD)	Engine Wire
	102 (*9)			108 (RHD)	
E3	82 (*5)	Engine Wire	I5	88 (LHD)	
	102 (*9)			108 (RHD)	

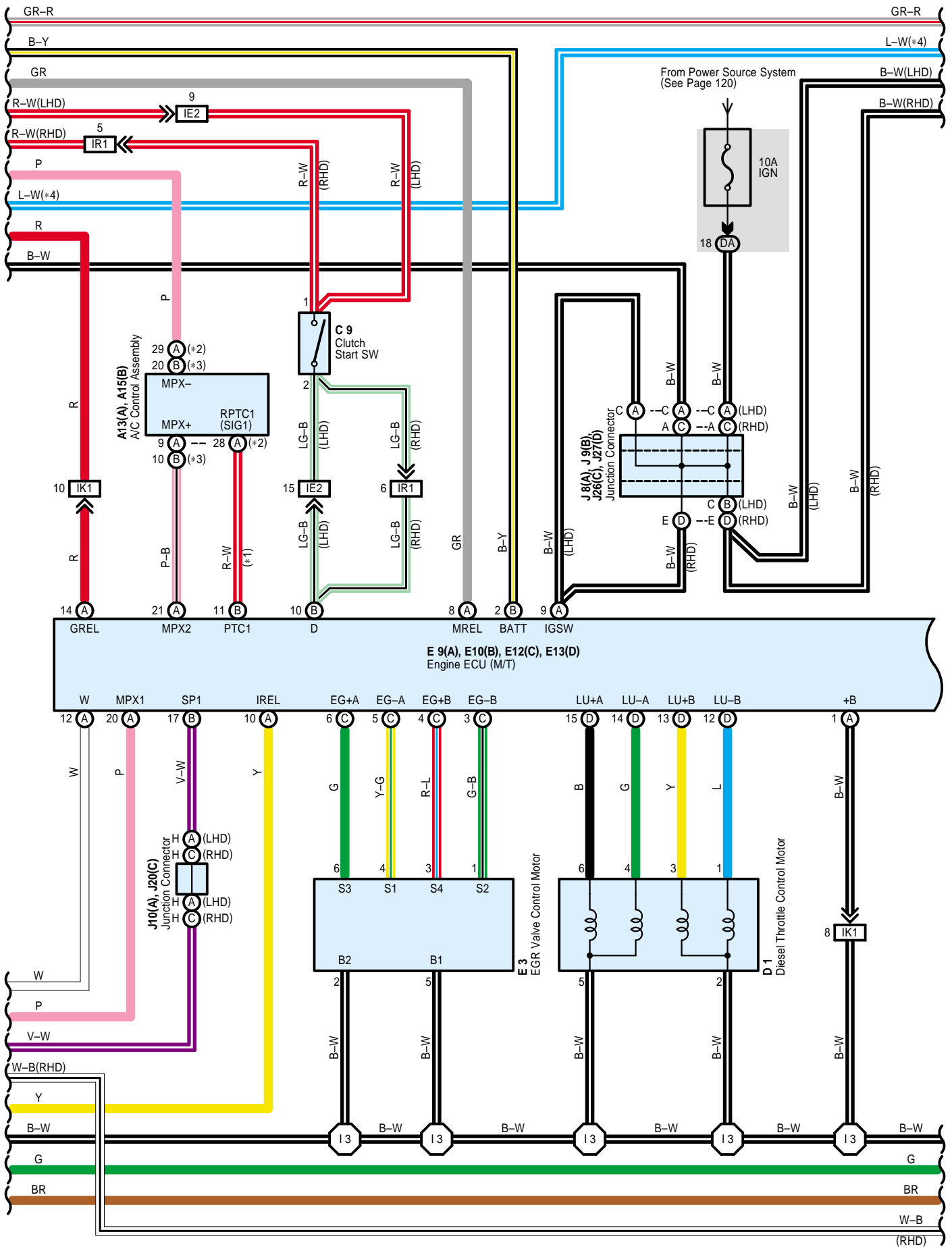
* 1 : Gasoline * 2 : 1CD-FTV * 3 : LHD 1AZ-FSE * 4 : LHD 1AZ-FE * 5 : LHD 1ZZ-FE, 3ZZ-FE * 6 : LHD 1CD-FTV
 * 7 : RHD 1AZ-FSE * 8 : RHD 1AZ-FE * 9 : RHD 1ZZ-FE, 3ZZ-FE * 10 : RHD 1CD-FTV

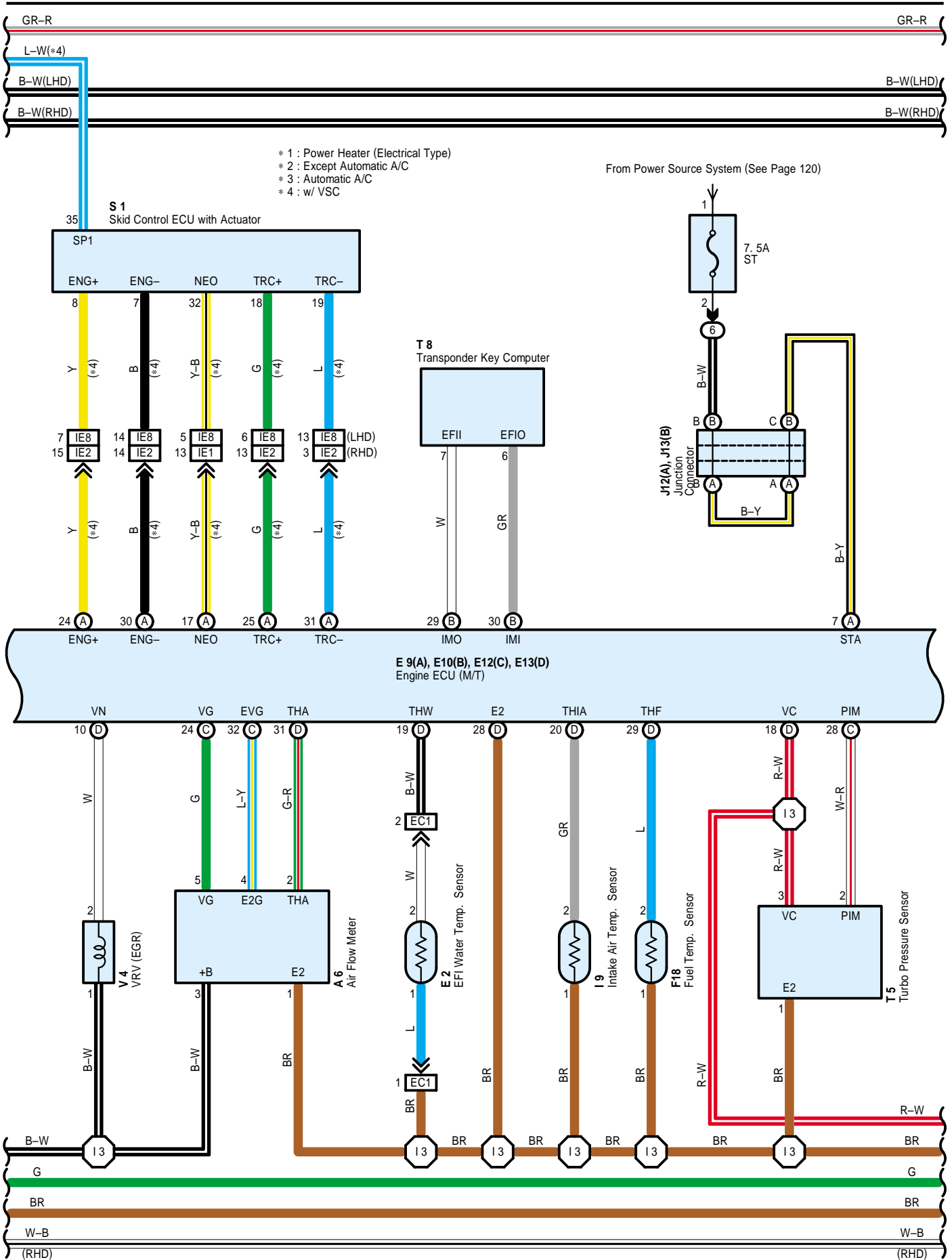
Engine Control (1CD-FTV)





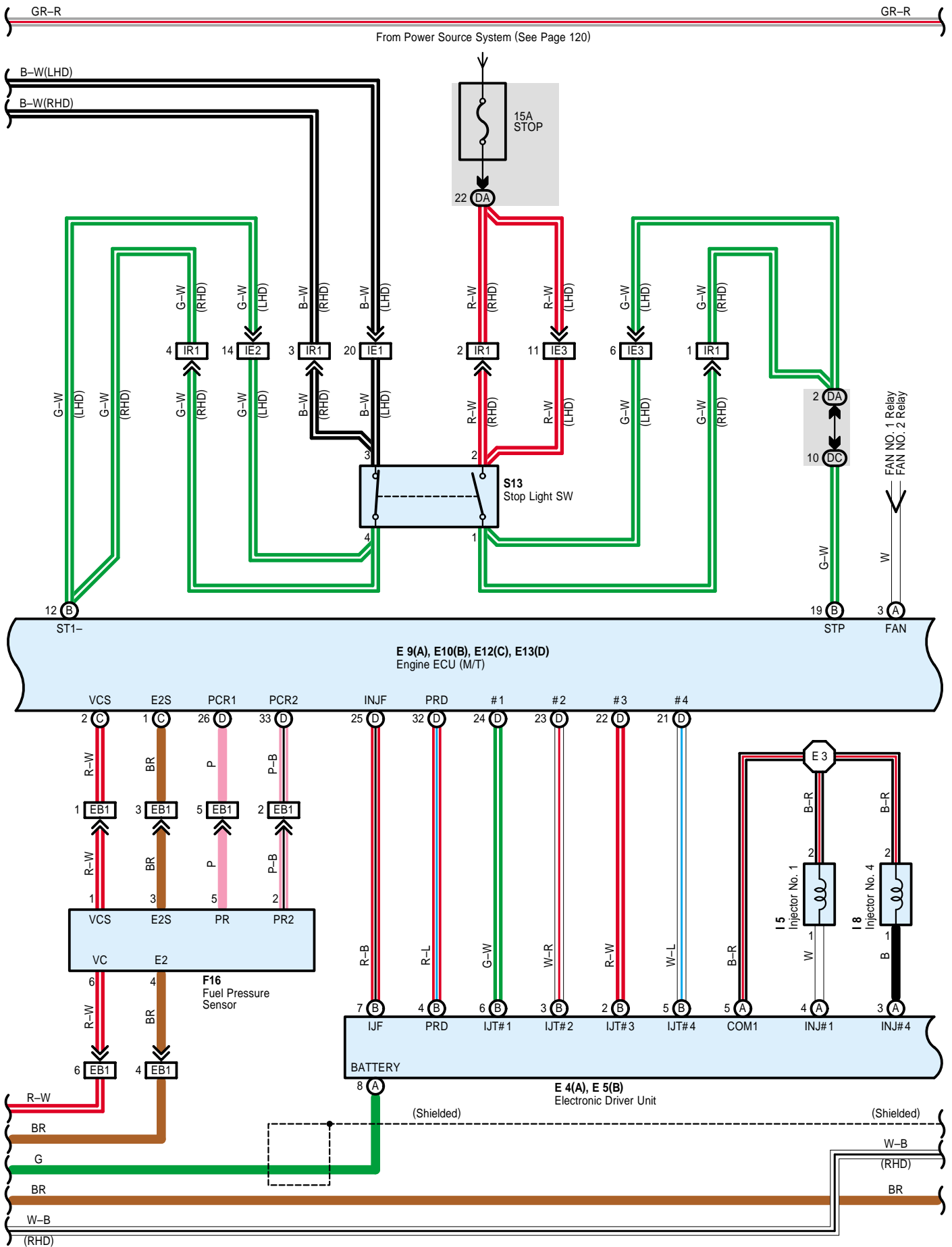
Engine Control (1CD-FTV)

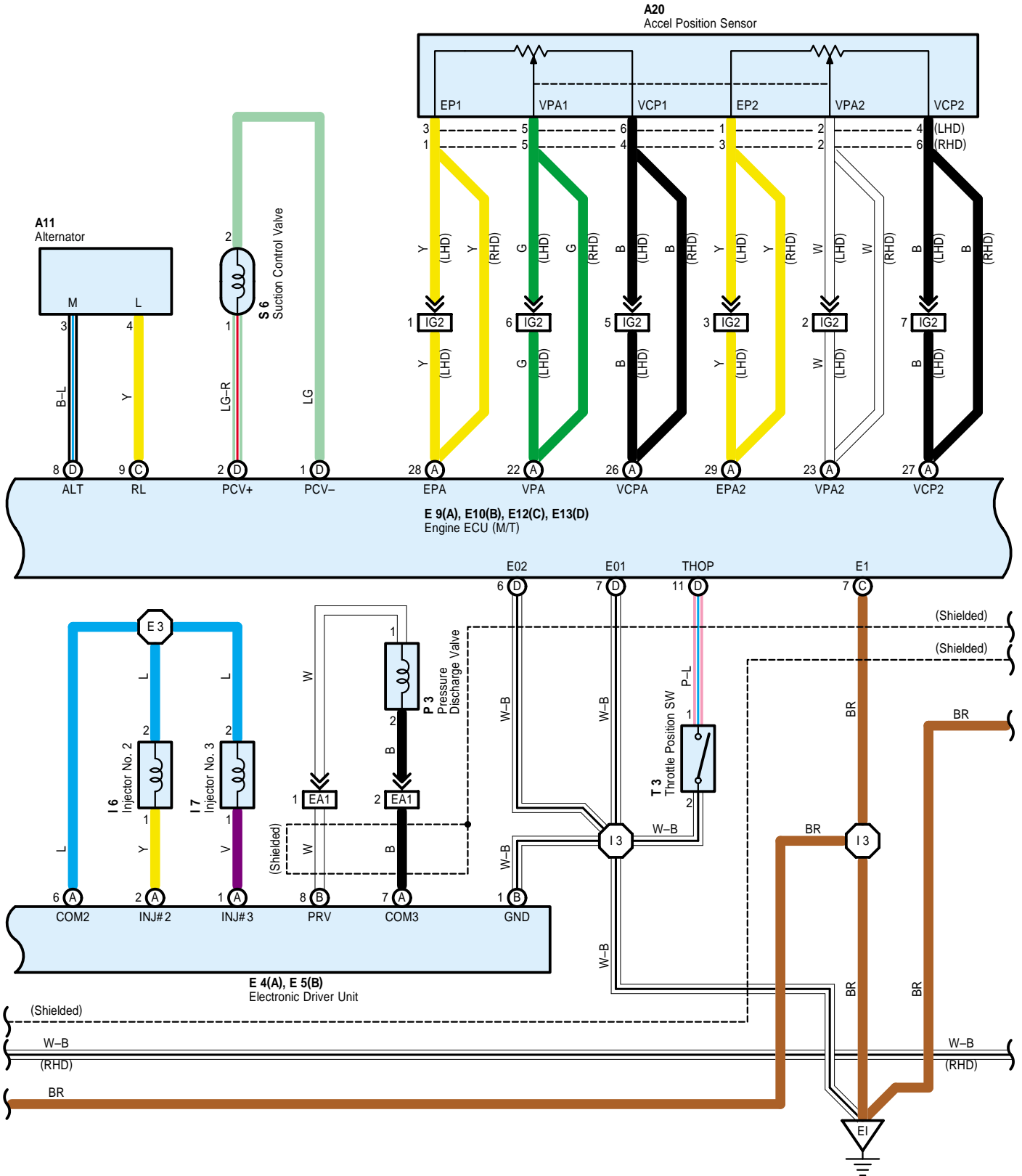




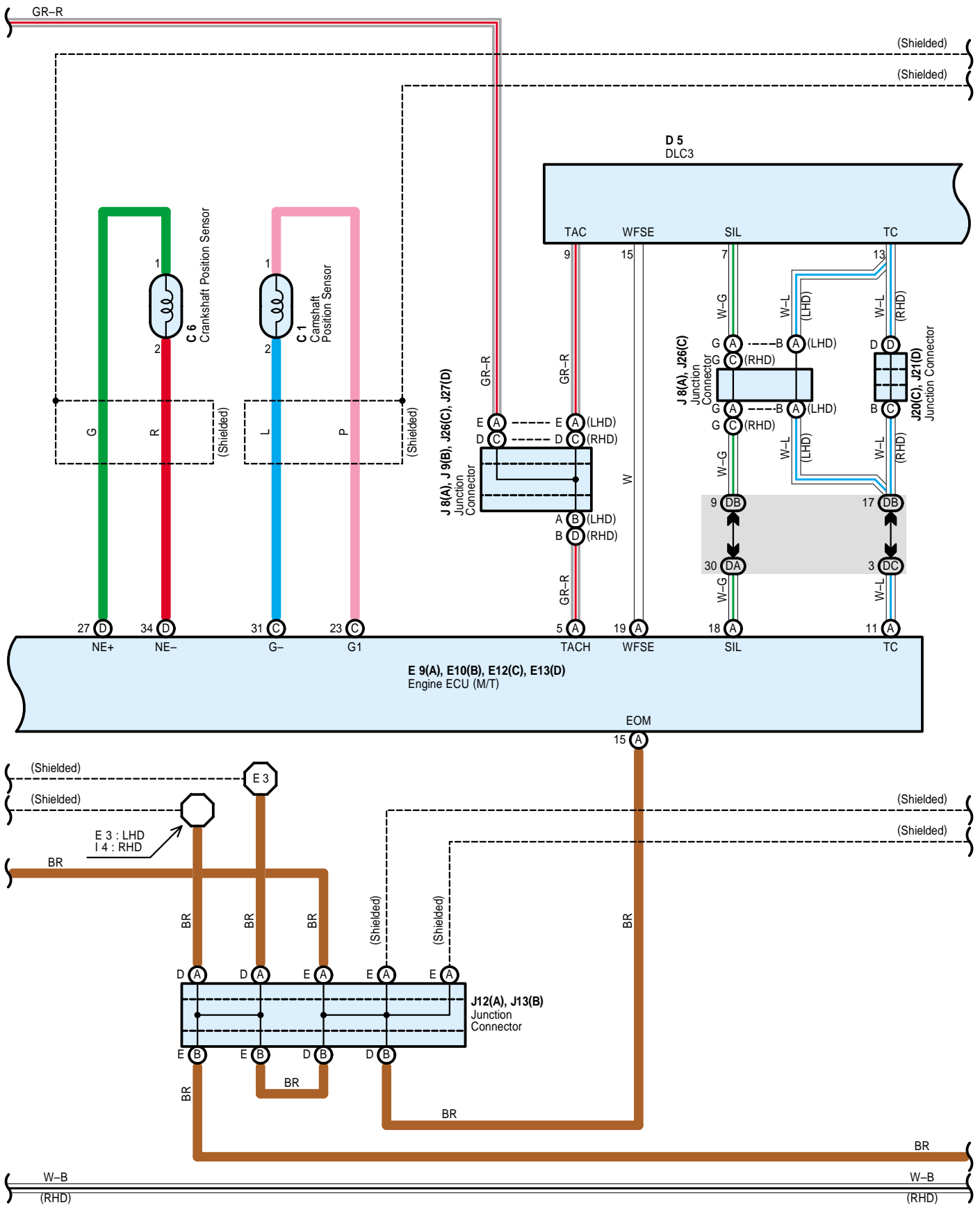
- * 1 : Power Heater (Electrical Type)
- * 2 : Except Automatic A/C
- * 3 : Automatic A/C
- * 4 : w/ VSC

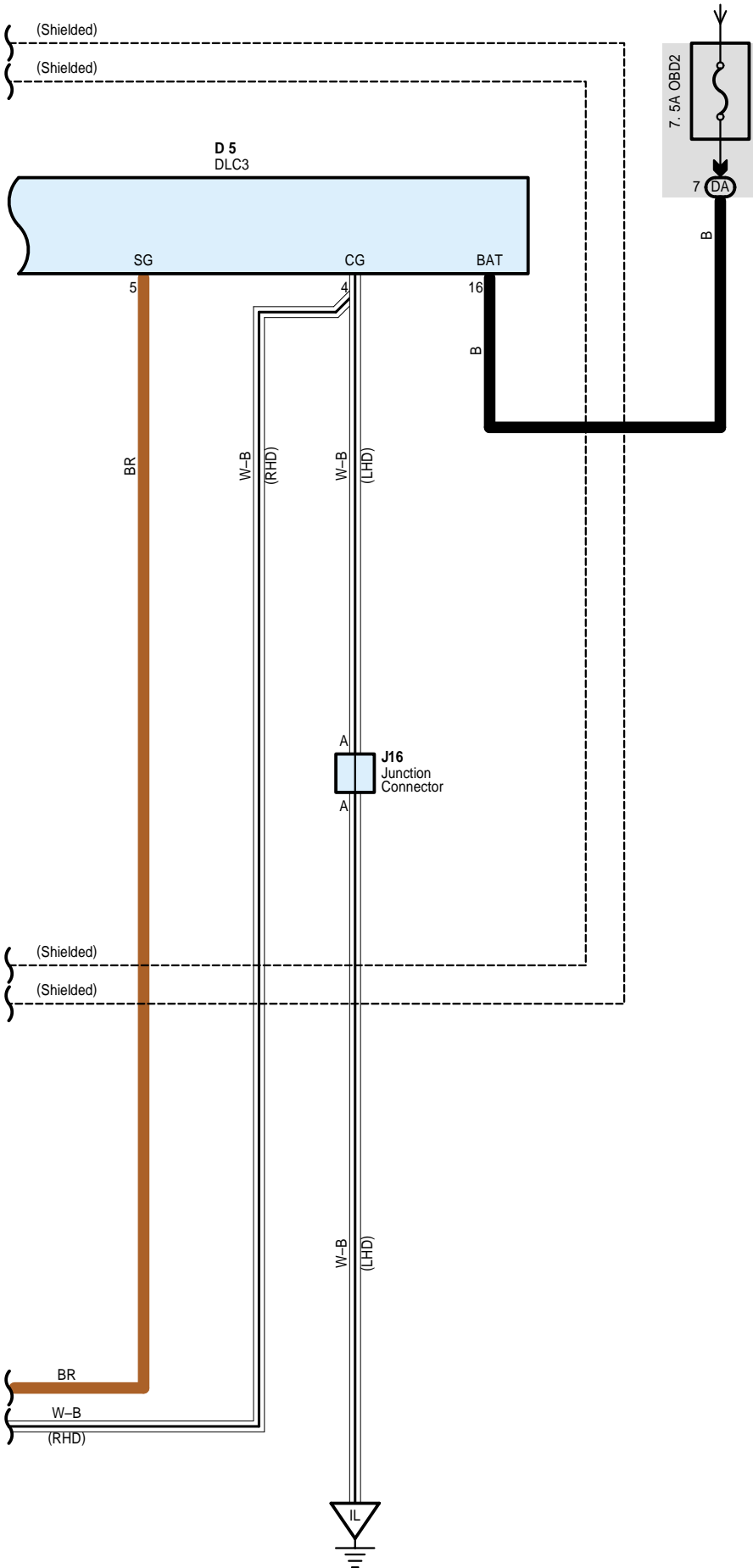
Engine Control (1CD-FTV)





Engine Control (1CD-FTV)





System Outline

This system utilizes an engine ECU and maintains overall control of the engine, transaxle and so on. An outline of the engine control is explained here.

1. Input Signals

(1) Water temp. signal circuit

The EFI water temp. sensor detects the engine coolant temp. and has a built-in thermistor with a resistance varies according to the engine coolant temp. Thus the engine coolant temp. is input in the form of a control signal to TERMINAL THW of the engine ECU.

(2) Intake air temp. signal circuit

The intake air temp. sensor is installed in the air flow meter and detects the intake air temp., which is input as a control signal to TERMINAL THIA of the engine ECU.

(3) RPM signal circuit

Camshaft position and crankshaft position are detected by the camshaft position sensor and crankshaft position sensor. Camshaft position is input as a control signal to TERMINAL G1 of the engine ECU, and engine RPM is input into TERMINAL NE+.

(4) Throttle signal circuit

The accelerator pedal position sensor detects the accelerator pedal opening angle, which is input as a control signal to TERMINALS VPA, VPA2 of the engine ECU.

(5) Vehicle speed signal circuit

The speed sensor detects the vehicle speed and inputs a control signal to TERMINAL SP1 of the engine ECU.

(6) Battery signal circuit

Voltage is constantly applied to TERMINAL BATT of the engine ECU. When the ignition SW is turned to on, voltage for engine ECU operation is applied via the EFI MAIN relay to TERMINAL +B of the engine ECU.

(7) Started signal circuit

To confirm that the engine is cranking, the voltage applied to the starter motor during cranking is detected and is input as a control signal to TERMINAL STA of the engine ECU.

(8) Fuel temp. signal circuit

The fuel temp. sensor is detects the fuel temp., which is input as a control signal to TERMINAL THF of the engine ECU.

(9) Intake air vacuum pressure signal system

Intake air vacuum pressure is detected by the turbo pressure sensor and is input as a control signal to TERMINAL PIM of the engine ECU.

(10) Stop light SW signal circuit

The stop light SW is used to detect whether the vehicle is braking or not and the signal is input into TERMINAL STP of the engine ECU as a control signal.

2. Control System

*** EGR control system**

The EGR control system detects the signals from each sensors, then the current is output to the TERMINAL VN to control the VRV (EGR).

*** Common rail pressure control**

The rail pressure is controlled by calculating the target rail pressure based on the engine status (Engine opening, engine speed), as well as the amount of fuel to be pressure-fed from the supply pump and the relief rate of the pressure reducing valve so that the detection value of the rail pressure sensor will meet the target value, and sending a signal to the suction volume regulating and pressure reducing valves.

*** Fuel injection timing control**

The fuel injection timing is controlled by calculating the basic fuel injection timing based on the engine status (Engine opening, engine speed), making corrections according to the water temperature, suction air temperature, suction air pressure, etc., then sending a signal to the solenoid control valve of the ejector via the electronic driver unit.

*** Fuel injection rate control**

The fuel injection rate is controlled by calculating the basic fuel injection rate based on the engine status (Engine opening, engine speed), making corrections according to the water temperature, suction air temperature, suction air pressure, etc., then sending a signal to the solenoid control valve of the ejector via the electronic driver unit.

*** Pilot injection control**

The fuel injection timing and rate are controlled by calculating the pilot injection rate and timing based on the engine status (Engine opening, engine speed), making corrections according to the water temperature, suction air temperature, suction air pressure, etc., then sending a signal to the solenoid control valve of the ejector via the electronic driver unit.

3. Diagnosis System

With the diagnosis system, when there is a malfunctioning in the ECU signal system, the malfunction system is recorded in the memory. The malfunctioning system can be found by reading the display (Code) of the check engine warning light.

4. Fail-safe System

When a malfunction occurs in any system, if there is a possibility of engine trouble being caused by continued control based on the signals from that system, the fail-safe system either controls the system by using data (Standard values) recorded in the ECU memory or else stops the engine.

Engine Control (1CD-FTV)

Service Hints

EDU Relay

5-3 : Closed with the ignition SW at ON or ST position

E9 (A), E10 (B), E12 (C), E13 (D) Engine ECU (M/T)

BATT-E1 : Always 9.0-14.0 volts

+B-E1 : 9.0-14.0 volts (Ignition SW at ON position)

VC, VCPA, VCP2, VCS-E1 : 4.5-5.5 volts (Ignition SW at ON position)

STA-E1 : 6.0 volts or more (Engine cranking)

MREL-E1 : 9.0-14.0 volts (Ignition SW at ON position)

0-1.5 volts (More than two seconds passed away after the ignition SW was turned to OFF)

IREL-E1 : 0-1.5 volts (Engine idling)

9.0-14.0 volts (Ignition SW at OFF position)

GREL-E1 : 9.0-14.0 volts (Engine cranking)

0-1.5 volts (Engine idling (More than 600 seconds passed away after the engine started to run))

NE+ -NE- : Pulse generation (Engine idling)

G1-G- : Pulse generation (Engine idling)

VPA-EPA : 0.5-1.1 volts (Ignition SW on and accelerator pedal fully closed)

3.0-4.6 volts (Ignition SW on and accelerator pedal fully opened)

VPA2-EPA2 : 0.9-2.3 volts (Ignition SW on and accelerator pedal fully closed)

3.4-5.0 volts (Ignition SW on and accelerator pedal fully opened)

STP-E1 : 7.5-14.0 volts (Ignition SW on and brake pedal depressed)

0-1.5 volts (Ignition SW on and brake pedal released)

ST1- -E1 : 0-1.5 volts (Ignition SW on and brake pedal depressed)

7.5-14.0 volts (Ignition SW on and brake pedal released)

PIM-E2 : 0.2-0.8 volts (When a negative pressure of 40 kPa (300 mmhg) is applied)

1.3-1.9 volts (During air release)

3.2-3.8 volts (When a pressure of 69 kPa (0.7 kg/cm³) is applied)

THW-E2 : 0.2-1.0 volts (During warm-up and coolant temp. 60°C, 140°F-120°C, 248°F)

THA-E2 : 0.5-3.4 volts (During warm-up and intake temp. 0°C, 32°F-80°C, 176°F)

THIA-E2 : 0.5-3.4 volts (During warm-up and intake air temp. 0°C, 32°F-80°C, 176°F)

THF-E2 : 0.5-3.4 volts (During cooling with the ignition SW kept at the ON position)

VG-E2 : 0.5-3.4 volts (Engine idling)

PCR1-E2 : 1.8-2.1 volts (Engine idling)

PCR2-E2 : 1.2-1.5 volts (Engine idling)

ALT-E1 : Pulse generation (Engine idling)

RL-E1 : 9.0-14.0 volts (Engine idling)

PCV+ -PCV- : Pulse generation (Engine idling)

#1, #2, #3, #4-E1 : Pulse generation (Engine idling)

PRD-E1 : 4.0-6.5 volts (Ignition SW off)

INJF-E1 : Pulse generation (Engine idling)

EG+A-E1 : Pulse generation (During idling after warm-up)

EG-A-E1 : Pulse generation (During idling after warm-up)

EG+B-E1 : Pulse generation (During idling after warm-up)

EG-B-E1 : Pulse generation (During idling after warm-up)

LU+A-E1 : Pulse generation (During racing after warm-up)

LU-A-E1 : Pulse generation (During racing after warm-up)

LU+B-E1 : Pulse generation (During racing after warm-up)

LU-B-E1 : Pulse generation (During racing after warm-up)

THOP-E1 : 9.0-14.0 volts (During idling after warm-up)

0-3.0 volts (Only once within five seconds after the ignition SW was turned to ON)

VN-E1 : Pulse generation (Ignition SW at ON position)

MPX1-E1 : Pulse generation (During idling after warm-up)

MPX2-E1 : Pulse generation (During idling after warm-up)

W-E1 : 0-3.0 volts (Check engine warning light lights up and ignition SW at ON position)

9.0-14.0 volts (Engine idling and except check engine warning light lights up)

TACH-E1 : Pulse generation (Engine idling)

TC-E1 : 9.0-14.0 volts (Ignition SW at ON position)

0-3.0 volts (The DLC3 is shorted between the TERMINALS TC and CG)

D-E1 : 7.5-14.0 volts (Ignition SW on and clutch pedal depressed)

0-1.5 volts (Ignition SW on and clutch pedal released)

○ : Parts Location

Code		See Page	Code		See Page	Code		See Page
A6		44 (*6)	E5	B	64 (*10)	J10	A	48 (LHD)
		64 (*10)	E9	A	47 (LHD)	J11	B	48 (LHD)
A11		44 (*6)			67 (RHD)	J12	A	48 (LHD)
		64 (*10)	47 (LHD)	68 (RHD)				
A13	A	46 (LHD)	E10	B	67 (RHD)	J13	B	48 (LHD)
		66 (RHD)			47 (LHD)			68 (RHD)
A15	B	46 (LHD)	E12	C	67 (RHD)	J16		48 (LHD)
		66 (RHD)			47 (LHD)		68 (RHD)	
A20		46 (LHD)	E13	D	67 (RHD)	J20	C	68 (RHD)
		66 (RHD)			F16	44 (*6)	J21	D
C1		44 (*6)	F18	64 (*10)		J26	C	68 (RHD)
		64 (*10)		44 (*6)	J27	D	68 (RHD)	
C6		44 (*6)	G1	64 (*10)	P3		45 (*6)	
		64 (*10)		44 (*6)		65 (*10)		
C9		46 (LHD)	G2	64 (*10)	S1		45 (*6)	
		66 (RHD)		44 (*6)		65 (*10)		
C10	A	46 (LHD)	15	64 (*10)	S2		45 (*6)	
		66 (RHD)		45 (*6)		65 (*10)		
C11	B	46 (LHD)	16	65 (*10)	S6		45 (*6)	
		66 (RHD)		45 (*6)		65 (*10)		
D1		44 (*6)	17	65 (*10)	S13		49 (LHD)	
		64 (*10)		45 (*6)		69 (RHD)		
D5		47 (LHD)	18	65 (*10)	T3		45 (*6)	
		67 (RHD)		45 (*6)		65 (*10)		
E2		44 (*6)	19	65 (*10)	T5		45 (*6)	
		64 (*10)		45 (*6)		65 (*10)		
E3		44 (*6)	I14	65 (*10)	T8		49 (LHD)	
		64 (*10)		47 (LHD)		69 (RHD)		
E4	A	44 (*6)	J8	67 (RHD)	V4		45 (*6)	
		64 (*10)		48 (LHD)		65 (*10)		
E5	B	44 (*6)	J9	B			48 (LHD)	

○ : Relay Blocks

Code	See Page	Relay Blocks (Relay Block Location)
1	25 (*2)	Engine Room R/B No.1 (Engine Compartment Left)
3	26	Engine Room R/B No.3 (Left Side of the Suspension Tower)
6	29	Fuse Block (Lower Finish Panel)

○ : Junction Block and Wire Harness Connector

Code	See Page	Junction Block and Wire Harness (Connector Location)
1A	25 (*2)	Engine Wire and Engine Room J/B No.1 (Engine Compartment Left)
CA	34	Instrument Panel Wire and Center J/B (Instrument Panel Reinforcement RH)
CB		
CD		
CE		
CK	35	
DA	30	Instrument Panel Wire and Driver Side J/B (Left Side of the Instrument Panel)
DB		
DC		

* 1 : Gasoline * 2 : 1CD-FTV * 3 : LHD 1AZ-FSE * 4 : LHD 1AZ-FE * 5 : LHD 1ZZ-FE, 3ZZ-FE * 6 : LHD 1CD-FTV
 * 7 : RHD 1AZ-FSE * 8 : RHD 1AZ-FE * 9 : RHD 1ZZ-FE, 3ZZ-FE * 10 : RHD 1CD-FTV

Engine Control (1CD-FTV)

: Connector Joining Wire Harness and Wire Harness

Code	See Page	Joining Wire Harness and Wire Harness (Connector Location)
EA1	84 (*6)	Engine Wire and Engine No.5 Wire (Near the Starter)
	104 (*10)	
EB1	84 (*6)	Engine Wire and Engine No.6 Wire (Near the Starter)
	104 (*10)	
EC1	84 (*6)	Engine Wire and Engine No.4 Wire (Near the Starter)
	104 (*10)	
EE1	84 (*6)	Engine Wire and Engine Room Main Wire (Engine Compartment Left)
	104 (*10)	
IC1	86 (LHD)	Instrument Panel Wire and Floor Wire (Left Kick Panel)
	106 (RHD)	
IE1	86 (LHD)	Engine Room Main Wire and Instrument Panel Wire (Behind the Combination Meter)
	106 (RHD)	Engine Room Main Wire and Instrument Panel Wire (Behind the Glove Box)
IE2	86 (LHD)	Engine Room Main Wire and Instrument Panel Wire (Behind the Combination Meter)
	106 (RHD)	Engine Room Main Wire and Instrument Panel Wire (Behind the Glove Box)
IE3	86 (LHD)	Engine Room Main Wire and Instrument Panel Wire (Behind the Combination Meter)
IE8		
IG2	88 (LHD)	Instrument Panel Wire and Switch Wire (Instrument Panel Brace LH)
IK1	88 (LHD)	Engine Wire and Instrument Panel Wire (Behind the Glove Box)
	108 (RHD)	
IO1	108 (RHD)	Engine Room Main Wire and Instrument Panel Wire (Left Side of the Instrument Panel)
IR1	108 (RHD)	Instrument Panel Wire and Cowl Wire (Right Side of the Instrument Panel)

: Ground Points

Code	See Page	Ground Points Location
EC	84 (*6)	Engine Compartment Left
	104 (*10)	
EI	84 (*6)	Near the Starter
	104 (*10)	
IL	86 (LHD)	Behind the Combination Meter
	106 (RHD)	
IP	86 (LHD)	Right Kick Panel
	106 (RHD)	

: Splice Points

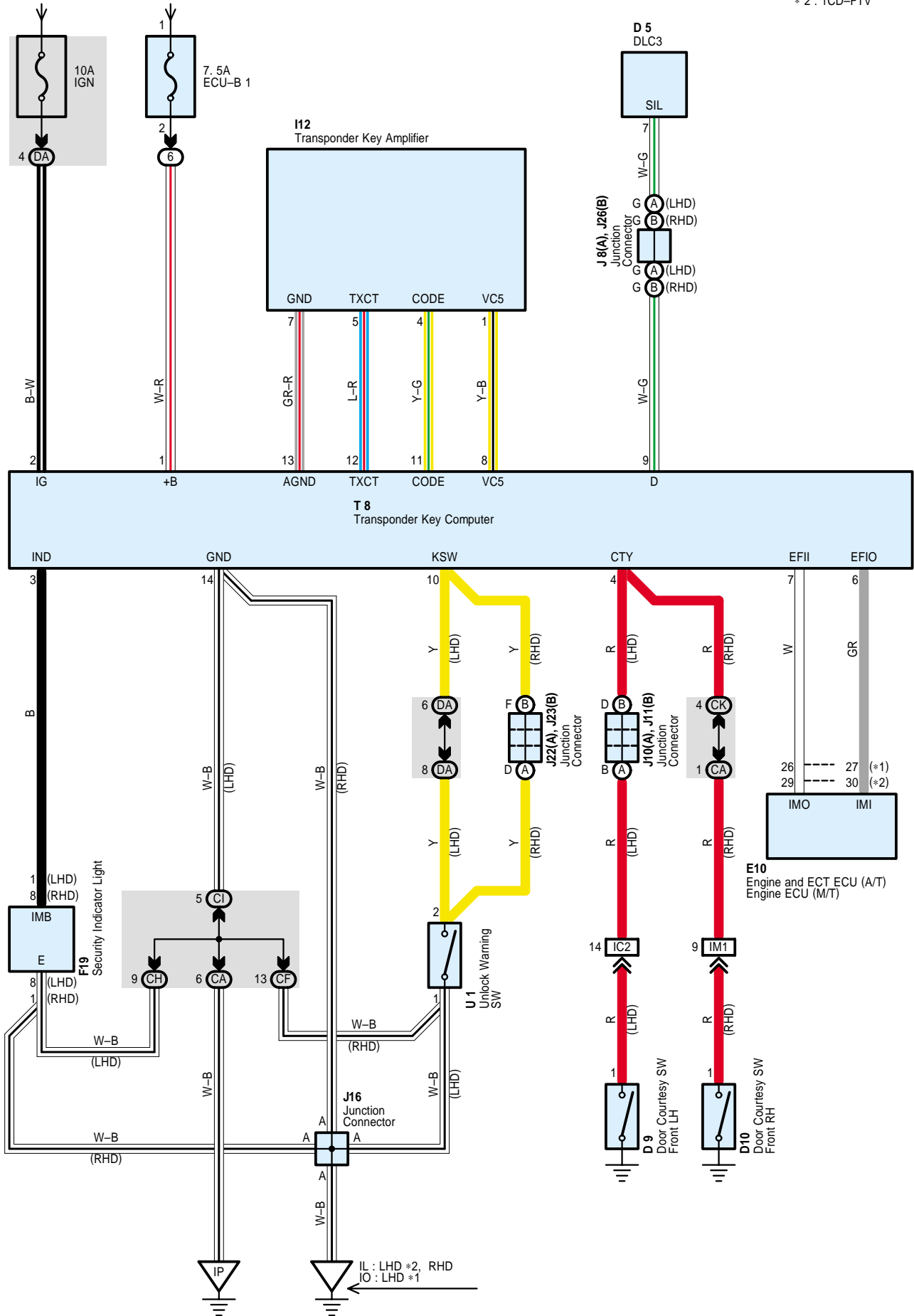
Code	See Page	Wire Harness with Splice Points	Code	See Page	Wire Harness with Splice Points
E3	84 (*6)	Engine Wire	I3	108 (RHD)	Engine Wire
	104 (*10)		I4		
I3	88 (LHD)				

* 1 : Gasoline * 2 : 1CD-FTV * 3 : LHD 1AZ-FSE * 4 : LHD 1AZ-FE * 5 : LHD 1ZZ-FE, 3ZZ-FE * 6 : LHD 1CD-FTV
 * 7 : RHD 1AZ-FSE * 8 : RHD 1AZ-FE * 9 : RHD 1ZZ-FE, 3ZZ-FE * 10 : RHD 1CD-FTV

Engine Immobiliser System

From Power Source System (See Page 120)

* 1 : Gasoline
* 2 : 1CD-FTV



Service Hints

T8 Transponder Key Computer

- 1-Ground : Always approx. 12 volts
- 2-Ground : Approx. 12 volts with the ignition SW at ON position
- 14-Ground : Always continuity

U1 Unlock Warning SW

- 2-1 : Closed with the ignition key in cylinder

○ : Parts Location

Code	See Page	Code	See Page	Code	See Page
D5	47 (LHD)	E10	67 (RHD)	J16	68 (RHD)
	67 (RHD)	F19	47 (LHD)	J22	A 68 (RHD)
D9	50 (LHD S/D)		67 (RHD)	J23	B 68 (RHD)
	52 (LHD L/B)	I12	47 (LHD)	J26	B 68 (RHD)
	54 (LHD W/G)		67 (RHD)	T8	49 (LHD)
D10	70 (RHD S/D)	J8	A 48 (LHD)		U1
	72 (RHD L/B)	J10	A 48 (LHD)	49 (LHD)	
	74 (RHD W/G)	J11	B 48 (LHD)	69 (RHD)	
E10	47 (LHD)	J16	48 (LHD)		

○ : Relay Blocks

Code	See Page	Relay Blocks (Relay Block Location)
6	29	Fuse Block (Lower Finish Panel)

○ : Junction Block and Wire Harness Connector

Code	See Page	Junction Block and Wire Harness (Connector Location)
CA	34	Instrument Panel Wire and Center J/B (Instrument Panel Reinforcement RH)
CF		
CH	35	
CI		
CK		
DA	30	Instrument Panel Wire and Driver Side J/B (Left Side of the Instrument Panel)

□ : Connector Joining Wire Harness and Wire Harness

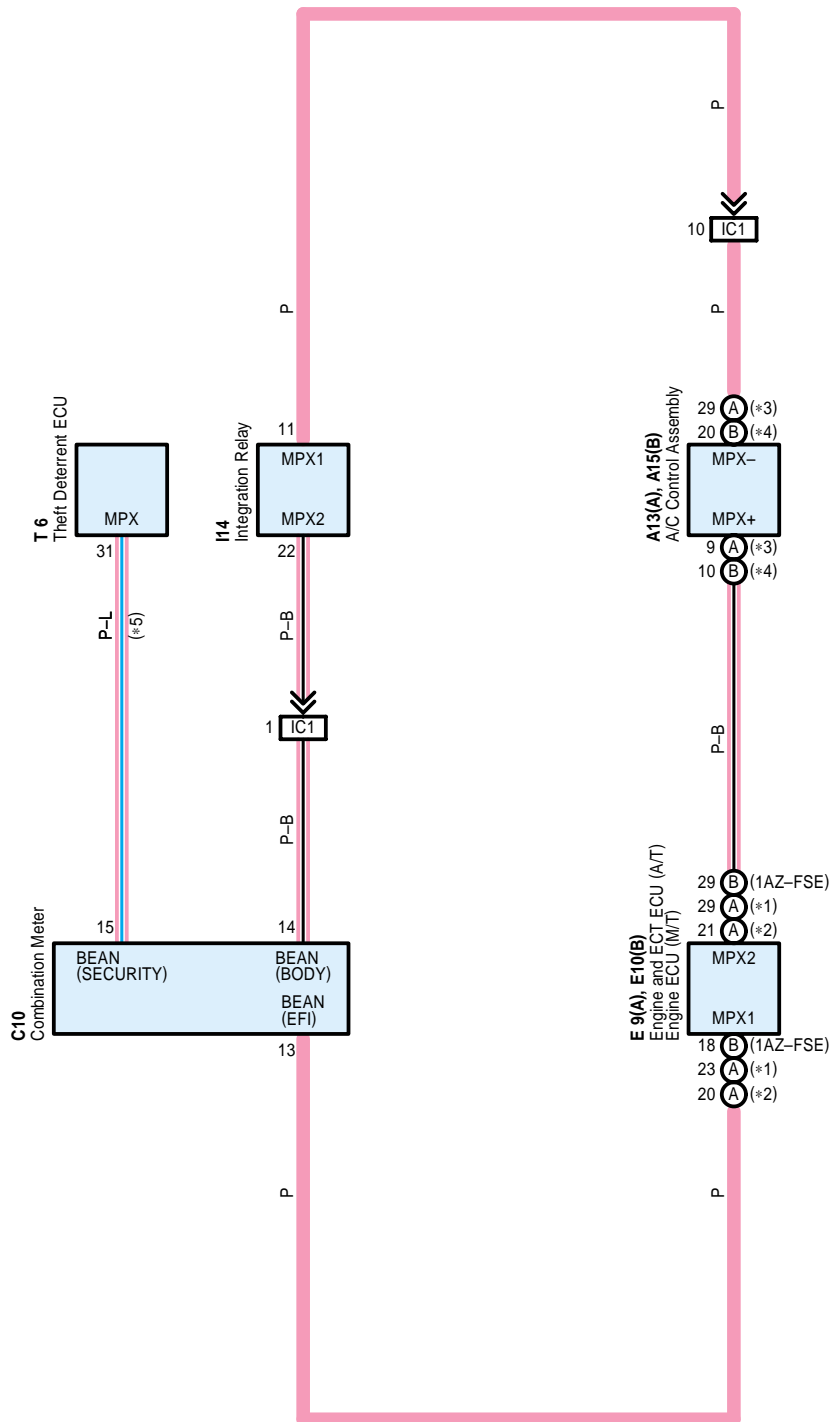
Code	See Page	Joining Wire Harness and Wire Harness (Connector Location)
IC2	86 (LHD)	Instrument Panel Wire and Floor Wire (Left Kick Panel)
IM1	108 (RHD)	Instrument Panel Wire and Floor No.2 Wire (Right Kick Panel)

▽ : Ground Points

Code	See Page	Ground Points Location
IL	86 (LHD)	Behind the Combination Meter
	106 (RHD)	
IO	86 (LHD)	Instrument Panel Reinforcement RH
IP	86 (LHD)	Right Kick Panel
	106 (RHD)	

Multiplex Communication System (Communication Bus)

- * 1 : 1AZ-FE, 1ZZ-FE, 3ZZ-FE
- * 2 : 1CD-FTV
- * 3 : Except Automatic A/C
- * 4 : Automatic A/C
- * 5 : w/ Theft Deterrent



System Outline

The multiplex communication system communicates among the integration relay, A/C control assembly, engine and ECT ECU (A/T), engine ECU (M/T), combination meter, theft deterrent ECU and controls the following systems according to the signals from respective sensors or switches.

Multiplex Communication System Includes Following Systems

- * Door Lock Control
- * Double Locking
- * Headlight (w/ Daytime Running Light)
- * Interior Light
- * Key Reminder
- * Light Reminder
- * Seat Belt Warning
- * Theft Deterrent
- * Wireless Door Lock Control

○ : Parts Location

Code	See Page	Code	See Page	Code	See Page	
A13	A	46 (LHD)	C10	66 (RHD)	I14	47 (LHD)
		66 (RHD)		E9		A
A15	B	46 (LHD)	E10	B	T6	69 (RHD)
		66 (RHD)				47 (LHD)
C10	46 (LHD)			67 (RHD)		

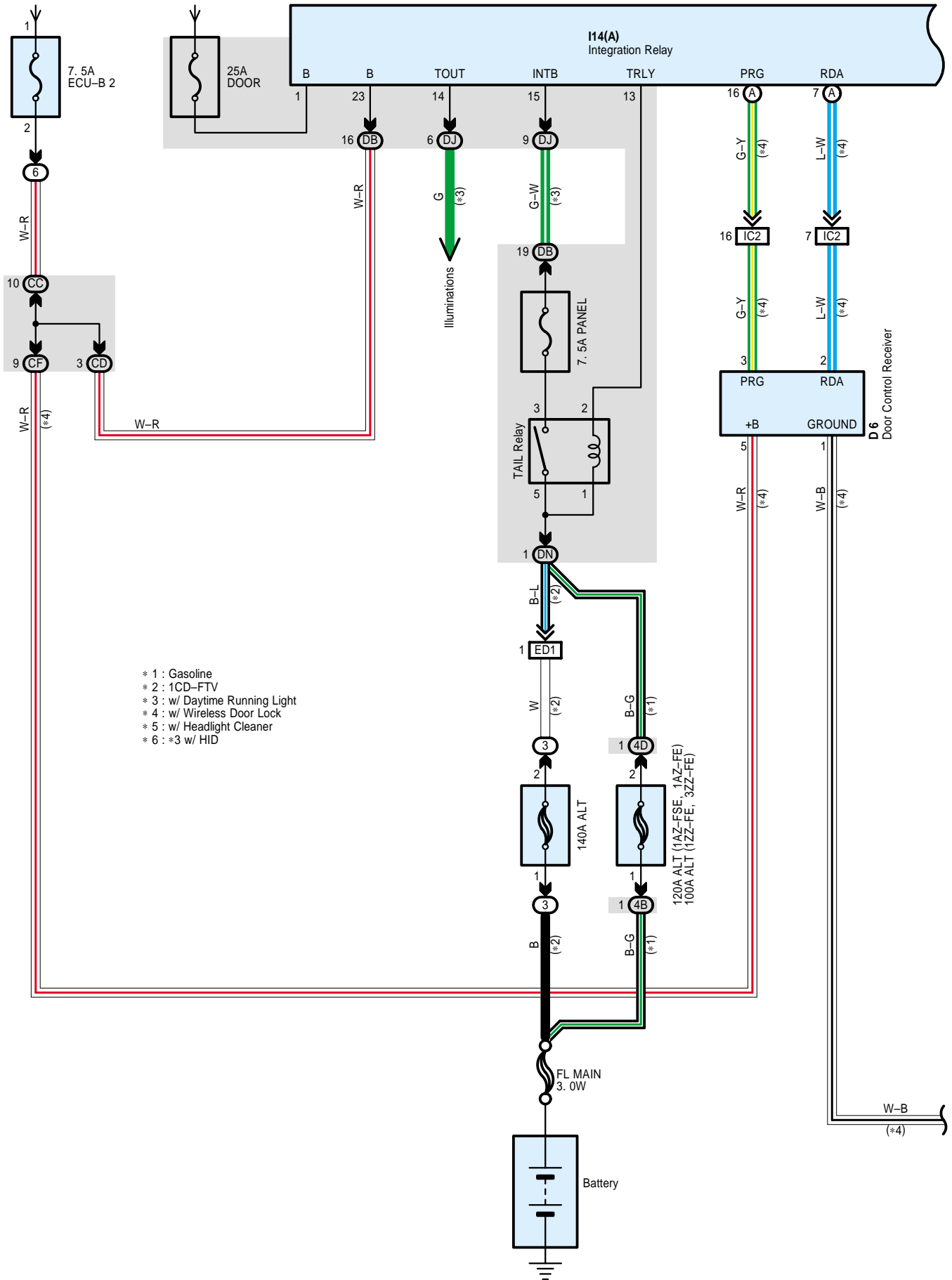
□ : Connector Joining Wire Harness and Wire Harness

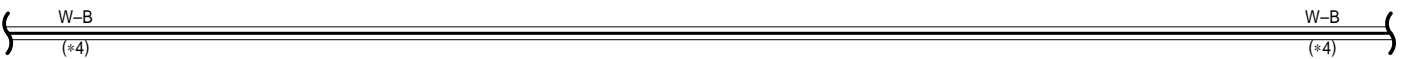
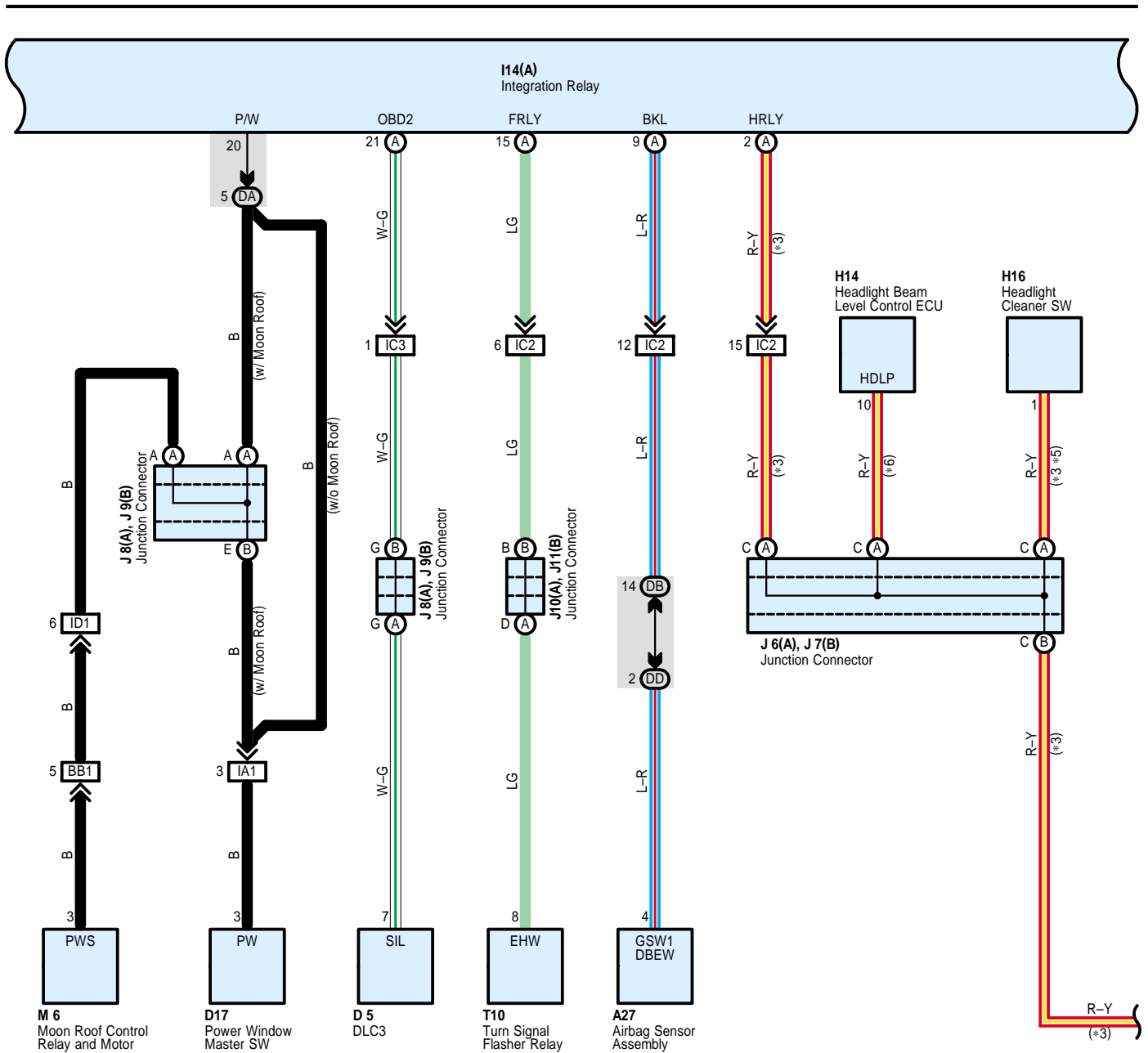
Code	See Page	Joining Wire Harness and Wire Harness (Connector Location)
IC1	86 (LHD)	Instrument Panel Wire and Floor Wire (Left Kick Panel)
	106 (RHD)	

* 1 : Gasoline * 2 : 1CD-FTV * 3 : LHD 1AZ-FSE * 4 : LHD 1AZ-FE * 5 : LHD 1ZZ-FE, 3ZZ-FE * 6 : LHD 1CD-FTV
 * 7 : RHD 1AZ-FSE * 8 : RHD 1AZ-FE * 9 : RHD 1ZZ-FE, 3ZZ-FE * 10 : RHD 1CD-FTV

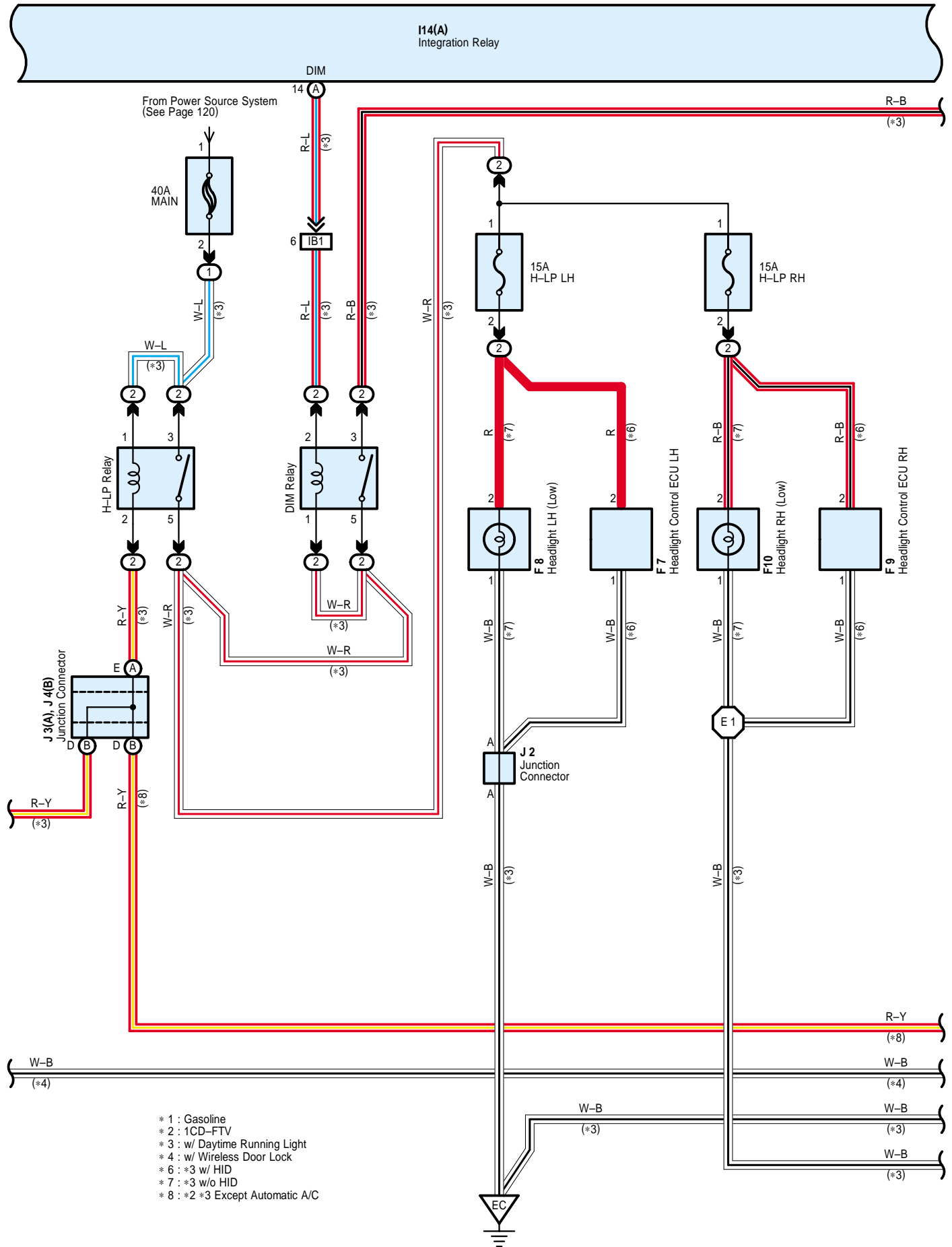
Multiplex Communication System (LHD)

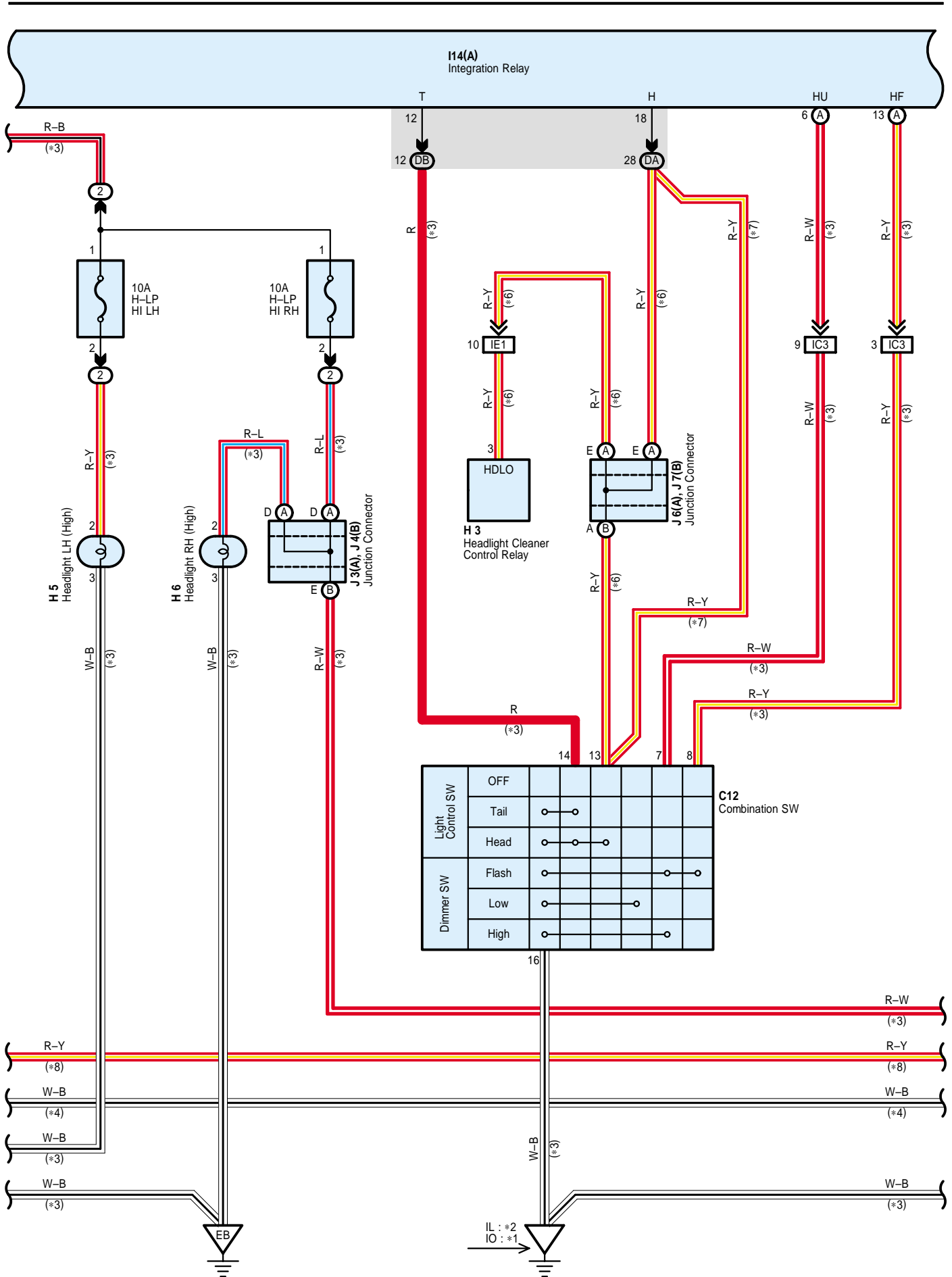
From Power Source System (See Page 120)



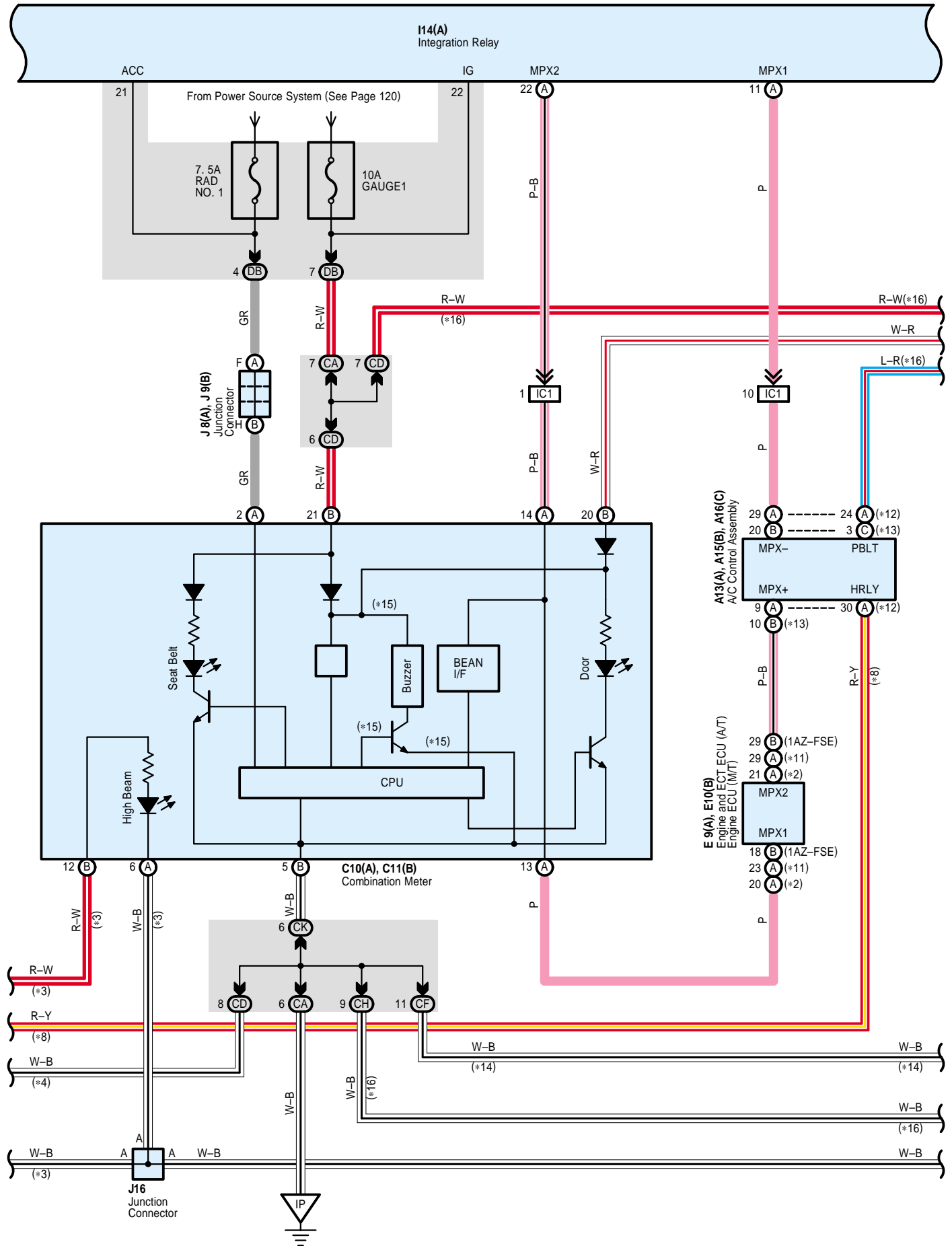


Multiplex Communication System (LHD)

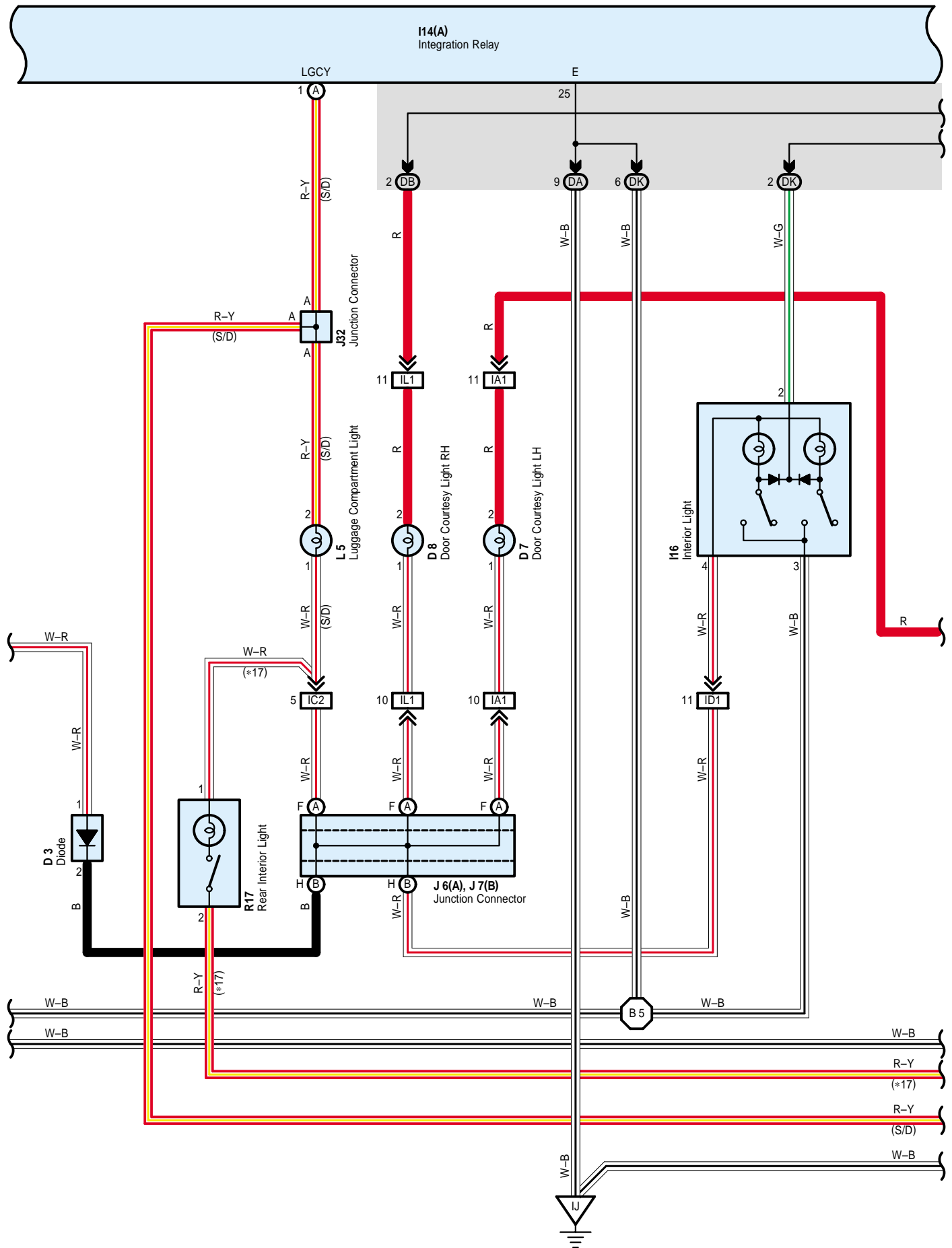


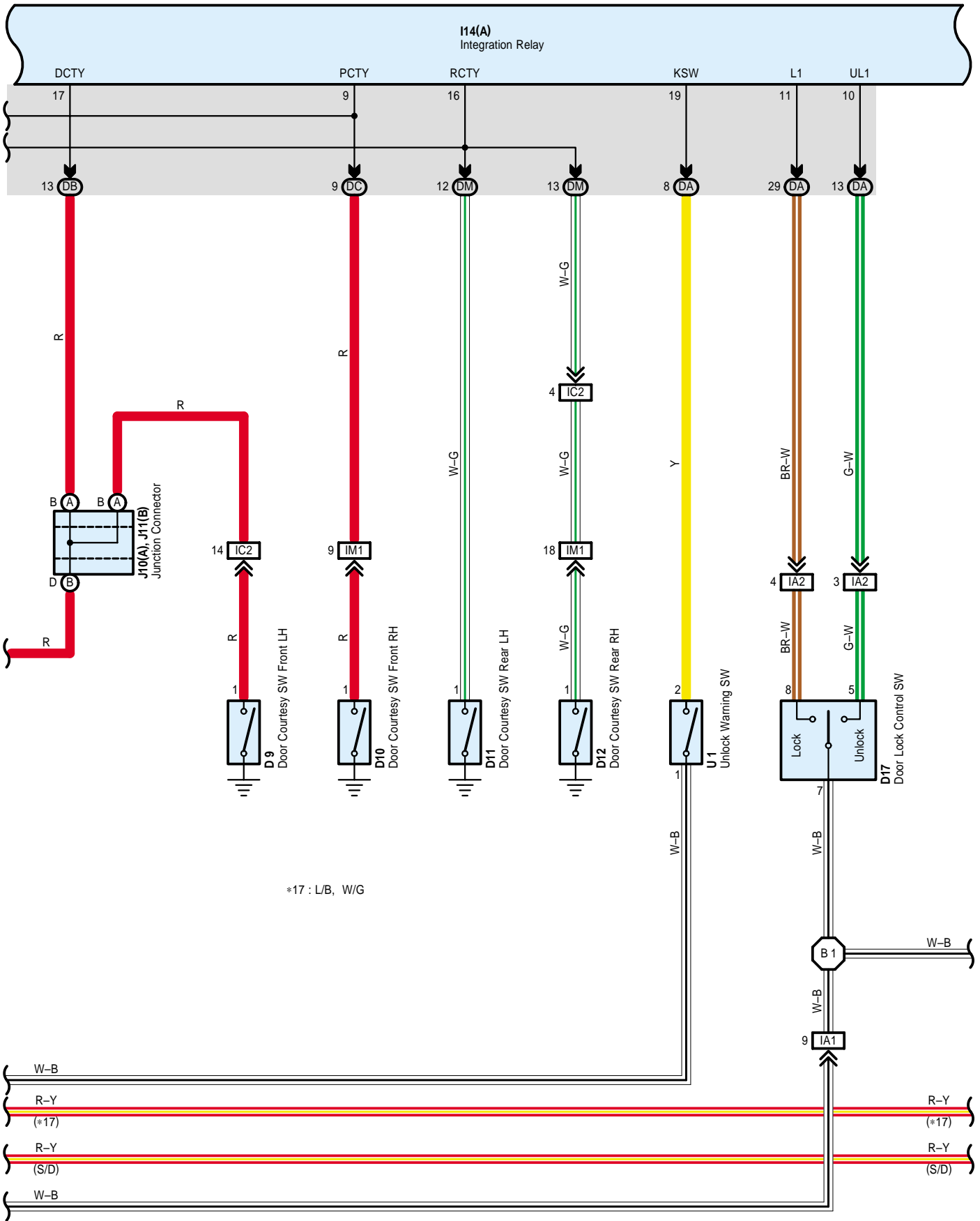


Multiplex Communication System (LHD)

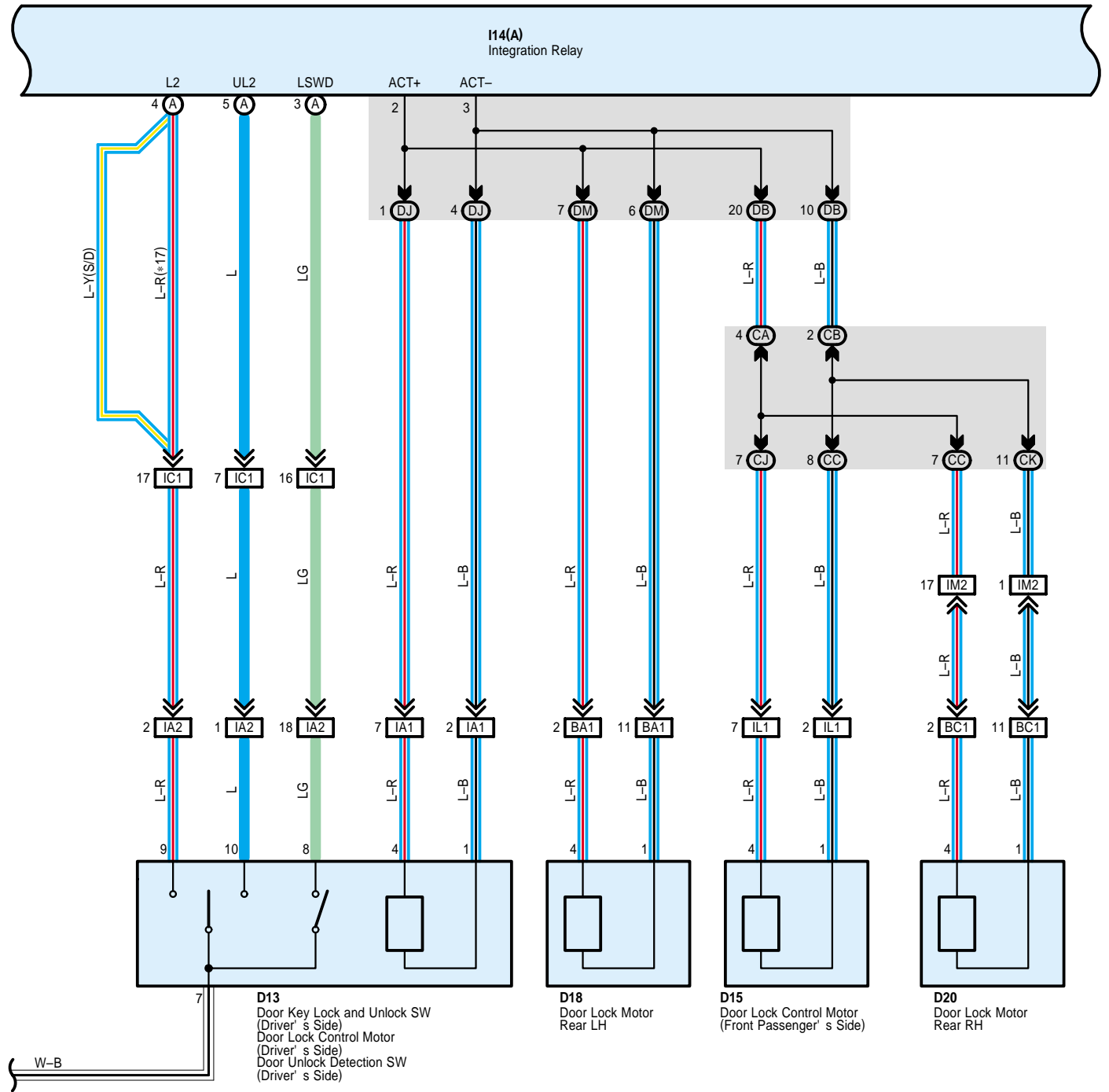


Multiplex Communication System (LHD)



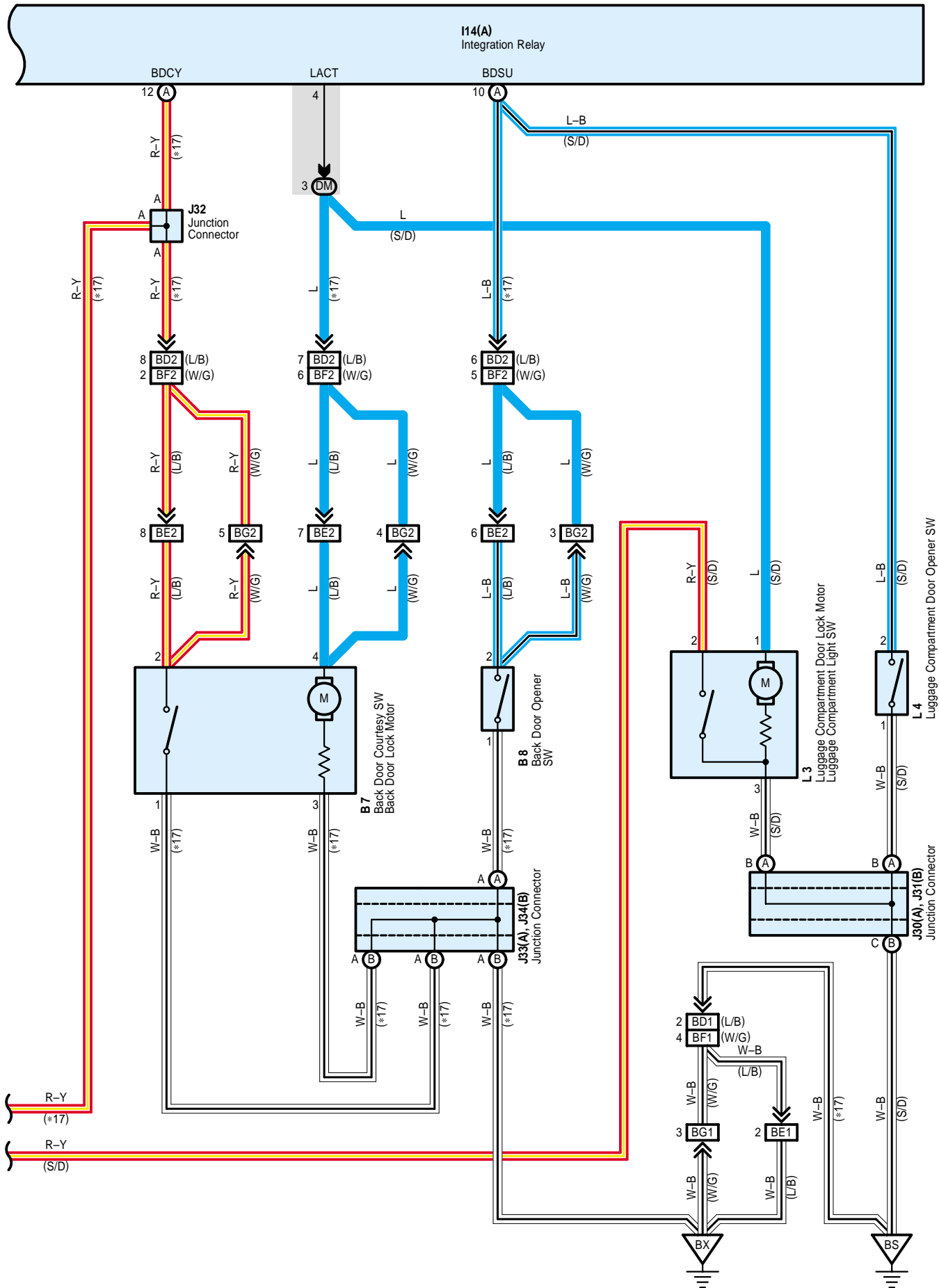


Multiplex Communication System (LHD)



*17 : L/B, W/G





Multiplex Communication System (LHD)

Service Hints

Integration Relay

22-Ground : Approx. 12 volts with ignition SW at ON position

25-Ground : Always continuity

1, 23-Ground : Always approx. 12 volts

○ : Parts Location

Code	See Page	Code	See Page	Code	See Page
A13	A	46 (LHD)		D17	54 (LHD W/G)
A15	B	46 (LHD)			50 (LHD S/D)
A16	C	46 (LHD)		D18	52 (LHD L/B)
A27		46 (LHD)			54 (LHD W/G)
B7		52 (LHD L/B)		D20	50 (LHD S/D)
		54 (LHD W/G)			52 (LHD L/B)
B8		52 (LHD L/B)			54 (LHD W/G)
		54 (LHD W/G)		E8	47 (LHD)
B10		56 (LHD)	E9	A	47 (LHD)
C10	A	46 (LHD)	E10	B	47 (LHD)
C11	B	46 (LHD)			38 (*3)
C12		46 (LHD)		F7	42 (*5)
D3		47 (LHD)			44 (*6)
D5		47 (LHD)		F8	38 (*3)
D6		47 (LHD)			42 (*5)
D7		50 (LHD S/D)			44 (*6)
		52 (LHD L/B)		F9	38 (*3)
		54 (LHD W/G)			42 (*5)
D8		50 (LHD S/D)			44 (*6)
		52 (LHD L/B)		F10	38 (*3)
		54 (LHD W/G)			42 (*5)
D9		50 (LHD S/D)			44 (*6)
		52 (LHD L/B)	F19	47 (LHD)	
		54 (LHD W/G)		H3	38 (*3)
D10		50 (LHD S/D)			42 (*5)
		52 (LHD L/B)			44 (*6)
		54 (LHD W/G)		H5	38 (*3)
D11		50 (LHD S/D)			42 (*5)
		52 (LHD L/B)			44 (*6)
		54 (LHD W/G)		H6	38 (*3)
D12		50 (LHD S/D)			42 (*5)
		52 (LHD L/B)			44 (*6)
		54 (LHD W/G)	H14	47 (LHD)	
D13		50 (LHD S/D)	H16	47 (LHD)	
		52 (LHD L/B)	I11	A	47 (LHD)
		54 (LHD W/G)	I12	B	47 (LHD)
D15		50 (LHD S/D)	I14	A	47 (LHD)
		52 (LHD L/B)		I16	50 (LHD S/D)
		54 (LHD W/G)			52 (LHD L/B)
D17		50 (LHD S/D)			54 (LHD W/G)
		52 (LHD L/B)	J2	39 (*3)	

* 1 : Gasoline * 2 : 1CD-FTV * 3 : LHD 1AZ-FSE * 4 : LHD 1AZ-FE * 5 : LHD 1ZZ-FE, 3ZZ-FE * 6 : LHD 1CD-FTV
 * 7 : RHD 1AZ-FSE * 8 : RHD 1AZ-FE * 9 : RHD 1ZZ-FE, 3ZZ-FE * 10 : RHD 1CD-FTV

○ : Relay Blocks

Code	See Page	Relay Blocks (Relay Block Location)
1	24 (*1)	Engine Room R/B No.1 (Engine Compartment Left)
	25 (*2)	
2	26	Engine Room R/B No.2 (Near the Radiator Fan)
3	26	Engine Room R/B No.3 (Left Side of the Suspension Tower)
6	29	Fuse Block (Lower Finish Panel)

○ : Junction Block and Wire Harness Connector

Code	See Page	Junction Block and Wire Harness (Connector Location)
4B	27	Engine Room Main Wire and Engine Room J/B No.4 (Left Side of the Suspension Tower)
4D		
CA	34	Instrument Panel Wire and Center J/B (Instrument Panel Reinforcement RH)
CB		
CC		
CD		
CF		
CH		
CJ	35	
CK		
DA	30	Instrument Panel Wire and Driver Side J/B (Left Side of the Instrument Panel)
DB		
DC		
DD		
DJ		
DK	31	Roof Wire and Driver Side J/B (Left Side of the Instrument Panel)
DM	31	Floor Wire and Driver Side J/B (Left Side of the Instrument Panel)
DN	31	Engine Room Main Wire and Driver Side J/B (Left Side of the Instrument Panel)

* 1 : Gasoline * 2 : 1CD-FTV * 3 : LHD 1AZ-FSE * 4 : LHD 1AZ-FE * 5 : LHD 1ZZ-FE, 3ZZ-FE * 6 : LHD 1CD-FTV
 * 7 : RHD 1AZ-FSE * 8 : RHD 1AZ-FE * 9 : RHD 1ZZ-FE, 3ZZ-FE * 10 : RHD 1CD-FTV

Multiplex Communication System (LHD)

 : Connector Joining Wire Harness and Wire Harness

Code	See Page	Joining Wire Harness and Wire Harness (Connector Location)
ED1	84 (*6)	Engine Wire and Engine Room Main Wire (Left Side of the Suspension Tower)
IA1	86 (LHD)	Front Door LH Wire and Instrument Panel Wire (Left Kick Panel)
IA2		
IB1	86 (LHD)	Engine Room Main Wire and Floor Wire (Near the Driver Side J/B)
IC1	86 (LHD)	Instrument Panel Wire and Floor Wire (Left Kick Panel)
IC2		
IC3		
ID1	86 (LHD)	Instrument Panel Wire and Roof Wire (Left Side of the Instrument Panel)
IE1	86 (LHD)	Engine Room Main Wire and Instrument Panel Wire (Behind the Combination Meter)
IL1	88 (LHD)	Front Door RH Wire and Instrument Panel Wire (Right Kick Panel)
IM1	88 (LHD)	Instrument Panel Wire and Floor No.2 Wire (Right Kick Panel)
IM2		
BA1	90 (LHD S/D)	Rear Door No.2 Wire and Floor Wire (Under the Left Center Pillar)
	92 (LHD L/B)	
	94 (LHD W/G)	
BB1	90 (LHD S/D)	Roof Wire and Roof No.2 Wire (Near the Personal Light)
	92 (LHD L/B)	
	94 (LHD W/G)	
BC1	90 (LHD S/D)	Rear Door No.1 Wire and Floor No.2 Wire (Under the Right Center Pillar)
	92 (LHD L/B)	
	94 (LHD W/G)	
BD1	92 (LHD L/B)	Back Door No.1 Wire and Floor Wire (Under the Left Quarter Pillar)
BD2		
BE1	92 (LHD L/B)	Back Door No.2 Wire and Back Door No.1 Wire (Back Door Upper Left)
BE2		
BF1	94 (LHD W/G)	Back Door No.1 Wire and Floor Wire (Under the Left Quarter Pillar)
BF2		
BG1	94 (LHD W/G)	Back Door No.1 Wire and Back Door No.2 Wire (Back Door Left)
BG2		

 : Ground Points

Code	See Page	Ground Points Location
EB	78 (*3)	Engine Compartment Right
	82 (*5)	
	84 (*6)	
EC	78 (*3)	Engine Compartment Left
	82 (*5)	
	84 (*6)	
IJ	86 (LHD)	Left Kick Panel
IL	86 (LHD)	Behind the Combination Meter
IO	86 (LHD)	Instrument Panel Reinforcement RH
IP	86 (LHD)	Right Kick Panel
BS	90 (LHD S/D)	Lower Back Panel Left
	92 (LHD L/B)	
	94 (LHD W/G)	
BV	90 (LHD S/D)	Under the Right Center Pillar
	92 (LHD L/B)	
	94 (LHD W/G)	
BX	92 (LHD L/B)	Right Side of the Back Door
	94 (LHD W/G)	

* 1 : Gasoline * 2 : 1CD-FTV * 3 : LHD 1AZ-FSE * 4 : LHD 1AZ-FE * 5 : LHD 1ZZ-FE, 3ZZ-FE * 6 : LHD 1CD-FTV
 * 7 : RHD 1AZ-FSE * 8 : RHD 1AZ-FE * 9 : RHD 1ZZ-FE, 3ZZ-FE * 10 : RHD 1CD-FTV



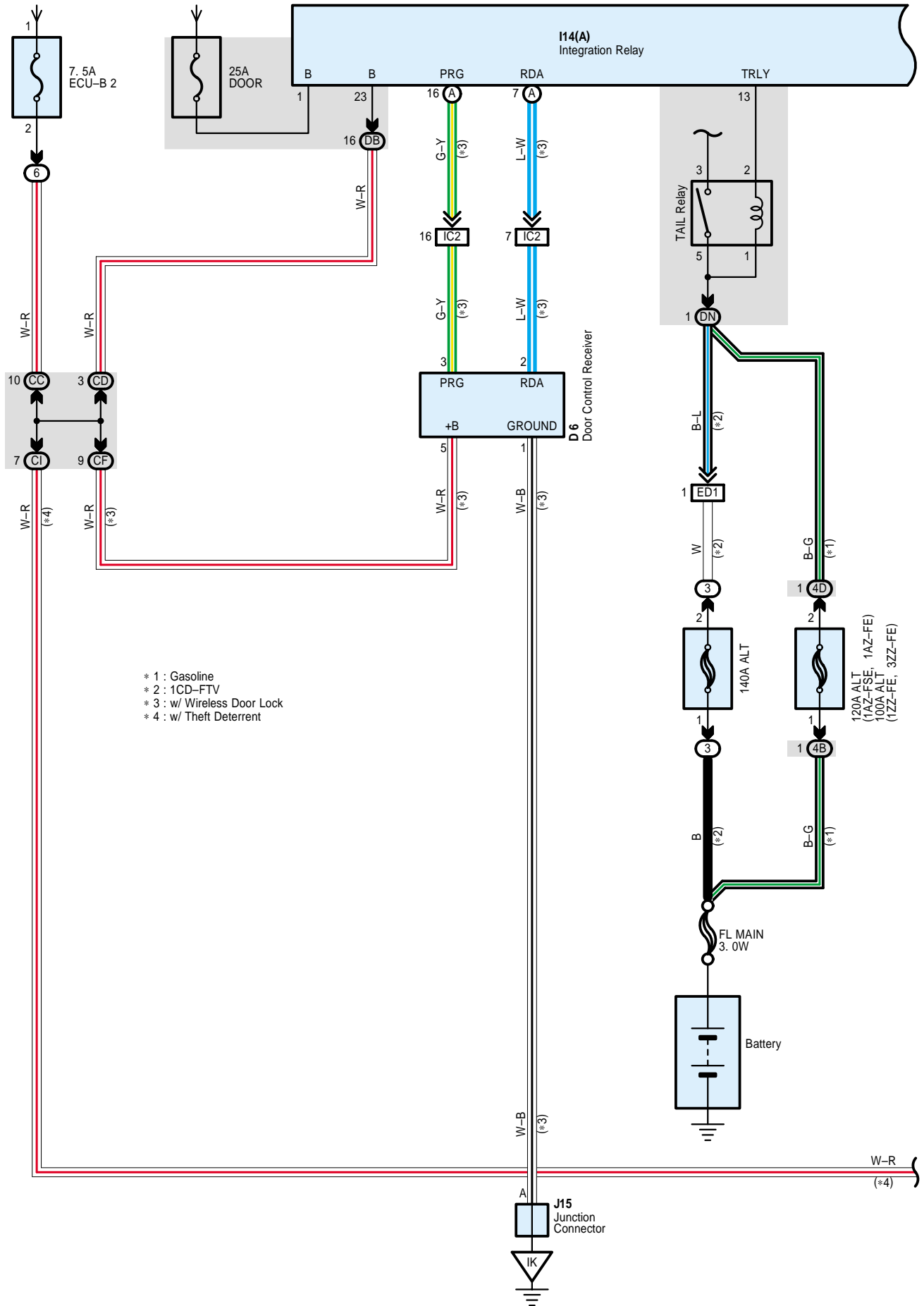
: Splice Points

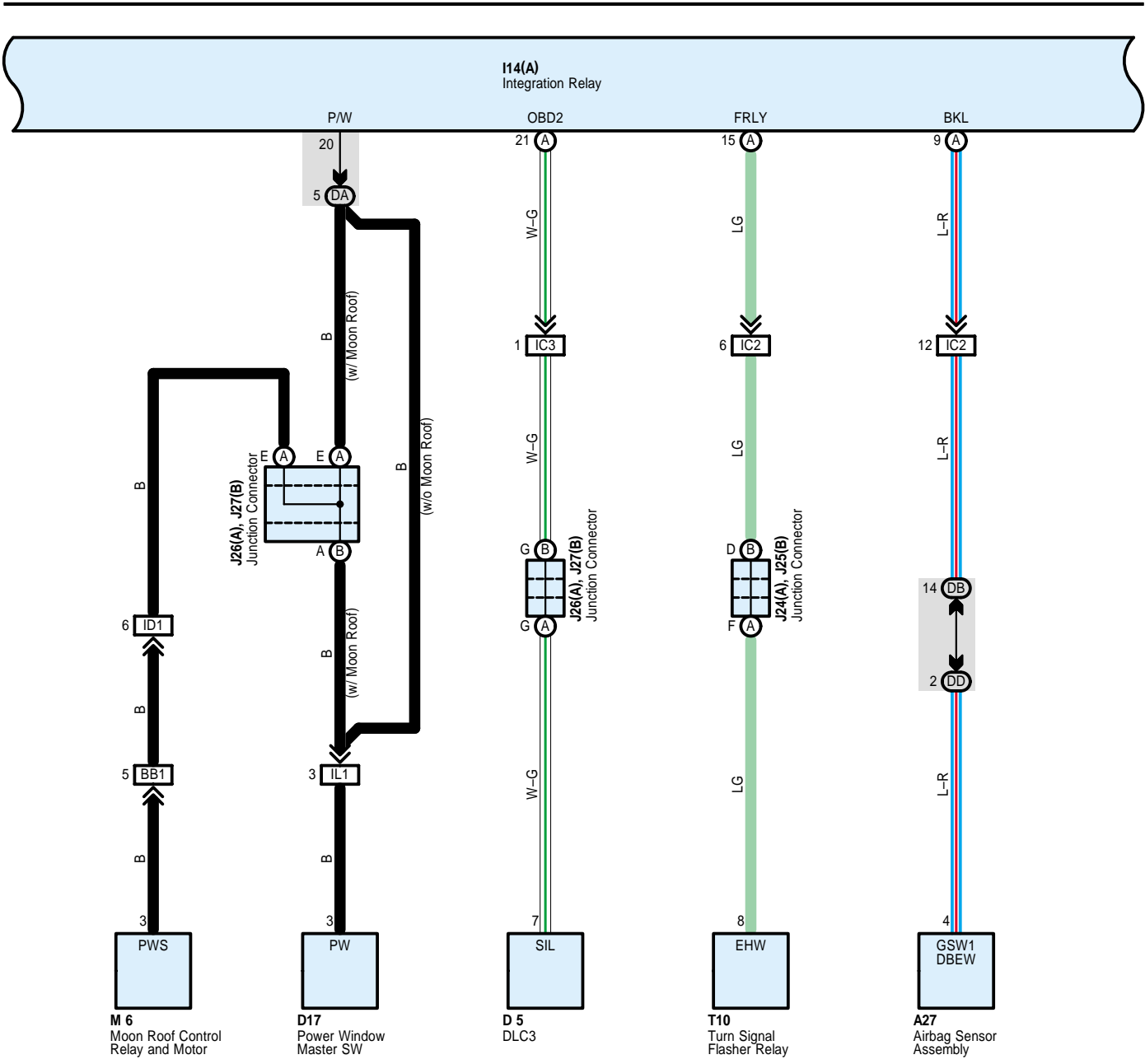
Code	See Page	Wire Harness with Splice Points	Code	See Page	Wire Harness with Splice Points
E1	78 (*3)	Engine Room Main Wire	B1	94 (LHD W/G)	Front Door LH Wire
	82 (*5)		B5	90 (LHD S/D)	Roof Wire
	84 (*6)			92 (LHD L/B)	
B1	90 (LHD S/D)	Front Door LH Wire		94 (LHD W/G)	
	92 (LHD L/B)				

* 1 : Gasoline * 2 : 1CD-FTV * 3 : LHD 1AZ-FSE * 4 : LHD 1AZ-FE * 5 : LHD 1ZZ-FE, 3ZZ-FE * 6 : LHD 1CD-FTV
* 7 : RHD 1AZ-FSE * 8 : RHD 1AZ-FE * 9 : RHD 1ZZ-FE, 3ZZ-FE * 10 : RHD 1CD-FTV

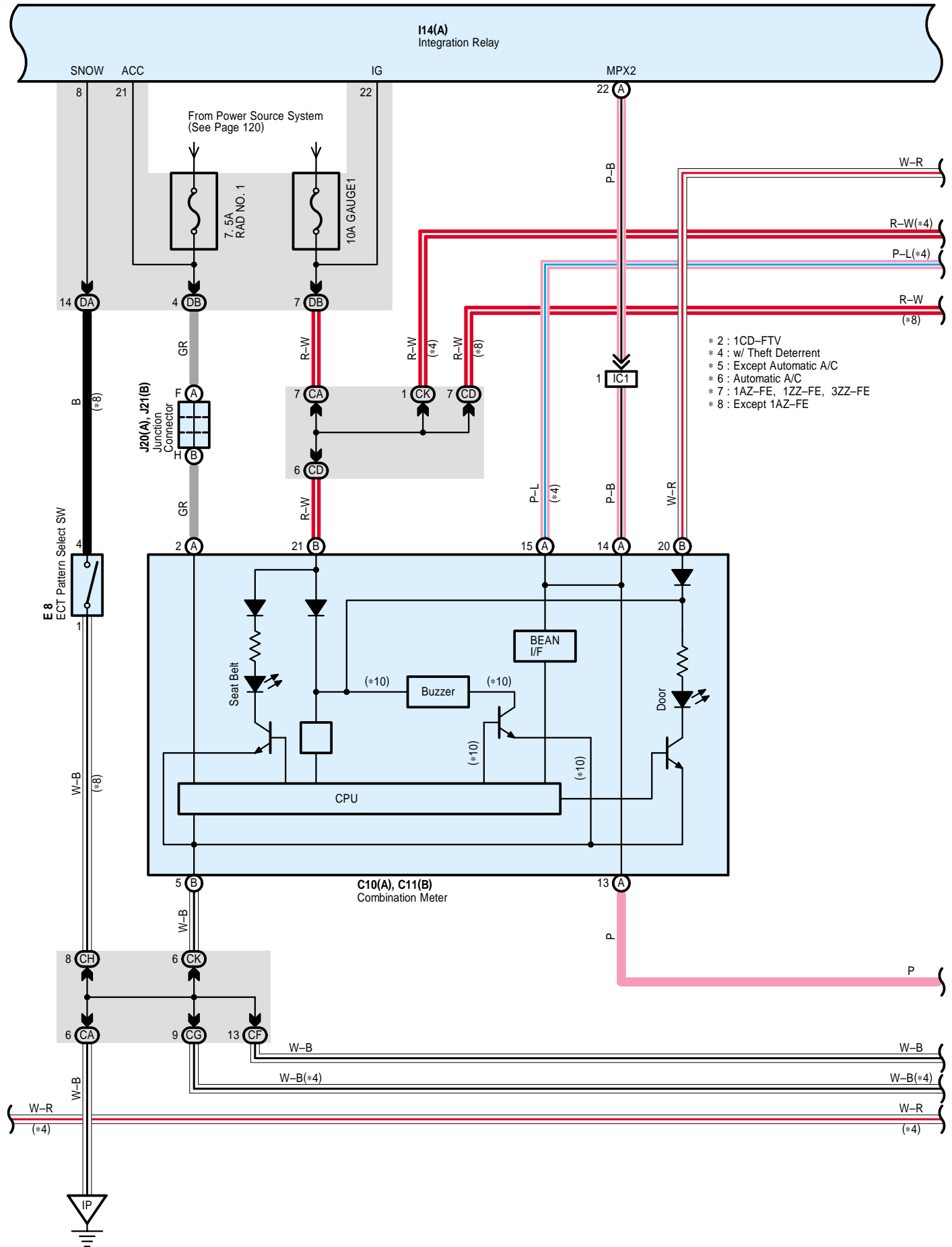
Multiplex Communication System (RHD)

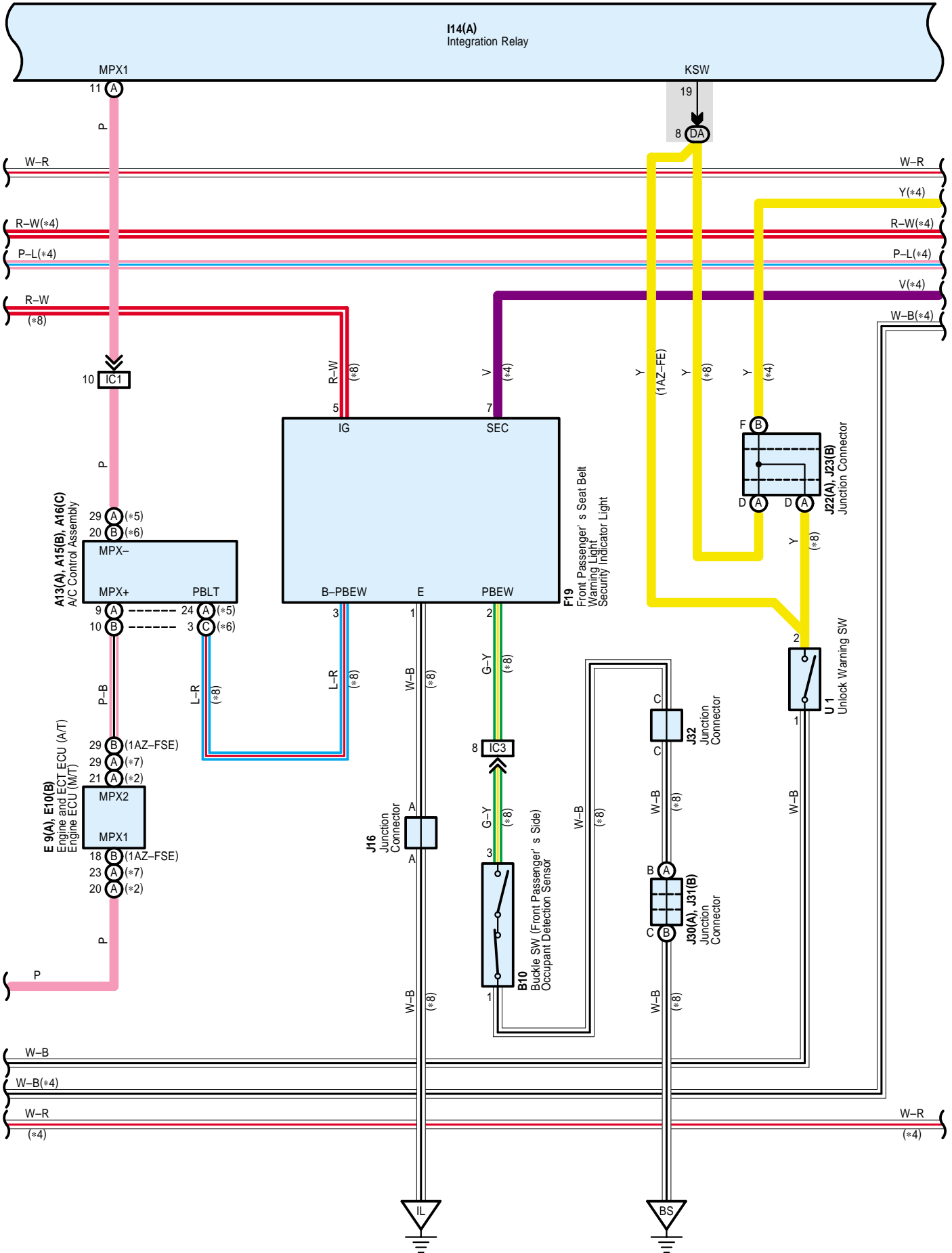
From Power Source System (See Page 120)



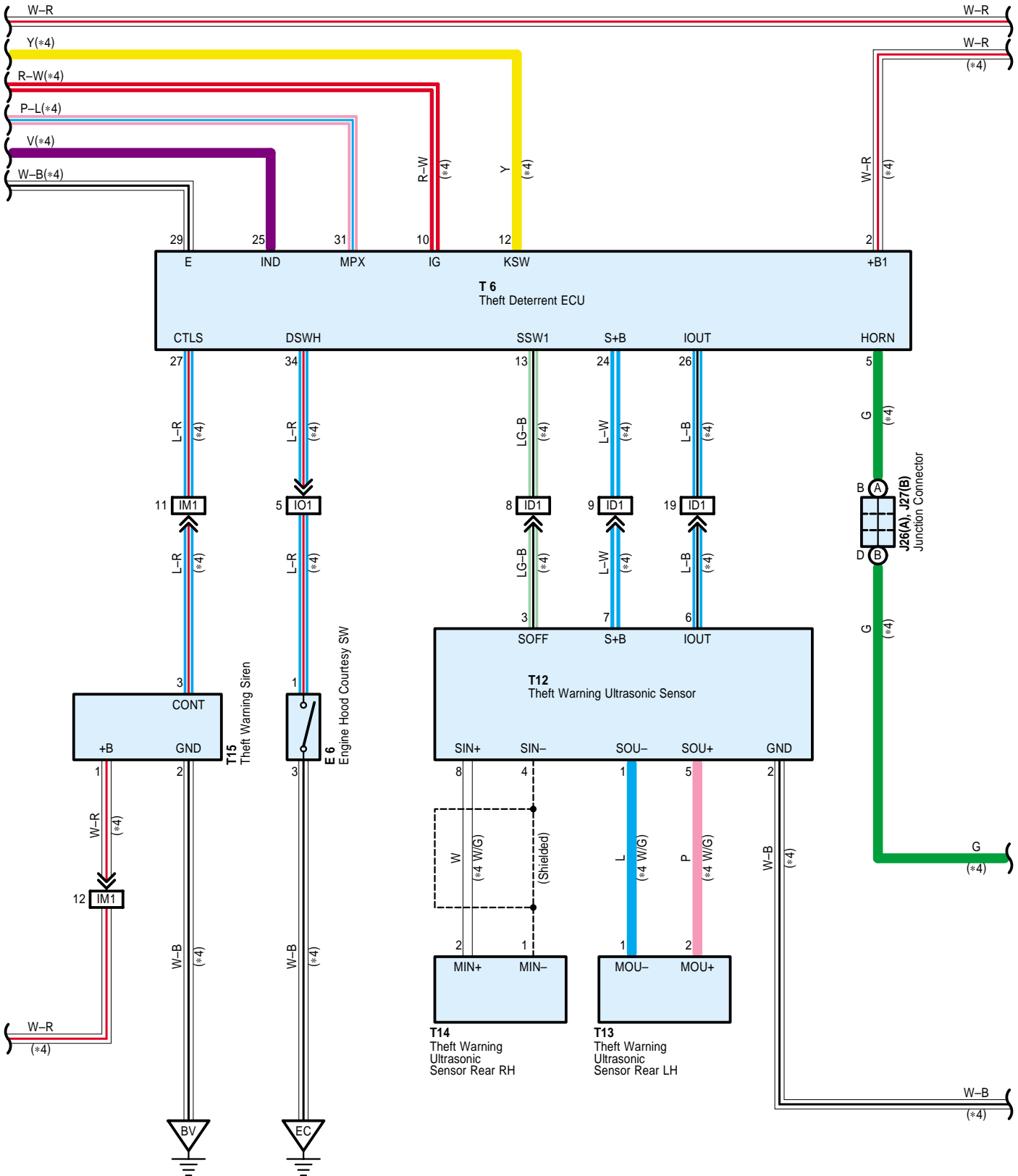
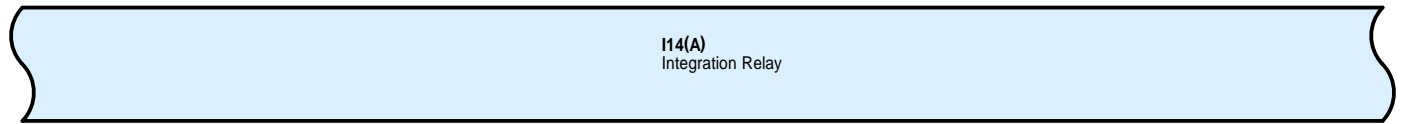


Multiplex Communication System (RHD)

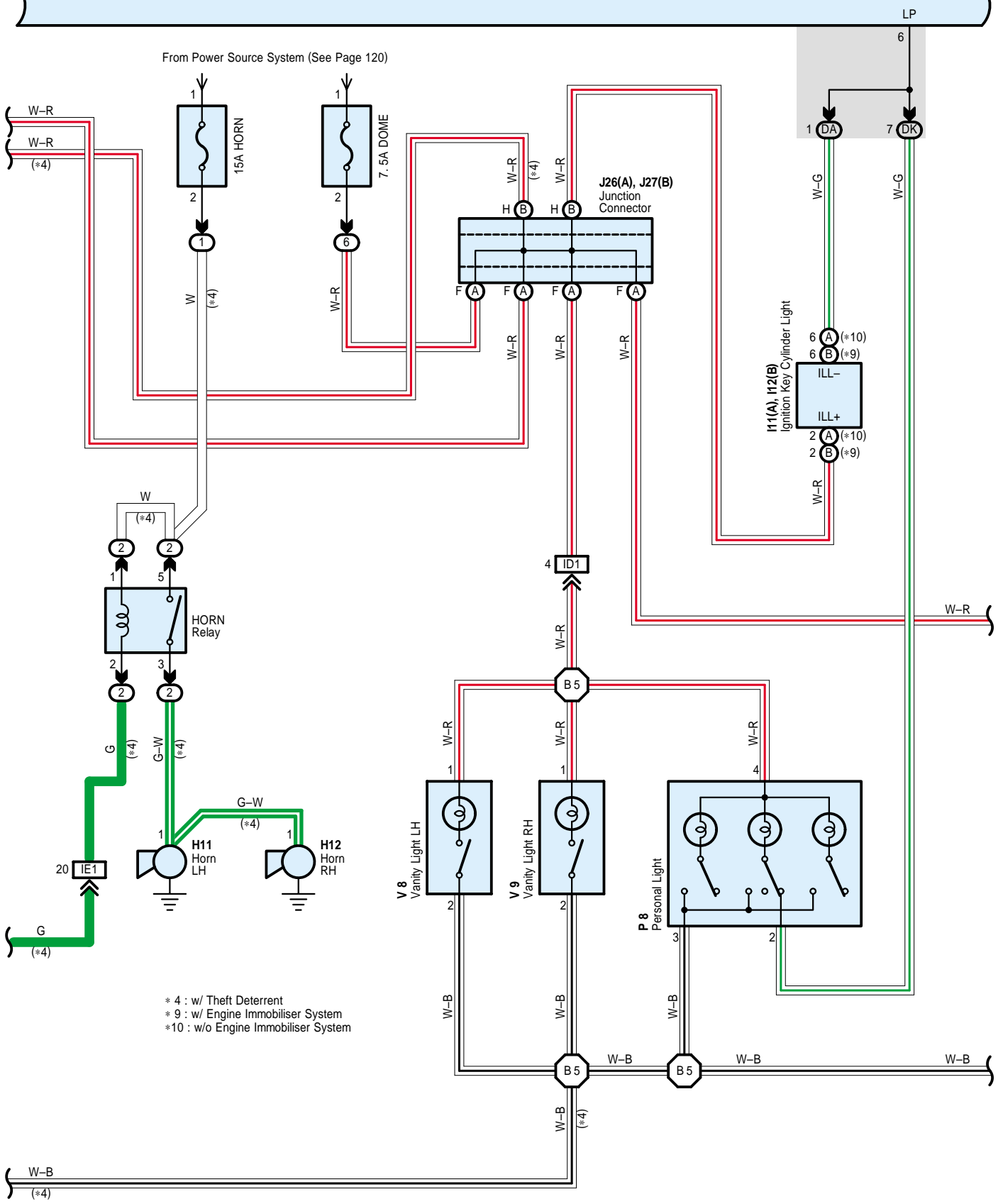




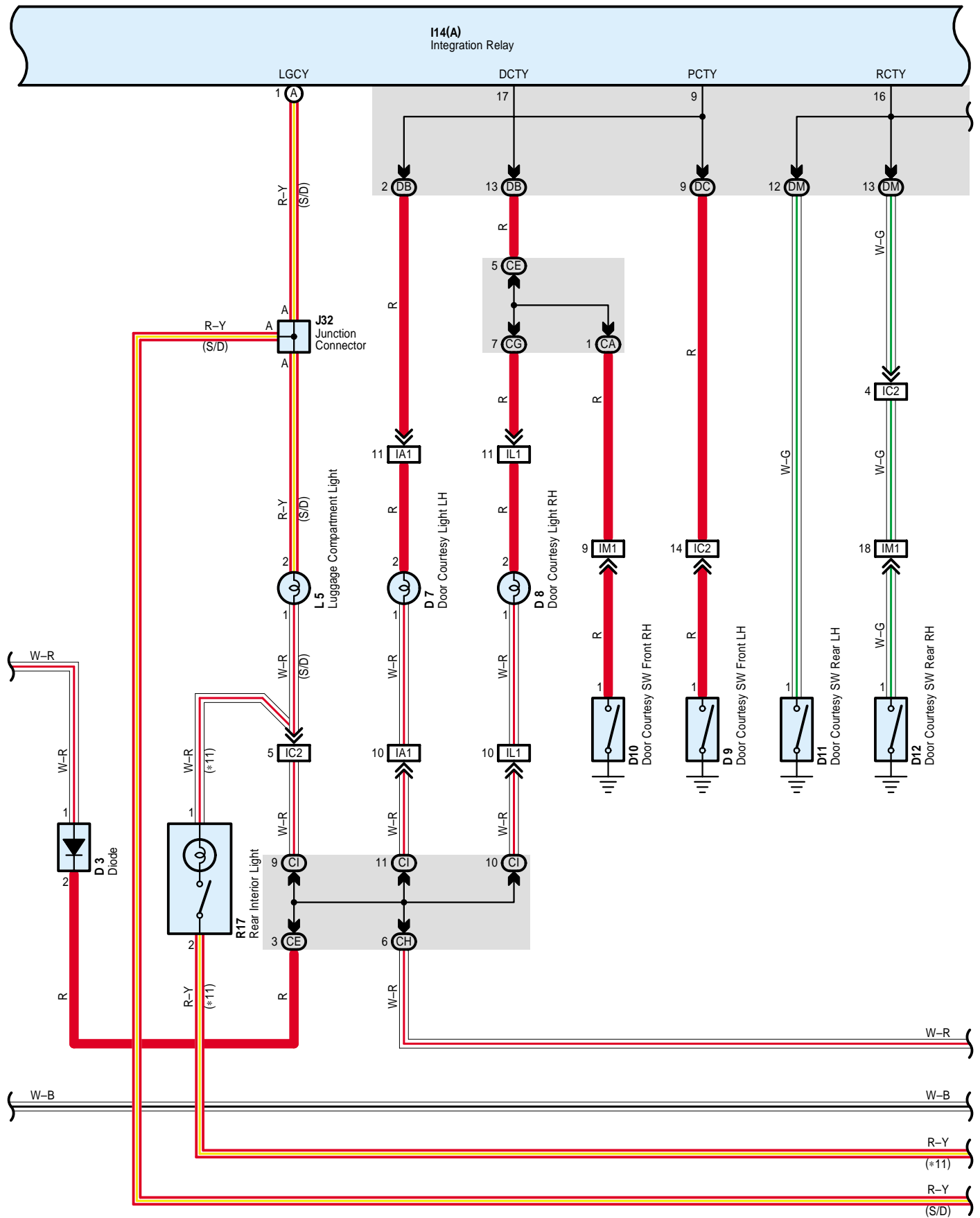
Multiplex Communication System (RHD)

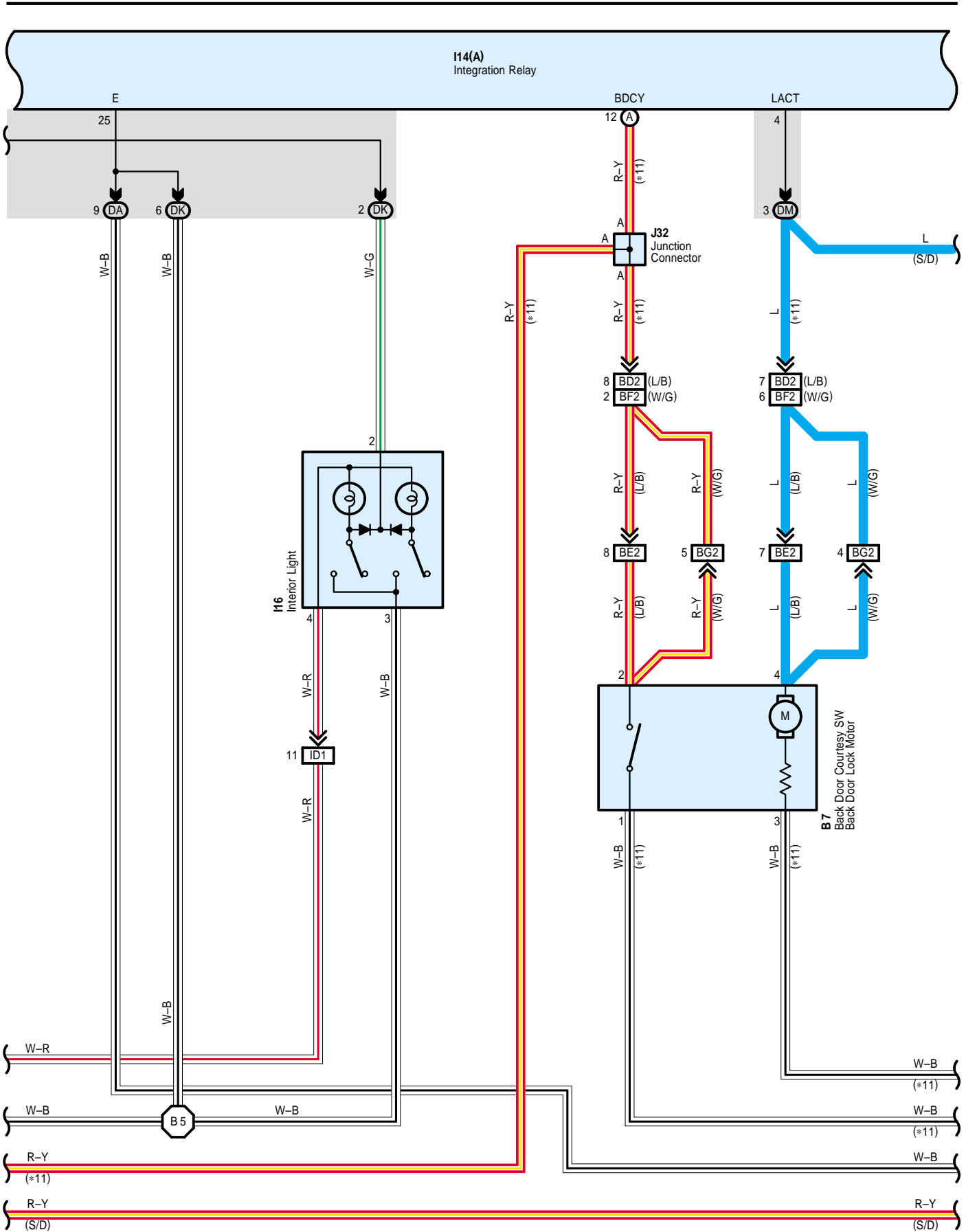


I14(A)
Integration Relay

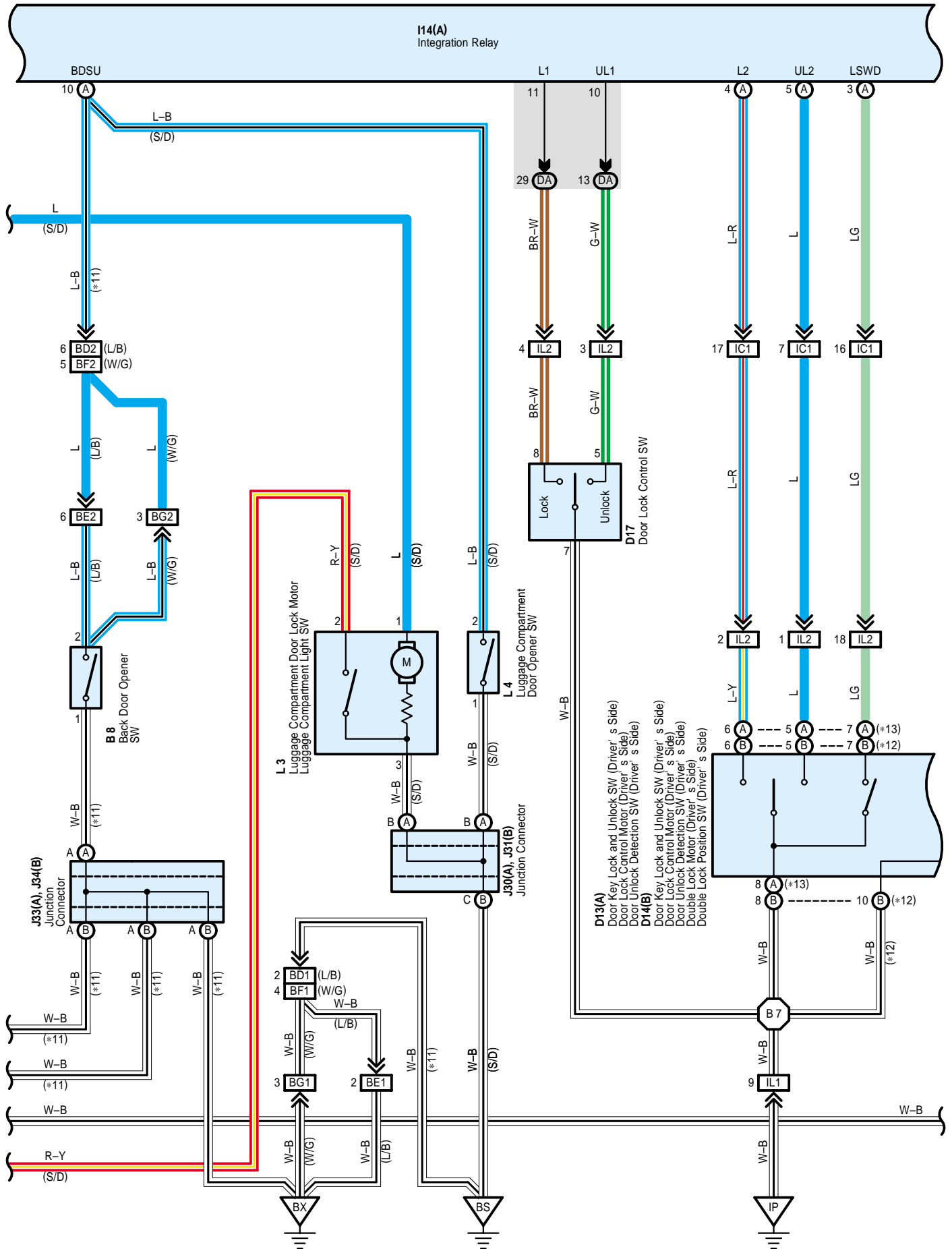


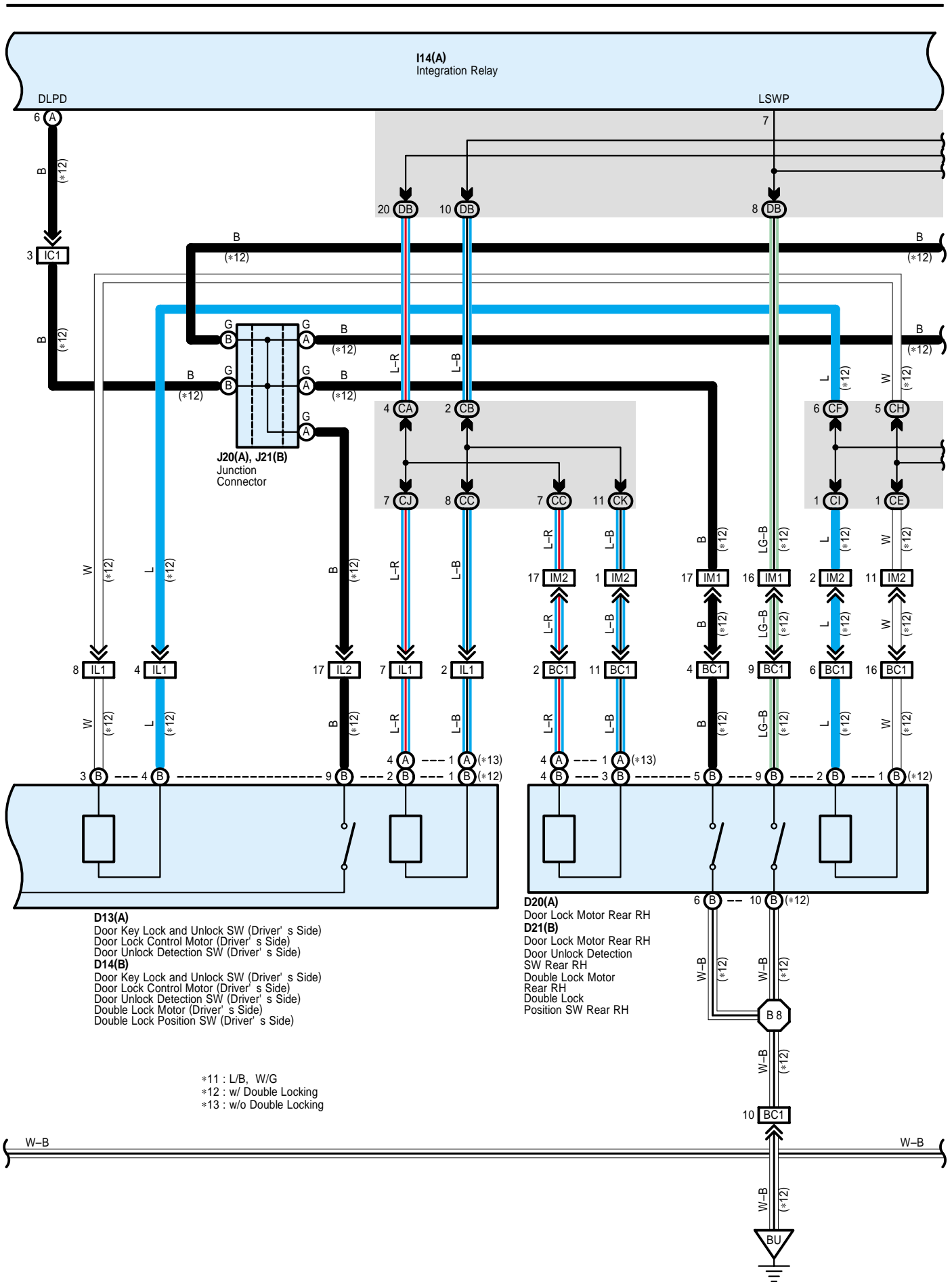
Multiplex Communication System (RHD)



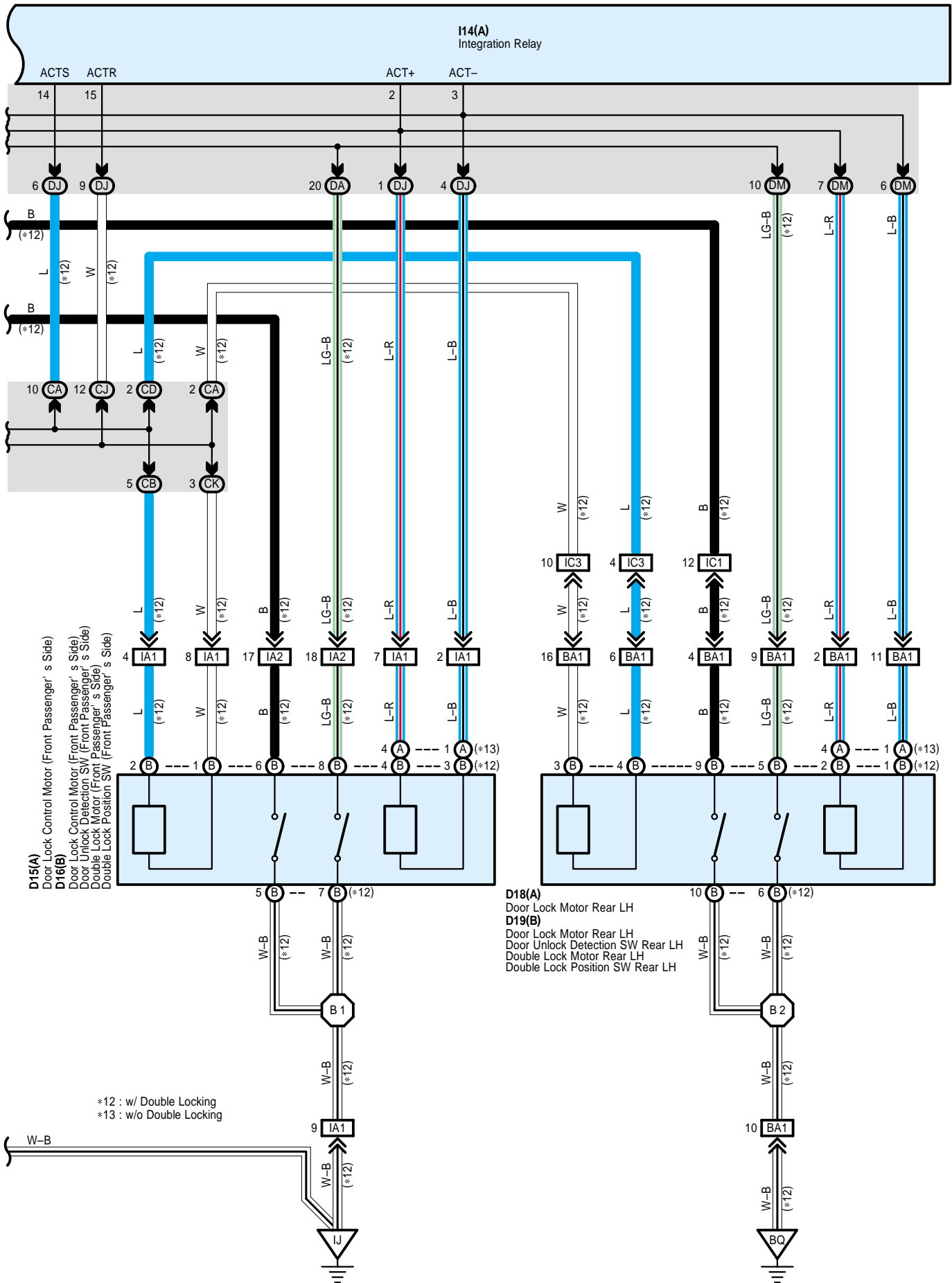


Multiplex Communication System (RHD)





Multiplex Communication System (RHD)



Service Hints

Integration Relay

22-Ground : Approx. 12 volts with ignition SW at ON position

25-Ground : Always continuity

1, 23-Ground : Always approx. 12 volts

○ : Parts Location

Code		See Page	Code		See Page	Code		See Page
A13	A	66 (RHD)	D17		72 (RHD L/B)	J30	A	75 (RHD W/G)
A15	B	66 (RHD)			74 (RHD W/G)	J31	B	71 (RHD S/D)
A16	C	66 (RHD)	D18	A	70 (RHD S/D)			73 (RHD L/B)
A27		66 (RHD)	D19	B	70 (RHD S/D)	J32	75 (RHD W/G)	
B7		72 (RHD L/B)			72 (RHD L/B)		71 (RHD S/D)	
		74 (RHD W/G)	74 (RHD W/G)	73 (RHD L/B)				
B8		72 (RHD L/B)	D20	A	70 (RHD S/D)	J33	A	75 (RHD W/G)
		74 (RHD W/G)	D21	B	70 (RHD S/D)			73 (RHD L/B)
B10		76 (RHD)			72 (RHD L/B)	75 (RHD W/G)		
C10	A	66 (RHD)	74 (RHD W/G)	J34	B	73 (RHD L/B)		
C11	B	66 (RHD)	E6			58 (*7)	75 (RHD W/G)	
D3		67 (RHD)		62 (*9)	L3	71 (RHD S/D)		
D5		67 (RHD)		64 (*10)	L4	71 (RHD S/D)		
D6		67 (RHD)		E8	L5	71 (RHD S/D)		
D7		70 (RHD S/D)	E9	A	67 (RHD)	M6	71 (RHD S/D)	
		72 (RHD L/B)	E10	B	67 (RHD)		73 (RHD L/B)	
		74 (RHD W/G)	F19	67 (RHD)	75 (RHD W/G)			
D8		70 (RHD S/D)	H11	58 (*7)	P8	71 (RHD S/D)		
		72 (RHD L/B)		62 (*9)		73 (RHD L/B)		
		74 (RHD W/G)		64 (*10)		75 (RHD W/G)		
D9		70 (RHD S/D)	H12	58 (*7)	R17	73 (RHD L/B)		
		72 (RHD L/B)		62 (*9)		75 (RHD W/G)		
		74 (RHD W/G)		64 (*10)	T6	69 (RHD)		
D10		70 (RHD S/D)	I11	A	67 (RHD)	T10	69 (RHD)	
		72 (RHD L/B)	I12	B	67 (RHD)	T12	71 (RHD S/D)	
		74 (RHD W/G)	I14	A	67 (RHD)		73 (RHD L/B)	
D11		70 (RHD S/D)	I16	70 (RHD S/D)	T13	75 (RHD W/G)		
		72 (RHD L/B)		72 (RHD L/B)		T14	75 (RHD W/G)	
		74 (RHD W/G)		74 (RHD W/G)		T15	71 (RHD S/D)	
D12		70 (RHD S/D)	J15	68 (RHD)	T15	73 (RHD L/B)		
		72 (RHD L/B)	J16	68 (RHD)		75 (RHD W/G)		
		74 (RHD W/G)	J20	A		68 (RHD)		
D13	A	70 (RHD S/D)	J21	B	68 (RHD)	U1	69 (RHD)	
D14	B	70 (RHD S/D)	J22	A	68 (RHD)	V8	71 (RHD S/D)	
		72 (RHD L/B)	J23	B	68 (RHD)		73 (RHD L/B)	
		74 (RHD W/G)	J24	A	68 (RHD)		75 (RHD W/G)	
D15	A	70 (RHD S/D)	J25	B	68 (RHD)	V9	71 (RHD S/D)	
D16	B	70 (RHD S/D)	J26	A	68 (RHD)		73 (RHD L/B)	
		72 (RHD L/B)	J27	B	68 (RHD)		75 (RHD W/G)	
		74 (RHD W/G)	J30	A	71 (RHD S/D)			
D17	70 (RHD S/D)	73 (RHD L/B)						

* 1 : Gasoline * 2 : 1CD-FTV * 3 : LHD 1AZ-FSE * 4 : LHD 1AZ-FE * 5 : LHD 1ZZ-FE, 3ZZ-FE * 6 : LHD 1CD-FTV

* 7 : RHD 1AZ-FSE * 8 : RHD 1AZ-FE * 9 : RHD 1ZZ-FE, 3ZZ-FE * 10 : RHD 1CD-FTV

Multiplex Communication System (RHD)

: Relay Blocks

Code	See Page	Relay Blocks (Relay Block Location)
1	24 (*1)	Engine Room R/B No.1 (Engine Compartment Left)
	25 (*2)	
2	26	Engine Room R/B No.2 (Near the Radiator Fan)
3	26	Engine Room R/B No.3 (Left Side of the Suspension Tower)
6	29	Fuse Block (Lower Finish Panel)

: Junction Block and Wire Harness Connector

Code	See Page	Junction Block and Wire Harness (Connector Location)
4B	27	Engine Room Main Wire and Engine Room J/B No.4 (Left Side of the Suspension Tower)
4D		
CA	34	Instrument Panel Wire and Center J/B (Instrument Panel Reinforcement RH)
CB		
CC		
CD		
CE		
CF		
CG	35	Instrument Panel Wire and Driver Side J/B (Left Side of the Instrument Panel)
CH		
CI		
CJ		
CK	30	Instrument Panel Wire and Driver Side J/B (Left Side of the Instrument Panel)
DA		
DB		
DC		
DD	31	Roof Wire and Driver Side J/B (Left Side of the Instrument Panel)
DJ		
DK	31	Floor Wire and Driver Side J/B (Left Side of the Instrument Panel)
DM	31	Engine Room Main Wire and Driver Side J/B (Left Side of the Instrument Panel)
DN	31	

* 1 : Gasoline * 2 : 1CD-FTV * 3 : LHD 1AZ-FSE * 4 : LHD 1AZ-FE * 5 : LHD 1ZZ-FE, 3ZZ-FE * 6 : LHD 1CD-FTV
 * 7 : RHD 1AZ-FSE * 8 : RHD 1AZ-FE * 9 : RHD 1ZZ-FE, 3ZZ-FE * 10 : RHD 1CD-FTV

: Connector Joining Wire Harness and Wire Harness

Code	See Page	Joining Wire Harness and Wire Harness (Connector Location)
ED1	104 (*10)	Engine Wire and Engine Room Main Wire (Left Side of the Suspension Tower)
IA1	106 (RHD)	Front Door LH Wire and Instrument Panel Wire (Left Kick Panel)
IA2		
IC1	106 (RHD)	Instrument Panel Wire and Floor Wire (Left Kick Panel)
IC2		
IC3		
ID1	106 (RHD)	Instrument Panel Wire and Roof Wire (Left Side of the Instrument Panel)
IE1	106 (RHD)	Engine Room Main Wire and Instrument Panel Wire (Behind the Glove Box)
IL1	108 (RHD)	Front Door RH Wire and Instrument Panel Wire (Right Kick Panel)
IL2		
IM1	108 (RHD)	Instrument Panel Wire and Floor No.2 Wire (Right Kick Panel)
IM2		
IO1	108 (RHD)	Engine Room Main Wire and Instrument Panel Wire (Left Side of the Instrument Panel)
BA1	110 (RHD S/D)	Rear Door No.2 Wire and Floor Wire (Under the Left Center Pillar)
	112 (RHD L/B)	
	114 (RHD W/G)	
BB1	110 (RHD S/D)	Roof Wire and Roof No.2 Wire (Near the Personal Light)
	112 (RHD L/B)	
	114 (RHD W/G)	
BC1	110 (RHD S/D)	Rear Door No.1 Wire and Floor No.2 Wire (Under the Right Center Pillar)
	112 (RHD L/B)	
	114 (RHD W/G)	
BD1	112 (RHD L/B)	Back Door No.1 Wire and Floor Wire (Under the Left Quarter Pillar)
BD2		
BE1	112 (RHD L/B)	Back Door No.2 Wire and Back Door No.1 Wire (Back Door Upper Left)
BE2		
BF1	114 (RHD W/G)	Back Door No.1 Wire and Floor Wire (Under the Left Quarter Pillar)
BF2		
BG1	114 (RHD W/G)	Back Door No.1 Wire and Back Door No.2 Wire (Back Door Left)
BG2		

* 1 : Gasoline * 2 : 1CD-FTV * 3 : LHD 1AZ-FSE * 4 : LHD 1AZ-FE * 5 : LHD 1ZZ-FE, 3ZZ-FE * 6 : LHD 1CD-FTV
 * 7 : RHD 1AZ-FSE * 8 : RHD 1AZ-FE * 9 : RHD 1ZZ-FE, 3ZZ-FE * 10 : RHD 1CD-FTV

Multiplex Communication System (RHD)

: Ground Points

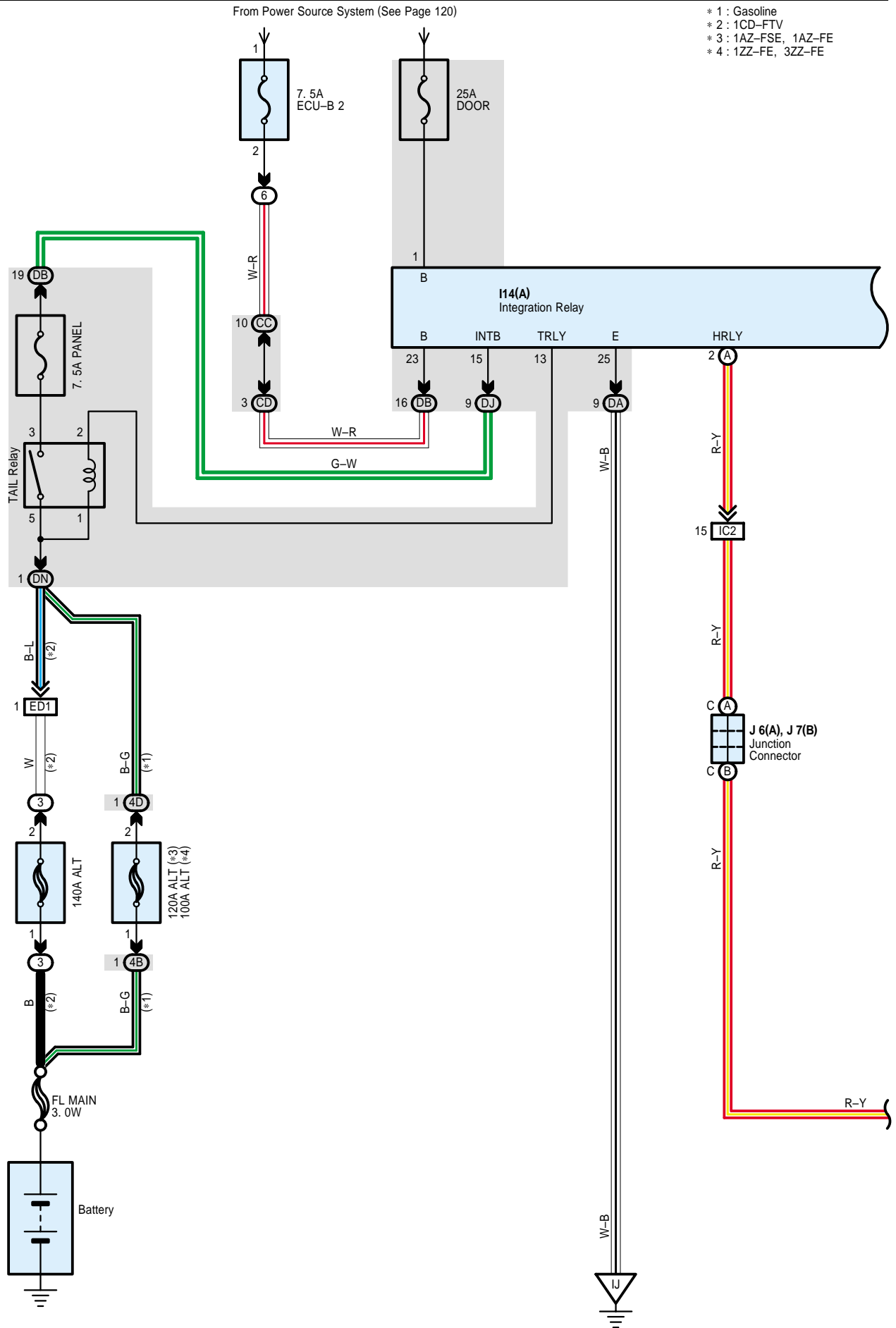
Code	See Page	Ground Points Location
EC	98 (*7)	Engine Compartment Left
	102 (*9)	
	104 (*10)	
IJ	106 (RHD)	Left Kick Panel
IK	106 (RHD)	Behind the Combination Meter
IL		
IP	106 (RHD)	Right Kick Panel
BQ	110 (RHD S/D)	Under the Left Center Pillar
	112 (RHD L/B)	
	114 (RHD W/G)	
BS	110 (RHD S/D)	Lower Back Panel Left
	112 (RHD L/B)	
	114 (RHD W/G)	
BU	110 (RHD S/D)	Under the Right Center Pillar
	112 (RHD L/B)	
	114 (RHD W/G)	
BV	110 (RHD S/D)	Under the Right Center Pillar
	112 (RHD L/B)	
	114 (RHD W/G)	
BX	112 (RHD L/B)	Right Side of the Back Door
	114 (RHD W/G)	

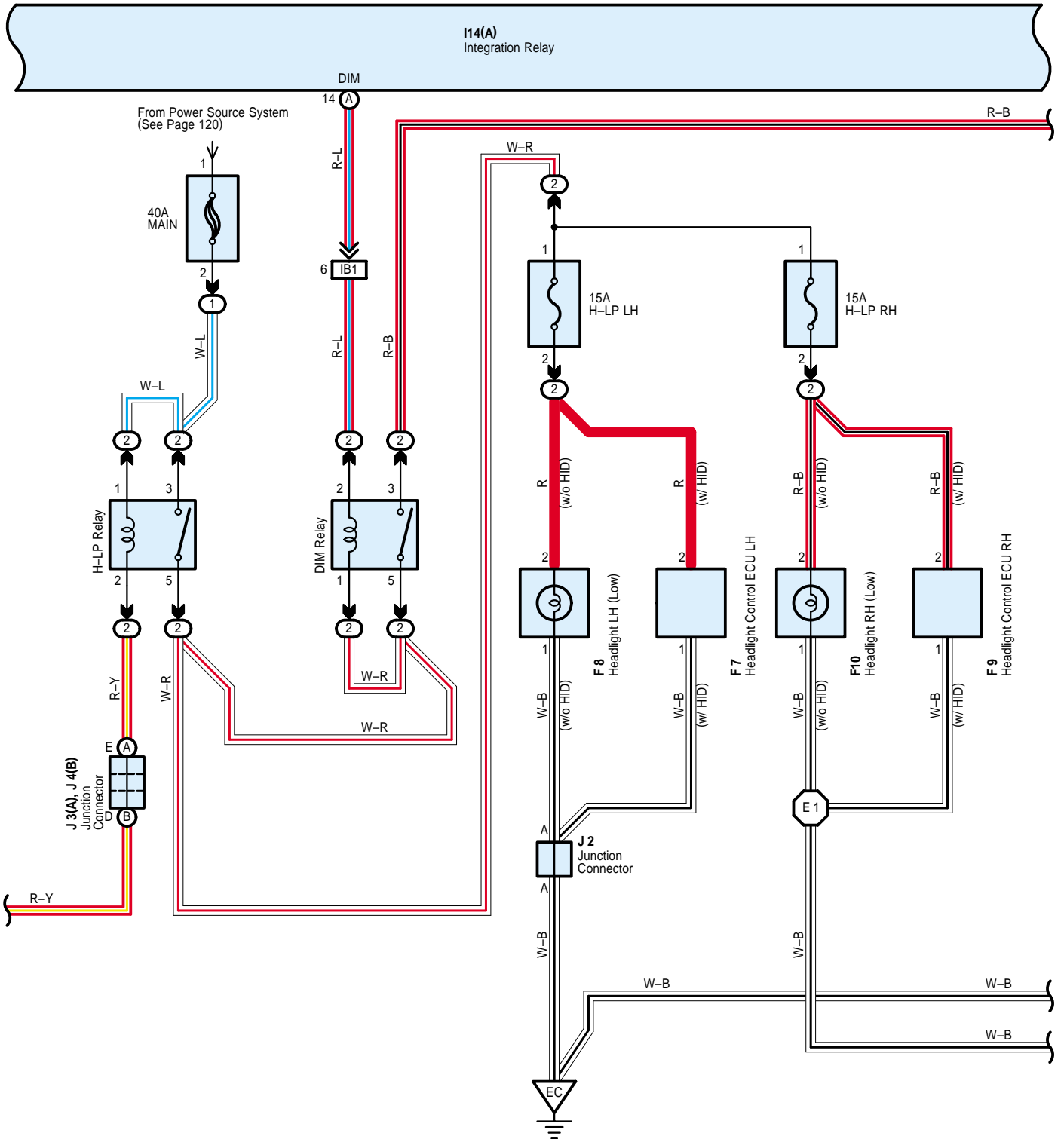
: Splice Points

Code	See Page	Wire Harness with Splice Points	Code	See Page	Wire Harness with Splice Points
B1	110 (RHD S/D)	Front Door LH Wire	B5	114 (RHD W/G)	Roof Wire
	112 (RHD L/B)		B7	110 (RHD S/D)	Front Door RH Wire
	114 (RHD W/G)			112 (RHD L/B)	
B2	110 (RHD S/D)	Rear Door No.2 Wire	B8	114 (RHD W/G)	Rear Door No.1 Wire
	112 (RHD L/B)			110 (RHD S/D)	
	114 (RHD W/G)			112 (RHD L/B)	
B5	110 (RHD S/D)	Roof Wire		114 (RHD W/G)	
	112 (RHD L/B)				

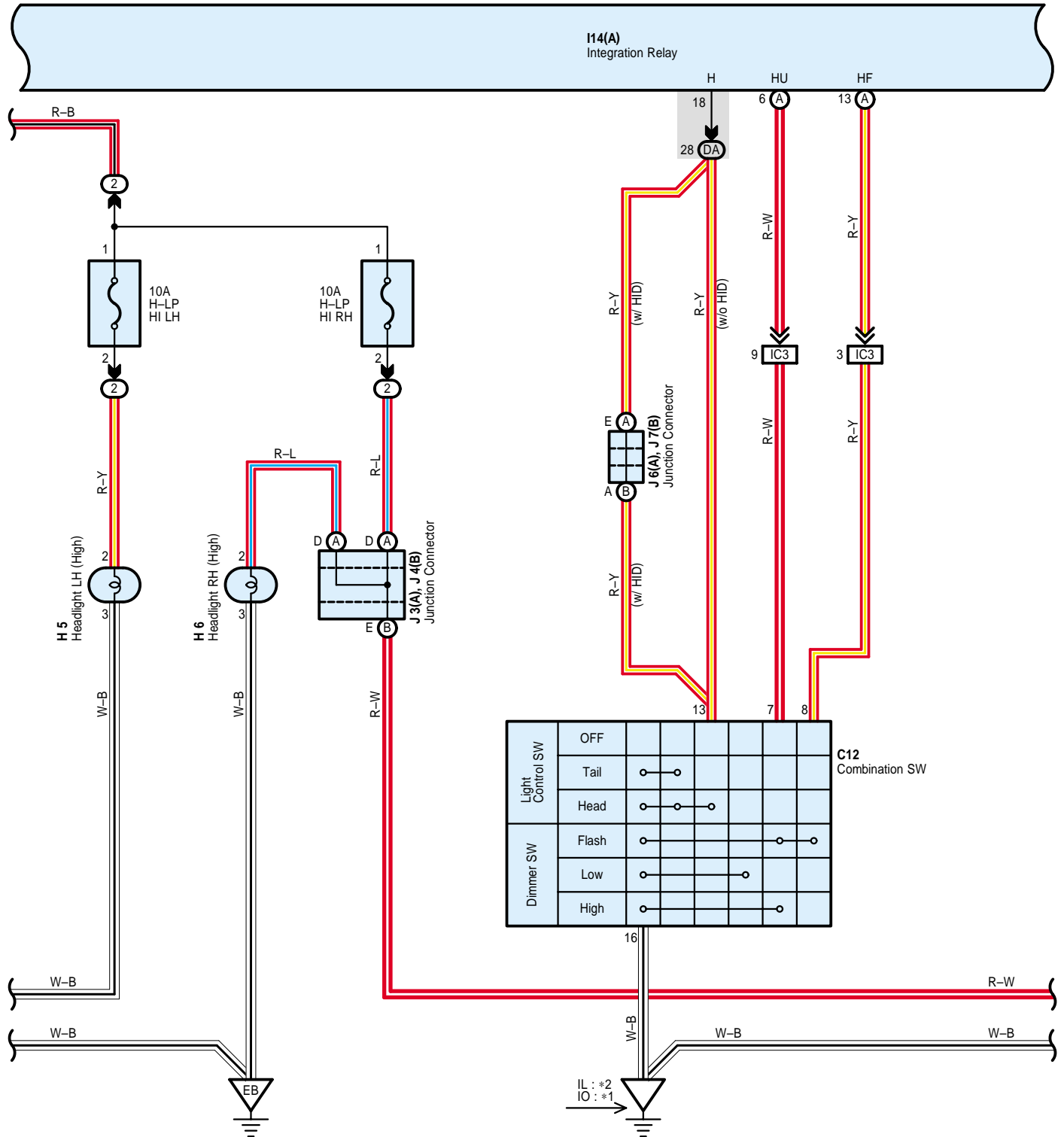
* 1 : Gasoline * 2 : 1CD-FTV * 3 : LHD 1AZ-FSE * 4 : LHD 1AZ-FE * 5 : LHD 1ZZ-FE, 3ZZ-FE * 6 : LHD 1CD-FTV
 * 7 : RHD 1AZ-FSE * 8 : RHD 1AZ-FE * 9 : RHD 1ZZ-FE, 3ZZ-FE * 10 : RHD 1CD-FTV

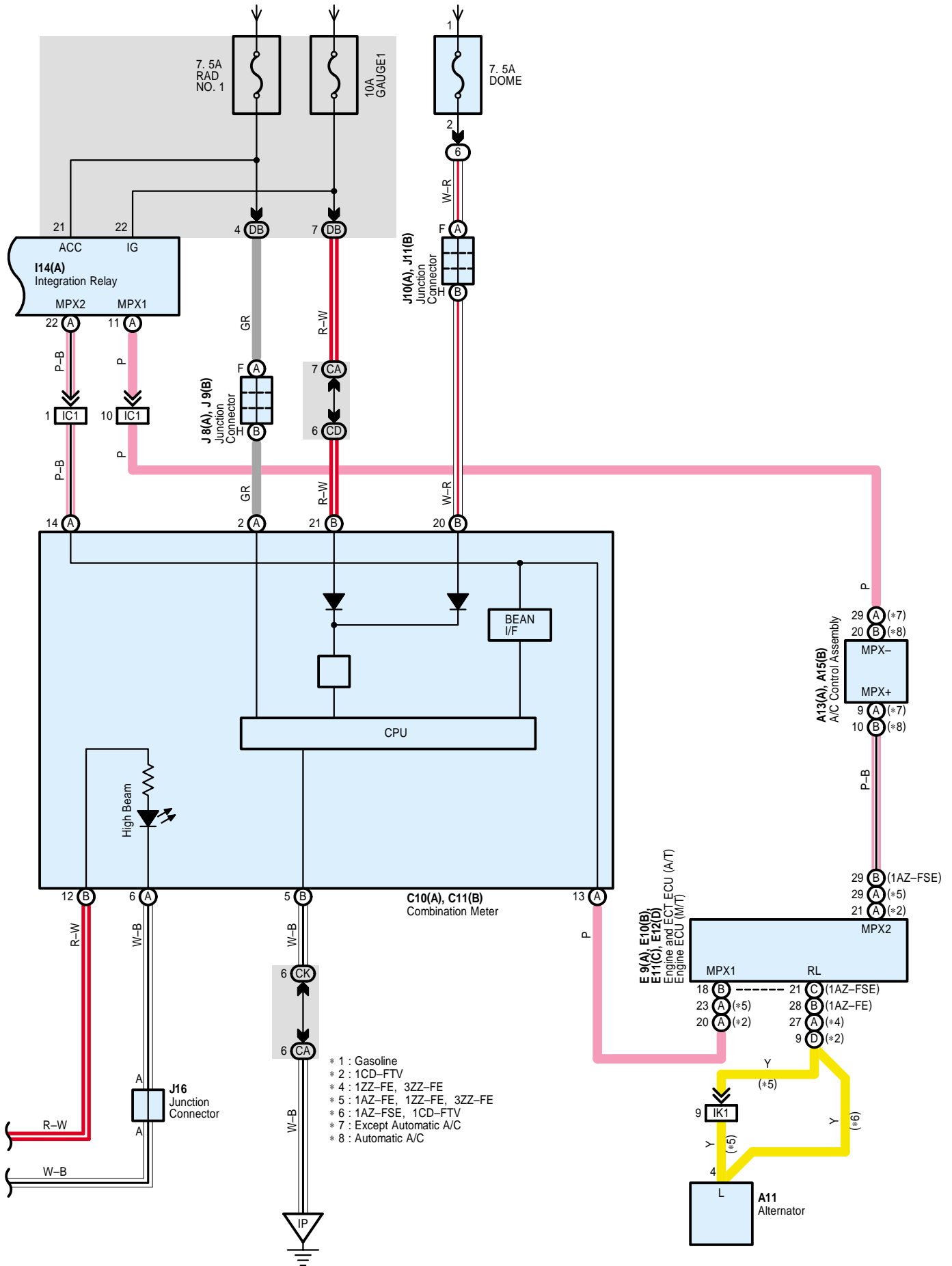
Headlight (w/ Daytime Running Light)





Headlight (w/ Daytime Running Light)





Headlight (w/ Daytime Running Light)

System Outline

When the ignition SW is ON and a signal is input from the alternator, if the light control SW is OFF, the daytime running light system operates.

When any of the following conditions are met, the daytime running light is canceled.

- * Ignition SW is turned OFF from ON.
- * Light control SW is turned to TAIL or HEAD position

Service Hints

I14 (A) Integration Relay

18-Ground : Continuity with the light control SW at HEAD position

(A) 2-Ground : Always approx. 12 volts

C12 Combination SW

13-16 : Closed with the light control SW at HEAD position

7-16 : Closed with the dimmer SW at HIGH or FLASH position

8-16 : Closed with the dimmer SW at FLASH position

○ : Parts Location

Code	See Page	Code	See Page	Code	See Page	
A11	38 (*3)	F8	38 (*3)	I14	A	47 (LHD)
	42 (*5)		42 (*5)	J2		39 (*3)
	44 (*6)		44 (*6)			43 (*5)
A13	A	46 (LHD)				45 (*6)
A15	B	46 (LHD)	F9	J3	A	48 (LHD)
C10	A	46 (LHD)		J4	B	48 (LHD)
C11	B	46 (LHD)	F10	J6	A	48 (LHD)
C12		46 (LHD)		J7	B	48 (LHD)
E9	A	47 (LHD)		J8	A	48 (LHD)
E10	B	47 (LHD)	H5	J9	B	48 (LHD)
E11	C	47 (LHD)		J10	A	48 (LHD)
E12	D	47 (LHD)		J11	B	48 (LHD)
F7	38 (*3)	H6	38 (*3)	J16		48 (LHD)
	42 (*5)		42 (*5)			
	44 (*6)		44 (*6)			

○ : Relay Blocks

Code	See Page	Relay Blocks (Relay Block Location)
1	24 (*1)	Engine Room R/B No.1 (Engine Compartment Left)
	25 (*2)	
2	26	Engine Room R/B No.2 (Near the Radiator Fan)
3	26	Engine Room R/B No.3 (Left Side of the Suspension Tower)
6	29	Fuse Block (Lower Finish Panel)

* 1 : Gasoline * 2 : 1CD-FTV * 3 : LHD 1AZ-FSE * 4 : LHD 1AZ-FE * 5 : LHD 1ZZ-FE, 3ZZ-FE * 6 : LHD 1CD-FTV
 * 7 : RHD 1AZ-FSE * 8 : RHD 1AZ-FE * 9 : RHD 1ZZ-FE, 3ZZ-FE * 10 : RHD 1CD-FTV

 : **Junction Block and Wire Harness Connector**

Code	See Page	Junction Block and Wire Harness (Connector Location)
4B	27	Engine Room Main Wire and Engine Room J/B No.4 (Left Side of the Suspension Tower)
4D		
CA	34	Instrument Panel Wire and Center J/B (Instrument Panel Reinforcement RH)
CC		
CD		
CK		
DA	30	Instrument Panel Wire and Driver Side J/B (Left Side of the Instrument Panel)
DB		
DJ		
DN	31	Engine Room Main Wire and Driver Side J/B (Left Side of the Instrument Panel)

 : **Connector Joining Wire Harness and Wire Harness**

Code	See Page	Joining Wire Harness and Wire Harness (Connector Location)
ED1	84 (*6)	Engine Wire and Engine Room Main Wire (Left Side of the Suspension Tower)
IB1	86 (LHD)	Engine Room Main Wire and Floor Wire (Near the Driver Side J/B)
IC1	86 (LHD)	Instrument Panel Wire and Floor Wire (Left Kick Panel)
IC2		
IC3		
IK1	88 (LHD)	Engine Wire and Instrument Panel Wire (Behind the Glove Box)

 : **Ground Points**

Code	See Page	Ground Points Location
EB	78 (*3)	Engine Compartment Right
	82 (*5)	
	84 (*6)	
EC	78 (*3)	Engine Compartment Left
	82 (*5)	
	84 (*6)	
IJ	86 (LHD)	Left Kick Panel
IL	86 (LHD)	Behind the Combination Meter
IO	86 (LHD)	Instrument Panel Reinforcement RH
IP	86 (LHD)	Right Kick Panel

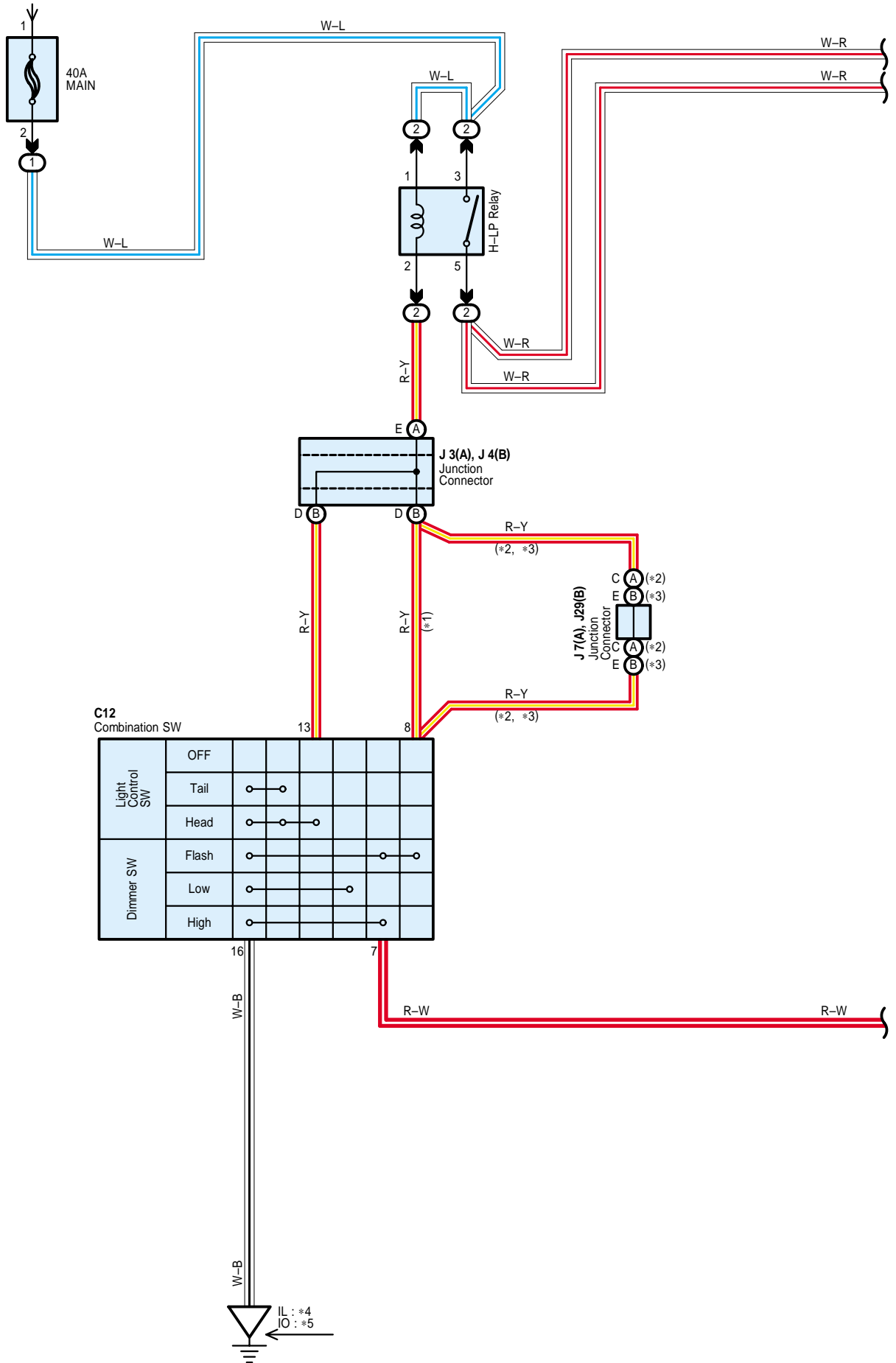
 : **Splice Points**

Code	See Page	Wire Harness with Splice Points	Code	See Page	Wire Harness with Splice Points
E1	78 (*3)	Engine Room Main Wire	E1	84 (*6)	Engine Room Main Wire
	82 (*5)				

* 1 : Gasoline * 2 : 1CD-FTV * 3 : LHD 1AZ-FSE * 4 : LHD 1AZ-FE * 5 : LHD 1ZZ-FE, 3ZZ-FE * 6 : LHD 1CD-FTV
 * 7 : RHD 1AZ-FSE * 8 : RHD 1AZ-FE * 9 : RHD 1ZZ-FE, 3ZZ-FE * 10 : RHD 1CD-FTV

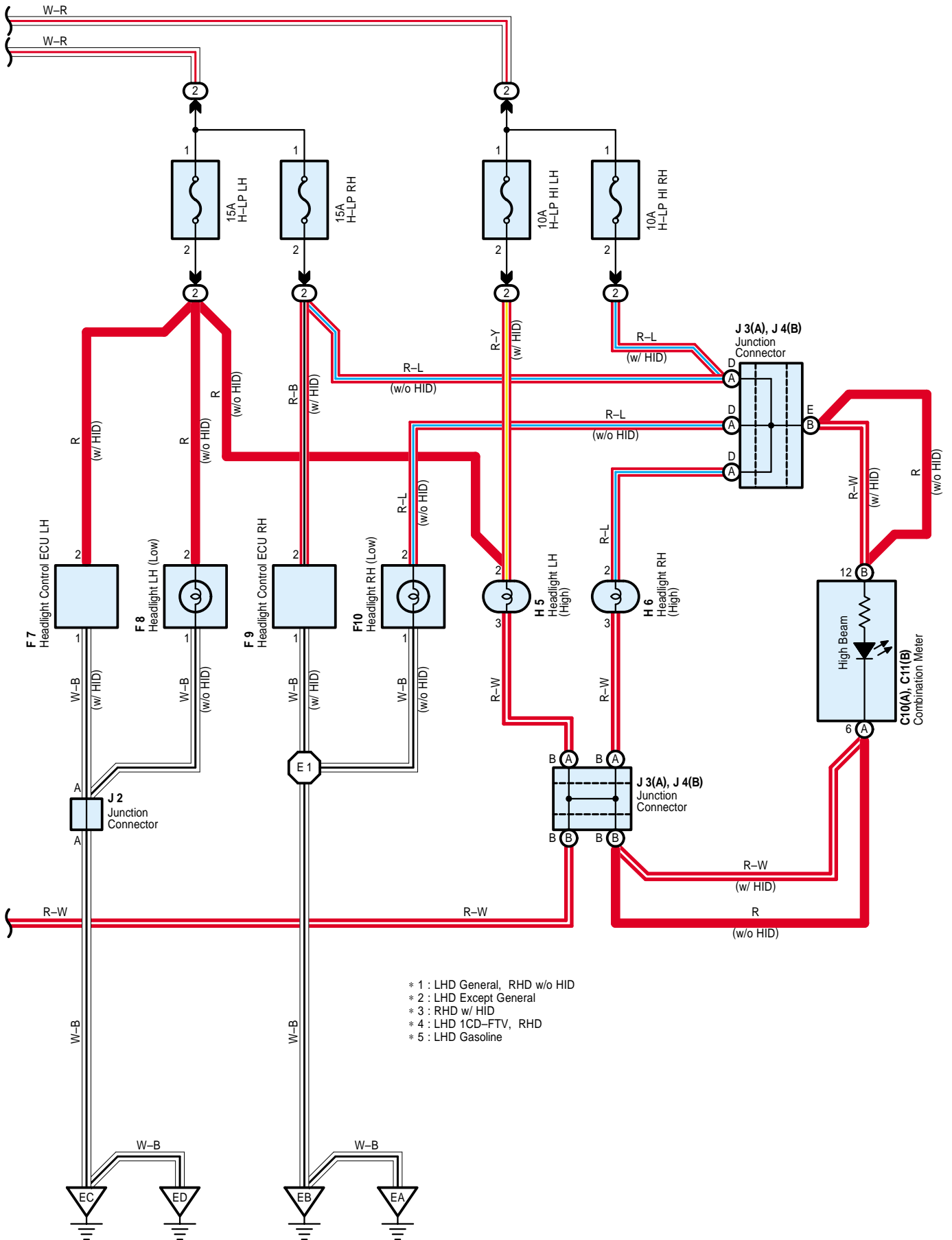
Headlight (w/o Daytime Running Light)

From Power Source System (See Page 120)



C12
Combination SW

Light Control SW	OFF						
	Tail	<input type="checkbox"/>	<input type="checkbox"/>				
	Head	<input type="checkbox"/>	<input type="checkbox"/>	<input type="checkbox"/>			
Dimmer SW	Flash	<input type="checkbox"/>	<input type="checkbox"/>	<input type="checkbox"/>	<input type="checkbox"/>	<input type="checkbox"/>	<input type="checkbox"/>
	Low	<input type="checkbox"/>	<input type="checkbox"/>	<input type="checkbox"/>	<input type="checkbox"/>		
	High	<input type="checkbox"/>	<input type="checkbox"/>	<input type="checkbox"/>	<input type="checkbox"/>	<input type="checkbox"/>	<input type="checkbox"/>



Headlight (w/o Daytime Running Light)

Service Hints

C12 Combination SW

- 13-16 : Closed with the light control SW at HEAD position
- 8-16 : Closed with the dimmer SW at FLASH position
- 7-16 : Closed with the dimmer SW at HIGH or FLASH position

○ : Parts Location

Code	See Page	Code	See Page	Code	See Page					
C10	A	F9	46 (LHD)	H6	38 (*3)					
			66 (RHD)		40 (*4)					
C11	B		46 (LHD)		42 (*5)					
			66 (RHD)		44 (*6)					
C12			58 (*7)		42 (*5)					
			46 (LHD)		58 (*7)					
			62 (*9)		44 (*6)					
			64 (*10)		58 (*7)					
F7			F10		38 (*3)	J2	60 (*8)			
					40 (*4)		62 (*9)			
		42 (*5)		64 (*10)						
		44 (*6)		38 (*3)						
		58 (*7)		40 (*4)						
		62 (*9)		42 (*5)						
		64 (*10)		44 (*6)						
F8		H5	58 (*7)	J3	A	48 (LHD)				
			60 (*8)			68 (RHD)				
			62 (*9)		J4	B	48 (LHD)			
			64 (*10)				68 (RHD)			
			F9				62 (*9)	J7	A	48 (LHD)
							38 (*3)			J29
							64 (*10)			

○ : Relay Blocks

Code	See Page	Relay Blocks (Relay Block Location)
1	24 (*1)	Engine Room R/B No.1 (Engine Compartment Left)
	25 (*2)	
2	26	Engine Room R/B No.2 (Near the Radiator Fan)

* 1 : Gasoline * 2 : 1CD-FTV * 3 : LHD 1AZ-FSE * 4 : LHD 1AZ-FE * 5 : LHD 1ZZ-FE, 3ZZ-FE * 6 : LHD 1CD-FTV
 * 7 : RHD 1AZ-FSE * 8 : RHD 1AZ-FE * 9 : RHD 1ZZ-FE, 3ZZ-FE * 10 : RHD 1CD-FTV

**: Ground Points**

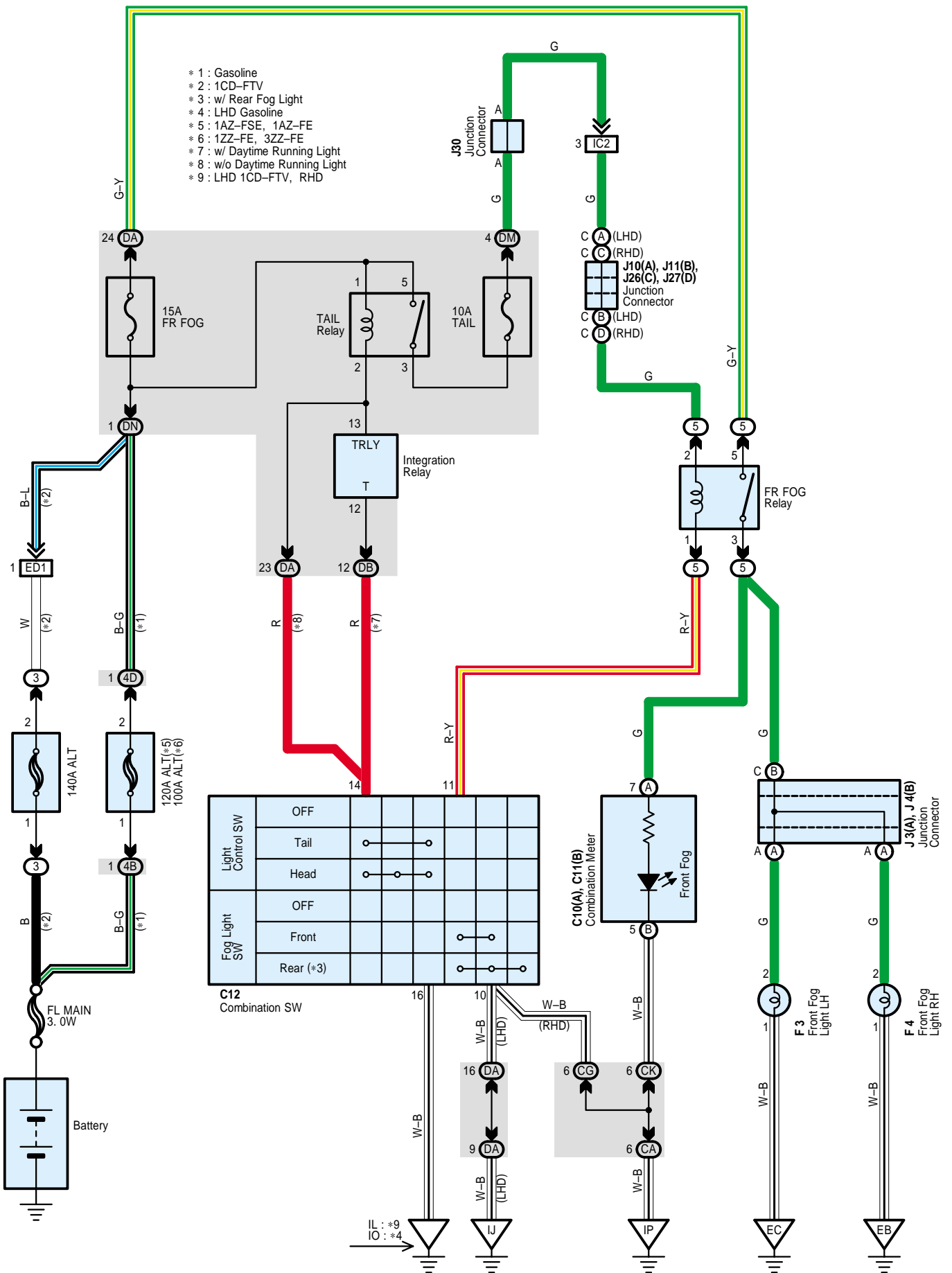
Code	See Page	Ground Points Location
EA	78 (*3)	Engine Compartment Right
	80 (*4)	
	82 (*5)	
	84 (*6)	
	98 (*7)	
	100 (*8)	
	102 (*9)	
	104 (*10)	
EB	78 (*3)	
	80 (*4)	
	82 (*5)	
	84 (*6)	
	98 (*7)	
	100 (*8)	
	102 (*9)	
	104 (*10)	
EC	78 (*3)	Engine Compartment Left
	80 (*4)	
	82 (*5)	
	84 (*6)	
	98 (*7)	
	100 (*8)	
	102 (*9)	
	104 (*10)	
ED	78 (*3)	Left Side of the Suspension Tower
	80 (*4)	
	82 (*5)	
	84 (*6)	
	98 (*7)	
	100 (*8)	
	102 (*9)	
	104 (*10)	
IL	86 (LHD)	Behind the Combination Meter
	106 (RHD)	
IO	86 (LHD)	Instrument Panel Reinforcement RH

**: Splice Points**

Code	See Page	Wire Harness with Splice Points	Code	See Page	Wire Harness with Splice Points
E1	78 (*3)	Engine Room Main Wire	E1	98 (*7)	Engine Room Main Wire
	80 (*4)			100 (*8)	
	82 (*5)			102 (*9)	
	84 (*6)			104 (*10)	

* 1 : Gasoline * 2 : 1CD-FTV * 3 : LHD 1AZ-FSE * 4 : LHD 1AZ-FE * 5 : LHD 1ZZ-FE, 3ZZ-FE * 6 : LHD 1CD-FTV
 * 7 : RHD 1AZ-FSE * 8 : RHD 1AZ-FE * 9 : RHD 1ZZ-FE, 3ZZ-FE * 10 : RHD 1CD-FTV

Front Fog Light



Service Hints

FR FOG Relay

5-3 : Closed with the light control SW at TAIL or HEAD position and the fog light SW at FRONT or REAR (w/ rear fog light) position

: Parts Location

Code		See Page	Code		See Page	Code		See Page		
C10	A	46 (LHD)	F3	F4	64 (*10)	J10	A	48 (LHD)		
		66 (RHD)			38 (*3)	J11	B	48 (LHD)		
C11	B	46 (LHD)			40 (*4)	J26	C	68 (RHD)		
		66 (RHD)			42 (*5)	J27	D	68 (RHD)		
C12		46 (LHD)			44 (*6)	J30		51 (LHD S/D)		
		66 (RHD)			58 (*7)			53 (LHD L/B)		
F3		38 (*3)			62 (*9)			55 (LHD W/G)		
		40 (*4)			64 (*10)			71 (RHD S/D)		
		42 (*5)			J3			A	48 (LHD)	73 (RHD L/B)
		44 (*6)							68 (RHD)	75 (RHD W/G)
		58 (*7)	J4	B	48 (LHD)					
62 (*9)	68 (RHD)									

: Relay Blocks

Code	See Page	Relay Blocks (Relay Block Location)
3	26	Engine Room R/B No.3 (Left Side of the Suspension Tower)
5	28 (LHD)	Driver Side R/B (Left Side of the Instrument Panel)
	28 (RHD)	Driver Side R/B (Instrument Panel Reinforcement LH)

: Junction Block and Wire Harness Connector

Code	See Page	Junction Block and Wire Harness (Connector Location)
4B	27	Engine Room Main Wire and Engine Room J/B No.4 (Left Side of the Suspension Tower)
4D		
CA	34	Instrument Panel Wire and Center J/B (Instrument Panel Reinforcement RH)
CG	35	
CK		
DA	30	
DB		
DM	31	Floor Wire and Driver Side J/B (Left Side of the Instrument Panel)
DN	31	Engine Room Main Wire and Driver Side J/B (Left Side of the Instrument Panel)

: Connector Joining Wire Harness and Wire Harness

Code	See Page	Joining Wire Harness and Wire Harness (Connector Location)
ED1	84 (*6)	Engine Wire and Engine Room Main Wire (Left Side of the Suspension Tower)
	104 (*10)	
IC2	86 (LHD)	Instrument Panel Wire and Floor Wire (Left Kick Panel)
	106 (RHD)	

* 1 : Gasoline * 2 : 1CD-FTV * 3 : LHD 1AZ-FSE * 4 : LHD 1AZ-FE * 5 : LHD 1ZZ-FE, 3ZZ-FE * 6 : LHD 1CD-FTV
 * 7 : RHD 1AZ-FSE * 8 : RHD 1AZ-FE * 9 : RHD 1ZZ-FE, 3ZZ-FE * 10 : RHD 1CD-FTV

Front Fog Light

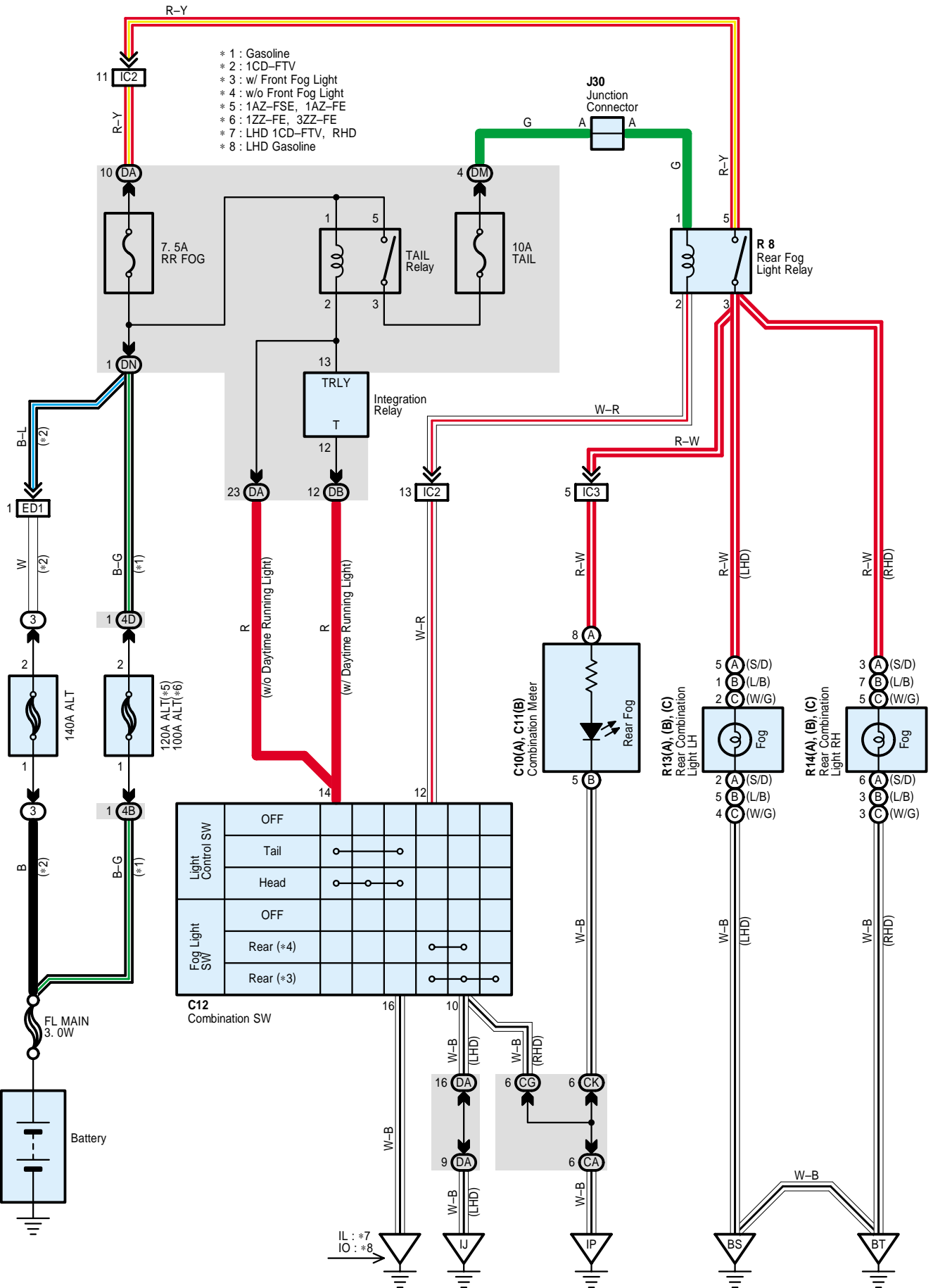


: Ground Points

Code	See Page	Ground Points Location
EB	78 (*3)	Engine Compartment Right
	80 (*4)	
	82 (*5)	
	84 (*6)	
	98 (*7)	
	102 (*9)	
	104 (*10)	
EC	78 (*3)	Engine Compartment Left
	80 (*4)	
	82 (*5)	
	84 (*6)	
	98 (*7)	
	102 (*9)	
	104 (*10)	
IJ	86 (LHD)	Left Kick Panel
	106 (RHD)	
IL	86 (LHD)	Behind the Combination Meter
	106 (RHD)	
IO	86 (LHD)	Instrument Panel Reinforcement RH
IP	86 (LHD)	Right Kick Panel
	106 (RHD)	

* 1 : Gasoline * 2 : 1CD-FTV * 3 : LHD 1AZ-FSE * 4 : LHD 1AZ-FE * 5 : LHD 1ZZ-FE, 3ZZ-FE * 6 : LHD 1CD-FTV
 * 7 : RHD 1AZ-FSE * 8 : RHD 1AZ-FE * 9 : RHD 1ZZ-FE, 3ZZ-FE * 10 : RHD 1CD-FTV

Rear Fog Light



Service Hints

R8 Rear Fog Light Relay

5-3 : Closed with the light control SW at TAIL or HEAD position and the fog light SW at REAR position

: Parts Location

Code		See Page	Code	See Page	Code	See Page	
C10	A	46 (LHD)	J30	53 (LHD L/B)	R13	A	51 (LHD S/D)
		66 (RHD)		55 (LHD W/G)		B	53 (LHD L/B)
C11	B	46 (LHD)		71 (RHD S/D)		C	55 (LHD W/G)
		66 (RHD)		73 (RHD L/B)	R14	A	71 (RHD S/D)
C12		46 (LHD)		75 (RHD W/G)		B	73 (RHD L/B)
		66 (RHD)		R8		49 (LHD)	C
J30		51 (LHD S/D)	69 (RHD)				

: Relay Blocks

Code	See Page	Relay Blocks (Relay Block Location)
3	26	Engine Room R/B No.3 (Left Side of the Suspension Tower)

: Junction Block and Wire Harness Connector

Code	See Page	Junction Block and Wire Harness (Connector Location)
4B	27	Engine Room Main Wire and Engine Room J/B No.4 (Left Side of the Suspension Tower)
4D		
CA	34	Instrument Panel Wire and Center J/B (Instrument Panel Reinforcement RH)
CG	35	
CK		
DA	30	Instrument Panel Wire and Driver Side J/B (Left Side of the Instrument Panel)
DB		
DM	31	Floor Wire and Driver Side J/B (Left Side of the Instrument Panel)
DN	31	Engine Room Main Wire and Driver Side J/B (Left Side of the Instrument Panel)

: Connector Joining Wire Harness and Wire Harness

Code	See Page	Joining Wire Harness and Wire Harness (Connector Location)
ED1	84 (*6)	Engine Wire and Engine Room Main Wire (Left Side of the Suspension Tower)
	104 (*10)	
IC2	86 (LHD)	Instrument Panel Wire and Floor Wire (Left Kick Panel)
	106 (RHD)	
IC3	86 (LHD)	
	106 (RHD)	

* 1 : Gasoline * 2 : 1CD-FTV * 3 : LHD 1AZ-FSE * 4 : LHD 1AZ-FE * 5 : LHD 1ZZ-FE, 3ZZ-FE * 6 : LHD 1CD-FTV
 * 7 : RHD 1AZ-FSE * 8 : RHD 1AZ-FE * 9 : RHD 1ZZ-FE, 3ZZ-FE * 10 : RHD 1CD-FTV

Rear Fog Light

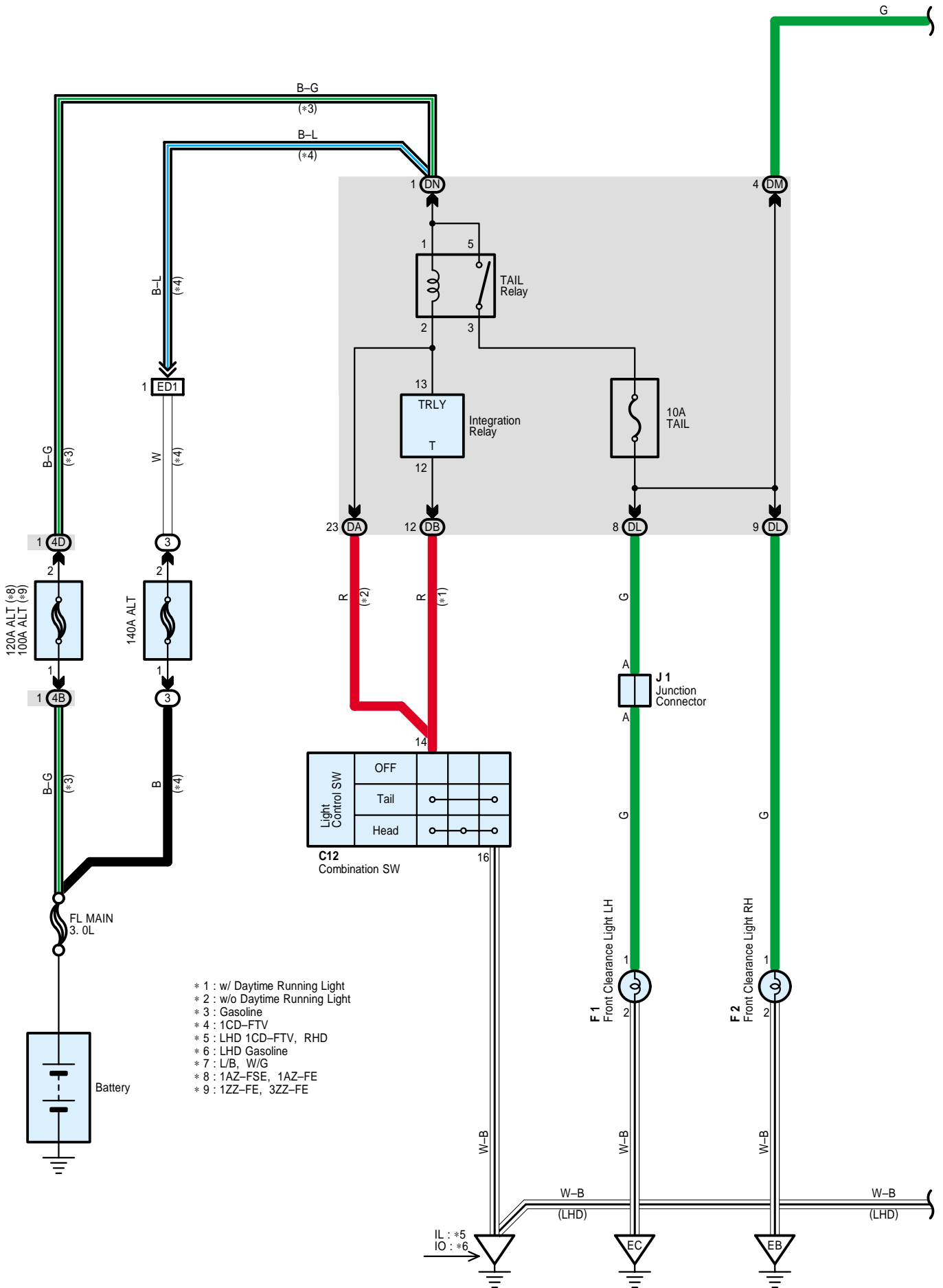


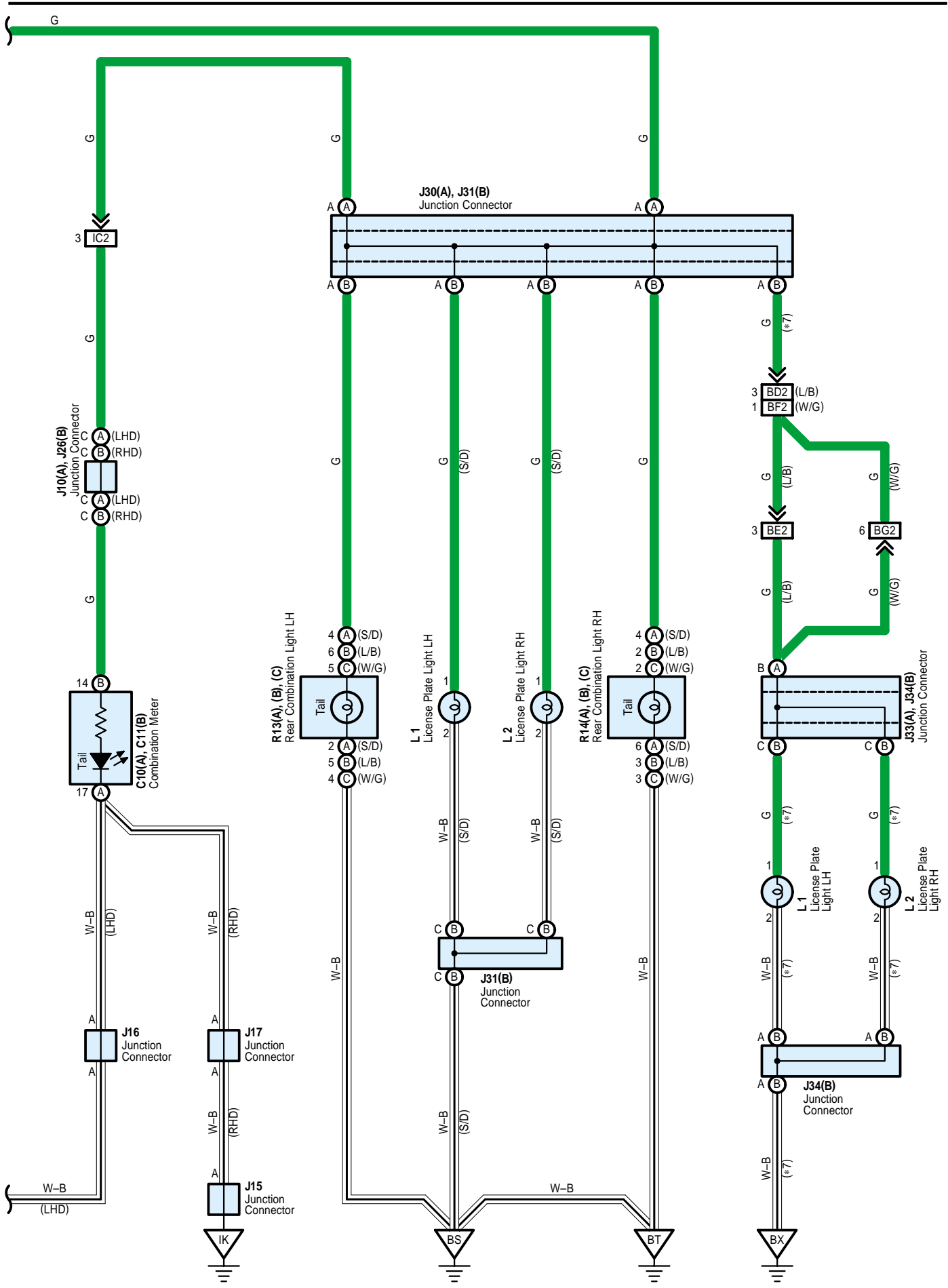
: Ground Points

Code	See Page	Ground Points Location
IJ	86 (LHD)	Left Kick Panel
	106 (RHD)	
IL	86 (LHD)	Behind the Combination Meter
	106 (RHD)	
IO	86 (LHD)	Instrument Panel Reinforcement RH
IP	86 (LHD)	Right Kick Panel
	106 (RHD)	
BS	90 (LHD S/D)	Lower Back Panel Left
	92 (LHD L/B)	
	94 (LHD W/G)	
	110 (RHD S/D)	
	112 (RHD L/B)	
	114 (RHD W/G)	
BT	90 (LHD S/D)	Lower Back Panel Center
	92 (LHD L/B)	Lower Back Panel Center
	94 (LHD W/G)	Lower Back Panel Right
	110 (RHD S/D)	Lower Back Panel Center
	112 (RHD L/B)	Lower Back Panel Center
	114 (RHD W/G)	Lower Back Panel Right

* 1 : Gasoline * 2 : 1CD-FTV * 3 : LHD 1AZ-FSE * 4 : LHD 1AZ-FE * 5 : LHD 1ZZ-FE, 3ZZ-FE * 6 : LHD 1CD-FTV
 * 7 : RHD 1AZ-FSE * 8 : RHD 1AZ-FE * 9 : RHD 1ZZ-FE, 3ZZ-FE * 10 : RHD 1CD-FTV

Taillight





Taillight

Service Hints

C12 Combination SW

14-16 : Closed with the light control SW at TAIL or HEAD position

○ : Parts Location

Code		See Page	Code		See Page	Code		See Page	
C10	A	46 (LHD)	J1		61 (*8)	J34	B	75 (RHD W/G)	
		66 (RHD)			63 (*9)			51 (LHD S/D)	
C11	B	46 (LHD)	J10	A	65 (*10)	L1		53 (LHD L/B)	
		66 (RHD)			48 (LHD)			55 (LHD W/G)	
C12		46 (LHD)	J15		68 (RHD)	L1		71 (RHD S/D)	
		66 (RHD)	J16		48 (LHD)			73 (RHD L/B)	
F1		38 (*3)	J17		68 (RHD)	L2		75 (RHD W/G)	
		40 (*4)	J26	B	68 (RHD)			51 (LHD S/D)	
		42 (*5)	J30	A	51 (LHD S/D)			53 (LHD L/B)	
		44 (*6)			53 (LHD L/B)			55 (LHD W/G)	
		58 (*7)			55 (LHD W/G)			71 (RHD S/D)	
		60 (*8)			71 (RHD S/D)			73 (RHD L/B)	
		62 (*9)			73 (RHD L/B)			75 (RHD W/G)	
		64 (*10)			75 (RHD W/G)			R13	A
38 (*3)	J31	B	51 (LHD S/D)	71 (RHD S/D)					
40 (*4)			53 (LHD L/B)	B	53 (LHD L/B)				
42 (*5)			55 (LHD W/G)		C	73 (RHD L/B)			
44 (*6)			71 (RHD S/D)	55 (LHD W/G)					
58 (*7)			73 (RHD L/B)	75 (RHD W/G)					
60 (*8)			75 (RHD W/G)	R14	A	51 (LHD S/D)			
62 (*9)			53 (LHD L/B)			71 (RHD S/D)			
F2				64 (*10)	J33	A	55 (LHD W/G)	B	
	39 (*3)	73 (RHD L/B)		73 (RHD L/B)					
	41 (*4)	75 (RHD W/G)		C			55 (LHD W/G)		
	43 (*5)	53 (LHD L/B)					75 (RHD W/G)		
J1		45 (*6)	J34	B	55 (LHD W/G)				
		59 (*7)			73 (RHD L/B)				

○ : Relay Blocks

Code	See Page	Relay Blocks (Relay Block Location)
3	26	Engine Room R/B No.3 (Left Side of the Suspension Tower)

○ : Junction Block and Wire Harness Connector

Code	See Page	Junction Block and Wire Harness (Connector Location)
4B	27	Engine Room Main Wire and Engine Room J/B No.4 (Left Side of the Suspension Tower)
4D		
DA	30	Instrument Panel Wire and Driver Side J/B (Left Side of the Instrument Panel)
DB		
DL	31	Engine Room Main Wire and Driver Side J/B (Left Side of the Instrument Panel)
DM	31	Floor Wire and Driver Side J/B (Left Side of the Instrument Panel)
DN	31	Engine Room Main Wire and Driver Side J/B (Left Side of the Instrument Panel)

* 1 : Gasoline * 2 : 1CD-FTV * 3 : LHD 1AZ-FSE * 4 : LHD 1AZ-FE * 5 : LHD 1ZZ-FE, 3ZZ-FE * 6 : LHD 1CD-FTV
 * 7 : RHD 1AZ-FSE * 8 : RHD 1AZ-FE * 9 : RHD 1ZZ-FE, 3ZZ-FE * 10 : RHD 1CD-FTV

 : Connector Joining Wire Harness and Wire Harness

Code	See Page	Joining Wire Harness and Wire Harness (Connector Location)
ED1	84 (*6)	Engine Wire and Engine Room Main Wire (Left Side of the Suspension Tower)
	104 (*10)	
IC2	86 (LHD)	Instrument Panel Wire and Floor Wire (Left Kick Panel)
	106 (RHD)	
BD2	92 (LHD L/B)	Back Door No.1 Wire and Floor Wire (Under the Left Quarter Pillar)
	112 (RHD L/B)	
BE2	92 (LHD L/B)	Back Door No.2 Wire and Back Door No.1 Wire (Back Door Upper Left)
	112 (RHD L/B)	
BF2	94 (LHD W/G)	Back Door No.1 Wire and Floor Wire (Under the Left Quarter Pillar)
	114 (RHD W/G)	
BG2	94 (LHD W/G)	Back Door No.1 Wire and Back Door No.2 Wire (Back Door Left)
	114 (RHD W/G)	

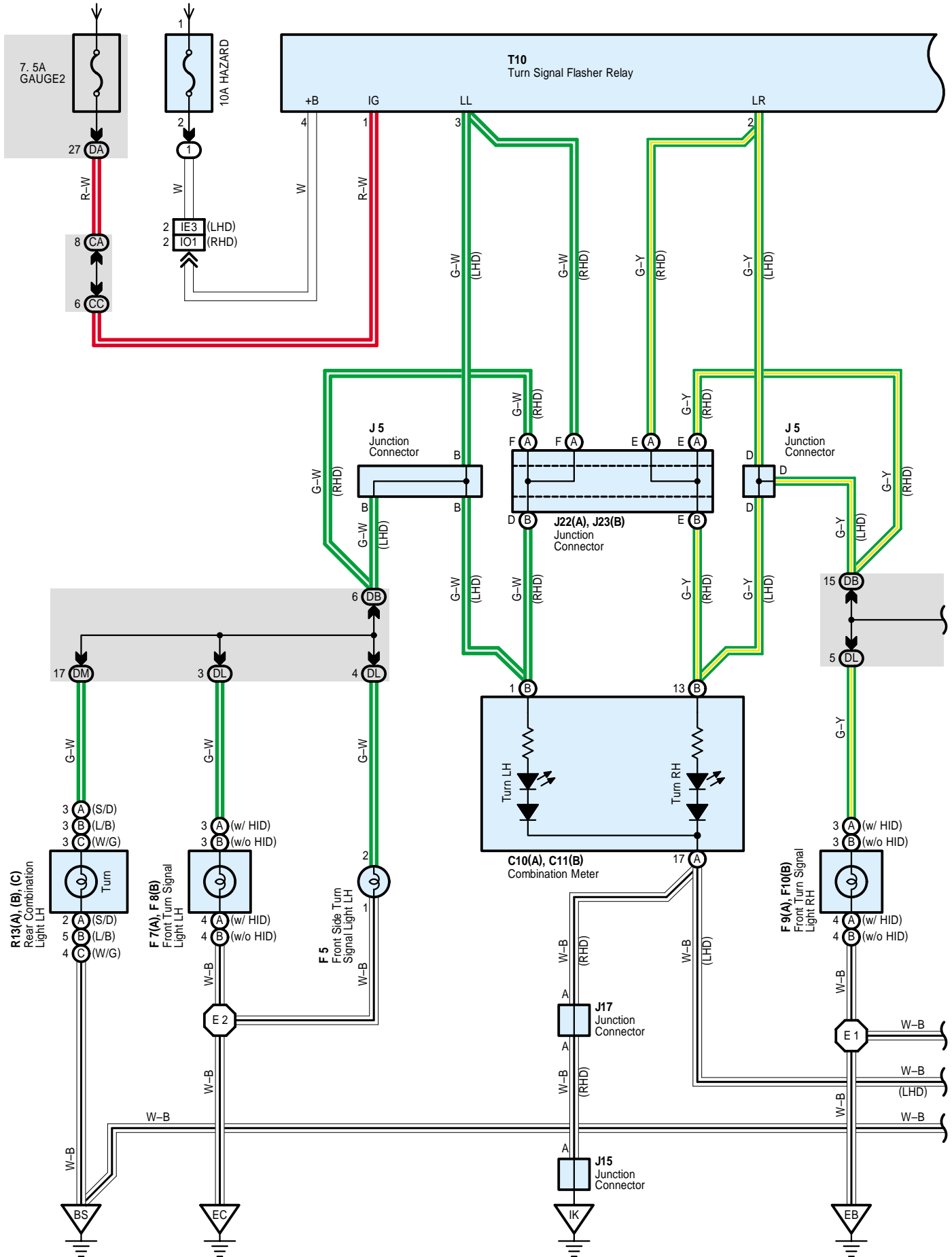
 : Ground Points

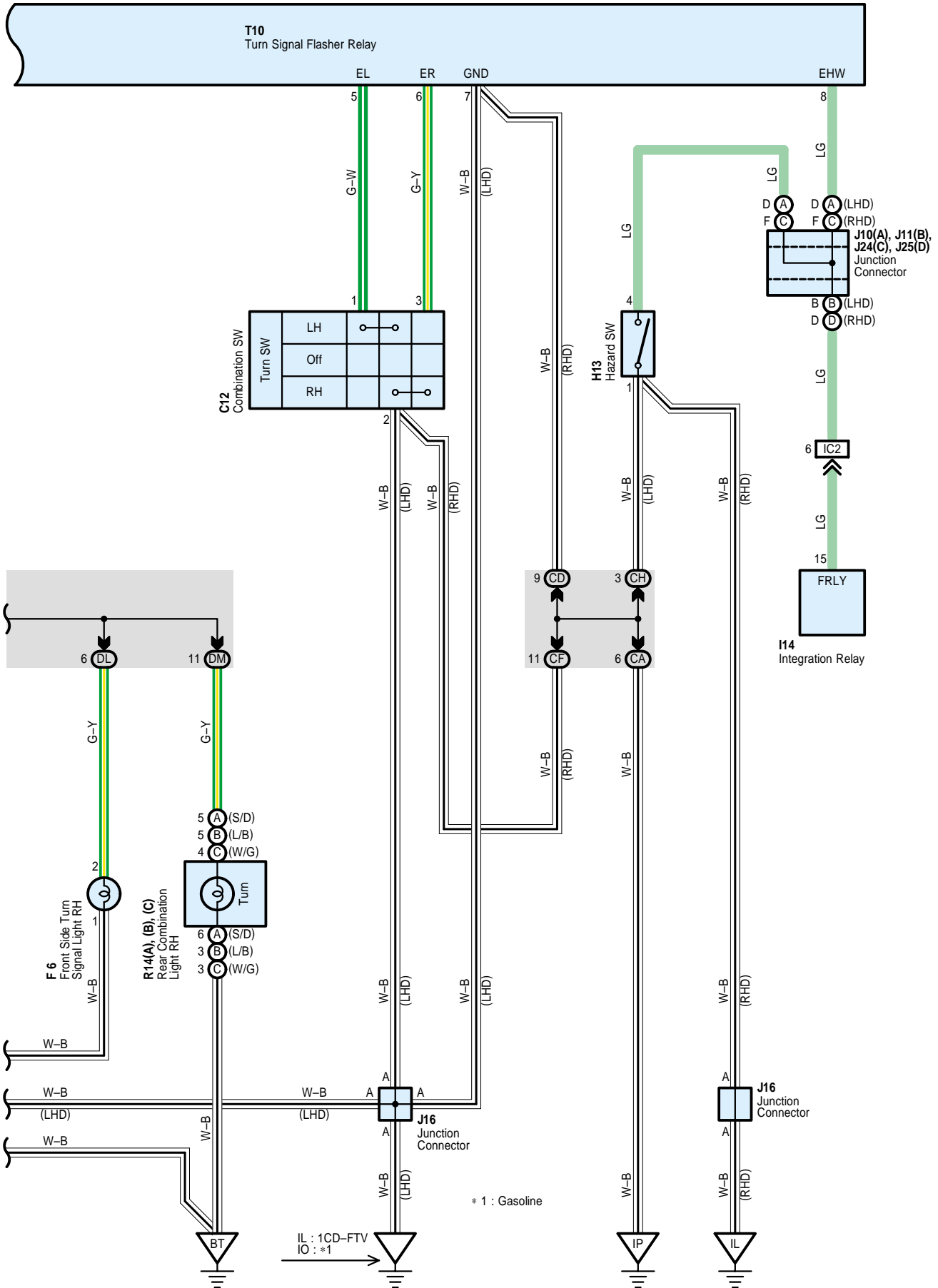
Code	See Page	Ground Points Location
EB	78 (*3)	Engine Compartment Right
	80 (*4)	
	82 (*5)	
	84 (*6)	
	98 (*7)	
	100 (*8)	
	102 (*9)	
	104 (*10)	
EC	78 (*3)	Engine Compartment Left
	80 (*4)	
	82 (*5)	
	84 (*6)	
	98 (*7)	
	100 (*8)	
	102 (*9)	
	104 (*10)	
IK	106 (RHD)	Behind the Combination Meter
IL	86 (LHD)	Behind the Combination Meter
	106 (RHD)	
IO	86 (LHD)	Instrument Panel Reinforcement RH
BS	90 (LHD S/D)	Lower Back Panel Left
	92 (LHD L/B)	
	94 (LHD W/G)	
	110 (RHD S/D)	
	112 (RHD L/B)	
	114 (RHD W/G)	
BT	90 (LHD S/D)	Lower Back Panel Center
	92 (LHD L/B)	Lower Back Panel Center
	94 (LHD W/G)	Lower Back Panel Right
	110 (RHD S/D)	Lower Back Panel Center
	112 (RHD L/B)	Lower Back Panel Center
	114 (RHD W/G)	Lower Back Panel Right
BX	92 (LHD L/B)	Right Side of the Back Door
	94 (LHD W/G)	
	112 (RHD L/B)	
	114 (RHD W/G)	

* 1 : Gasoline * 2 : 1CD-FTV * 3 : LHD 1AZ-FSE * 4 : LHD 1AZ-FE * 5 : LHD 1ZZ-FE, 3ZZ-FE * 6 : LHD 1CD-FTV
 * 7 : RHD 1AZ-FSE * 8 : RHD 1AZ-FE * 9 : RHD 1ZZ-FE, 3ZZ-FE * 10 : RHD 1CD-FTV

Turn Signal and Hazard Warning Light

From Power Source System (See Page 120)





Turn Signal and Hazard Warning Light

Service Hints

T10 Turn Signal Flasher Relay

- 1-Ground : Approx. 12 volts with the ignition SW at ON position
- 4-Ground : Always approx. 12 volts
- 7-Ground : Always continuity

○ : Parts Location

Code	See Page	Code	See Page	Code	See Page						
C10	A	F7	A	I14	46 (LHD)	62 (*9)	47 (LHD)				
					66 (RHD)	64 (*10)	67 (RHD)				
C11	B	F8	B	J5	46 (LHD)	38 (*3)	48 (LHD)				
					66 (RHD)	40 (*4)	J10	A	48 (LHD)		
C12	46 (LHD)			42 (*5)	J11	B	48 (LHD)				
							66 (RHD)	44 (*6)	J15	68 (RHD)	
F5	38 (*3)			F9	A	J16	48 (LHD)				
							40 (*4)	60 (*8)	J17	68 (RHD)	
						42 (*5)	62 (*9)	J22		A	68 (RHD)
						44 (*6)	64 (*10)		J23	B	68 (RHD)
						58 (*7)	F10	B		R13	A
						60 (*8)			38 (*3)		
		62 (*9)	40 (*4)			42 (*5)	B	53 (LHD L/B)			
		64 (*10)	44 (*6)			44 (*6)		73 (RHD L/B)			
F6	38 (*3)	F10	B	R14	A	55 (LHD W/G)					
						40 (*4)	58 (*7)	C	75 (RHD W/G)		
				42 (*5)	60 (*8)	R13	B		51 (LHD S/D)		
				44 (*6)	62 (*9)			71 (RHD S/D)			
				58 (*7)	64 (*10)	44 (*6)	B	53 (LHD L/B)			
				60 (*8)	F11	A		R14	C	73 (RHD L/B)	
				62 (*9)			47 (LHD)			55 (LHD W/G)	
				64 (*10)	64 (*10)	64 (*10)	T10	49 (LHD)			
F7	A	H13	47 (LHD)	69 (RHD)							
					40 (*4)	67 (RHD)					
42 (*5)											
44 (*6)											
58 (*7)											

○ : Relay Blocks

Code	See Page	Relay Blocks (Relay Block Location)
1	24 (*1)	Engine Room R/B No.1 (Engine Compartment Left)
	25 (*2)	

○ : Junction Block and Wire Harness Connector

Code	See Page	Junction Block and Wire Harness (Connector Location)
CA	34	Instrument Panel Wire and Center J/B (Instrument Panel Reinforcement RH)
CC		
CD		
CF		
CH	35	
DA	30	Instrument Panel Wire and Driver Side J/B (Left Side of the Instrument Panel)
DB		
DL	31	Engine Room Main Wire and Driver Side J/B (Left Side of the Instrument Panel)
DM	31	Floor Wire and Driver Side J/B (Left Side of the Instrument Panel)

* 1 : Gasoline * 2 : 1CD-FTV * 3 : LHD 1AZ-FSE * 4 : LHD 1AZ-FE * 5 : LHD 1ZZ-FE, 3ZZ-FE * 6 : LHD 1CD-FTV
 * 7 : RHD 1AZ-FSE * 8 : RHD 1AZ-FE * 9 : RHD 1ZZ-FE, 3ZZ-FE * 10 : RHD 1CD-FTV

 : Connector Joining Wire Harness and Wire Harness

Code	See Page	Joining Wire Harness and Wire Harness (Connector Location)
IC2	86 (LHD)	Instrument Panel Wire and Floor Wire (Left Kick Panel)
	106 (RHD)	
IE3	86 (LHD)	Engine Room Main Wire and Instrument Panel Wire (Behind the Combination Meter)
IO1	108 (RHD)	Engine Room Main Wire and Instrument Panel Wire (Left Side of the Instrument Panel)

 : Ground Points

Code	See Page	Ground Points Location
EB	78 (*3)	Engine Compartment Right
	80 (*4)	
	82 (*5)	
	84 (*6)	
	98 (*7)	
	100 (*8)	
	102 (*9)	
	104 (*10)	
EC	78 (*3)	Engine Compartment Left
	80 (*4)	
	82 (*5)	
	84 (*6)	
	98 (*7)	
	100 (*8)	
	102 (*9)	
	104 (*10)	
IK	86 (LHD)	Behind the Combination Meter
	106 (RHD)	
IL	86 (LHD)	Behind the Combination Meter
	106 (RHD)	
IO	86 (LHD)	Instrument Panel Reinforcement RH
IP	86 (LHD)	Right Kick Panel
	106 (RHD)	
BS	90 (LHD S/D)	Lower Back Panel Left
	92 (LHD L/B)	
	94 (LHD W/G)	
	110 (RHD S/D)	
	112 (RHD L/B)	
	114 (RHD W/G)	
BT	90 (LHD S/D)	Lower Back Panel Center
	92 (LHD L/B)	Lower Back Panel Center
	94 (LHD W/G)	Lower Back Panel Right
	110 (RHD S/D)	Lower Back Panel Center
	112 (RHD L/B)	Lower Back Panel Center
	114 (RHD W/G)	Lower Back Panel Right

* 1 : Gasoline * 2 : 1CD-FTV * 3 : LHD 1AZ-FSE * 4 : LHD 1AZ-FE * 5 : LHD 1ZZ-FE, 3ZZ-FE * 6 : LHD 1CD-FTV
 * 7 : RHD 1AZ-FSE * 8 : RHD 1AZ-FE * 9 : RHD 1ZZ-FE, 3ZZ-FE * 10 : RHD 1CD-FTV

Turn Signal and Hazard Warning Light



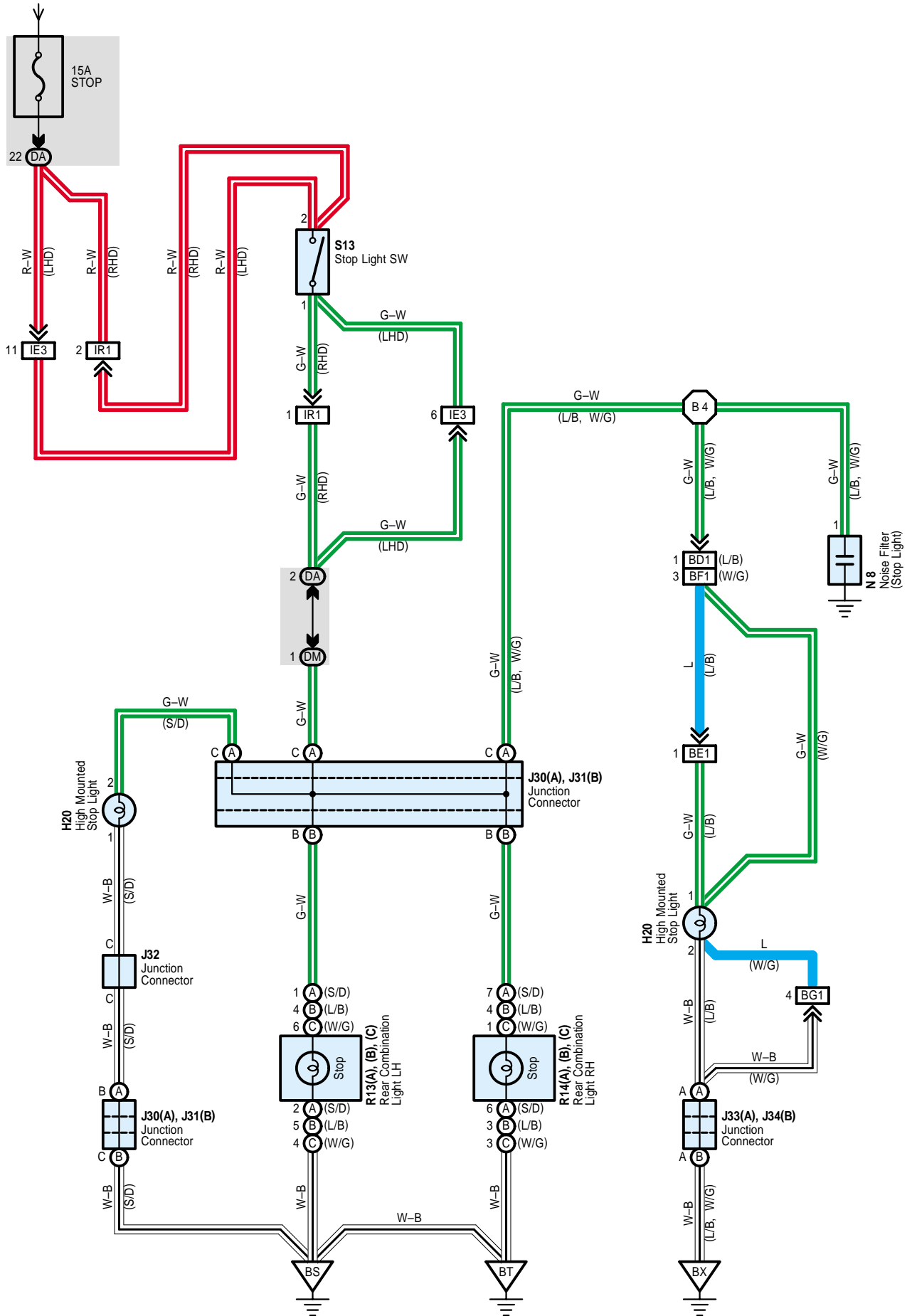
: Splice Points

Code	See Page	Wire Harness with Splice Points	Code	See Page	Wire Harness with Splice Points
E1	78 (*3)	Engine Room Main Wire	E2	78 (*3)	Engine Room Main Wire
	80 (*4)			80 (*4)	
	82 (*5)			82 (*5)	
	84 (*6)			84 (*6)	
	98 (*7)			98 (*7)	
	100 (*8)			100 (*8)	
	102 (*9)			102 (*9)	
	104 (*10)			104 (*10)	

* 1 : Gasoline * 2 : 1CD-FTV * 3 : LHD 1AZ-FSE * 4 : LHD 1AZ-FE * 5 : LHD 1ZZ-FE, 3ZZ-FE * 6 : LHD 1CD-FTV
 * 7 : RHD 1AZ-FSE * 8 : RHD 1AZ-FE * 9 : RHD 1ZZ-FE, 3ZZ-FE * 10 : RHD 1CD-FTV

Stop Light

From Power Source System (See Page 120)



Service Hints

S13 Stop Light SW

2-1 : Closed with the brake pedal depressed

○ : Parts Location

Code	See Page	Code	See Page	Code	See Page		
H20	50 (LHD S/D)	J31	B	75 (RHD W/G)	N8	73 (RHD L/B)	
	52 (LHD L/B)	J32	B	51 (LHD S/D)		75 (RHD W/G)	
	54 (LHD W/G)			53 (LHD L/B)	R13	A	51 (LHD S/D)
	70 (RHD S/D)			55 (LHD W/G)			71 (RHD S/D)
	72 (RHD L/B)			71 (RHD S/D)		B	53 (LHD L/B)
	74 (RHD W/G)			73 (RHD L/B)	73 (RHD L/B)		
J30	A			J33	A	75 (RHD W/G)	R14
		51 (LHD S/D)	53 (LHD L/B)			51 (LHD S/D)	
		53 (LHD L/B)	55 (LHD W/G)			B	
		55 (LHD W/G)	73 (RHD L/B)				53 (LHD L/B)
		71 (RHD S/D)	75 (RHD W/G)			C	73 (RHD L/B)
		73 (RHD L/B)	53 (LHD L/B)				55 (LHD W/G)
75 (RHD W/G)	55 (LHD W/G)	75 (RHD W/G)	75 (RHD W/G)				
J31	B	J34	B	53 (LHD L/B)	S13	49 (LHD)	
				55 (LHD W/G)		53 (LHD L/B)	69 (RHD)
				73 (RHD L/B)		55 (LHD W/G)	
				75 (RHD W/G)	75 (RHD W/G)		
		71 (RHD S/D)	N8	B	53 (LHD L/B)		
		73 (RHD L/B)			55 (LHD W/G)		

○ : Junction Block and Wire Harness Connector

Code	See Page	Junction Block and Wire Harness (Connector Location)
DA	30	Instrument Panel Wire and Driver Side J/B (Left Side of the Instrument Panel)
DM	31	Floor Wire and Driver Side J/B (Left Side of the Instrument Panel)

□ : Connector Joining Wire Harness and Wire Harness

Code	See Page	Joining Wire Harness and Wire Harness (Connector Location)
IE3	86 (LHD)	Engine Room Main Wire and Instrument Panel Wire (Behind the Combination Meter)
IR1	108 (RHD)	Instrument Panel Wire and Cowl Wire (Right Side of the Instrument Panel)
BD1	92 (LHD L/B)	Back Door No.1 Wire and Floor Wire (Under the Left Quarter Pillar)
	112 (RHD L/B)	
BE1	92 (LHD L/B)	Back Door No.2 Wire and Back Door No.1 Wire (Back Door Upper Left)
	112 (RHD L/B)	
BF1	94 (LHD W/G)	Back Door No.1 Wire and Floor Wire (Under the Left Quarter Pillar)
	114 (RHD W/G)	
BG1	94 (LHD W/G)	Back Door No.1 Wire and Back Door No.2 Wire (Back Door Left)
	114 (RHD W/G)	

Stop Light



: Ground Points

Code	See Page	Ground Points Location
BS	90 (LHD S/D)	Lower Back Panel Left
	92 (LHD L/B)	
	94 (LHD W/G)	
	110 (RHD S/D)	
	112 (RHD L/B)	
	114 (RHD W/G)	
BT	90 (LHD S/D)	Lower Back Panel Center
	92 (LHD L/B)	
	94 (LHD W/G)	Lower Back Panel Right
	110 (RHD S/D)	
	112 (RHD L/B)	Lower Back Panel Center
	114 (RHD W/G)	Lower Back Panel Right
BX	92 (LHD L/B)	Right Side of the Back Door
	94 (LHD W/G)	
	112 (RHD L/B)	
	114 (RHD W/G)	

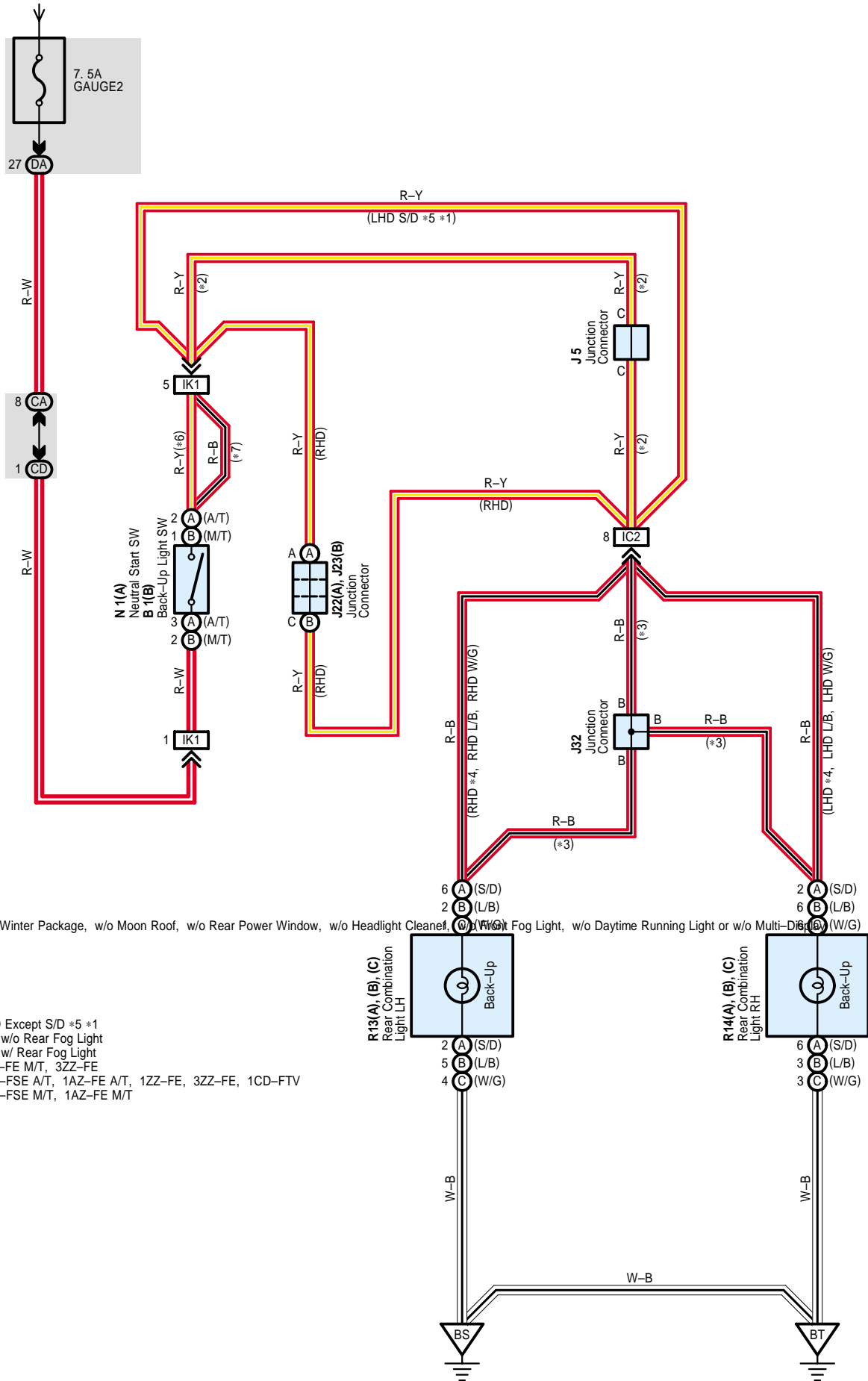


: Splice Points

Code	See Page	Wire Harness with Splice Points	Code	See Page	Wire Harness with Splice Points
B4	92 (LHD L/B)	Floor Wire	B4	112 (RHD L/B)	Floor Wire
	94 (LHD W/G)			114 (RHD W/G)	

Back-Up Light

From Power Source System (See Page 120)



* 1 : w/o Winter Package, w/o Moon Roof, w/o Rear Power Window, w/o Headlight Cleaner, w/o Rear Fog Light, w/o Daytime Running Light or w/o Multi-Directional Fog Light

- * 2 : LHD Except S/D *5 *1
- * 3 : S/D w/o Rear Fog Light
- * 4 : S/D w/ Rear Fog Light
- * 5 : 1ZZ-FE M/T, 3ZZ-FE
- * 6 : 1AZ-FSE A/T, 1AZ-FE A/T, 1ZZ-FE, 3ZZ-FE, 1CD-FTV
- * 7 : 1AZ-FSE M/T, 1AZ-FE M/T

Service Hints

B1 (B) Back-Up Light SW (M/T)

(B) 2-(B) 1 : Closed with the shift lever in R position

N1 (A) Neutral Start SW (A/T)

(A) 3-(A) 2 : Closed with the shift lever in R position

○ : Parts Location

Code	See Page	Code	See Page	Code	See Page	
B1	B	38 (*3)	J23	B	68 (RHD)	
		40 (*4)	J32		51 (LHD S/D)	
		42 (*5)			71 (RHD S/D)	
		44 (*6)			N1	A
		58 (*7)	41 (*4)			
		62 (*9)	43 (*5)			
		64 (*10)	59 (*7)			
J5	48 (LHD)			61 (*8)		
J22	A	68 (RHD)		63 (*9)		
				R13	A	51 (LHD S/D)
					B	71 (RHD S/D)
					C	73 (RHD L/B)
				R14	A	75 (RHD W/G)
					B	51 (LHD S/D)
					C	71 (RHD S/D)
						53 (LHD L/B)
						55 (LHD W/G)

○ : Junction Block and Wire Harness Connector

Code	See Page	Junction Block and Wire Harness (Connector Location)
CA	34	Instrument Panel Wire and Center J/B (Instrument Panel Reinforcement RH)
CD		
DA	30	Instrument Panel Wire and Driver Side J/B (Left Side of the Instrument Panel)

□ : Connector Joining Wire Harness and Wire Harness

Code	See Page	Joining Wire Harness and Wire Harness (Connector Location)
IC2	86 (LHD)	Instrument Panel Wire and Floor Wire (Left Kick Panel)
	106 (RHD)	
IK1	88 (LHD)	Engine Wire and Instrument Panel Wire (Behind the Glove Box)
	108 (RHD)	

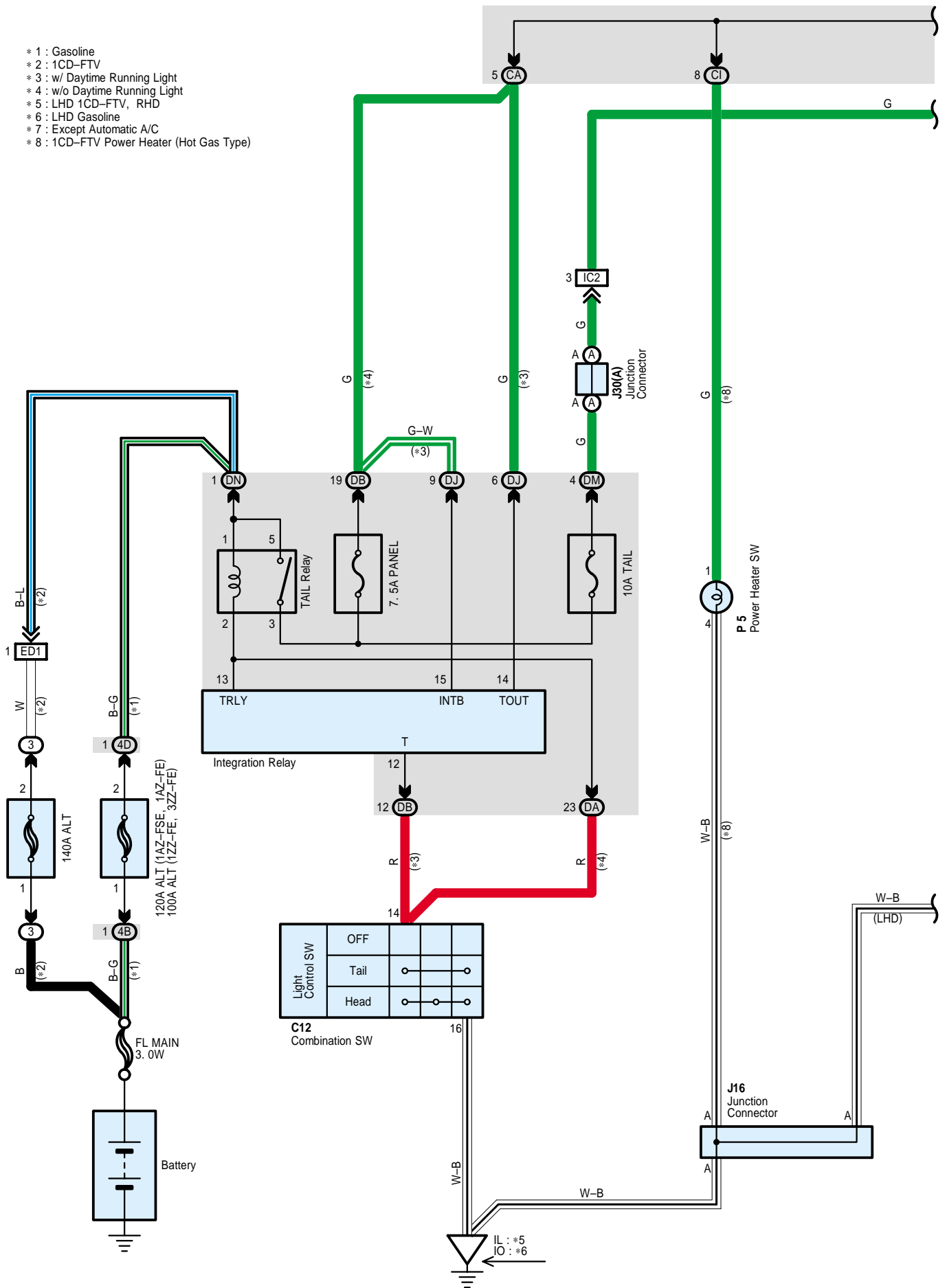
▽ : Ground Points

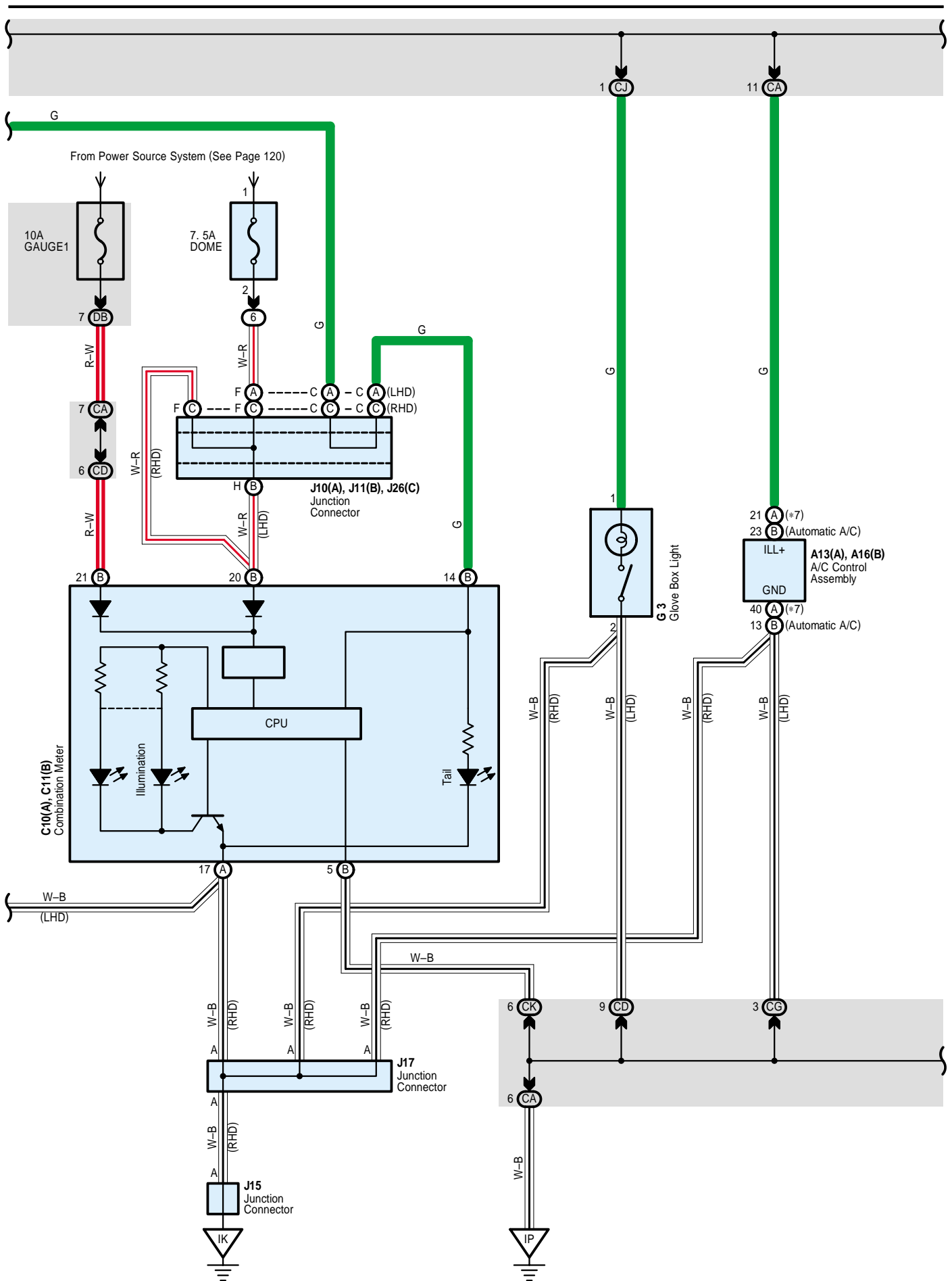
Code	See Page	Ground Points Location
BS	90 (LHD S/D)	Lower Back Panel Left
	92 (LHD L/B)	
	94 (LHD W/G)	
	110 (RHD S/D)	
	112 (RHD L/B)	
	114 (RHD W/G)	
BT	90 (LHD S/D)	Lower Back Panel Center
	92 (LHD L/B)	
	94 (LHD W/G)	Lower Back Panel Right
	110 (RHD S/D)	
	112 (RHD L/B)	Lower Back Panel Center
	114 (RHD W/G)	Lower Back Panel Right

* 1 : Gasoline * 2 : 1CD-FTV * 3 : LHD 1AZ-FSE * 4 : LHD 1AZ-FE * 5 : LHD 1ZZ-FE, 3ZZ-FE * 6 : LHD 1CD-FTV
 * 7 : RHD 1AZ-FSE * 8 : RHD 1AZ-FE * 9 : RHD 1ZZ-FE, 3ZZ-FE * 10 : RHD 1CD-FTV

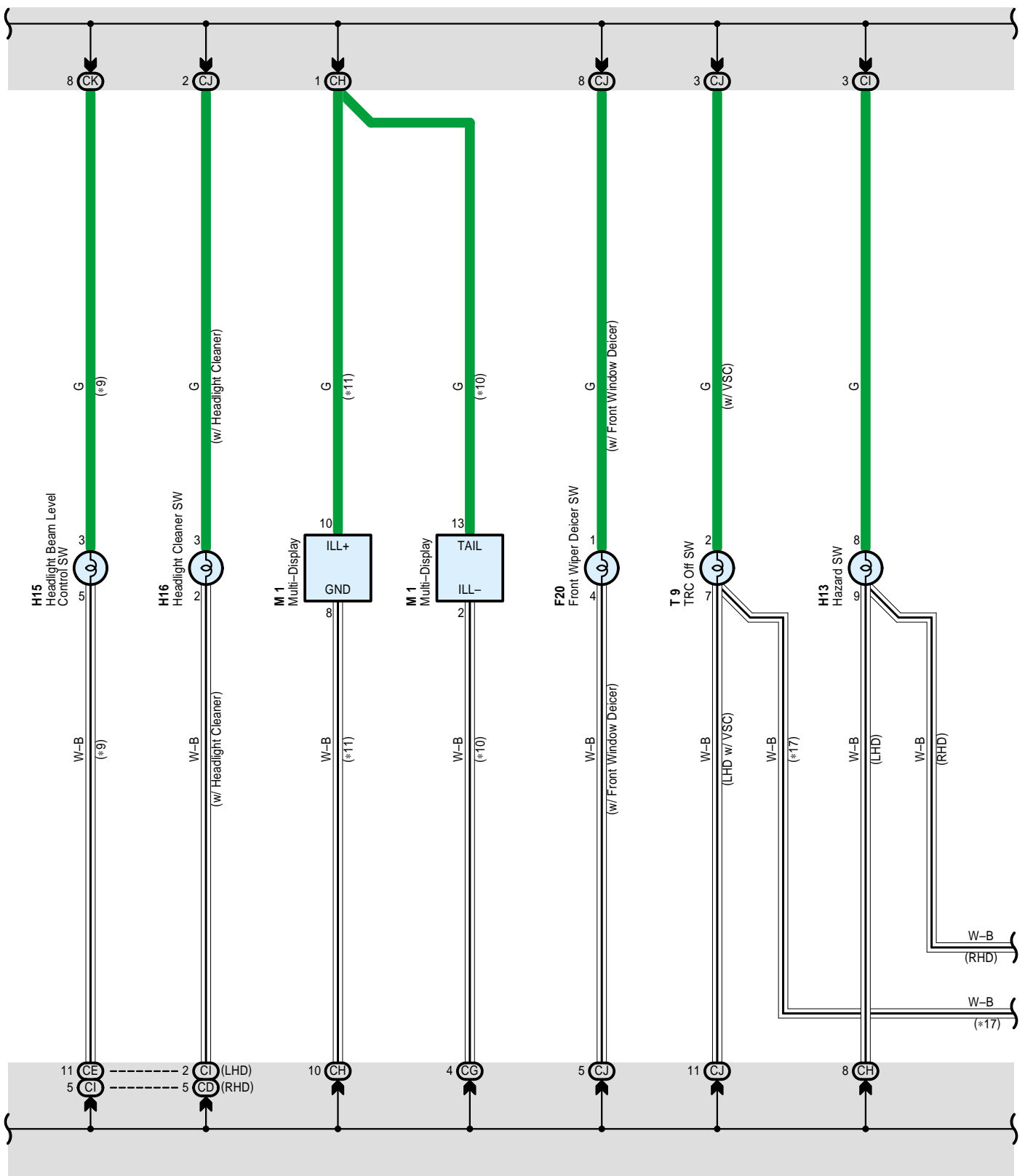
Illumination

- * 1 : Gasoline
- * 2 : 1CD-FTV
- * 3 : w/ Daytime Running Light
- * 4 : w/o Daytime Running Light
- * 5 : LHD 1CD-FTV, RHD
- * 6 : LHD Gasoline
- * 7 : Except Automatic A/C
- * 8 : 1CD-FTV Power Heater (Hot Gas Type)

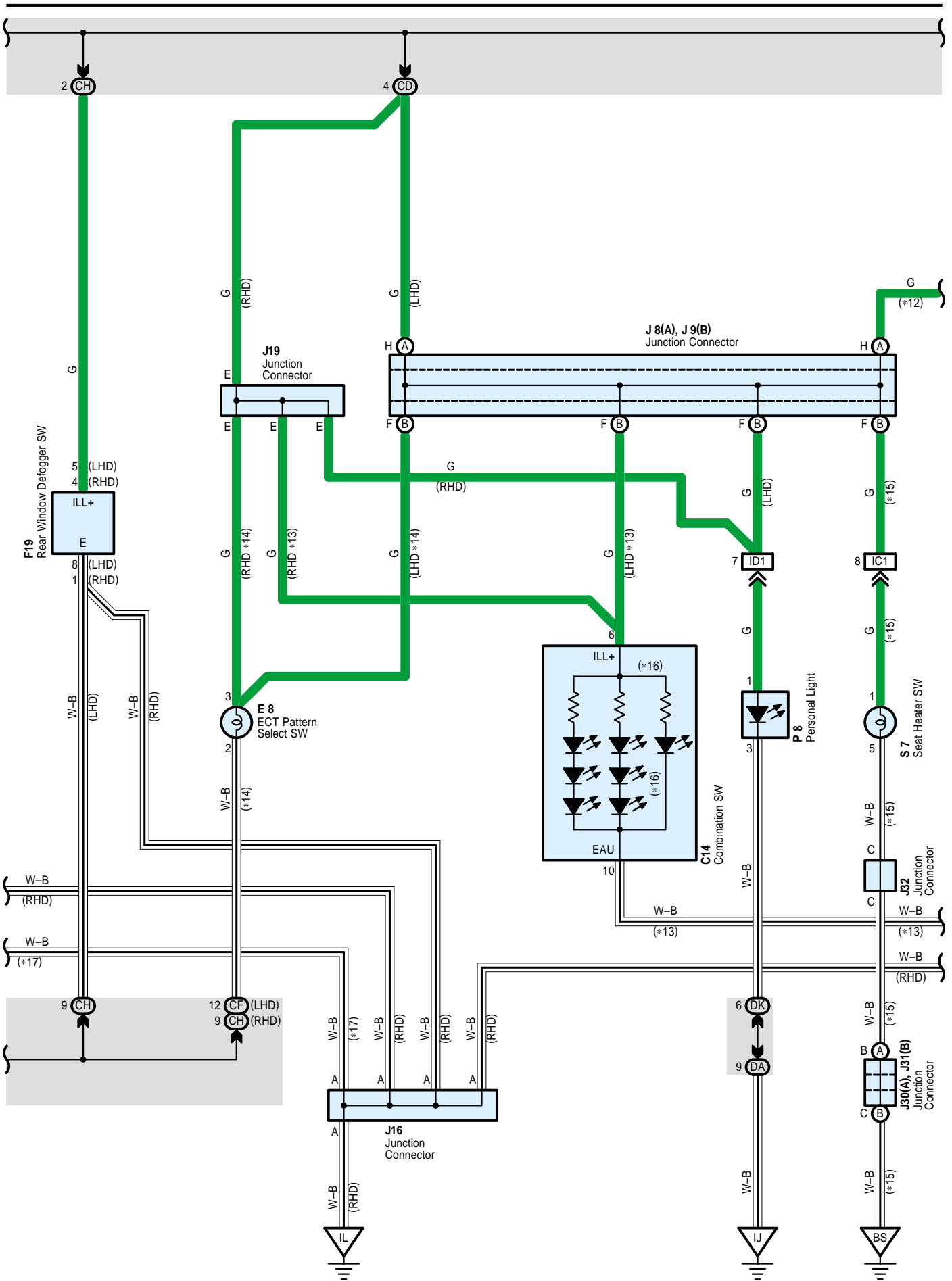




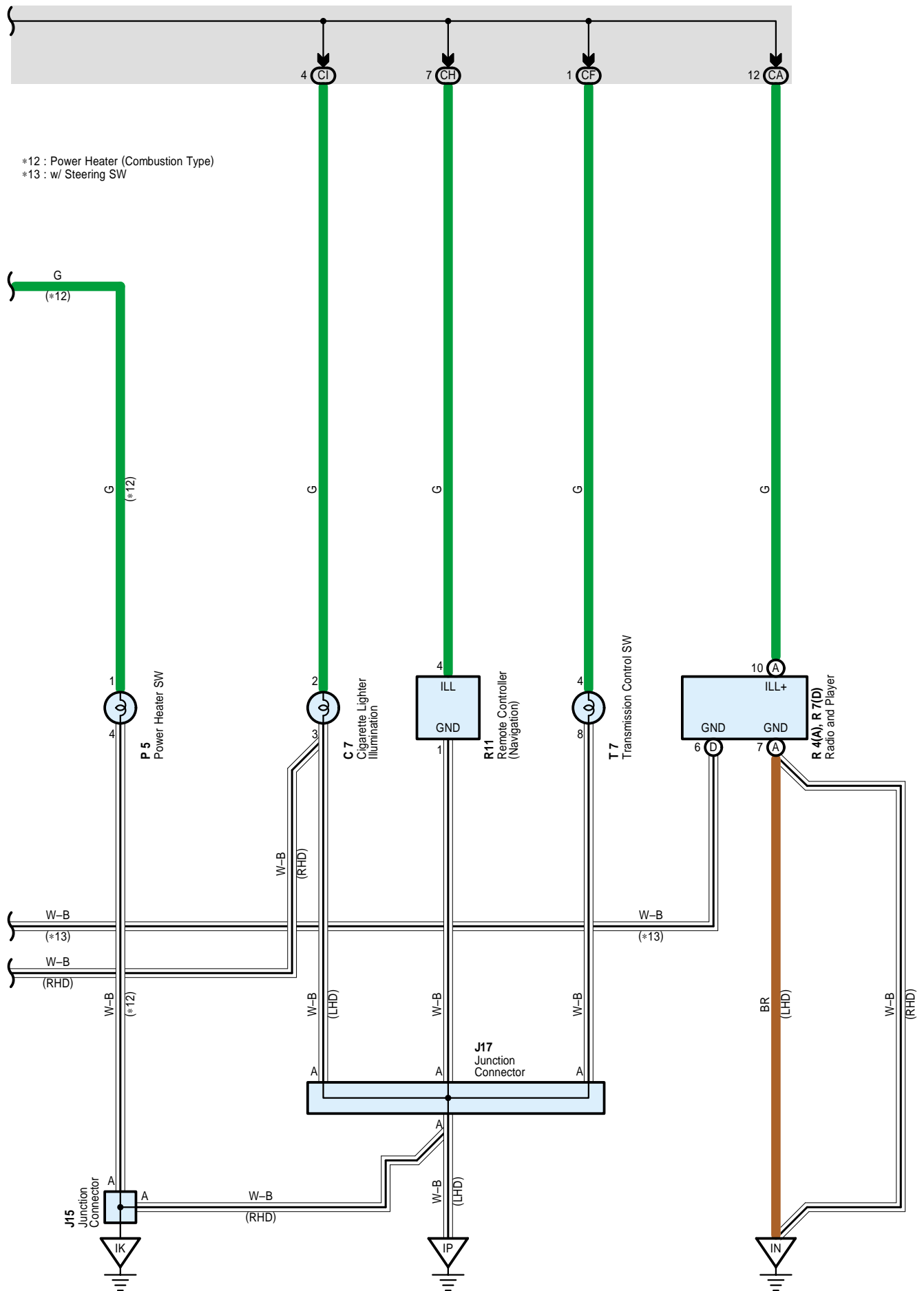
Illumination



- * 9 : w/ Headlight Beam Level Control w/o HID
- * 10 : w/ Navigation System (Map Type)
- * 11 : w/ Multi-Display w/o Navigation System (Map Type)
- * 12 : Power Heater (Combustion Type)
- * 13 : w/ Steering SW
- * 14 : A/T Except 1AZ-FE
- * 15 : w/ Seat Heater
- * 16 : w/ Multi-Display
- * 17 : RHD w/ VSC



Illumination



*12 : Power Heater (Combustion Type)
 *13 : w/ Steering SW

Service Hints

C12 Combination SW

14-16 : Closed with the light control SW at TAIL or HEAD position

○ : Parts Location

Code	See Page	Code	See Page	Code	See Page						
A13	A	46 (LHD)		H15	67 (RHD)						
		66 (RHD)			H16	47 (LHD)					
A16	B	46 (LHD)		67 (RHD)		J32	51 (LHD S/D)				
		66 (RHD)		J8	A		48 (LHD)		53 (LHD L/B)		
C7		46 (LHD)		J9	B	48 (LHD)		M1	48 (LHD)		
		66 (RHD)		J10	A	48 (LHD)			68 (RHD)		
C10	A	46 (LHD)		J11	B	48 (LHD)		P5	49 (LHD)		
		66 (RHD)		J15		48 (LHD)			69 (RHD)		
C11	B	46 (LHD)		J15		68 (RHD)		P8	51 (LHD S/D)		
		66 (RHD)		J16		48 (LHD)			53 (LHD L/B)		
C12		46 (LHD)		J16		68 (RHD)			55 (LHD W/G)		
		66 (RHD)		J17		48 (LHD)			71 (RHD S/D)		
C14		46 (LHD)		J17		68 (RHD)			73 (RHD L/B)		
		66 (RHD)		J19		68 (RHD)			75 (RHD W/G)		
E8		47 (LHD)		J26	C	68 (RHD)		R4	A	49 (LHD)	
		67 (RHD)		J30		A	51 (LHD S/D)		R7	D	69 (RHD)
F19		47 (LHD)		J30			53 (LHD L/B)				49 (LHD)
		67 (RHD)		J30			55 (LHD W/G)		69 (RHD)		
F20		47 (LHD)		J30			71 (RHD S/D)		49 (LHD)		
		67 (RHD)		J30			73 (RHD L/B)		69 (RHD)		
G3		47 (LHD)		J30			75 (RHD W/G)		R11	49 (LHD)	
		67 (RHD)		J31		B	51 (LHD S/D)		S7	49 (LHD)	
H13		47 (LHD)		J31			53 (LHD L/B)		T7	49 (LHD)	
		67 (RHD)		J31			55 (LHD W/G)		69 (RHD)		
H15		47 (LHD)		J31		55 (LHD W/G)		T9	49 (LHD)		
									69 (RHD)		

○ : Relay Blocks

Code	See Page	Relay Blocks (Relay Block Location)
3	26	Engine Room R/B No.3 (Left Side of the Suspension Tower)
6	29	Fuse Block (Lower Finish Panel)

Illumination

: Junction Block and Wire Harness Connector

Code	See Page	Junction Block and Wire Harness (Connector Location)
4B	27	Engine Room Main Wire and Engine Room J/B No.4 (Left Side of the Suspension Tower)
4D		
CA	34	Instrument Panel Wire and Center J/B (Instrument Panel Reinforcement RH)
CD		
CE		
CF		
CG		
CH	35	Instrument Panel Wire and Center J/B (Instrument Panel Reinforcement RH)
CI		
CJ		
CK		
DA	30	Instrument Panel Wire and Driver Side J/B (Left Side of the Instrument Panel)
DB		
DJ		
DK	31	Roof Wire and Driver Side J/B (Left Side of the Instrument Panel)
DM	31	Floor Wire and Driver Side J/B (Left Side of the Instrument Panel)
DN	31	Engine Room Main Wire and Driver Side J/B (Left Side of the Instrument Panel)

: Connector Joining Wire Harness and Wire Harness

Code	See Page	Joining Wire Harness and Wire Harness (Connector Location)
ED1	84 (*6)	Engine Wire and Engine Room Main Wire (Left Side of the Suspension Tower)
	104 (*10)	
IC1	86 (LHD)	Instrument Panel Wire and Floor Wire (Left Kick Panel)
IC2	86 (LHD)	
	106 (RHD)	
ID1	86 (LHD)	Instrument Panel Wire and Roof Wire (Left Side of the Instrument Panel)
	106 (RHD)	

: Ground Points

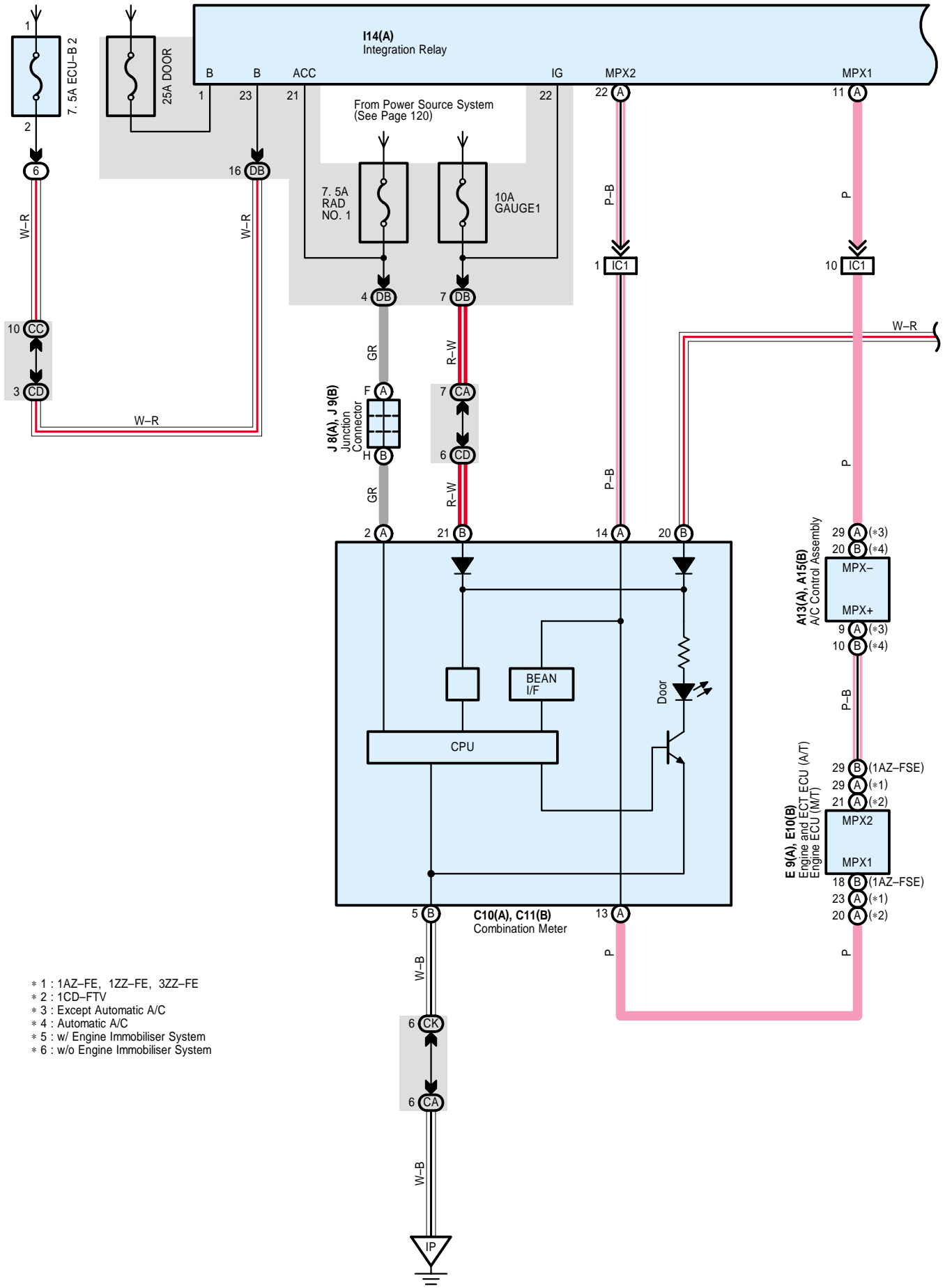
Code	See Page	Ground Points Location
IJ	86 (LHD)	Left Kick Panel
	106 (RHD)	
IK	86 (LHD)	Behind the Combination Meter
	106 (RHD)	
IL	86 (LHD)	
	106 (RHD)	
IN	86 (LHD)	Instrument Panel Reinforcement Center
	106 (RHD)	
IO	86 (LHD)	Instrument Panel Reinforcement RH
IP	86 (LHD)	Right Kick Panel
	106 (RHD)	
BS	90 (LHD S/D)	Lower Back Panel Left
	92 (LHD L/B)	
	94 (LHD W/G)	

* 1 : Gasoline * 2 : 1CD-FTV * 3 : LHD 1AZ-FSE * 4 : LHD 1AZ-FE * 5 : LHD 1ZZ-FE, 3ZZ-FE * 6 : LHD 1CD-FTV

* 7 : RHD 1AZ-FSE * 8 : RHD 1AZ-FE * 9 : RHD 1ZZ-FE, 3ZZ-FE * 10 : RHD 1CD-FTV

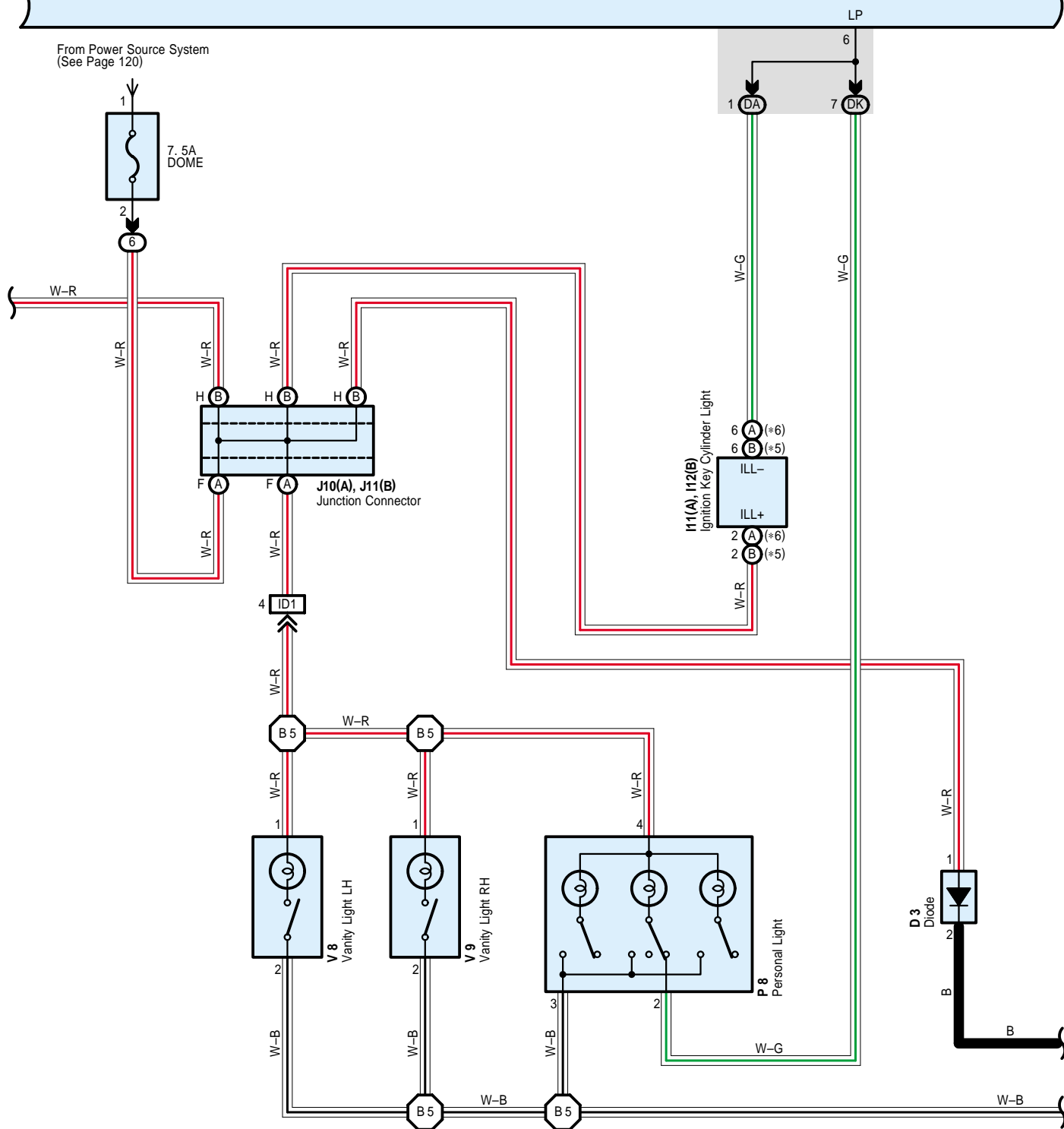
Interior Light (LHD)

From Power Source System (See Page 120)

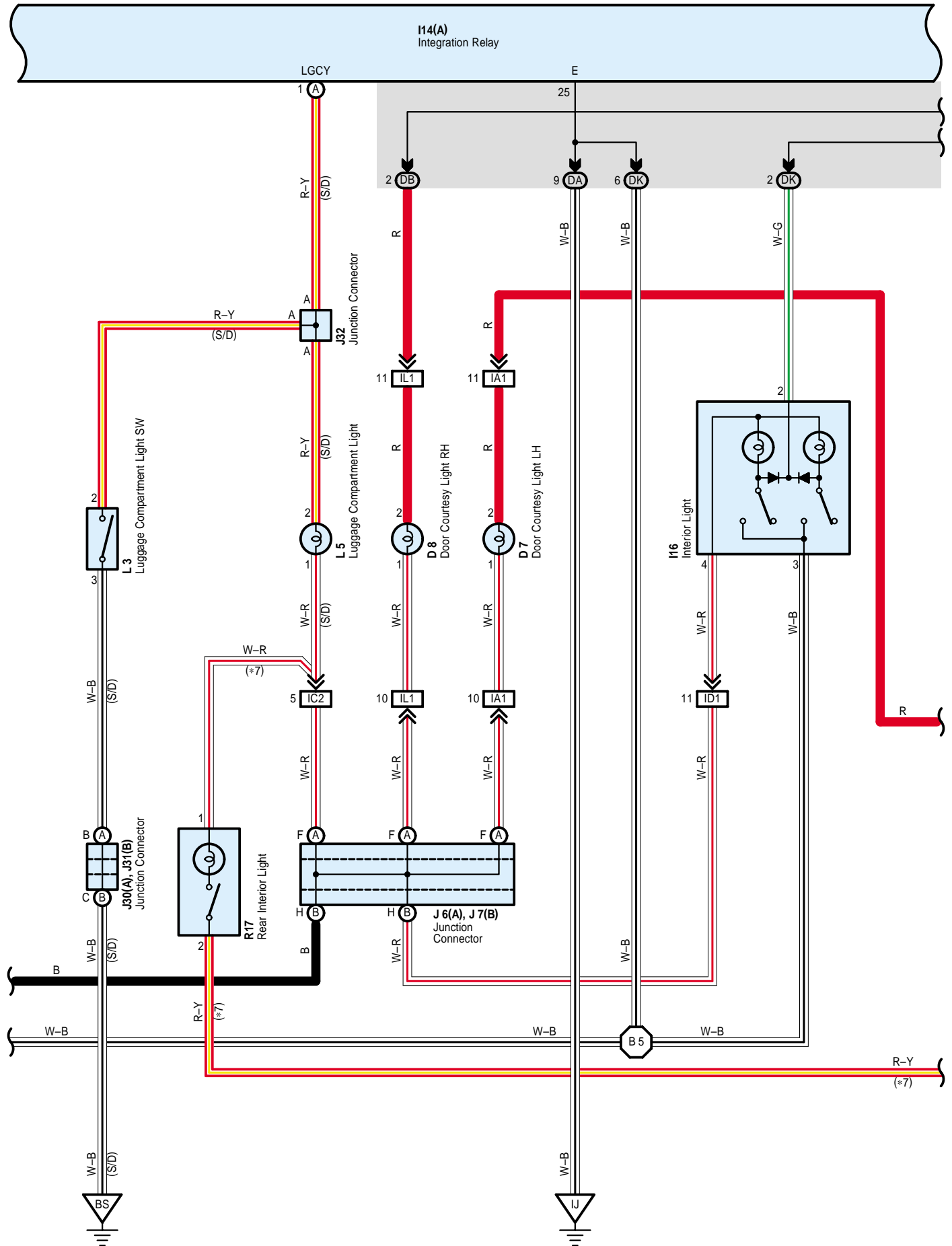


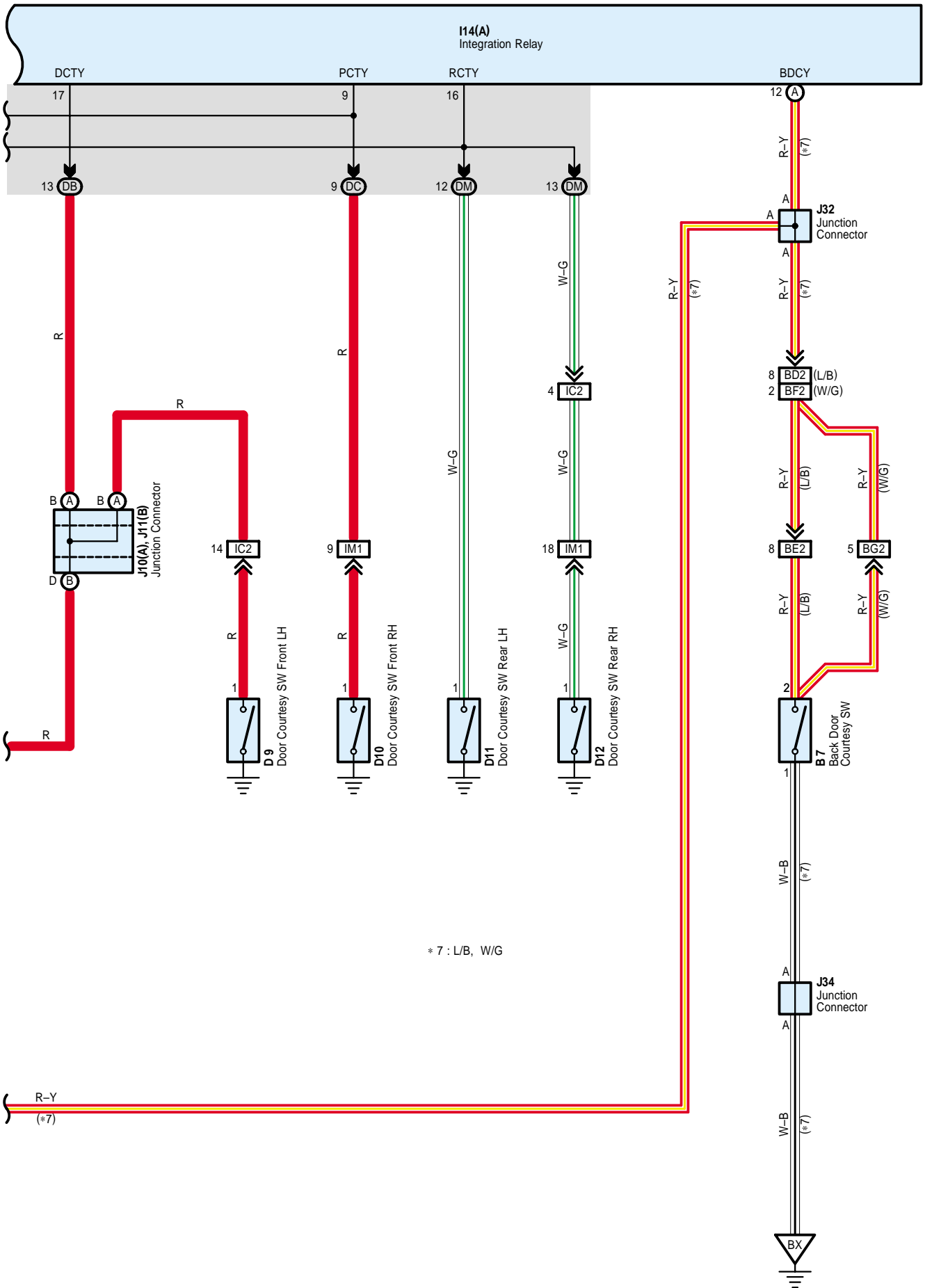
- * 1 : 1AZ-FE, 1ZZ-FE, 3ZZ-FE
- * 2 : 1CD-FTV
- * 3 : Except Automatic A/C
- * 4 : Automatic A/C
- * 5 : w/ Engine Immobiliser System
- * 6 : w/o Engine Immobiliser System

I14(A)
Integration Relay



Interior Light (LHD)





Interior Light (LHD)

System Outline

Illuminated Entry System

1. Light on Condition

The light comes on when either of the following conditions is met:

- * When any of the doors is open (Except the luggage compartment door (S/D) or back door (L/B, W/G)).
- * When all doors are closed and the ignition SW is set to OFF.

2. Light off Condition

The light gradually goes off when any of the following conditions is met (The dome light must be turned on):

- * When the ignition SW is kept in the ON position for more than approximately 12 to 18 seconds after all doors are closed.
- * When all doors are closed and the driver's and front passenger's side doors are locked.
- * When all doors are closed and the ignition SW is set to ACC or ON.

Service Hints

D9, D10, D11, D12 Door Courtesy SW Front LH, RH, Rear LH, RH

1-Ground : Continuity with the door open

Integration Relay

- 1-Ground : Always approx. 12 volts
- 23-Ground : Always approx. 12 volts
- 22-Ground : Approx. 12 volts with the ignition SW at ON position
- 25-Ground : Always continuity

○ : Parts Location

Code	See Page	Code	See Page	Code	See Page		
A13	A	D11	52 (LHD L/B)	J31	B	51 (LHD S/D)	
A15	B		54 (LHD W/G)	J32		51 (LHD S/D)	
B7		D12	50 (LHD S/D)				53 (LHD L/B)
			52 (LHD L/B)				55 (LHD W/G)
C10	A		54 (LHD W/G)	J34			53 (LHD L/B)
C11	B	E9	A		47 (LHD)		55 (LHD W/G)
D3		E10	B	47 (LHD)	L3	51 (LHD S/D)	
D7		I11	A	47 (LHD)	L5	51 (LHD S/D)	
		I12	B	47 (LHD)	P8	51 (LHD S/D)	
		I14	A	47 (LHD)		53 (LHD L/B)	
D8		I16		50 (LHD S/D)			55 (LHD W/G)
			52 (LHD L/B)	R17	53 (LHD L/B)		
			54 (LHD W/G)		55 (LHD W/G)		
D9		J6	A	48 (LHD)	V8	51 (LHD S/D)	
		J7	B	48 (LHD)		53 (LHD L/B)	
		J8	A	48 (LHD)		55 (LHD W/G)	
D10		J9	B	48 (LHD)	V9	51 (LHD S/D)	
		J10	A	48 (LHD)		53 (LHD L/B)	
		J11	B	48 (LHD)		55 (LHD W/G)	
D11		J30	A	51 (LHD S/D)			

○ : Relay Blocks

Code	See Page	Relay Blocks (Relay Block Location)
6	29	Fuse Block (Lower Finish Panel)

 : **Junction Block and Wire Harness Connector**

Code	See Page	Junction Block and Wire Harness (Connector Location)
CA	34	Instrument Panel Wire and Center J/B (Instrument Panel Reinforcement RH)
CC		
CD		
CK	35	
DA	30	Instrument Panel Wire and Driver Side J/B (Left Side of the Instrument Panel)
DB		
DC		
DK	31	Roof Wire and Driver Side J/B (Left Side of the Instrument Panel)
DM	31	Floor Wire and Driver Side J/B (Left Side of the Instrument Panel)

 : **Connector Joining Wire Harness and Wire Harness**

Code	See Page	Joining Wire Harness and Wire Harness (Connector Location)
IA1	86 (LHD)	Front Door LH Wire and Instrument Panel Wire (Left Kick Panel)
IC1	86 (LHD)	Instrument Panel Wire and Floor Wire (Left Kick Panel)
IC2		
ID1	86 (LHD)	Instrument Panel Wire and Roof Wire (Left Side of the Instrument Panel)
IL1	88 (LHD)	Front Door RH Wire and Instrument Panel Wire (Right Kick Panel)
IM1	88 (LHD)	Instrument Panel Wire and Floor No.2 Wire (Right Kick Panel)
BD2	92 (LHD L/B)	Back Door No.1 Wire and Floor Wire (Under the Left Quarter Pillar)
BE2	92 (LHD L/B)	Back Door No.2 Wire and Back Door No.1 Wire (Back Door Upper Left)
BF2	94 (LHD W/G)	Back Door No.1 Wire and Floor Wire (Under the Left Quarter Pillar)
BG2	94 (LHD W/G)	Back Door No.1 Wire and Back Door No.2 Wire (Back Door Left)

 : **Ground Points**

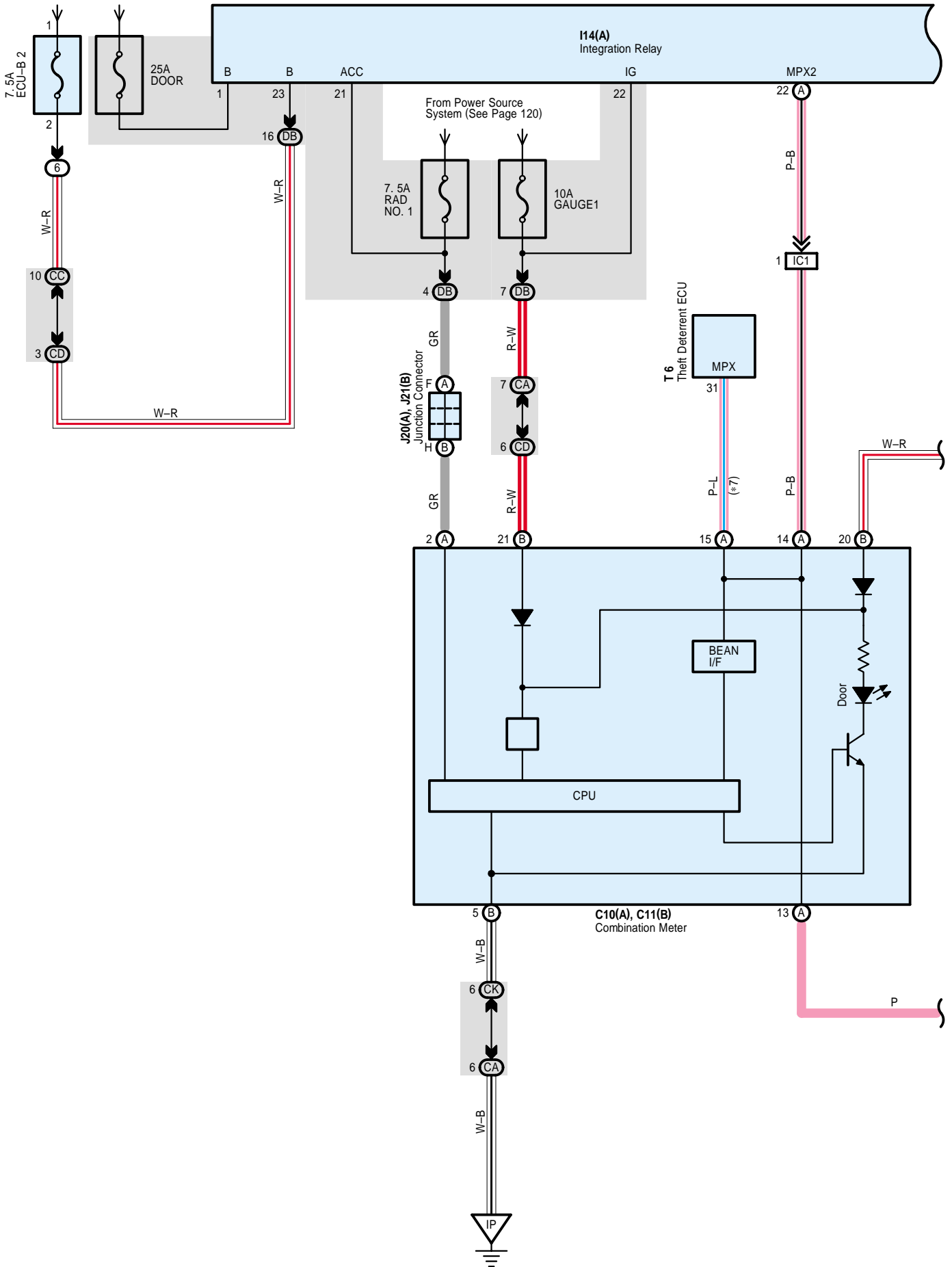
Code	See Page	Ground Points Location
IJ	86 (LHD)	Left Kick Panel
IP	86 (LHD)	Right Kick Panel
BS	90 (LHD S/D)	Lower Back Panel Left
BX	92 (LHD L/B)	Right Side of the Back Door
	94 (LHD W/G)	

 : **Splice Points**

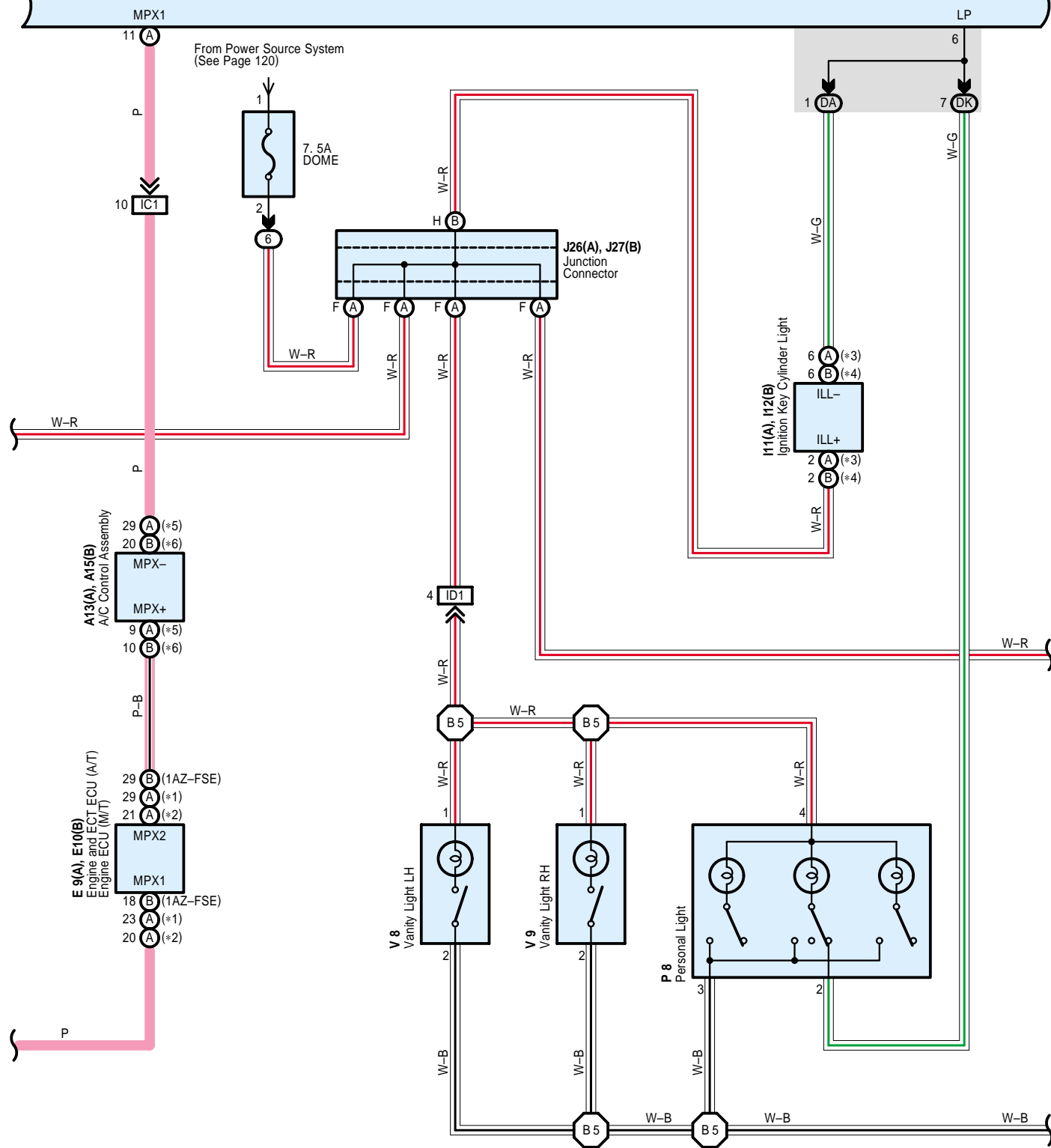
Code	See Page	Wire Harness with Splice Points	Code	See Page	Wire Harness with Splice Points
B5	90 (LHD S/D)	Roof Wire	B5	94 (LHD W/G)	Roof Wire
	92 (LHD L/B)				

Interior Light (RHD)

From Power Source System (See Page 120)

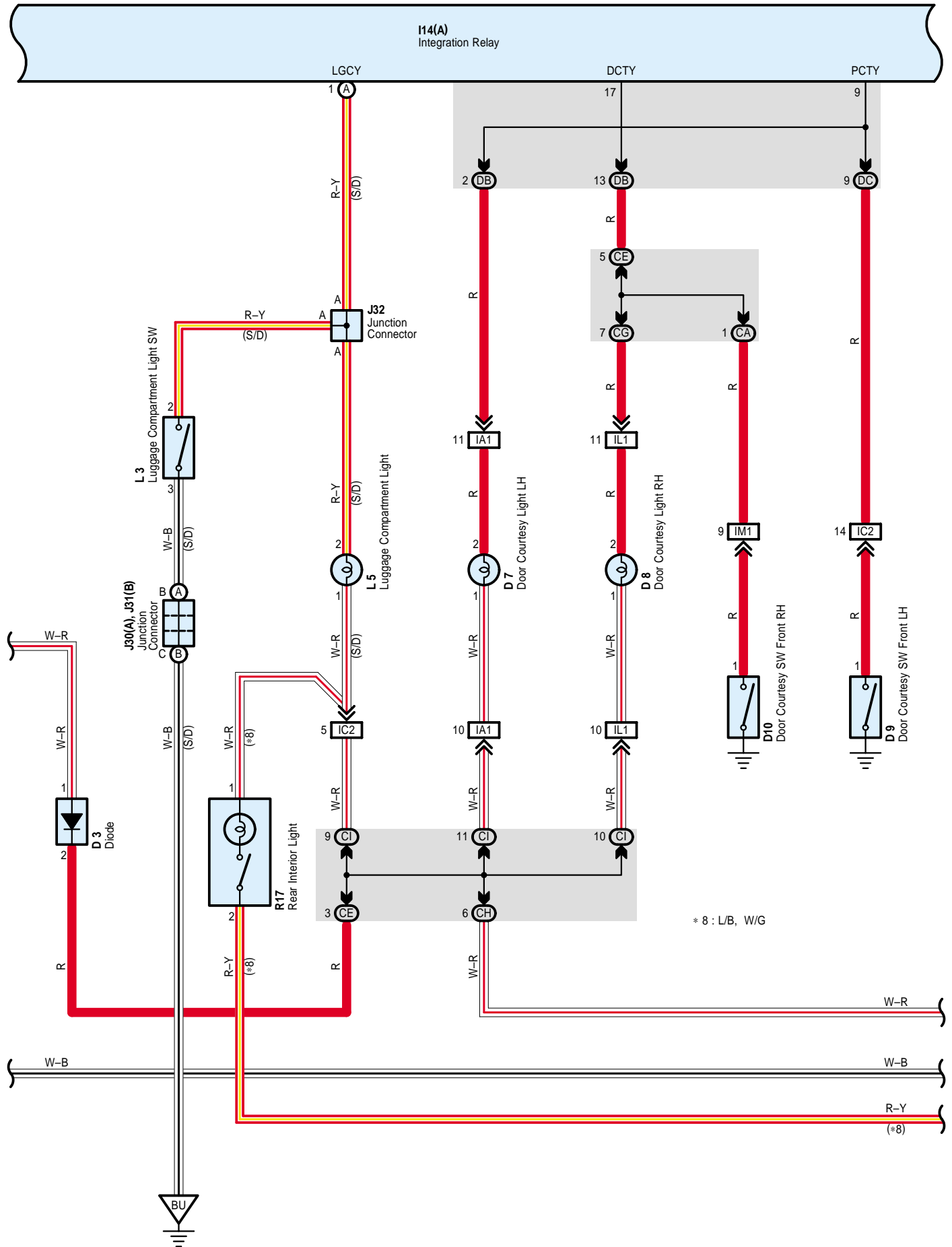


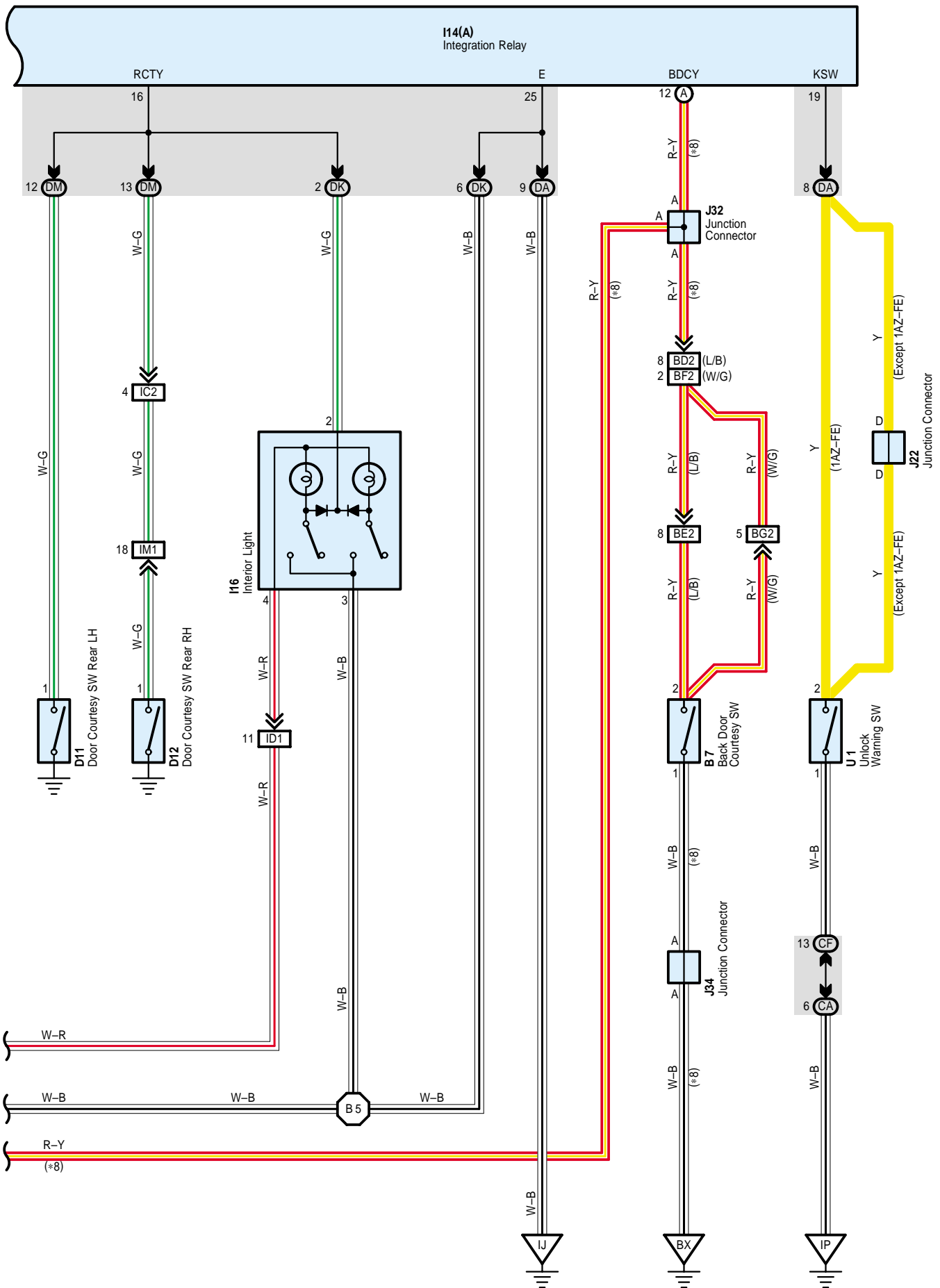
I14(A)
Integration Relay



- * 1 : 1AZ-FE, 1ZZ-FE, 3ZZ-FE
- * 2 : 1CD-FTV
- * 3 : w/o Engine Immobiliser System
- * 4 : w/ Engine Immobiliser System
- * 5 : Except Automatic A/C
- * 6 : Automatic A/C
- * 7 : w/ Theft Deterrent

Interior Light (RHD)





Interior Light (RHD)

System Outline

Illuminated Entry System

1. Light on Condition

The light comes on when either of the following conditions is met:

- * When any of the doors is open (Except the luggage compartment door (S/D) or back door (L/B, W/G)).
- * When all doors are closed and the ignition SW is set to OFF.

2. Light off Condition

The light gradually goes off when any of the following conditions is met (The dome light must be turned on):

- * When the ignition SW is kept in the ON position for more than approximately 12 to 18 seconds after all doors are closed.
- * When all doors are closed and the driver's and front passenger's side doors are locked.
- * When all doors are closed and the ignition SW is set to ACC or ON.

Service Hints

D9, D10, D11, D12 Door Courtesy SW Front LH, RH, Rear LH, RH

1-Ground : Continuity with the door open

Integration Relay

- 1-Ground : Always approx. 12 volts
- 23-Ground : Always approx. 12 volts
- 22-Ground : Approx. 12 volts with the ignition SW at ON position
- 25-Ground : Always continuity

○ : Parts Location

Code		See Page	Code		See Page	Code		See Page	
A13	A	66 (RHD)	D11		72 (RHD L/B)	J32		71 (RHD S/D)	
A15	B	66 (RHD)			74 (RHD W/G)				73 (RHD L/B)
B7		72 (RHD L/B)	D12		70 (RHD S/D)	J34		75 (RHD W/G)	
		74 (RHD W/G)			72 (RHD L/B)				73 (RHD L/B)
C10	A	66 (RHD)			74 (RHD W/G)			75 (RHD W/G)	
C11	B	66 (RHD)	E9	A	67 (RHD)	L3		71 (RHD S/D)	
D3		67 (RHD)	E10	B	67 (RHD)	L5		71 (RHD S/D)	
D7		70 (RHD S/D)	I11	A	67 (RHD)	P8		71 (RHD S/D)	
		72 (RHD L/B)	I12	B	67 (RHD)				73 (RHD L/B)
		74 (RHD W/G)	I14	A	67 (RHD)				75 (RHD W/G)
D8		70 (RHD S/D)	I16		70 (RHD S/D)	R17		73 (RHD L/B)	
		72 (RHD L/B)			72 (RHD L/B)				75 (RHD W/G)
		74 (RHD W/G)			74 (RHD W/G)		T6		69 (RHD)
D9		70 (RHD S/D)	J20	A	68 (RHD)	V8		69 (RHD)	
		72 (RHD L/B)	J21	B	68 (RHD)				71 (RHD S/D)
		74 (RHD W/G)	J22		68 (RHD)				73 (RHD L/B)
D10		70 (RHD S/D)	J26	A	68 (RHD)			75 (RHD W/G)	
		72 (RHD L/B)	J27	B	68 (RHD)	V9		71 (RHD S/D)	
		74 (RHD W/G)	J30	A	71 (RHD S/D)				73 (RHD L/B)
D11		70 (RHD S/D)	J31	B	71 (RHD S/D)				75 (RHD W/G)

○ : Relay Blocks

Code	See Page	Relay Blocks (Relay Block Location)
6	29	Fuse Block (Lower Finish Panel)

 : **Junction Block and Wire Harness Connector**

Code	See Page	Junction Block and Wire Harness (Connector Location)
CA	34	Instrument Panel Wire and Center J/B (Instrument Panel Reinforcement RH)
CC		
CD		
CE		
CF		
CG		
CH	35	
CI		
CK		
DA	30	Instrument Panel Wire and Driver Side J/B (Left Side of the Instrument Panel)
DB		
DC		
DK	31	Roof Wire and Driver Side J/B (Left Side of the Instrument Panel)
DM	31	Floor Wire and Driver Side J/B (Left Side of the Instrument Panel)

 : **Connector Joining Wire Harness and Wire Harness**

Code	See Page	Joining Wire Harness and Wire Harness (Connector Location)
IA1	106 (RHD)	Front Door LH Wire and Instrument Panel Wire (Left Kick Panel)
IC1	106 (RHD)	Instrument Panel Wire and Floor Wire (Left Kick Panel)
IC2		
ID1	106 (RHD)	Instrument Panel Wire and Roof Wire (Left Side of the Instrument Panel)
IL1	108 (RHD)	Front Door RH Wire and Instrument Panel Wire (Right Kick Panel)
IM1	108 (RHD)	Instrument Panel Wire and Floor No.2 Wire (Right Kick Panel)
BD2	112 (RHD L/B)	Back Door No.1 Wire and Floor Wire (Under the Left Quarter Pillar)
BE2	112 (RHD L/B)	Back Door No.2 Wire and Back Door No.1 Wire (Back Door Upper Left)
BF2	114 (RHD W/G)	Back Door No.1 Wire and Floor Wire (Under the Left Quarter Pillar)
BG2	114 (RHD W/G)	Back Door No.1 Wire and Back Door No.2 Wire (Back Door Left)

 : **Ground Points**

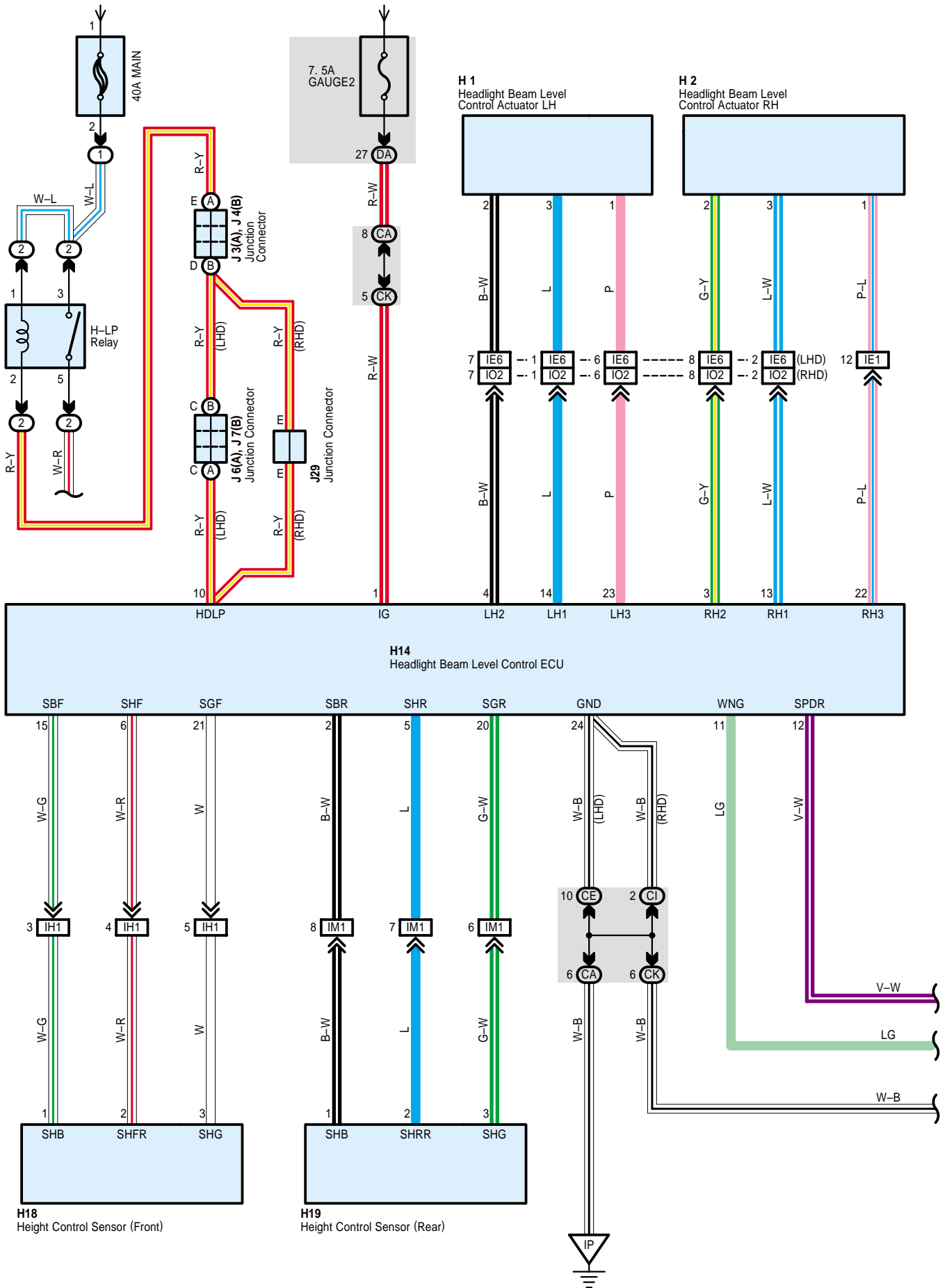
Code	See Page	Ground Points Location
IJ	106 (RHD)	Left Kick Panel
IP	106 (RHD)	Right Kick Panel
BU	110 (RHD S/D)	Under the Right Center Pillar
	112 (RHD L/B)	
	114 (RHD W/G)	
BX	112 (RHD L/B)	Right Side of the Back Door
	114 (RHD W/G)	

 : **Splice Points**

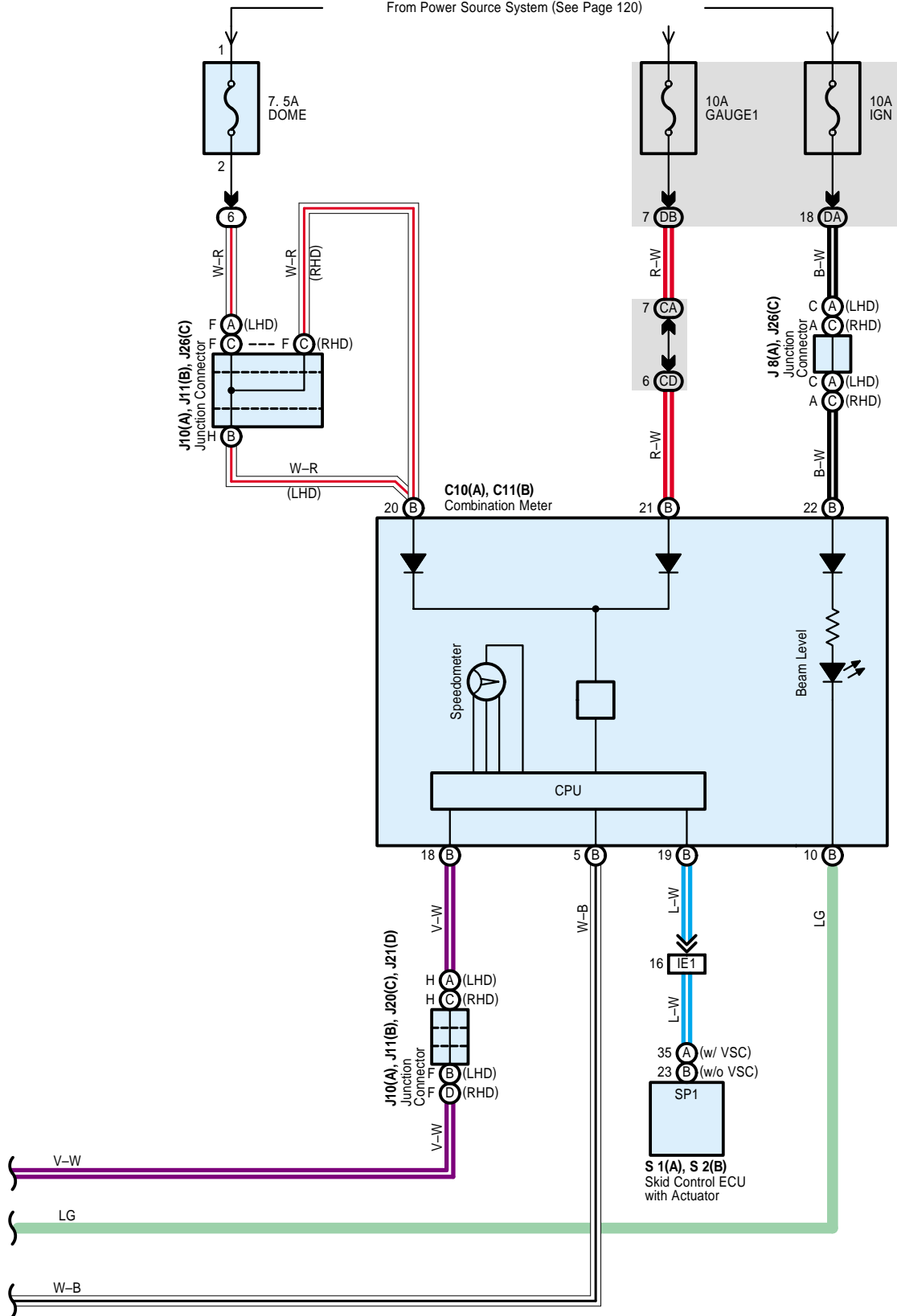
Code	See Page	Wire Harness with Splice Points	Code	See Page	Wire Harness with Splice Points
B5	110 (RHD S/D)	Roof Wire	B5	114 (RHD W/G)	Roof Wire
	112 (RHD L/B)				

Headlight Beam Level Control (w/ HID)

From Power Source System (See Page 120)



From Power Source System (See Page 120)



Headlight Beam Level Control (w/ HID)

System Outline

This system automatically adjusts the optic axis of the headlights according to the posture of the car at rest to prevent glare to oncoming cars, and ensures the maximum irradiation range of the headlights.

Service Hints

H14 Headlight Beam Level Control ECU

IG-Ground : Approx. 12 volts with the ignition SW at ON position

GND-Ground : Always continuity

○ : Parts Location

Code		See Page	Code	See Page	Code	See Page		
C10	A	46 (LHD)	H2	64 (*10)	J8	A	48 (LHD)	
		66 (RHD)		H14	47 (LHD)	J10	A	48 (LHD)
C11	B	46 (LHD)	H18		67 (RHD)	J11	B	48 (LHD)
		66 (RHD)		47 (LHD)	J20	C	68 (RHD)	
H1		38 (*3)	H19	67 (RHD)	J21	D	68 (RHD)	
		40 (*4)		50 (LHD S/D)	J26	C	68 (RHD)	
		42 (*5)		52 (LHD L/B)	J29		68 (RHD)	
		44 (*6)		54 (LHD W/G)	S1	A	39 (*3)	
		58 (*7)		70 (RHD S/D)			45 (*6)	
		62 (*9)		72 (RHD L/B)			59 (*7)	
		64 (*10)		74 (RHD W/G)			65 (*10)	
H2		38 (*3)	J3	A	S2	B	41 (*4)	
		40 (*4)					48 (LHD)	43 (*5)
		42 (*5)	J4	B			48 (LHD)	45 (*6)
		44 (*6)					68 (RHD)	63 (*9)
		58 (*7)	J6	A			48 (LHD)	65 (*10)
		62 (*9)	J7	B			48 (LHD)	

○ : Relay Blocks

Code	See Page	Relay Blocks (Relay Block Location)
1	24 (*1)	Engine Room R/B No.1 (Engine Compartment Left)
	25 (*2)	
2	26	Engine Room R/B No.2 (Near the Radiator Fan)
6	29	Fuse Block (Lower Finish Panel)

○ : Junction Block and Wire Harness Connector

Code	See Page	Junction Block and Wire Harness (Connector Location)
CA	34	Instrument Panel Wire and Center J/B (Instrument Panel Reinforcement RH)
CD		
CE		
CI		
CK	35	
DA	30	Instrument Panel Wire and Driver Side J/B (Left Side of the Instrument Panel)
DB		

* 1 : Gasoline * 2 : 1CD-FTV * 3 : LHD 1AZ-FSE * 4 : LHD 1AZ-FE * 5 : LHD 1ZZ-FE, 3ZZ-FE * 6 : LHD 1CD-FTV
 * 7 : RHD 1AZ-FSE * 8 : RHD 1AZ-FE * 9 : RHD 1ZZ-FE, 3ZZ-FE * 10 : RHD 1CD-FTV

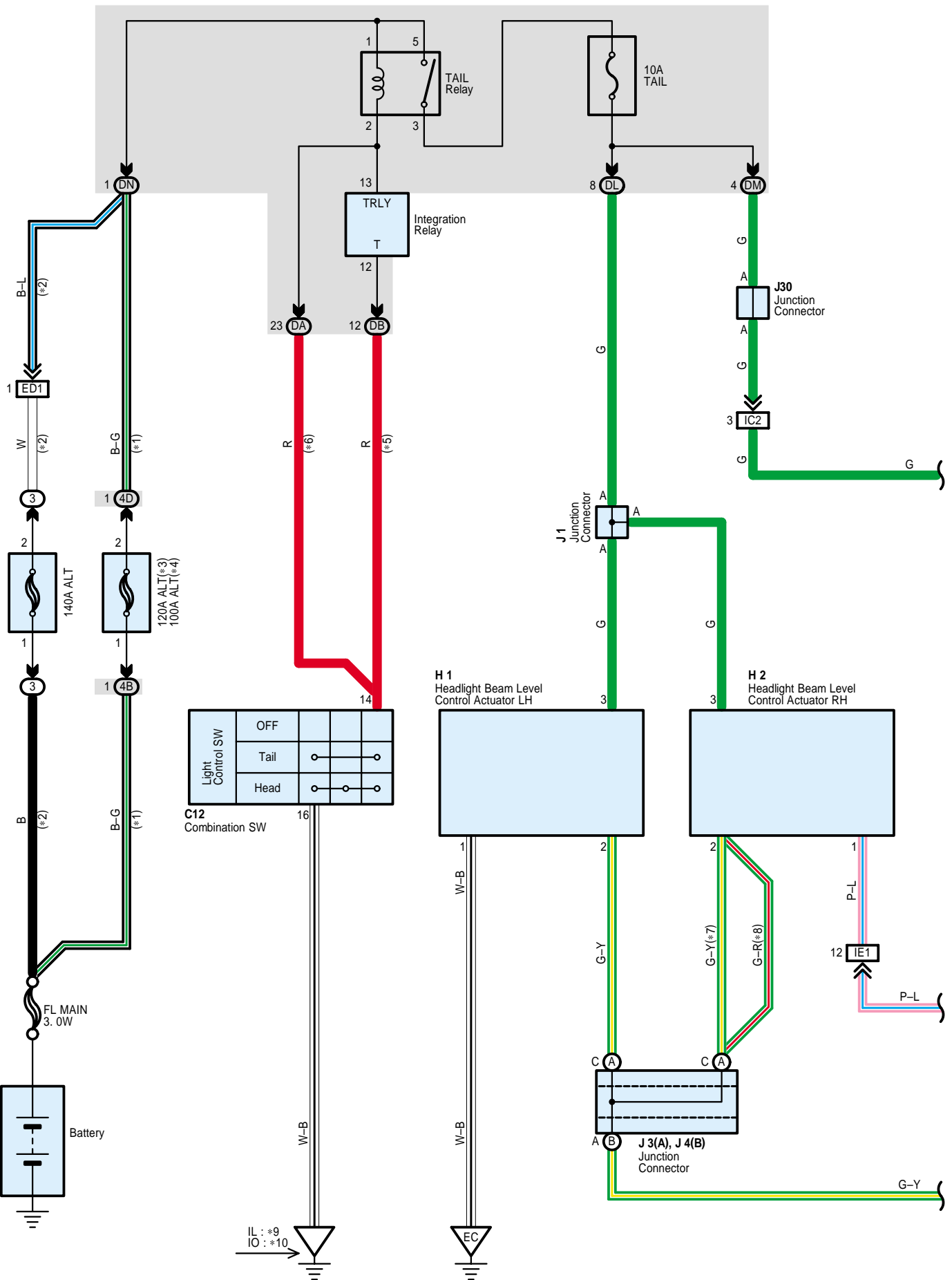
 : **Connector Joining Wire Harness and Wire Harness**

Code	See Page	Joining Wire Harness and Wire Harness (Connector Location)
IE1	86 (LHD)	Engine Room Main Wire and Instrument Panel Wire (Behind the Combination Meter)
	106 (RHD)	Engine Room Main Wire and Instrument Panel Wire (Behind the Glove Box)
IE6	86 (LHD)	Engine Room Main Wire and Instrument Panel Wire (Behind the Combination Meter)
IH1	88 (LHD)	Floor No.3 Wire and Instrument Panel Wire (Instrument Panel Brace RH)
	106 (RHD)	
IM1	88 (LHD)	Instrument Panel Wire and Floor No.2 Wire (Right Kick Panel)
	108 (RHD)	
IO2	108 (RHD)	Engine Room Main Wire and Instrument Panel Wire (Left Side of the Instrument Panel)

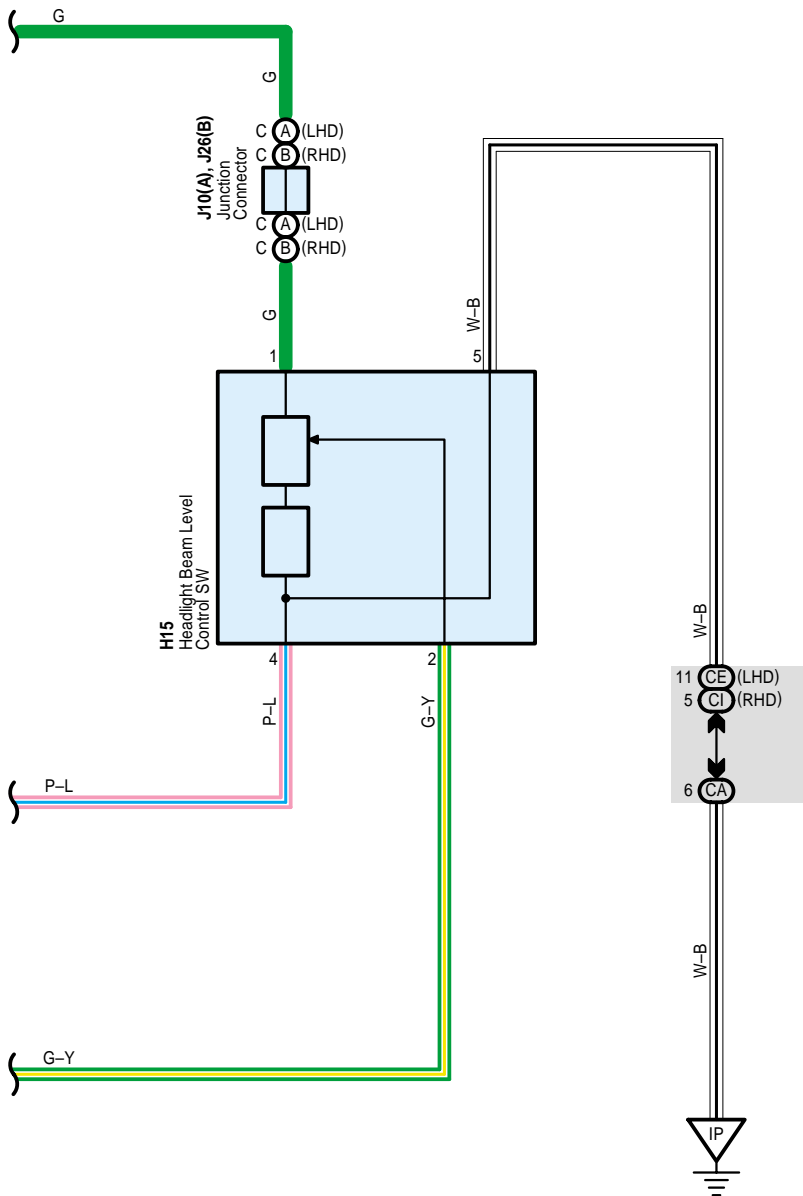
 : **Ground Points**

Code	See Page	Ground Points Location
IP	86 (LHD)	Right Kick Panel
	106 (RHD)	

Headlight Beam Level Control (w/o HID)



- * 1 : Gasoline
- * 2 : 1CD-FTV
- * 3 : 1AZ-FSE, 1AZ-FE
- * 4 : 1ZZ-FE, 3ZZ-FE
- * 5 : w/ Daytime Running Light
- * 6 : w/o Daytime Running Light
- * 7 : Except RHD 1CD-FTV
- * 8 : RHD 1CD-FTV
- * 9 : LHD 1CD-FTV, RHD
- * 10 : LHD Gasoline



Headlight Beam Level Control (w/o HID)

Service Hints

H1, H2 Headlight Beam Level Control Actuator LH, RH

3-Ground : Approx. 12 volts with the light control SW at TAIL or HEAD position

1-Ground : Always continuity

H15 Headlight Beam Level Control SW

1-Ground : Approx. 12 volts with the light control SW at TAIL or HEAD position

5-Ground : Always continuity

○ : Parts Location

Code	See Page	Code	See Page	Code	See Page	
C12	46 (LHD)	H2	58 (*7)	J3	A	68 (RHD)
	66 (RHD)		62 (*9)	J4	B	48 (LHD)
	64 (*10)		68 (RHD)			
H1	38 (*3)	H15	47 (LHD)	J10	A	48 (LHD)
	40 (*4)		67 (RHD)	J26	B	68 (RHD)
	42 (*5)	J1	39 (*3)	J30		51 (LHD S/D)
	44 (*6)		41 (*4)		53 (LHD L/B)	
	58 (*7)		43 (*5)		55 (LHD W/G)	
62 (*9)	45 (*6)		71 (RHD S/D)			
64 (*10)	59 (*7)	73 (RHD L/B)				
H2	38 (*3)		63 (*9)			75 (RHD W/G)
	40 (*4)		65 (*10)			
	42 (*5)	J3	A			
	44 (*6)					

○ : Relay Blocks

Code	See Page	Relay Blocks (Relay Block Location)
3	26	Engine Room R/B No.3 (Left Side of the Suspension Tower)

○ : Junction Block and Wire Harness Connector

Code	See Page	Junction Block and Wire Harness (Connector Location)
4B	27	Engine Room Main Wire and Engine Room J/B No.4 (Left Side of the Suspension Tower)
4D		
CA	34	Instrument Panel Wire and Center J/B (Instrument Panel Reinforcement RH)
CE		
CI	35	
DA	30	Instrument Panel Wire and Driver Side J/B (Left Side of the Instrument Panel)
DB		
DL	31	Engine Room Main Wire and Driver Side J/B (Left Side of the Instrument Panel)
DM	31	Floor Wire and Driver Side J/B (Left Side of the Instrument Panel)
DN	31	Engine Room Main Wire and Driver Side J/B (Left Side of the Instrument Panel)

□ : Connector Joining Wire Harness and Wire Harness

Code	See Page	Joining Wire Harness and Wire Harness (Connector Location)
ED1	84 (*6)	Engine Wire and Engine Room Main Wire (Left Side of the Suspension Tower)
	104 (*10)	
IC2	86 (LHD)	Instrument Panel Wire and Floor Wire (Left Kick Panel)
	106 (RHD)	
IE1	86 (LHD)	Engine Room Main Wire and Instrument Panel Wire (Behind the Combination Meter)
	106 (RHD)	Engine Room Main Wire and Instrument Panel Wire (Behind the Glove Box)

* 1 : Gasoline * 2 : 1CD-FTV * 3 : LHD 1AZ-FSE * 4 : LHD 1AZ-FE * 5 : LHD 1ZZ-FE, 3ZZ-FE * 6 : LHD 1CD-FTV

* 7 : RHD 1AZ-FSE * 8 : RHD 1AZ-FE * 9 : RHD 1ZZ-FE, 3ZZ-FE * 10 : RHD 1CD-FTV

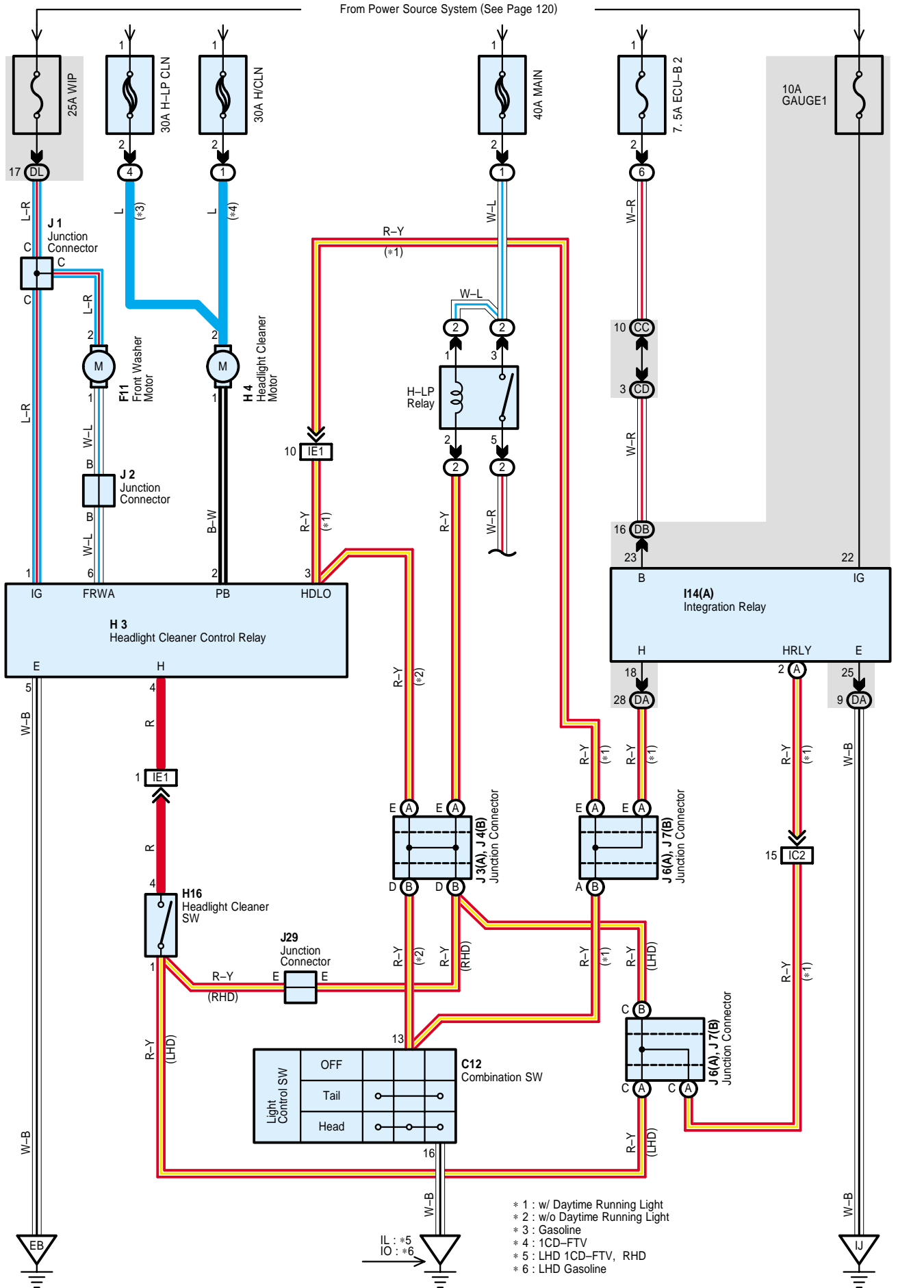


: Ground Points

Code	See Page	Ground Points Location
EC	78 (*3)	Engine Compartment Left
	80 (*4)	
	82 (*5)	
	84 (*6)	
	98 (*7)	
	102 (*9)	
	104 (*10)	
IL	86 (LHD)	Behind the Combination Meter
	106 (RHD)	
IO	86 (LHD)	Instrument Panel Reinforcement RH
IP	86 (LHD)	Right Kick Panel
	106 (RHD)	

* 1 : Gasoline * 2 : 1CD-FTV * 3 : LHD 1AZ-FSE * 4 : LHD 1AZ-FE * 5 : LHD 1ZZ-FE, 3ZZ-FE * 6 : LHD 1CD-FTV
* 7 : RHD 1AZ-FSE * 8 : RHD 1AZ-FE * 9 : RHD 1ZZ-FE, 3ZZ-FE * 10 : RHD 1CD-FTV

Headlight Cleaner (w/ HID)



Service Hints

H3 Headlight Cleaner Control Relay

- 1—Ground : Approx. 12 volts with the ignition SW at ON position
5—Ground : Always continuity

: Parts Location

Code	See Page	Code	See Page	Code	See Page	
C12	46 (LHD)	H4	38 (*3)	J1	63 (*9)	
	66 (RHD)		40 (*4)		65 (*10)	
F11	38 (*3)		42 (*5)	J2	39 (*3)	
	40 (*4)		44 (*6)		41 (*4)	
	42 (*5)		58 (*7)		43 (*5)	
	44 (*6)		62 (*9)		45 (*6)	
	58 (*7)		64 (*10)		59 (*7)	
	62 (*9)		H16		47 (LHD)	63 (*9)
	64 (*10)				67 (RHD)	65 (*10)
H3	38 (*3)		I14	A	J3	A
	40 (*4)	67 (RHD)				
	42 (*5)	J1	J4	B	48 (LHD)	
	44 (*6)				41 (*4)	68 (RHD)
	58 (*7)				43 (*5)	48 (LHD)
	62 (*9)		45 (*6)	48 (LHD)		
	64 (*10)		47 (*7)	J29		68 (RHD)

: Relay Blocks

Code	See Page	Relay Blocks (Relay Block Location)
1	24 (*1)	Engine Room R/B No.1 (Engine Compartment Left)
	25 (*2)	
2	26	Engine Room R/B No.2 (Near the Radiator Fan)
4	27	Engine Room R/B No.4 (Left Side of the Suspension Tower)
6	29	Fuse Block (Lower Finish Panel)

: Junction Block and Wire Harness Connector

Code	See Page	Junction Block and Wire Harness (Connector Location)
CC	34	Instrument Panel Wire and Center J/B (Instrument Panel Reinforcement RH)
CD		
DA	30	Instrument Panel Wire and Driver Side J/B (Left Side of the Instrument Panel)
DB		
DL	31	Engine Room Main Wire and Driver Side J/B (Left Side of the Instrument Panel)

: Connector Joining Wire Harness and Wire Harness

Code	See Page	Joining Wire Harness and Wire Harness (Connector Location)
IC2	86 (LHD)	Instrument Panel Wire and Floor Wire (Left Kick Panel)
IE1	86 (LHD)	Engine Room Main Wire and Instrument Panel Wire (Behind the Combination Meter)
	106 (RHD)	Engine Room Main Wire and Instrument Panel Wire (Behind the Glove Box)

* 1 : Gasoline * 2 : 1CD-FTV * 3 : LHD 1AZ-FSE * 4 : LHD 1AZ-FE * 5 : LHD 1ZZ-FE, 3ZZ-FE * 6 : LHD 1CD-FTV
* 7 : RHD 1AZ-FSE * 8 : RHD 1AZ-FE * 9 : RHD 1ZZ-FE, 3ZZ-FE * 10 : RHD 1CD-FTV

Headlight Cleaner (w/ HID)

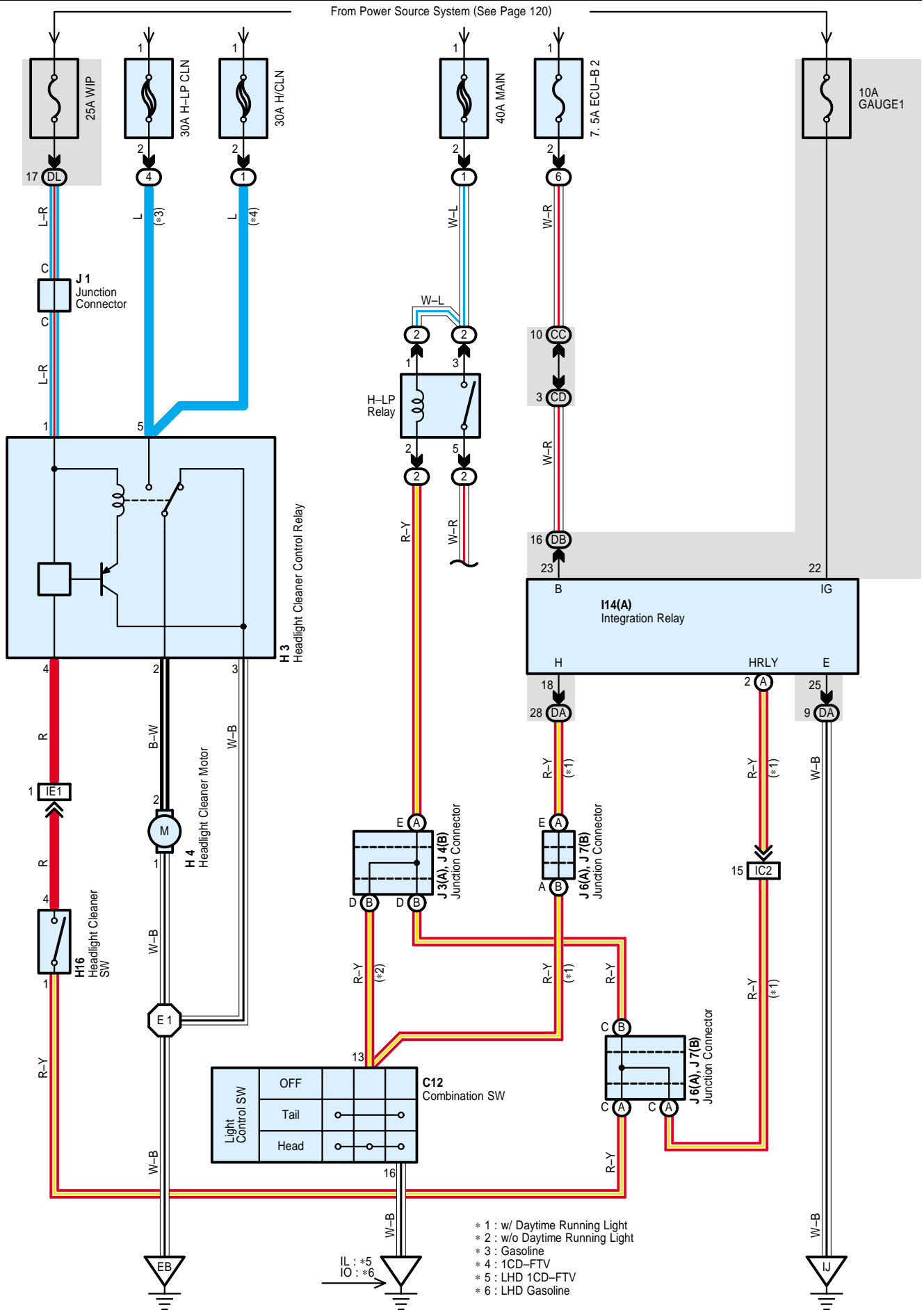


: Ground Points

Code	See Page	Ground Points Location
EB	78 (*3)	Engine Compartment Right
	80 (*4)	
	82 (*5)	
	84 (*6)	
	98 (*7)	
	102 (*9)	
	104 (*10)	
IJ	86 (LHD)	Left Kick Panel
	106 (RHD)	
IL	86 (LHD)	Behind the Combination Meter
	106 (RHD)	
IO	86 (LHD)	Instrument Panel Reinforcement RH

* 1 : Gasoline * 2 : 1CD-FTV * 3 : LHD 1AZ-FSE * 4 : LHD 1AZ-FE * 5 : LHD 1ZZ-FE, 3ZZ-FE * 6 : LHD 1CD-FTV
* 7 : RHD 1AZ-FSE * 8 : RHD 1AZ-FE * 9 : RHD 1ZZ-FE, 3ZZ-FE * 10 : RHD 1CD-FTV

Headlight Cleaner (w/o HID)



Service Hints

H3 Headlight Cleaner Control Relay

- 5-Ground : Always approx. 12 volts
- 1-Ground : Approx. 12 volts with the ignition SW at ON position
- 3-Ground : Always continuity

○ : Parts Location

Code	See Page	Code	See Page	Code	See Page		
C12	46 (LHD)	H4	42 (*5)	J1	45 (*6)		
H3	38 (*3)		44 (*6)		J3	A	48 (LHD)
	40 (*4)	H16	47 (LHD)	J4	B	48 (LHD)	
	42 (*5)	I14	A	47 (LHD)	J6	A	48 (LHD)
	44 (*6)	J1	39 (*3)	J7	B	48 (LHD)	
H4	38 (*3)		41 (*4)				
	40 (*4)	43 (*5)					

○ : Relay Blocks

Code	See Page	Relay Blocks (Relay Block Location)
1	24 (*1)	Engine Room R/B No.1 (Engine Compartment Left)
	25 (*2)	
2	26	Engine Room R/B No.2 (Near the Radiator Fan)
4	27	Engine Room R/B No.4 (Left Side of the Suspension Tower)
6	29	Fuse Block (Lower Finish Panel)

○ : Junction Block and Wire Harness Connector

Code	See Page	Junction Block and Wire Harness (Connector Location)
CC	34	Instrument Panel Wire and Center J/B (Instrument Panel Reinforcement RH)
CD		
DA	30	Instrument Panel Wire and Driver Side J/B (Left Side of the Instrument Panel)
DB		
DL	31	Engine Room Main Wire and Driver Side J/B (Left Side of the Instrument Panel)

□ : Connector Joining Wire Harness and Wire Harness

Code	See Page	Joining Wire Harness and Wire Harness (Connector Location)
IC2	86 (LHD)	Instrument Panel Wire and Floor Wire (Left Kick Panel)
IE1	86 (LHD)	Engine Room Main Wire and Instrument Panel Wire (Behind the Combination Meter)

▽ : Ground Points

Code	See Page	Ground Points Location
EB	78 (*3)	Engine Compartment Right
	80 (*4)	
	82 (*5)	
	84 (*6)	
IJ	86 (LHD)	Left Kick Panel
IL	86 (LHD)	Behind the Combination Meter
IO	86 (LHD)	Instrument Panel Reinforcement RH

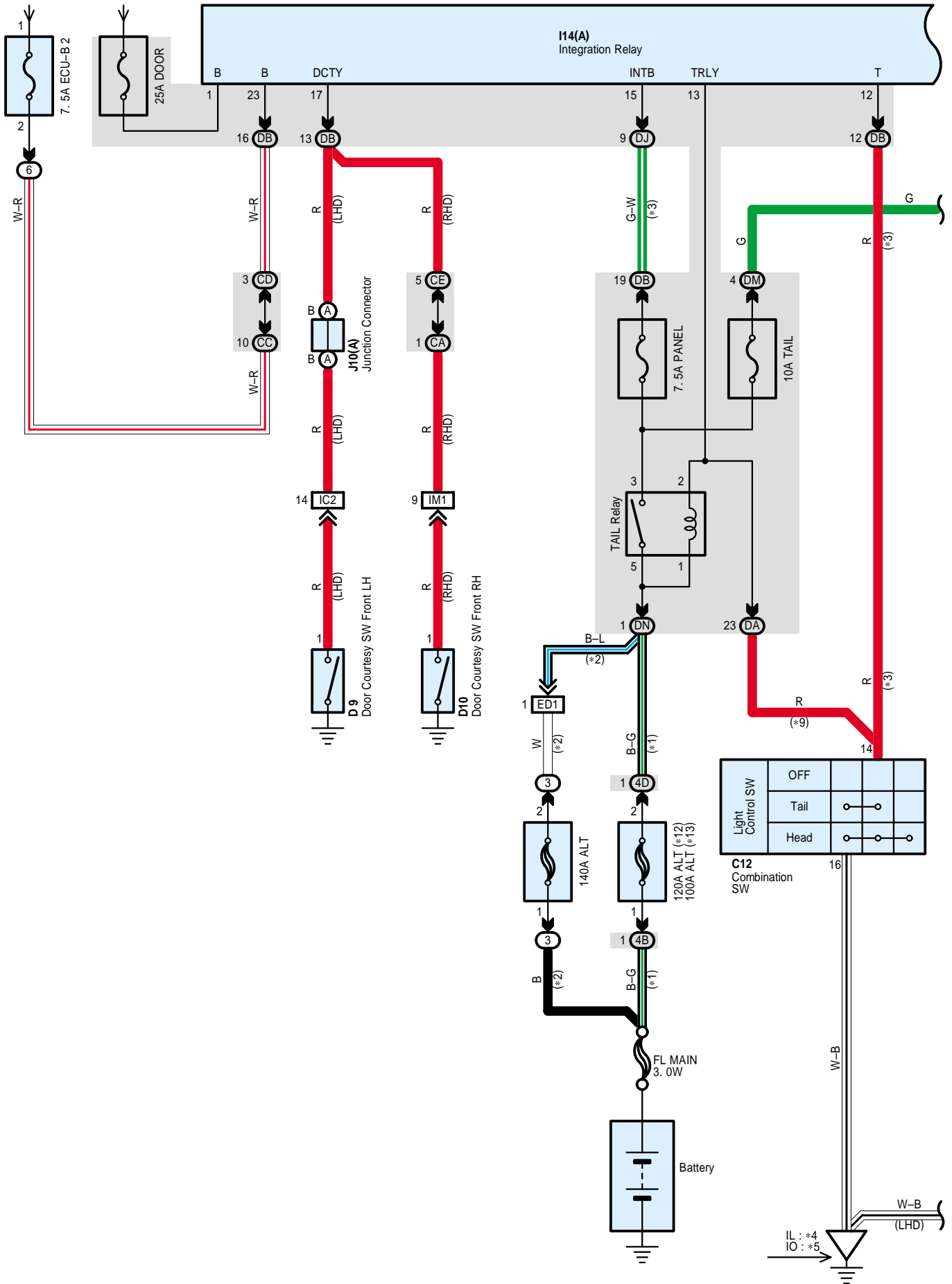
○ : Splice Points

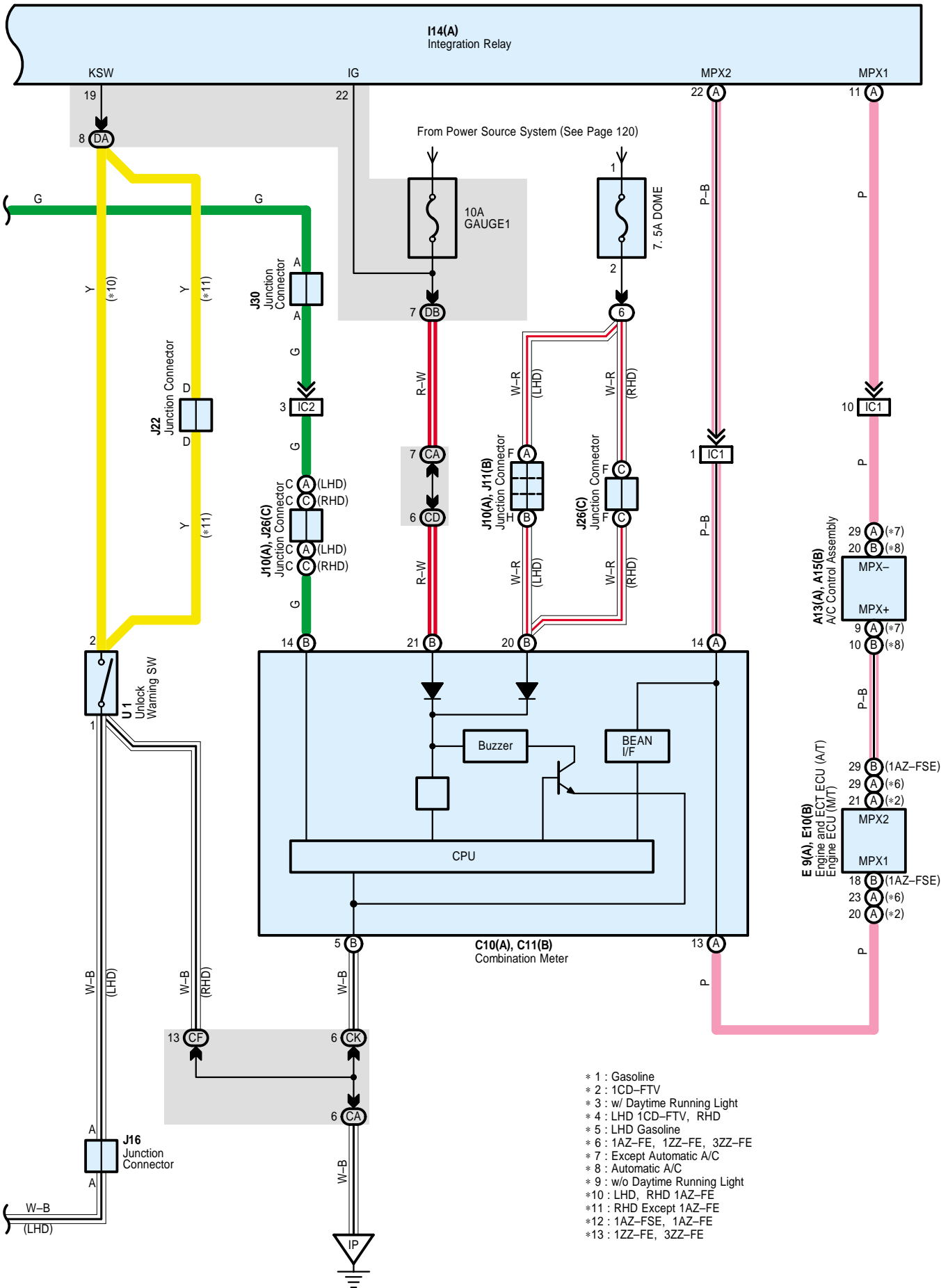
Code	See Page	Wire Harness with Splice Points	Code	See Page	Wire Harness with Splice Points
E1	78 (*3)	Engine Room Main Wire	E1	82 (*5)	Engine Room Main Wire
	80 (*4)			84 (*6)	

- * 1 : Gasoline * 2 : 1CD-FTV * 3 : LHD 1AZ-FSE * 4 : LHD 1AZ-FE * 5 : LHD 1ZZ-FE, 3ZZ-FE * 6 : LHD 1CD-FTV
- * 7 : RHD 1AZ-FSE * 8 : RHD 1AZ-FE * 9 : RHD 1ZZ-FE, 3ZZ-FE * 10 : RHD 1CD-FTV

Key Reminder and Light Reminder

From Power Source System (See Page 120)





Key Reminder and Light Reminder

System Outline

1. Key Reminder Buzzer System

If you open the door of the driver's side when the ignition key is inserted in ignition SW being off, the buzzer comes on.

2. Light Reminder Buzzer System

If you open the door of the driver's side when either headlight or taillight is on with ignition SW being off, the buzzer comes on.

Service Hints

Integration Relay

- 23-Ground : Always approx. 12 volts
- 17-Ground : Continuity with the driver's door open
- 22-Ground : Approx. 12 volts with the ignition SW at ON position

C11 Combination Meter

- 5-Ground : Always continuity
- 21-Ground : Approx. 12 volts with the ignition SW at ON position
- 20-Ground : Always approx. 12 volts

U1 Unlock Warning SW

- 2-1 : Closed with the ignition key in cylinder

○ : Parts Location

Code	See Page	Code	See Page	Code	See Page	
A13	A	46 (LHD)	D9	54 (LHD W/G)	J16	48 (LHD)
		66 (RHD)		70 (RHD S/D)		68 (RHD)
A15	B	46 (LHD)	D10	72 (RHD L/B)	J22	68 (RHD)
		66 (RHD)		74 (RHD W/G)		J26 C
C10	A	46 (LHD)	E9	A	J30	51 (LHD S/D)
		66 (RHD)				67 (RHD)
C11	B	46 (LHD)	E10	B	J30	55 (LHD W/G)
		66 (RHD)				67 (RHD)
C12		46 (LHD)	I14	A	J30	73 (RHD L/B)
		66 (RHD)				67 (RHD)
D9		50 (LHD S/D)	J10	A	U1	49 (LHD)
		52 (LHD L/B)	J11	B		69 (RHD)

○ : Relay Blocks

Code	See Page	Relay Blocks (Relay Block Location)
3	26	Engine Room R/B No.3 (Left Side of the Suspension Tower)
6	29	Fuse Block (Lower Finish Panel)

○ : Junction Block and Wire Harness Connector

Code	See Page	Junction Block and Wire Harness (Connector Location)
4B	27	Engine Room Main Wire and Engine Room J/B No.4 (Left Side of the Suspension Tower)
4D		
CA	34	Instrument Panel Wire and Center J/B (Instrument Panel Reinforcement RH)
CC		
CD		
CE		
CF		
CK	35	
DA	30	Instrument Panel Wire and Driver Side J/B (Left Side of the Instrument Panel)
DB		
DJ		
DM	31	Floor Wire and Driver Side J/B (Left Side of the Instrument Panel)
DN	31	Engine Room Main Wire and Driver Side J/B (Left Side of the Instrument Panel)

 : Connector Joining Wire Harness and Wire Harness

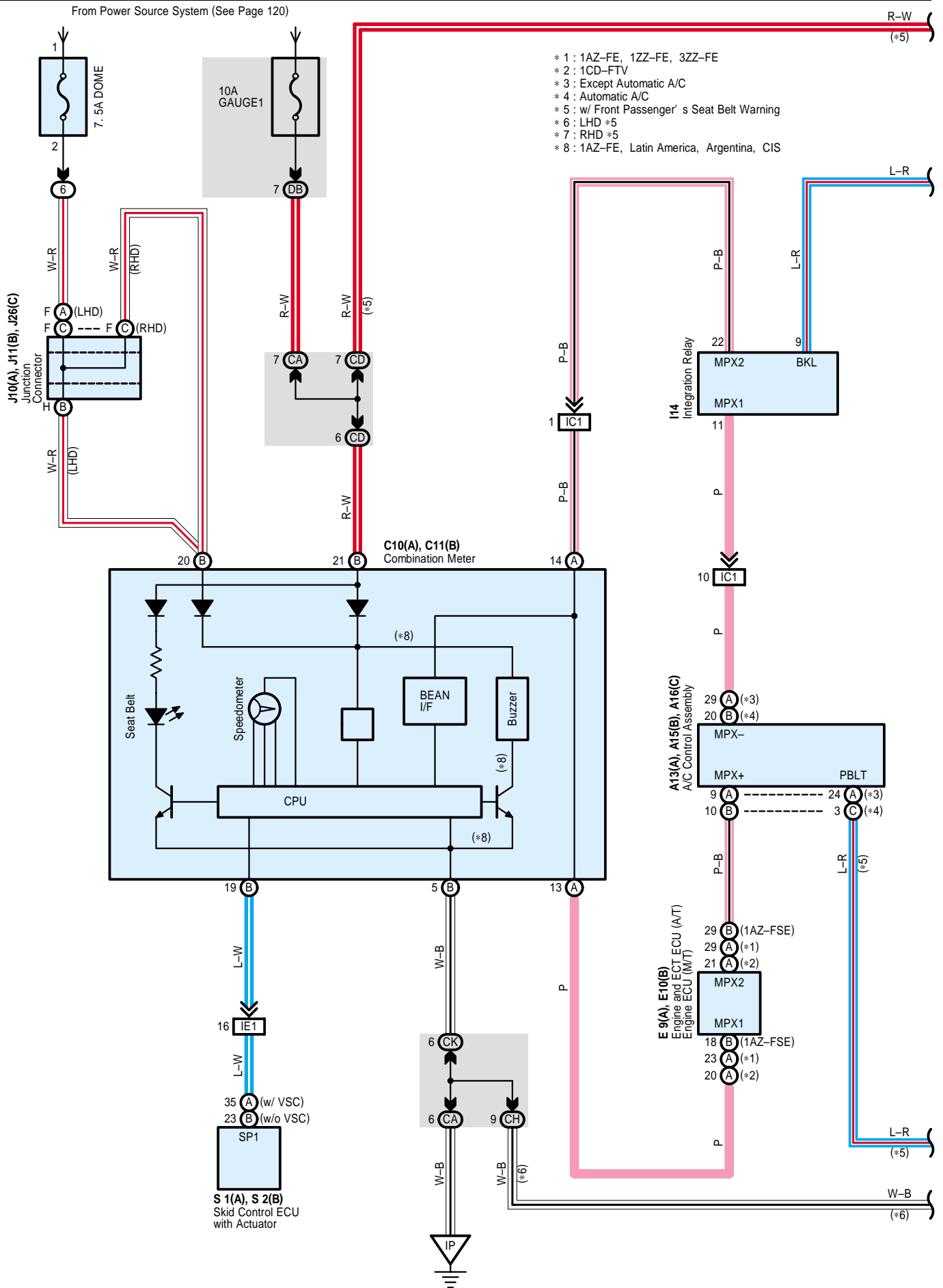
Code	See Page	Joining Wire Harness and Wire Harness (Connector Location)
ED1	84 (*6)	Engine Wire and Engine Room Main Wire (Left Side of the Suspension Tower)
	104 (*10)	
IC1	86 (LHD)	Instrument Panel Wire and Floor Wire (Left Kick Panel)
	106 (RHD)	
IC2	86 (LHD)	
IM1	108 (RHD)	Instrument Panel Wire and Floor No.2 Wire (Right Kick Panel)

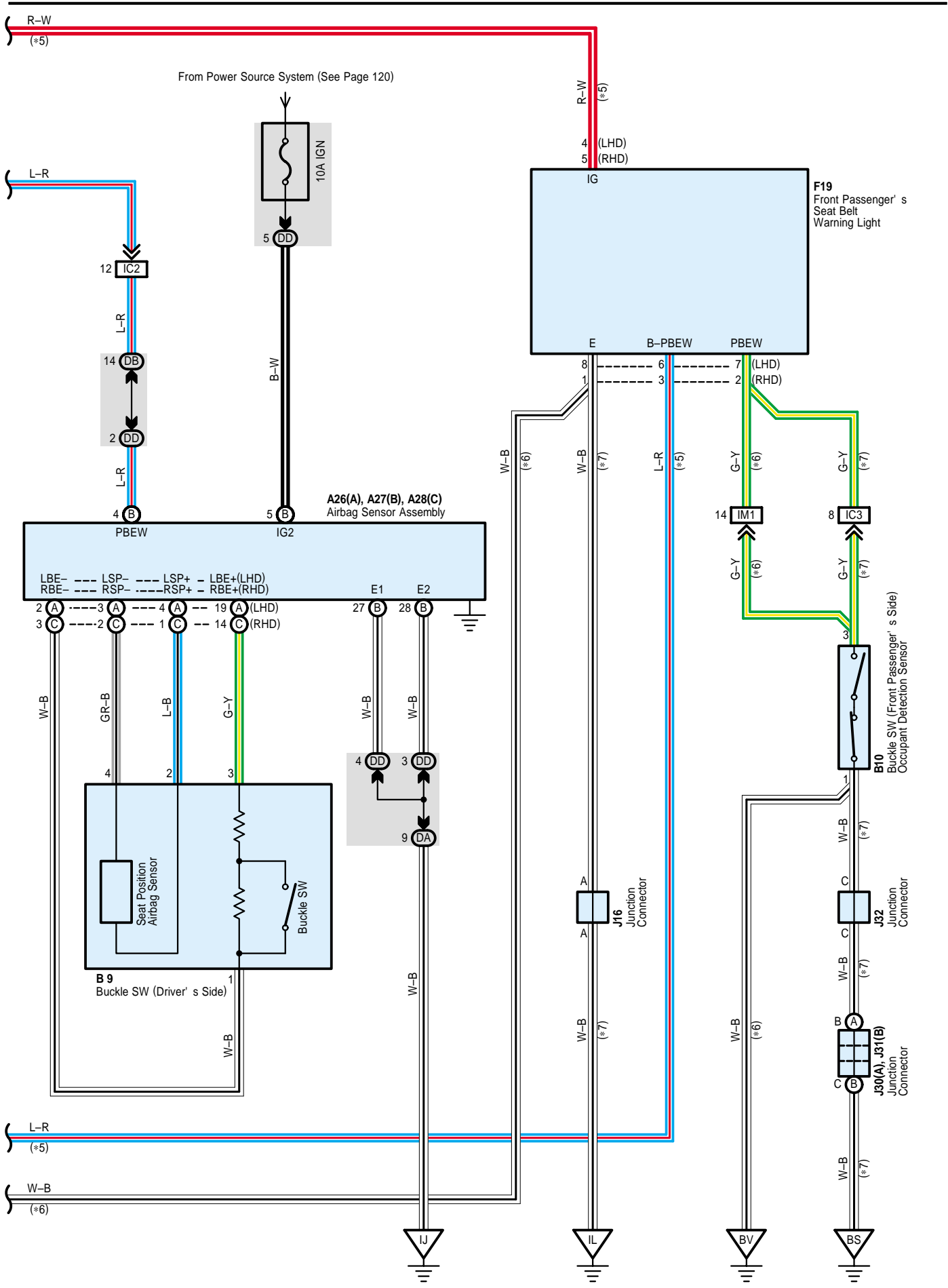
 : Ground Points

Code	See Page	Ground Points Location
IL	86 (LHD)	Behind the Combination Meter
	106 (RHD)	
IO	86 (LHD)	Instrument Panel Reinforcement RH
IP	86 (LHD)	Right Kick Panel
	106 (RHD)	

* 1 : Gasoline * 2 : 1CD-FTV * 3 : LHD 1AZ-FSE * 4 : LHD 1AZ-FE * 5 : LHD 1ZZ-FE, 3ZZ-FE * 6 : LHD 1CD-FTV
 * 7 : RHD 1AZ-FSE * 8 : RHD 1AZ-FE * 9 : RHD 1ZZ-FE, 3ZZ-FE * 10 : RHD 1CD-FTV

Seat Belt Warning





Seat Belt Warning

System Outline

1. Seat Belt Warning for the Driver's Seat

If the driver does not wear the seat belt when the ignition SW is set to on, the seat belt warning light for the driver's seat comes on, and the buzzer sounds (But 1AZ-FE, Latin America, Argentina and CIS specification vehicles do not sound the buzzer, indicate the warning with the light only). When the driving speed exceeds 15 km/h with the buzzer activated, the interval of buzzer sounding becomes shorter.

2. Seat Belt Warning for the Front Passenger's Seat (Except 1AZ-FE)

A sensor (Occupant detection sensor) detects whether there is an occupant in the front passenger's seat when the ignition SW is set to on. If an occupant is detected and he/she does not wear the front passenger's seat belt, the front passenger's seat belt warning light flickers, and the buzzer sounds (But Latin America, Argentina and CIS specification vehicles do not the buzzer, indicate the warning with the light only). When the driving speed exceeds 15 km/h with the buzzer activated, the interval of buzzer sounding becomes shorter.

Service Hints

B9 Buckle SW (Driver Side)

3-1 : Closed with driver's seat belt in use

B10 Buckle SW (Front Passenger's Side) and Occupant Detection Sensor

3-1 : Closed with passenger sit on the front passenger's seat and front passenger's seat belt not use

○ : Parts Location

Code		See Page	Code		See Page	Code		See Page
A13	A	46 (LHD)	C11	B	46 (LHD)	J31	B	71 (RHD S/D)
		66 (RHD)			66 (RHD)			73 (RHD L/B)
A15	B	46 (LHD)	E9	A	47 (LHD)	J32		71 (RHD S/D)
		66 (RHD)			67 (RHD)		73 (RHD L/B)	
A16	C	46 (LHD)	E10	B	47 (LHD)	S1	A	39 (*3)
		66 (RHD)			67 (RHD)			45 (*6)
A26	A	46 (LHD)	F19		47 (LHD)	S2	B	59 (*7)
		66 (RHD)	I14		67 (RHD)			65 (*10)
A27	B	46 (LHD)			47 (LHD)	S2	B	41 (*4)
		66 (RHD)			67 (RHD)			43 (*5)
A28	C	46 (LHD)	J10	A	48 (LHD)	S2	B	45 (*6)
		66 (RHD)	J11	B	48 (LHD)			61 (*8)
B9			J16		48 (LHD)	S2	B	63 (*9)
					68 (RHD)			65 (*10)
B10			J26	C	68 (RHD)			
					71 (RHD S/D)			
C10	A	46 (LHD)	J30	A	73 (RHD L/B)			
		66 (RHD)			75 (RHD W/G)			

○ : Relay Blocks

Code	See Page	Relay Blocks (Relay Block Location)
6	29	Fuse Block (Lower Finish Panel)

* 1 : Gasoline * 2 : 1CD-FTV * 3 : LHD 1AZ-FSE * 4 : LHD 1AZ-FE * 5 : LHD 1ZZ-FE, 3ZZ-FE * 6 : LHD 1CD-FTV
 * 7 : RHD 1AZ-FSE * 8 : RHD 1AZ-FE * 9 : RHD 1ZZ-FE, 3ZZ-FE * 10 : RHD 1CD-FTV

 : Junction Block and Wire Harness Connector

Code	See Page	Junction Block and Wire Harness (Connector Location)
CA	34	Instrument Panel Wire and Center J/B (Instrument Panel Reinforcement RH)
CD		
CH	35	
CK		
DA	30	Instrument Panel Wire and Driver Side J/B (Left Side of the Instrument Panel)
DB		
DD		

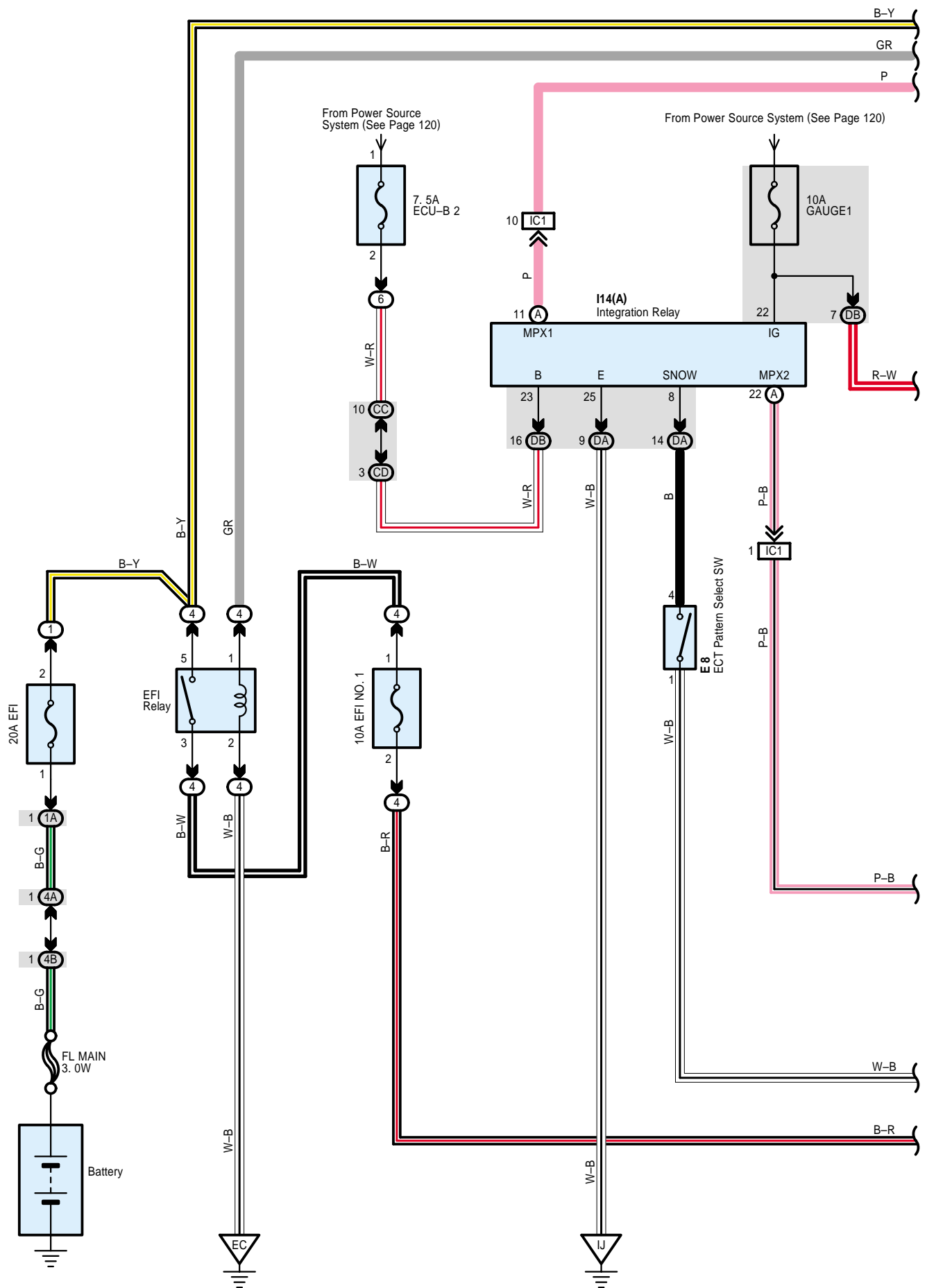
 : Connector Joining Wire Harness and Wire Harness

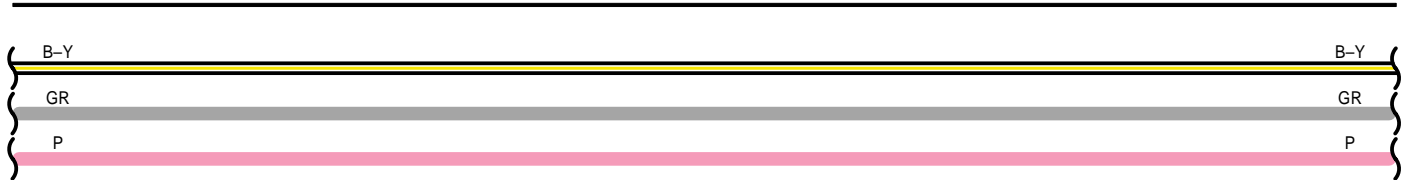
Code	See Page	Joining Wire Harness and Wire Harness (Connector Location)
IC1	86 (LHD)	Instrument Panel Wire and Floor Wire (Left Kick Panel)
	106 (RHD)	
IC2	86 (LHD)	
	106 (RHD)	
IC3	106 (RHD)	
IE1	86 (LHD)	
	106 (RHD)	Engine Room Main Wire and Instrument Panel Wire (Behind the Glove Box)
IM1	88 (LHD)	Instrument Panel Wire and Floor No.2 Wire (Right Kick Panel)

 : Ground Points

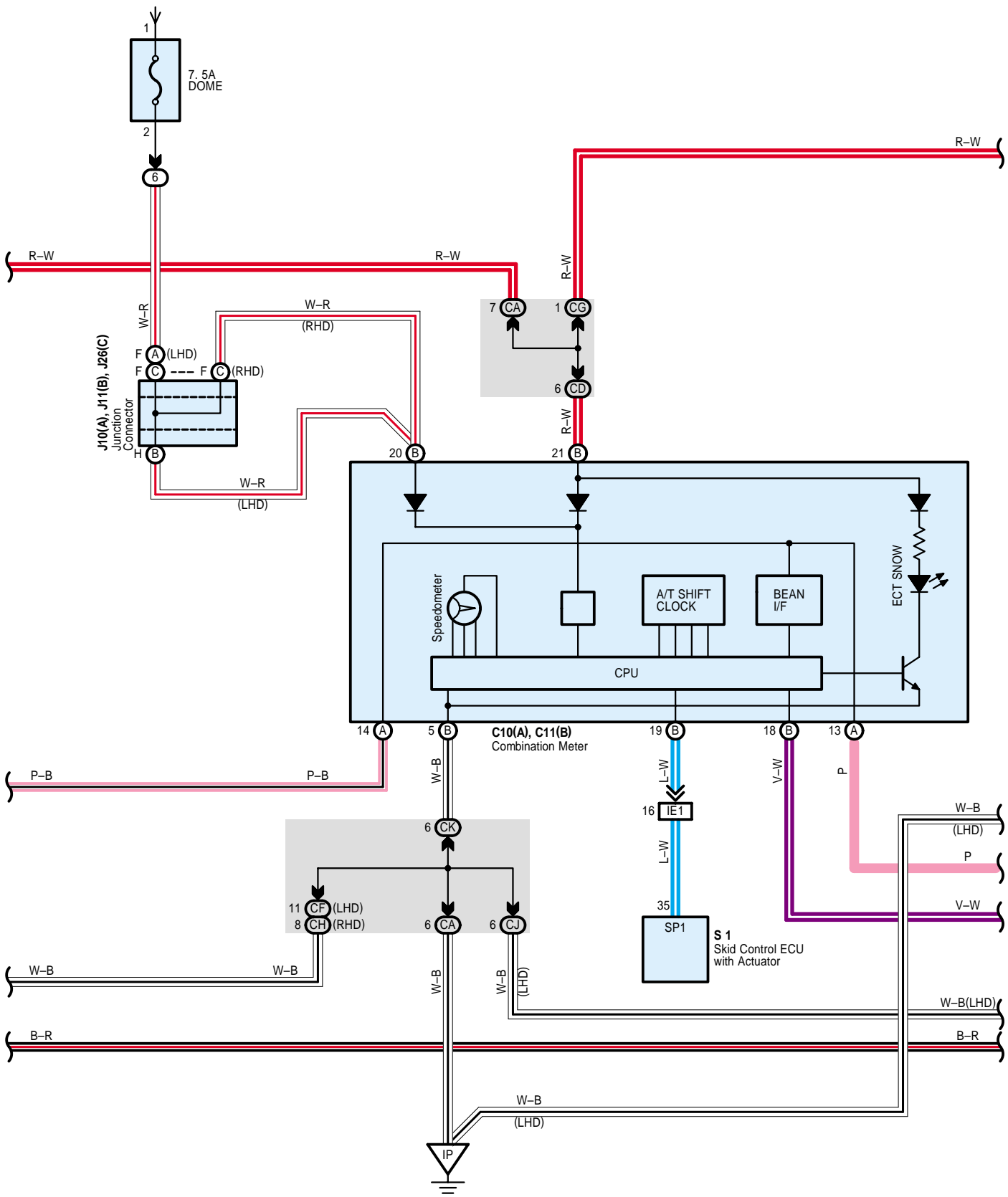
Code	See Page	Ground Points Location
IJ	86 (LHD)	Left Kick Panel
	106 (RHD)	
IL	106 (RHD)	Behind the Combination Meter
IP	86 (LHD)	Right Kick Panel
	106 (RHD)	
BS	110 (RHD S/D)	Lower Back Panel Left
	112 (RHD L/B)	
	114 (RHD W/G)	
BV	90 (LHD S/D)	Under the Right Center Pillar
	92 (LHD L/B)	
	94 (LHD W/G)	

ECT and A/T Indicator (1AZ-FSE)

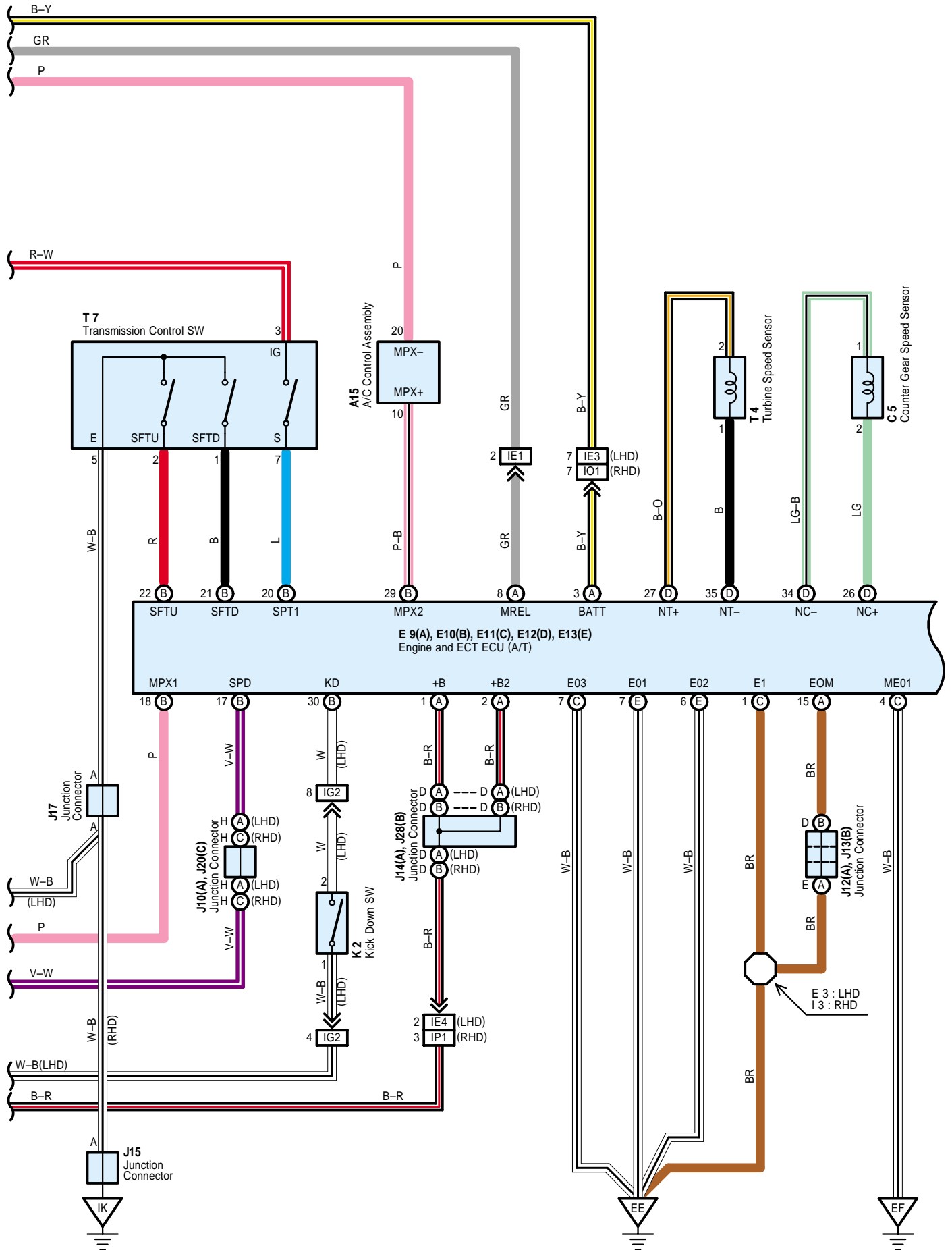




From Power Source System (See Page 120)

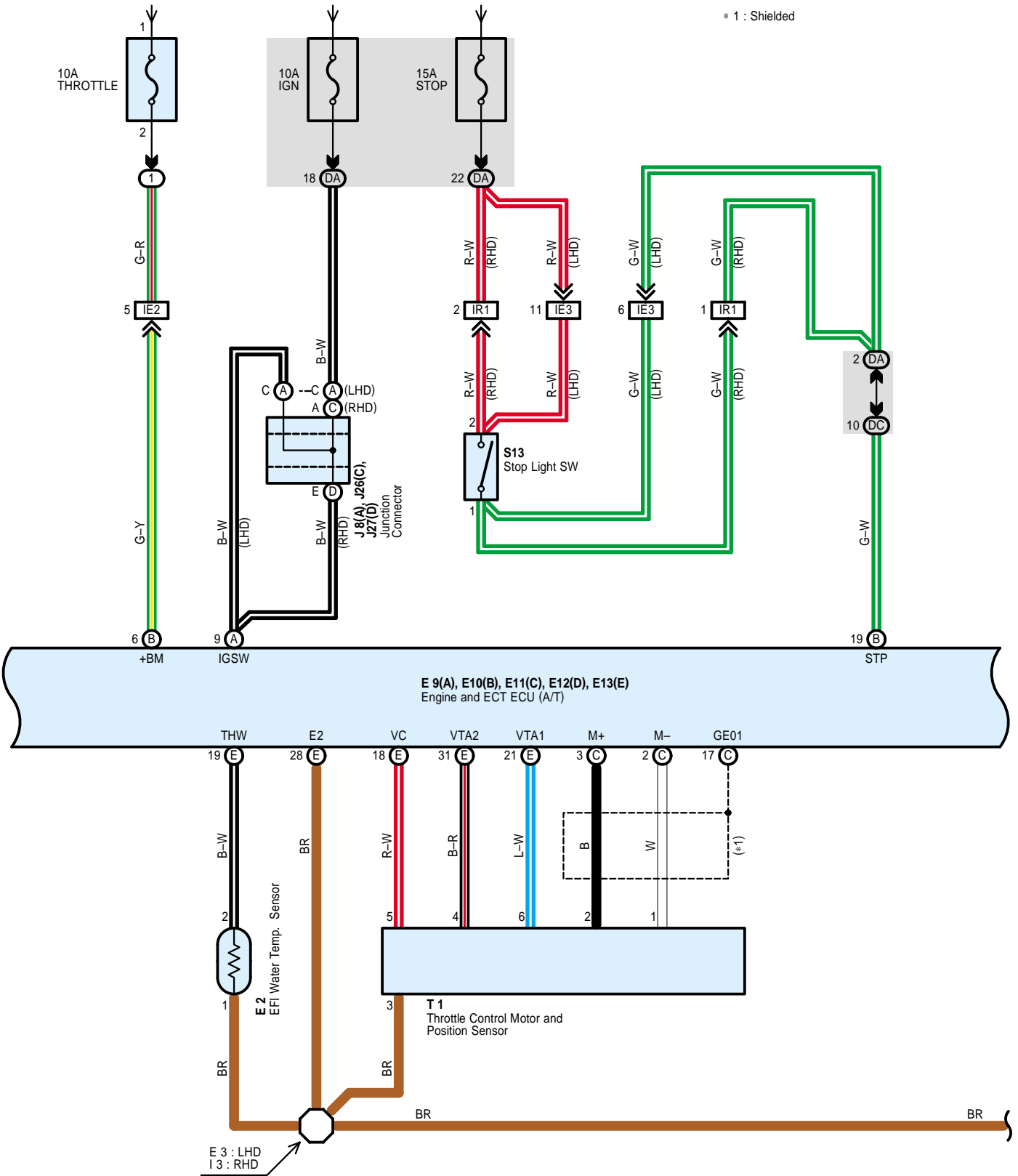


ECT and A/T Indicator (1AZ-FSE)

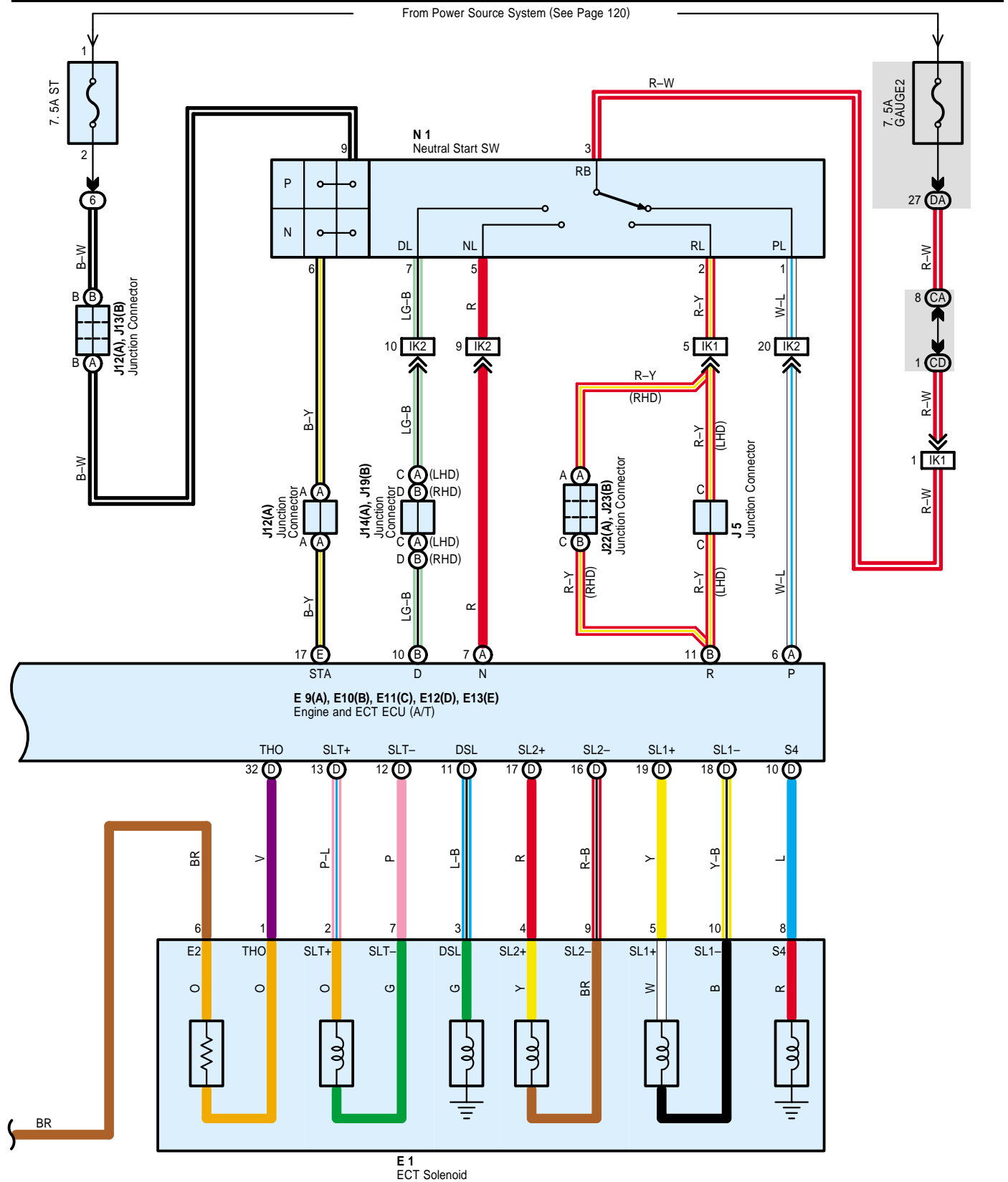


From Power Source System (See Page 120)

* 1 : Shielded



ECT and A/T Indicator (1AZ-FSE)



System Outline

Previous automatic transaxle have selected each gear shift using mechanically controlled throttle hydraulic pressure, governor hydraulic pressure and lock-up hydraulic pressure. The ECT, however, electrically controls the line pressure, throttle pressure, lock-up pressure and accumulator pressure etc. through the solenoid valve. The ECT is a system which precisely controls gear shift timing and lock-up timing in response to the vehicle's driving conditions and the engine condition detected by various sensors. It makes smooth driving possible by shift selection for each gear which is the most appropriate to the driving conditions at that time, and by preventing downing, squat and gear shift shock when starting off.

1. Gear Shift Operation

When driving, the engine warm up condition is input as a signal to TERMINAL THW of the engine and ECT ECU from the EFI water temp. sensor and the vehicle speed signal is input to TERMINAL SPD of the engine and ECT ECU. At the same time, the throttle valve opening signal from the throttle position sensor is input to TERMINAL VTA1 of the engine and ECT ECU as throttle angle signal.

Based on these signals, the engine and ECT ECU selects the best shift position for the driving conditions and sends current to the ECT solenoid.

2. Lock-Up Operation

When each signal makes engine and ECT ECU recognize that LOCK-UP condition is satisfied, the current flows from engine and ECT ECU TERMINAL DSL to ECT solenoid TERMINAL DSL. At the same time, the current flows engine and ECT ECU TERMINAL SL1+ to ECT solenoid TERMINAL SL1+ and from TERMINAL SL1- to engine and ECT ECU TERMINAL SL1-. This works LOCK-UP solenoid to perform LOCK-UP operation.

3. Stop Light SW Circuit

If the brake pedal is depressed (Stop light SW on) when driving in lock-up condition, a signal is input to TERMINAL STP of the engine and ECT ECU. The engine and ECT ECU operates and cuts the current to the solenoid to release lock-up.

4. Sequential Shift Operation

With the sequential shift function, the manual shift lever becomes available by setting the shift lever to the S position, and the S and range display indicators appear in the combination meter. Any desired range can be selected by shifting up or down the shift lever.

Service Hints

E10 (B), E11 (C), E12 (D), E13 (E) Engine and ECT ECU (A/T)

R-E1 : 10.0-14.0 volts (Ignition SW on and shift lever at R position)

D-E1 : 10.0-14.0 volts (Ignition SW on and shift lever at D position)

THO-E2 : Below 1.0 volts (Ignition SW on and AFT temperature 110 °C (230 °F))

SLT+ -SLT- : 10.0-14.0 volts (Ignition SW on)

N1 Neutral Start SW

3-1 : Closed with shift lever in P position

3-2 : Closed with shift lever in R position

3-5 : Closed with shift lever in N position

3-7 : Closed with shift lever in D position

ECT and A/T Indicator (1AZ-FSE)

○ : Parts Location

Code		See Page	Code		See Page	Code		See Page
A15		46 (LHD)	E12	D	47 (LHD)	J22	A	68 (RHD)
		66 (RHD)			67 (RHD)	J23	B	68 (RHD)
C5		38 (*3)	E13	E	47 (LHD)	J26	C	68 (RHD)
		58 (*7)			67 (RHD)	J27	D	68 (RHD)
C10	A	46 (LHD)	I14	A	47 (LHD)	J28	B	68 (RHD)
		66 (RHD)			67 (RHD)			K2
C11	B	46 (LHD)	J5		48 (LHD)	N1		39 (*3)
		66 (RHD)	J8	A	48 (LHD)		59 (*7)	
E1		38 (*3)	J10	A	48 (LHD)	S1		39 (*3)
		58 (*7)	J11	B	48 (LHD)		59 (*7)	
E2		38 (*3)	J12	A	48 (LHD)	S13		49 (LHD)
		58 (*7)			68 (RHD)		69 (RHD)	
E8		47 (LHD)	J13	B	48 (LHD)	T1		39 (*3)
		67 (RHD)			68 (RHD)		59 (*7)	
E9	A	47 (LHD)	J14	A	48 (LHD)	T4		39 (*3)
		67 (RHD)	J15		68 (RHD)		59 (*7)	
E10	B	47 (LHD)	J17		48 (LHD)	T7		49 (LHD)
		67 (RHD)			68 (RHD)		69 (RHD)	
E11	C	47 (LHD)	J19	B	68 (RHD)			
		67 (RHD)	J20	C	68 (RHD)			

○ : Relay Blocks

Code	See Page	Relay Blocks (Relay Block Location)
1	24 (*1)	Engine Room R/B No.1 (Engine Compartment Left)
4	27	Engine Room R/B No.4 (Left Side of the Suspension Tower)
6	29	Fuse Block (Lower Finish Panel)

○ : Junction Block and Wire Harness Connector

Code	See Page	Junction Block and Wire Harness (Connector Location)
1A	24 (*1)	Engine Room Main Wire and Engine Room J/B No.1 (Engine Compartment Left)
4A	27	Engine Room Main Wire and Engine Room J/B No.4 (Left Side of the Suspension Tower)
4B		
CA	34	Instrument Panel Wire and Center J/B (Instrument Panel Reinforcement RH)
CC		
CD		
CF		
CG		
CH	35	
CJ		
CK		
DA	30	Instrument Panel Wire and Driver Side J/B (Left Side of the Instrument Panel)
DB		
DC		

* 1 : Gasoline * 2 : 1CD-FTV * 3 : LHD 1AZ-FSE * 4 : LHD 1AZ-FE * 5 : LHD 1ZZ-FE, 3ZZ-FE * 6 : LHD 1CD-FTV
 * 7 : RHD 1AZ-FSE * 8 : RHD 1AZ-FE * 9 : RHD 1ZZ-FE, 3ZZ-FE * 10 : RHD 1CD-FTV

 : Connector Joining Wire Harness and Wire Harness

Code	See Page	Joining Wire Harness and Wire Harness (Connector Location)
IC1	86 (LHD)	Instrument Panel Wire and Floor Wire (Left Kick Panel)
	106 (RHD)	
IE1	86 (LHD)	Engine Room Main Wire and Instrument Panel Wire (Behind the Combination Meter)
	106 (RHD)	Engine Room Main Wire and Instrument Panel Wire (Behind the Glove Box)
IE2	86 (LHD)	Engine Room Main Wire and Instrument Panel Wire (Behind the Combination Meter)
	106 (RHD)	Engine Room Main Wire and Instrument Panel Wire (Behind the Glove Box)
IE3	86 (LHD)	Engine Room Main Wire and Instrument Panel Wire (Behind the Combination Meter)
IE4		
IG2	88 (LHD)	Instrument Panel Wire and Switch Wire (Instrument Panel Brace LH)
IK1	88 (LHD)	Engine Wire and Instrument Panel Wire (Behind the Glove Box)
	108 (RHD)	
IK2	88 (LHD)	
	108 (RHD)	
IO1	108 (RHD)	Engine Room Main Wire and Instrument Panel Wire (Left Side of the Instrument Panel)
IP1	108 (RHD)	Engine Room Main Wire and Instrument Panel Wire (Instrument Panel Reinforcement LH)
IR1	108 (RHD)	Instrument Panel Wire and Cowl Wire (Right Side of the Instrument Panel)

 : Ground Points

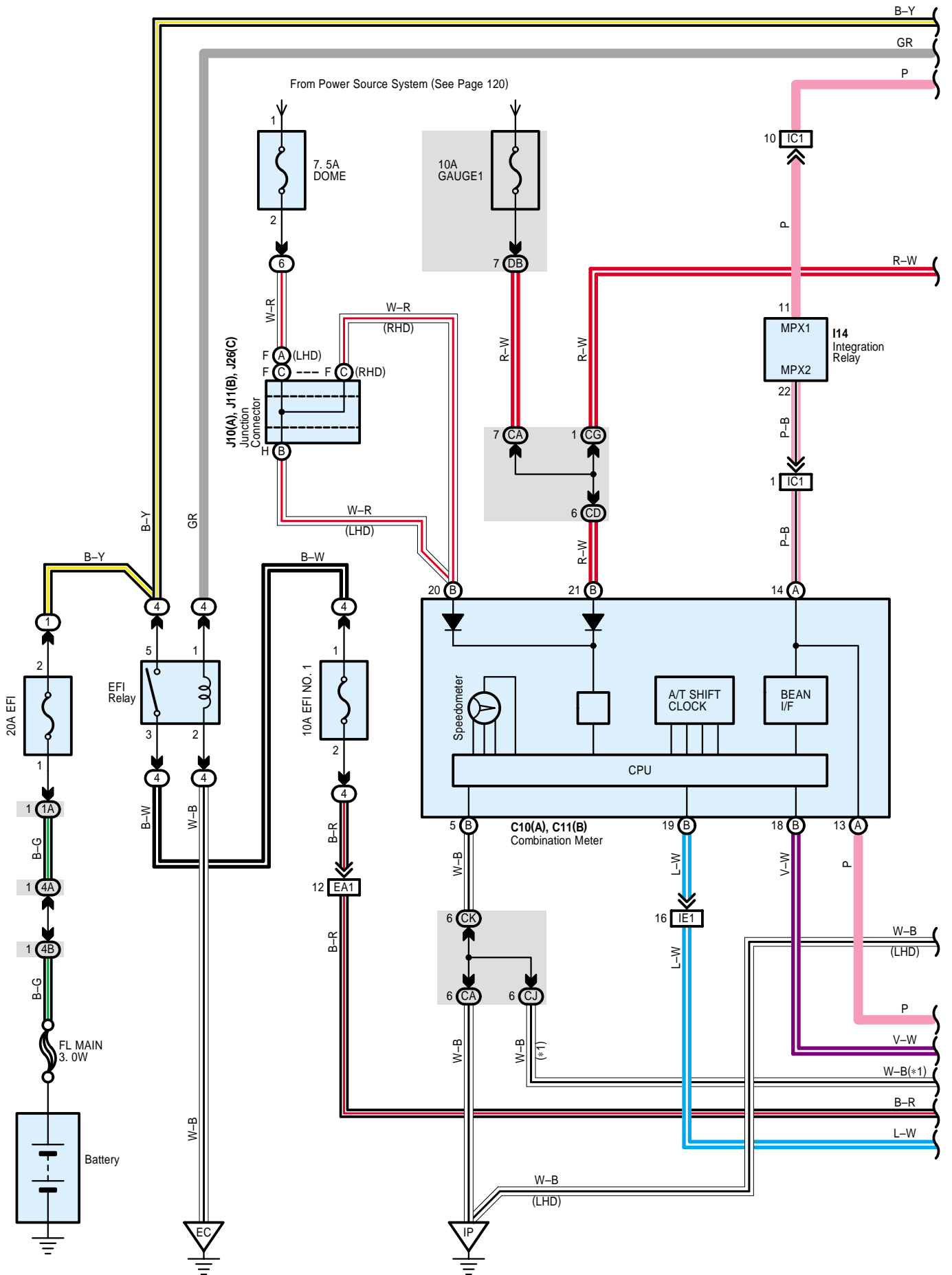
Code	See Page	Ground Points Location
EC	78 (*3)	Engine Compartment Left
	98 (*7)	
EE	78 (*3)	Intake Side of Cylinder Block
	98 (*7)	
EF	78 (*3)	Left Side of the Cylinder Head
	98 (*7)	
IJ	86 (LHD)	Left Kick Panel
	106 (RHD)	
IK	106 (RHD)	Behind the Combination Meter
IP	86 (LHD)	Right Kick Panel
	106 (RHD)	

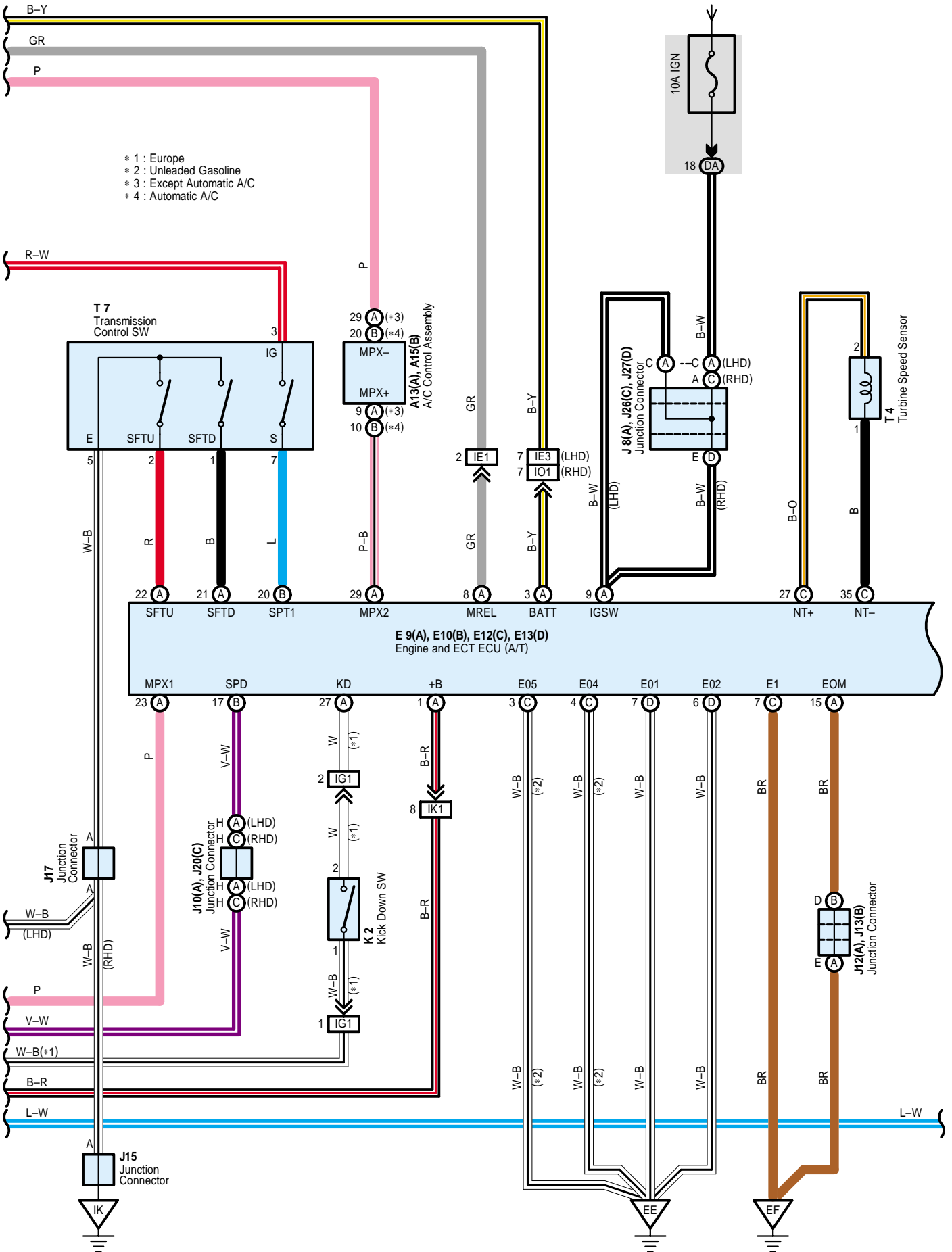
 : Splice Points

Code	See Page	Wire Harness with Splice Points	Code	See Page	Wire Harness with Splice Points
E3	78 (*3)	Engine Wire	I3	108 (RHD)	Engine Wire

* 1 : Gasoline * 2 : 1CD-FTV * 3 : LHD 1AZ-FSE * 4 : LHD 1AZ-FE * 5 : LHD 1ZZ-FE, 3ZZ-FE * 6 : LHD 1CD-FTV
 * 7 : RHD 1AZ-FSE * 8 : RHD 1AZ-FE * 9 : RHD 1ZZ-FE, 3ZZ-FE * 10 : RHD 1CD-FTV

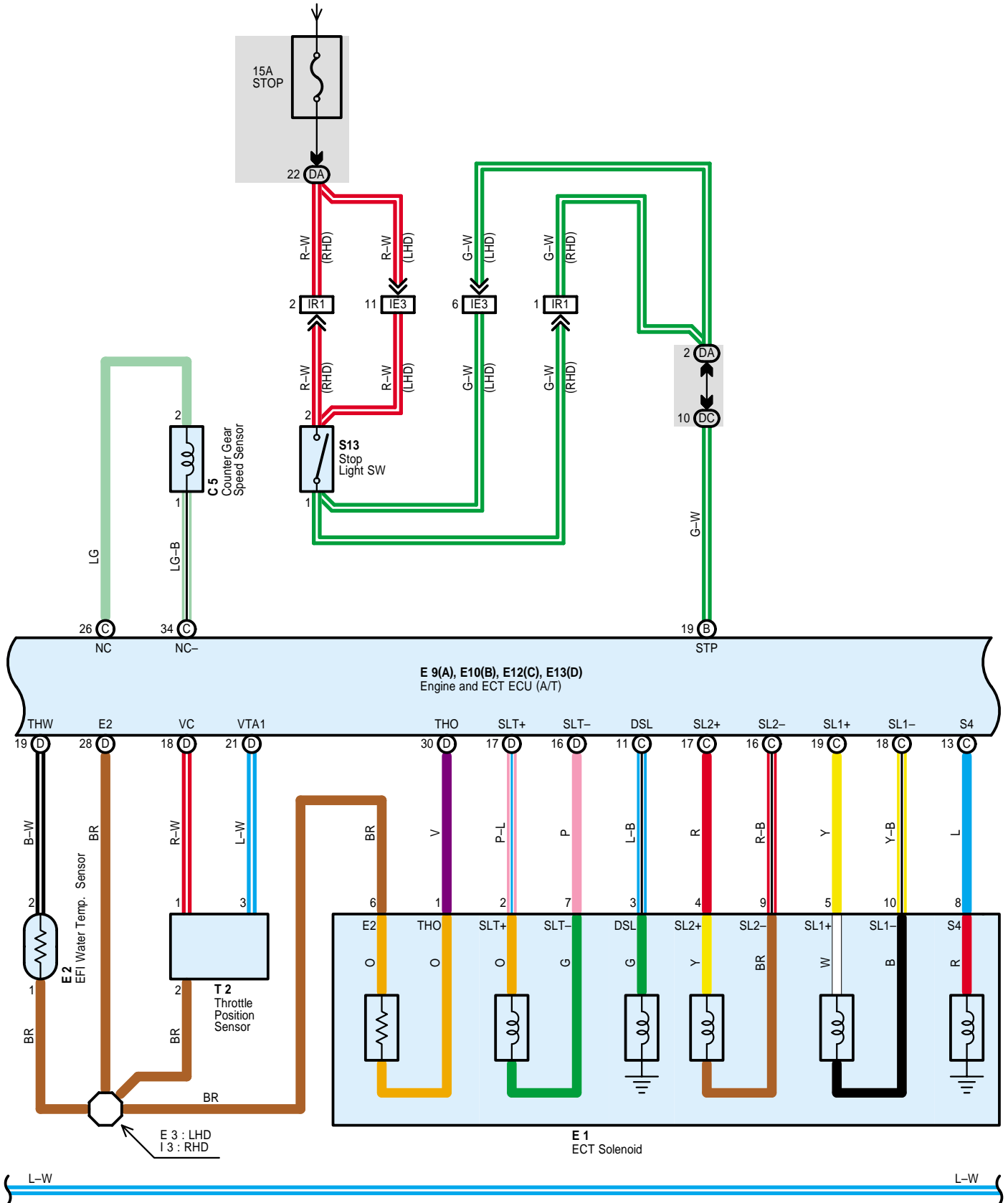
ECT and A/T Indicator (1AZ-FE)

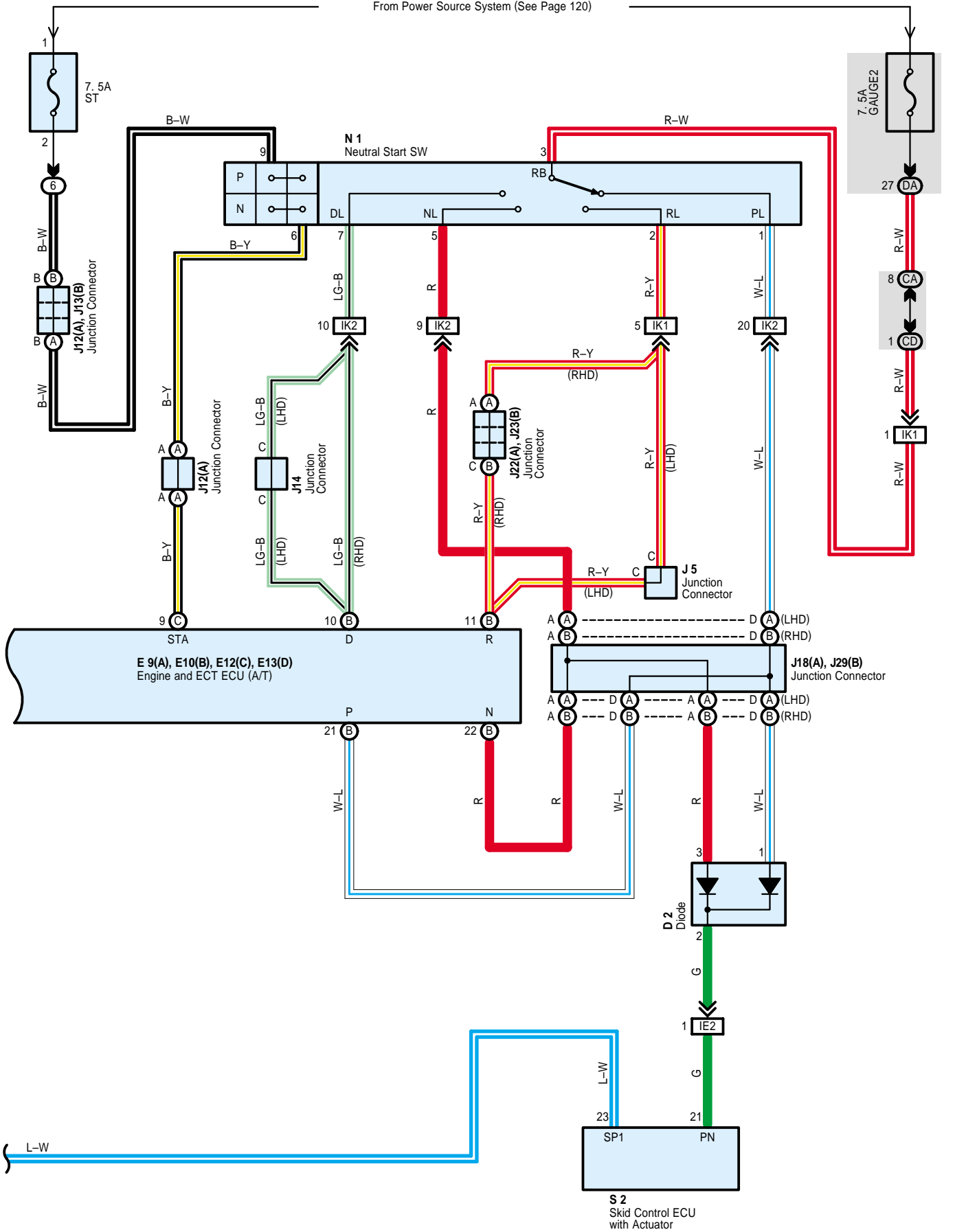




ECT and A/T Indicator (1AZ-FE)

From Power Source System (See Page 120)





ECT and A/T Indicator (1AZ-FE)

System Outline

Previous automatic transaxle have selected each gear shift using mechanically controlled throttle hydraulic pressure, governor hydraulic pressure and lock-up hydraulic pressure. The ECT, however, electrically controls the line pressure, throttle pressure, lock-up pressure and accumulator pressure etc. through the solenoid valve. The ECT is a system which precisely controls gear shift timing and lock-up timing in response to the vehicle's driving conditions and the engine condition detected by various sensors. It makes smooth driving possible by shift selection for each gear which is the most appropriate to the driving conditions at that time, and by preventing downing, squat and gear shift shock when starting off.

1. Gear Shift Operation

When driving, the engine warm up condition is input as a signal to TERMINAL THW of the engine and ECT ECU from the EFI water temp. sensor and the vehicle speed signal is input to TERMINAL SPD of the engine and ECT ECU. At the same time, the throttle valve opening signal from the throttle position sensor is input to TERMINAL VTA1 of the engine and ECT ECU as throttle angle signal.

Based on these signals, the engine and ECT ECU selects the best shift position for the driving conditions and sends current to the ECT solenoid.

2. Lock-Up Operation

When each signal makes engine and ECT ECU recognize that LOCK-UP condition is satisfied, the current flows from engine and ECT ECU TERMINAL DSL to ECT solenoid TERMINAL DSL. At the same time, the current flows engine and ECT ECU TERMINAL SL1+ to ECT solenoid TERMINAL SL1+ and from TERMINAL SL1- to engine and ECT ECU TERMINAL SL1-. This works LOCK-UP solenoid to perform LOCK-UP operation.

3. Stop Light SW Circuit

If the brake pedal is depressed (Stop light SW on) when driving in lock-up condition, a signal is input to TERMINAL STP of the engine and ECT ECU. The engine and ECT ECU operates and cuts the current to the solenoid to release lock-up.

4. Sequential Shift Operation

With the sequential shift function, the manual shift lever becomes available by setting the shift lever to the S position, and the S and range display indicators appear in the combination meter. Any desired range can be selected by shifting up or down the shift lever.

Service Hints

E10 (B), E12 (C), E13 (D) Engine and ECT ECU (A/T)

R-E1 : 10.0-14.0 volts (Ignition SW on and shift lever at R position)

D-E1 : 10.0-14.0 volts (Ignition SW on and shift lever at D position)

THO-E2 : Below 1.0 volts (Ignition SW on and AFT temperature 110 °C (230 °F))

SLT+ -SLT- : 10.0-14.0 volts (Ignition SW on)

N1 Neutral Start SW

3-1 : Closed with shift lever in P position

3-2 : Closed with shift lever in R position

3-5 : Closed with shift lever in N position

3-7 : Closed with shift lever in D position

○ : Parts Location

Code		See Page	Code		See Page	Code		See Page
A13	A	46 (LHD)	E12	C	47 (LHD)	J22	A	68 (RHD)
		66 (RHD)			67 (RHD)			J23
A15	B	46 (LHD)	E13	D	47 (LHD)	J26	C	68 (RHD)
		66 (RHD)			67 (RHD)			J27
C5		40 (*4)	I14		47 (LHD)	J29	B	68 (RHD)
		60 (*8)			67 (RHD)			K2
C10	A	46 (LHD)	J5		48 (LHD)	N1		41 (*4)
		66 (RHD)	J8	A	48 (LHD)			61 (*8)
C11	B	46 (LHD)	J10	A	48 (LHD)	S2		41 (*4)
		66 (RHD)	J11	B	48 (LHD)			61 (*8)
D2		47 (LHD)	J12	A	48 (LHD)	S13		49 (LHD)
		67 (RHD)			68 (RHD)			69 (RHD)
E1		40 (*4)	J13	B	48 (LHD)	T2		41 (*4)
		60 (*8)			68 (RHD)			61 (*8)
E2		40 (*4)	J14		48 (LHD)	T4		41 (*4)
		60 (*8)	J15		68 (RHD)			61 (*8)
E9	A	47 (LHD)	J17		48 (LHD)	T7		49 (LHD)
		67 (RHD)			68 (RHD)			69 (RHD)
E10	B	47 (LHD)	J18	A	48 (LHD)			
		67 (RHD)	J20	C	68 (RHD)			

○ : Relay Blocks

Code	See Page	Relay Blocks (Relay Block Location)
1	24 (*1)	Engine Room R/B No.1 (Engine Compartment Left)
4	27	Engine Room R/B No.4 (Left Side of the Suspension Tower)
6	29	Fuse Block (Lower Finish Panel)

○ : Junction Block and Wire Harness Connector

Code	See Page	Junction Block and Wire Harness (Connector Location)
1A	24 (*1)	Engine Room Main Wire and Engine Room J/B No.1 (Engine Compartment Left)
4A	27	Engine Room Main Wire and Engine Room J/B No.4 (Left Side of the Suspension Tower)
4B		
CA	34	Instrument Panel Wire and Center J/B (Instrument Panel Reinforcement RH)
CD		
CG	35	Instrument Panel Wire and Center J/B (Instrument Panel Reinforcement RH)
CJ		
CK		
DA	30	Instrument Panel Wire and Driver Side J/B (Left Side of the Instrument Panel)
DB		
DC		

* 1 : Gasoline * 2 : 1CD-FTV * 3 : LHD 1AZ-FSE * 4 : LHD 1AZ-FE * 5 : LHD 1ZZ-FE, 3ZZ-FE * 6 : LHD 1CD-FTV
 * 7 : RHD 1AZ-FSE * 8 : RHD 1AZ-FE * 9 : RHD 1ZZ-FE, 3ZZ-FE * 10 : RHD 1CD-FTV

ECT and A/T Indicator (1AZ-FE)

: Connector Joining Wire Harness and Wire Harness

Code	See Page	Joining Wire Harness and Wire Harness (Connector Location)
EA1	80 (*4)	Engine Wire and Engine Room Main Wire (Left Side of the Suspension Tower)
	100 (*8)	
IC1	86 (LHD)	Instrument Panel Wire and Floor Wire (Left Kick Panel)
	106 (RHD)	
IE1	86 (LHD)	Engine Room Main Wire and Instrument Panel Wire (Behind the Combination Meter)
	106 (RHD)	Engine Room Main Wire and Instrument Panel Wire (Behind the Glove Box)
IE2	86 (LHD)	Engine Room Main Wire and Instrument Panel Wire (Behind the Combination Meter)
	106 (RHD)	Engine Room Main Wire and Instrument Panel Wire (Behind the Glove Box)
IE3	86 (LHD)	Engine Room Main Wire and Instrument Panel Wire (Behind the Combination Meter)
IG1	88 (LHD)	Instrument Panel Wire and Switch Wire (Instrument Panel Brace LH)
IK1	88 (LHD)	Engine Wire and Instrument Panel Wire (Behind the Glove Box)
	108 (RHD)	
IK2	88 (LHD)	
	108 (RHD)	
IO1	108 (RHD)	Engine Room Main Wire and Instrument Panel Wire (Left Side of the Instrument Panel)
IR1	108 (RHD)	Instrument Panel Wire and Cowl Wire (Right Side of the Instrument Panel)

: Ground Points

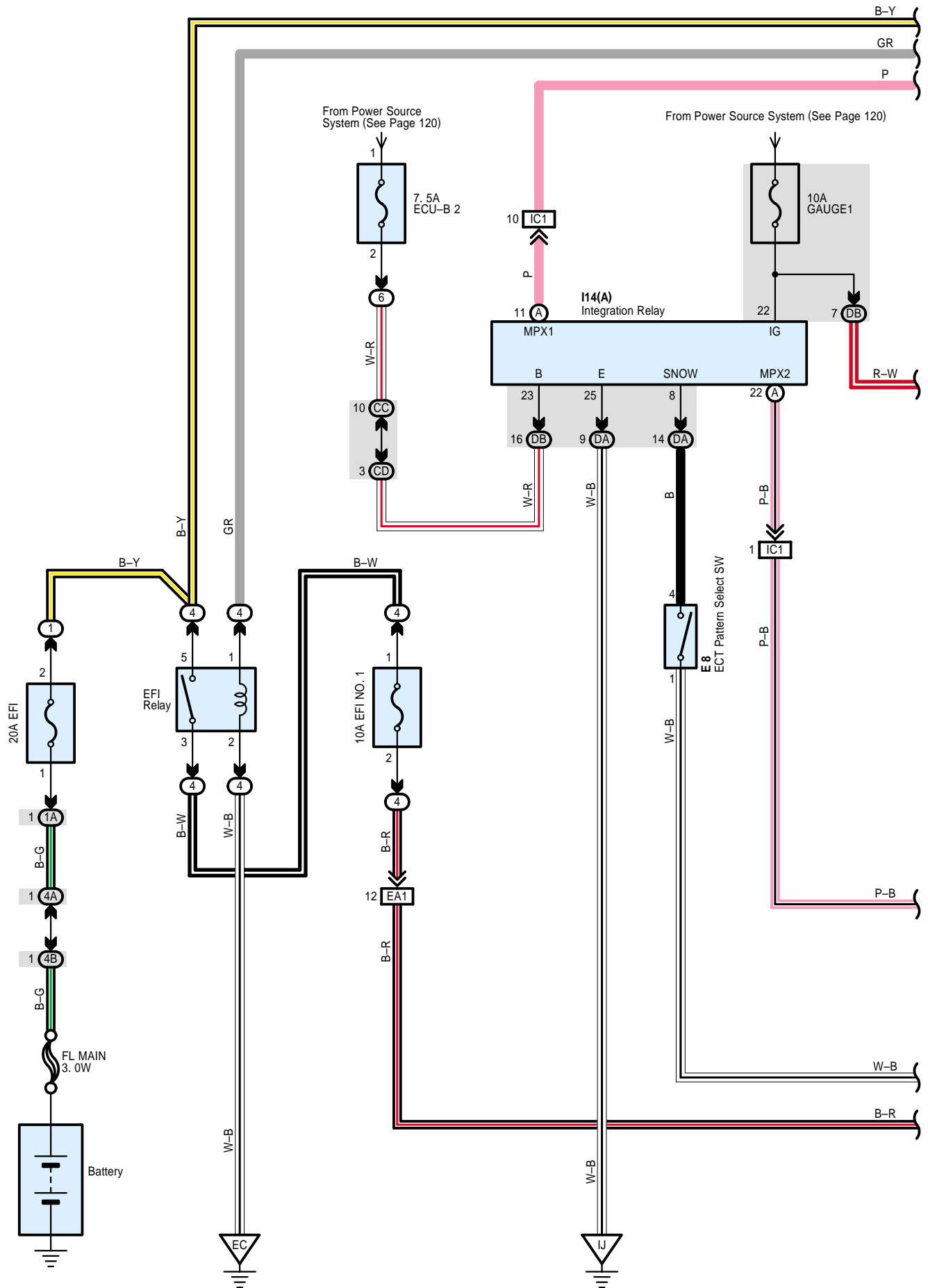
Code	See Page	Ground Points Location
EC	80 (*4)	Engine Compartment Left
	100 (*8)	
EE	80 (*4)	Intake Side of Cylinder Block
	100 (*8)	
EF	80 (*4)	Left Side of the Cylinder Head
	100 (*8)	
IK	106 (RHD)	Behind the Combination Meter
IP	86 (LHD)	Right Kick Panel
	106 (RHD)	

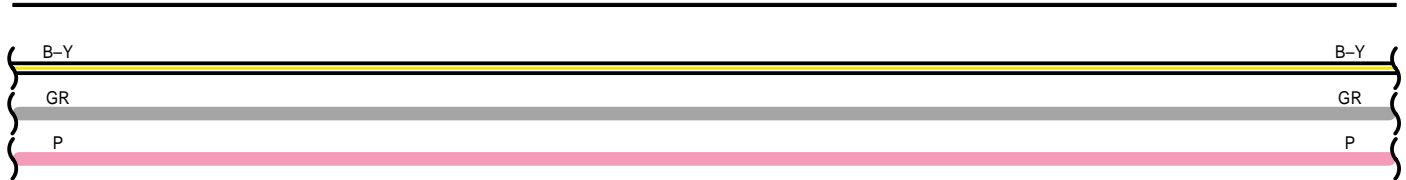
: Splice Points

Code	See Page	Wire Harness with Splice Points	Code	See Page	Wire Harness with Splice Points
E3	80 (*4)	Engine Wire	I3	108 (RHD)	Engine Wire

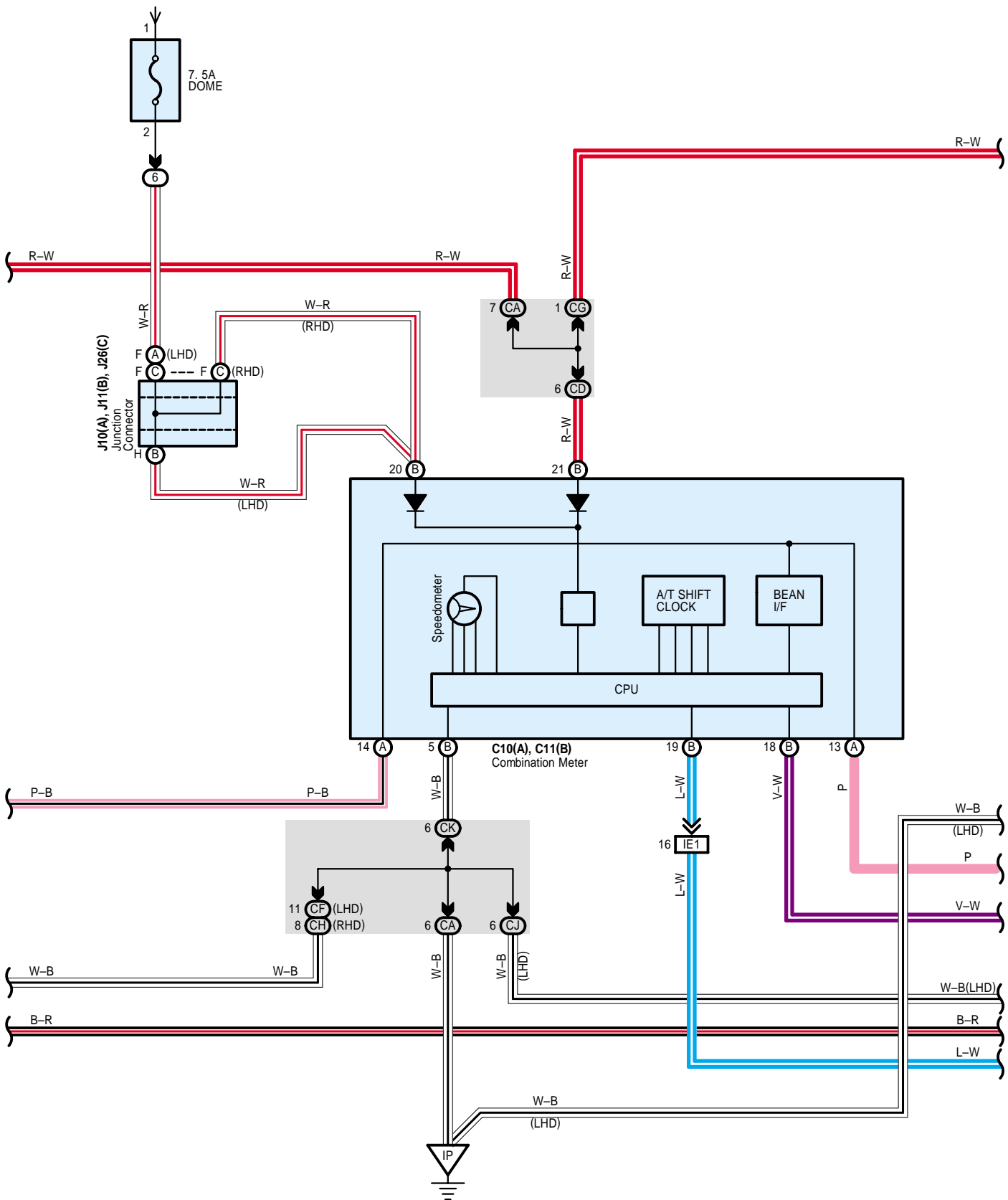
* 1 : Gasoline * 2 : 1CD-FTV * 3 : LHD 1AZ-FSE * 4 : LHD 1AZ-FE * 5 : LHD 1ZZ-FE, 3ZZ-FE * 6 : LHD 1CD-FTV
 * 7 : RHD 1AZ-FSE * 8 : RHD 1AZ-FE * 9 : RHD 1ZZ-FE, 3ZZ-FE * 10 : RHD 1CD-FTV

ECT and A/T Indicator (1ZZ-FE)

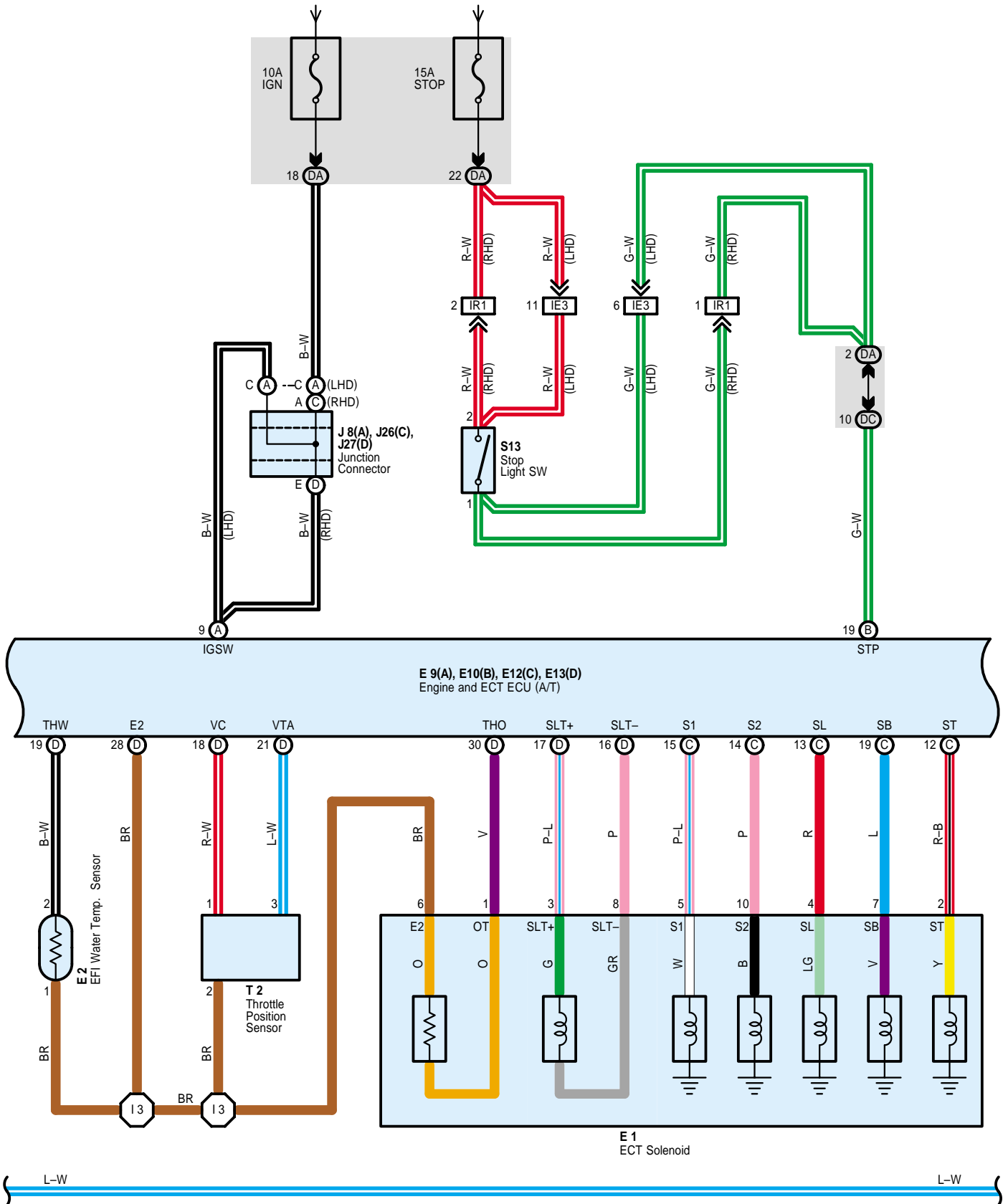




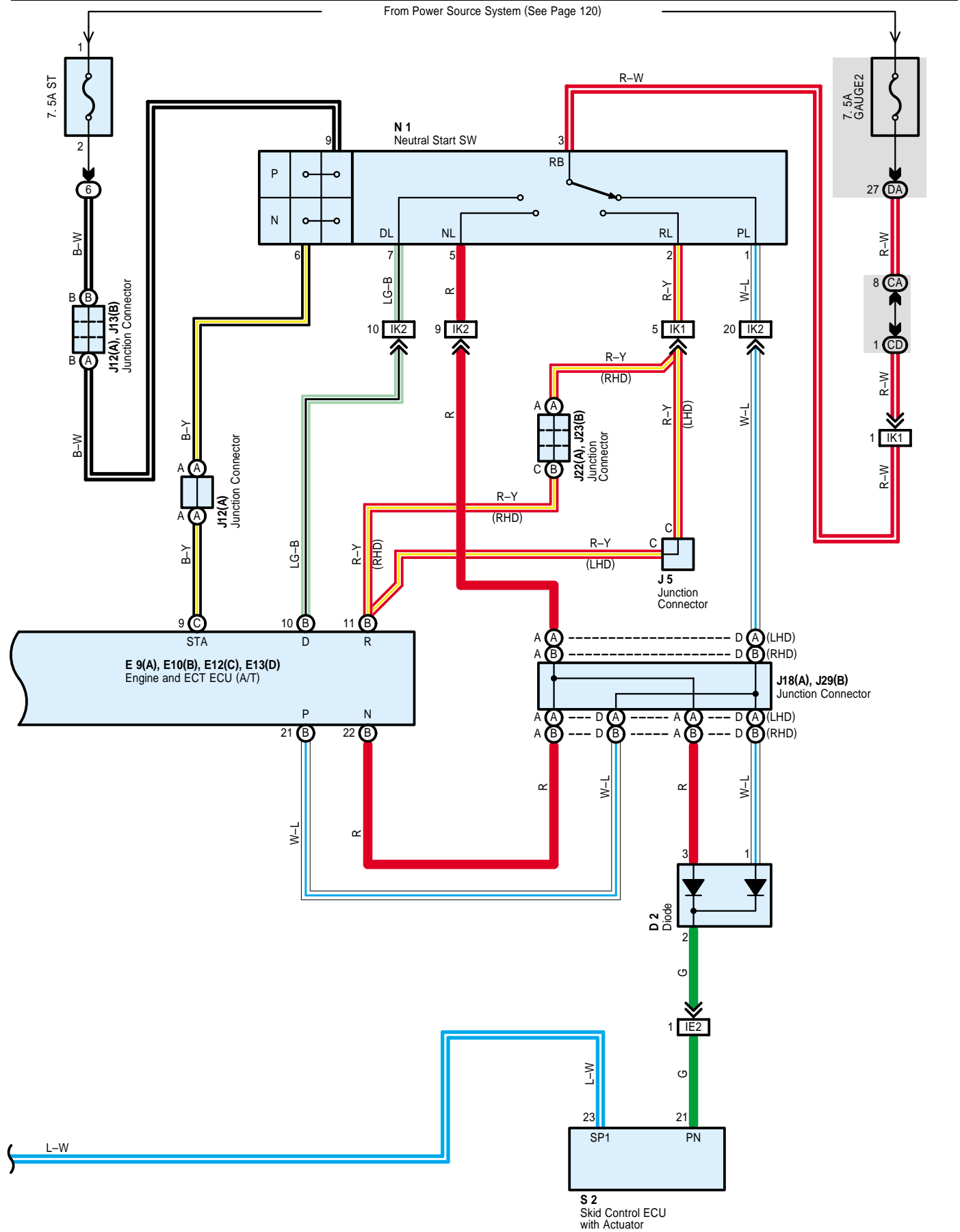
From Power Source System (See Page 120)



From Power Source System (See Page 120)



ECT and A/T Indicator (1ZZ-FE)



System Outline

Engine and ECT ECU controls of the solenoid valve based on the input signals from each sensor which makes smooth driving possible by shift selection for each gear which is most appropriate to the driving conditions at that time.

1. Gear Shift Operation

When driving, the engine warm up condition is input as a signal to TERMINAL THW of the engine and ECT ECU from the EFI water temp. sensor and the vehicle speed signal is input to TERMINAL SPD of the engine and ECT ECU. At the same time, the throttle valve opening signal from the throttle position sensor is input to TERMINAL VTA of the engine and ECT ECU as throttle angle signal.

Based on these signals, the engine and ECT ECU selects the best shift position for the driving conditions and sends current to the ECT solenoid.

2. Stop Light SW Circuit

If the brake pedal is depressed (Stop light SW on) when driving in lock-up condition, a signal is input to TERMINAL STP of the engine and ECT ECU. The engine and ECT ECU operates and cuts the current to the solenoid to release lock-up.

3. Sequential Shift Operation

With the sequential shift function, the manual shift lever becomes available by setting the shift lever to the S position, and the S and range display indicators appear in the combination meter. Any desired range can be selected by shifting up or down the shift lever.

Service Hints

E10 (B), E12 (C) Engine and ECT ECU (A/T)

D-E1 : 8.0–14.0 volts (Ignition SW on and shift lever at D position)

R-E1 : 8.0–14.0 volts (Ignition SW on and shift lever at R position)

N1 Neutral Start SW

3-1 : Closed with shift lever in P position

3-2 : Closed with shift lever in R position

3-7 : Closed with shift lever in D position

3-5 : Closed with shift lever in N position

○ : Parts Location

Code	See Page	Code	See Page	Code	See Page
A13	A	46 (LHD)	E10	B	67 (RHD)
		66 (RHD)	E12	C	47 (LHD)
A15	B	46 (LHD)	E13	D	67 (RHD)
		66 (RHD)			47 (LHD)
C10	A	46 (LHD)	I14	A	67 (RHD)
		66 (RHD)			47 (LHD)
C11	B	46 (LHD)	J5	A	67 (RHD)
		66 (RHD)			48 (LHD)
D2		47 (LHD)	J8	A	48 (LHD)
		67 (RHD)	J10	A	48 (LHD)
E1		42 (*5)	J11	B	48 (LHD)
		62 (*9)			48 (LHD)
E2		42 (*5)	J12	A	68 (RHD)
		62 (*9)			48 (LHD)
E8		47 (LHD)	J13	B	68 (RHD)
		67 (RHD)			J15
E9	A	47 (LHD)	J17		48 (LHD)
		67 (RHD)			68 (RHD)
E10	B	47 (LHD)	J18	A	48 (LHD)

* 1 : Gasoline * 2 : 1CD-FTV * 3 : LHD 1AZ-FSE * 4 : LHD 1AZ-FE * 5 : LHD 1ZZ-FE, 3ZZ-FE * 6 : LHD 1CD-FTV

* 7 : RHD 1AZ-FSE * 8 : RHD 1AZ-FE * 9 : RHD 1ZZ-FE, 3ZZ-FE * 10 : RHD 1CD-FTV

ECT and A/T Indicator (1ZZ-FE)

: Relay Blocks

Code	See Page	Relay Blocks (Relay Block Location)
1	24 (*1)	Engine Room R/B No.1 (Engine Compartment Left)
4	27	Engine Room R/B No.4 (Left Side of the Suspension Tower)
6	29	Fuse Block (Lower Finish Panel)

: Junction Block and Wire Harness Connector

Code	See Page	Junction Block and Wire Harness (Connector Location)
1A	24 (*1)	Engine Room Main Wire and Engine Room J/B No.1 (Engine Compartment Left)
4A	27	Engine Room Main Wire and Engine Room J/B No.4 (Left Side of the Suspension Tower)
4B		
CA	34	Instrument Panel Wire and Center J/B (Instrument Panel Reinforcement RH)
CC		
CD		
CF		
CG	35	Instrument Panel Wire and Center J/B (Instrument Panel Reinforcement RH)
CH		
CJ		
CK		
DA	30	Instrument Panel Wire and Driver Side J/B (Left Side of the Instrument Panel)
DB		
DC		

: Connector Joining Wire Harness and Wire Harness

Code	See Page	Joining Wire Harness and Wire Harness (Connector Location)
EA1	82 (*5)	Engine Wire and Engine Room Main Wire (Left Side of the Suspension Tower)
	102 (*9)	
IC1	86 (LHD)	Instrument Panel Wire and Floor Wire (Left Kick Panel)
	106 (RHD)	
IE1	86 (LHD)	Engine Room Main Wire and Instrument Panel Wire (Behind the Combination Meter)
	106 (RHD)	Engine Room Main Wire and Instrument Panel Wire (Behind the Glove Box)
IE2	86 (LHD)	Engine Room Main Wire and Instrument Panel Wire (Behind the Combination Meter)
	106 (RHD)	Engine Room Main Wire and Instrument Panel Wire (Behind the Glove Box)
IE3	86 (LHD)	Engine Room Main Wire and Instrument Panel Wire (Behind the Combination Meter)
IG1	88 (LHD)	Instrument Panel Wire and Switch Wire (Instrument Panel Brace LH)
IK1	88 (LHD)	Engine Wire and Instrument Panel Wire (Behind the Glove Box)
	108 (RHD)	
IK2	88 (LHD)	Engine Wire and Instrument Panel Wire (Behind the Glove Box)
	108 (RHD)	
IO1	108 (RHD)	Engine Room Main Wire and Instrument Panel Wire (Left Side of the Instrument Panel)
IR1	108 (RHD)	Instrument Panel Wire and Cowl Wire (Right Side of the Instrument Panel)

* 1 : Gasoline * 2 : 1CD-FTV * 3 : LHD 1AZ-FSE * 4 : LHD 1AZ-FE * 5 : LHD 1ZZ-FE, 3ZZ-FE * 6 : LHD 1CD-FTV
 * 7 : RHD 1AZ-FSE * 8 : RHD 1AZ-FE * 9 : RHD 1ZZ-FE, 3ZZ-FE * 10 : RHD 1CD-FTV

**: Ground Points**

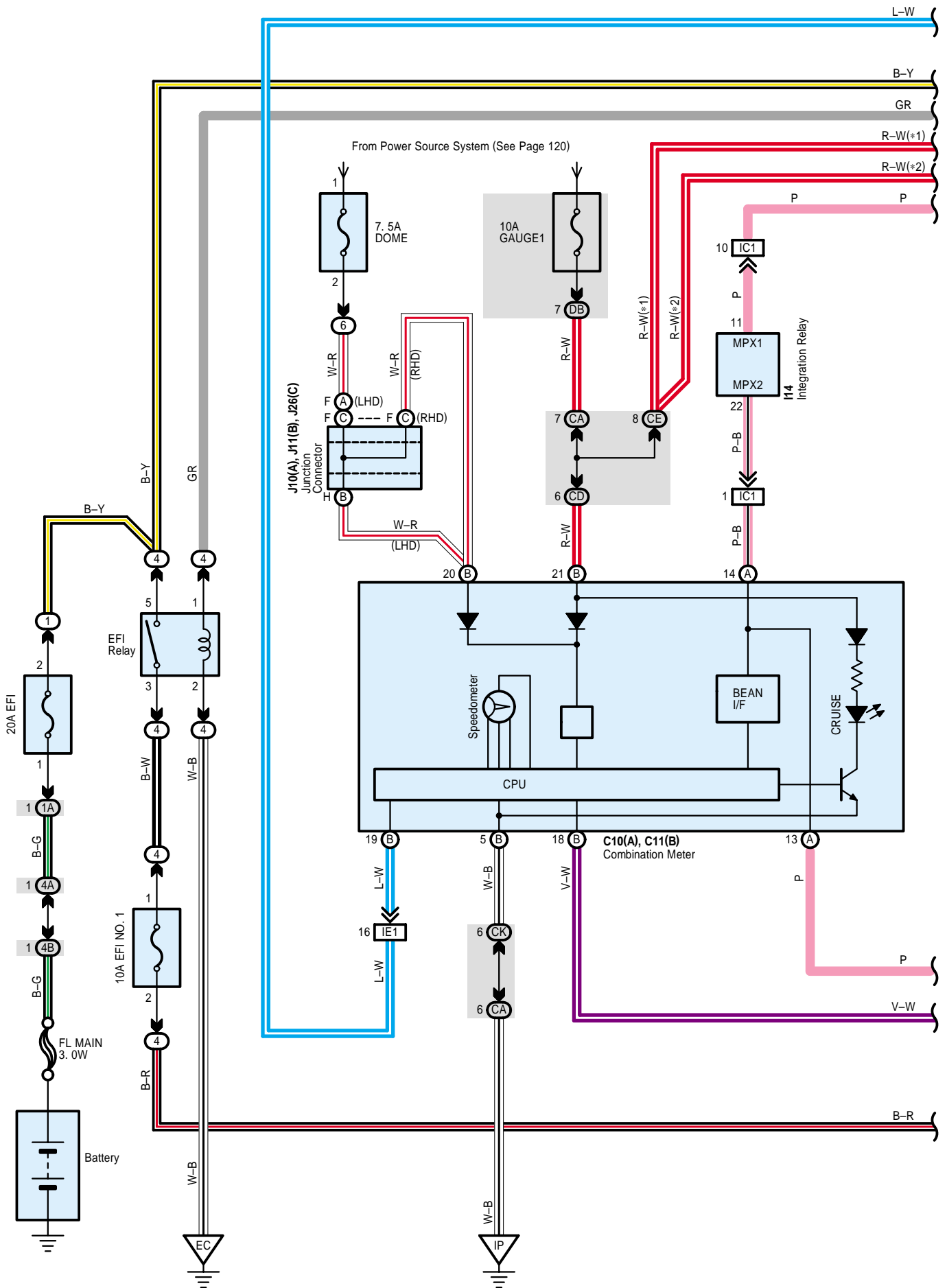
Code	See Page	Ground Points Location
EC	82 (*5)	Engine Compartment Left
	102 (*9)	
EG	82 (*5)	Left Side of the Cylinder Head
	102 (*9)	
EH	82 (*5)	
	102 (*9)	
IJ	86 (LHD)	Left Kick Panel
	106 (RHD)	
IK	106 (RHD)	Behind the Combination Meter
IP	86 (LHD)	Right Kick Panel
	106 (RHD)	

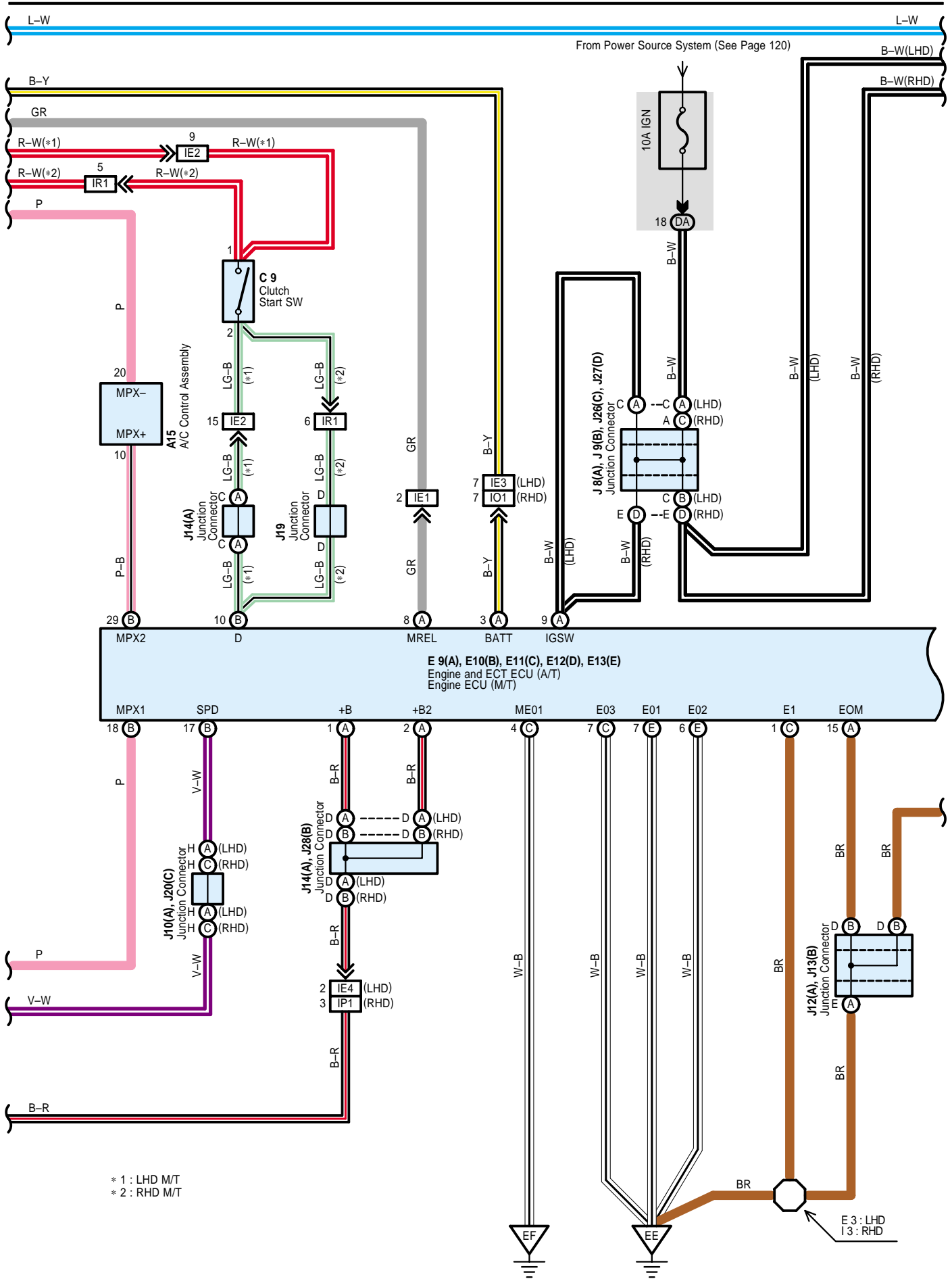
**: Splice Points**

Code	See Page	Wire Harness with Splice Points	Code	See Page	Wire Harness with Splice Points
I3	88 (LHD)	Engine Wire	I3	108 (RHD)	Engine Wire

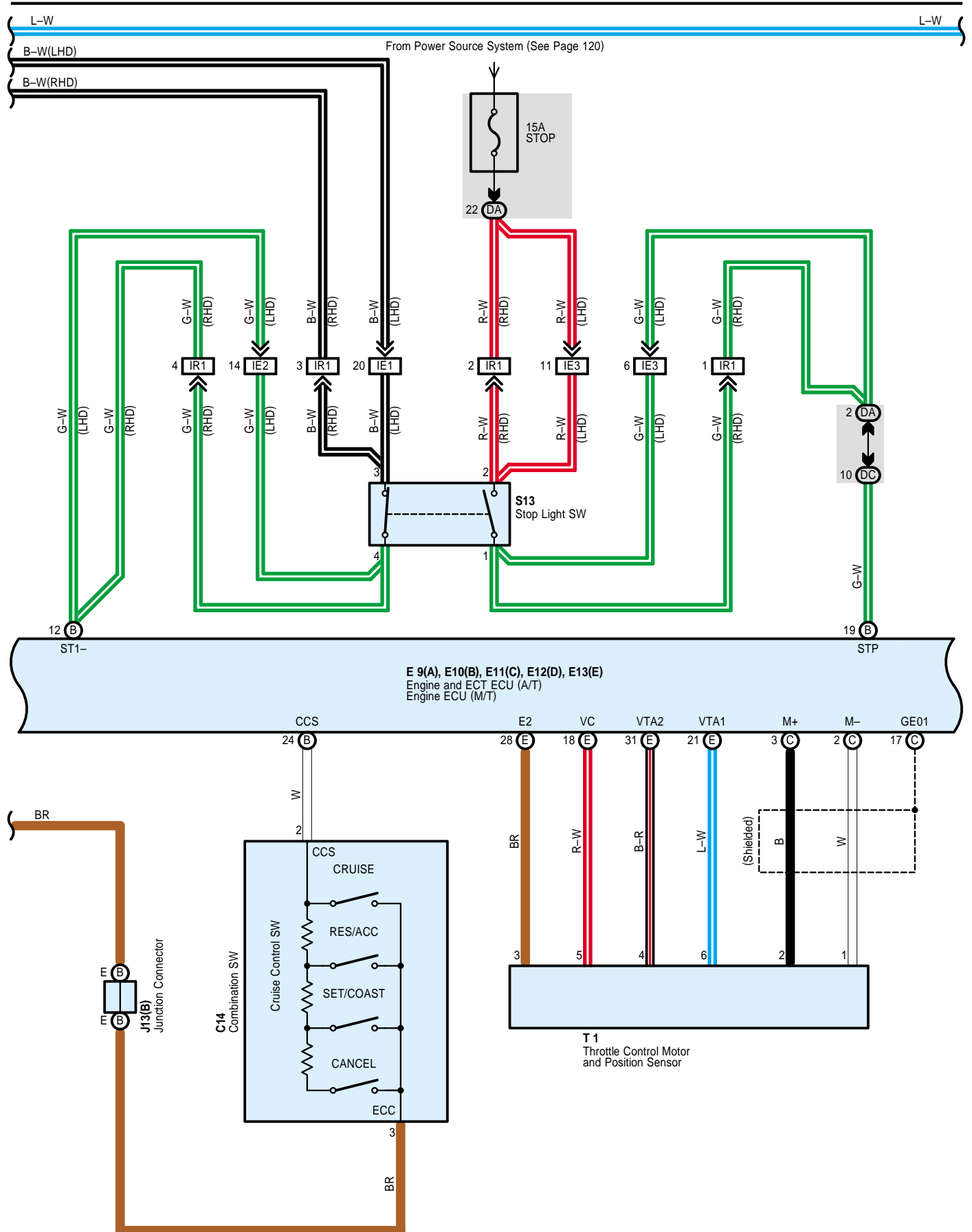
* 1 : Gasoline * 2 : 1CD-FTV * 3 : LHD 1AZ-FSE * 4 : LHD 1AZ-FE * 5 : LHD 1ZZ-FE, 3ZZ-FE * 6 : LHD 1CD-FTV
 * 7 : RHD 1AZ-FSE * 8 : RHD 1AZ-FE * 9 : RHD 1ZZ-FE, 3ZZ-FE * 10 : RHD 1CD-FTV

Cruise Control (1AZ-FSE)





Cruise Control (1AZ-FSE)



Cruise Control (1AZ-FSE)

System Outline

The cruise control system is a fixed speed driving control function that, when you want to drive your car on a highway at a fixed speed, automatically adjusts the opening of the throttle valve simply by manually operating the cruise control SW without stamping on the accelerator pedal.

1. Set Operation

When the cruise control main SW is turned on, the system starts preparations necessary for the cruiser control and turns on the CRUISE indicator light in the combination meter.

2. Set Speed Control

When the SET/COAST SW is operated with the cruise control main SW turned on during travelling, the constant vehicle speed is controlled.

3. Coast Control

When the SET/COAST SW is kept on during cruise control driving, this system reduces the requested cruise control opening to 0 to decelerate the car (However, the throttle valve is not fully closed by the ISC, etc.), and stores the car speed at the time the SW is turned off, and provides fixed speed control.

4. Accel Control

When the RESUME/ACCEL SW is kept on during cruise control driving, this system performs fixed acceleration control by running the electronic throttle motor in the opening direction of the throttle valve, and stores the car speed at the time the SW is turned off, and provides fixed speed control.

5. Resume Control

If the driving speed is still above the lower speed limit after cruise control by signals is canceled with the stop light SW on, the clutch SW off, the CANCEL SW of the cruise control SW on, and the VSC activated, fixed acceleration control is performed by setting the RESUME/ACCEL SW from off to on to reset the car speed to the speed stored at the time of cancellation.

6. Tap-Up Control Function

This function increases the stored car speed by approximately 1.5 km/h each time the RESUME/ACCEL SW is instantaneously (For approximately 0.5 seconds) turned on.

However, if the difference between the stored and actual car speeds is 5 km/h or more, the stored car speed cannot be changed by this operation.

7. Tap-Down Control Function

This function reduces the stored car speed by approximately 1.5 km/h each time the SET/COAST SW is instantaneously (For approximately 0.5 seconds) turned on.

However, if the difference between the stored and actual car speeds is 5 km/h or more, the car speed at the time the switch is turned off is stored for fixed speed control by tap-down operation.

8. Manual Cancel Mechanism

If any of the following signals is input during cruise control travelling, the cruise control is cancelled.

- * The stop light SW is turned on.
- * The clutch SW is turned off.
- * The CANCEL SW is turned on.
- * The cruise control main SW is turned off.
- * The VSC is activated.

9. Auto Cancel Function

A) If either of the following problems occurs, the stored speed will be cleared, and control will be canceled.

In this case, the CRUISE indicator will remain flickering until the main SW is turned off, and control will stay disabled until the main SW is turned on.

- * The stop light SW is disconnected or shorted.
- * The vehicle speed signal is faulty.
- * The electronically controlled throttle malfunctions.

B) If any of the following problems occurs, the stored speed will be cleared, and control will be canceled.

In this case, the CRUISE indicator will remain flickering until the main SW is turned off, and control will stay disabled until the ignition SW is turned off.

- * The stop light SW input circuit is malfunctioning.
- * The cancel circuit is malfunctioning.

C) If any of the following conditions occurs during cruise control operation, the set speed is erased and the cruise control is released.

- * When the vehicle speed falls below the minimum speed limit (Approx. 40 km/h 25 mph).
- * The driving speed is more than 16 km/h below the stored car speed.

Service Hints

E9 (A), E10 (B), E11 (C), E13 (E) Engine and ECT ECU (A/T) or Engine ECU (M/T)

- (A) 9–Ground : Approx. 12 volts with the ignition SW at ON position
- (A) 1, (A) 2, (A) 3, (B) 6–Ground : Always approx. 12 volts
- (A) 15, (C) 1, (C) 4, (C) 7, (E) 6, (E) 7–Ground : Always continuity
- (B) 19–Ground : Approx. 12 volts with the stop light SW at on
- (B) 24–Ground : Continuity with the cruise control main SW at on
 Approx. 1540 Ω with the CANCEL SW on in cruise control SW
 Approx. 240 Ω with the RES/ACC SW on in cruise control SW
 Approx. 630 Ω with the SET/COAST SW on in cruise control SW

C14 Combination SW

- 2–3 : Approx. 1540 Ω with the CANCEL SW on
 Approx. 240 Ω with the RES/ACC SW on
 Approx. 630 Ω with the SET/COAST SW on

○ : Parts Location

Code	See Page	Code	See Page	Code	See Page	
A15	46 (LHD)	E12	D	47 (LHD)	J27 D 68 (RHD)	
	66 (RHD)			67 (RHD)	J28 B 68 (RHD)	
A20	46 (LHD)	E13	E	47 (LHD)	J30	51 (LHD S/D)
	66 (RHD)			67 (RHD)		53 (LHD L/B)
C9	46 (LHD)	I14	47 (LHD)	55 (LHD W/G)		
	66 (RHD)		67 (RHD)	71 (RHD S/D)		
C10	46 (LHD)	J8	A	48 (LHD)		73 (RHD L/B)
	66 (RHD)	J9	B	48 (LHD)		75 (RHD W/G)
C11	46 (LHD)	J10	A	48 (LHD)	N1	39 (*3)
	66 (RHD)	J11	B	48 (LHD)		59 (*7)
C14	46 (LHD)	J12	A	48 (LHD)	S1	39 (*3)
	66 (RHD)			68 (RHD)		59 (*7)
E9	47 (LHD)	J13	B	48 (LHD)	S13	49 (LHD)
	67 (RHD)			68 (RHD)		69 (RHD)
E10	47 (LHD)	J14	A	48 (LHD)	T1	39 (*3)
	67 (RHD)	J19		68 (RHD)		59 (*7)
E11	47 (LHD)	J20	C	68 (RHD)		
	67 (RHD)	J26	C	68 (RHD)		

○ : Relay Blocks

Code	See Page	Relay Blocks (Relay Block Location)
1	24 (*1)	Engine Room R/B No.1 (Engine Compartment Left)
4	27	Engine Room R/B No.4 (Left Side of the Suspension Tower)
6	29	Fuse Block (Lower Finish Panel)

* 1 : Gasoline * 2 : 1CD–FTV * 3 : LHD 1AZ–FSE * 4 : LHD 1AZ–FE * 5 : LHD 1ZZ–FE, 3ZZ–FE * 6 : LHD 1CD–FTV
 * 7 : RHD 1AZ–FSE * 8 : RHD 1AZ–FE * 9 : RHD 1ZZ–FE, 3ZZ–FE * 10 : RHD 1CD–FTV

Cruise Control (1AZ-FSE)

: Junction Block and Wire Harness Connector

Code	See Page	Junction Block and Wire Harness (Connector Location)
1A	24 (*1)	Engine Room Main Wire and Engine Room J/B No.1 (Engine Compartment Left)
4A	27	Engine Room Main Wire and Engine Room J/B No.4 (Left Side of the Suspension Tower)
4B		
CA	34	Instrument Panel Wire and Center J/B (Instrument Panel Reinforcement RH)
CD		
CE		
CK		
DA	30	Instrument Panel Wire and Driver Side J/B (Left Side of the Instrument Panel)
DB		
DC		
DM	31	Floor Wire and Driver Side J/B (Left Side of the Instrument Panel)

: Connector Joining Wire Harness and Wire Harness

Code	See Page	Joining Wire Harness and Wire Harness (Connector Location)
IC1	86 (LHD)	Instrument Panel Wire and Floor Wire (Left Kick Panel)
	106 (RHD)	
IC2	86 (LHD)	
	106 (RHD)	
IE1	86 (LHD)	Engine Room Main Wire and Instrument Panel Wire (Behind the Combination Meter)
	106 (RHD)	Engine Room Main Wire and Instrument Panel Wire (Behind the Glove Box)
IE2	86 (LHD)	Engine Room Main Wire and Instrument Panel Wire (Behind the Combination Meter)
	106 (RHD)	Engine Room Main Wire and Instrument Panel Wire (Behind the Glove Box)
IE3	86 (LHD)	Engine Room Main Wire and Instrument Panel Wire (Behind the Combination Meter)
IE4		
IE8		
IG2	88 (LHD)	Instrument Panel Wire and Switch Wire (Instrument Panel Brace LH)
IO1	108 (RHD)	Engine Room Main Wire and Instrument Panel Wire (Left Side of the Instrument Panel)
IP1	108 (RHD)	Engine Room Main Wire and Instrument Panel Wire (Instrument Panel Reinforcement LH)
IR1	108 (RHD)	Instrument Panel Wire and Cowl Wire (Right Side of the Instrument Panel)

: Ground Points

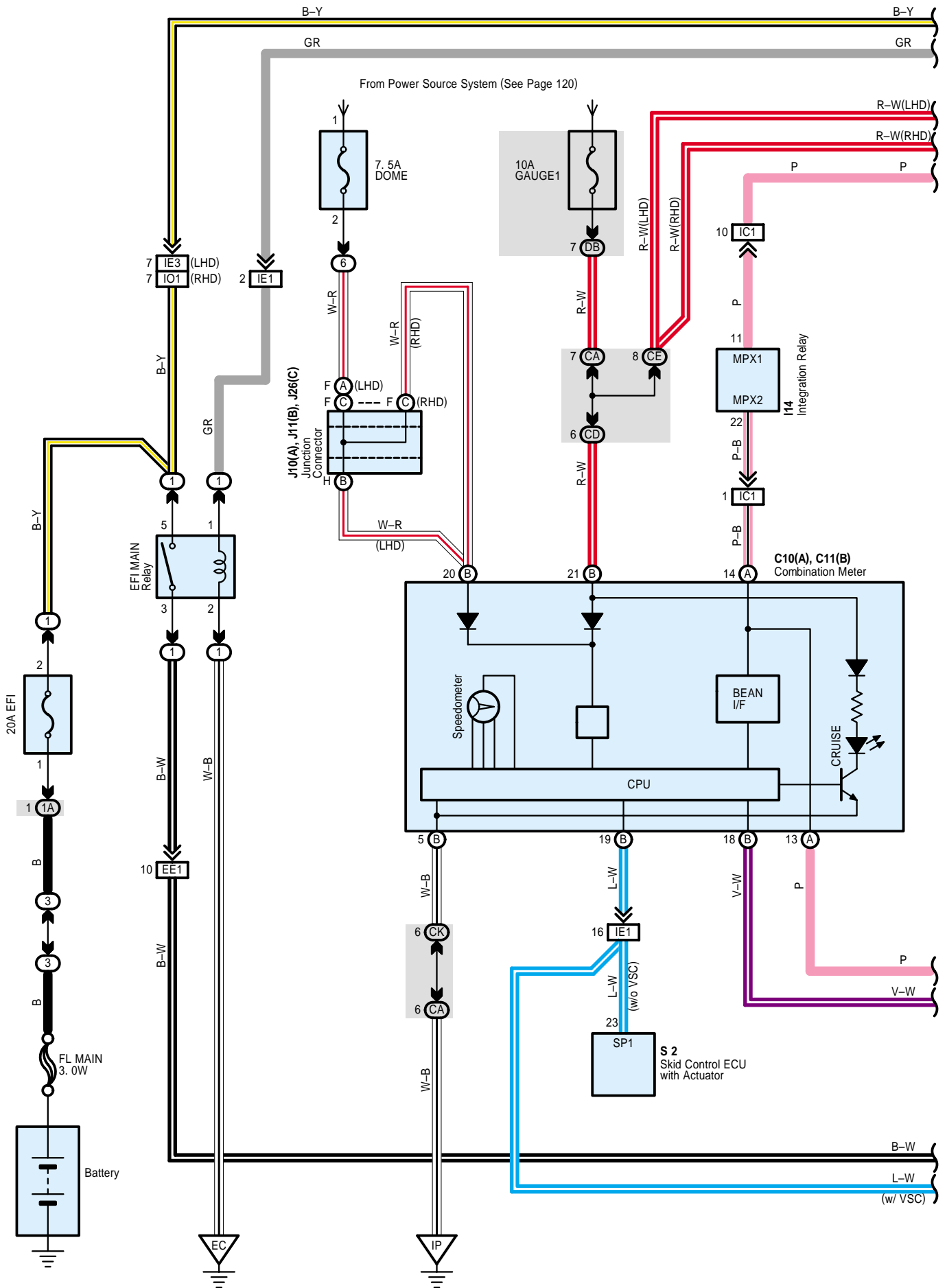
Code	See Page	Ground Points Location
EC	78 (*3)	Engine Compartment Left
	98 (*7)	
	104 (*10)	
EE	78 (*3)	Intake Side of Cylinder Block
	98 (*7)	
EF	78 (*3)	Left Side of the Cylinder Head
	98 (*7)	
IP	86 (LHD)	Right Kick Panel
	106 (RHD)	

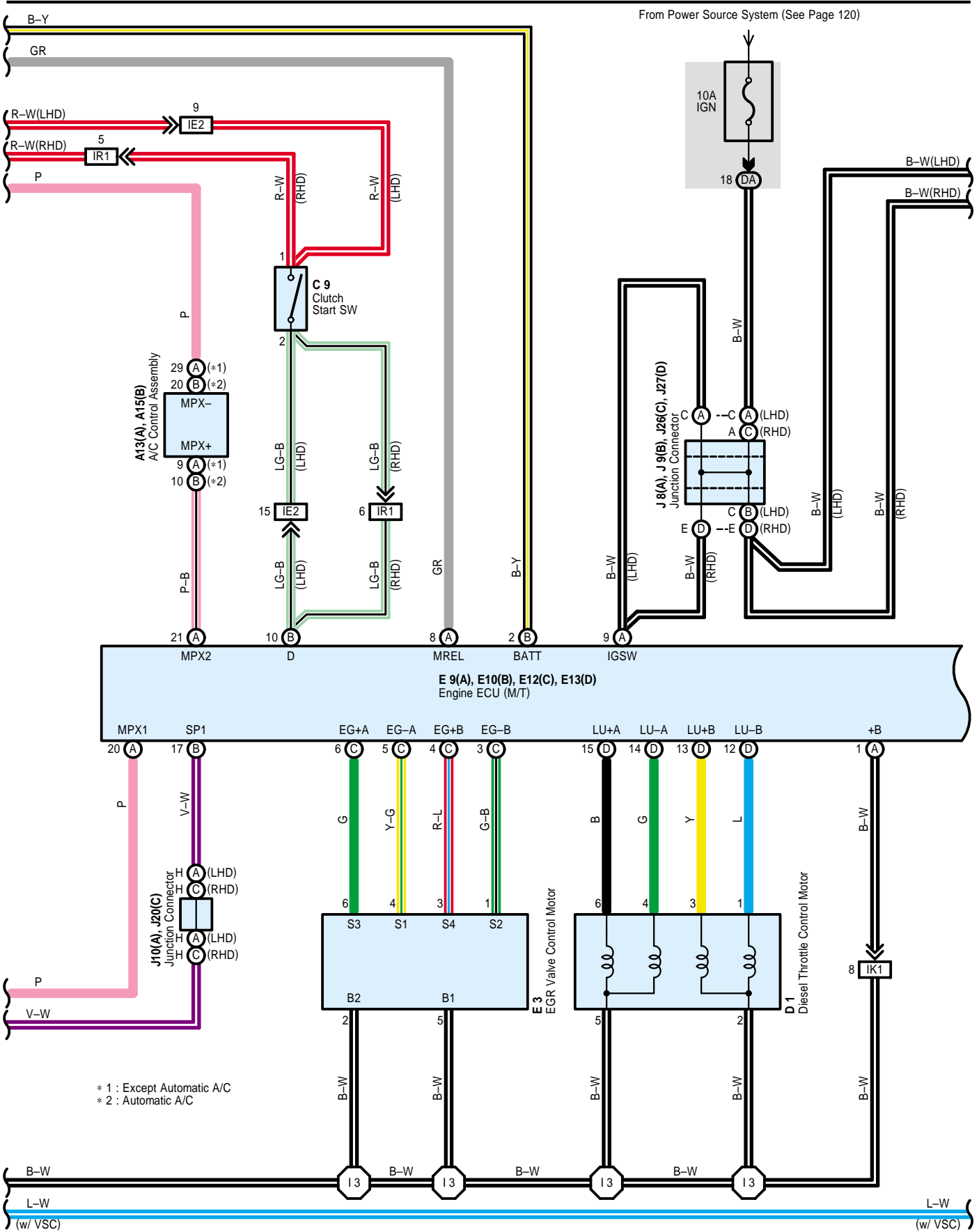
: Splice Points

Code	See Page	Wire Harness with Splice Points	Code	See Page	Wire Harness with Splice Points
E3	78 (*3)	Engine Wire	I3	108 (RHD)	Engine Wire

* 1 : Gasoline * 2 : 1CD-FTV * 3 : LHD 1AZ-FSE * 4 : LHD 1AZ-FE * 5 : LHD 1ZZ-FE, 3ZZ-FE * 6 : LHD 1CD-FTV
 * 7 : RHD 1AZ-FSE * 8 : RHD 1AZ-FE * 9 : RHD 1ZZ-FE, 3ZZ-FE * 10 : RHD 1CD-FTV

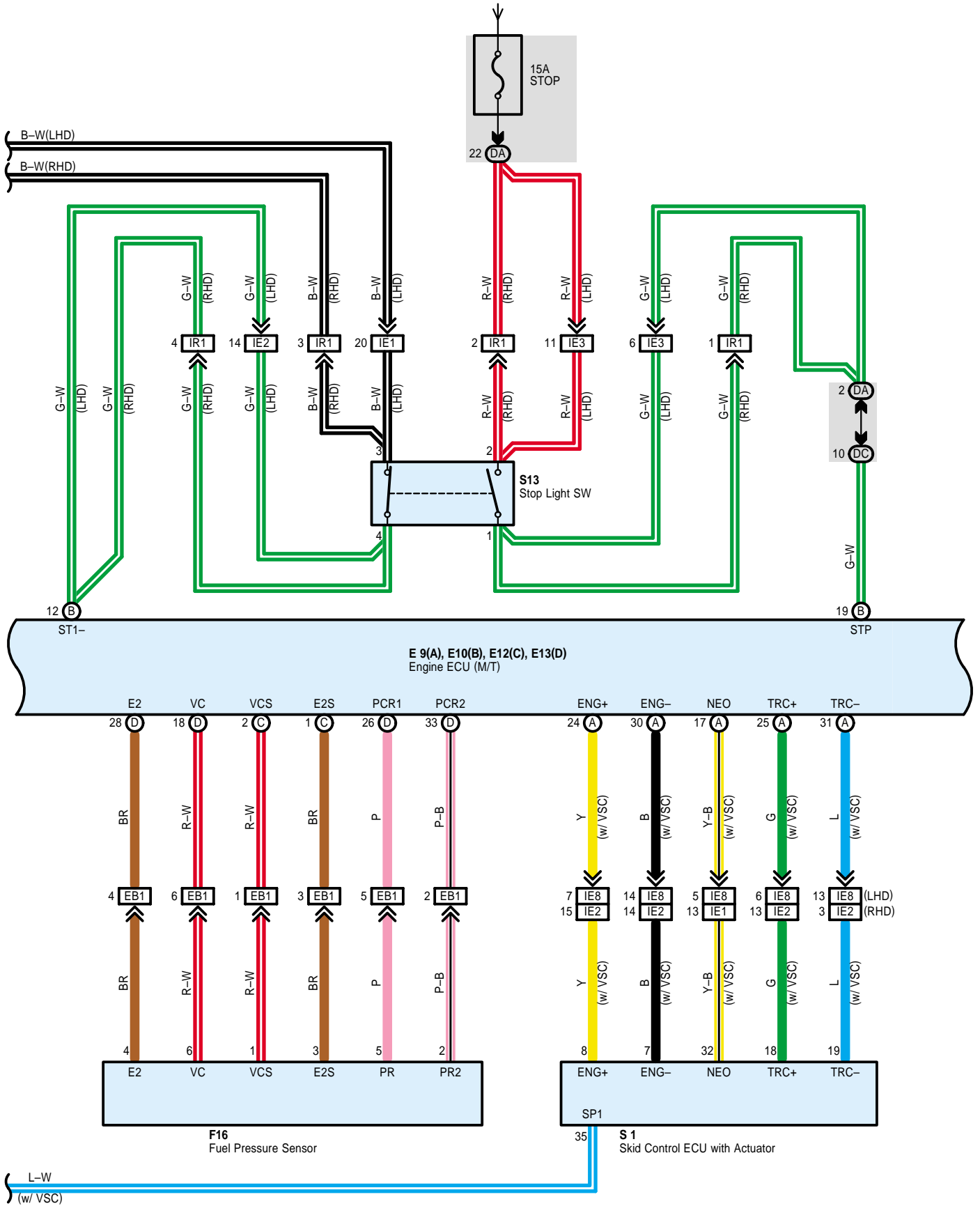
Cruise Control (1CD-FTV)





Cruise Control (1CD-FTV)

From Power Source System (See Page 120)



Cruise Control (1CD-FTV)

System Outline

The cruise control system is a fixed speed driving control function that, when you want to drive your car on a highway at a fixed speed, controls the fuel injection simply by manually operating the cruise control SW without stamping on the accelerator pedal.

1. Set Operation

When the cruise control main SW is turned on, the system starts preparations necessary for the cruiser control and turns on the CRUISE indicator light in the combination meter.

2. Set Speed Control

When the SET/COAST SW is operated with the cruise control main SW turned on during travelling, the constant vehicle speed is controlled.

3. Coast Control

When the SET/COAST SW is kept on during cruise control driving, this system reduces the requested cruise control opening to 0 to decelerate the car (However, the throttle valve is not fully closed by the ISC, etc.), and stores the car speed at the time the SW is turned off, and provides fixed speed control.

4. Accel Control

When the RESUME/ACCEL SW is kept on during cruise control driving, this system performs fixed acceleration control in the direction the fuel injection increases, and stores the car speed at the time the SW is turned off, and provides fixed speed control.

5. Resume Control

If the driving speed is still above the lower speed limit after cruise control by signals is canceled with the stop light SW on, the clutch SW off, the CANCEL SW of the cruise control SW on, and the VSC activated (w/ VSC), fixed acceleration control is performed by setting the RESUME/ACCEL SW from off to on to reset the car speed to the speed stored at the time of cancellation.

6. Tap-Up Control Function

This function increases the stored car speed by approximately 1.5 km/h each time the RESUME/ACCEL SW is instantaneously (For approximately 0.5 seconds) turned on.

However, if the difference between the stored and actual car speeds is 5 km/h or more, the stored car speed cannot be changed by this operation.

7. Tap-Down Control Function

This function reduces the stored car speed by approximately 1.5 km/h each time the SET/COAST SW is instantaneously (For approximately 0.5 seconds) turned on.

However, if the difference between the stored and actual car speeds is 5 km/h or more, the car speed at the time the SW is turned off is stored for fixed speed control by tap-down operation.

8. Manual Cancel Mechanism

If any of the following signals is input during cruise control travelling, the cruise control is cancelled.

- * The stop light SW is turned on.
- * The clutch SW is turned off.
- * The CANCEL SW is turned on.
- * The cruise control main SW is turned off.
- * The VSC is activated (w/ VSC).

9. Auto Cancel Function

A) If either of the following problems occurs, the stored speed will be cleared, and control will be canceled.

In this case, the CRUISE indicator will remain flickering until the main SW is turned off, and control will stay disabled until the main SW is turned on.

- * The stop light SW is disconnected or shorted.
- * The vehicle speed signal is faulty.
- * The fuel injection unit is malfunctioning.

B) If any of the following problems occurs, the stored speed will be cleared, and control will be canceled.

In this case, the CRUISE indicator will remain flickering until the main SW is turned off, and control will stay disabled until the ignition SW is turned off.

- * The stop light SW input circuit is malfunctioning.
- * The cancel circuit is malfunctioning.

C) If any of the following conditions occurs during cruise control operation, the set speed is erased and the cruise control is released.

- * When the vehicle speed falls below the minimum speed limit (Approx. 40 km/h 25 mph).
- * The driving speed is more than 16 km/h below the stored car speed.

Service Hints

E9 (A), E10 (B), E12 (C), E13 (D) Engine ECU (M/T)

- (A) 9–Ground : Approx. 12 volts with the ignition SW at ON position
 (A) 1, (B) 2–Ground : Always approx. 12 volts
 (A) 15, (C) 7, (D) 6, (D) 7–Ground : Always continuity
 (B) 19–Ground : Approx. 12 volts with the stop light SW at on
 (B) 24–Ground : Continuity with the cruise control main SW at on
 Approx. 1540 Ω with the CANCEL SW on in cruise control SW
 Approx. 240 Ω with the RES/ACC SW on in cruise control SW
 Approx. 630 Ω with the SET/COAST SW on in cruise control SW

C14 Combination SW

- 2–3 : Approx. 1540 Ω with the CANCEL SW on
 Approx. 240 Ω with the RES/ACC SW on
 Approx. 630 Ω with the SET/COAST SW on

○ : Parts Location

Code	See Page	Code	See Page	Code	See Page		
A13	A	E3	64 (*10)	J12	A	46 (LHD)	48 (LHD)
						66 (RHD)	68 (RHD)
A15	B	E9	A	J13	B	46 (LHD)	48 (LHD)
						66 (RHD)	68 (RHD)
A20		E10	B	J20	C	46 (LHD)	68 (RHD)
						66 (RHD)	
C9		E12	C	J26	C	46 (LHD)	68 (RHD)
						66 (RHD)	
C10	A	E13	D	S1		46 (LHD)	45 (*6)
						66 (RHD)	65 (*10)
C11	B	F16		S2		46 (LHD)	45 (*6)
						66 (RHD)	65 (*10)
C14		I14		S13		46 (LHD)	49 (LHD)
						66 (RHD)	69 (RHD)
D1		J8	A	T3		44 (*6)	45 (*6)
		J9	B			64 (*10)	65 (*10)
E3		J10	A			48 (LHD)	
		J11	B			48 (LHD)	

○ : Relay Blocks

Code	See Page	Relay Blocks (Relay Block Location)
1	25 (*2)	Engine Room R/B No.1 (Engine Compartment Left)
3	26	Engine Room R/B No.3 (Left Side of the Suspension Tower)
6	29	Fuse Block (Lower Finish Panel)

○ : Junction Block and Wire Harness Connector

Code	See Page	Junction Block and Wire Harness (Connector Location)
1A	25 (*2)	Engine Wire and Engine Room J/B No.1 (Engine Compartment Left)
CA	34	Instrument Panel Wire and Center J/B (Instrument Panel Reinforcement RH)
CD		
CE		
CK		
DA	30	Instrument Panel Wire and Driver Side J/B (Left Side of the Instrument Panel)
DB		
DC		

* 1 : Gasoline * 2 : 1CD–FTV * 3 : LHD 1AZ–FSE * 4 : LHD 1AZ–FE * 5 : LHD 1ZZ–FE, 3ZZ–FE * 6 : LHD 1CD–FTV
 * 7 : RHD 1AZ–FSE * 8 : RHD 1AZ–FE * 9 : RHD 1ZZ–FE, 3ZZ–FE * 10 : RHD 1CD–FTV

Cruise Control (1CD-FTV)

: Connector Joining Wire Harness and Wire Harness

Code	See Page	Joining Wire Harness and Wire Harness (Connector Location)
EB1	84 (*6)	Engine Wire and Engine No.6 Wire (Near the Starter)
	104 (*10)	
EE1	84 (*6)	Engine Wire and Engine Room Main Wire (Engine Compartment Left)
	104 (*10)	
IC1	86 (LHD)	Instrument Panel Wire and Floor Wire (Left Kick Panel)
	106 (RHD)	
IE1	86 (LHD)	Engine Room Main Wire and Instrument Panel Wire (Behind the Combination Meter)
	106 (RHD)	Engine Room Main Wire and Instrument Panel Wire (Behind the Glove Box)
IE2	86 (LHD)	Engine Room Main Wire and Instrument Panel Wire (Behind the Combination Meter)
	106 (RHD)	Engine Room Main Wire and Instrument Panel Wire (Behind the Glove Box)
IE3	86 (LHD)	Engine Room Main Wire and Instrument Panel Wire (Behind the Combination Meter)
IE8		
IG2	88 (LHD)	Instrument Panel Wire and Switch Wire (Instrument Panel Brace LH)
IK1	88 (LHD)	Engine Wire and Instrument Panel Wire (Behind the Glove Box)
	108 (RHD)	
IO1	108 (RHD)	Engine Room Main Wire and Instrument Panel Wire (Left Side of the Instrument Panel)
IR1	108 (RHD)	Instrument Panel Wire and Cowl Wire (Right Side of the Instrument Panel)

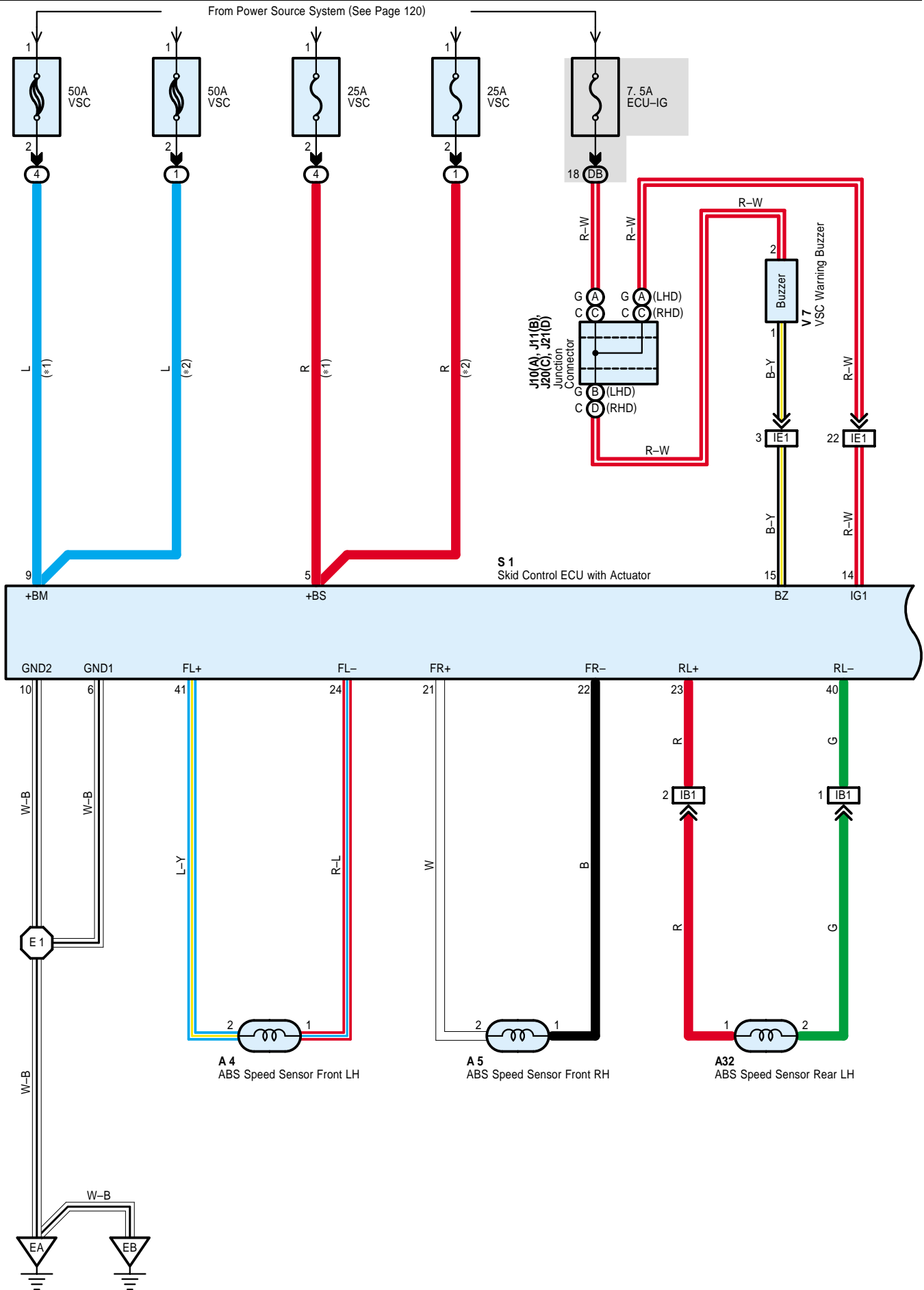
: Ground Points

Code	See Page	Ground Points Location
EC	84 (*6)	Engine Compartment Left
	104 (*10)	
EI	84 (*6)	Near the Starter
	104 (*10)	
IP	86 (LHD)	Right Kick Panel
	106 (RHD)	

: Splice Points

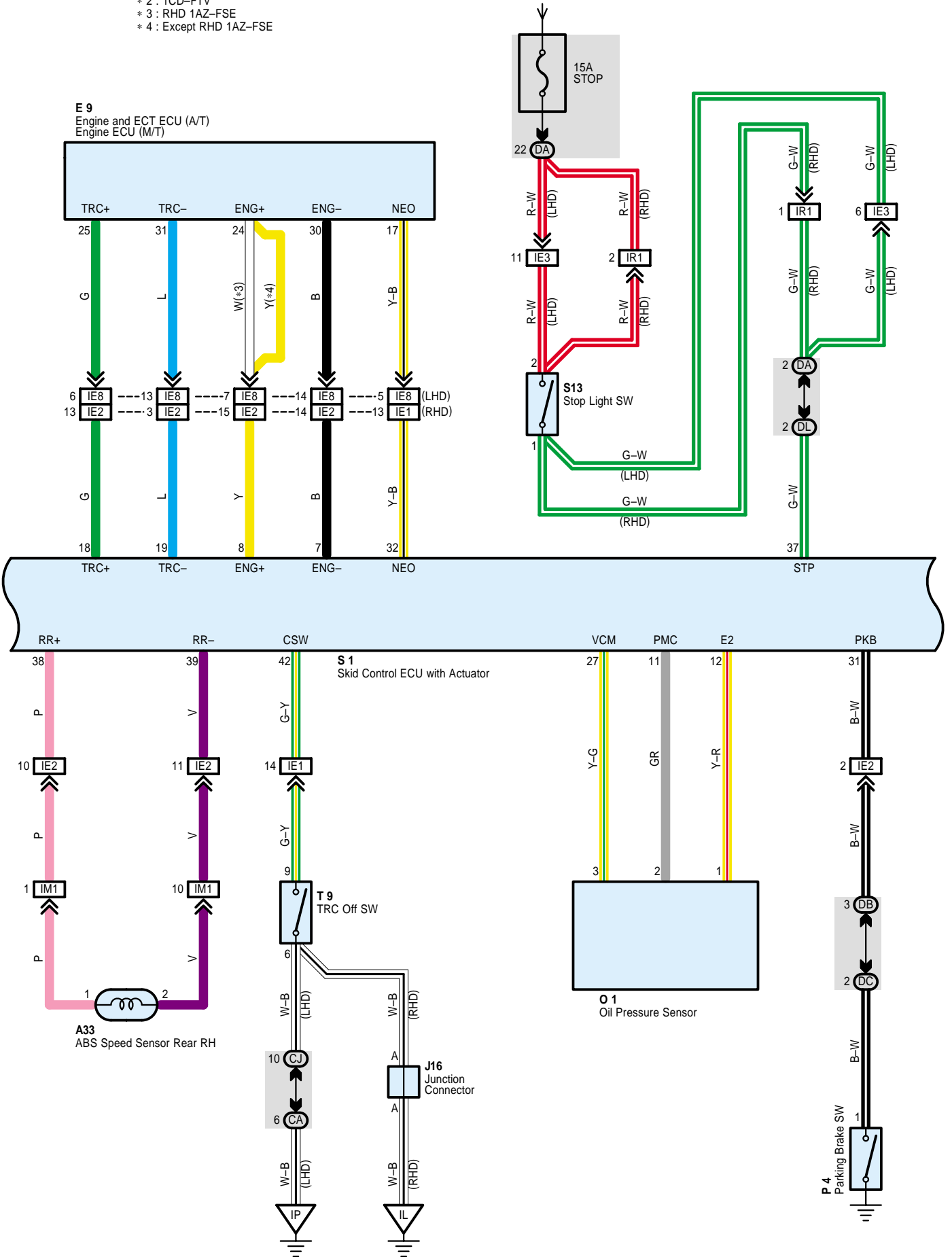
Code	See Page	Wire Harness with Splice Points	Code	See Page	Wire Harness with Splice Points
I3	88 (LHD)	Engine Wire	I3	108 (RHD)	Engine Wire

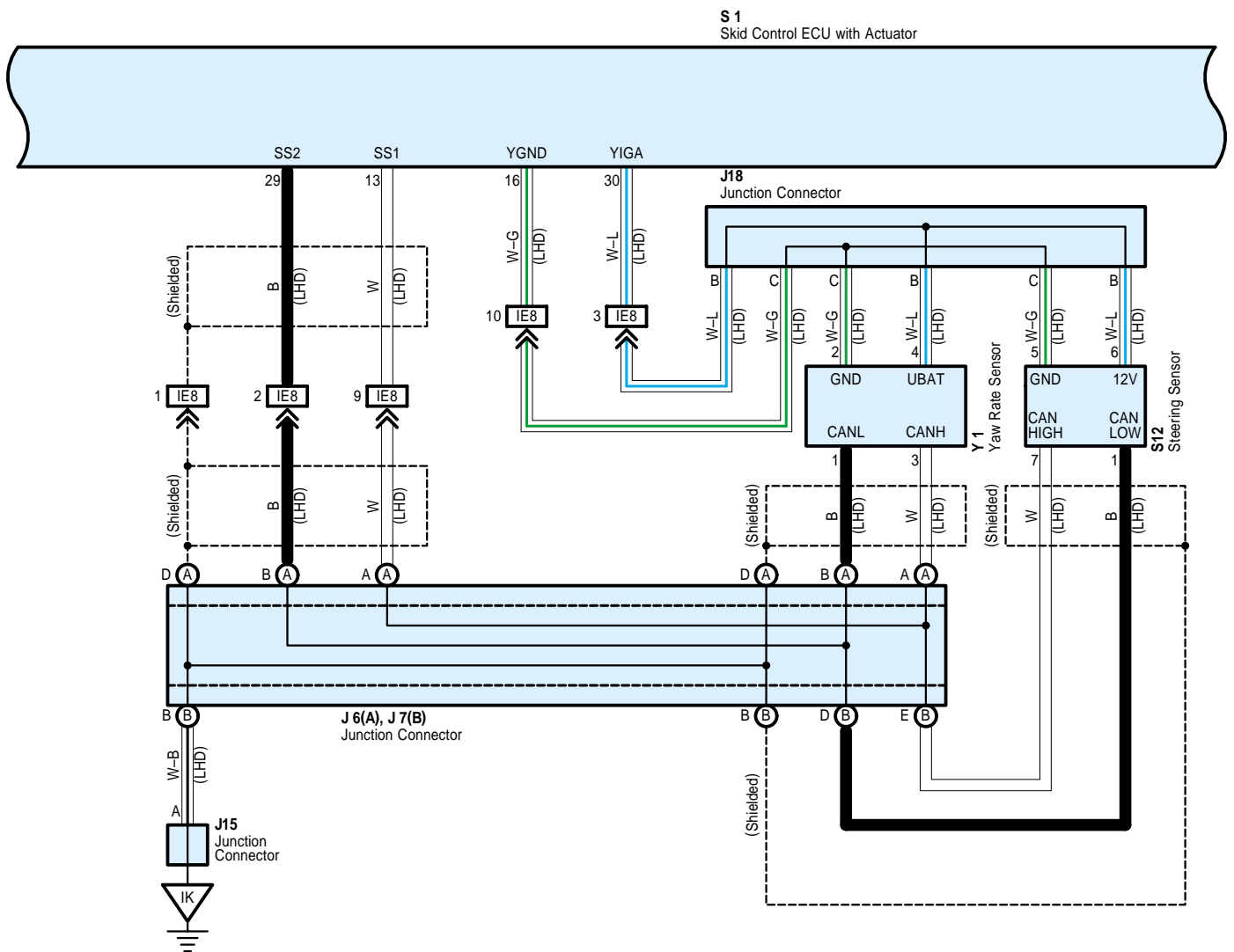
* 1 : Gasoline * 2 : 1CD-FTV * 3 : LHD 1AZ-FSE * 4 : LHD 1AZ-FE * 5 : LHD 1ZZ-FE, 3ZZ-FE * 6 : LHD 1CD-FTV
 * 7 : RHD 1AZ-FSE * 8 : RHD 1AZ-FE * 9 : RHD 1ZZ-FE, 3ZZ-FE * 10 : RHD 1CD-FTV

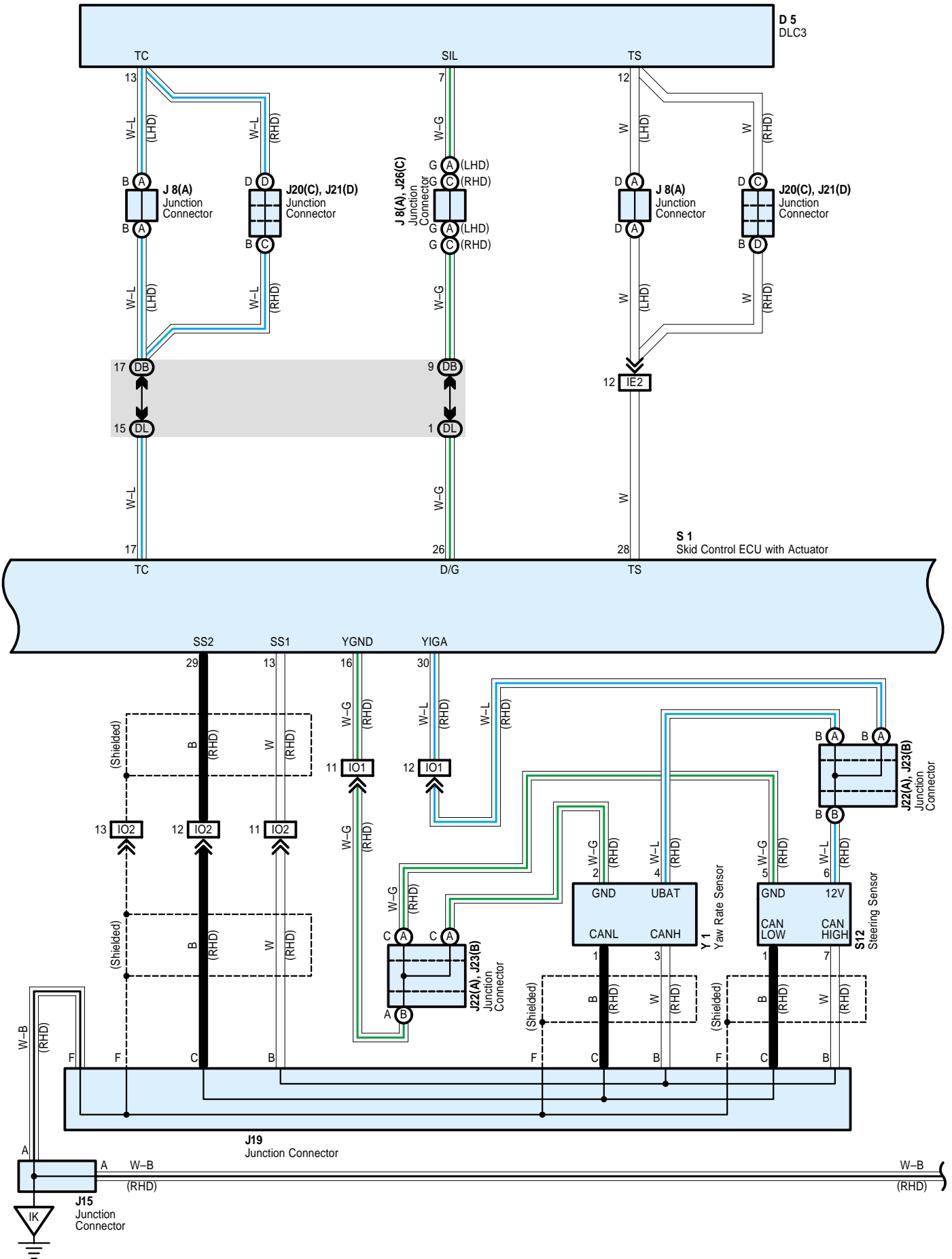


- * 1 : 1AZ-FSE
- * 2 : 1CD-FTV
- * 3 : RHD 1AZ-FSE
- * 4 : Except RHD 1AZ-FSE

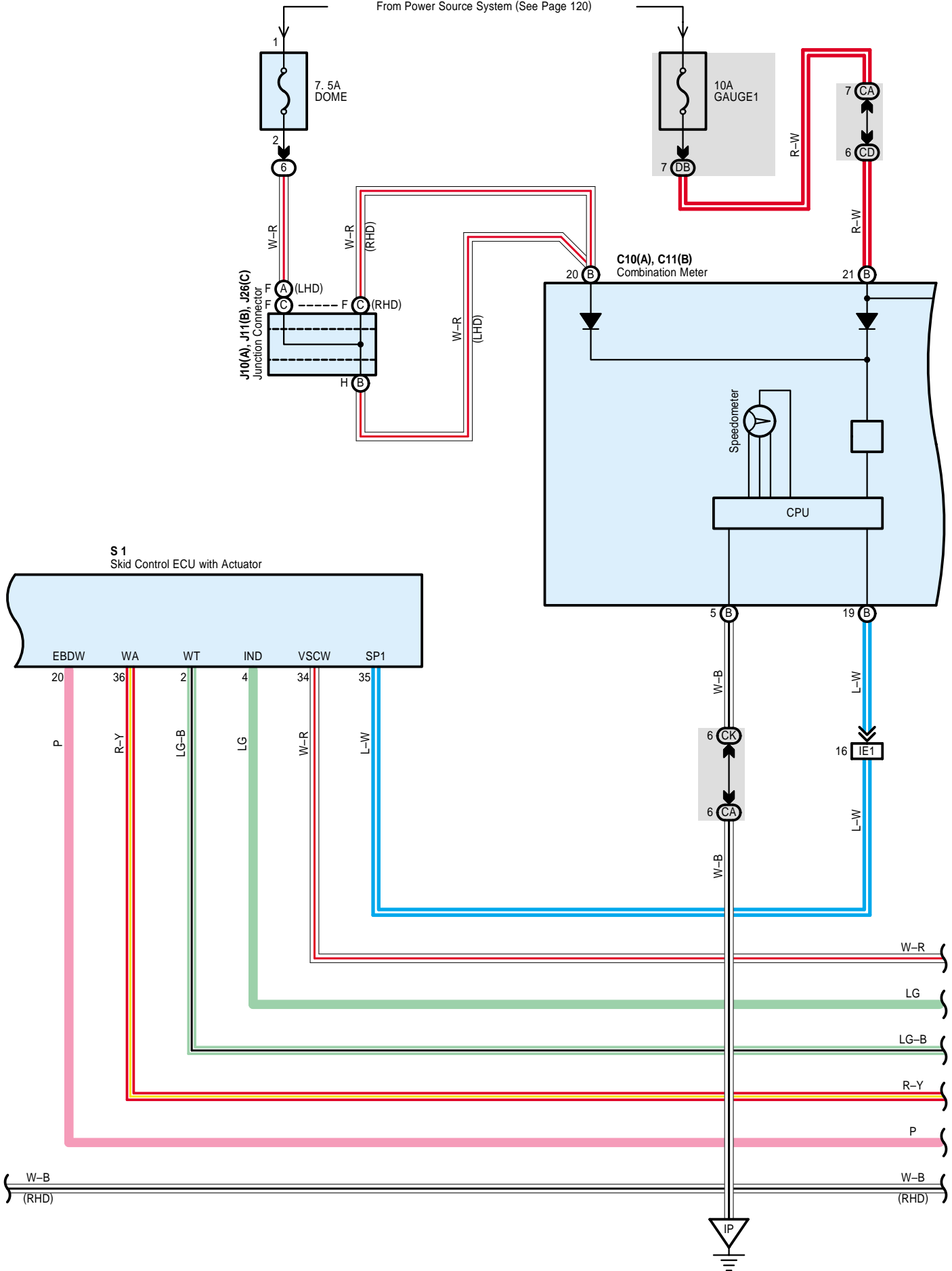
From Power Source System (See Page 120)

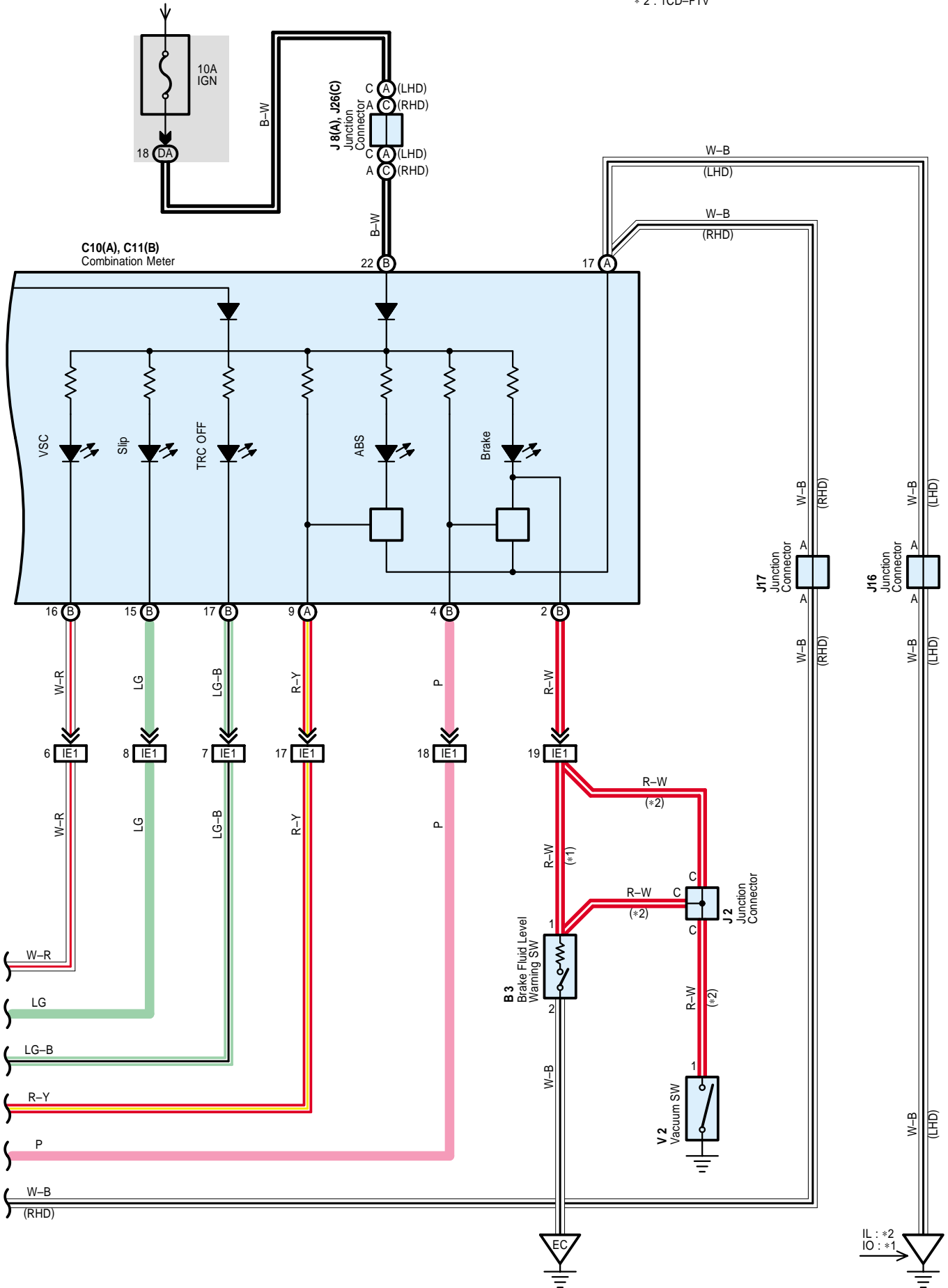






From Power Source System (See Page 120)





System Outline

1. ABS Operation

If the brake pedal is depressed suddenly, the ABS controls the hydraulic pressure of the wheel cylinders for all the four wheels to automatically avoid wheel locking and ensure the directional and steering stability of the vehicle. If the brake pedal is depressed suddenly, the skid control ECU with actuator controls the solenoids in the actuators using the signals from the sensors to move the brake fluid to the reservoir in order to release the braking pressure applied to the wheel cylinder. If the skid control ECU with actuator detects that the fluid pressure in the wheel cylinder is insufficient, the ECU controls the solenoids in the actuators to increase the braking pressure.

2. Traction Control Operation

The traction control system controls the engine torque, the hydraulic pressure of the driving wheel cylinders, slipping of the wheels which may occur at start or acceleration of the vehicle, to ensure an optimal driving power and vehicle stability corresponding to the road conditions.

3. VSC Operation

Unexpected road conditions, vehicle speed, emergency situation, and any other external factors may cause large under- or over-steering of the vehicle. If this occurs, the VSC system automatically controls the engine power and wheel brakes to reduce the under- or over-steering.

To reduce large over-steering :

If the VSC system determines that the over-steering is large, it activates the brakes for the outer turning wheels depending on the degree of the over-steering to produce the moment toward the outside of the vehicle and reduce the over-steering.

To reduce large under-steering :

If the VSC system determines that the under-steering is large, it controls the engine power and activates the rear wheel brakes to reduce the under-steering.

TRC off SW

The TRC off SW is used to stop the TRC function. After the engine is started, the TRC system is stopped (Turned off) and the TRC OFF indicator light lights up. When the TRC off SW is pressed again, the TRC system enters the stand-by mode. If the engine is stopped and restarted, the TRC system enters the stand-by mode regardless of the TRC off SW.

VSC indicator light

If an error occurs in the VSC system, the VSC indicator lights up to warn the driver.

4. Mutual System Control

To efficiently operate the VSC system at its optimal level, the VSC system and other control systems are mutually controlled while the VSC system is being operated.

Engine fuel injecting control

The engine power does not interfere with the VSC brake control by controlling the opening of the fuel injecting and reducing the engine output.

Engine control and electronically controlled transmission control

The strong engine braking force does not interfere with the braking force control of the VSC system by turning off the accel. and reducing changes in the driving torque at shift-down.

VSC system operation indication

The slip indicator light flashes and the buzzer sounds intermittently to warn the driver that the current road is slippery, while the VSC system is being operated.

5. Fail Safe Function

If an error occurs in the skid control ECU with actuator, sensor signals, and/or actuators, the skid control ECU with actuator inhibits the brake actuator control and inputs the error signal to the engine and ECT ECU (A/T) or engine ECU (M/T). According to the error signal, the brake actuator turns off the solenoid and the engine and ECT ECU (A/T) or engine ECU (M/T) rejects any electronically controlled fuel injection request from the VSC system. As a result, the vehicle functions without the ABS, TRC, and VSC systems.

Service Hints

S1 Skid Control ECU with Actuator

5, 9-Ground : Always approx. 12 volts

14-Ground : Approx. 12 volts with ignition SW at ON position

37-Ground : Approx. 12 volts with stop light SW on

6, 10-Ground : Always continuity

A4, A5 ABS Speed Sensor Front LH, RH

2-1 : Approx. 1.2-1.6 k Ω (20°C, 68°F)

A32, A33 ABS Speed Sensor Rear LH, RH

1-2 : Approx. 1.0-1.4 k Ω (20°C, 68°F)

○ : Parts Location

Code	See Page	Code	See Page	Code	See Page
A4	38 (*3)	C10	A	66 (RHD)	J26 C
	44 (*6)	C11	B	46 (LHD)	O1
	58 (*7)			66 (RHD)	
	64 (*10)	D5		47 (LHD)	
A5	38 (*3)	E9		67 (RHD)	
	44 (*6)	E9		47 (LHD)	
	58 (*7)	E9		67 (RHD)	
	64 (*10)	J2		45 (*6)	
A32	50 (LHD S/D)	J2		65 (*10)	S1
	52 (LHD L/B)	J6	A	48 (LHD)	
	54 (LHD W/G)	J7	B	48 (LHD)	
	70 (RHD S/D)	J8	A	48 (LHD)	
	72 (RHD L/B)	J10	A	48 (LHD)	S12
	74 (RHD W/G)	J11	B	48 (LHD)	
A33	50 (LHD S/D)	J15		48 (LHD)	S13
	52 (LHD L/B)	J15		68 (RHD)	
	54 (LHD W/G)	J16		48 (LHD)	T9
	70 (RHD S/D)	J16		68 (RHD)	
	72 (RHD L/B)	J17		68 (RHD)	V2
	74 (RHD W/G)	J18		48 (LHD)	
B3	38 (*3)	J19		68 (RHD)	V7
	44 (*6)	J20	C	68 (RHD)	
	58 (*7)	J21	D	68 (RHD)	Y1
	64 (*10)	J22	A	68 (RHD)	
C10	A	J23	B	68 (RHD)	

○ : Relay Blocks

Code	See Page	Relay Blocks (Relay Block Location)
1	24 (*1)	Engine Room R/B No.1 (Engine Compartment Left)
	25 (*2)	
4	27	Engine Room R/B No.4 (Left Side of the Suspension Tower)
6	29	Fuse Block (Lower Finish Panel)

○ : Junction Block and Wire Harness Connector

Code	See Page	Junction Block and Wire Harness (Connector Location)
CA	34	Instrument Panel Wire and Center J/B (Instrument Panel Reinforcement RH)
CD		
CJ		
CK	35	Instrument Panel Wire and Driver Side J/B (Left Side of the Instrument Panel)
DA		
DB	30	Instrument Panel Wire and Driver Side J/B (Left Side of the Instrument Panel)
DC		
DL	31	Engine Room Main Wire and Driver Side J/B (Left Side of the Instrument Panel)

* 1 : Gasoline * 2 : 1CD-FTV * 3 : LHD 1AZ-FSE * 4 : LHD 1AZ-FE * 5 : LHD 1ZZ-FE, 3ZZ-FE * 6 : LHD 1CD-FTV
 * 7 : RHD 1AZ-FSE * 8 : RHD 1AZ-FE * 9 : RHD 1ZZ-FE, 3ZZ-FE * 10 : RHD 1CD-FTV

 : Connector Joining Wire Harness and Wire Harness

Code	See Page	Joining Wire Harness and Wire Harness (Connector Location)
IB1	86 (LHD)	Engine Room Main Wire and Floor Wire (Near the Driver Side J/B)
	106 (RHD)	
IE1	86 (LHD)	Engine Room Main Wire and Instrument Panel Wire (Behind the Combination Meter)
	106 (RHD)	Engine Room Main Wire and Instrument Panel Wire (Behind the Glove Box)
IE2	86 (LHD)	Engine Room Main Wire and Instrument Panel Wire (Behind the Combination Meter)
	106 (RHD)	Engine Room Main Wire and Instrument Panel Wire (Behind the Glove Box)
IE3	86 (LHD)	Engine Room Main Wire and Instrument Panel Wire (Behind the Combination Meter)
IE8		
IM1	88 (LHD)	Instrument Panel Wire and Floor No.2 Wire (Right Kick Panel)
	108 (RHD)	
IO1	108 (RHD)	Engine Room Main Wire and Instrument Panel Wire (Left Side of the Instrument Panel)
IO2		
IR1	108 (RHD)	Instrument Panel Wire and Cowl Wire (Right Side of the Instrument Panel)

 : Ground Points

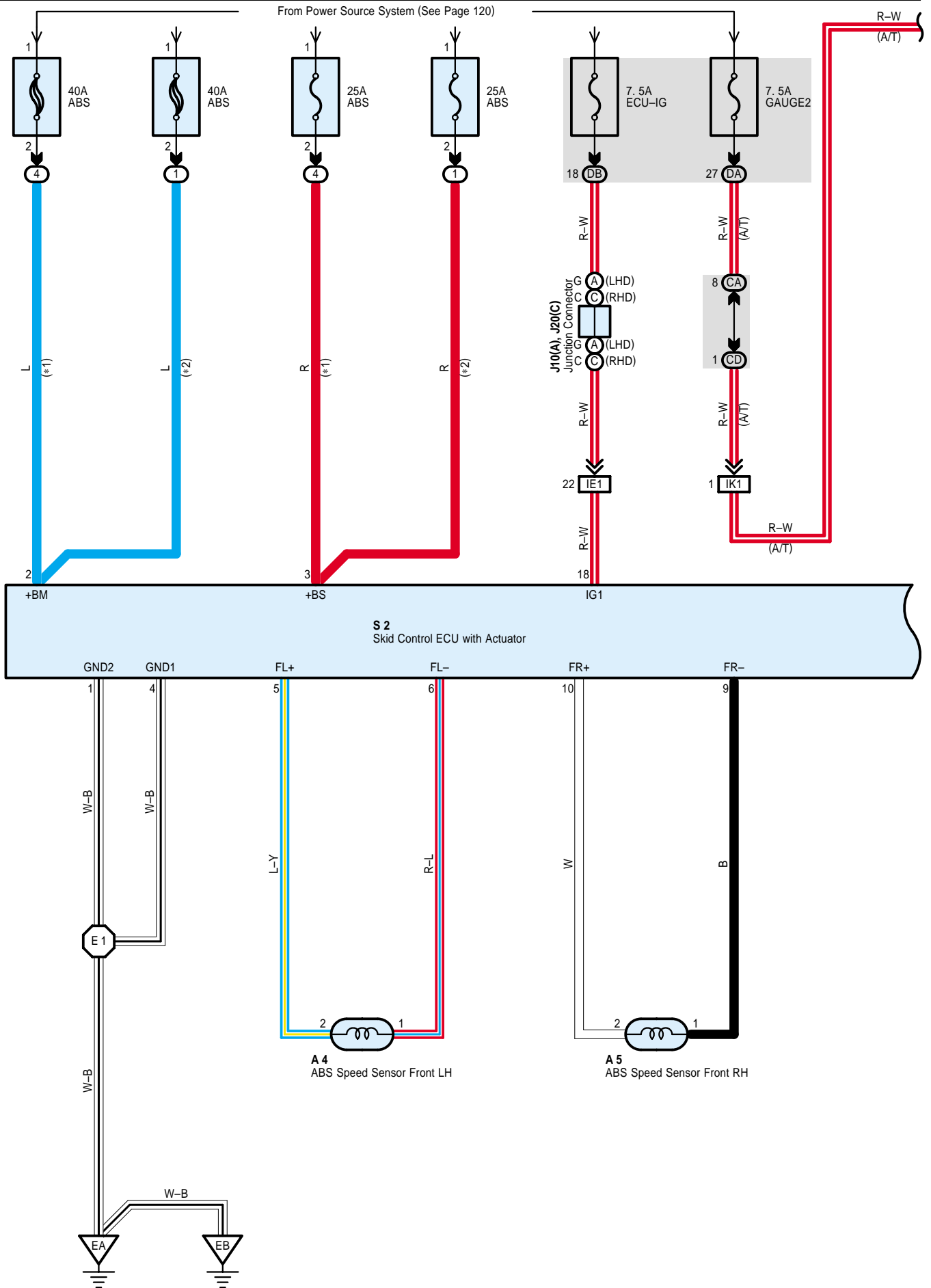
Code	See Page	Ground Points Location
EA	78 (*3)	Engine Compartment Right
	84 (*6)	
	98 (*7)	
	104 (*10)	
EB	78 (*3)	
	84 (*6)	
	98 (*7)	
	104 (*10)	
EC	78 (*3)	Engine Compartment Left
	84 (*6)	
	98 (*7)	
	104 (*10)	
IK	86 (LHD)	Behind the Combination Meter
	106 (RHD)	
IL	86 (LHD)	Behind the Combination Meter
	106 (RHD)	
IO	86 (LHD)	Instrument Panel Reinforcement RH
IP	86 (LHD)	Right Kick Panel
	106 (RHD)	

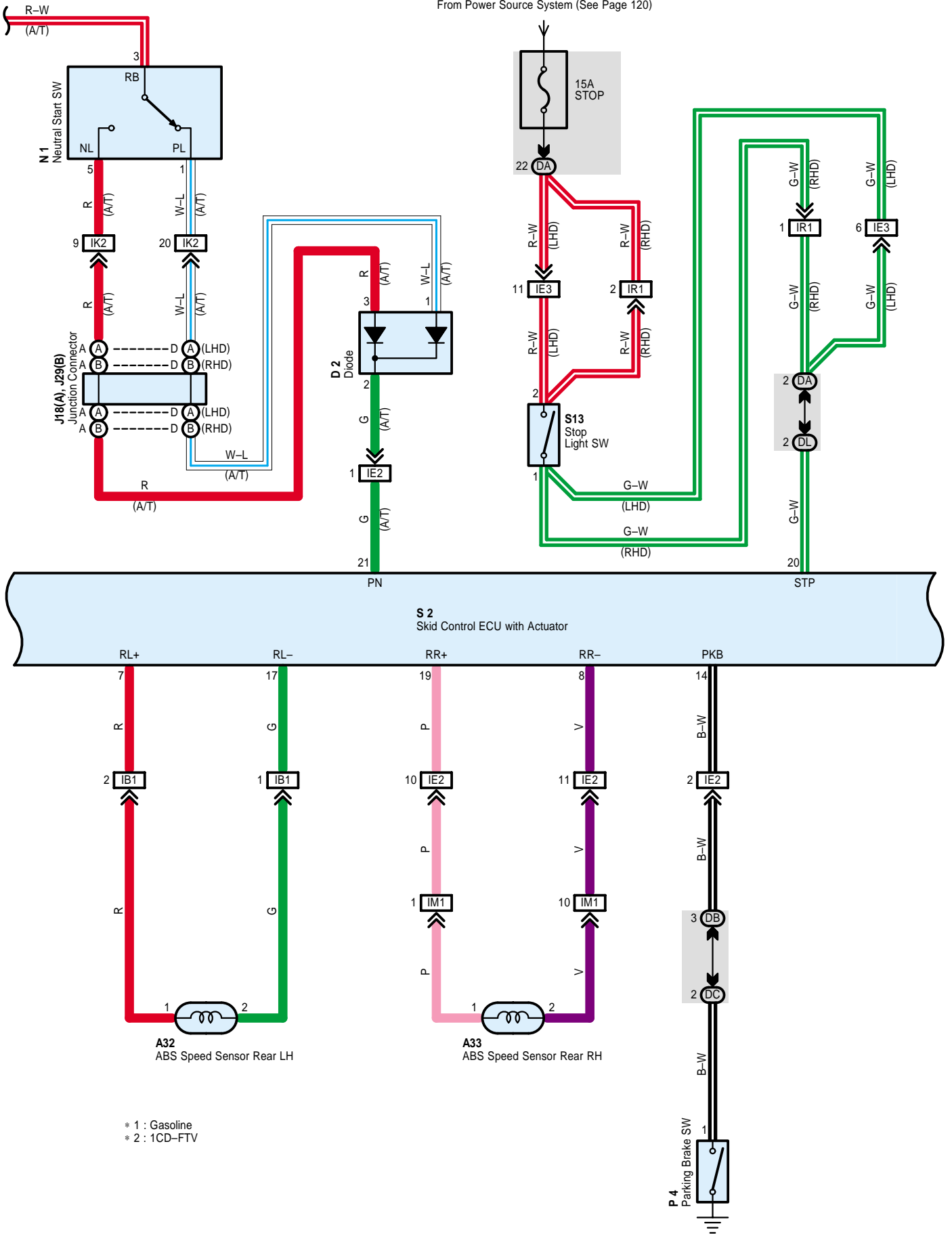
 : Splice Points

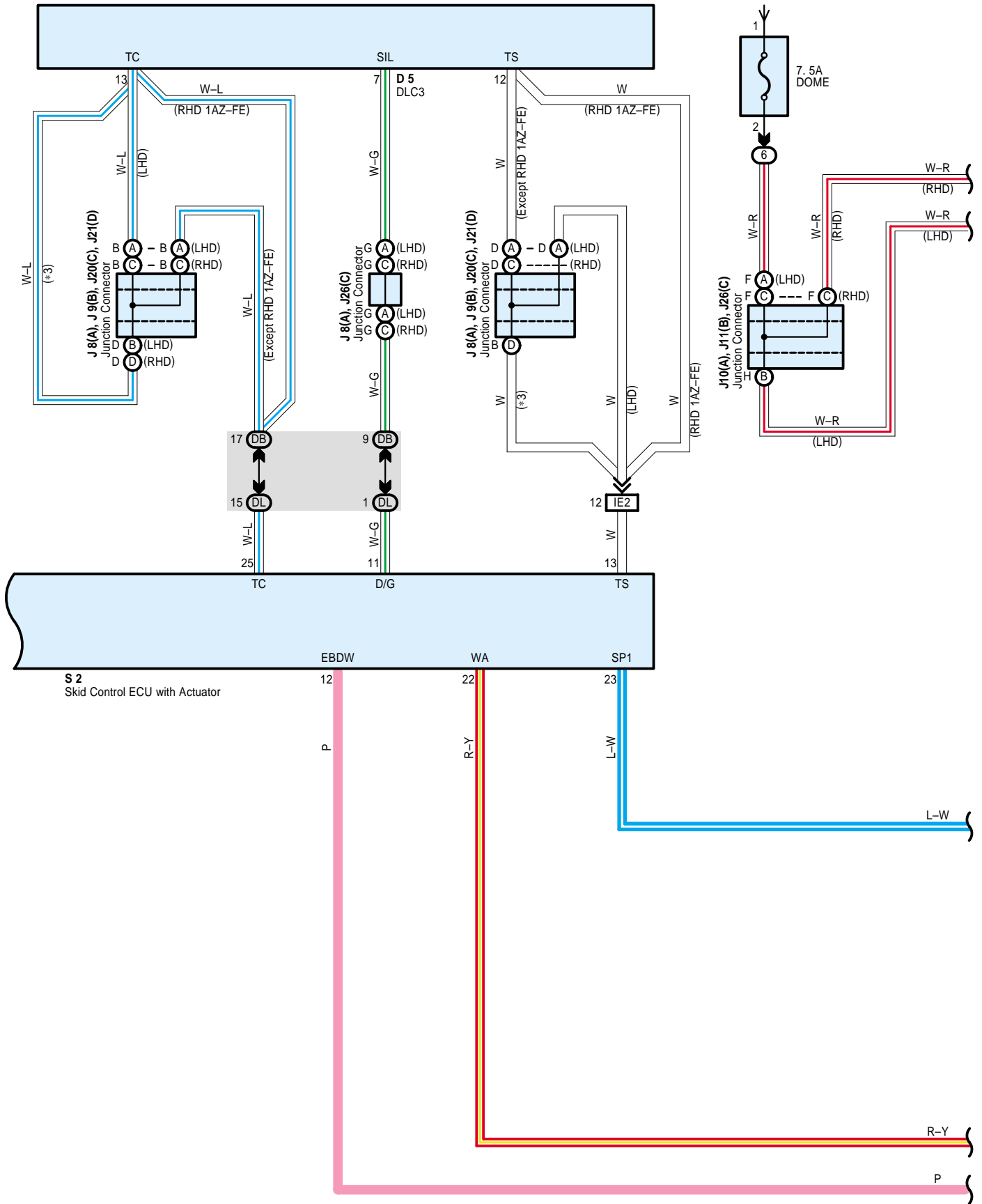
Code	See Page	Wire Harness with Splice Points	Code	See Page	Wire Harness with Splice Points
E1	78 (*3)	Engine Room Main Wire	E1	98 (*7)	Engine Room Main Wire
	84 (*6)			104 (*10)	

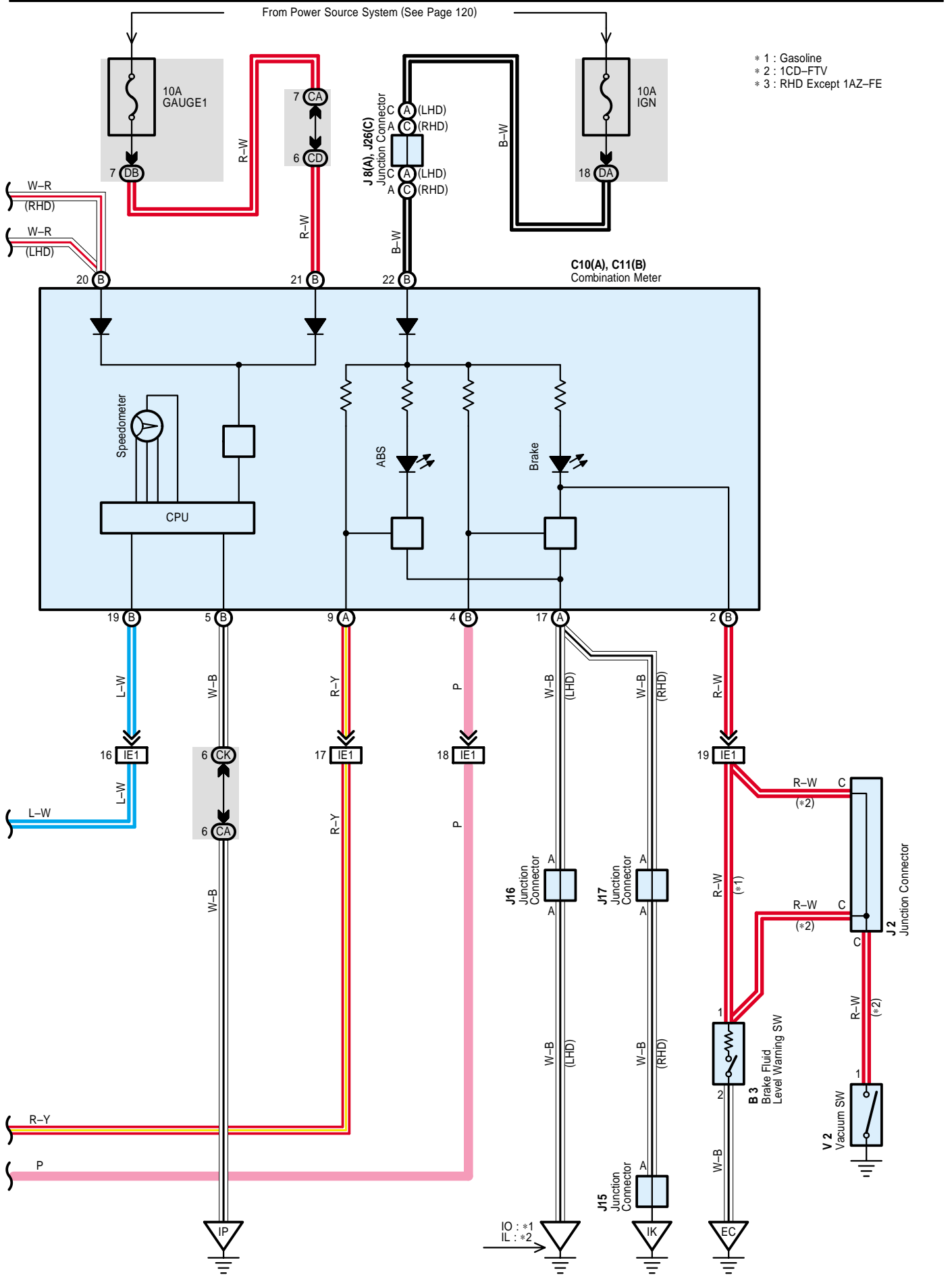
* 1 : Gasoline * 2 : 1CD-FTV * 3 : LHD 1AZ-FSE * 4 : LHD 1AZ-FE * 5 : LHD 1ZZ-FE, 3ZZ-FE * 6 : LHD 1CD-FTV
 * 7 : RHD 1AZ-FSE * 8 : RHD 1AZ-FE * 9 : RHD 1ZZ-FE, 3ZZ-FE * 10 : RHD 1CD-FTV

ABS









- * 1 : Gasoline
- * 2 : 1CD-FTV
- * 3 : RHD Except 1AZ-FE

System Outline

* ABS system

This system controls the respective brake fluid pressures acting on the disc brake cylinders of the right front wheel, left front wheel and rear wheels when the brakes are applied in a panic stop so that the wheels do not lock. This results in improved directional stability and steerability during panic braking.

* Front and rear braking force distribution system

Using the hydraulic controlling device, this system distributes the braking force to the front and rear wheel in appropriately according to the running condition of the vehicle.

1. Input Signals

(1) Speed sensor signal

The speed of the wheels is detected and input to TERMINALS FL+, FR+, RL+ and RR+ of the skid control ECU with actuator.

(2) Stop light SW signal

A signal is input to TERMINAL STP of the skid control ECU with actuator when the brake pedal is depressed.

2. System Operation

During sudden braking the skid control ECU with actuator has signals input from each sensor, which controls the current to the solenoid inside the actuator and lets the hydraulic pressure acting on each wheel cylinder escape to the reservoir. The pump inside the actuator is also operating at this time and it returns the brake fluid from the reservoir to the master cylinder, thus preventing locking of the vehicle wheels.

If the skid control ECU with actuator judges that the hydraulic pressure acting on the wheel cylinder is insufficient, the current on the solenoid is controlled and the hydraulic pressure is increased. Holding of the hydraulic pressure is also controlled by the skid control ECU with actuator, by the same method as above. Pressure reduction, holding and increase are repeated to maintain vehicle stability and to improve steerability during sudden braking.

Service Hints

A4, A5 ABS Speed Sensor Front LH, RH

2-1 : 1.4 –1.8 k Ω (20°C, 68°F)

A32, A33 ABS Speed Sensor Rear LH, RH

1-2 : 1.0 –1.4 k Ω (20°C, 68°F)

S2 Skid Control ECU with Actuator

2, 3-Ground : Always approx. 12 volts

18-Ground : Approx. 12 volts with the ignition SW at ON position

20-Ground : Approx. 12 volts with the brake pedal depressed

1, 4-Ground : Always continuity

○ : Parts Location

Code	See Page	Code	See Page	Code	See Page		
A4	40 (*4)	A33	74 (RHD W/G)	J17		68 (RHD)	
	42 (*5)			J18	A	48 (LHD)	
	44 (*6)			J20	C	68 (RHD)	
	60 (*8)			J21	D	68 (RHD)	
	62 (*9)			J26	C	68 (RHD)	
	64 (*10)			J29	B	68 (RHD)	
A5	40 (*4)	B3	64 (*10)	N1		41 (*4)	
	42 (*5)			C10	A	46 (LHD)	43 (*5)
	44 (*6)					66 (RHD)	61 (*8)
	60 (*8)			C11	B	46 (LHD)	63 (*9)
	62 (*9)					66 (RHD)	49 (LHD)
	64 (*10)			D2		47 (LHD)	P4
A32	50 (LHD S/D)	D5	67 (RHD)	S2		41 (*4)	
	52 (LHD L/B)			47 (LHD)	43 (*5)		
	54 (LHD W/G)			67 (RHD)	45 (*6)		
	70 (RHD S/D)			J2	45 (*6)	61 (*8)	
	72 (RHD L/B)				65 (*10)	63 (*9)	
	74 (RHD W/G)			J8	A	48 (LHD)	65 (*10)
A33	50 (LHD S/D)	J9	B	48 (LHD)	S13	49 (LHD)	
	52 (LHD L/B)	J10	A	48 (LHD)		69 (RHD)	
	54 (LHD W/G)	J11	B	48 (LHD)	V2	45 (*6)	
	70 (RHD S/D)	J15		68 (RHD)		65 (*10)	
	72 (RHD L/B)	J16		48 (LHD)			

○ : Relay Blocks

Code	See Page	Relay Blocks (Relay Block Location)
1	24 (*1)	Engine Room R/B No.1 (Engine Compartment Left)
	25 (*2)	
4	27	Engine Room R/B No.4 (Left Side of the Suspension Tower)
6	29	Fuse Block (Lower Finish Panel)

○ : Junction Block and Wire Harness Connector

Code	See Page	Junction Block and Wire Harness (Connector Location)
CA	34	Instrument Panel Wire and Center J/B (Instrument Panel Reinforcement RH)
CD		
CK	35	
DA	30	Instrument Panel Wire and Driver Side J/B (Left Side of the Instrument Panel)
DB		
DC		
DL	31	Engine Room Main Wire and Driver Side J/B (Left Side of the Instrument Panel)

* 1 : Gasoline * 2 : 1CD-FTV * 3 : LHD 1AZ-FSE * 4 : LHD 1AZ-FE * 5 : LHD 1ZZ-FE, 3ZZ-FE * 6 : LHD 1CD-FTV
 * 7 : RHD 1AZ-FSE * 8 : RHD 1AZ-FE * 9 : RHD 1ZZ-FE, 3ZZ-FE * 10 : RHD 1CD-FTV

 : Connector Joining Wire Harness and Wire Harness

Code	See Page	Joining Wire Harness and Wire Harness (Connector Location)	
IB1	86 (LHD)	Engine Room Main Wire and Floor Wire (Near the Driver Side J/B)	
	106 (RHD)		
IE1	86 (LHD)	Engine Room Main Wire and Instrument Panel Wire (Behind the Combination Meter)	
	106 (RHD)	Engine Room Main Wire and Instrument Panel Wire (Behind the Glove Box)	
IE2	86 (LHD)	Engine Room Main Wire and Instrument Panel Wire (Behind the Combination Meter)	
	106 (RHD)	Engine Room Main Wire and Instrument Panel Wire (Behind the Glove Box)	
IE3	86 (LHD)	Engine Room Main Wire and Instrument Panel Wire (Behind the Combination Meter)	
IK1	88 (LHD)	Engine Wire and Instrument Panel Wire (Behind the Glove Box)	
	108 (RHD)		
IK2	88 (LHD)		
	108 (RHD)		
IM1	88 (LHD)		Instrument Panel Wire and Floor No.2 Wire (Right Kick Panel)
	108 (RHD)		
IR1	108 (RHD)	Instrument Panel Wire and Cowl Wire (Right Side of the Instrument Panel)	

 : Ground Points

Code	See Page	Ground Points Location
EA	80 (*4)	Engine Compartment Right
	82 (*5)	
	84 (*6)	
	100 (*8)	
	102 (*9)	
	104 (*10)	
EB	80 (*4)	
	82 (*5)	
	84 (*6)	
	100 (*8)	
	102 (*9)	
	104 (*10)	
EC	80 (*4)	Engine Compartment Left
	82 (*5)	
	84 (*6)	
	100 (*8)	
	102 (*9)	
	104 (*10)	
IK	106 (RHD)	Behind the Combination Meter
IL	86 (LHD)	
IO	86 (LHD)	Instrument Panel Reinforcement RH
IP	86 (LHD)	Right Kick Panel
	106 (RHD)	

 : Splice Points

Code	See Page	Wire Harness with Splice Points	Code	See Page	Wire Harness with Splice Points
E1	80 (*4)	Engine Room Main Wire	E1	100 (*8)	Engine Room Main Wire
	82 (*5)			102 (*9)	
	84 (*6)			104 (*10)	

* 1 : Gasoline * 2 : 1CD-FTV * 3 : LHD 1AZ-FSE * 4 : LHD 1AZ-FE * 5 : LHD 1ZZ-FE, 3ZZ-FE * 6 : LHD 1CD-FTV
 * 7 : RHD 1AZ-FSE * 8 : RHD 1AZ-FE * 9 : RHD 1ZZ-FE, 3ZZ-FE * 10 : RHD 1CD-FTV

NOTICE: When inspecting or repairing the SRS, perform the operation in accordance with the following precautionary instructions and the procedure and precautions in the Repair Manual for the applicable model year.

- Malfunction symptoms of the SRS are difficult to confirm, so the DTCs become the most important source of information when troubleshooting. When troubleshooting the SRS, always inspect the DTCs before disconnecting the battery.
- **Work must be started after 90 seconds from when the ignition switch is turned to the "LOCK" position and the negative (-) terminal cable is disconnected from the battery.**
(The SRS is equipped with a back-up power source so that if work is started within 90 seconds from disconnecting the negative (-) terminal cable of the battery, the SRS may be deployed.)
- When the negative (-) terminal cable is disconnected from the battery, the memory of the clock and audio system will be canceled. So before starting work, make a record of the contents memorized in the audio memory system. When work is finished, reset the audio systems as they were before and adjust the clock. To avoid erasing the memory in each memory system, never use a back-up power supply from outside the vehicle.
- Before repairs, remove the airbag sensor if shocks are likely to be applied to the sensor during repairs.
- Do not expose the steering wheel pad, front passenger airbag assembly, seat belt pretensioner, airbag sensor assembly, front airbag sensor assembly, knee airbag assembly, curtain shield airbag assembly, curtain shield airbag sensor assembly, side airbag assembly or side airbag sensor assembly directly to hot air or flames.
- Even in cases of a minor collision where the SRS does not deploy, the steering wheel pad, front passenger airbag assembly, seat belt pretensioner, airbag sensor assembly, front airbag sensor assembly, knee airbag assembly, curtain shield airbag assembly, curtain shield airbag sensor assembly, side airbag assembly and side airbag sensor assembly should be inspected.
- Never use SRS parts from another vehicle. When replacing parts, replace them with new parts.
- Never disassemble and repair the steering wheel pad, front passenger airbag assembly, seat belt pretensioner, airbag sensor assembly, front airbag sensor assembly, knee airbag assembly, curtain shield airbag assembly, curtain shield airbag sensor assembly, side airbag assembly or side airbag sensor assembly in order to reuse it.
- If the steering wheel pad, front passenger airbag assembly, seat belt pretensioner, airbag sensor assembly, front airbag sensor assembly, knee airbag assembly, curtain shield airbag assembly, curtain shield airbag sensor assembly, side airbag assembly or side airbag sensor assembly has been dropped, or if there are cracks, dents or other defects in the case, bracket or connector, replace them with new ones.
- Use a volt/ohmmeter with high impedance (10 k Ω /V minimum) for troubleshooting the system's electrical circuits.
- Information labels are attached to the periphery of the SRS components. Follow the instructions on the notices.
- After work on the SRS is completed, perform the SRS warning light check.
- If the vehicle is equipped with a mobile communication system, refer to the precaution in the IN section of the Repair Manual.

System Outline

The SRS is a driver and passenger protection device which has a supplemental role to the seat belts.

When the ignition SW is turned to ON, the current from the IGN fuse flows to TERMINAL (B) 5 of the airbag sensor assembly.

If an accident occurs while driving, when the frontal impact exceeds a set level, the current from the IGN fuse flows to TERMINALS (B) 14, (B) 16, (B) 10, (B) 8, (C) 12, (A) 8 and (C) 9 of the airbag sensor assembly to the airbag squibs and the pretensioners to TERMINALS (B) 13, (B) 17, (B) 11, (B) 7, (C) 11, (A) 7 and (C) 10 of the airbag sensor assembly to TERMINAL (B) 27, (B) 28 or BODY GROUND to GROUND, so that current flows to the airbag squibs and the pretensioners and causes them to operate.

When the side impact also exceeds a set level, the current from the IGN fuse flows to TERMINALS (A) 12, (C) 5, (A) 9 and (C) 8 of the airbag sensor assembly to the side airbag squibs and the curtain shield airbag squibs TERMINALS (A) 10, (C) 7, (A) 11 and (C) 6 of the airbag sensor assembly to TERMINAL (B) 27, (B) 28 or BODY GROUND to GROUND, causing side airbag squibs and curtain shield airbag squibs to operate.

The airbag stored inside the steering wheel pad is instantaneously expanded to soften the shock to the driver.

The airbag stored inside the passenger's instrument panel is instantaneously expanded to soften the shock to the front passenger.

Side airbags are instantaneously expanded to soften the shock of side to the driver and front passenger.

The curtain shield airbag can ease an impact on the head of the front and rear passengers and reduce risks of injury.

In a head-on crash, the driver moves forward and may strike his/her lower limbs against the instrument panel, the key cylinder, etc. The knee airbag is equipped to protect the lower limbs of the driver in head-on crashes.

The pretensioners make sure of the seat belt restrainability.

○ : Parts Location

Code		See Page	Code		See Page	Code		See Page		
A9		38 (*3)	C15		72 (RHD L/B)	P16		53 (LHD L/B)		
		40 (*4)			74 (RHD W/G)			55 (LHD W/G)		
		42 (*5)	C16		50 (LHD S/D)			71 (RHD S/D)		
		44 (*6)			52 (LHD L/B)			73 (RHD L/B)		
		58 (*7)			54 (LHD W/G)			75 (RHD W/G)		
		60 (*8)			70 (RHD S/D)		P17		51 (LHD S/D)	
		62 (*9)			72 (RHD L/B)				53 (LHD L/B)	
		64 (*10)			74 (RHD W/G)				55 (LHD W/G)	
A10		38 (*3)	C17		50 (LHD S/D)			71 (RHD S/D)		
		40 (*4)			52 (LHD L/B)			73 (RHD L/B)		
		42 (*5)			54 (LHD W/G)			75 (RHD W/G)		
		44 (*6)			70 (RHD S/D)	S14	A		51 (LHD S/D)	
		58 (*7)		72 (RHD L/B)				53 (LHD L/B)		
		60 (*8)		74 (RHD W/G)				55 (LHD W/G)		
		62 (*9)	C18		50 (LHD S/D)				71 (RHD S/D)	
		64 (*10)			52 (LHD L/B)			73 (RHD L/B)		
A13	A	46 (LHD)			54 (LHD W/G)			75 (RHD W/G)		
		66 (RHD)			70 (RHD S/D)		B		51 (LHD S/D)	
A15	B	46 (LHD)		72 (RHD L/B)				53 (LHD L/B)		
		66 (RHD)		74 (RHD W/G)		55 (LHD W/G)				
						71 (RHD S/D)				
A26	A	46 (LHD)	D5		47 (LHD)		73 (RHD L/B)			
		66 (RHD)			67 (RHD)		75 (RHD W/G)			
A27	B	46 (LHD)	E9	A	47 (LHD)	S15	A		51 (LHD S/D)	
		66 (RHD)			67 (RHD)				53 (LHD L/B)	
A28	C	46 (LHD)	E10	B	47 (LHD)				55 (LHD W/G)	
		66 (RHD)			67 (RHD)				71 (RHD S/D)	
A29		46 (LHD)	I14		47 (LHD)			73 (RHD L/B)		
		66 (RHD)					67 (RHD)		75 (RHD W/G)	
A30		46 (LHD)	J8	A	48 (LHD)		S15	B		51 (LHD S/D)
		66 (RHD)	J10	A	48 (LHD)					53 (LHD L/B)
B9		56 (LHD)	J11	B	48 (LHD)				55 (LHD W/G)	
		76 (RHD)						71 (RHD S/D)		
C10	A	46 (LHD)	J15		68 (RHD)			73 (RHD L/B)		
		66 (RHD)	J16		48 (LHD)			75 (RHD W/G)		
C11	B	46 (LHD)	J17		68 (RHD)	S18		56 (LHD)		
		66 (RHD)	J20	A	68 (RHD)			76 (RHD)		
C15		50 (LHD S/D)	J21	B	68 (RHD)			56 (LHD)		
		52 (LHD L/B)	J26	C	68 (RHD)			76 (RHD)		
		54 (LHD W/G)					56 (LHD)			
		70 (RHD S/D)					76 (RHD)			
			K3		48 (LHD)	S19		56 (LHD)		
					68 (RHD)			76 (RHD)		
			P16		51 (LHD S/D)					

○ : Relay Blocks

Code	See Page	Relay Blocks (Relay Block Location)
6	29	Fuse Block (Lower Finish Panel)

* 1 : Gasoline * 2 : 1CD-FTV * 3 : LHD 1AZ-FSE * 4 : LHD 1AZ-FE * 5 : LHD 1ZZ-FE, 3ZZ-FE * 6 : LHD 1CD-FTV
 * 7 : RHD 1AZ-FSE * 8 : RHD 1AZ-FE * 9 : RHD 1ZZ-FE, 3ZZ-FE * 10 : RHD 1CD-FTV

 : Junction Block and Wire Harness Connector

Code	See Page	Junction Block and Wire Harness (Connector Location)
CA	34	Instrument Panel Wire and Center J/B (Instrument Panel Reinforcement RH)
CD		
CK	35	
DA	30	Instrument Panel Wire and Driver Side J/B (Left Side of the Instrument Panel)
DB		
DD		

 : Connector Joining Wire Harness and Wire Harness

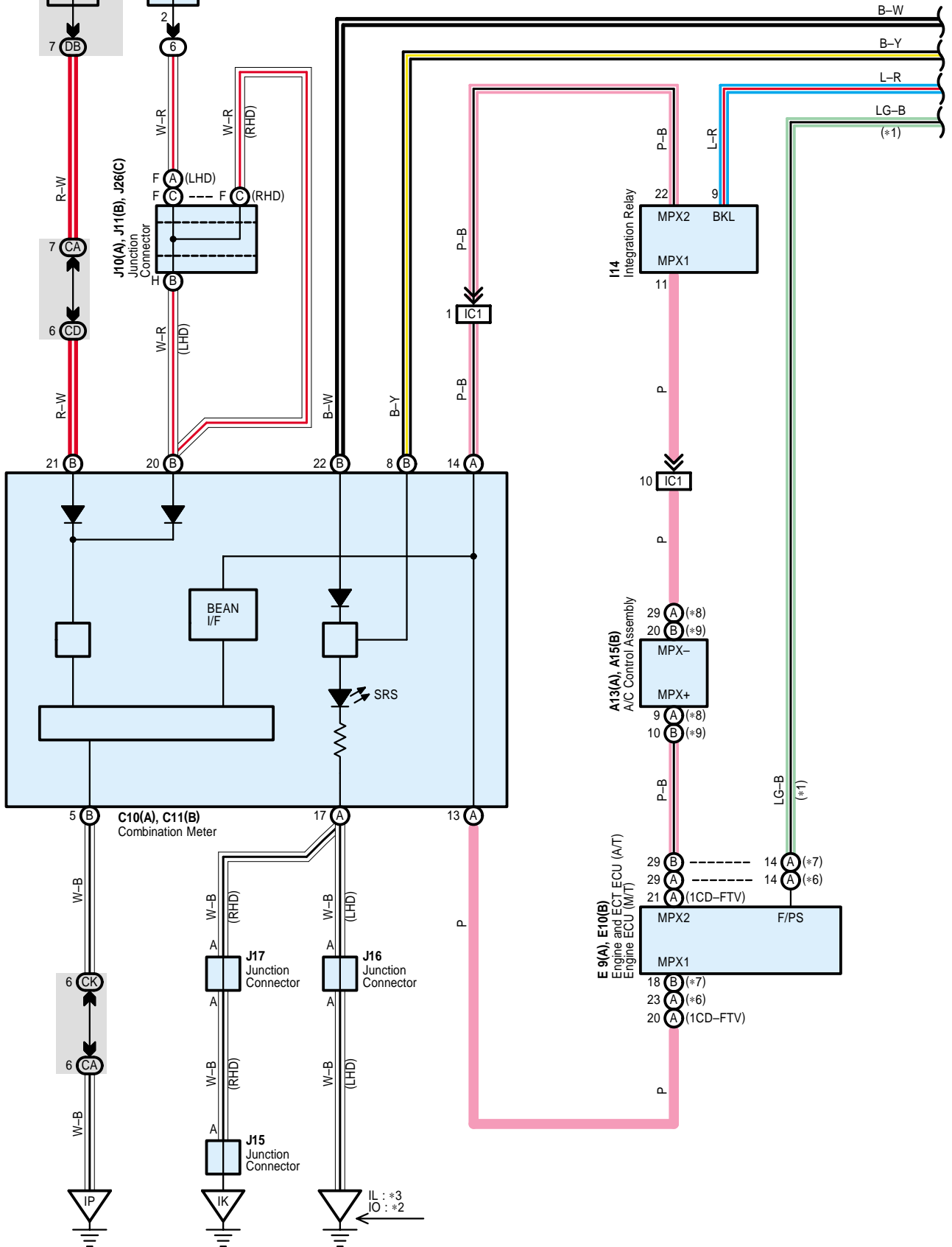
Code	See Page	Joining Wire Harness and Wire Harness (Connector Location)
IC1	86 (LHD)	Instrument Panel Wire and Floor Wire (Left Kick Panel)
	106 (RHD)	
IC2	86 (LHD)	
	106 (RHD)	
IE7	86 (LHD)	Engine Room Main Wire and Instrument Panel Wire (Behind the Combination Meter)
IN1	88 (LHD)	Floor No.2 Wire and Instrument Panel Wire (Right Kick Panel)
	108 (RHD)	
IO3	108 (RHD)	Engine Room Main Wire and Instrument Panel Wire (Left Side of the Instrument Panel)

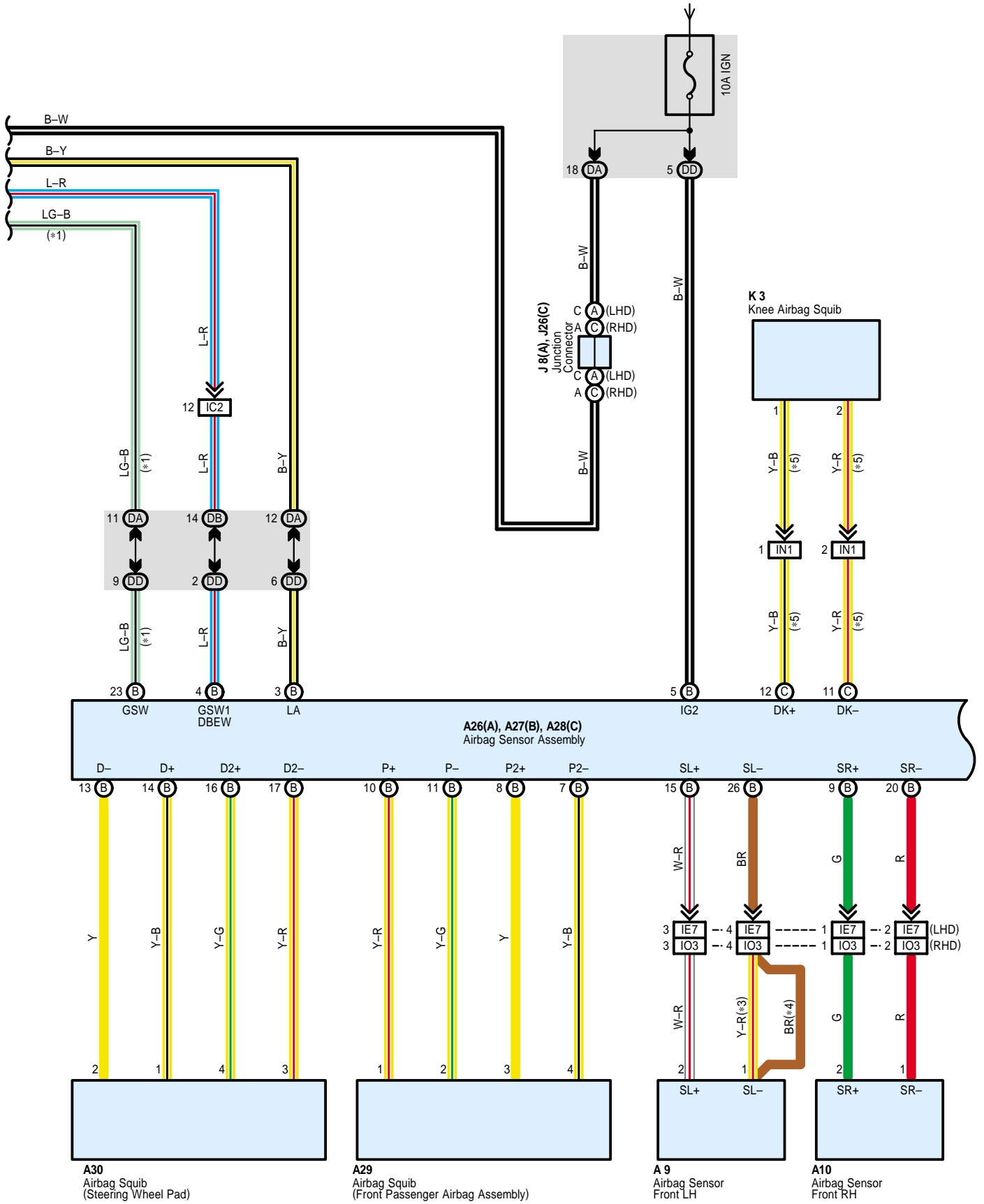
 : Ground Points

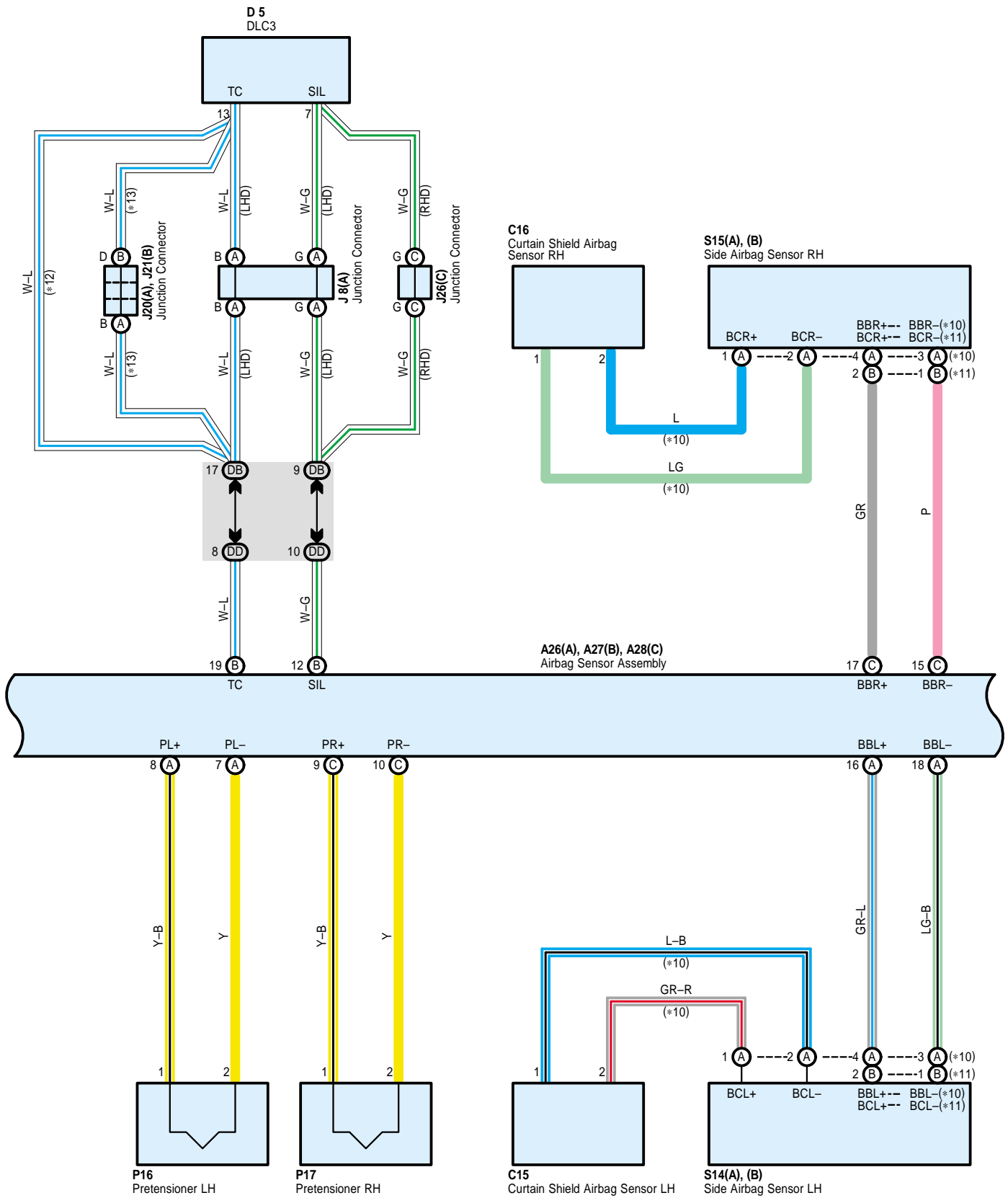
Code	See Page	Ground Points Location
IJ	86 (LHD)	Left Kick Panel
	106 (RHD)	
IK	106 (RHD)	Behind the Combination Meter
IL	86 (LHD)	
IO	86 (LHD)	Instrument Panel Reinforcement RH
IP	86 (LHD)	Right Kick Panel
	106 (RHD)	

From Power Source System (See Page 120)

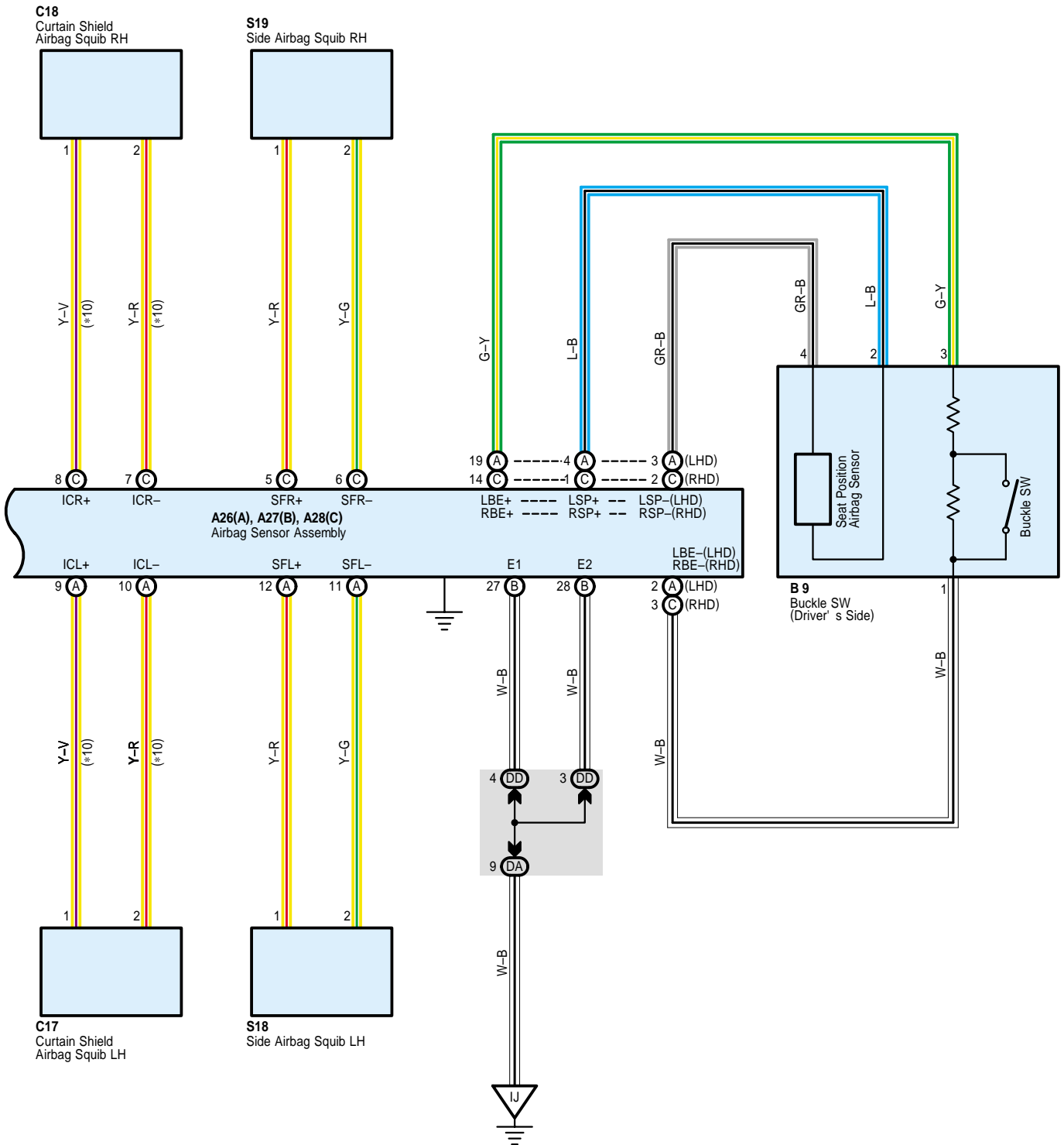
- * 1 : Gasoline
- * 2 : LHD Gasoline
- * 3 : LHD 1CD-FTV
- * 4 : Except LHD 1CD-FTV
- * 5 : w/ Knee Airbag
- * 6 : 1AZ-FE, 1ZZ-FE, 3ZZ-FE
- * 7 : 1AZ-FSE
- * 8 : Except Automatic A/C
- * 9 : Automatic A/C



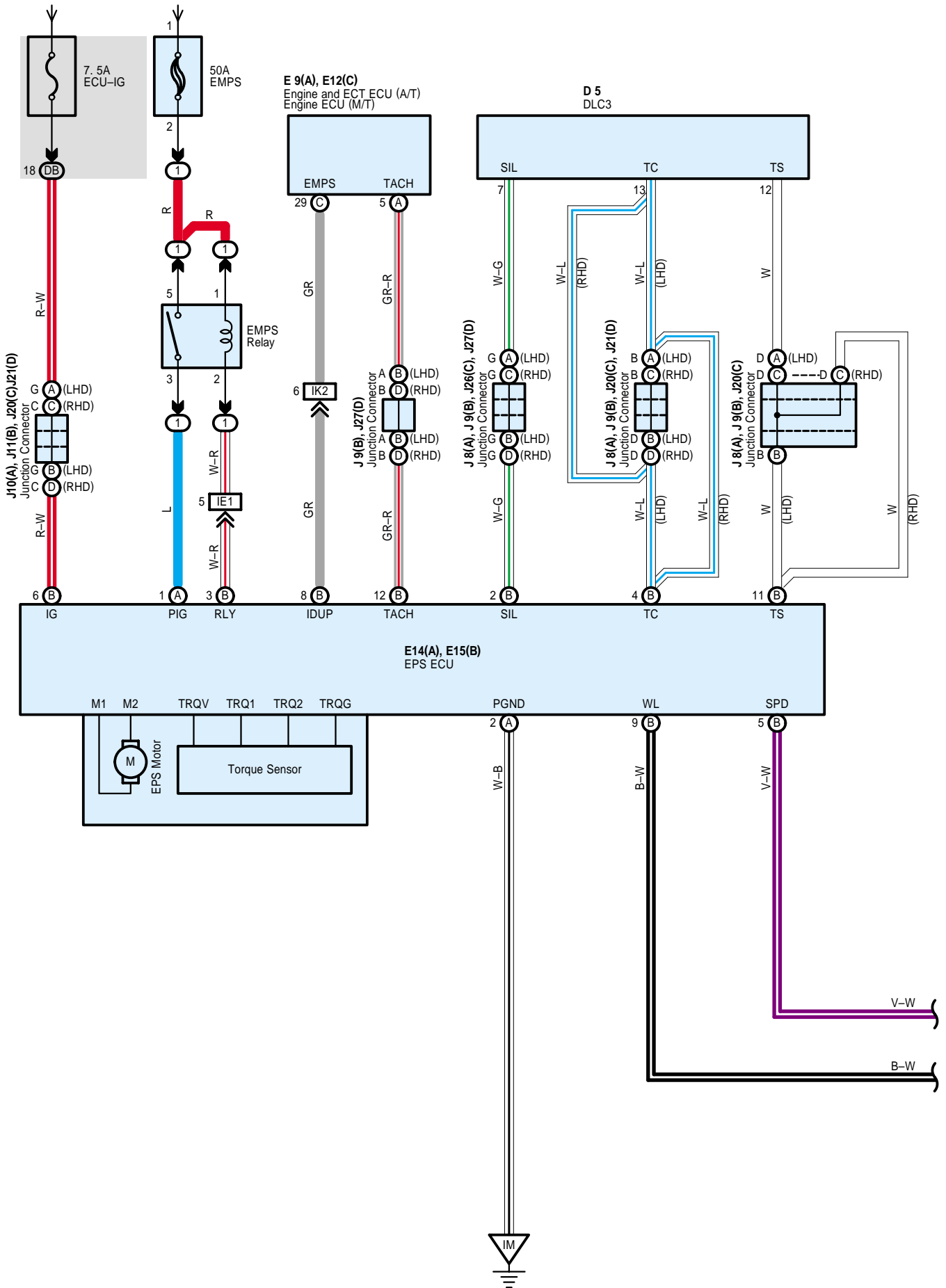


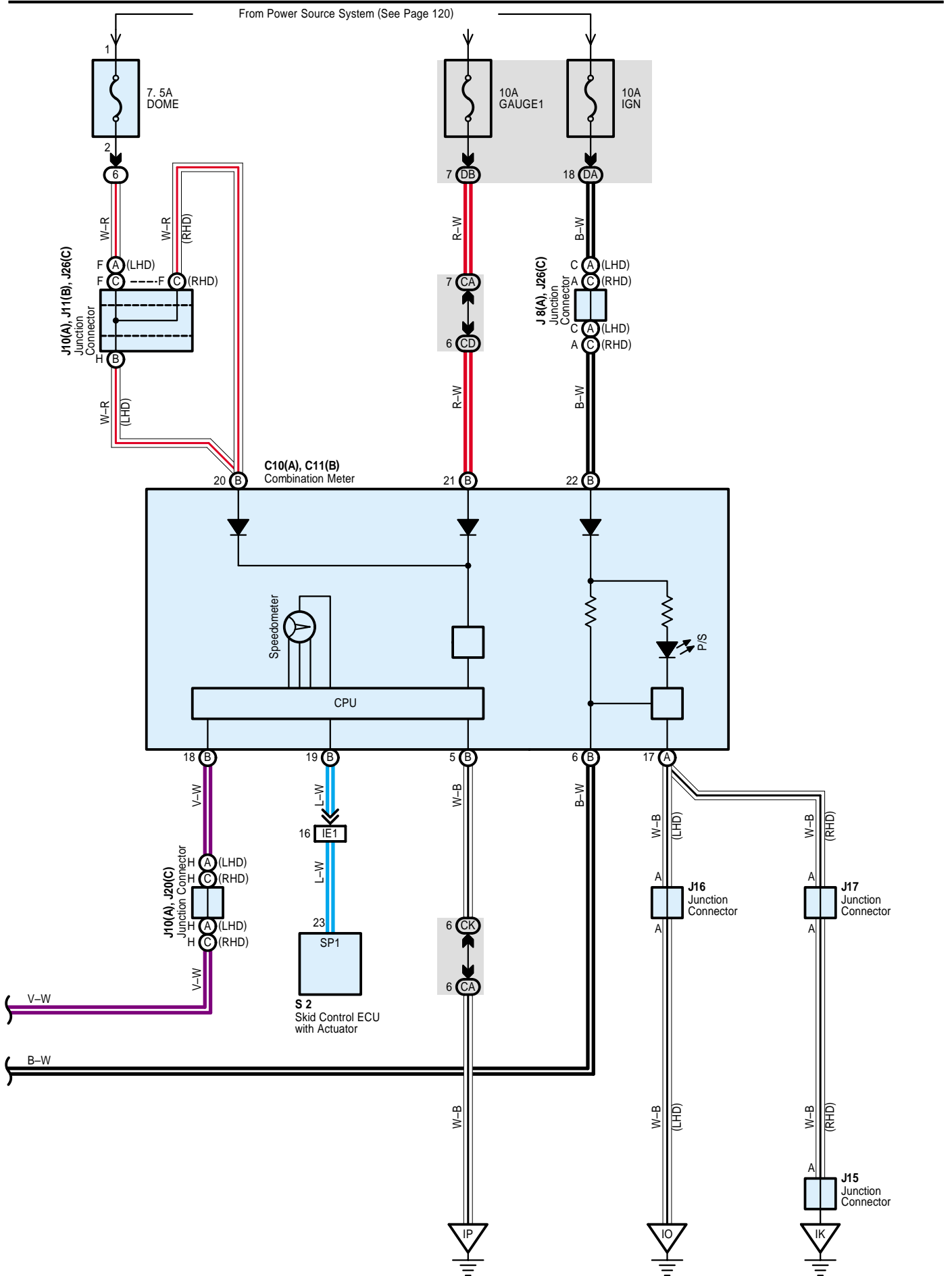


- *10 : w/ Curtain Shield Airbag
- *11 : w/o Curtain Shield Airbag
- *12 : RHD 1A2-FE
- *13 : RHD Except 1A2-FE



From Power Source System (See Page 120)





System Outline

To reduce the driver's steering effort, assist current computed according to the torque sensor signal and vehicle speed signal is output to the motor. In case the system fails, to prohibit further assistance, the current to the EMPS relay and motor relay (Built in the EPS ECU) is shut off, and the warning light in the combination meter comes on.

Service Hints

E14 (A), E15 (B) EPS ECU

(B) 6-Ground : Approx. 12 volts with the ignition SW at ON position

(A) 2-Ground : Always continuity

○ : Parts Location

Code		See Page	Code		See Page	Code		See Page
C10	A	46 (LHD)	E12	C	67 (RHD)	J15		68 (RHD)
		66 (RHD)						
C11	B	46 (LHD)	E14	A	47 (LHD)	J16		48 (LHD)
		66 (RHD)			67 (RHD)			
D5		47 (LHD)	E15	B	47 (LHD)	J20	C	68 (RHD)
		67 (RHD)			67 (RHD)			
E9	A	47 (LHD)	J8	A	48 (LHD)	J26	C	68 (RHD)
		67 (RHD)			J9			
E12	C	47 (LHD)	J10	A	48 (LHD)	S2		43 (*5)
					J11			B

○ : Relay Blocks

Code	See Page	Relay Blocks (Relay Block Location)
1	24 (*1)	Engine Room R/B No.1 (Engine Compartment Left)
6	29	Fuse Block (Lower Finish Panel)

○ : Junction Block and Wire Harness Connector

Code	See Page	Junction Block and Wire Harness (Connector Location)
CA	34	Instrument Panel Wire and Center J/B (Instrument Panel Reinforcement RH)
CD		
CK	35	
DA	30	Instrument Panel Wire and Driver Side J/B (Left Side of the Instrument Panel)
DB		

□ : Connector Joining Wire Harness and Wire Harness

Code	See Page	Joining Wire Harness and Wire Harness (Connector Location)
IE1	86 (LHD)	Engine Room Main Wire and Instrument Panel Wire (Behind the Combination Meter)
	106 (RHD)	Engine Room Main Wire and Instrument Panel Wire (Behind the Glove Box)
IK2	88 (LHD)	Engine Wire and Instrument Panel Wire (Behind the Glove Box)
	108 (RHD)	

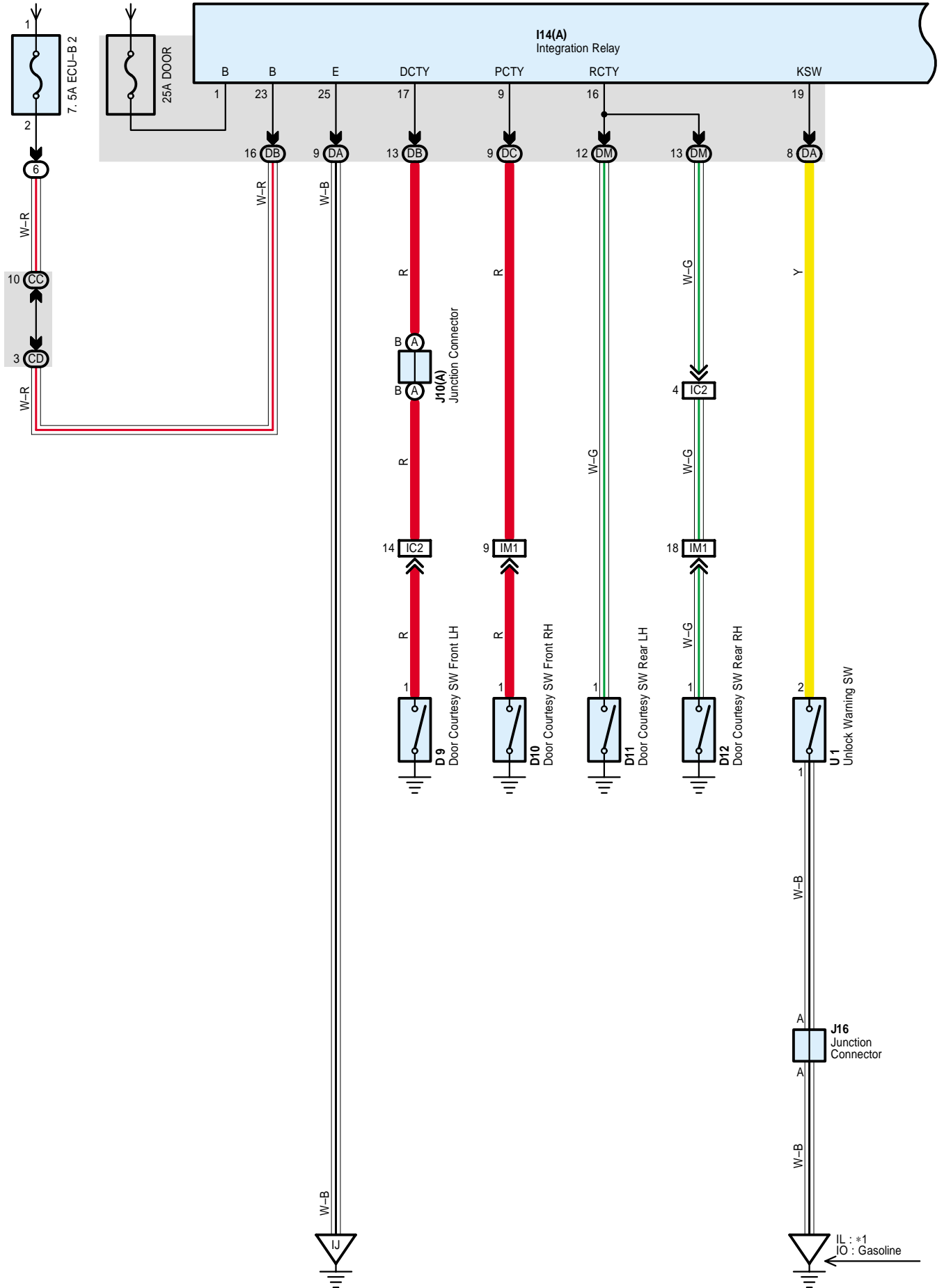
▽ : Ground Points

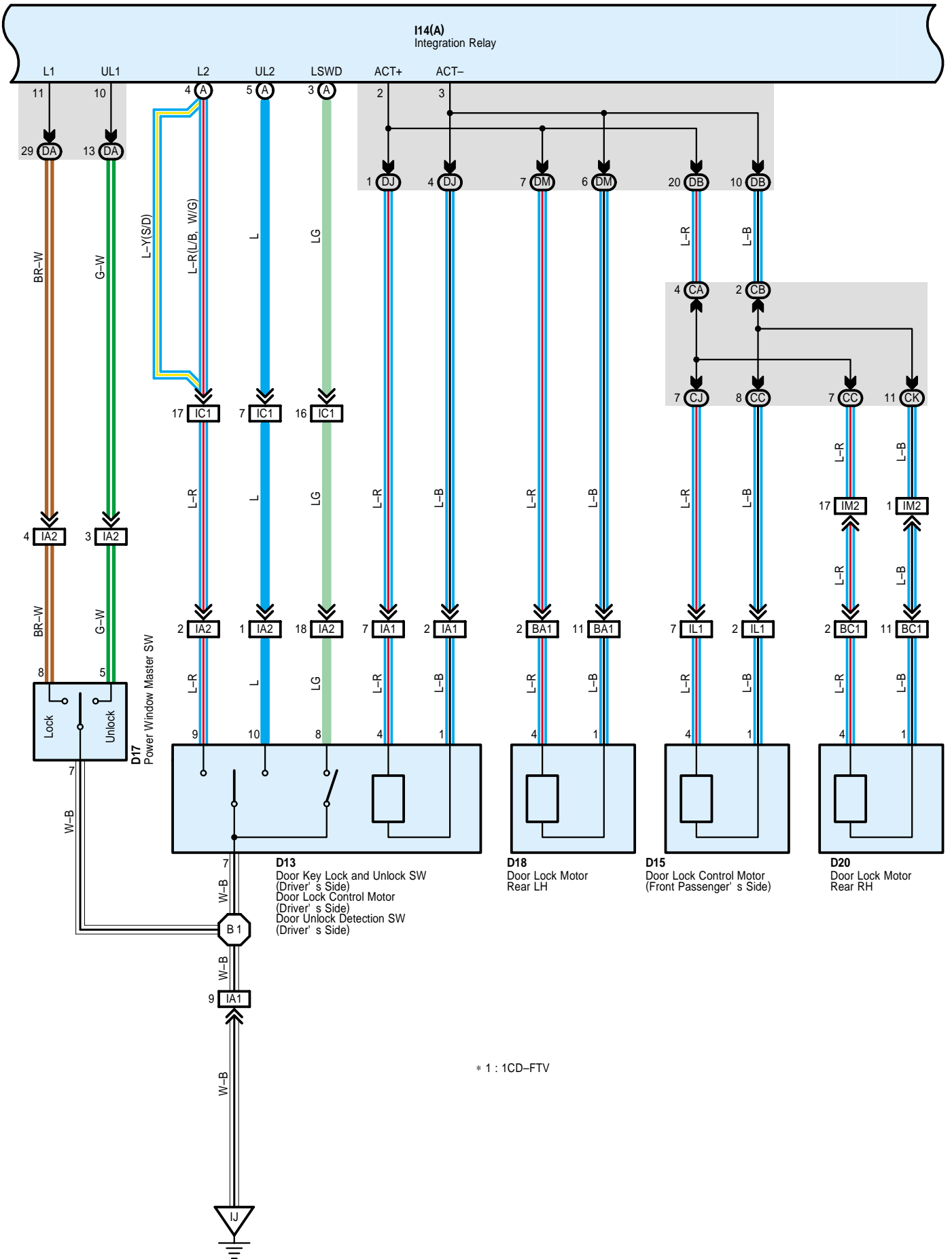
Code	See Page	Ground Points Location
IK	106 (RHD)	Behind the Combination Meter
IM	86 (LHD)	
		106 (RHD)
IO	86 (LHD)	Instrument Panel Reinforcement RH
IP	86 (LHD)	Right Kick Panel
	106 (RHD)	

* 1 : Gasoline * 2 : 1CD-FTV * 3 : LHD 1AZ-FSE * 4 : LHD 1AZ-FE * 5 : LHD 1ZZ-FE, 3ZZ-FE * 6 : LHD 1CD-FTV
 * 7 : RHD 1AZ-FSE * 8 : RHD 1AZ-FE * 9 : RHD 1ZZ-FE, 3ZZ-FE * 10 : RHD 1CD-FTV

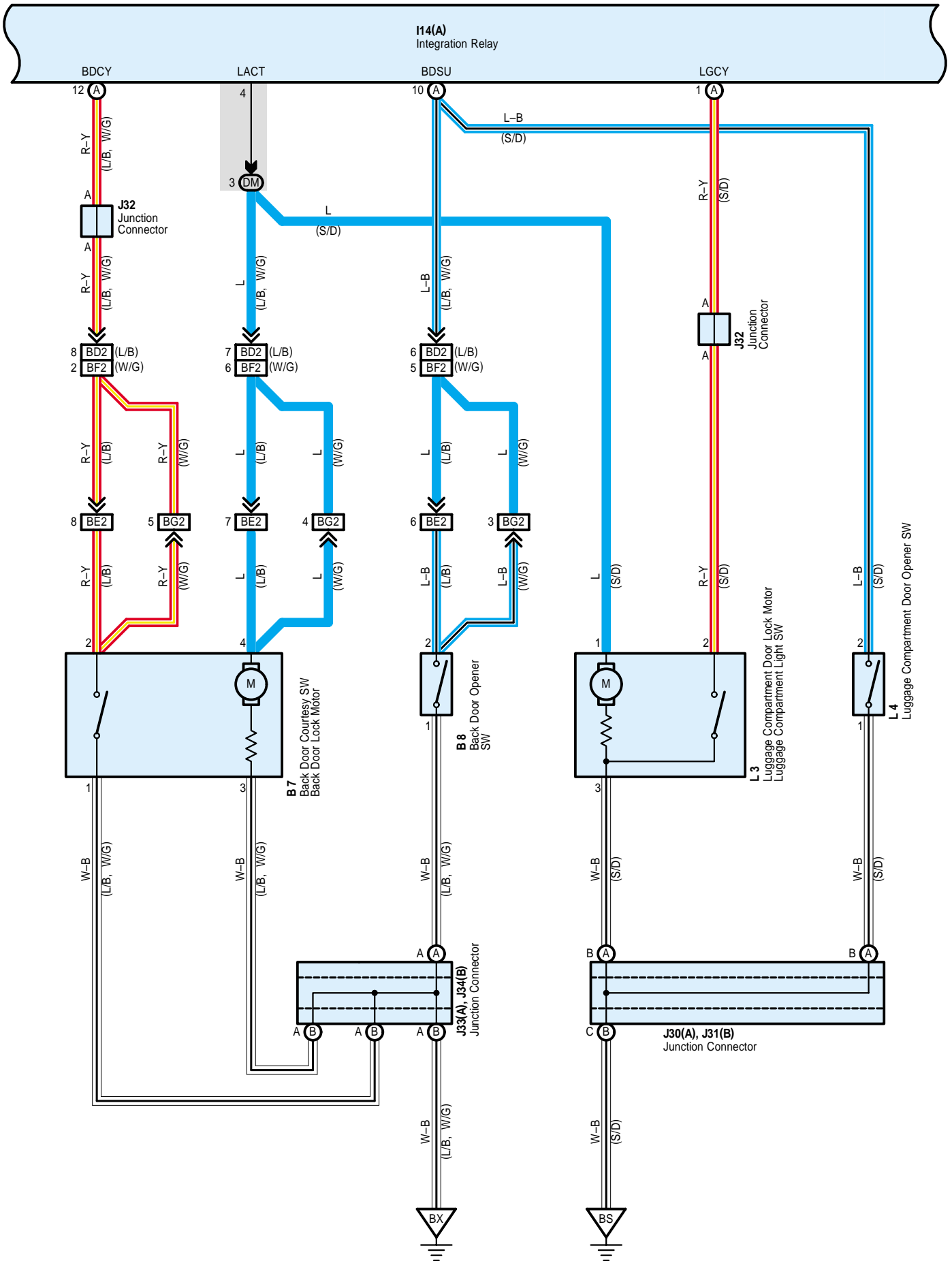
Door Lock Control (LHD)

From Power Source System (See Page 120)

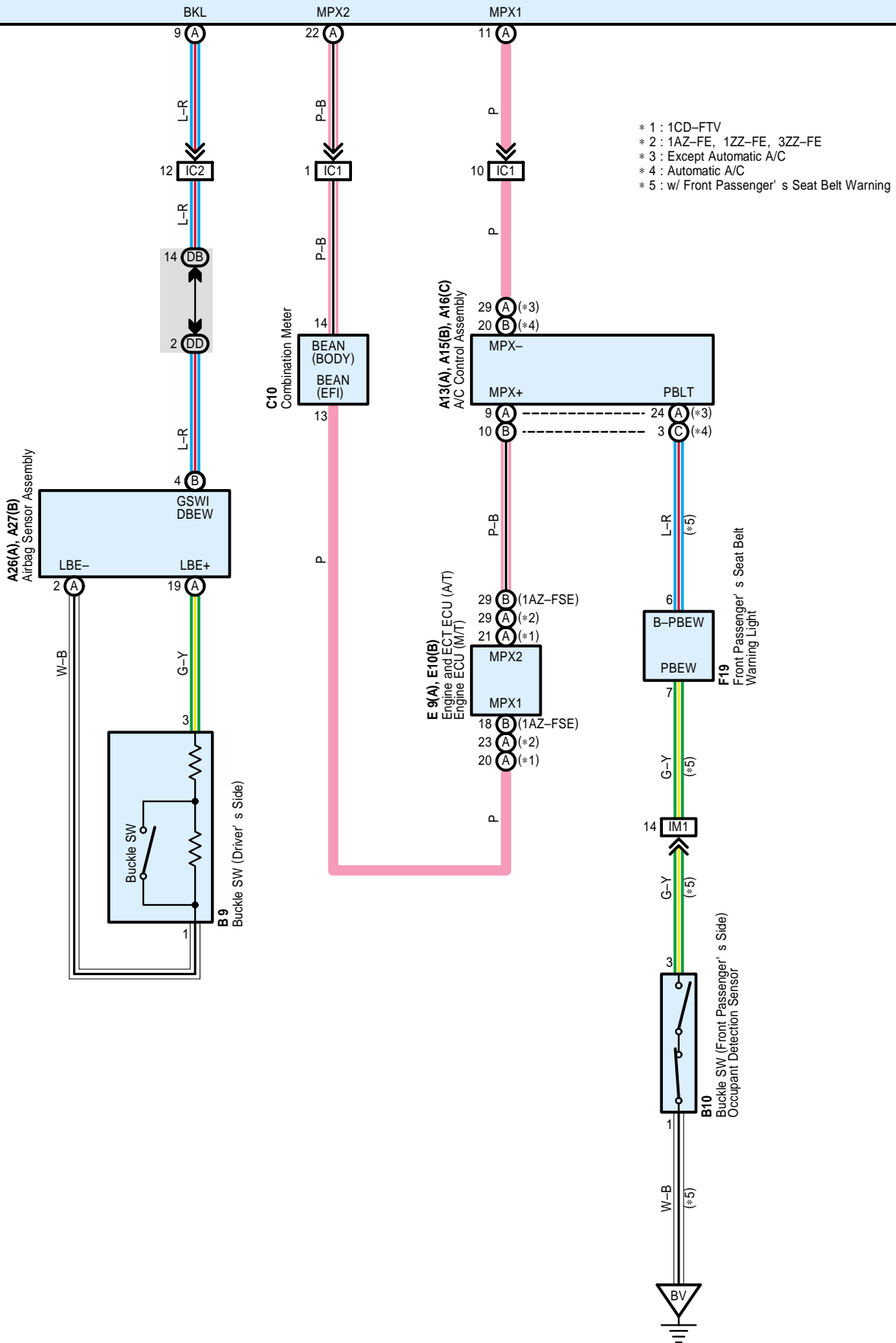




Door Lock Control (LHD)



I14(A)
Integration Relay



Door Lock Control (LHD)

System Outline

Manual Lock Operation

All the doors are locked when the door lock control SW or the driver's side door key linked SW is operated to lock.

Manual Unlock Operation

All the doors are unlocked when the door lock control SW or the driver's side door key linked SW is operated to unlock.

Ignition Key Reminder Operation

The doors can not be locked unless the key is removed from the ignition key cylinder.

Service Hints

Integration Relay

23, 1-Ground : Always approx. 12 volts

25-Ground : Always continuity

U1 Unlock Warning SW

2-1 : Closed with the ignition key in cylinder

○ : Parts Location

Code	See Page	Code	See Page	Code	See Page
A13	A 46 (LHD)	D11	52 (LHD L/B)	D20	54 (LHD W/G)
A15	B 46 (LHD)		54 (LHD W/G)	E9	A 47 (LHD)
A16	C 46 (LHD)	D12	50 (LHD S/D)	E10	B 47 (LHD)
A26	A 46 (LHD)		52 (LHD L/B)	F19 47 (LHD)	
A27	B 46 (LHD)		54 (LHD W/G)	I14	A 47 (LHD)
B7	52 (LHD L/B)	D13	50 (LHD S/D)	J10	A 48 (LHD)
	54 (LHD W/G)		52 (LHD L/B)	J16 48 (LHD)	
B8	52 (LHD L/B)	D15	54 (LHD W/G)	J30	A 51 (LHD S/D)
	54 (LHD W/G)		50 (LHD S/D)	J31	B 51 (LHD S/D)
B9	56 (LHD)	D17	52 (LHD L/B)	J32 51 (LHD S/D)	
B10	56 (LHD)		54 (LHD W/G)		
C10	46 (LHD)		50 (LHD S/D)	55 (LHD W/G)	
D9	50 (LHD S/D)	D18	52 (LHD L/B)	J33	A 53 (LHD L/B)
	52 (LHD L/B)		54 (LHD W/G)		
	54 (LHD W/G)		50 (LHD S/D)	J34	B 53 (LHD L/B)
50 (LHD S/D)	52 (LHD L/B)	55 (LHD W/G)			
D10	52 (LHD L/B)	D20	54 (LHD W/G)	L3 51 (LHD S/D)	
	54 (LHD W/G)		50 (LHD S/D)	L4 51 (LHD S/D)	
D11	50 (LHD S/D)		52 (LHD L/B)	U1 49 (LHD)	

○ : Relay Blocks

Code	See Page	Relay Blocks (Relay Block Location)
6	29	Fuse Block (Lower Finish Panel)

 : **Junction Block and Wire Harness Connector**

Code	See Page	Junction Block and Wire Harness (Connector Location)	
CA	34	Instrument Panel Wire and Center J/B (Instrument Panel Reinforcement RH)	
CB			
CC			
CD			
CJ	35		
CK			
DA	30		Instrument Panel Wire and Driver Side J/B (Left Side of the Instrument Panel)
DB			
DC			
DD			
DJ			
DM	31	Floor Wire and Driver Side J/B (Left Side of the Instrument Panel)	

 : **Connector Joining Wire Harness and Wire Harness**

Code	See Page	Joining Wire Harness and Wire Harness (Connector Location)
IA1	86 (LHD)	Front Door LH Wire and Instrument Panel Wire (Left Kick Panel)
IA2		
IC1	86 (LHD)	Instrument Panel Wire and Floor Wire (Left Kick Panel)
IC2		
IL1	88 (LHD)	Front Door RH Wire and Instrument Panel Wire (Right Kick Panel)
IM1	88 (LHD)	Instrument Panel Wire and Floor No.2 Wire (Right Kick Panel)
IM2		
BA1	90 (LHD S/D)	Rear Door No.2 Wire and Floor Wire (Under the Left Center Pillar)
	92 (LHD L/B)	
	94 (LHD W/G)	
BC1	90 (LHD S/D)	Rear Door No.1 Wire and Floor No.2 Wire (Under the Right Center Pillar)
	92 (LHD L/B)	
	94 (LHD W/G)	
BD2	92 (LHD L/B)	Back Door No.1 Wire and Floor Wire (Under the Left Quarter Pillar)
BE2	92 (LHD L/B)	Back Door No.2 Wire and Back Door No.1 Wire (Back Door Upper Left)
BF2	94 (LHD W/G)	Back Door No.1 Wire and Floor Wire (Under the Left Quarter Pillar)
BG2	94 (LHD W/G)	Back Door No.1 Wire and Back Door No.2 Wire (Back Door Left)

 : **Ground Points**

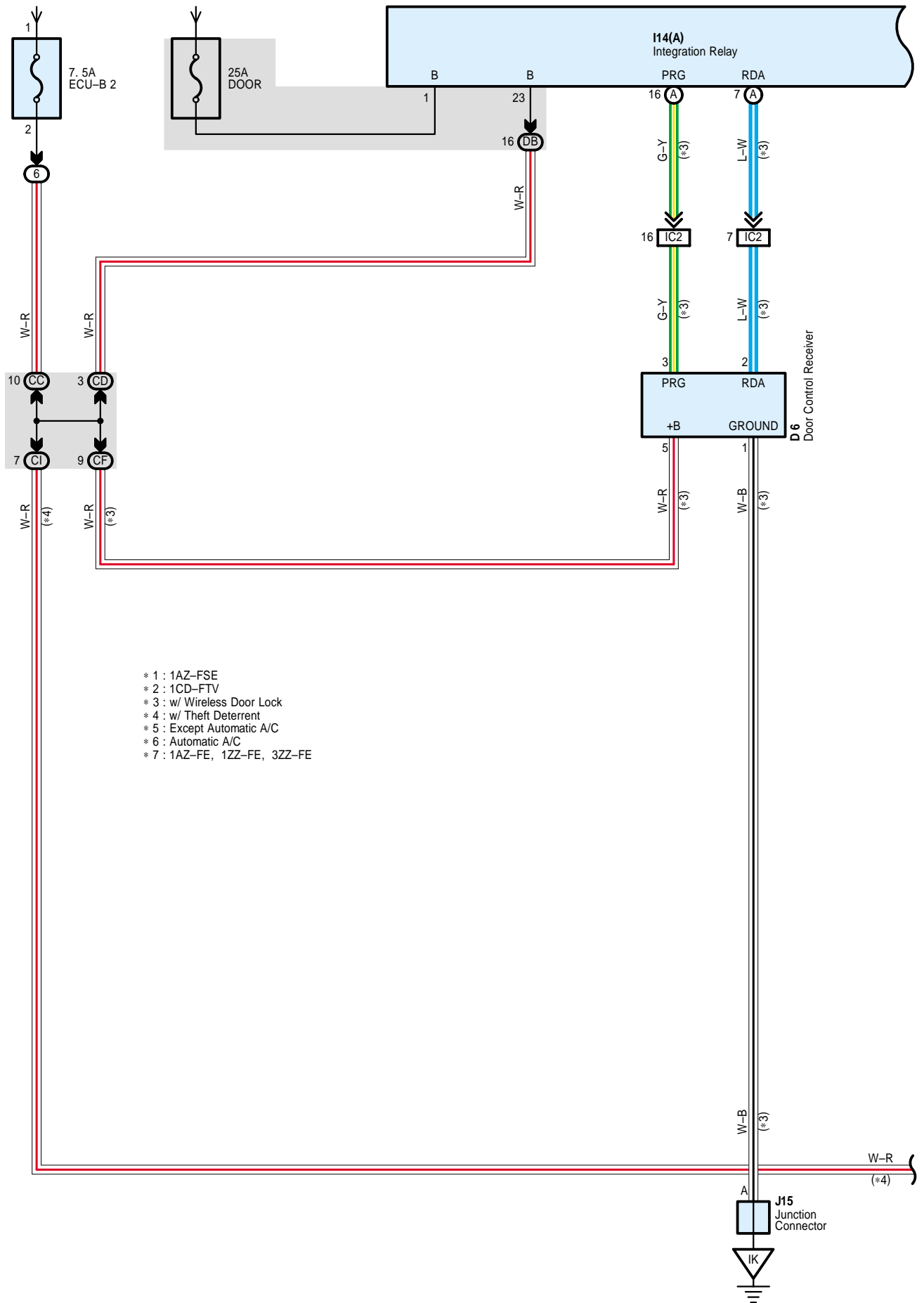
Code	See Page	Ground Points Location
IJ	86 (LHD)	Left Kick Panel
IL	86 (LHD)	Behind the Combination Meter
IO	86 (LHD)	Instrument Panel Reinforcement RH
BS	90 (LHD S/D)	Lower Back Panel Left
BV	90 (LHD S/D)	Under the Right Center Pillar
	92 (LHD L/B)	
	94 (LHD W/G)	
BX	92 (LHD L/B)	Right Side of the Back Door
	94 (LHD W/G)	

 : **Splice Points**

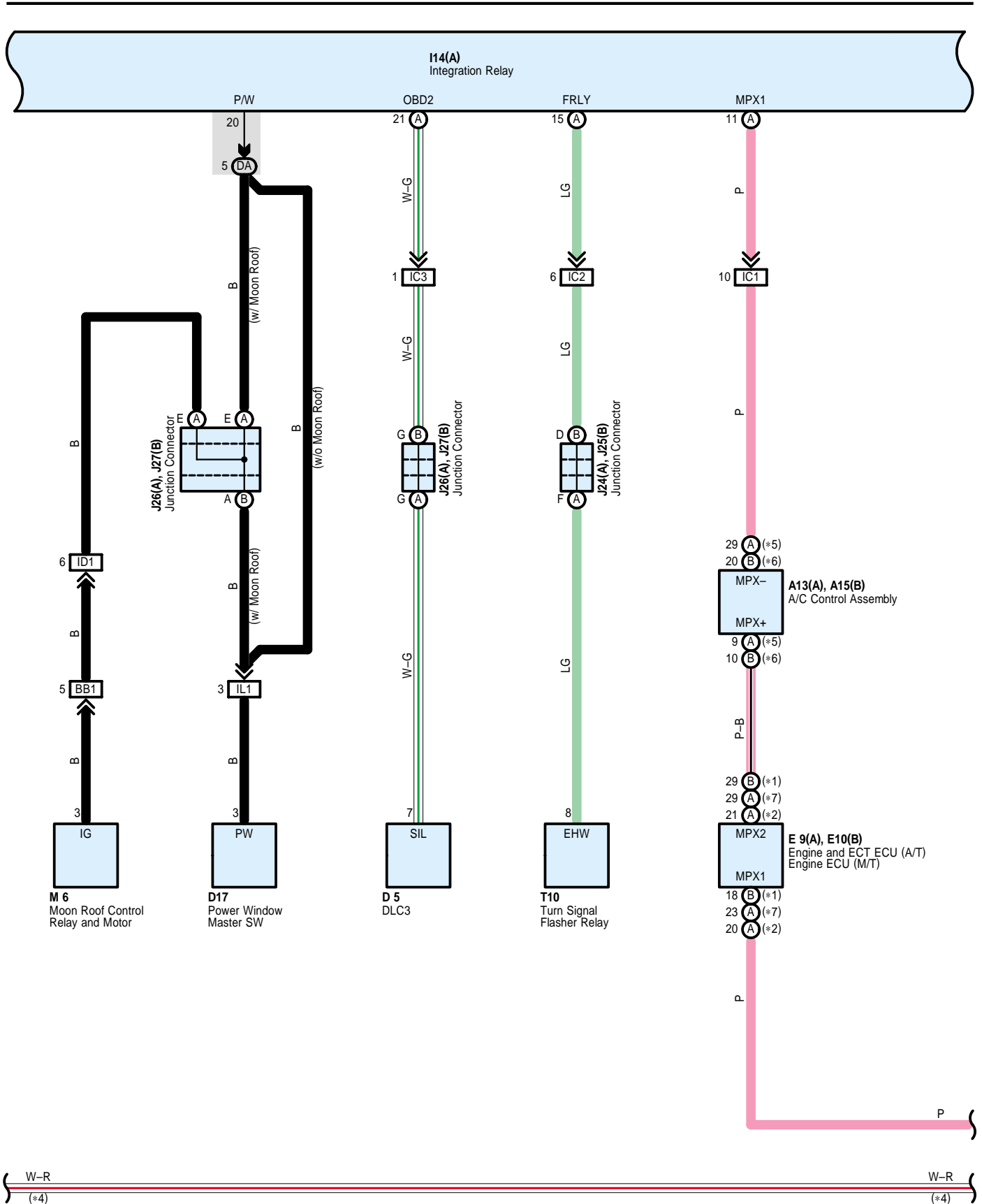
Code	See Page	Wire Harness with Splice Points	Code	See Page	Wire Harness with Splice Points
B1	90 (LHD S/D)	Front Door LH Wire	B1	94 (LHD W/G)	Front Door LH Wire
	92 (LHD L/B)				

Door Lock Control (RHD) and Theft Deterrent

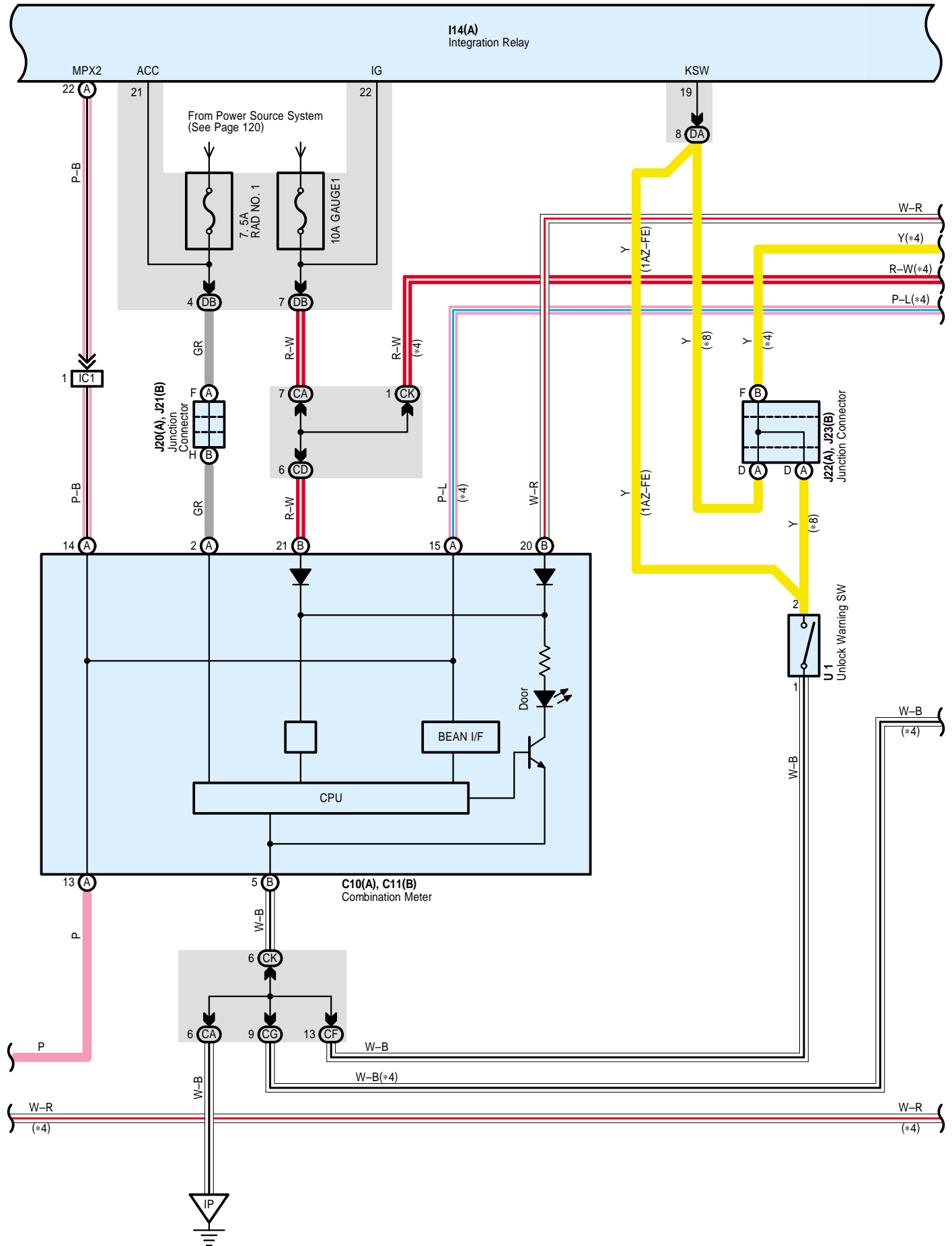
From Power Source System (See Page 120)



- * 1 : 1AZ-FSE
- * 2 : 1CD-FTV
- * 3 : w/ Wireless Door Lock
- * 4 : w/ Theft Deterrent
- * 5 : Except Automatic A/C
- * 6 : Automatic A/C
- * 7 : 1AZ-FE, 1ZZ-FE, 3ZZ-FE

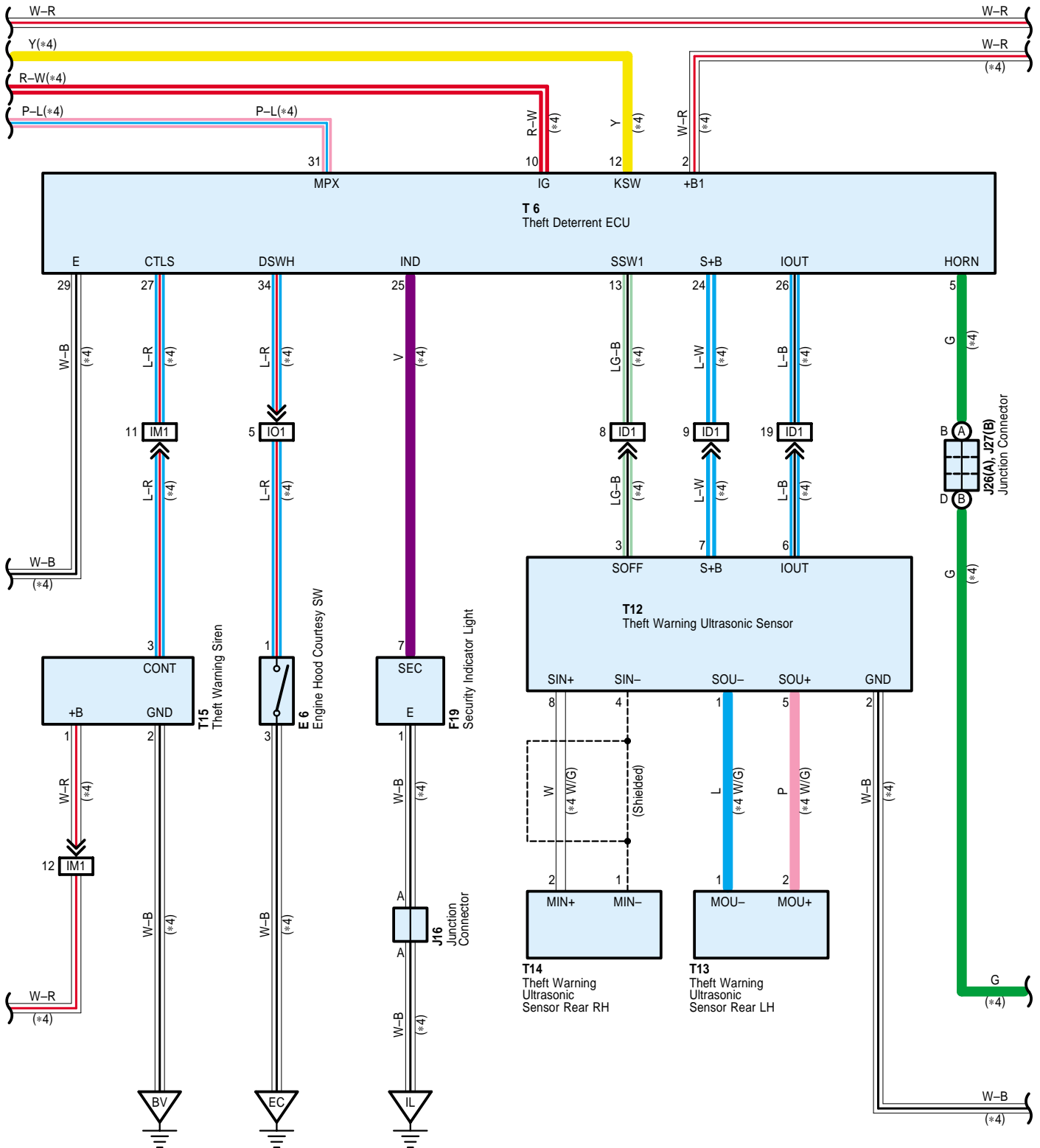


Door Lock Control (RHD) and Theft Deterrent

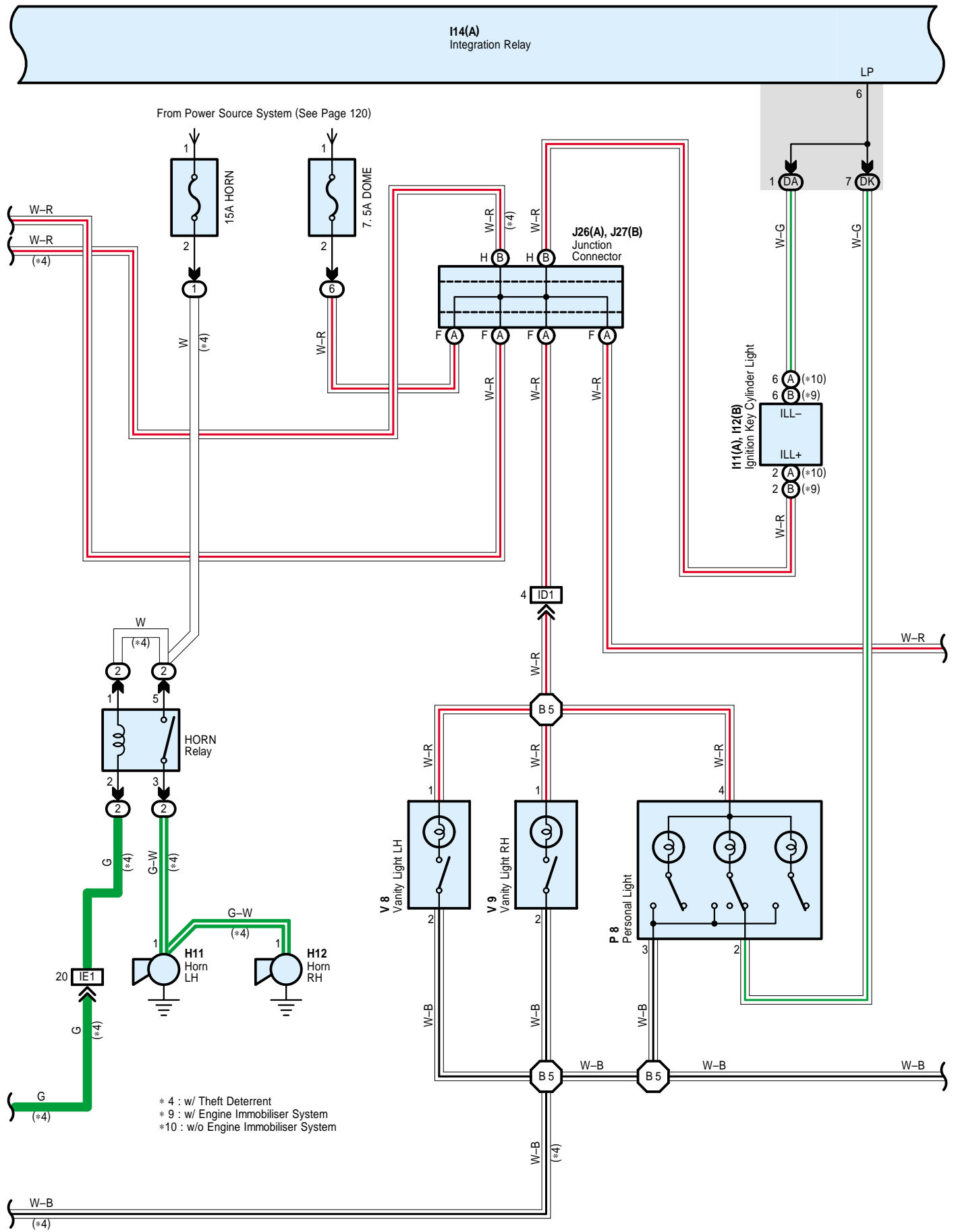


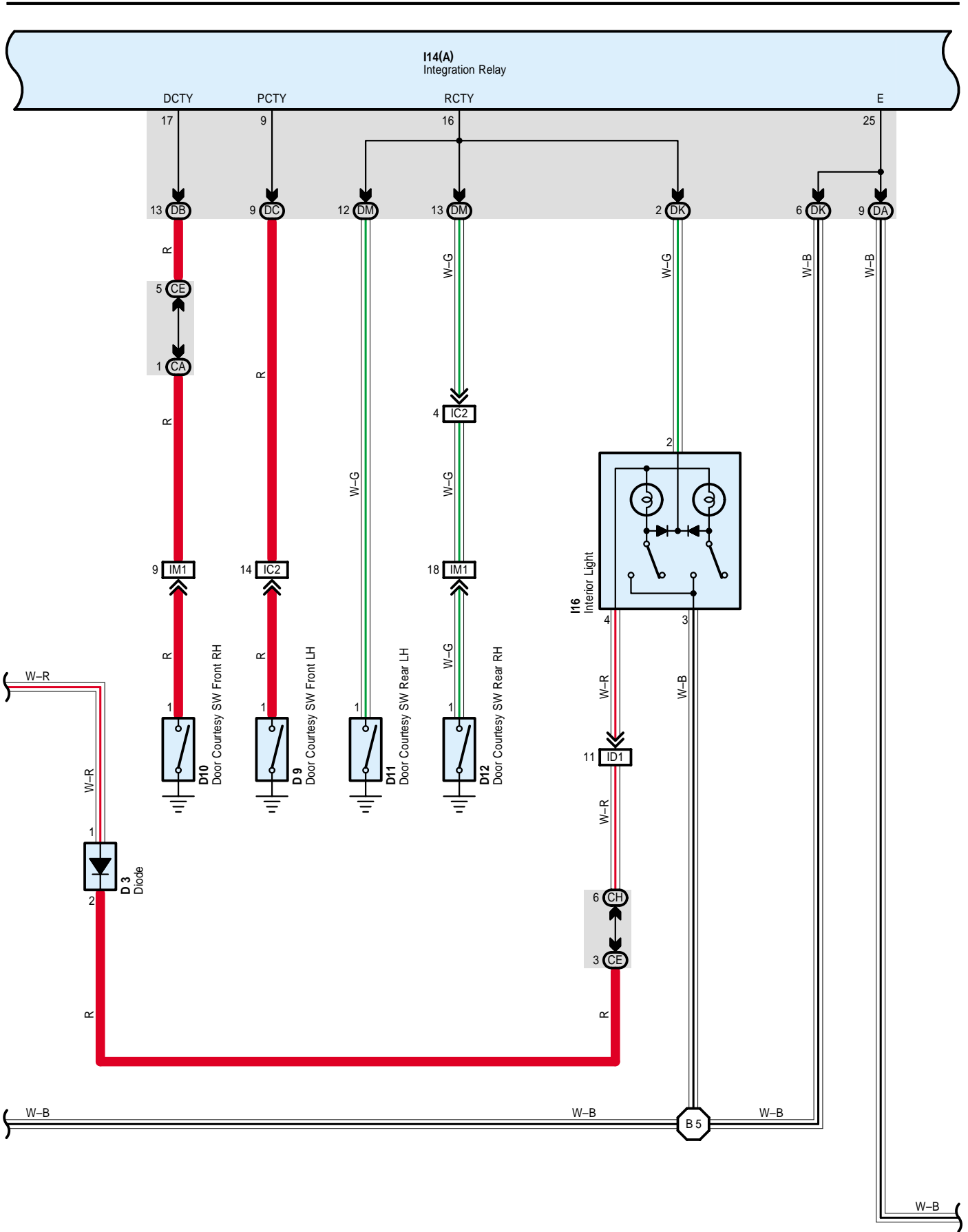
I14(A)
Integration Relay

* 4 : w/ Theft Deterrent
* 8 : Except 1AZ-FE

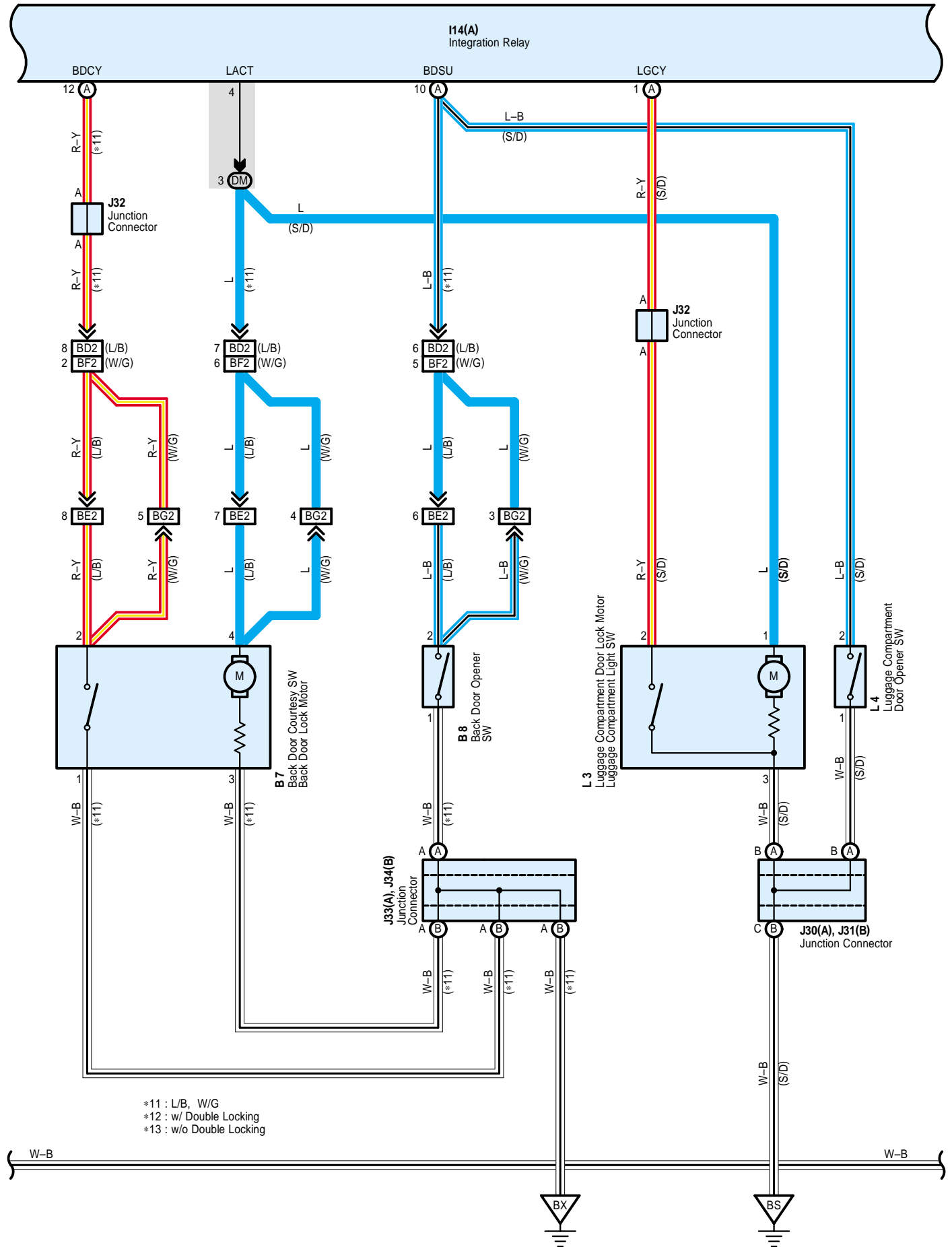


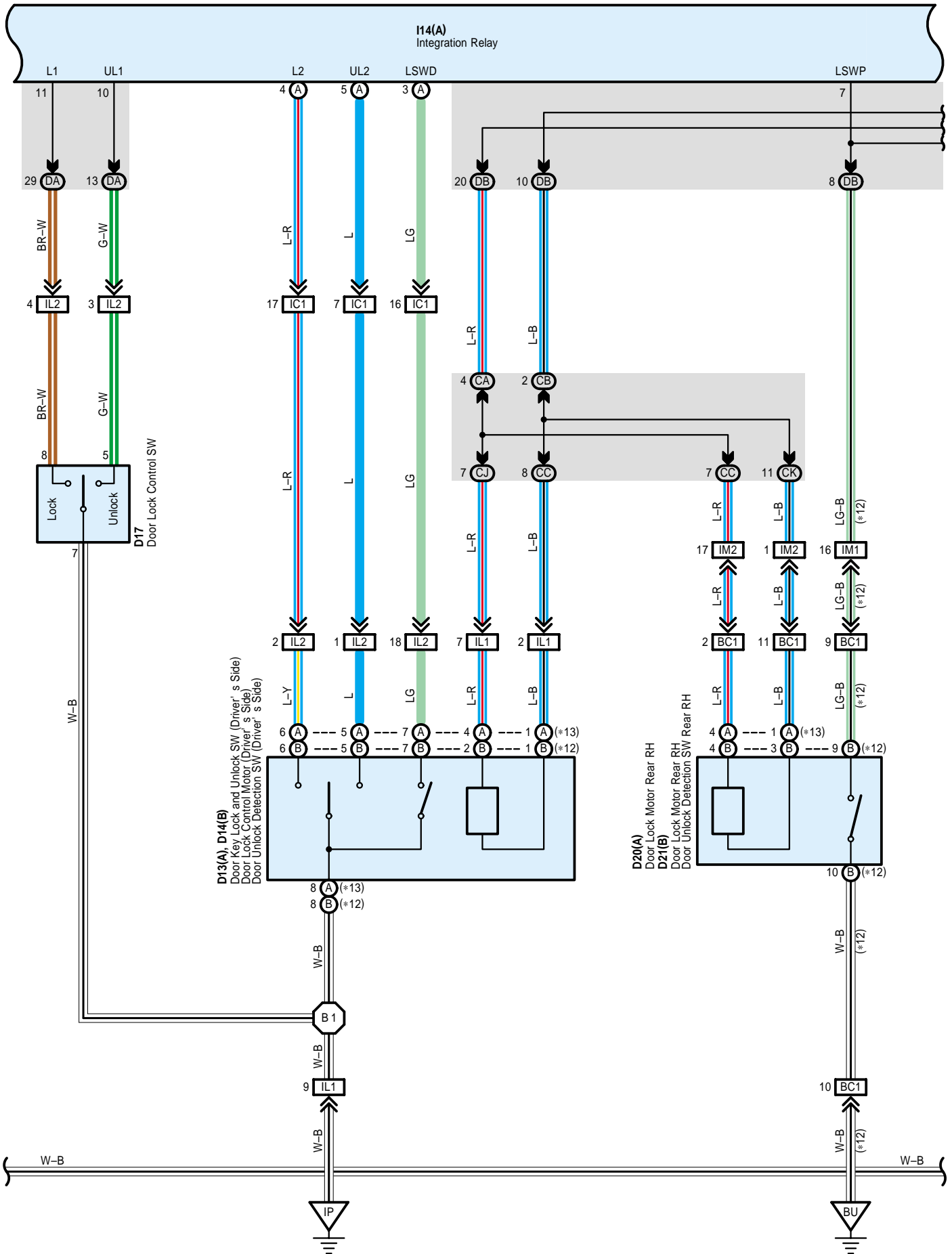
Door Lock Control (RHD) and Theft Deterrent



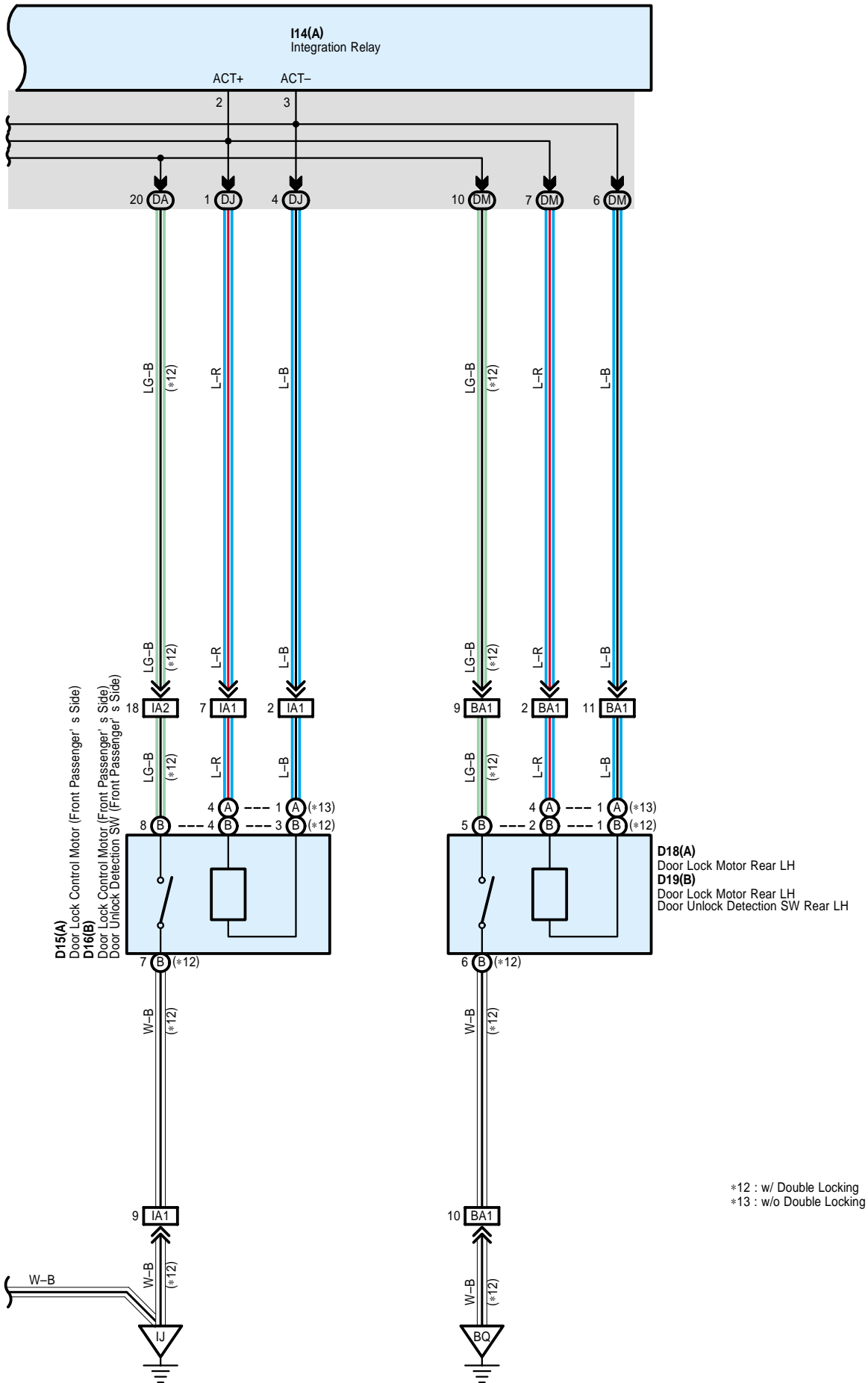


Door Lock Control (RHD) and Theft Deterrent





Door Lock Control (RHD) and Theft Deterrent



System Outline

Manual Lock Operation

All the doors are locked when the door lock control SW or the driver's side door key linked SW is operated to lock.

Manual Unlock Operation

All the doors are unlocked when the door lock control SW or the driver's side door key linked SW is operated to unlock.

Ignition Key Reminder Operation

The doors can not be locked unless the key is removed from the ignition key cylinder.

Service Hints

Integration Relay

23, 1-Ground : Always approx. 12 volts

25-Ground : Always continuity

22-Ground : Approx. 12 volts with the ignition SW at ON position

U1 Unlock Warning SW

2-1 : Closed with the ignition key in cylinder

Door Lock Control (RHD) and Theft Deterrent

○ : Parts Location

Code		See Page	Code		See Page	Code		See Page		
A13	A	66 (RHD)	D19	B	70 (RHD S/D)	J30	A	71 (RHD S/D)		
A15	B	66 (RHD)			72 (RHD L/B)	J31	B	71 (RHD S/D)		
B7		72 (RHD L/B)	D20	A	74 (RHD W/G)	J32		71 (RHD S/D)		
		74 (RHD W/G)			70 (RHD S/D)		73 (RHD L/B)			
B8		72 (RHD L/B)	D21	B	70 (RHD S/D)		J33	A	75 (RHD W/G)	
		74 (RHD W/G)			72 (RHD L/B)	73 (RHD L/B)				
C10	A	66 (RHD)					74 (RHD W/G)	J34	B	75 (RHD W/G)
C11	B	66 (RHD)	E6		58 (*7)					73 (RHD L/B)
D3		67 (RHD)				62 (*9)			75 (RHD W/G)	
D5		67 (RHD)				64 (*10)	L3		71 (RHD S/D)	
D6		67 (RHD)	E9	A	67 (RHD)	L4		71 (RHD S/D)		
D9		70 (RHD S/D)	E10	B	67 (RHD)	M6		71 (RHD S/D)		
		72 (RHD L/B)	F19		67 (RHD)				73 (RHD L/B)	
		74 (RHD W/G)			58 (*7)				75 (RHD W/G)	
D10		70 (RHD S/D)	H11		62 (*9)	P8		71 (RHD S/D)		
		72 (RHD L/B)					64 (*10)			73 (RHD L/B)
		74 (RHD W/G)					58 (*7)			75 (RHD W/G)
D11		70 (RHD S/D)	H12		62 (*9)	T6		69 (RHD)		
		72 (RHD L/B)				64 (*10)	T10		69 (RHD)	
		74 (RHD W/G)		I11	A	67 (RHD)	T12		71 (RHD S/D)	
D12		70 (RHD S/D)	I12	B	67 (RHD)				73 (RHD L/B)	
		72 (RHD L/B)	I14	A	67 (RHD)				75 (RHD W/G)	
		74 (RHD W/G)	I16			70 (RHD S/D)	T13		75 (RHD W/G)	
D13	A	70 (RHD S/D)				72 (RHD L/B)	T14		75 (RHD W/G)	
		74 (RHD W/G)				74 (RHD W/G)	T15		71 (RHD S/D)	
D14	B	70 (RHD S/D)	J15		68 (RHD)				73 (RHD L/B)	
		72 (RHD L/B)	J16		68 (RHD)				75 (RHD W/G)	
		74 (RHD W/G)								
D15	A	70 (RHD S/D)	J20	A	68 (RHD)	U1		69 (RHD)		
D16	B	70 (RHD S/D)	J21	B	68 (RHD)	V8		71 (RHD S/D)		
		72 (RHD L/B)	J22	A	68 (RHD)				73 (RHD L/B)	
		74 (RHD W/G)	J23	B	68 (RHD)				75 (RHD W/G)	
D17		70 (RHD S/D)	J24	A	68 (RHD)	V9		71 (RHD S/D)		
		72 (RHD L/B)	J25	B	68 (RHD)				73 (RHD L/B)	
		74 (RHD W/G)	J26	A	68 (RHD)				75 (RHD W/G)	
D18	A	70 (RHD S/D)	J27	B	68 (RHD)					

○ : Relay Blocks

Code	See Page	Relay Blocks (Relay Block Location)
1	24 (*1)	Engine Room R/B No.1 (Engine Compartment Left)
	25 (*2)	
2	26	Engine Room R/B No.2 (Near the Radiator Fan)
6	29	Fuse Block (Lower Finish Panel)

* 1 : Gasoline * 2 : 1CD-FTV * 3 : LHD 1AZ-FSE * 4 : LHD 1AZ-FE * 5 : LHD 1ZZ-FE, 3ZZ-FE * 6 : LHD 1CD-FTV
 * 7 : RHD 1AZ-FSE * 8 : RHD 1AZ-FE * 9 : RHD 1ZZ-FE, 3ZZ-FE * 10 : RHD 1CD-FTV

: Junction Block and Wire Harness Connector

Code	See Page	Junction Block and Wire Harness (Connector Location)
CA	34	Instrument Panel Wire and Center J/B (Instrument Panel Reinforcement RH)
CB		
CC		
CD		
CE		
CF		
CG	35	
CH		
CI		
CJ		
CK	30	
DA		
DB		
DC		
DJ	31	Instrument Panel Wire and Driver Side J/B (Left Side of the Instrument Panel)
DK		
DM	31	Floor Wire and Driver Side J/B (Left Side of the Instrument Panel)

: Connector Joining Wire Harness and Wire Harness

Code	See Page	Joining Wire Harness and Wire Harness (Connector Location)
IA1	106 (RHD)	Front Door LH Wire and Instrument Panel Wire (Left Kick Panel)
IA2		
IC1	106 (RHD)	Instrument Panel Wire and Floor Wire (Left Kick Panel)
IC2		
IC3		
ID1	106 (RHD)	Instrument Panel Wire and Roof Wire (Left Side of the Instrument Panel)
IE1	106 (RHD)	Engine Room Main Wire and Instrument Panel Wire (Behind the Glove Box)
IL1	108 (RHD)	Front Door RH Wire and Instrument Panel Wire (Right Kick Panel)
IL2		
IM1	108 (RHD)	Instrument Panel Wire and Floor No.2 Wire (Right Kick Panel)
IM2		
IO1	108 (RHD)	Engine Room Main Wire and Instrument Panel Wire (Left Side of the Instrument Panel)
BA1	110 (RHD S/D)	Rear Door No.2 Wire and Floor Wire (Under the Left Center Pillar)
	112 (RHD L/B)	
	114 (RHD W/G)	
BB1	110 (RHD S/D)	Roof Wire and Roof No.2 Wire (Near the Personal Light)
	112 (RHD L/B)	
	114 (RHD W/G)	
BC1	110 (RHD S/D)	Rear Door No.1 Wire and Floor No.2 Wire (Under the Right Center Pillar)
	112 (RHD L/B)	
	114 (RHD W/G)	
BD2	112 (RHD L/B)	Back Door No.1 Wire and Floor Wire (Under the Left Quarter Pillar)
BE2	112 (RHD L/B)	Back Door No.2 Wire and Back Door No.1 Wire (Back Door Upper Left)
BF2	114 (RHD W/G)	Back Door No.1 Wire and Floor Wire (Under the Left Quarter Pillar)
BG2	114 (RHD W/G)	Back Door No.1 Wire and Back Door No.2 Wire (Back Door Left)

Door Lock Control (RHD) and Theft Deterrent

: Ground Points

Code	See Page	Ground Points Location
EC	98 (*7)	Engine Compartment Left
	102 (*9)	
	104 (*10)	
IJ	106 (RHD)	Left Kick Panel
IK	106 (RHD)	Behind the Combination Meter
IL		
IP	106 (RHD)	Right Kick Panel
BQ	110 (RHD S/D)	Under the Left Center Pillar
	112 (RHD L/B)	
	114 (RHD W/G)	
BS	110 (RHD S/D)	Lower Back Panel Left
BU	110 (RHD S/D)	Under the Right Center Pillar
	112 (RHD L/B)	
	114 (RHD W/G)	
BV	110 (RHD S/D)	Under the Right Center Pillar
	112 (RHD L/B)	
	114 (RHD W/G)	
BX	112 (RHD L/B)	Right Side of the Back Door
	114 (RHD W/G)	

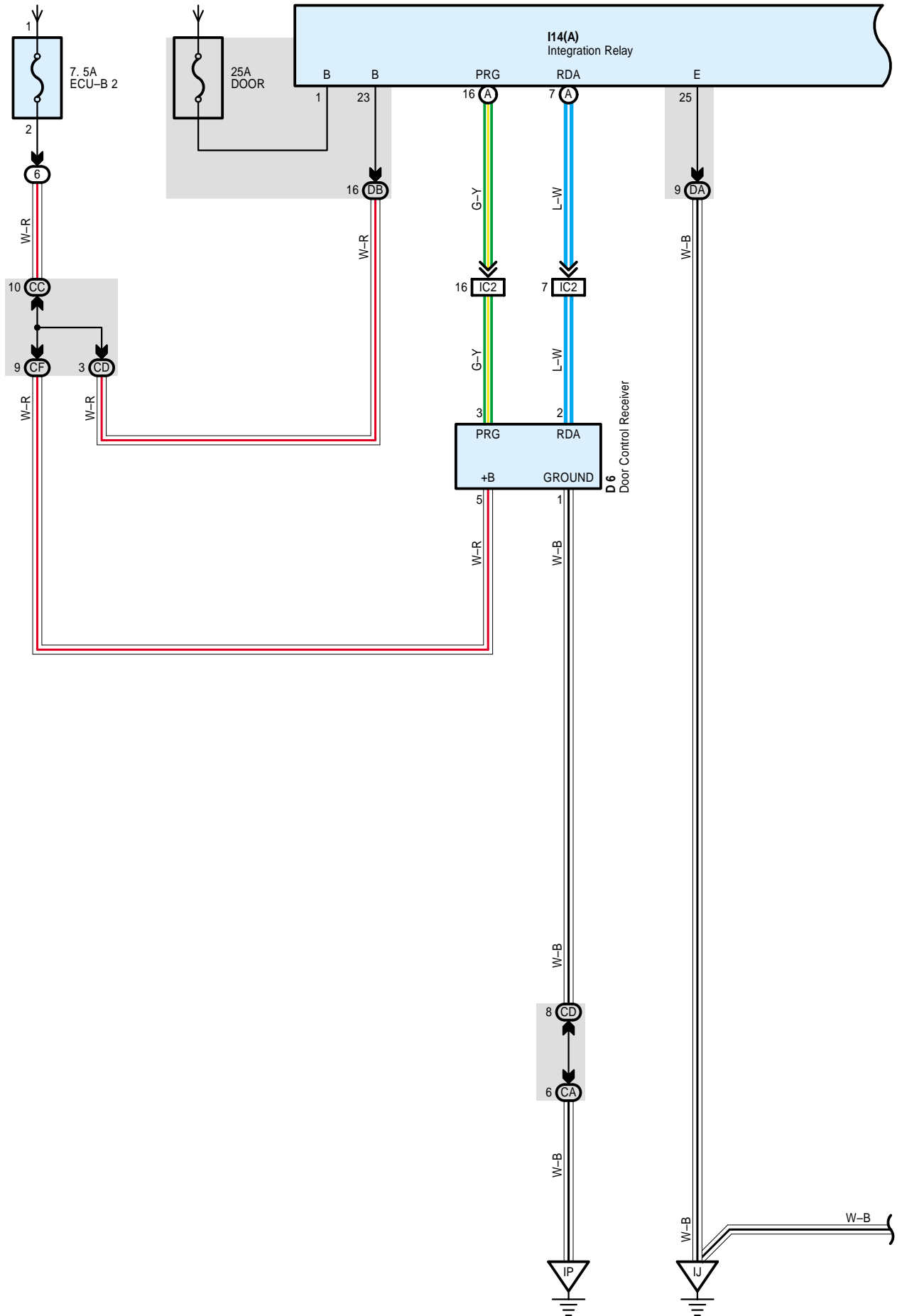
: Splice Points

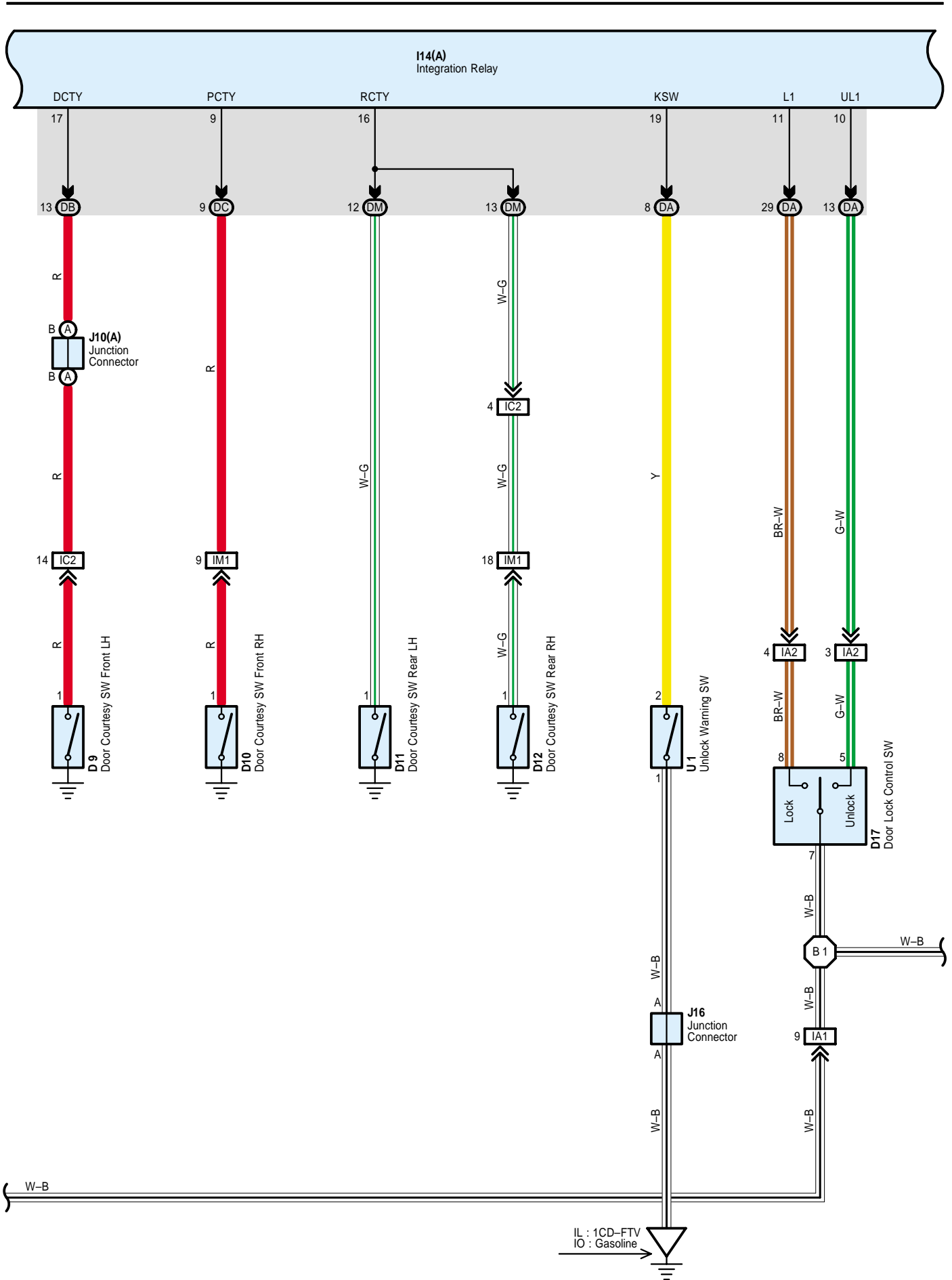
Code	See Page	Wire Harness with Splice Points	Code	See Page	Wire Harness with Splice Points
B1	110 (RHD S/D)	Front Door LH Wire	B5	110 (RHD S/D)	Roof Wire
	112 (RHD L/B)				
	114 (RHD W/G)				

* 1 : Gasoline * 2 : 1CD-FTV * 3 : LHD 1AZ-FSE * 4 : LHD 1AZ-FE * 5 : LHD 1ZZ-FE, 3ZZ-FE * 6 : LHD 1CD-FTV
 * 7 : RHD 1AZ-FSE * 8 : RHD 1AZ-FE * 9 : RHD 1ZZ-FE, 3ZZ-FE * 10 : RHD 1CD-FTV

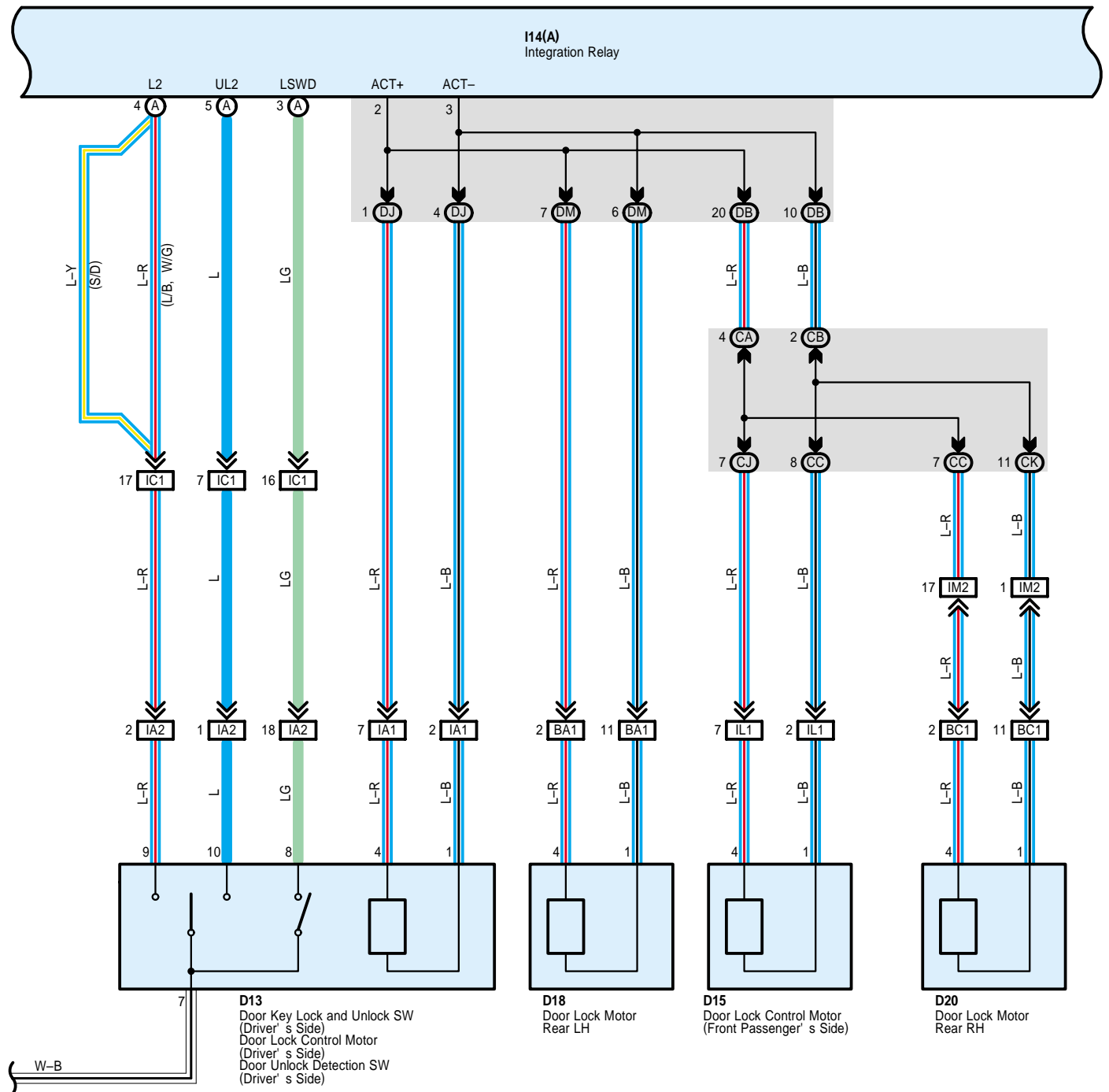
Wireless Door Lock Control (LHD)

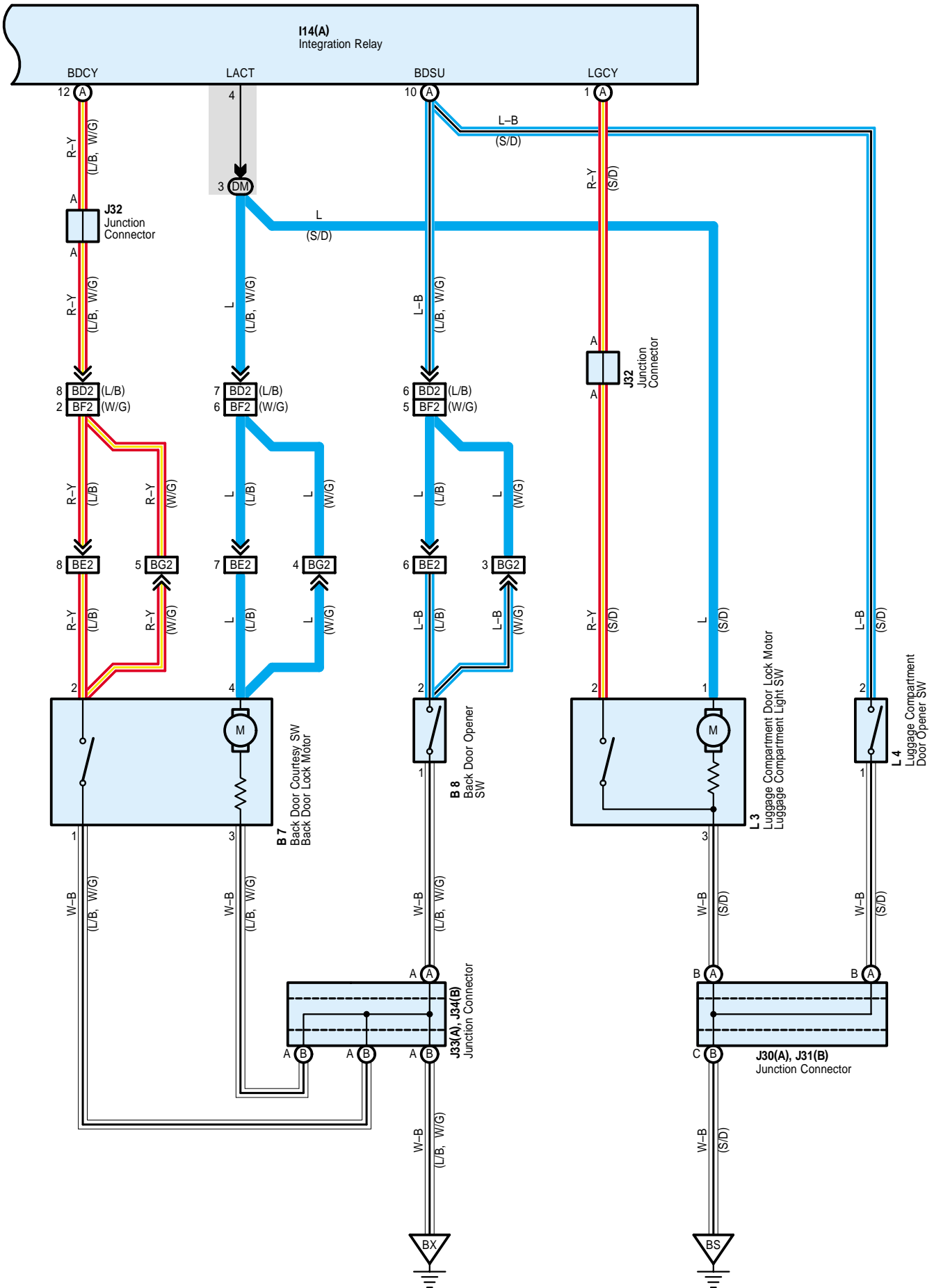
From Power Source System (See Page 120)





Wireless Door Lock Control (LHD)





Wireless Door Lock Control (LHD)

System Outline

The current is always sent from DOOR fuse to TERMINAL 1 of the integration relay. At the same time, the current is always sent from ECU-B 2 fuse to TERMINAL 5 of the door control receiver.

1. Wireless Door Lock or Unlock Normal Operation

- * Lock operation
When the LOCK SW of the transmitter is pushed, all the doors are locked.
- * Unlock operation
When the UNLOCK SW of the transmitter is pushed, all the doors are unlocked.
- * Luggage door unlock operation (S/D)
When the luggage door unlock SW is pushed, the luggage door is unlocked.
- * Back door unlock operation (L/B, W/G)
When the back door unlock SW is pushed, the back door is unlocked.

2. Automatic Lock Operation

If the door is not actually opened within approx. 30 sec. after the door has been unlocked by pushing the UNLOCK SW of the transmitter, unless each of the doors is opened or the ignition key is inserted, all the doors are locked again.

3. Visual Confirmation of Lock or Unlock Function

When doors are locked by using the transmitter, the hazard warning lights blink once. When doors are unlocked by using the transmitter, the hazard warning lights blink twice.

4. Wireless Control Stop Function

If the following situations occur, wireless door lock function does not operate.

Lock operation

- * When each of the doors opens. (Door courtesy SW is on)
- * When ignition key is inserted to ignition SW. (Unlock warning SW is on)
- * When ignition SW is on.

Unlock operation

- * When ignition SW is on.
- * When ignition key is inserted to ignition SW. (Unlock warning SW is on)

5. Repeat Function

If the doors are not locked after the lock signal is out put from transmitter by pushing LOCK SW, the lock signal is sent again to lock the doors.

Service Hints

Integration Relay

- 23, 1-Ground : Always approx. 12 volts
- 25-Ground : Always continuity

U1 Unlock Warning SW

- 2-1 : Closed with the ignition key in cylinder

D6 Door Control Receiver

- 5-Ground : Always approx. 12 volts
- 1-Ground : Always continuity

○ : Parts Location

Code	See Page	Code	See Page	Code	See Page	
B7	52 (LHD L/B)	D12	54 (LHD W/G)	I14	A	47 (LHD)
	54 (LHD W/G)		50 (LHD S/D)	J10	A	48 (LHD)
B8	52 (LHD L/B)	D13	52 (LHD L/B)	J16		48 (LHD)
	54 (LHD W/G)		54 (LHD W/G)	J30	A	51 (LHD S/D)
D6	47 (LHD)	D15	50 (LHD S/D)	J31	B	51 (LHD S/D)
D9	50 (LHD S/D)		52 (LHD L/B)	J32		51 (LHD S/D)
	52 (LHD L/B)		54 (LHD W/G)			53 (LHD L/B)
	54 (LHD W/G)	50 (LHD S/D)	55 (LHD W/G)			
D10	50 (LHD S/D)	D17	52 (LHD L/B)	J33	A	53 (LHD L/B)
	52 (LHD L/B)		54 (LHD W/G)			55 (LHD W/G)
	54 (LHD W/G)	D18	50 (LHD S/D)	J34	B	53 (LHD L/B)
50 (LHD S/D)	52 (LHD L/B)		55 (LHD W/G)			
52 (LHD L/B)	54 (LHD W/G)		L3			51 (LHD S/D)
D11	54 (LHD W/G)	D20	50 (LHD S/D)	L4		51 (LHD S/D)
	50 (LHD S/D)		52 (LHD L/B)	U1		49 (LHD)
D12	50 (LHD S/D)		54 (LHD W/G)			
	52 (LHD L/B)					

○ : Relay Blocks

Code	See Page	Relay Blocks (Relay Block Location)
6	29	Fuse Block (Lower Finish Panel)

○ : Junction Block and Wire Harness Connector

Code	See Page	Junction Block and Wire Harness (Connector Location)
CA	34	Instrument Panel Wire and Center J/B (Instrument Panel Reinforcement RH)
CB		
CC		
CD		
CF		
CJ	35	
CK		
DA	30	Instrument Panel Wire and Driver Side J/B (Left Side of the Instrument Panel)
DB		
DC		
DJ		
DM	31	Floor Wire and Driver Side J/B (Left Side of the Instrument Panel)

Wireless Door Lock Control (LHD)

 : Connector Joining Wire Harness and Wire Harness

Code	See Page	Joining Wire Harness and Wire Harness (Connector Location)
IA1	86 (LHD)	Front Door LH Wire and Instrument Panel Wire (Left Kick Panel)
IA2		
IC1	86 (LHD)	Instrument Panel Wire and Floor Wire (Left Kick Panel)
IC2		
IL1	88 (LHD)	Front Door RH Wire and Instrument Panel Wire (Right Kick Panel)
IM1	88 (LHD)	Instrument Panel Wire and Floor No.2 Wire (Right Kick Panel)
IM2		
BA1	90 (LHD S/D)	Rear Door No.2 Wire and Floor Wire (Under the Left Center Pillar)
	92 (LHD L/B)	
	94 (LHD W/G)	
BC1	90 (LHD S/D)	Rear Door No.1 Wire and Floor No.2 Wire (Under the Right Center Pillar)
	92 (LHD L/B)	
	94 (LHD W/G)	
BD2	92 (LHD L/B)	Back Door No.1 Wire and Floor Wire (Under the Left Quarter Pillar)
BE2	92 (LHD L/B)	Back Door No.2 Wire and Back Door No.1 Wire (Back Door Upper Left)
BF2	94 (LHD W/G)	Back Door No.1 Wire and Floor Wire (Under the Left Quarter Pillar)
BG2	94 (LHD W/G)	Back Door No.1 Wire and Back Door No.2 Wire (Back Door Left)

 : Ground Points

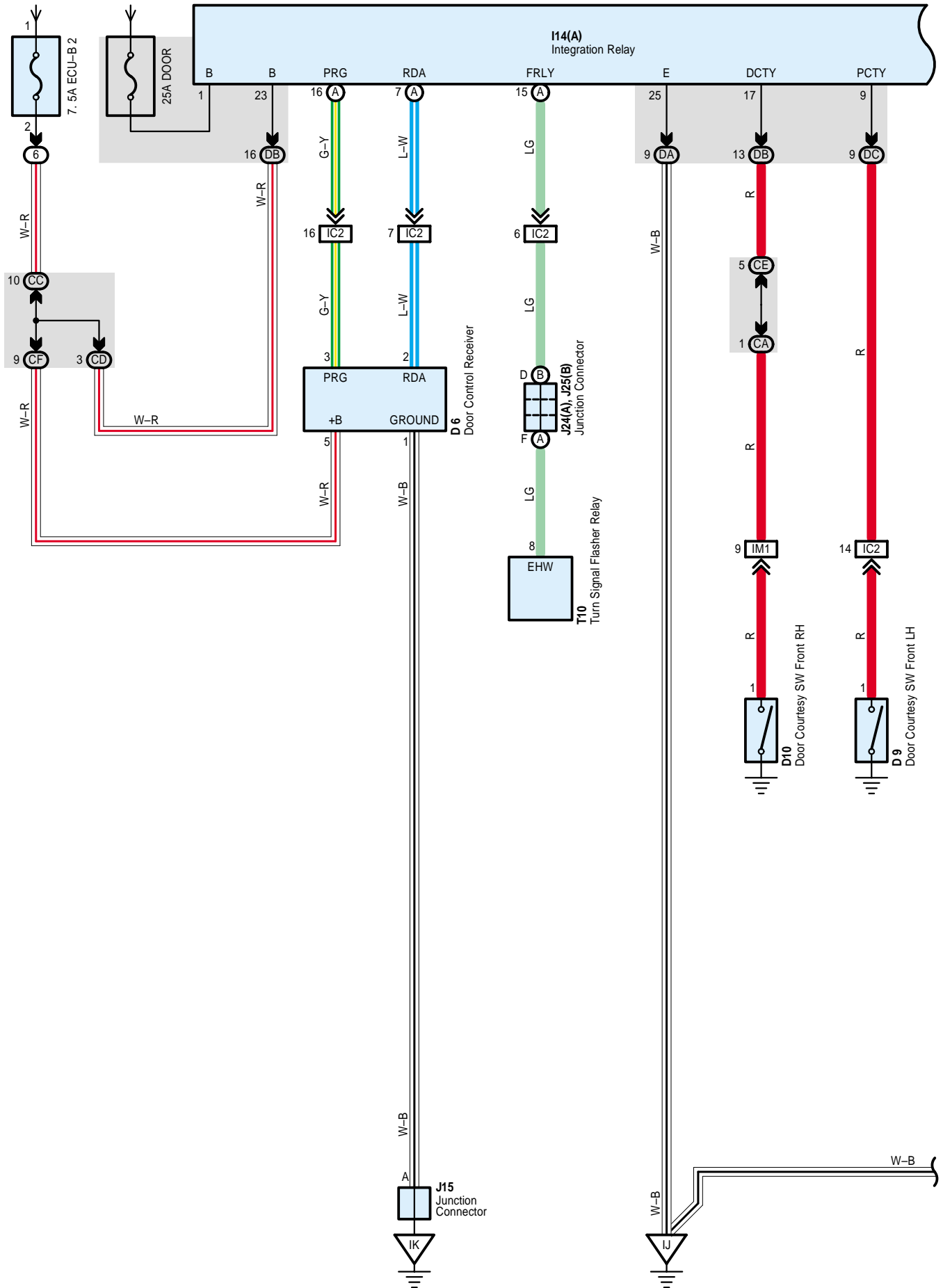
Code	See Page	Ground Points Location
IJ	86 (LHD)	Left Kick Panel
IL	86 (LHD)	Behind the Combination Meter
IO	86 (LHD)	Instrument Panel Reinforcement RH
IP	86 (LHD)	Right Kick Panel
BS	90 (LHD S/D)	Lower Back Panel Left
BX	92 (LHD L/B)	Right Side of the Back Door
	94 (LHD W/G)	

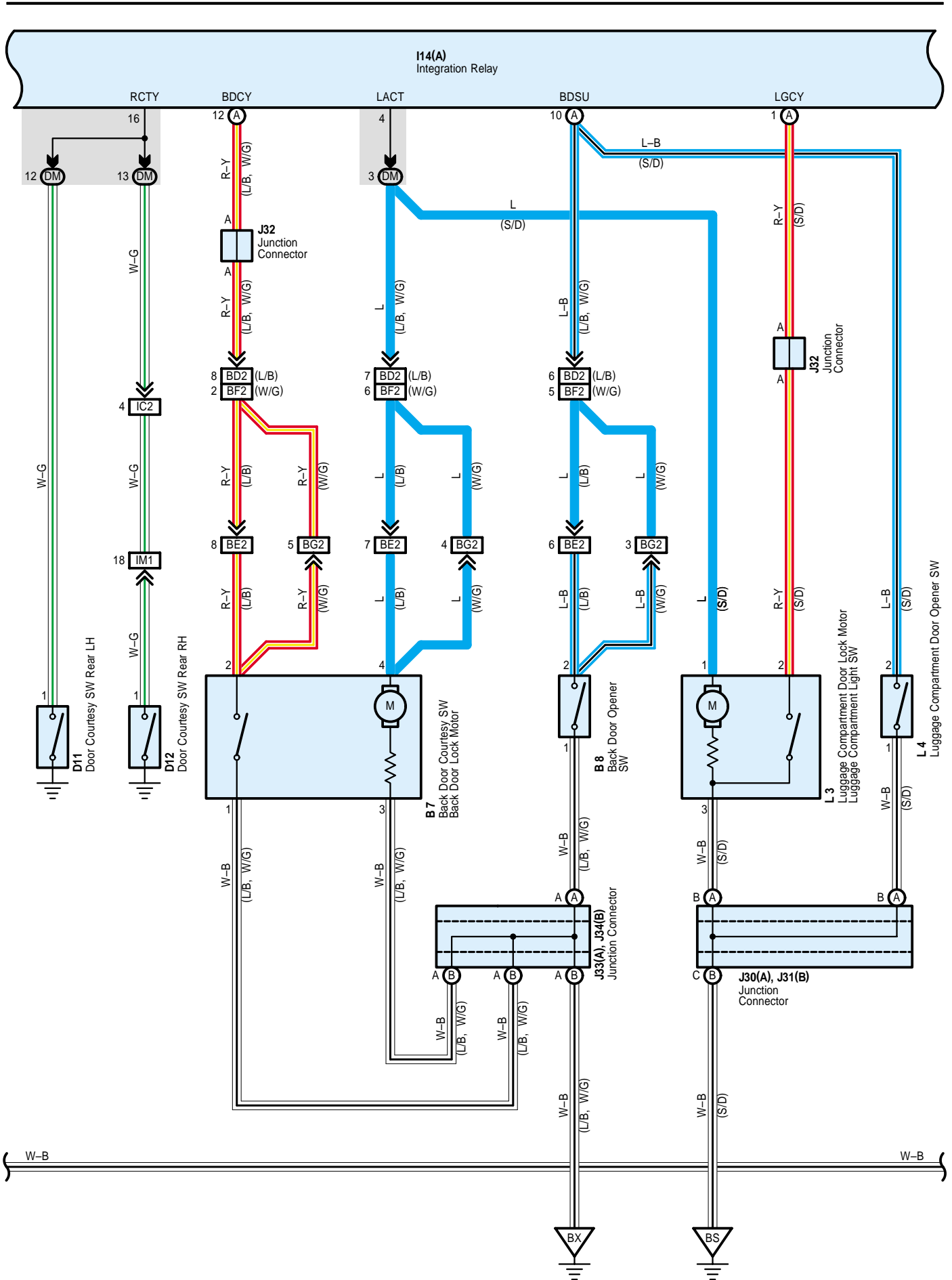
 : Splice Points

Code	See Page	Wire Harness with Splice Points	Code	See Page	Wire Harness with Splice Points
B1	90 (LHD S/D)	Front Door LH Wire	B1	94 (LHD W/G)	Front Door LH Wire
	92 (LHD L/B)				

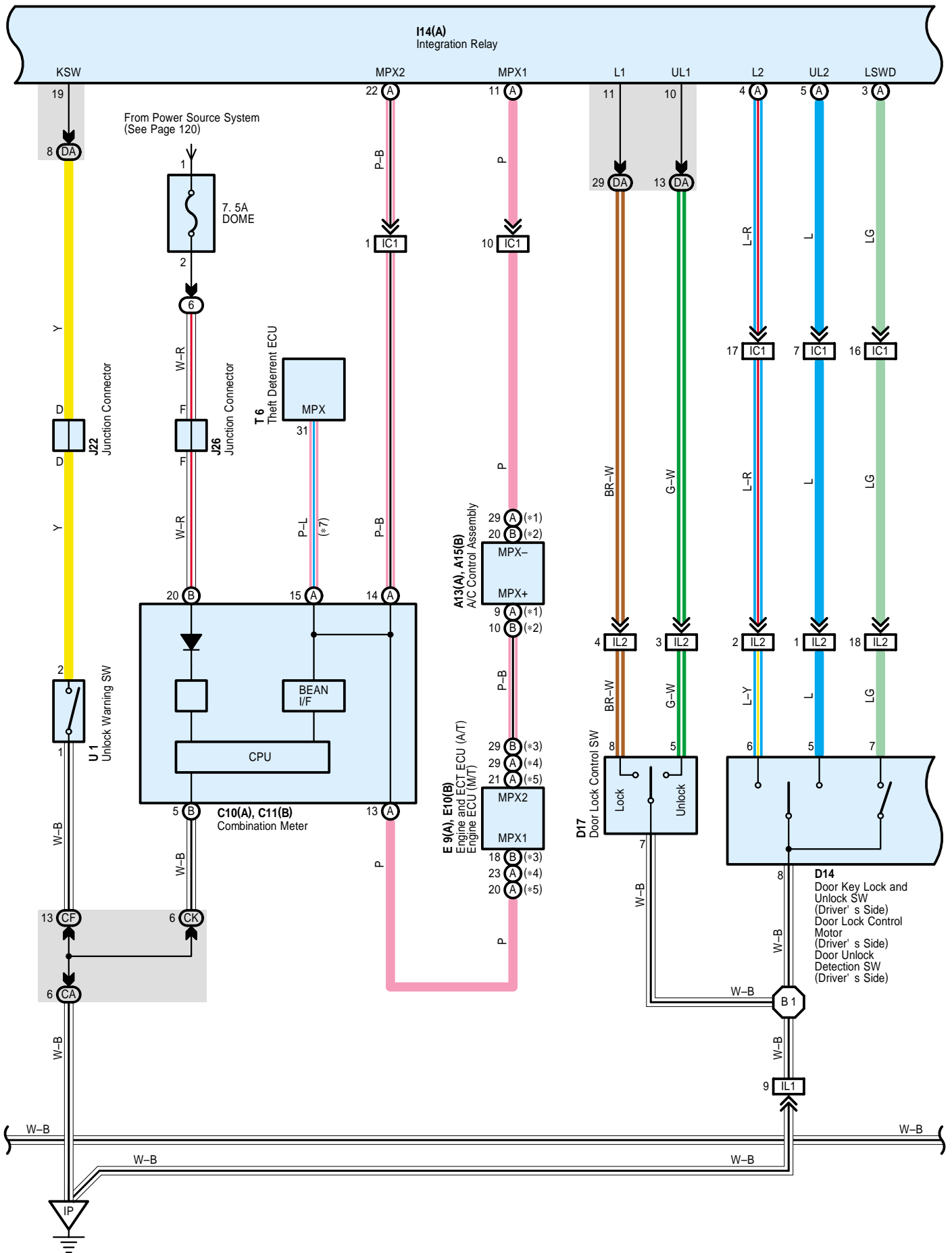
Wireless Door Lock Control (RHD)

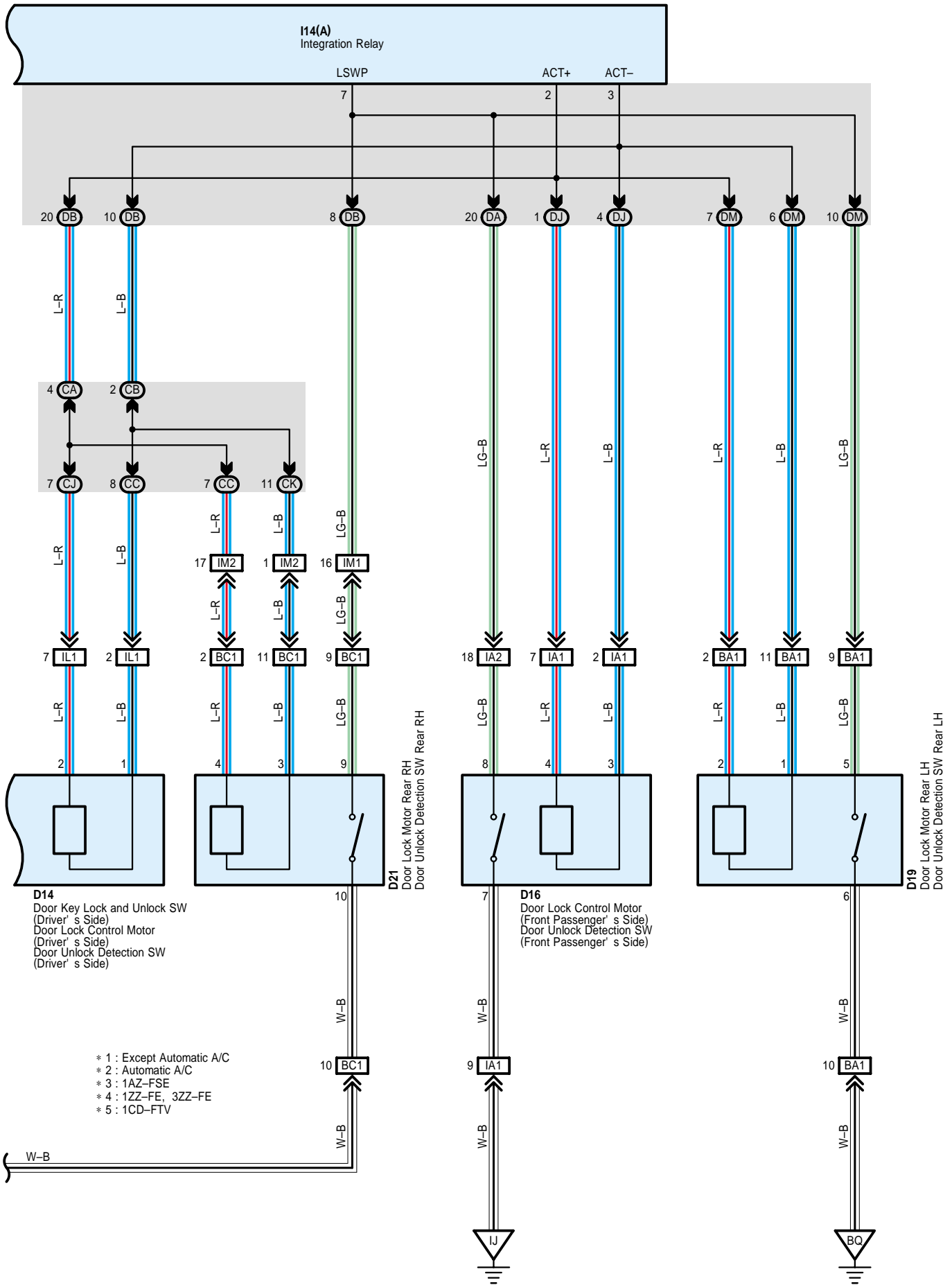
From Power Source System (See Page 120)





Wireless Door Lock Control (RHD)





Wireless Door Lock Control (RHD)

System Outline

The current is always sent from DOOR fuse to TERMINAL 1 of the integration relay. At the same time, the current is always sent from ECU-B 2 fuse to TERMINAL 5 of the door control receiver.

1. Wireless Door Lock or Unlock Normal Operation

- * Lock operation
When the LOCK SW of the transmitter is pushed, all the doors are locked.
- * Unlock operation
When the UNLOCK SW of the transmitter is pushed, all the doors are unlocked.
- * Luggage door unlock operation (S/D)
When the luggage door unlock SW is pushed, the luggage door is unlocked.
- * Back door unlock operation (L/B, W/G)
When the back door unlock SW is pushed, the back door is unlocked.

2. Automatic Lock Operation

If the door is not actually opened within approx. 30 sec. after the door has been unlocked by pushing the UNLOCK SW of the transmitter, unless each of the doors is opened or the ignition key is inserted, all the doors are locked again.

3. Visual Confirmation of Lock or Unlock Function

When doors are locked by using the transmitter, the hazard warning lights blink once. When doors are unlocked by using the transmitter, the hazard warning lights blink twice.

4. Wireless Control Stop Function

If the following situations occur, wireless door lock function does not operate.

Lock operation

- * When each of the doors opens. (Door courtesy SW is on)
- * When ignition key is inserted to ignition SW. (Unlock warning SW is on)
- * When ignition SW is on.

Unlock operation

- * When ignition SW is on.
- * When ignition key is inserted to ignition SW. (Unlock warning SW is on)

5. Repeat Function

If the doors are not locked after the lock signal is out put from transmitter by pushing LOCK SW, the lock signal is sent again to lock the doors.

Service Hints

Integration Relay

- 23, 1-Ground : Always approx. 12 volts
- 25-Ground : Always continuity

U1 Unlock Warning SW

- 2-1 : Closed with the ignition key in cylinder

D6 Door Control Receiver

- 5-Ground : Always approx. 12 volts
- 1-Ground : Always continuity

○ : Parts Location

Code		See Page	Code		See Page	Code		See Page
A13	A	66 (RHD)	D12		74 (RHD W/G)	J22		68 (RHD)
A15	B	66 (RHD)	D14		70 (RHD S/D)	J24	A	68 (RHD)
B7		72 (RHD L/B)			72 (RHD L/B)	J25	B	68 (RHD)
		74 (RHD W/G)			74 (RHD W/G)	J26		68 (RHD)
B8		72 (RHD L/B)	D16		70 (RHD S/D)	J30	A	71 (RHD S/D)
		74 (RHD W/G)			72 (RHD L/B)	J31	B	71 (RHD S/D)
C10	A	66 (RHD)			74 (RHD W/G)	J32		71 (RHD S/D)
C11	B	66 (RHD)	D17		70 (RHD S/D)			73 (RHD L/B)
D6		67 (RHD)			72 (RHD L/B)			75 (RHD W/G)
D9		70 (RHD S/D)			74 (RHD W/G)	J33	A	73 (RHD L/B)
		72 (RHD L/B)	D19		70 (RHD S/D)		75 (RHD W/G)	
		74 (RHD W/G)			72 (RHD L/B)	J34	B	73 (RHD L/B)
D10		70 (RHD S/D)			74 (RHD W/G)			75 (RHD W/G)
		72 (RHD L/B)	D21		70 (RHD S/D)	L3	71 (RHD S/D)	
		74 (RHD W/G)			72 (RHD L/B)	L4	71 (RHD S/D)	
	70 (RHD S/D)			74 (RHD W/G)	T6	69 (RHD)		
D11		72 (RHD L/B)	E9	A	67 (RHD)	T10	69 (RHD)	
		74 (RHD W/G)	E10	B	67 (RHD)	U1	69 (RHD)	
	D12		70 (RHD S/D)	I14	A	67 (RHD)		
		72 (RHD L/B)	J15		68 (RHD)			

○ : Relay Blocks

Code	See Page	Relay Blocks (Relay Block Location)
6	29	Fuse Block (Lower Finish Panel)

○ : Junction Block and Wire Harness Connector

Code	See Page	Junction Block and Wire Harness (Connector Location)
CA	34	Instrument Panel Wire and Center J/B (Instrument Panel Reinforcement RH)
CB		
CC		
CD		
CE		
CF		
CJ	35	
CK		
DA	30	Instrument Panel Wire and Driver Side J/B (Left Side of the Instrument Panel)
DB		
DC		
DJ		
DM	31	Floor Wire and Driver Side J/B (Left Side of the Instrument Panel)

Wireless Door Lock Control (RHD)

: Connector Joining Wire Harness and Wire Harness

Code	See Page	Joining Wire Harness and Wire Harness (Connector Location)
IA1	106 (RHD)	Front Door LH Wire and Instrument Panel Wire (Left Kick Panel)
IA2		
IC1	106 (RHD)	Instrument Panel Wire and Floor Wire (Left Kick Panel)
IC2		
IL1	108 (RHD)	Front Door RH Wire and Instrument Panel Wire (Right Kick Panel)
IL2		
IM1	108 (RHD)	Instrument Panel Wire and Floor No.2 Wire (Right Kick Panel)
IM2		
BA1	110 (RHD S/D)	Rear Door No.2 Wire and Floor Wire (Under the Left Center Pillar)
	112 (RHD L/B)	
	114 (RHD W/G)	
BC1	110 (RHD S/D)	Rear Door No.1 Wire and Floor No.2 Wire (Under the Right Center Pillar)
	112 (RHD L/B)	
	114 (RHD W/G)	
BD2	112 (RHD L/B)	Back Door No.1 Wire and Floor Wire (Under the Left Quarter Pillar)
BE2	112 (RHD L/B)	Back Door No.2 Wire and Back Door No.1 Wire (Back Door Upper Left)
BF2	114 (RHD W/G)	Back Door No.1 Wire and Floor Wire (Under the Left Quarter Pillar)
BG2	114 (RHD W/G)	Back Door No.1 Wire and Back Door No.2 Wire (Back Door Left)

: Ground Points

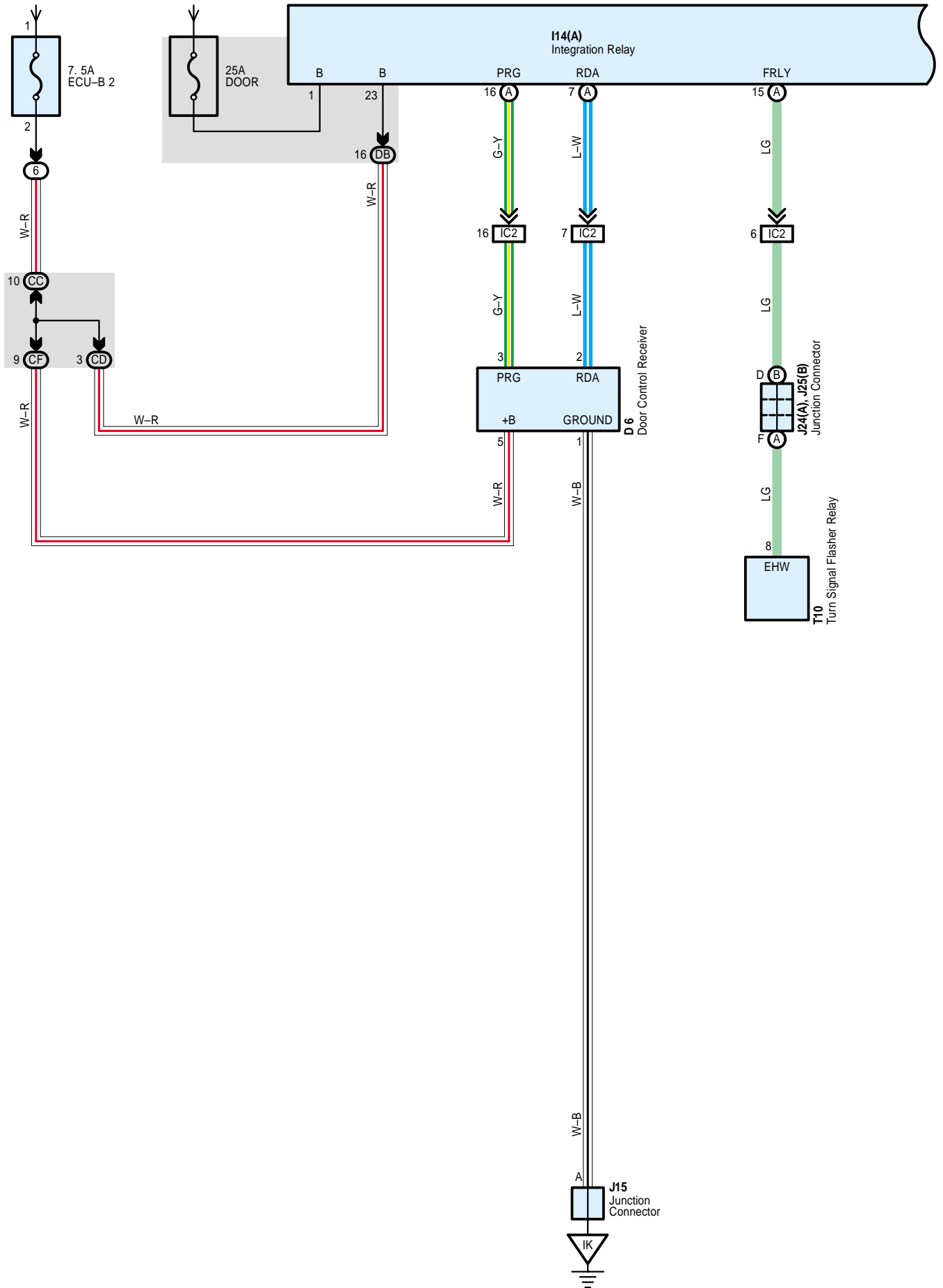
Code	See Page	Ground Points Location
IJ	106 (RHD)	Left Kick Panel
IK	106 (RHD)	Behind the Combination Meter
IP	106 (RHD)	Right Kick Panel
BQ	110 (RHD S/D)	Under the Left Center Pillar
	112 (RHD L/B)	
	114 (RHD W/G)	
BS	110 (RHD S/D)	Lower Back Panel Left
BX	112 (RHD L/B)	Right Side of the Back Door
	114 (RHD W/G)	

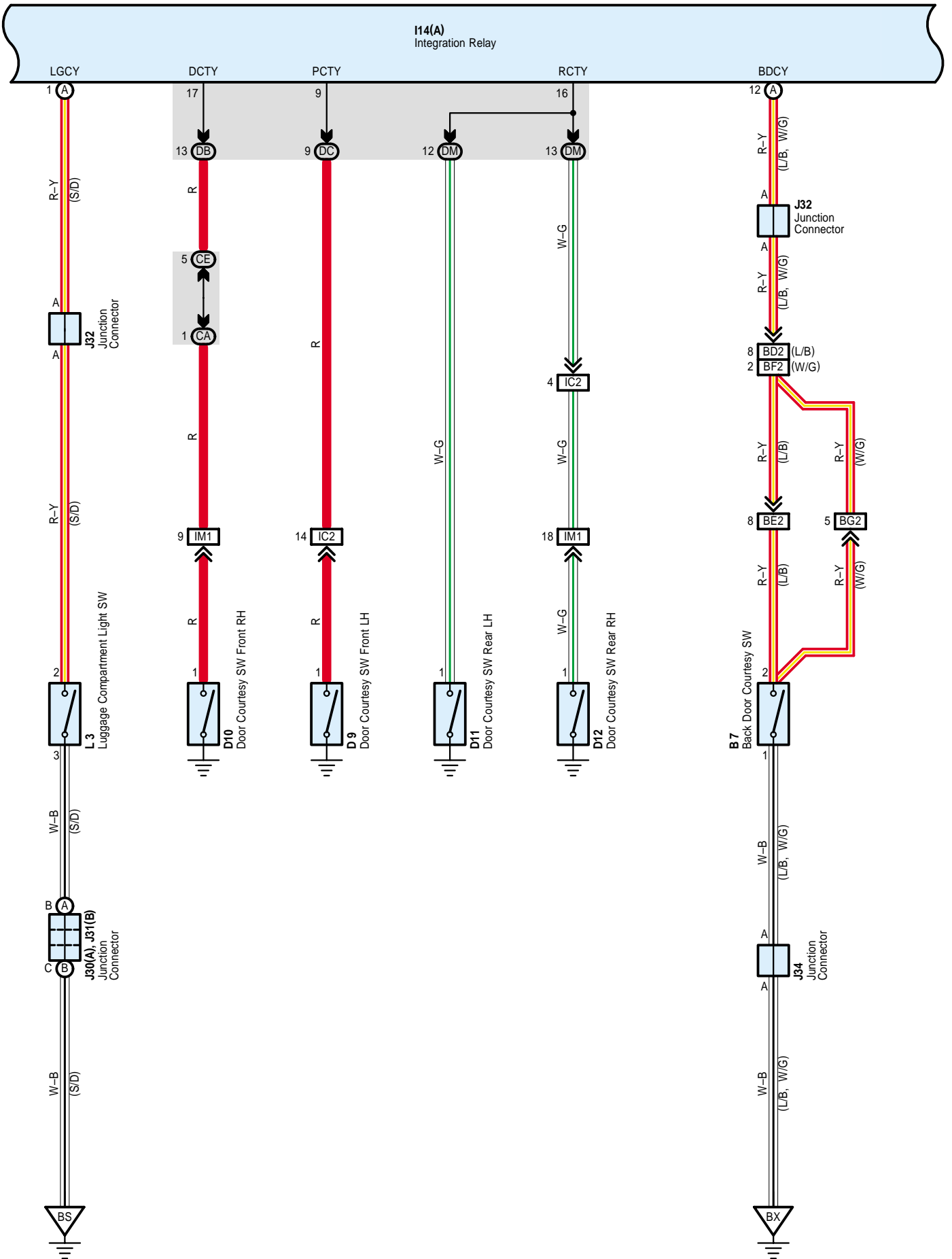
: Splice Points

Code	See Page	Wire Harness with Splice Points	Code	See Page	Wire Harness with Splice Points
B1	110 (RHD S/D)	Front Door LH Wire	B1	114 (RHD W/G)	Front Door LH Wire
	112 (RHD L/B)				

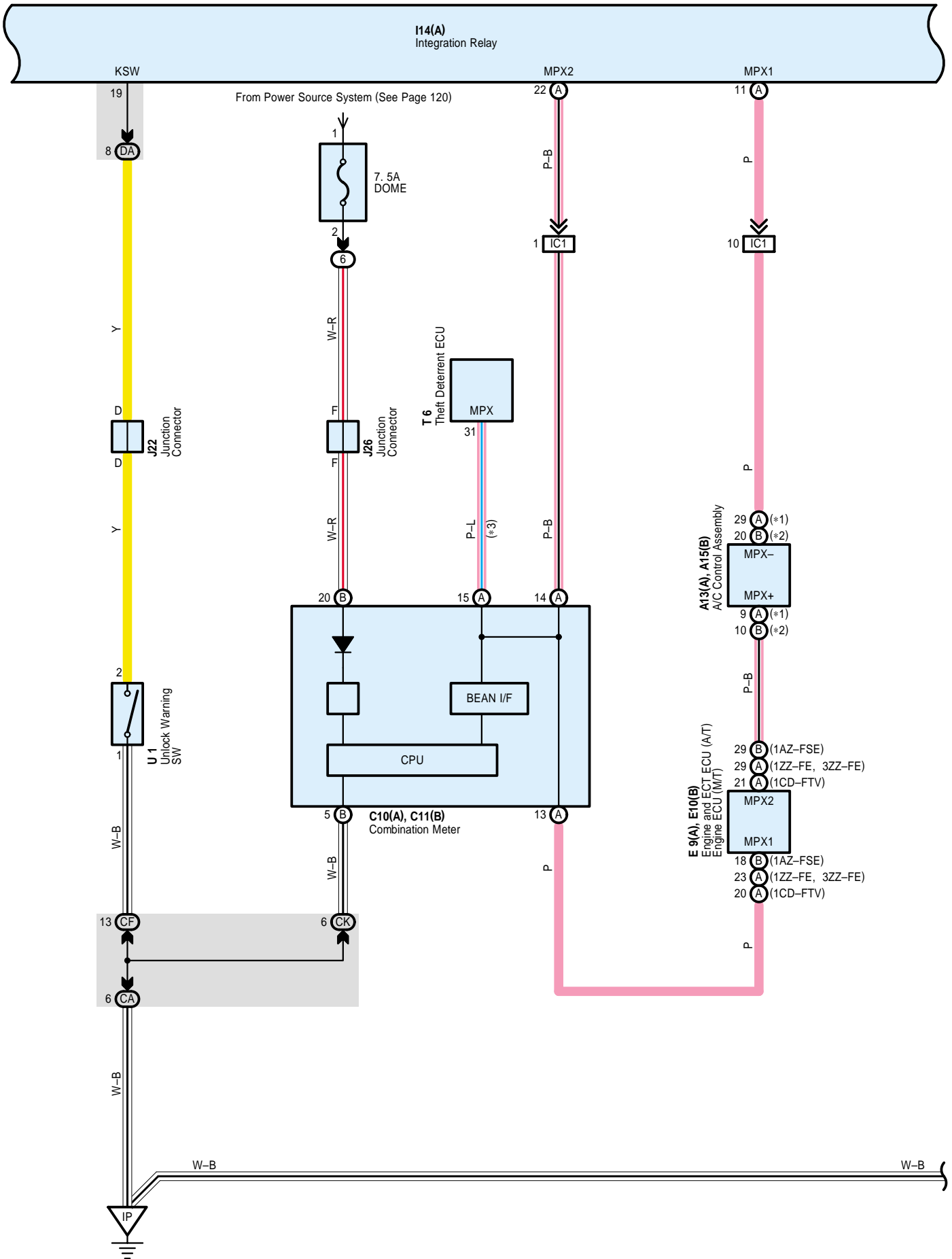
Double Locking

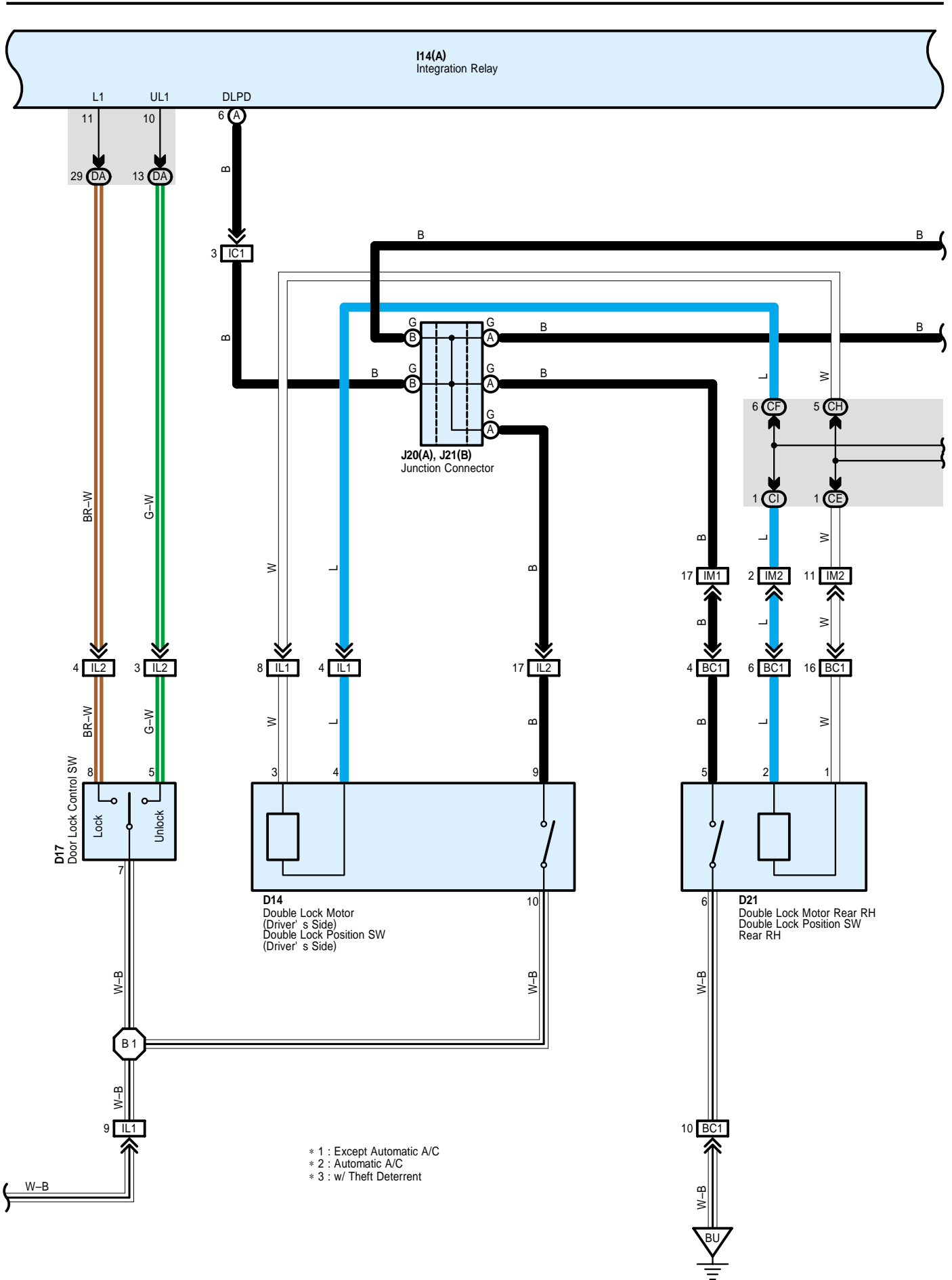
From Power Source System (See Page 120)



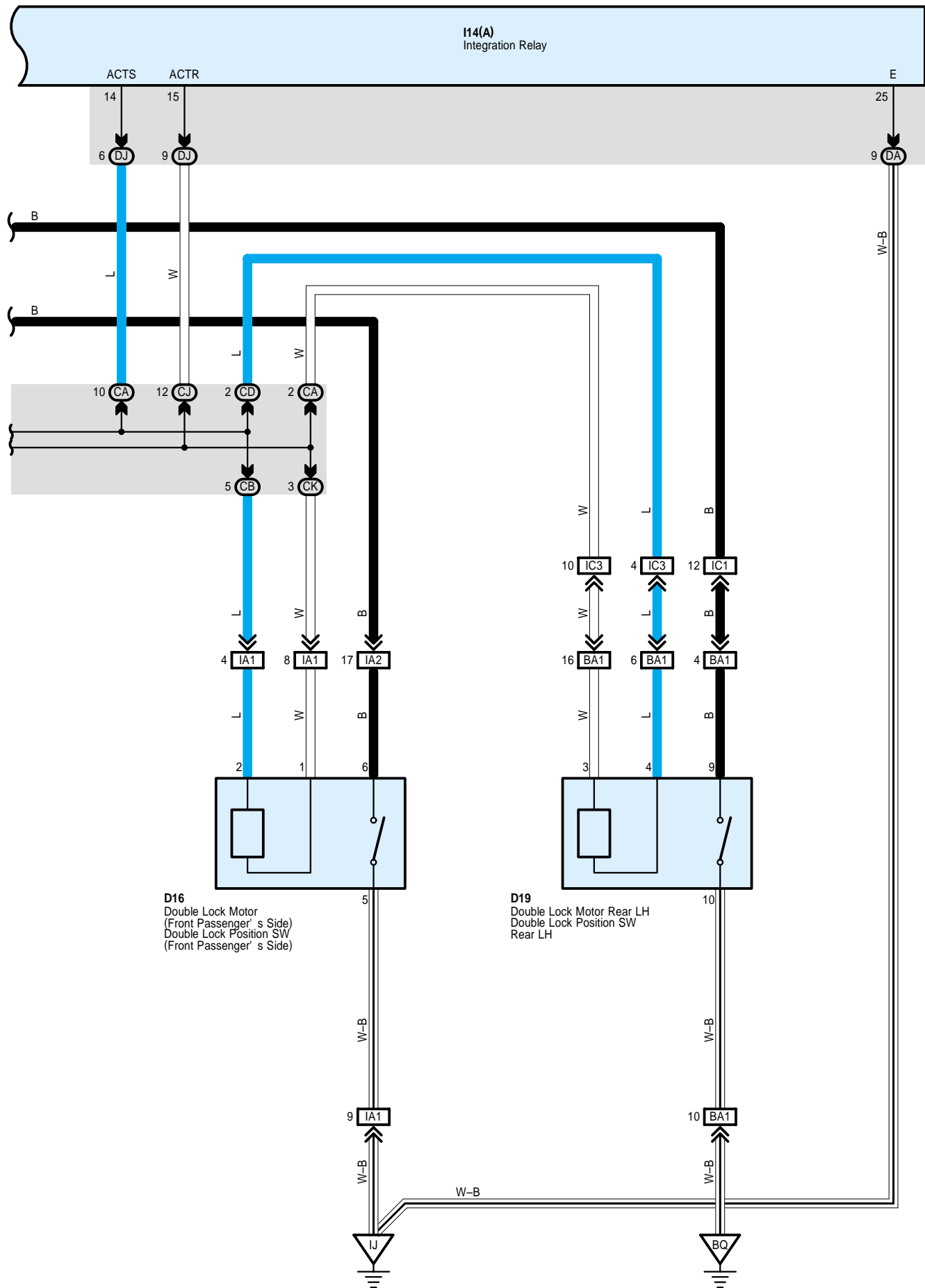


Double Locking





Double Locking



Service Hints

Integration Relay

- 1, 23–Ground : Always approx. 12 volts
- 25–Ground : Always continuity

○ : Parts Location

Code		See Page	Code		See Page	Code		See Page
A13	A	66 (RHD)	D14	70 (RHD S/D)	J20	A	68 (RHD)	
A15	B	66 (RHD)		72 (RHD L/B)	J21	B	68 (RHD)	
B7		72 (RHD L/B)		74 (RHD W/G)	J22		68 (RHD)	
		74 (RHD W/G)	D16	70 (RHD S/D)	J24	A	68 (RHD)	
C10	A	66 (RHD)		72 (RHD L/B)	J25	B	68 (RHD)	
C11	B	66 (RHD)		74 (RHD W/G)	J26		68 (RHD)	
D6		67 (RHD)	D17	70 (RHD S/D)	J30	A	71 (RHD S/D)	
D9		70 (RHD S/D)		72 (RHD L/B)	J31	B	71 (RHD S/D)	
		72 (RHD L/B)		74 (RHD W/G)	J32		71 (RHD S/D)	
		74 (RHD W/G)	D19	70 (RHD S/D)			73 (RHD L/B)	
D10		70 (RHD S/D)		72 (RHD L/B)	J34	75 (RHD W/G)		
		72 (RHD L/B)		74 (RHD W/G)		73 (RHD L/B)		
		74 (RHD W/G)	D21	70 (RHD S/D)	L3	71 (RHD S/D)		
D11		70 (RHD S/D)		72 (RHD L/B)	T6	69 (RHD)		
		72 (RHD L/B)		74 (RHD W/G)	T10	69 (RHD)		
		74 (RHD W/G)	E9	A	67 (RHD)			
D12		70 (RHD S/D)	E10	B	67 (RHD)	U1	69 (RHD)	
		72 (RHD L/B)	I14	A	67 (RHD)			
		74 (RHD W/G)	J15		68 (RHD)			

○ : Relay Blocks

Code	See Page	Relay Blocks (Relay Block Location)
6	29	Fuse Block (Lower Finish Panel)

○ : Junction Block and Wire Harness Connector

Code	See Page	Junction Block and Wire Harness (Connector Location)
CA	34	Instrument Panel Wire and Center J/B (Instrument Panel Reinforcement RH)
CB		
CC		
CD		
CE		
CF		
CH	35	Instrument Panel Wire and Driver Side J/B (Left Side of the Instrument Panel)
CI		
CJ		
CK	30	Instrument Panel Wire and Driver Side J/B (Left Side of the Instrument Panel)
DA		
DB		
DC		
DJ	31	Floor Wire and Driver Side J/B (Left Side of the Instrument Panel)
DM		

Double Locking

 : Connector Joining Wire Harness and Wire Harness

Code	See Page	Joining Wire Harness and Wire Harness (Connector Location)
IA1	106 (RHD)	Front Door LH Wire and Instrument Panel Wire (Left Kick Panel)
IA2		
IC1	106 (RHD)	Instrument Panel Wire and Floor Wire (Left Kick Panel)
IC2		
IC3		
IL1	108 (RHD)	Front Door RH Wire and Instrument Panel Wire (Right Kick Panel)
IL2		
IM1	108 (RHD)	Instrument Panel Wire and Floor No.2 Wire (Right Kick Panel)
IM2		
BA1	110 (RHD S/D)	Rear Door No.2 Wire and Floor Wire (Under the Left Center Pillar)
	112 (RHD L/B)	
	114 (RHD W/G)	
BC1	110 (RHD S/D)	Rear Door No.1 Wire and Floor No.2 Wire (Under the Right Center Pillar)
	112 (RHD L/B)	
	114 (RHD W/G)	
BD2	112 (RHD L/B)	Back Door No.1 Wire and Floor Wire (Under the Left Quarter Pillar)
BE2	112 (RHD L/B)	Back Door No.2 Wire and Back Door No.1 Wire (Back Door Upper Left)
BF2	114 (RHD W/G)	Back Door No.1 Wire and Floor Wire (Under the Left Quarter Pillar)
BG2	114 (RHD W/G)	Back Door No.1 Wire and Back Door No.2 Wire (Back Door Left)

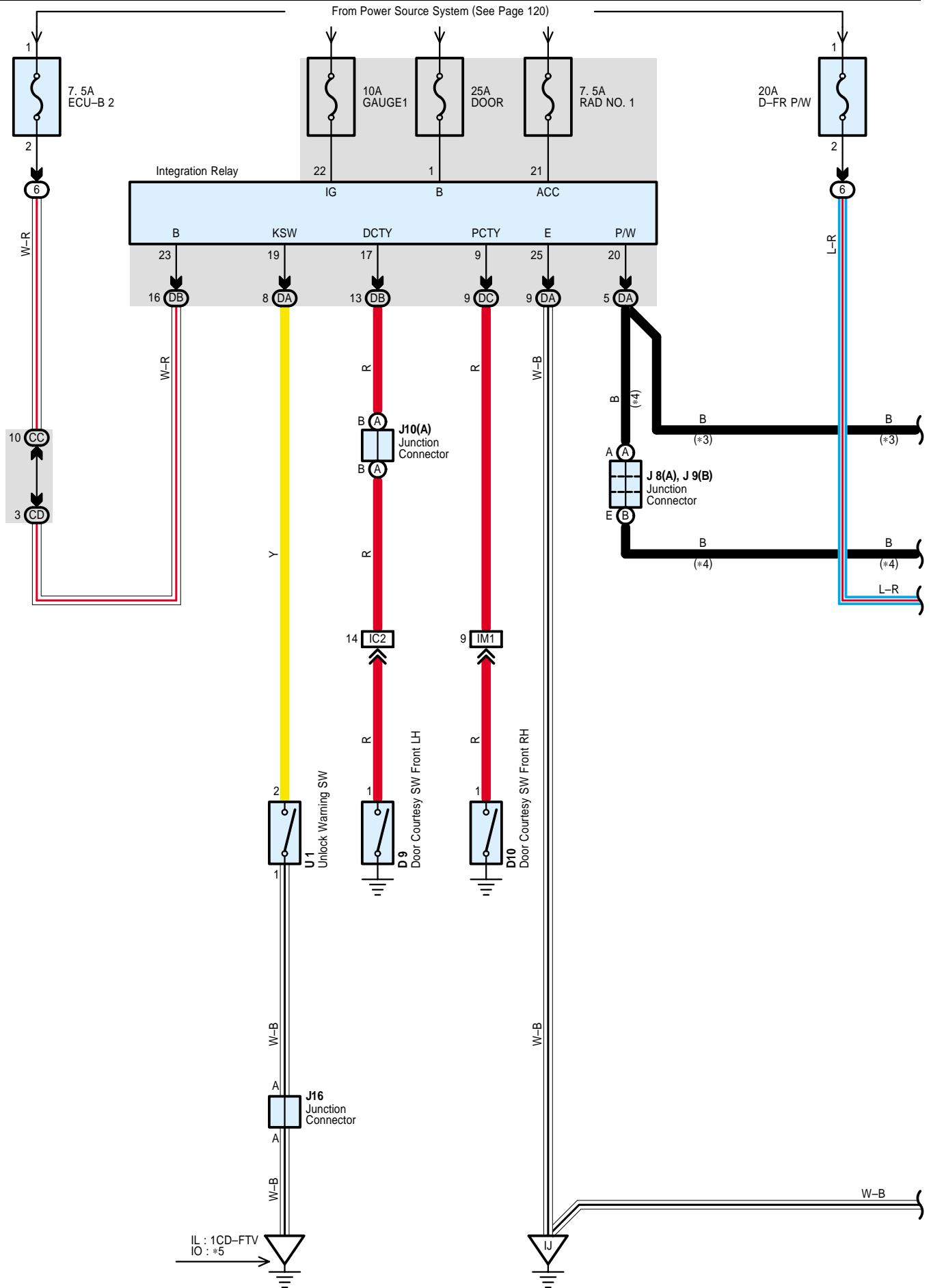
 : Ground Points

Code	See Page	Ground Points Location
IJ	106 (RHD)	Left Kick Panel
IK	106 (RHD)	Behind the Combination Meter
IP	106 (RHD)	Right Kick Panel
BQ	110 (RHD S/D)	Under the Left Center Pillar
	112 (RHD L/B)	
	114 (RHD W/G)	
BS	110 (RHD S/D)	Lower Back Panel Left
BU	110 (RHD S/D)	Under the Right Center Pillar
	112 (RHD L/B)	
	114 (RHD W/G)	
BX	112 (RHD L/B)	Right Side of the Back Door
	114 (RHD W/G)	

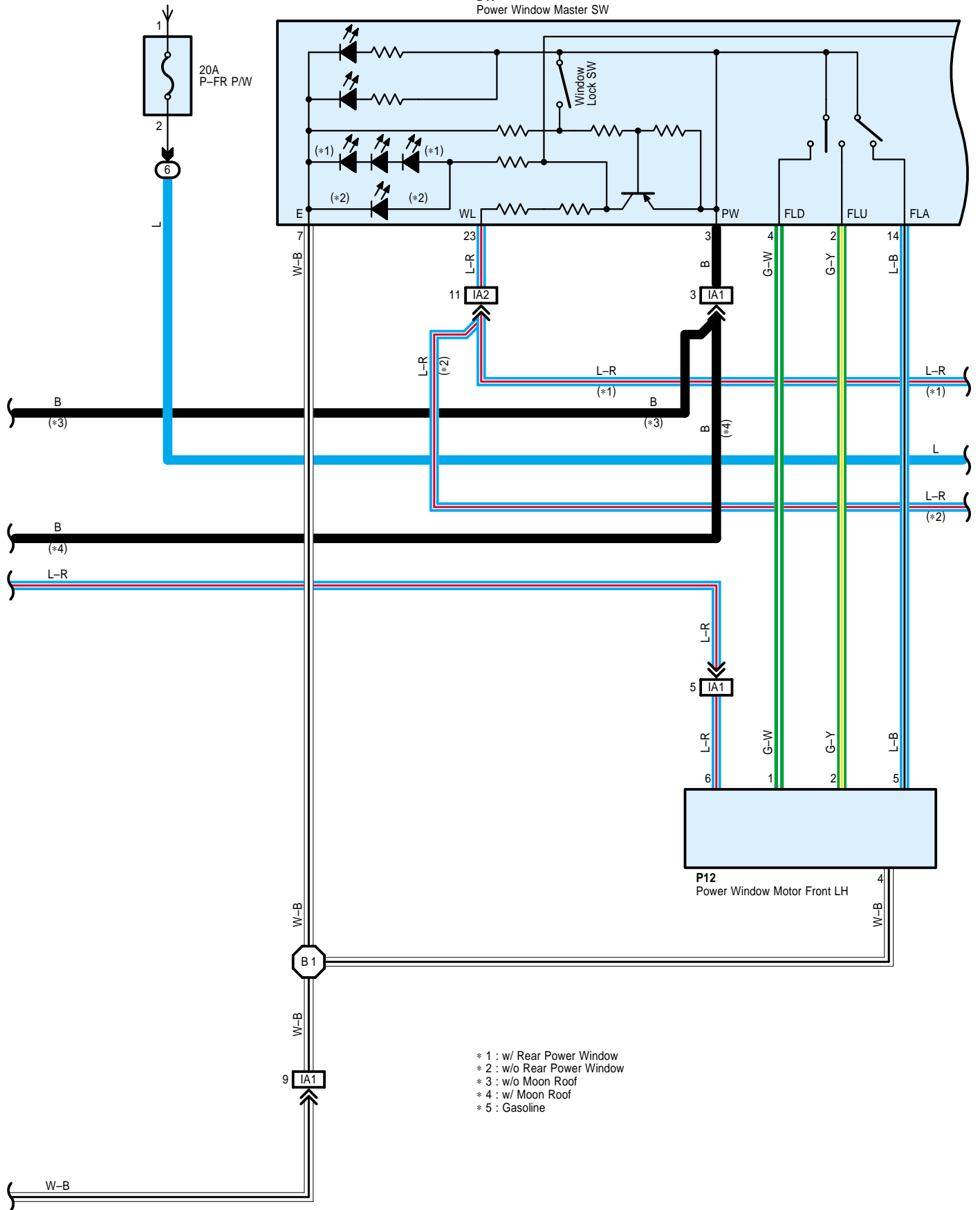
 : Splice Points

Code	See Page	Wire Harness with Splice Points	Code	See Page	Wire Harness with Splice Points
B1	110 (RHD S/D)	Front Door LH Wire	B1	114 (RHD W/G)	Front Door LH Wire
	112 (RHD L/B)				

Power Window (LHD)



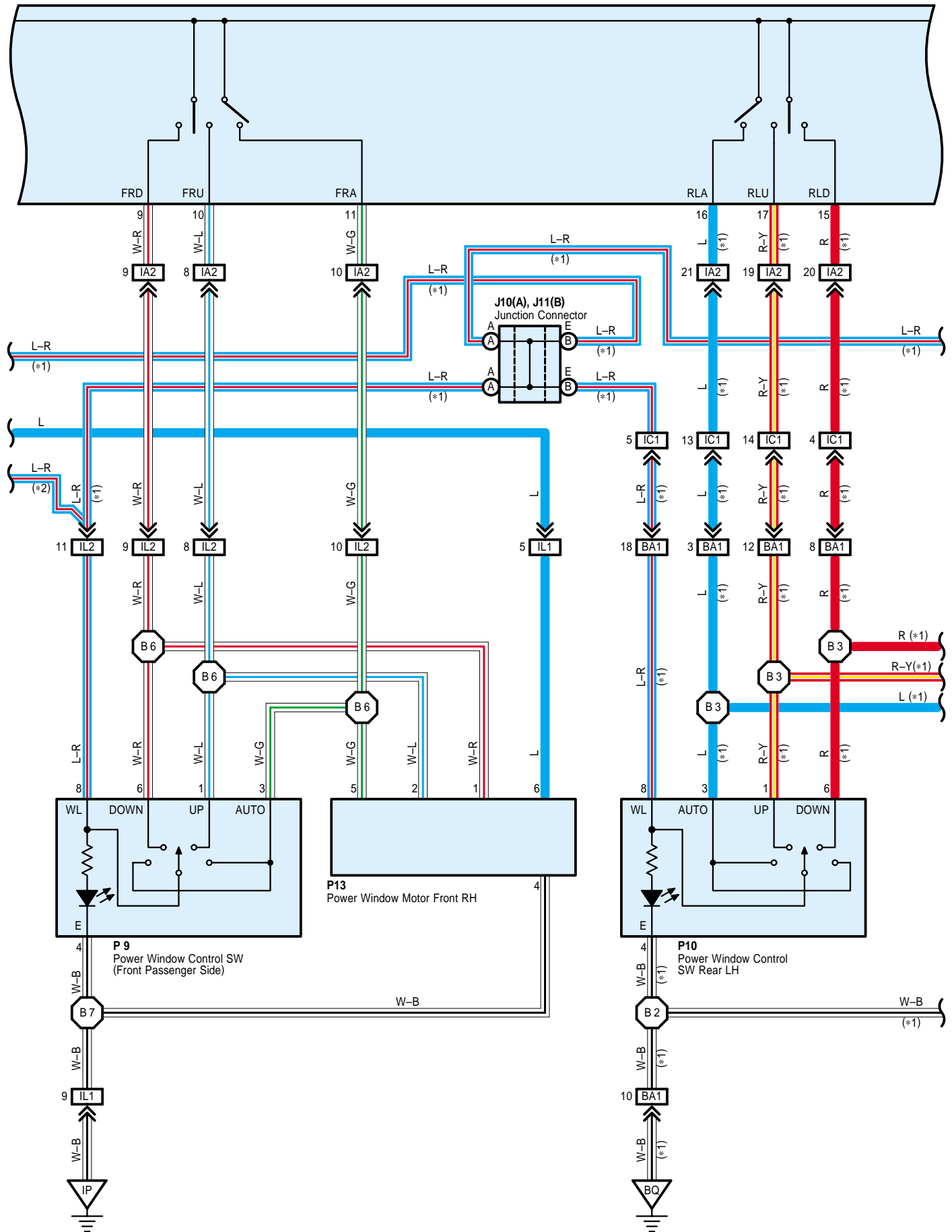
D17
Power Window Master SW



- * 1 : w/ Rear Power Window
- * 2 : w/o Rear Power Window
- * 3 : w/o Moon Roof
- * 4 : w/ Moon Roof
- * 5 : Gasoline

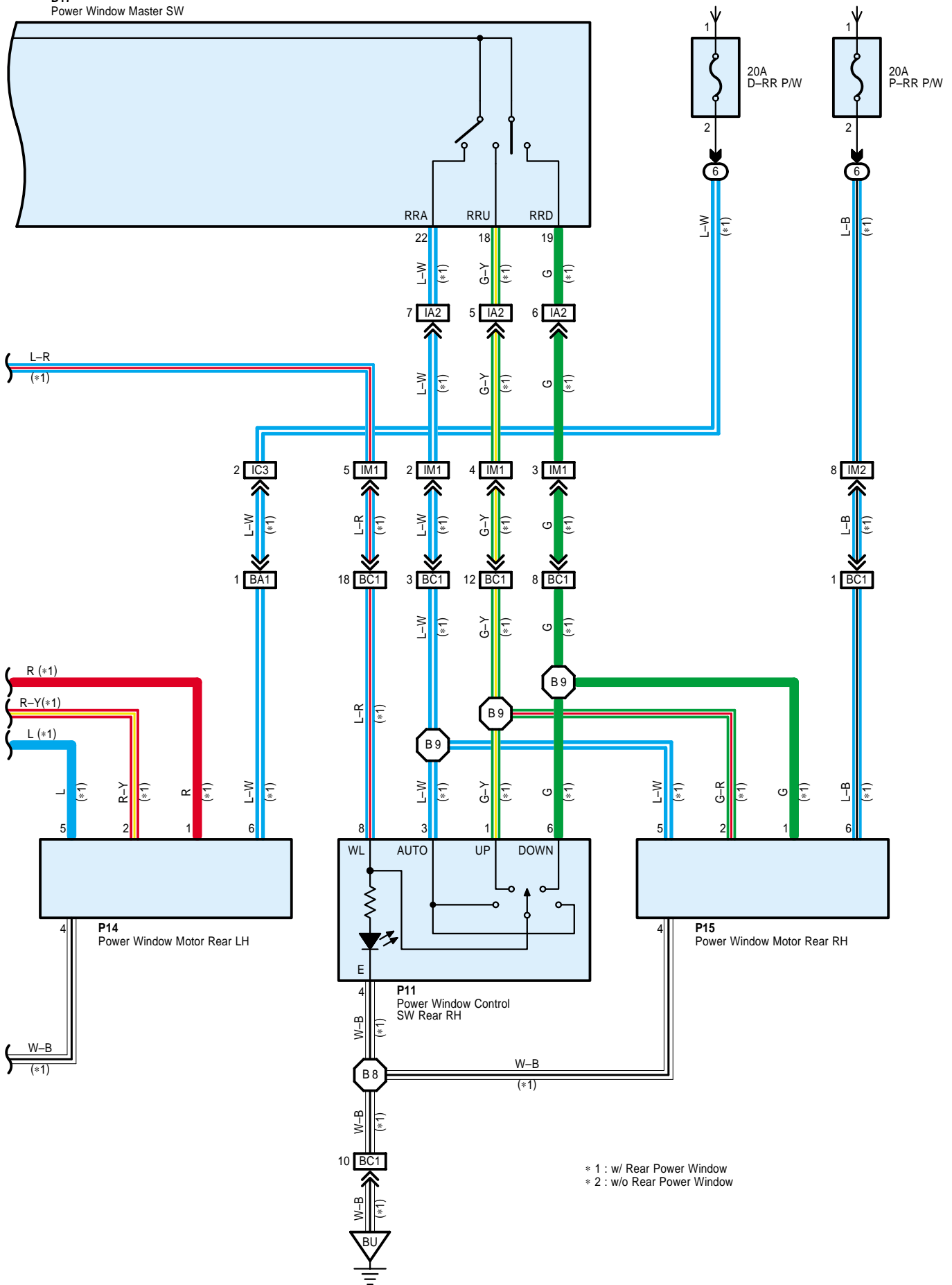
Power Window (LHD)

D17
Power Window Master SW



D17
Power Window Master SW

From Power Source System (See Page 120)



* 1 : w/ Rear Power Window
* 2 : w/o Rear Power Window

Power Window (LHD)

System Outline

1. Manual Down or Up Operation

When the power window master SW is pushed one step, the motor rotates to open the window.

When the power window master SW is pulled up one step, the motor rotates in the opposite direction, to close the window.

All the other windows can be opened/closed as well, by the operation of the power window master SW or respective power window SW.

When the window lock SW is pushed to the lock side, the ground circuit to the passenger's window becomes open. As a result, even if Open/Close operation of the passenger's window is attempted, the current from TERMINAL E of the power window master SW is not grounded and the motor does not rotate, so the passenger's window can not be operated and window lock occurs.

2. Auto Down or Up Operation

When the power window master SW or respective power window SW is pushed two steps, the motor rotates to open the window automatically.

When the power window master SW or respective power window SW is pulled up two steps, the motor rotates to close the window automatically.

3. Jam Protection Function

When any foreign object gets caught during power window AUTO UP operation, the motor rotates in the opposite direction to open the window.

4. Key Off Power Window Operation

Within approximately 43 sec. after the ignition SW is turned from on to off, the power window can be operated. However, if the driver or front passenger door is opened during this period of time, the power window operation is stopped even through 43 sec. have not elapsed.

Service Hints

D17 Power Window Master SW

7-Ground : Always continuity

3-Ground : Approx. 12 volts with the ignition SW at ON position

Integration Relay

1-Ground : Always approx. 12 volts

22-Ground : Approx. 12 volts with the ignition SW at ON position

25-Ground : Always continuity

○ : Parts Location

Code	See Page	Code	See Page	Code	See Page	
D9	50 (LHD S/D)	J11	A	48 (LHD)	P12	
	52 (LHD L/B)	J16		48 (LHD)		53 (LHD L/B)
	54 (LHD W/G)			51 (LHD S/D)	55 (LHD W/G)	
D10	50 (LHD S/D)	P9		53 (LHD L/B)	P13	
	52 (LHD L/B)			55 (LHD W/G)		53 (LHD L/B)
	54 (LHD W/G)				51 (LHD S/D)	55 (LHD W/G)
D17	50 (LHD S/D)	P10		53 (LHD L/B)	P14	
	52 (LHD L/B)			55 (LHD W/G)		53 (LHD L/B)
	54 (LHD W/G)				51 (LHD S/D)	55 (LHD W/G)
J8	A	P11		53 (LHD L/B)	P15	
J9	B			55 (LHD W/G)		51 (LHD S/D)
J10	A				51 (LHD S/D)	53 (LHD L/B)
		P12		51 (LHD S/D)	55 (LHD W/G)	
					U1	49 (LHD)

○ : Relay Blocks

Code	See Page	Relay Blocks (Relay Block Location)
6	29	Fuse Block (Lower Finish Panel)

 : **Junction Block and Wire Harness Connector**

Code	See Page	Junction Block and Wire Harness (Connector Location)
CC	34	Instrument Panel Wire and Center J/B (Instrument Panel Reinforcement RH)
CD		
DA		
DB	30	Instrument Panel Wire and Driver Side J/B (Left Side of the Instrument Panel)
DC		

 : **Connector Joining Wire Harness and Wire Harness**

Code	See Page	Joining Wire Harness and Wire Harness (Connector Location)
IA1	86 (LHD)	Front Door LH Wire and Instrument Panel Wire (Left Kick Panel)
IA2		
IC1	86 (LHD)	Instrument Panel Wire and Floor Wire (Left Kick Panel)
IC2		
IC3		
IL1	88 (LHD)	Front Door RH Wire and Instrument Panel Wire (Right Kick Panel)
IL2		
IM1	88 (LHD)	Instrument Panel Wire and Floor No.2 Wire (Right Kick Panel)
IM2		
BA1	90 (LHD S/D)	Rear Door No.2 Wire and Floor Wire (Under the Left Center Pillar)
	92 (LHD L/B)	
	94 (LHD W/G)	
BC1	90 (LHD S/D)	Rear Door No.1 Wire and Floor No.2 Wire (Under the Right Center Pillar)
	92 (LHD L/B)	
	94 (LHD W/G)	

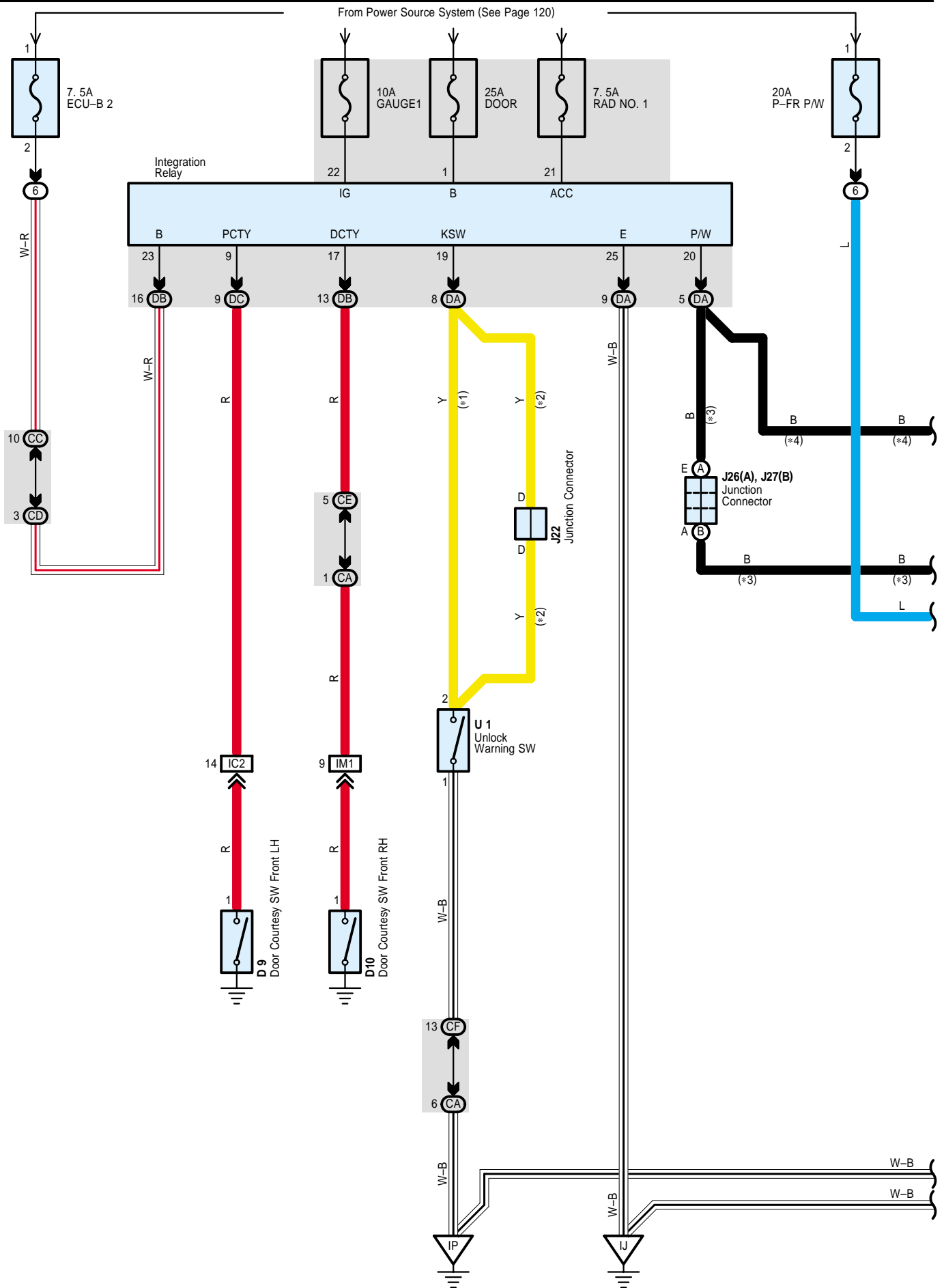
 : **Ground Points**

Code	See Page	Ground Points Location
IJ	86 (LHD)	Left Kick Panel
IL	86 (LHD)	Behind the Combination Meter
IO	86 (LHD)	Instrument Panel Reinforcement RH
IP	86 (LHD)	Right Kick Panel
BQ	90 (LHD S/D)	Under the Left Center Pillar
	92 (LHD L/B)	
	94 (LHD W/G)	
BU	90 (LHD S/D)	Under the Right Center Pillar
	92 (LHD L/B)	
	94 (LHD W/G)	

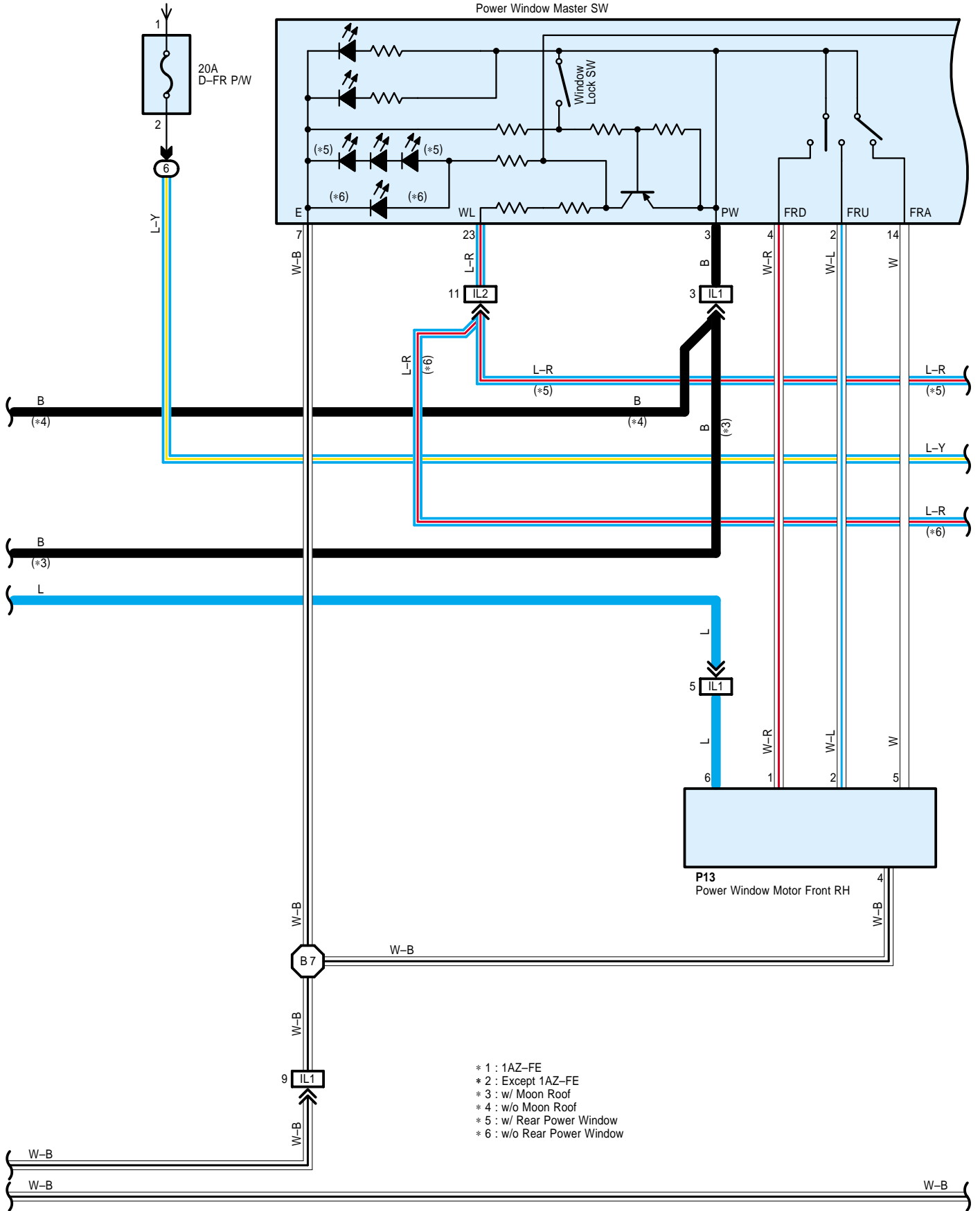
 : **Splice Points**

Code	See Page	Wire Harness with Splice Points	Code	See Page	Wire Harness with Splice Points
B1	90 (LHD S/D)	Front Door LH Wire	B6	94 (LHD W/G)	Front Door RH Wire
	92 (LHD L/B)		B7	90 (LHD S/D)	
	94 (LHD W/G)			92 (LHD L/B)	
B2	90 (LHD S/D)	Rear Door No.2 Wire	B8	90 (LHD S/D)	Rear Door No.1 Wire
	92 (LHD L/B)			92 (LHD L/B)	
	94 (LHD W/G)			94 (LHD W/G)	
B3	90 (LHD S/D)	Front Door RH Wire	B9	90 (LHD S/D)	
	92 (LHD L/B)			92 (LHD L/B)	
	94 (LHD W/G)			94 (LHD W/G)	
B6	90 (LHD S/D)	Front Door RH Wire			
	92 (LHD L/B)				

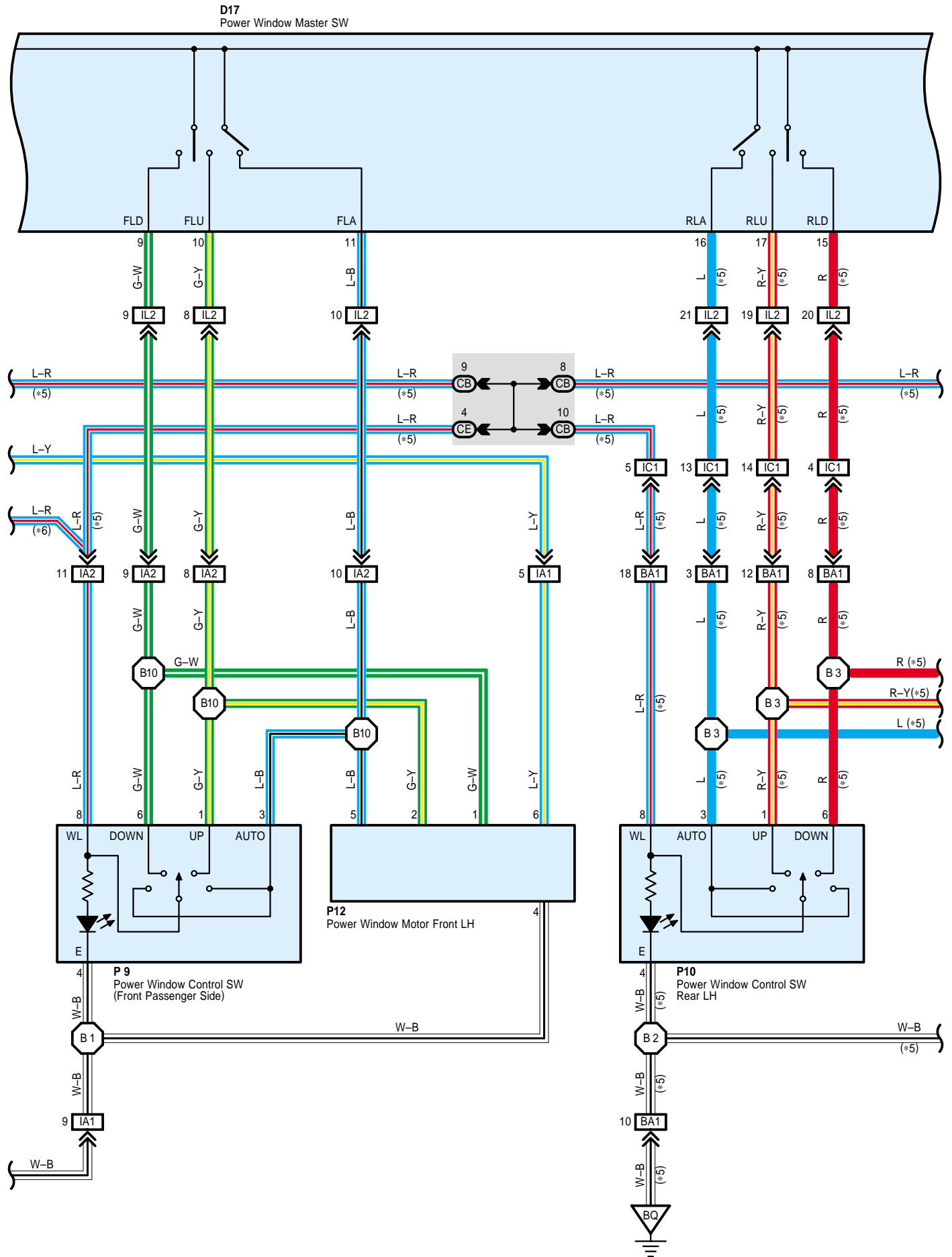
Power Window (RHD)



D17
Power Window Master SW

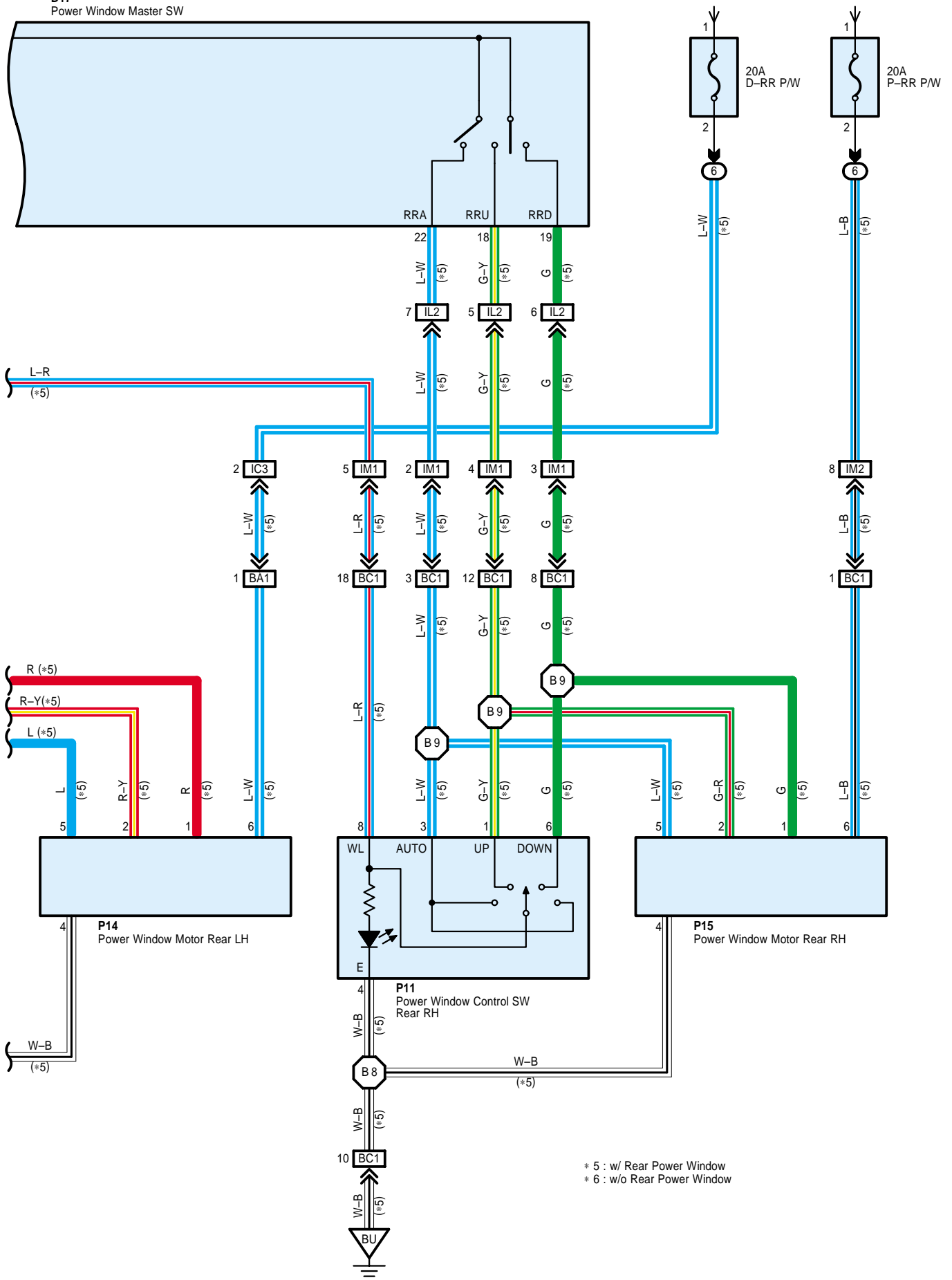


Power Window (RHD)



D17
Power Window Master SW

From Power Source System (See Page 120)



Power Window (RHD)

System Outline

1. Manual Down or Up Operation

When the power window master SW is pushed one step, the motor rotates to open the window.

When the power window master SW is pulled up one step, the motor rotates in the opposite direction, to close the window.

All the other windows can be opened/closed as well, by the operation of the power window master SW or respective power window SW.

When the window lock SW is pushed to the lock side, the ground circuit to the passenger's window becomes open. As a result, even if Open/Close operation of the passenger's window is attempted, the current from TERMINAL E of the power window master SW is not grounded and the motor does not rotate, so the passenger's window can not be operated and window lock occurs.

2. Auto Down or Up Operation

When the power window master SW or respective power window SW is pushed two steps, the motor rotates to open the window automatically.

When the power window master SW or respective power window SW is pulled up two steps, the motor rotates to close the window automatically.

3. Jam Protection Function

When any foreign object gets caught during power window AUTO UP operation, the motor rotates in the opposite direction to open the window.

4. Key Off Power Window Operation

Within approximately 43 sec. after the ignition SW is turned from on to off, the power window can be operated. However, if the driver or front passenger door is opened during this period of time, the power window operation is stopped even through 43 sec. have not elapsed.

Service Hints

D17 Power Window Master SW

7-Ground : Always continuity

3-Ground : Approx. 12 volts with the ignition SW at ON position

Integration Relay

1-Ground : Always approx. 12 volts

22-Ground : Approx. 12 volts with the ignition SW at ON position

25-Ground : Always continuity

○ : Parts Location

Code	See Page	Code	See Page	Code	See Page
D9	70 (RHD S/D)	P9	71 (RHD S/D)	P13	71 (RHD S/D)
	72 (RHD L/B)		73 (RHD L/B)		73 (RHD L/B)
	74 (RHD W/G)		75 (RHD W/G)		75 (RHD W/G)
D10	70 (RHD S/D)	P10	71 (RHD S/D)	P14	71 (RHD S/D)
	72 (RHD L/B)		73 (RHD L/B)		73 (RHD L/B)
	74 (RHD W/G)		75 (RHD W/G)		75 (RHD W/G)
D17	70 (RHD S/D)	P11	71 (RHD S/D)	P15	71 (RHD S/D)
	72 (RHD L/B)		73 (RHD L/B)		73 (RHD L/B)
	74 (RHD W/G)		75 (RHD W/G)		75 (RHD W/G)
J22	68 (RHD)	P12	71 (RHD S/D)	U1	69 (RHD)
J26	A 68 (RHD)		73 (RHD L/B)		
J27	B 68 (RHD)		75 (RHD W/G)		

○ : Relay Blocks

Code	See Page	Relay Blocks (Relay Block Location)
6	29	Fuse Block (Lower Finish Panel)

 : **Junction Block and Wire Harness Connector**

Code	See Page	Junction Block and Wire Harness (Connector Location)
CA	34	Instrument Panel Wire and Center J/B (Instrument Panel Reinforcement RH)
CB		
CC		
CD		
CE		
CF		
DA	30	Instrument Panel Wire and Driver Side J/B (Left Side of the Instrument Panel)
DB		
DC		

 : **Connector Joining Wire Harness and Wire Harness**

Code	See Page	Joining Wire Harness and Wire Harness (Connector Location)
IA1	106 (RHD)	Front Door LH Wire and Instrument Panel Wire (Left Kick Panel)
IA2		
IC1	106 (RHD)	Instrument Panel Wire and Floor Wire (Left Kick Panel)
IC2		
IC3		
IL1	108 (RHD)	Front Door RH Wire and Instrument Panel Wire (Right Kick Panel)
IL2		
IM1	108 (RHD)	Instrument Panel Wire and Floor No.2 Wire (Right Kick Panel)
IM2		
BA1	110 (RHD S/D)	Rear Door No.2 Wire and Floor Wire (Under the Left Center Pillar)
	112 (RHD L/B)	
	114 (RHD W/G)	
BC1	110 (RHD S/D)	Rear Door No.1 Wire and Floor No.2 Wire (Under the Right Center Pillar)
	112 (RHD L/B)	
	114 (RHD W/G)	

 : **Ground Points**

Code	See Page	Ground Points Location
IJ	106 (RHD)	Left Kick Panel
IP	106 (RHD)	Right Kick Panel
BQ	110 (RHD S/D)	Under the Left Center Pillar
	112 (RHD L/B)	
	114 (RHD W/G)	
BU	110 (RHD S/D)	Under the Right Center Pillar
	112 (RHD L/B)	
	114 (RHD W/G)	

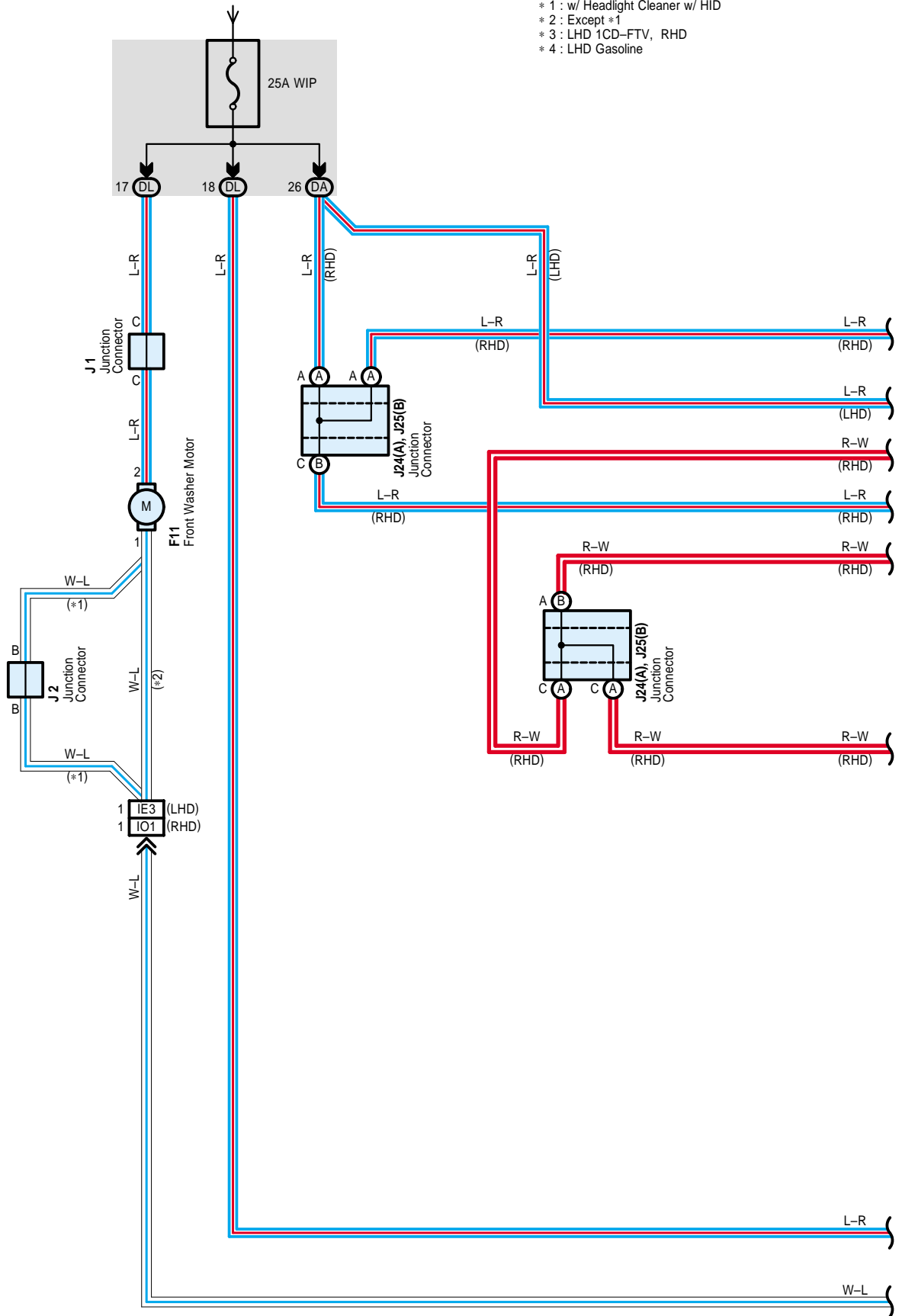
 : **Splice Points**

Code	See Page	Wire Harness with Splice Points	Code	See Page	Wire Harness with Splice Points
B1	110 (RHD S/D)	Front Door LH Wire	B7	114 (RHD W/G)	Front Door RH Wire
	112 (RHD L/B)		B8	110 (RHD S/D)	Rear Door No.1 Wire
	114 (RHD W/G)			112 (RHD L/B)	
B2	110 (RHD S/D)	Rear Door No.2 Wire	B9	114 (RHD W/G)	
	112 (RHD L/B)			110 (RHD S/D)	
	114 (RHD W/G)			112 (RHD L/B)	
B3	110 (RHD S/D)	Front Door LH Wire	B10	114 (RHD W/G)	
	112 (RHD L/B)			110 (RHD S/D)	
	114 (RHD W/G)			112 (RHD L/B)	
B7	110 (RHD S/D)	Front Door RH Wire			
	112 (RHD L/B)				

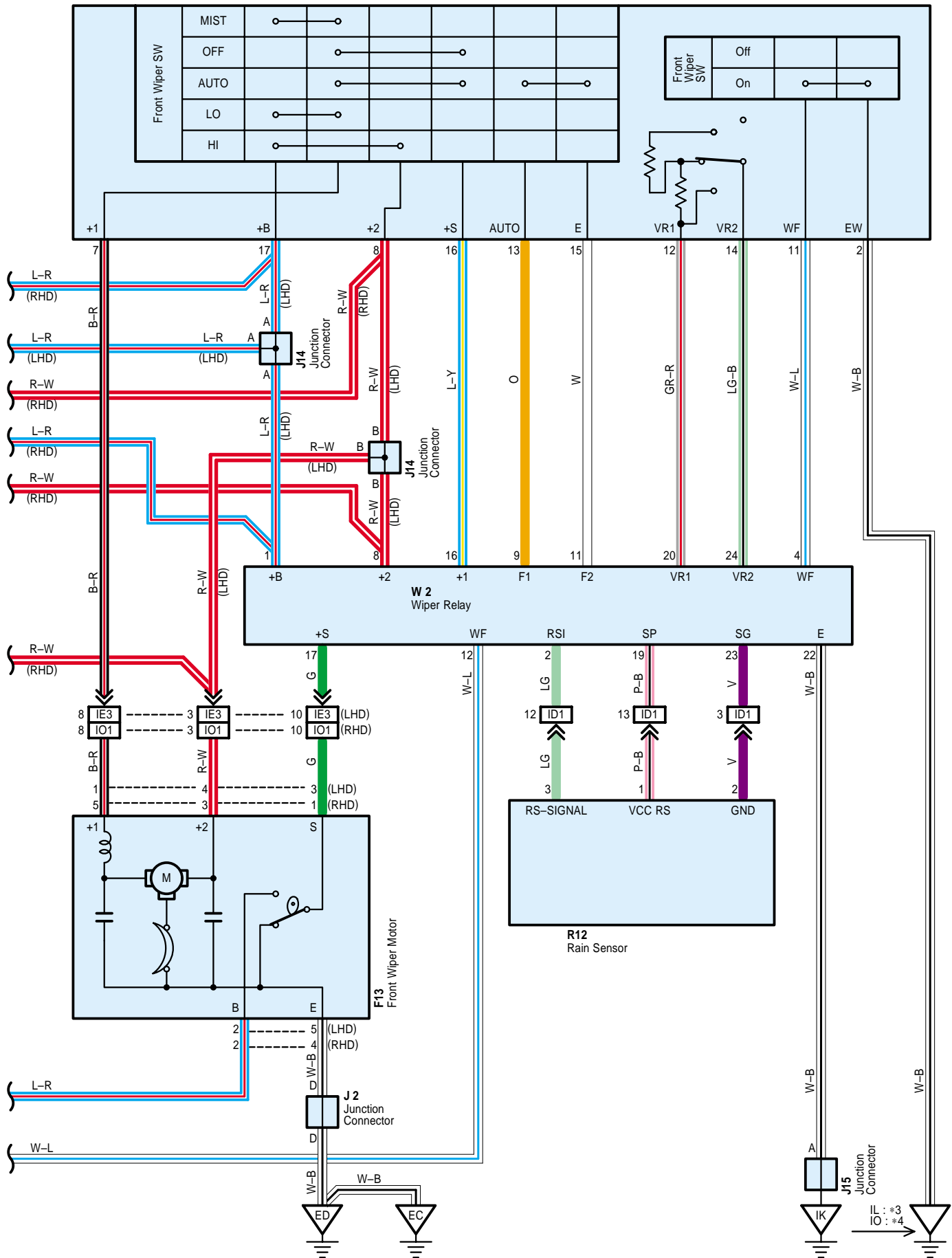
Front Wiper and Washer (w/ Auto Wiper System)

From Power Source System (See Page 120)

- * 1 : w/ Headlight Cleaner w/ HID
- * 2 : Except *1
- * 3 : LHD 1GD-FTV, RHD
- * 4 : LHD Gasoline



C13
Combination SW



Front Wiper and Washer (w/ Auto Wiper System)

System Outline

By turning the ignition SW to on, the wiper is controlled according to the position of the front wiper and washer SW.

Auto Wiper Operation

When the front wiper and washer SW is set to AUTO, the wiper relay is deactivated, operates at low speed, or operates at high speed based on the input signal from the rain sensor.

When the wiper signal is off and the washer SW is set to on, the wiper relay operates at low speed, irrespective of the signal output from the rain sensor.

Service Hints

C13 Combination SW

2-Ground : Always continuity

17-Ground : Approx. 12 volts with the ignition SW at ON position

7-Ground : Approx. 12 volts with the ignition SW on and the wiper and washer SW at LO position

16-Ground : Approx. 12 volts with the ignition SW on and unless the front wiper motor at STOP position

8-Ground : Approx. 12 volts with the ignition SW on and the front wiper and washer SW at HI position

F13 Front Wiper Motor

B-S : Closed unless the front wiper motor at STOP position

○ : Parts Location

Code	See Page	Code	See Page	Code	See Page	
C13	46 (LHD)	F13	64 (*10)	J14	48 (LHD)	
	66 (RHD)		39 (*3)		J15	48 (LHD)
F11	38 (*3)	J1	41 (*4)	J24		A
	40 (*4)		43 (*5)		J25	
	42 (*5)		45 (*6)	R12		51 (LHD S/D)
	44 (*6)		59 (*7)		53 (LHD L/B)	
	58 (*7)		63 (*9)		55 (LHD W/G)	
	62 (*9)		65 (*10)		71 (RHD S/D)	
	64 (*10)		J2		39 (*3)	73 (RHD L/B)
F13	38 (*3)	41 (*4)		W2	75 (RHD W/G)	
	40 (*4)	43 (*5)			49 (LHD)	
	42 (*5)	45 (*6)		69 (RHD)		
	44 (*6)	59 (*7)				
	58 (*7)	63 (*9)				
62 (*9)	65 (*10)					

○ : Junction Block and Wire Harness Connector

Code	See Page	Junction Block and Wire Harness (Connector Location)
DA	30	Instrument Panel Wire and Driver Side J/B (Left Side of the Instrument Panel)
DL	31	Engine Room Main Wire and Driver Side J/B (Left Side of the Instrument Panel)

□ : Connector Joining Wire Harness and Wire Harness

Code	See Page	Joining Wire Harness and Wire Harness (Connector Location)
ID1	86 (LHD)	Instrument Panel Wire and Roof Wire (Left Side of the Instrument Panel)
	106 (RHD)	
IE3	86 (LHD)	Engine Room Main Wire and Instrument Panel Wire (Behind the Combination Meter)
IO1	108 (RHD)	Engine Room Main Wire and Instrument Panel Wire (Left Side of the Instrument Panel)

* 1 : Gasoline * 2 : 1CD-FTV * 3 : LHD 1AZ-FSE * 4 : LHD 1AZ-FE * 5 : LHD 1ZZ-FE, 3ZZ-FE * 6 : LHD 1CD-FTV

* 7 : RHD 1AZ-FSE * 8 : RHD 1AZ-FE * 9 : RHD 1ZZ-FE, 3ZZ-FE * 10 : RHD 1CD-FTV

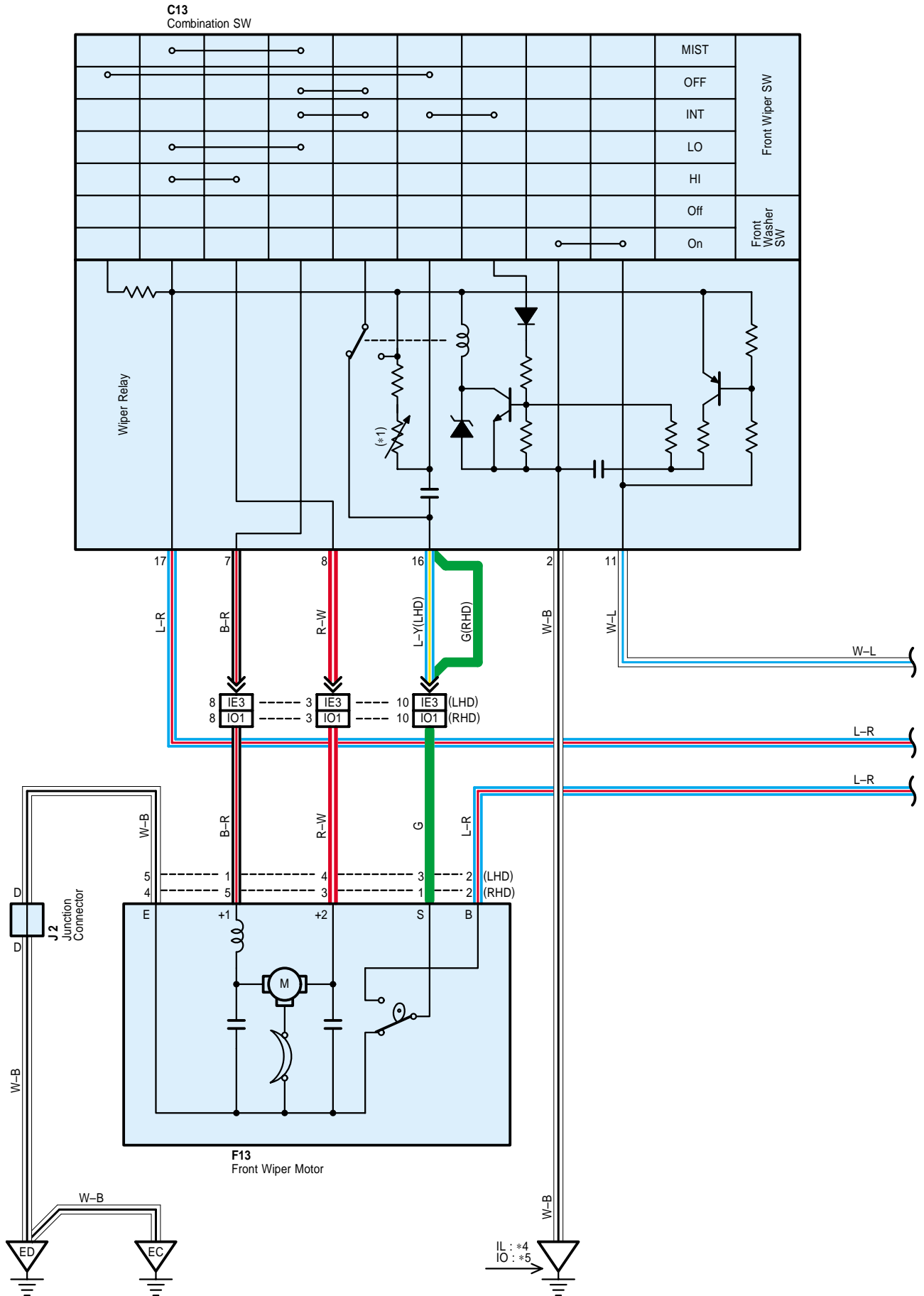


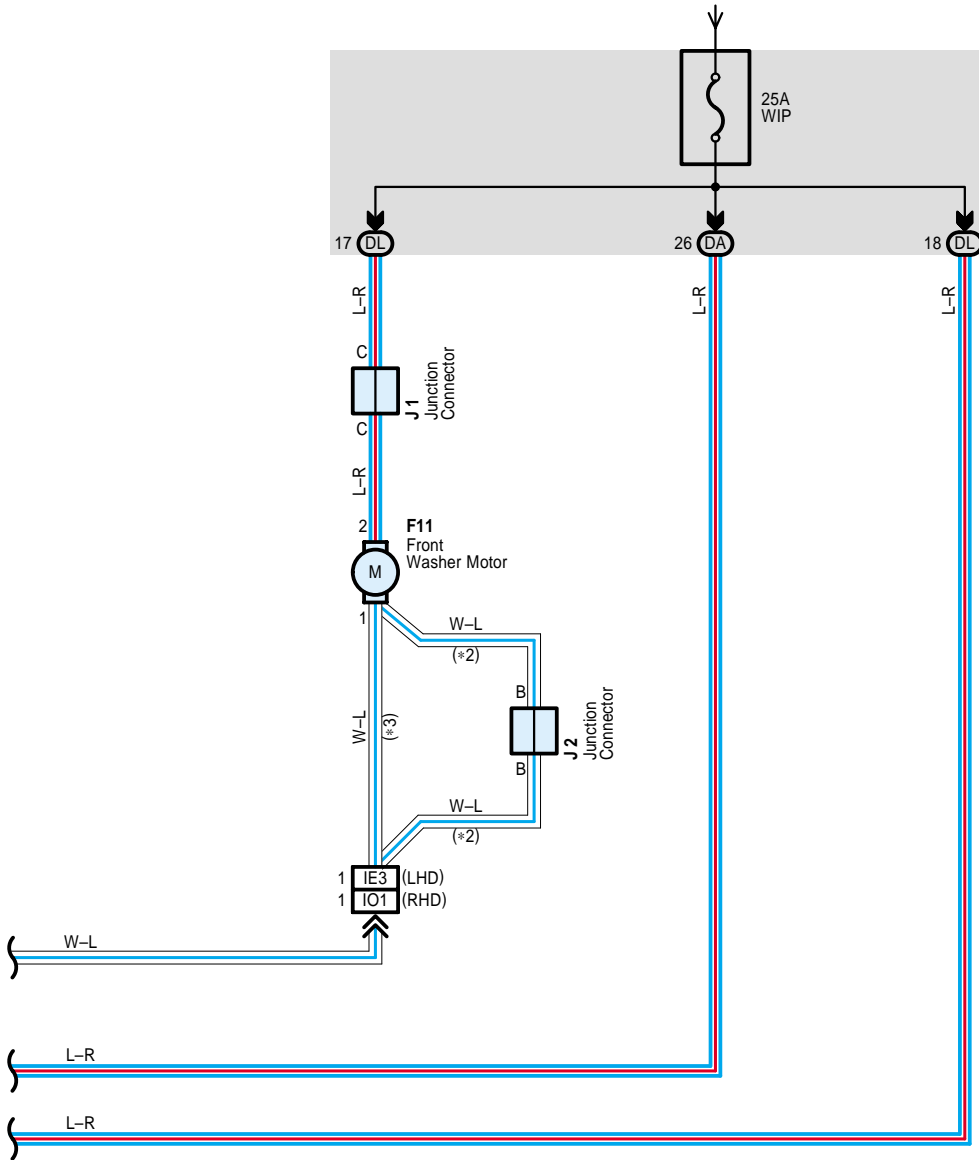
: Ground Points

Code	See Page	Ground Points Location
EC	78 (*3)	Engine Compartment Left
	80 (*4)	
	82 (*5)	
	84 (*6)	
	98 (*7)	
	102 (*9)	
	104 (*10)	
ED	78 (*3)	Left Side of the Suspension Tower
	80 (*4)	
	82 (*5)	
	84 (*6)	
	98 (*7)	
	102 (*9)	
	104 (*10)	
IK	86 (LHD)	Behind the Combination Meter
	106 (RHD)	
IL	86 (LHD)	
	106 (RHD)	
IO	86 (LHD)	Instrument Panel Reinforcement RH

* 1 : Gasoline * 2 : 1CD-FTV * 3 : LHD 1AZ-FSE * 4 : LHD 1AZ-FE * 5 : LHD 1ZZ-FE, 3ZZ-FE * 6 : LHD 1CD-FTV
* 7 : RHD 1AZ-FSE * 8 : RHD 1AZ-FE * 9 : RHD 1ZZ-FE, 3ZZ-FE * 10 : RHD 1CD-FTV

Front Wiper and Washer (w/o Auto Wiper System)





- * 1 : Intermittent Volume SW
- * 2 : w/ Headlight Cleaner w/ HID
- * 3 : Except *2
- * 4 : LHD 1CD-FTV, RHD
- * 5 : LHD Except 1CD-FTV

Front Wiper and Washer (w/o Auto Wiper System)

System Outline

With the ignition SW turned on, the current flows to TERMINAL 17 of the front wiper and washer SW, TERMINAL B of the front wiper motor and TERMINAL 2 of the front washer motor through the WIP fuse.

1. Low Speed Position

With the wiper SW turned to LO position, the current flows from TERMINAL 17 of the front wiper and washer SW to TERMINAL 7 to TERMINAL +1 of the front wiper motor to TERMINAL E to GROUND and causes to the wiper motor to run at low speed.

2. High Speed Position

With the wiper SW turned to HI position, the current flows from TERMINAL 17 of the front wiper and washer SW to TERMINAL 8 to TERMINAL +2 of the front wiper motor to TERMINAL E to GROUND and causes to the wiper motor to run at high speed.

3. INT Position

With the wiper SW turned to INT position, the relay operates and the current which is connected by relay function flows from TERMINAL 17 of the front wiper and washer SW to TERMINAL 2 to GROUND. This flow of current operates the intermittent circuit and the current flows from TERMINAL 17 of the front wiper and washer SW to TERMINAL 7 to TERMINAL +1 of the front wiper motor to TERMINAL E to GROUND and the functions.

The intermittent operation is controlled by the charge/discharge function of the condenser installed in the relay, and the intermittent time is controlled by a time control SW to change the charging time of the condenser.

4. Mist Position

With the wiper SW turned to MIST position, the current flows from TERMINAL 17 of the front wiper and washer SW to TERMINAL 7 to TERMINAL +1 of the front wiper motor to TERMINAL E to GROUND and causes to the front wiper motor to run at low speed.

5. Washer Continuous Operation

With the washer SW pulled to on, the current flows from the WIP fuse to TERMINAL 2 of the front washer motor to TERMINAL 1 to TERMINAL 11 of the front wiper and washer SW to TERMINAL 2 to GROUND and causes to the washer motor to run, and the window washer jet operates. This causes the current to flow to washer continuous operation circuit in TERMINAL 17 of the front wiper and washer SW to TERMINAL 7 to TERMINAL +1 of the front wiper motor to TERMINAL E to GROUND and the washer operates continuously.

Service Hints

C13 Combination SW

2-Ground : Always continuity

17-Ground : Approx. 12 volts with ignition SW at ON position

7-Ground : Approx. 12 volts with front wiper and washer SW at LO position

: Approx. 12 volts with front wiper and washer SW at MIST position

16-Ground : Approx. 12 volts with ignition SW on unless front wiper motor at STOP position

8-Ground : Approx. 12 volts with ignition SW on and front wiper and washer SW at HI position

F13 Front Wiper Motor

B-S : Closed unless front wiper motor at STOP position

○ : Parts Location

Code	See Page	Code	See Page	Code	See Page
C13	46 (LHD)	F13	42 (*5)	J1	63 (*9)
	66 (RHD)		44 (*6)		65 (*10)
F11	40 (*4)		60 (*8)	J2	41 (*4)
	42 (*5)		62 (*9)		43 (*5)
	44 (*6)		64 (*10)		45 (*6)
	60 (*8)		J1		41 (*4)
	62 (*9)	43 (*5)			
64 (*10)	45 (*6)				
F13	40 (*4)	61 (*8)			

* 1 : Gasoline * 2 : 1CD-FTV * 3 : LHD 1AZ-FSE * 4 : LHD 1AZ-FE * 5 : LHD 1ZZ-FE, 3ZZ-FE * 6 : LHD 1CD-FTV
 * 7 : RHD 1AZ-FSE * 8 : RHD 1AZ-FE * 9 : RHD 1ZZ-FE, 3ZZ-FE * 10 : RHD 1CD-FTV

 : Junction Block and Wire Harness Connector

Code	See Page	Junction Block and Wire Harness (Connector Location)
DA	30	Instrument Panel Wire and Driver Side J/B (Left Side of the Instrument Panel)
DL	31	Engine Room Main Wire and Driver Side J/B (Left Side of the Instrument Panel)

 : Connector Joining Wire Harness and Wire Harness

Code	See Page	Joining Wire Harness and Wire Harness (Connector Location)
IE3	86 (LHD)	Engine Room Main Wire and Instrument Panel Wire (Behind the Combination Meter)
IO1	108 (RHD)	Engine Room Main Wire and Instrument Panel Wire (Left Side of the Instrument Panel)

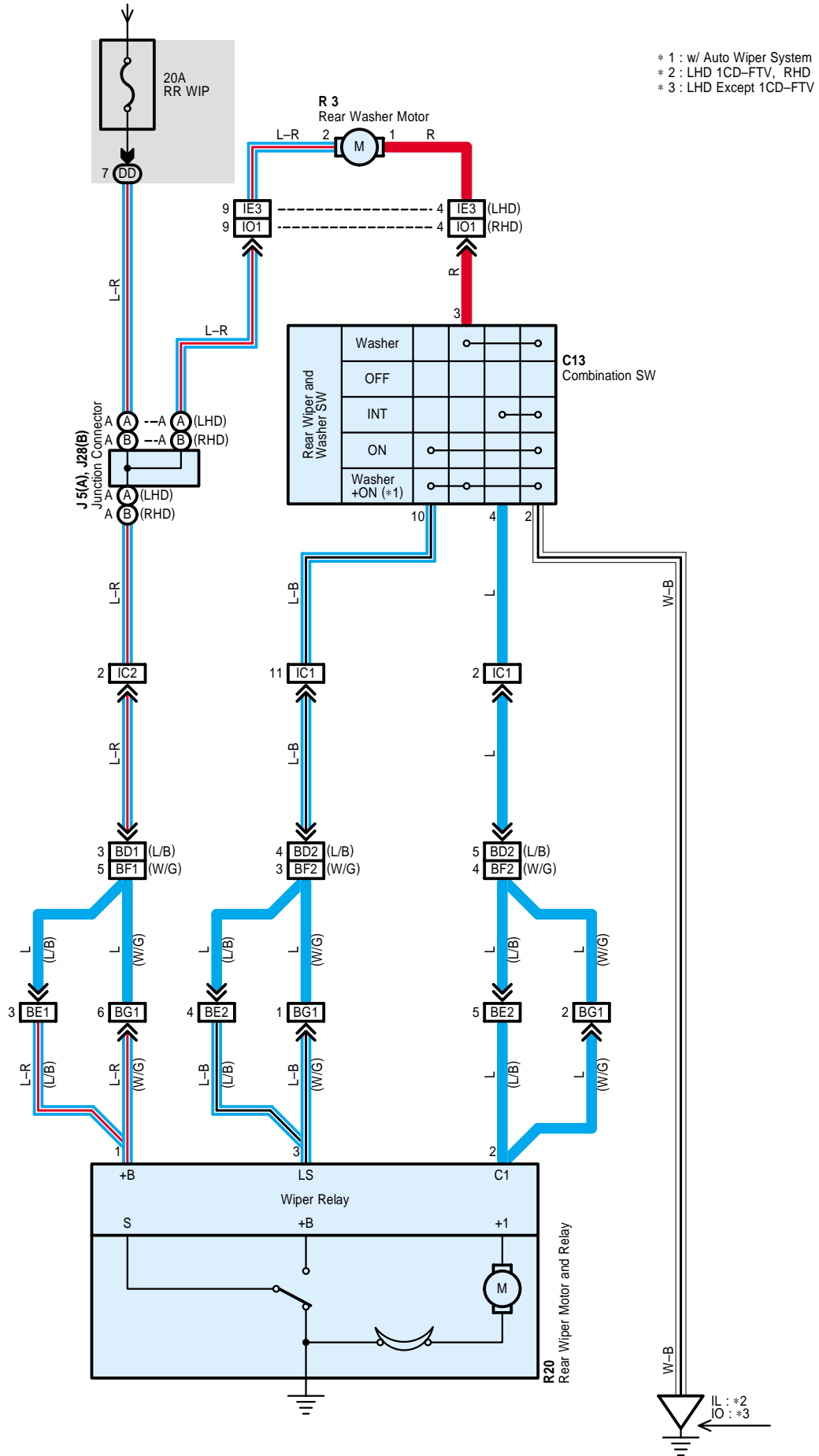
 : Ground Points

Code	See Page	Ground Points Location
EC	80 (*4)	Engine Compartment Left
	82 (*5)	
	84 (*6)	
	100 (*8)	
	102 (*9)	
	104 (*10)	
ED	80 (*4)	Left Side of the Suspension Tower
	82 (*5)	
	84 (*6)	
	100 (*8)	
	102 (*9)	
	104 (*10)	
IL	86 (LHD)	Behind the Combination Meter
	106 (RHD)	
IO	86 (LHD)	Instrument Panel Reinforcement RH

* 1 : Gasoline * 2 : 1CD-FTV * 3 : LHD 1AZ-FSE * 4 : LHD 1AZ-FE * 5 : LHD 1ZZ-FE, 3ZZ-FE * 6 : LHD 1CD-FTV
 * 7 : RHD 1AZ-FSE * 8 : RHD 1AZ-FE * 9 : RHD 1ZZ-FE, 3ZZ-FE * 10 : RHD 1CD-FTV

Rear Wiper and Washer

From Power Source System (See Page 120)



System Outline

When the ignition SW is turned on, the current flows to TERMINAL 2 of the rear washer motor and TERMINAL 1 of the rear wiper motor and relay through the RR WIP fuse.

1. Rear Wiper Normal Operation

With the ignition SW turned on and rear wiper and washer SW turned on, current to TERMINAL 1 of the rear wiper motor and relay flows to TERMINAL 3 of the rear wiper motor and relay to TERMINAL 10 of the rear wiper and washer SW to TERMINAL 2 to GROUND. Thus, the relay coil is activated and current to the rear wiper motor to motor to GROUND, causing the motor to operate the wiper.

2. Rear Wiper Intermittent Operation

When the ignition SW is turned on and the rear wiper and washer SW is turned to INT position, current to TERMINAL 1 of the rear wiper motor and relay flows to TERMINAL 2 of the rear wiper motor and relay to TERMINAL 4 of the rear wiper and washer SW to TERMINAL 2 to GROUND.

This causes the motor to operate (The point changes) and the intermittent circuit of the relay operates. Intermittent operation of the circuit is controlled by the charging and discharging of the condenser installed inside the relay.

3. Washer Operation

With the ignition SW turned on and the rear wiper and washer SW turned to ON position, when the wiper SW is turned further, current to TERMINAL 2 of the rear washer motor flows to TERMINAL 1 to TERMINAL 3 of the rear wiper and washer SW to TERMINAL 2 to GROUND so that the rear washer motor rotates and the window washer emits a water, only while the SW is fully turned.

When the wiper SW is off and then turned washer on (Wiper off side), the wiper SW is on and then turned to washer on (Wiper on side), only the washer operates.

Service Hints

R20 Rear Wiper Motor and Relay

- 1-Ground : Approx. 12 volts with the ignition SW at ON position
- 2-Ground : Continuity with the rear wiper and washer SW at INT position
- 3-Ground : Continuity with the rear wiper and washer SW at ON position

○ : Parts Location

Code	See Page	Code	See Page	Code	See Page
C13	46 (LHD)	R3	41 (*4)	R3	65 (*10)
	66 (RHD)		43 (*5)	R20	53 (LHD L/B)
J5 A	48 (LHD)		45 (*6)		55 (LHD W/G)
J28 B	68 (RHD)		59 (*7)		73 (RHD L/B)
R3	39 (*3)		63 (*9)		75 (RHD W/G)

○ : Junction Block and Wire Harness Connector

Code	See Page	Junction Block and Wire Harness (Connector Location)
DD	30	Instrument Panel Wire and Driver Side J/B (Left Side of the Instrument Panel)

* 1 : Gasoline * 2 : 1CD-FTV * 3 : LHD 1AZ-FSE * 4 : LHD 1AZ-FE * 5 : LHD 1ZZ-FE, 3ZZ-FE * 6 : LHD 1CD-FTV
 * 7 : RHD 1AZ-FSE * 8 : RHD 1AZ-FE * 9 : RHD 1ZZ-FE, 3ZZ-FE * 10 : RHD 1CD-FTV

Rear Wiper and Washer

 : Connector Joining Wire Harness and Wire Harness

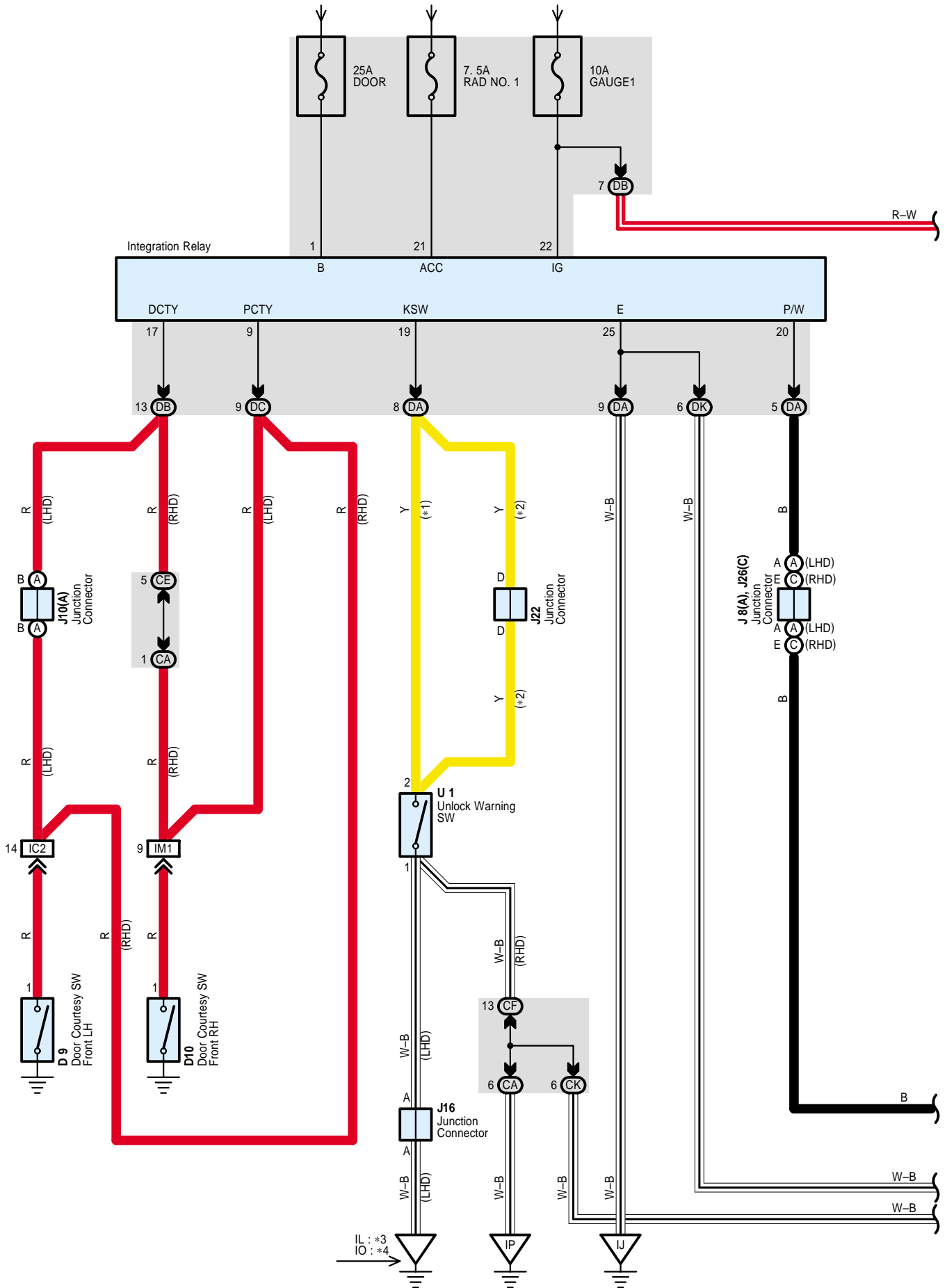
Code	See Page	Joining Wire Harness and Wire Harness (Connector Location)
IC1	86 (LHD)	Instrument Panel Wire and Floor Wire (Left Kick Panel)
	106 (RHD)	
IC2	86 (LHD)	
	106 (RHD)	
IE3	86 (LHD)	Engine Room Main Wire and Instrument Panel Wire (Behind the Combination Meter)
IO1	108 (RHD)	Engine Room Main Wire and Instrument Panel Wire (Left Side of the Instrument Panel)
BD1	92 (LHD L/B)	Back Door No.1 Wire and Floor Wire (Under the Left Quarter Pillar)
	112 (RHD L/B)	
BD2	92 (LHD L/B)	
	112 (RHD L/B)	
BE1	92 (LHD L/B)	Back Door No.2 Wire and Back Door No.1 Wire (Back Door Upper Left)
	112 (RHD L/B)	
BE2	92 (LHD L/B)	
	112 (RHD L/B)	
BF1	94 (LHD W/G)	Back Door No.1 Wire and Floor Wire (Under the Left Quarter Pillar)
	114 (RHD W/G)	
BF2	94 (LHD W/G)	
	114 (RHD W/G)	
BG1	94 (LHD W/G)	Back Door No.1 Wire and Back Door No.2 Wire (Back Door Left)
	114 (RHD W/G)	

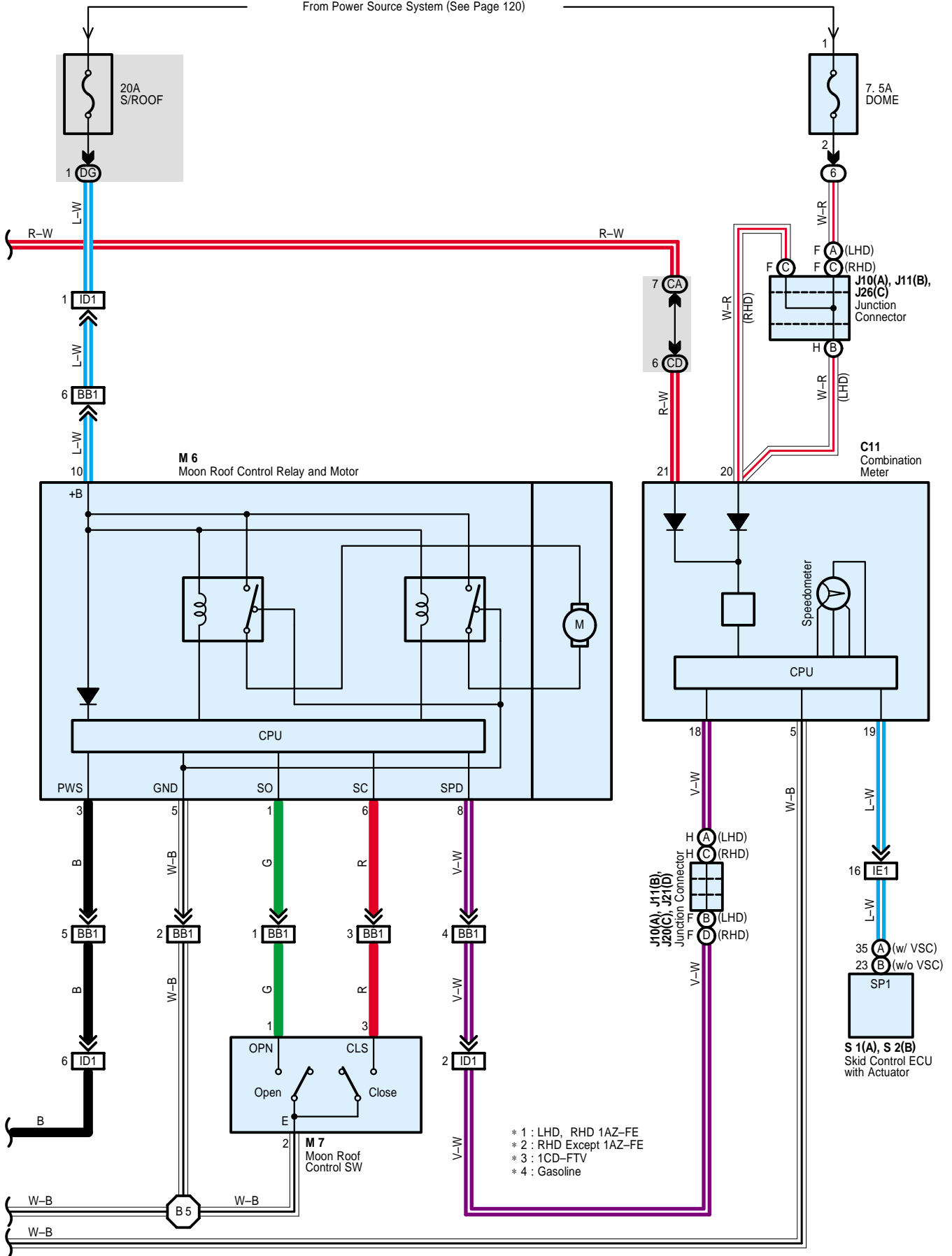
 : Ground Points

Code	See Page	Ground Points Location
IL	86 (LHD)	Behind the Combination Meter
	106 (RHD)	
IO	86 (LHD)	Instrument Panel Reinforcement RH

Moon Roof

From Power Source System (See Page 120)





Moon Roof

System Outline

Key Off Moon Roof Operation

Within approximately 43 sec. after the ignition SW is turned from on to off, the moon roof can be operated. However, if the driver or front passenger door is opened during this period of time, the moon roof operation is stopped even through 43 sec. have not elapsed.

Service Hints

M6 Moon Roof Control Relay and Motor

- 10-Ground : Always approx. 12 volts
- 3-Ground : Approx. 12 volts with the ignition SW at ON position
- 5-Ground : Always continuity

○ : Parts Location

Code	See Page	Code	See Page	Code	See Page
C11	46 (LHD)	J10	A	48 (LHD)	M7
	66 (RHD)	J11	B	48 (LHD)	
D9	50 (LHD S/D)	J16		48 (LHD)	
	52 (LHD L/B)	J20	C	68 (RHD)	
	54 (LHD W/G)	J21	D	68 (RHD)	
	70 (RHD S/D)	J22		68 (RHD)	
	72 (RHD L/B)	J26	C	68 (RHD)	
	74 (RHD W/G)			51 (LHD S/D)	
D10	50 (LHD S/D)			53 (LHD L/B)	S2
	52 (LHD L/B)			55 (LHD W/G)	
	54 (LHD W/G)			71 (RHD S/D)	
	70 (RHD S/D)			73 (RHD L/B)	
	72 (RHD L/B)			75 (RHD W/G)	
	74 (RHD W/G)			51 (LHD S/D)	
J8	A	M7		53 (LHD L/B)	U1
					49 (LHD)
					69 (RHD)

○ : Relay Blocks

Code	See Page	Relay Blocks (Relay Block Location)
6	29	Fuse Block (Lower Finish Panel)

○ : Junction Block and Wire Harness Connector

Code	See Page	Junction Block and Wire Harness (Connector Location)
CA	34	Instrument Panel Wire and Center J/B (Instrument Panel Reinforcement RH)
CD		
CE		
CF		
CK	35	
DA	30	Instrument Panel Wire and Driver Side J/B (Left Side of the Instrument Panel)
DB		
DC		
DG		
DK	31	Roof Wire and Driver Side J/B (Left Side of the Instrument Panel)

* 1 : Gasoline * 2 : 1CD-FTV * 3 : LHD 1AZ-FSE * 4 : LHD 1AZ-FE * 5 : LHD 1ZZ-FE, 3ZZ-FE * 6 : LHD 1CD-FTV
 * 7 : RHD 1AZ-FSE * 8 : RHD 1AZ-FE * 9 : RHD 1ZZ-FE, 3ZZ-FE * 10 : RHD 1CD-FTV

 : **Connector Joining Wire Harness and Wire Harness**

Code	See Page	Joining Wire Harness and Wire Harness (Connector Location)
IC2	86 (LHD)	Instrument Panel Wire and Floor Wire (Left Kick Panel)
	106 (RHD)	
ID1	86 (LHD)	Instrument Panel Wire and Roof Wire (Left Side of the Instrument Panel)
	106 (RHD)	
IE1	86 (LHD)	Engine Room Main Wire and Instrument Panel Wire (Behind the Combination Meter)
	106 (RHD)	Engine Room Main Wire and Instrument Panel Wire (Behind the Glove Box)
IM1	88 (LHD)	Instrument Panel Wire and Floor No.2 Wire (Right Kick Panel)
	108 (RHD)	
BB1	90 (LHD S/D)	Roof Wire and Roof No.2 Wire (Near the Personal Light)
	92 (LHD L/B)	
	94 (LHD W/G)	
	110 (RHD S/D)	
	112 (RHD L/B)	
	114 (RHD W/G)	

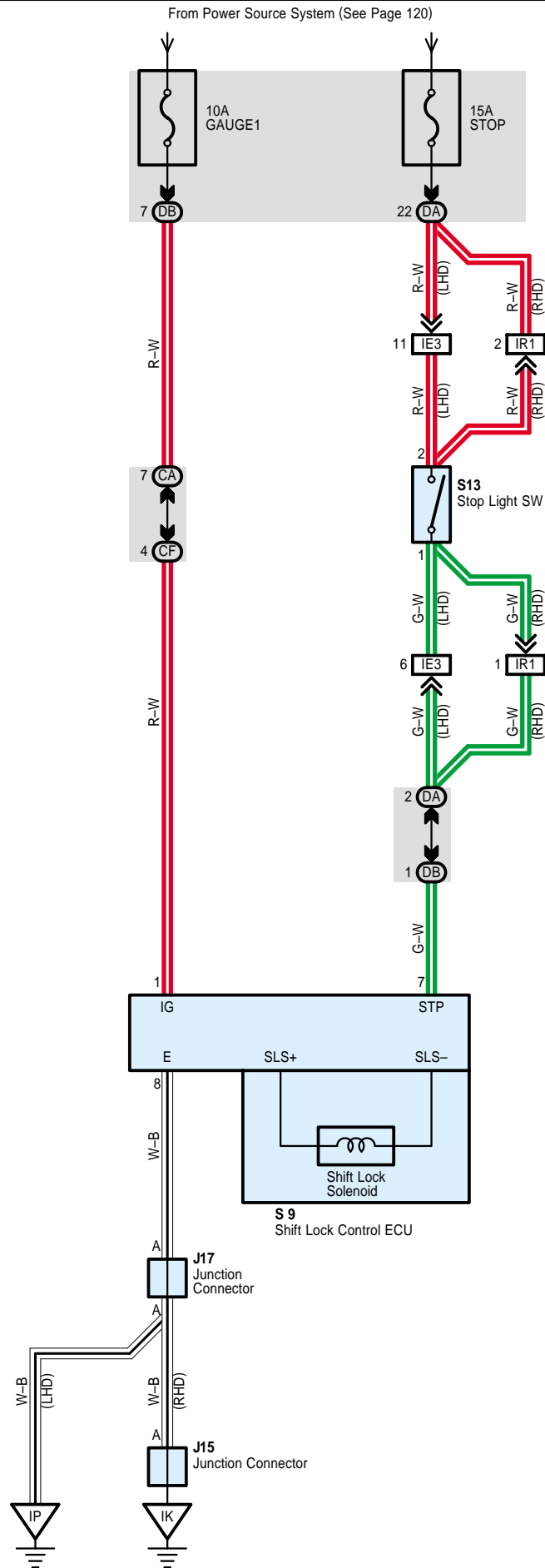
 : **Ground Points**

Code	See Page	Ground Points Location
IJ	86 (LHD)	Left Kick Panel
	106 (RHD)	
IL	86 (LHD)	Behind the Combination Meter
IO	86 (LHD)	Instrument Panel Reinforcement RH
IP	86 (LHD)	Right Kick Panel
	106 (RHD)	

 : **Splice Points**

Code	See Page	Wire Harness with Splice Points	Code	See Page	Wire Harness with Splice Points
B5	90 (LHD S/D)	Roof Wire	B5	110 (RHD S/D)	Roof Wire
	92 (LHD L/B)			112 (RHD L/B)	
	94 (LHD W/G)			114 (RHD W/G)	

Shift Lock



System Outline

Shift Lock Mechanism

If the brake pedal is depressed with the ignition SW set at ON (The stop light SW is on), the shift lock control ECU is activated, allowing the driver to change the shift lever to a position other than the P position.

Service Hints

S9 Shift Lock Control ECU

1-Ground : Approx. 12 volts with the ignition SW at ON position

8-Ground : Always continuity

○ : Parts Location

Code	See Page	Code	See Page	Code	See Page
J15	68 (RHD)	S9	49 (LHD)	S13	69 (RHD)
J17	48 (LHD)		69 (RHD)		
	68 (RHD)	S13	49 (LHD)		

○ : Junction Block and Wire Harness Connector

Code	See Page	Junction Block and Wire Harness (Connector Location)
CA	34	Instrument Panel Wire and Center J/B (Instrument Panel Reinforcement RH)
CF		
DA	30	Instrument Panel Wire and Driver Side J/B (Left Side of the Instrument Panel)
DB		

□ : Connector Joining Wire Harness and Wire Harness

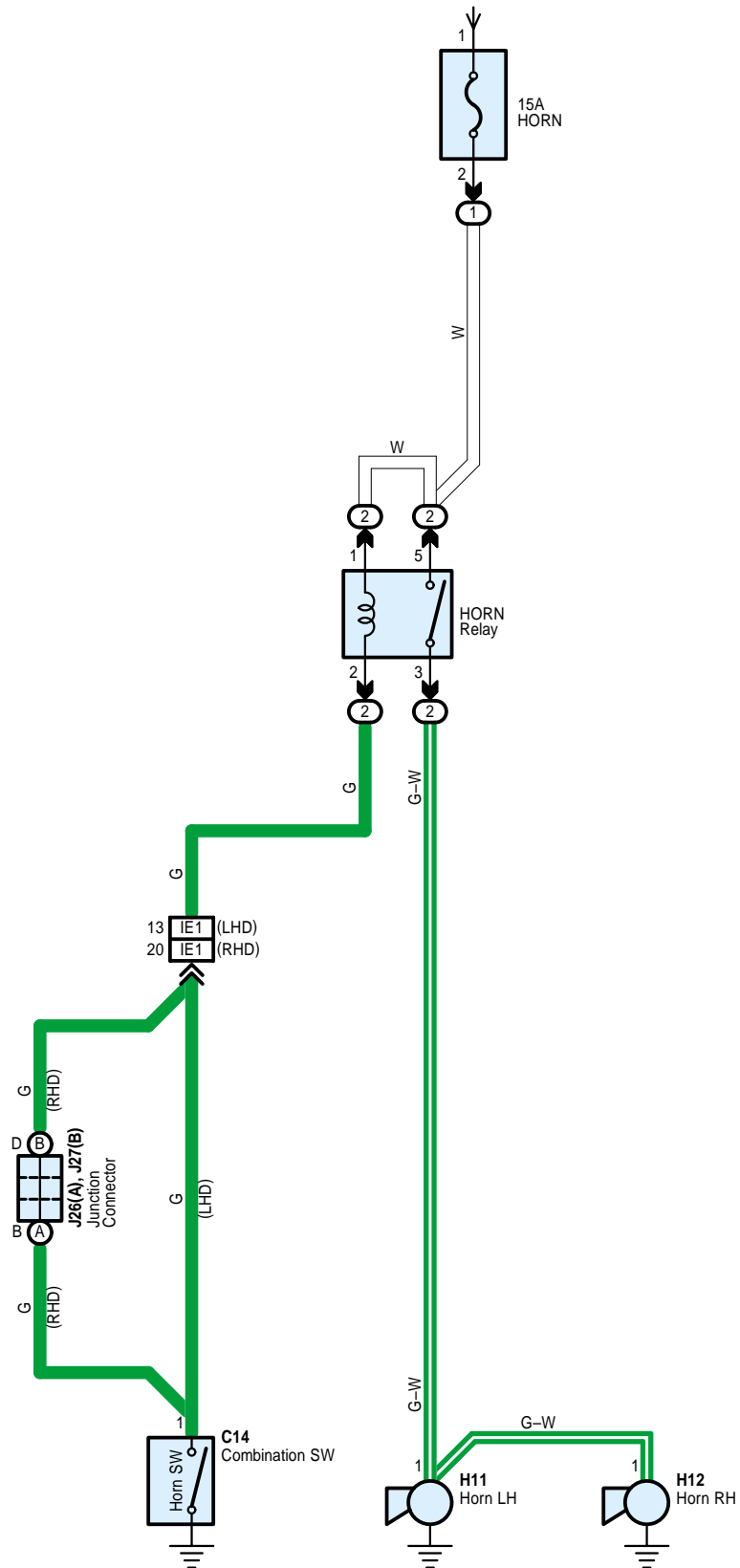
Code	See Page	Joining Wire Harness and Wire Harness (Connector Location)
IE3	86 (LHD)	Engine Room Main Wire and Instrument Panel Wire (Behind the Combination Meter)
IR1	108 (RHD)	Instrument Panel Wire and Cowl Wire (Right Side of the Instrument Panel)

▽ : Ground Points

Code	See Page	Ground Points Location
IK	106 (RHD)	Behind the Combination Meter
IP	86 (LHD)	Right Kick Panel

Horn

From Power Source System (See Page 120)



Service Hints**HORN Relay**

5-3 : Closed with the horn SW at on

 : **Parts Location**

Code	See Page	Code	See Page	Code	See Page
C14	46 (LHD)	H11	60 (*8)	H12	58 (*7)
	66 (RHD)		62 (*9)		60 (*8)
H11	38 (*3)		64 (*10)		62 (*9)
	40 (*4)	H12	38 (*3)		64 (*10)
	42 (*5)		40 (*4)	J26 A 68 (RHD)	
	44 (*6)		42 (*5)	J27 B 68 (RHD)	
58 (*7)	44 (*6)				

 : **Relay Blocks**

Code	See Page	Relay Blocks (Relay Block Location)
1	24 (*1)	Engine Room R/B No.1 (Engine Compartment Left)
	25 (*2)	
2	26	Engine Room R/B No.2 (Near the Radiator Fan)

 : **Connector Joining Wire Harness and Wire Harness**

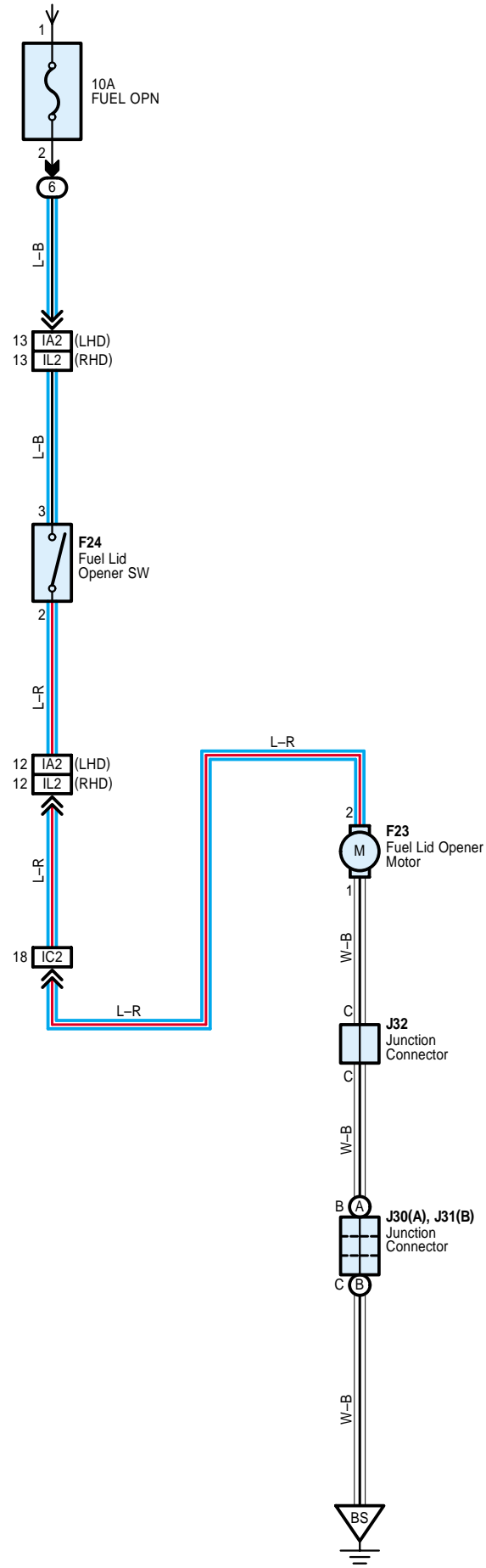
Code	See Page	Joining Wire Harness and Wire Harness (Connector Location)
IE1	86 (LHD)	Engine Room Main Wire and Instrument Panel Wire (Behind the Combination Meter)
	106 (RHD)	Engine Room Main Wire and Instrument Panel Wire (Behind the Glove Box)

* 1 : Gasoline * 2 : 1CD-FTV * 3 : LHD 1AZ-FSE * 4 : LHD 1AZ-FE * 5 : LHD 1ZZ-FE, 3ZZ-FE * 6 : LHD 1CD-FTV

* 7 : RHD 1AZ-FSE * 8 : RHD 1AZ-FE * 9 : RHD 1ZZ-FE, 3ZZ-FE * 10 : RHD 1CD-FTV

Fuel Lid Opener

From Power Source System (See Page 120)



Service Hints

F24 Fuel Lid Opener SW

3-2 : Closed with fuel lid opener SW on

○ : Parts Location

Code	See Page	Code	See Page	Code	See Page	
F23	50 (LHD S/D)	F24	72 (RHD L/B)	J31	B	55 (LHD W/G)
	52 (LHD L/B)		74 (RHD W/G)			71 (RHD S/D)
	54 (LHD W/G)	J30	A	51 (LHD S/D)	J32	73 (RHD L/B)
	70 (RHD S/D)			53 (LHD L/B)		75 (RHD W/G)
	72 (RHD L/B)			55 (LHD W/G)		51 (LHD S/D)
	74 (RHD W/G)			71 (RHD S/D)		53 (LHD L/B)
F24	50 (LHD S/D)	J31	B	73 (RHD L/B)	55 (LHD W/G)	
	52 (LHD L/B)			75 (RHD W/G)	71 (RHD S/D)	
	54 (LHD W/G)	J31	B	51 (LHD S/D)	73 (RHD L/B)	
	70 (RHD S/D)			53 (LHD L/B)	75 (RHD W/G)	

○ : Relay Blocks

Code	See Page	Relay Blocks (Relay Block Location)
6	29	Fuse Block (Lower Finish Panel)

□ : Connector Joining Wire Harness and Wire Harness

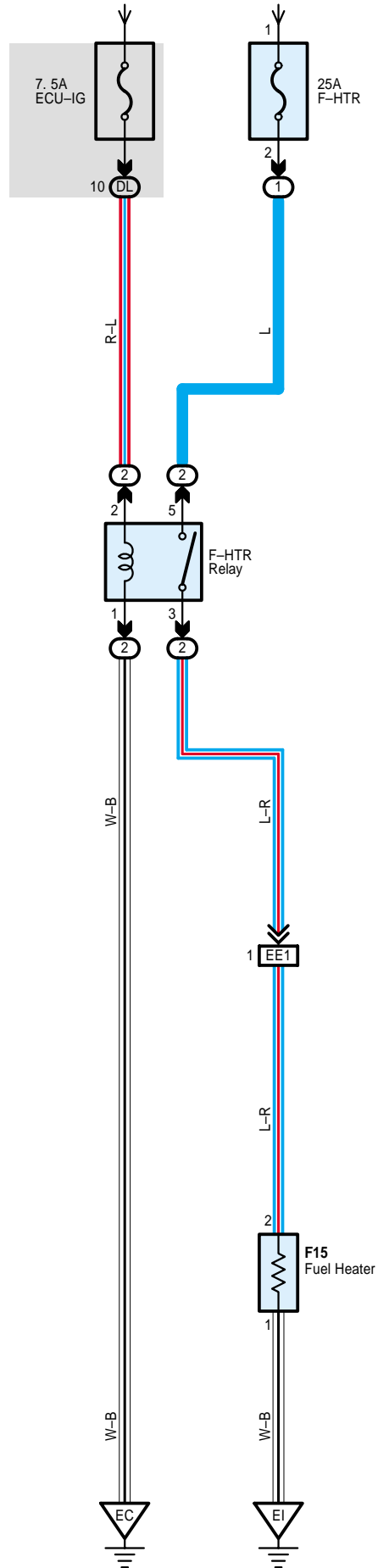
Code	See Page	Joining Wire Harness and Wire Harness (Connector Location)
IA2	86 (LHD)	Front Door LH Wire and Instrument Panel Wire (Left Kick Panel)
IC2	86 (LHD)	Instrument Panel Wire and Floor Wire (Left Kick Panel)
	106 (RHD)	
IL2	108 (RHD)	Front Door RH Wire and Instrument Panel Wire (Right Kick Panel)

▽ : Ground Points

Code	See Page	Ground Points Location
BS	90 (LHD S/D)	Lower Back Panel Left
	92 (LHD L/B)	
	94 (LHD W/G)	
	110 (RHD S/D)	
	112 (RHD L/B)	
	114 (RHD W/G)	

Fuel Heater

From Power Source System (See Page 120)



Service Hints**F-HTR Relay**

5-3 : Closed with the ignition SW at ON position

○ : Parts Location

Code	See Page	Code	See Page	Code	See Page
F15	44 (*6)	F15	64 (*10)		

○ : Relay Blocks

Code	See Page	Relay Blocks (Relay Block Location)
1	25 (*2)	Engine Room R/B No.1 (Engine Compartment Left)
2	26	Engine Room R/B No.2 (Near the Radiator Fan)

○ : Junction Block and Wire Harness Connector

Code	See Page	Junction Block and Wire Harness (Connector Location)
DL	31	Engine Room Main Wire and Driver Side J/B (Left Side of the Instrument Panel)

□ : Connector Joining Wire Harness and Wire Harness

Code	See Page	Joining Wire Harness and Wire Harness (Connector Location)
EE1	84 (*6)	Engine Wire and Engine Room Main Wire (Engine Compartment Left)
	104 (*10)	

▽ : Ground Points

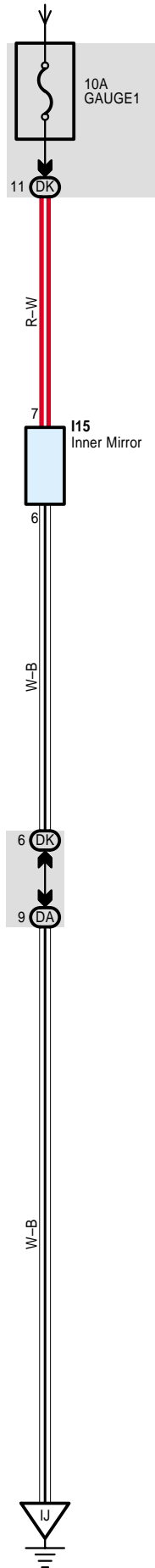
Code	See Page	Ground Points Location
EC	84 (*6)	Engine Compartment Left
	104 (*10)	
EI	84 (*6)	Near the Starter
	104 (*10)	

* 1 : Gasoline * 2 : 1CD-FTV * 3 : LHD 1AZ-FSE * 4 : LHD 1AZ-FE * 5 : LHD 1ZZ-FE, 3ZZ-FE * 6 : LHD 1CD-FTV

* 7 : RHD 1AZ-FSE * 8 : RHD 1AZ-FE * 9 : RHD 1ZZ-FE, 3ZZ-FE * 10 : RHD 1CD-FTV

Automatic Glare-Resistant EC Mirror

From Power Source System (See Page 120)



Service Hints**I15 Inner Mirror**

7-Ground : Approx. 12 volts with the ignition SW at ON position

6-Ground : Always continuity

○ : Parts Location

Code	See Page	Code	See Page	Code	See Page
I15	50 (LHD S/D)	I15	54 (LHD W/G)	I15	72 (RHD L/B)
	52 (LHD L/B)		70 (RHD S/D)		74 (RHD W/G)

○ : Junction Block and Wire Harness Connector

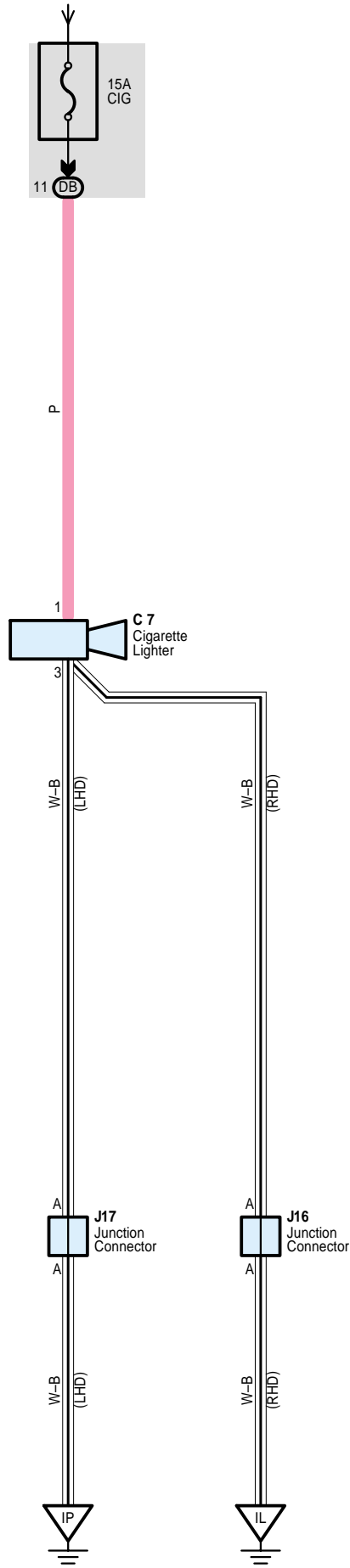
Code	See Page	Junction Block and Wire Harness (Connector Location)
DA	30	Instrument Panel Wire and Driver Side J/B (Left Side of the Instrument Panel)
DK	31	Roof Wire and Driver Side J/B (Left Side of the Instrument Panel)

▽ : Ground Points

Code	See Page	Ground Points Location
IJ	86 (LHD)	Left Kick Panel
	106 (RHD)	

Cigarette Lighter

From Power Source System (See Page 120)



Service Hints**C7 Cigarette Lighter**

- 1—Ground : Approx. 12 volts with the ignition SW at ACC or ON position
- 3—Ground : Always continuity

○ : Parts Location

Code	See Page	Code	See Page	Code	See Page
C7	46 (LHD)	J16	68 (RHD)		
	66 (RHD)	J17	48 (LHD)		

○ : Junction Block and Wire Harness Connector

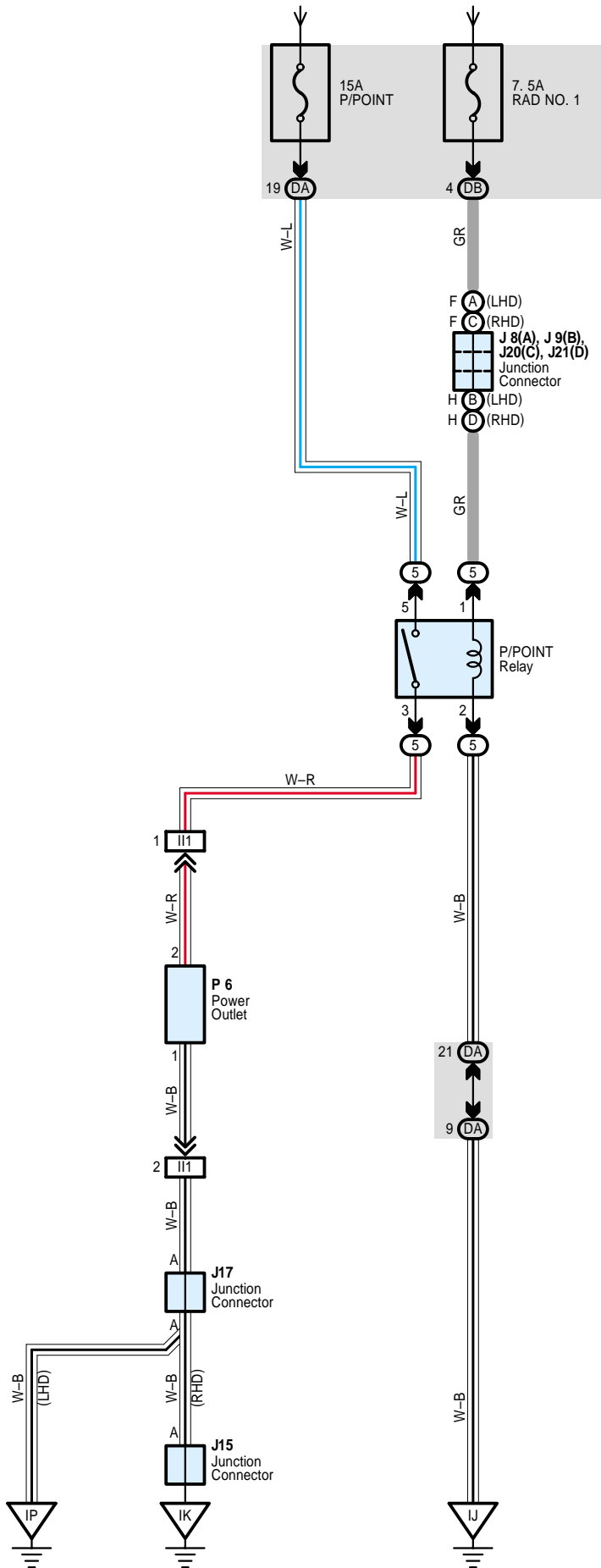
Code	See Page	Junction Block and Wire Harness (Connector Location)
DB	30	Instrument Panel Wire and Driver Side J/B (Left Side of the Instrument Panel)

▽ : Ground Points

Code	See Page	Ground Points Location
IL	106 (RHD)	Behind the Combination Meter
IP	86 (LHD)	Right Kick Panel

Power Outlet

From Power Source System (See Page 120)



Service Hints**P6 Power Outlet**

2-Ground : Approx. 12 volts with the ignition SW at ACC or ON position

1-Ground : Always continuity

○ : Parts Location

Code		See Page	Code		See Page	Code		See Page
J8	A	48 (LHD)	J17		48 (LHD)	J21	D	68 (RHD)
J9	B	48 (LHD)			68 (RHD)	P6		49 (LHD)
J15		68 (RHD)	J20	C	68 (RHD)			69 (RHD)

○ : Relay Blocks

Code	See Page	Relay Blocks (Relay Block Location)
5	28 (LHD)	Driver Side R/B (Left Side of the Instrument Panel)
	28 (RHD)	Driver Side R/B (Instrument Panel Reinforcement LH)

○ : Junction Block and Wire Harness Connector

Code	See Page	Junction Block and Wire Harness (Connector Location)
DA	30	Instrument Panel Wire and Driver Side J/B (Left Side of the Instrument Panel)
DB		

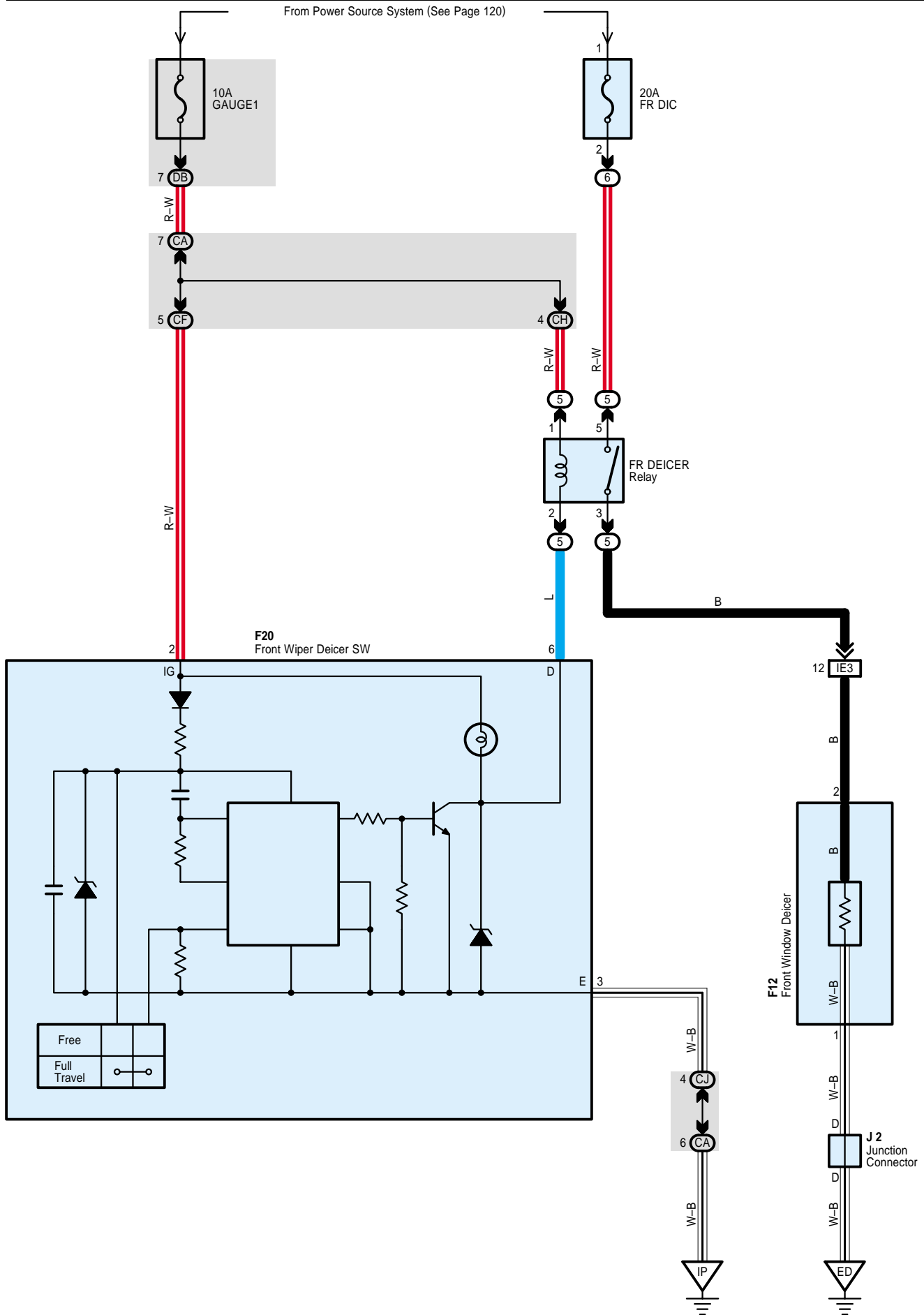
□ : Connector Joining Wire Harness and Wire Harness

Code	See Page	Joining Wire Harness and Wire Harness (Connector Location)
II1	88 (LHD)	Instrument Panel Wire and Instrument Panel No.3 Wire (Under the Console Box)
	108 (RHD)	

▽ : Ground Points

Code	See Page	Ground Points Location
IJ	86 (LHD)	Left Kick Panel
	106 (RHD)	
IK	106 (RHD)	Behind the Combination Meter
IP	86 (LHD)	Right Kick Panel

Front Window Deicer



Service Hints**F20 Front Wiper Deicer SW**

- 2, 6-Ground : Approx. 12 volts with the ignition SW at ON position
 3-Ground : Always continuity

○ : Parts Location

Code	See Page	Code	See Page	Code	See Page
F12	38 (*3)	F12	44 (*6)	J2	41 (*4)
	40 (*4)	F20	47 (LHD)		43 (*5)
	42 (*5)	J2	39 (*3)		45 (*6)

○ : Relay Blocks

Code	See Page	Relay Blocks (Relay Block Location)
5	28 (LHD)	Driver Side R/B (Left Side of the Instrument Panel)
6	29	Fuse Block (Lower Finish Panel)

○ : Junction Block and Wire Harness Connector

Code	See Page	Junction Block and Wire Harness (Connector Location)
CA	34	Instrument Panel Wire and Center J/B (Instrument Panel Reinforcement RH)
CF		
CH	35	
CJ		
DB	30	Instrument Panel Wire and Driver Side J/B (Left Side of the Instrument Panel)

□ : Connector Joining Wire Harness and Wire Harness

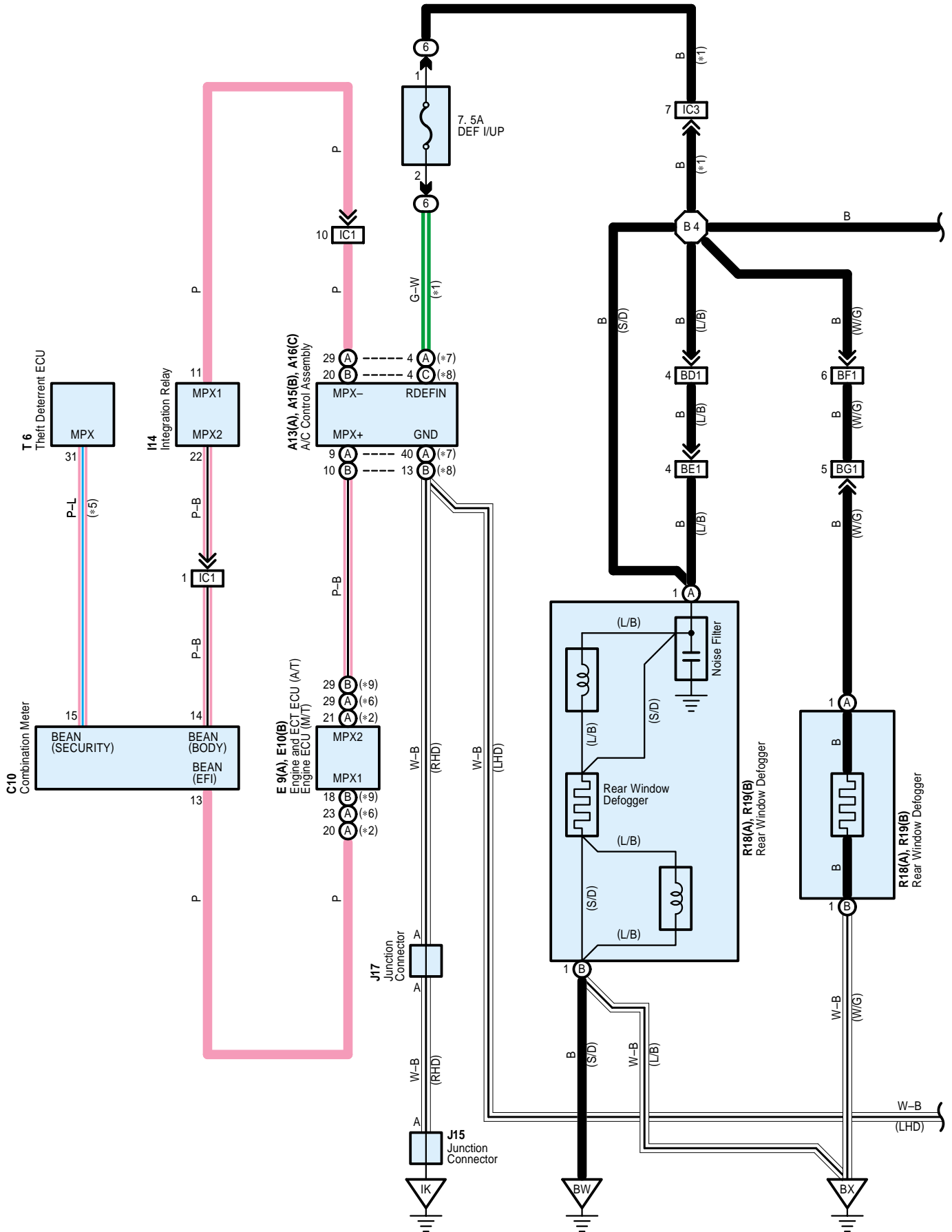
Code	See Page	Joining Wire Harness and Wire Harness (Connector Location)
IE3	86 (LHD)	Engine Room Main Wire and Instrument Panel Wire (Behind the Combination Meter)

▽ : Ground Points

Code	See Page	Ground Points Location
ED	78 (*3)	Left Side of the Suspension Tower
	80 (*4)	
	82 (*5)	
	84 (*6)	
IP	86 (LHD)	Right Kick Panel

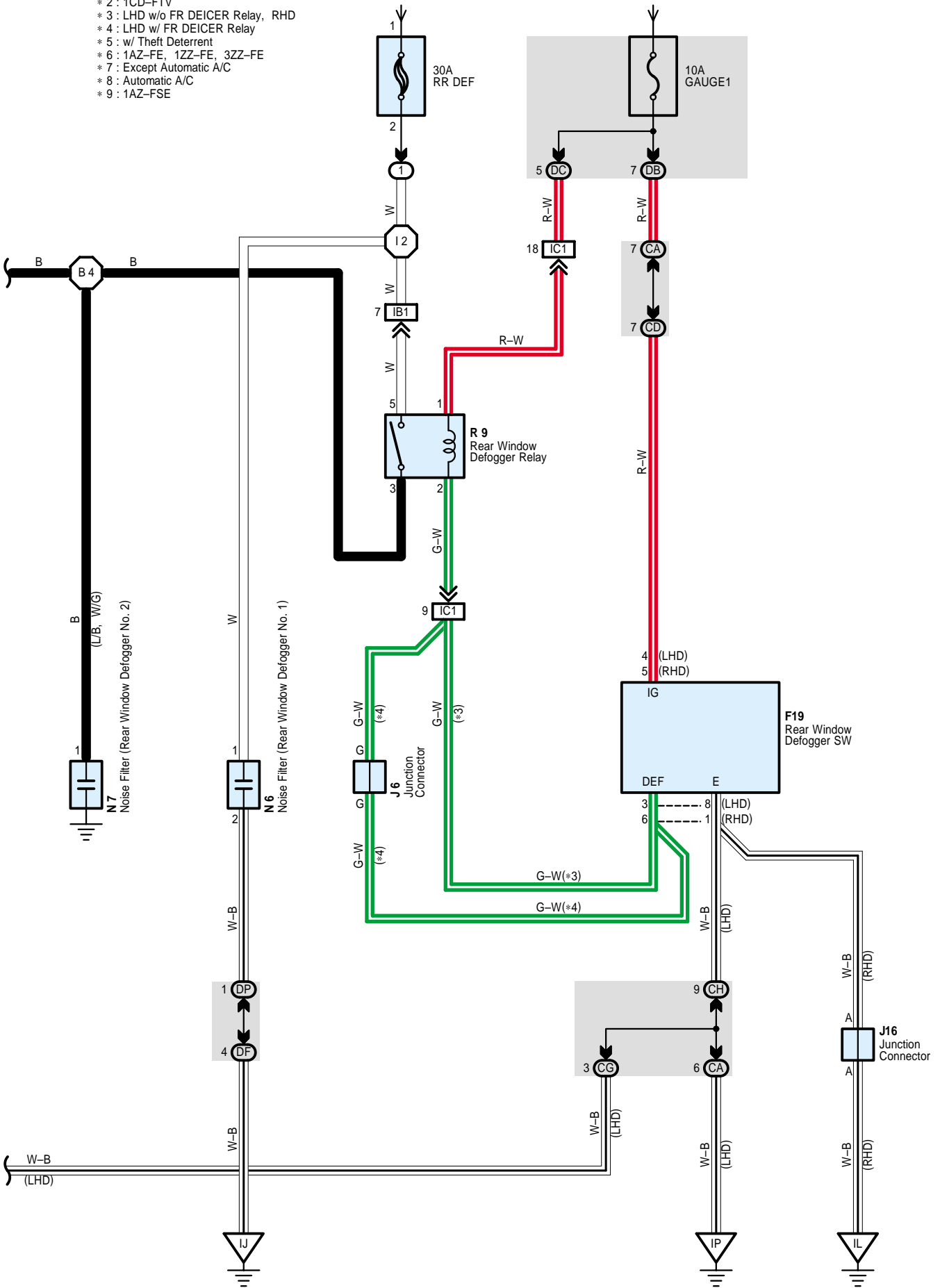
* 1 : Gasoline * 2 : 1CD-FTV * 3 : LHD 1AZ-FSE * 4 : LHD 1AZ-FE * 5 : LHD 1ZZ-FE, 3ZZ-FE * 6 : LHD 1CD-FTV
 * 7 : RHD 1AZ-FSE * 8 : RHD 1AZ-FE * 9 : RHD 1ZZ-FE, 3ZZ-FE * 10 : RHD 1CD-FTV

Rear Window Defogger



- * 1 : Gasoline
- * 2 : 1CD-FTV
- * 3 : LHD w/o FR DEICER Relay, RHD
- * 4 : LHD w/ FR DEICER Relay
- * 5 : w/ Theft Deterrent
- * 6 : 1AZ-FE, 1ZZ-FE, 3ZZ-FE
- * 7 : Except Automatic A/C
- * 8 : Automatic A/C
- * 9 : 1AZ-FSE

From Power Source System (See Page 120)



Rear Window Defogger

Service Hints

R9 Rear Window Defogger Relay

5-3 : Closed with the ignition SW at ON position and rear window defogger SW at ON position

○ : Parts Location

Code		See Page	Code	See Page	Code	See Page	
A13	A	46 (LHD)	I14	47 (LHD)	R9	69 (RHD)	
		66 (RHD)		67 (RHD)		51 (LHD S/D)	
A15	B	46 (LHD)	J6	48 (LHD)	R18	A	
		66 (RHD)	J15	68 (RHD)			53 (LHD L/B)
A16	C	46 (LHD)	J16	48 (LHD)			55 (LHD W/G)
		66 (RHD)		68 (RHD)			71 (RHD S/D)
C10		46 (LHD)	J17	68 (RHD)			73 (RHD L/B)
		66 (RHD)		49 (LHD)			75 (RHD W/G)
E9	A	47 (LHD)	N6	69 (RHD)			R19
		67 (RHD)		53 (LHD L/B)	51 (LHD S/D)		
E10	B	47 (LHD)	N7	55 (LHD W/G)	53 (LHD L/B)		
		67 (RHD)		73 (RHD L/B)	55 (LHD W/G)		
F19		47 (LHD)		75 (RHD W/G)	71 (RHD S/D)		
		67 (RHD)		R9	49 (LHD)	73 (RHD L/B)	
					75 (RHD W/G)		
					T6	69 (RHD)	

○ : Relay Blocks

Code	See Page	Relay Blocks (Relay Block Location)
1	24 (*1)	Engine Room R/B No.1 (Engine Compartment Left)
	25 (*2)	
6	29	Fuse Block (Lower Finish Panel)

○ : Junction Block and Wire Harness Connector

Code	See Page	Junction Block and Wire Harness (Connector Location)
CA	34	Instrument Panel Wire and Center J/B (Instrument Panel Reinforcement RH)
CD		
CG	35	
CH		
DB	30	Instrument Panel Wire and Driver Side J/B (Left Side of the Instrument Panel)
DC		
DF		
DP	31	Engine Room Main Wire and Driver Side J/B (Left Side of the Instrument Panel)

* 1 : Gasoline * 2 : 1CD-FTV * 3 : LHD 1AZ-FSE * 4 : LHD 1AZ-FE * 5 : LHD 1ZZ-FE, 3ZZ-FE * 6 : LHD 1CD-FTV
 * 7 : RHD 1AZ-FSE * 8 : RHD 1AZ-FE * 9 : RHD 1ZZ-FE, 3ZZ-FE * 10 : RHD 1CD-FTV

 : Connector Joining Wire Harness and Wire Harness

Code	See Page	Joining Wire Harness and Wire Harness (Connector Location)
IB1	86 (LHD)	Engine Room Main Wire and Floor Wire (Near the Driver Side J/B)
	106 (RHD)	
IC1	86 (LHD)	Instrument Panel Wire and Floor Wire (Left Kick Panel)
	106 (RHD)	
IC3	86 (LHD)	
	106 (RHD)	
BD1	92 (LHD L/B)	Back Door No.1 Wire and Floor Wire (Under the Left Quarter Pillar)
	112 (RHD L/B)	
BE1	92 (LHD L/B)	Back Door No.2 Wire and Back Door No.1 Wire (Back Door Upper Left)
	112 (RHD L/B)	
BF1	94 (LHD W/G)	Back Door No.1 Wire and Floor Wire (Under the Left Quarter Pillar)
	114 (RHD W/G)	
BG1	94 (LHD W/G)	Back Door No.1 Wire and Back Door No.2 Wire (Back Door Left)
	114 (RHD W/G)	

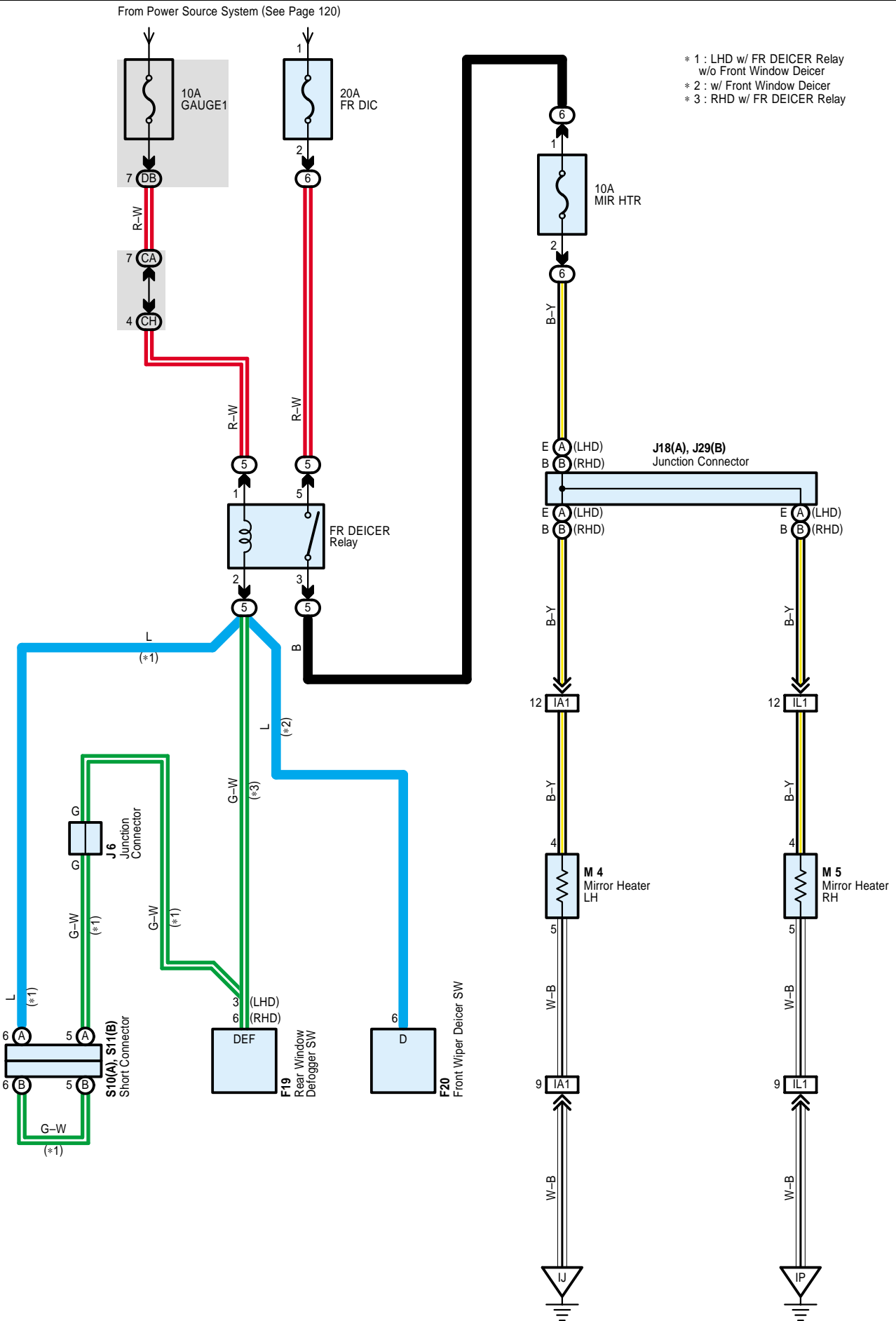
 : Ground Points

Code	See Page	Ground Points Location
IJ	86 (LHD)	Left Kick Panel
	106 (RHD)	
IK	106 (RHD)	Behind the Combination Meter
IL	86 (LHD)	
IP	106 (RHD)	Right Kick Panel
BW	90 (LHD S/D)	Right Quarter Panel
	110 (RHD S/D)	
BX	92 (LHD L/B)	Right Side of the Back Door
	94 (LHD W/G)	
	112 (RHD L/B)	
	114 (RHD W/G)	

 : Splice Points

Code	See Page	Wire Harness with Splice Points	Code	See Page	Wire Harness with Splice Points
I2	88 (LHD)	Engine Room Main Wire	B4	94 (LHD W/G)	Floor Wire
	108 (RHD)				
B4	90 (LHD S/D)	Floor Wire		110 (RHD S/D)	
	92 (LHD L/B)			112 (RHD L/B)	
			114 (RHD W/G)		

Mirror Heater



Service Hints

M4, M5 Mirror Heater LH, RH

4-Ground : Approx. 12 volts with the front deicer SW (w/ front deicer) or rear window defogger SW (w/o front deicer) on

5-Ground : Always continuity

○ : Parts Location

Code	See Page	Code	See Page	Code	See Page
F19	47 (LHD)	M4	53 (LHD L/B)	M5	55 (LHD W/G)
	67 (RHD)		55 (LHD W/G)		71 (RHD S/D)
F20	47 (LHD)		71 (RHD S/D)		73 (RHD L/B)
J6	48 (LHD)		73 (RHD L/B)		75 (RHD W/G)
J18	A 48 (LHD)		75 (RHD W/G)	S10	A 49 (LHD)
J29	B 68 (RHD)	M5	51 (LHD S/D)	S11	B 49 (LHD)
M4	51 (LHD S/D)		53 (LHD L/B)		

○ : Relay Blocks

Code	See Page	Relay Blocks (Relay Block Location)
5	28 (LHD)	Driver Side R/B (Left Side of the Instrument Panel)
	28 (RHD)	Driver Side R/B (Instrument Panel Reinforcement LH)
6	29	Fuse Block (Lower Finish Panel)

○ : Junction Block and Wire Harness Connector

Code	See Page	Junction Block and Wire Harness (Connector Location)
CA	34	Instrument Panel Wire and Center J/B (Instrument Panel Reinforcement RH)
CH	35	
DB	30	Instrument Panel Wire and Driver Side J/B (Left Side of the Instrument Panel)

□ : Connector Joining Wire Harness and Wire Harness

Code	See Page	Joining Wire Harness and Wire Harness (Connector Location)
IA1	86 (LHD)	Front Door LH Wire and Instrument Panel Wire (Left Kick Panel)
	106 (RHD)	
IL1	88 (LHD)	Front Door RH Wire and Instrument Panel Wire (Right Kick Panel)
	108 (RHD)	

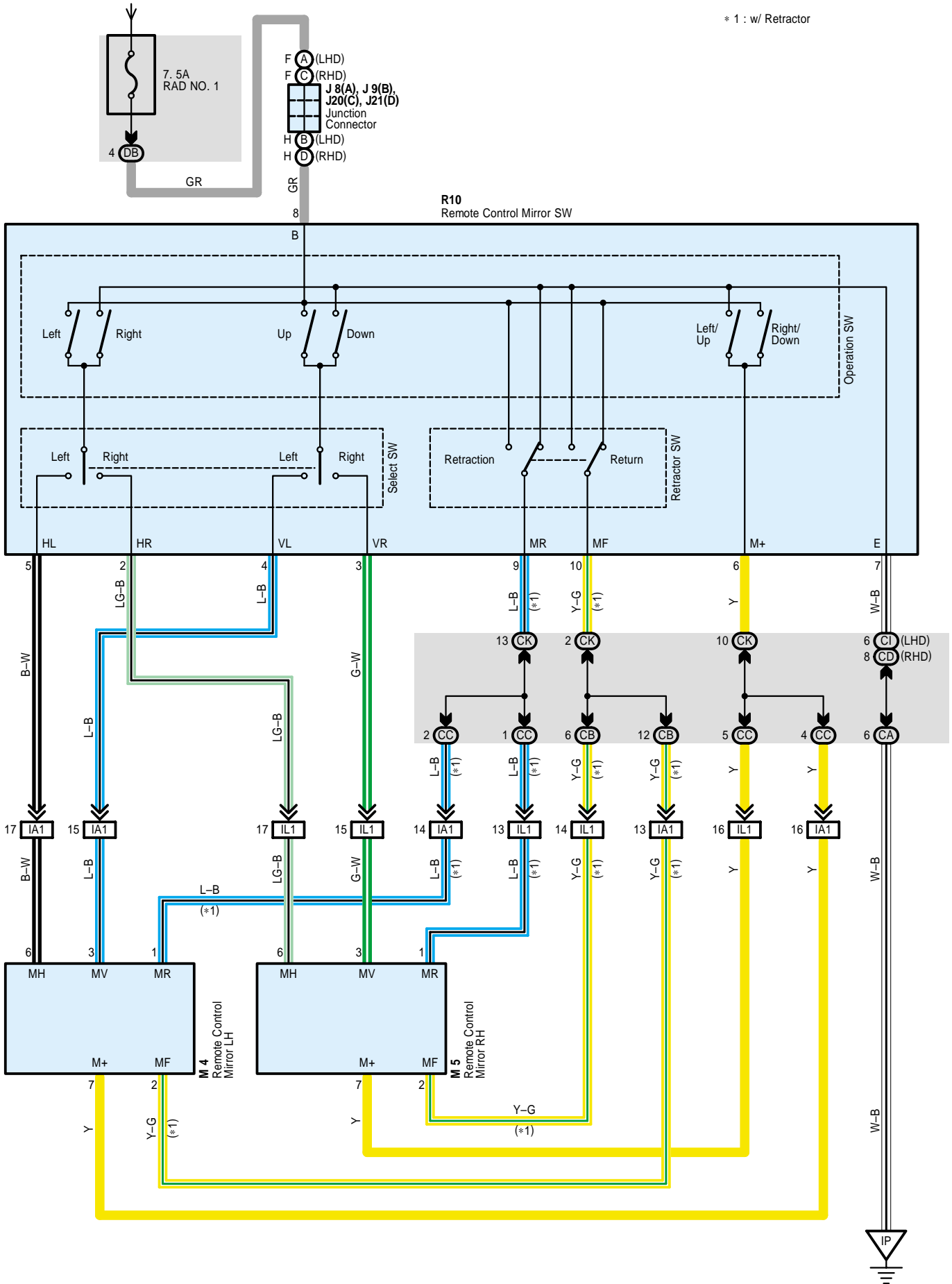
▽ : Ground Points

Code	See Page	Ground Points Location
IJ	86 (LHD)	Left Kick Panel
	106 (RHD)	
IP	86 (LHD)	Right Kick Panel
	106 (RHD)	

Remote Control Mirror

From Power Source System (See Page 120)

* 1 : w/ Retractor



Service Hints**R10 Remote Control Mirror SW**

- 8-Ground : Approx. 12 volts with ignition SW at ACC or ON position
- 7-Ground : Always continuity
- 8-6 : Continuity with the operation SW at RIGHT or DOWN position
- 6-7 : Continuity with the operation SW at LEFT or UP position
- 8-9, 10-7 : Continuity with the retractor SW at RETRACTION position
- 8-10, 9-7 : Continuity with the retractor SW at RETURN position

○ : Parts Location

Code	See Page	Code	See Page	Code	See Page
J8	A	48 (LHD)	M4	55 (LHD W/G)	M5
J9	B	48 (LHD)		71 (RHD S/D)	
J20	C	68 (RHD)		73 (RHD L/B)	
J21	D	68 (RHD)		75 (RHD W/G)	
M4		51 (LHD S/D)	M5	51 (LHD S/D)	R10
		53 (LHD L/B)		53 (LHD L/B)	

○ : Junction Block and Wire Harness Connector

Code	See Page	Junction Block and Wire Harness (Connector Location)
CA	34	Instrument Panel Wire and Center J/B (Instrument Panel Reinforcement RH)
CB		
CC		
CD		
CI	35	Instrument Panel Wire and Driver Side J/B (Left Side of the Instrument Panel)
CK		
DB	30	Instrument Panel Wire and Driver Side J/B (Left Side of the Instrument Panel)

□ : Connector Joining Wire Harness and Wire Harness

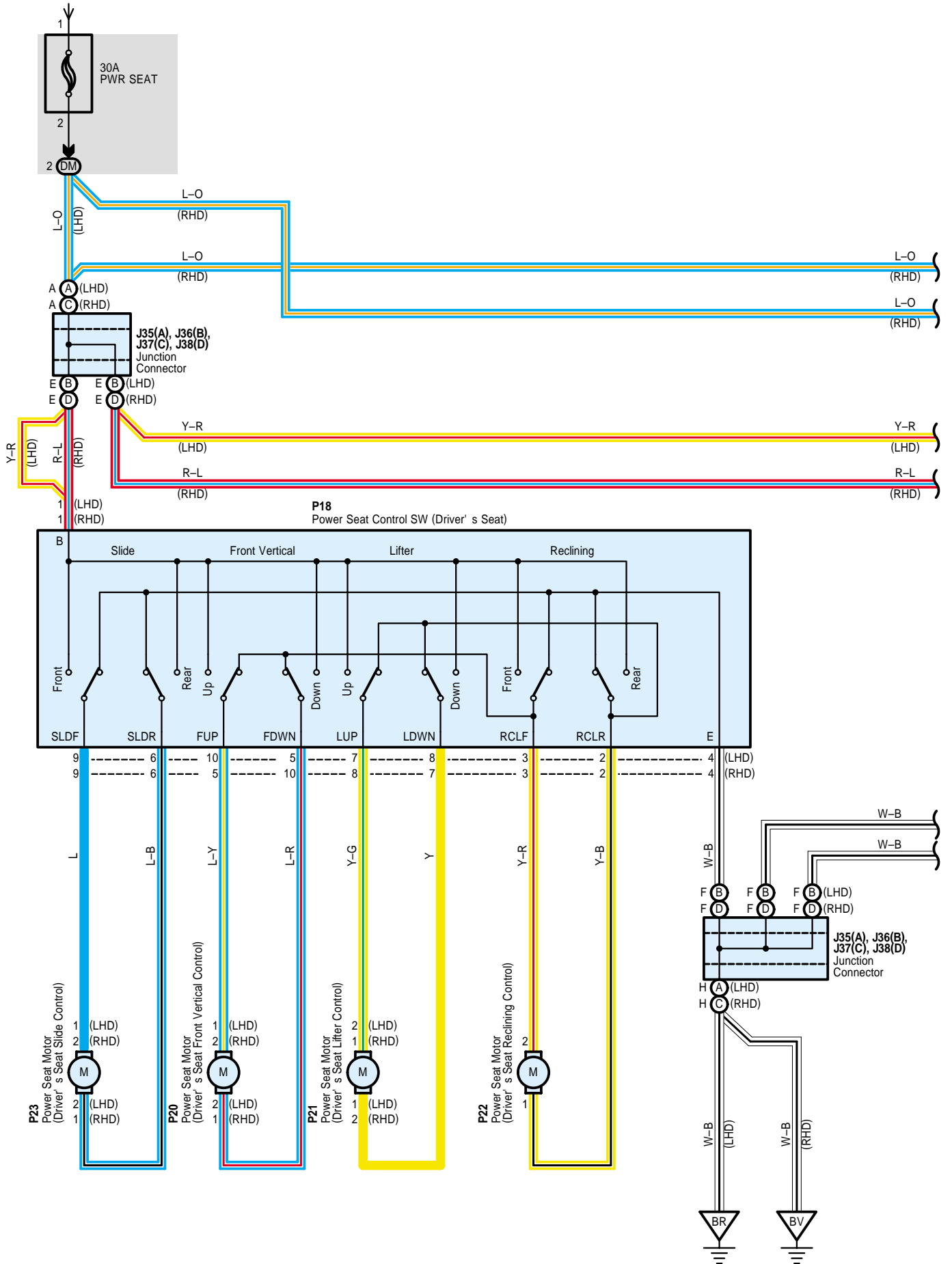
Code	See Page	Joining Wire Harness and Wire Harness (Connector Location)
IA1	86 (LHD)	Front Door LH Wire and Instrument Panel Wire (Left Kick Panel)
	106 (RHD)	
IL1	88 (LHD)	Front Door RH Wire and Instrument Panel Wire (Right Kick Panel)
	108 (RHD)	

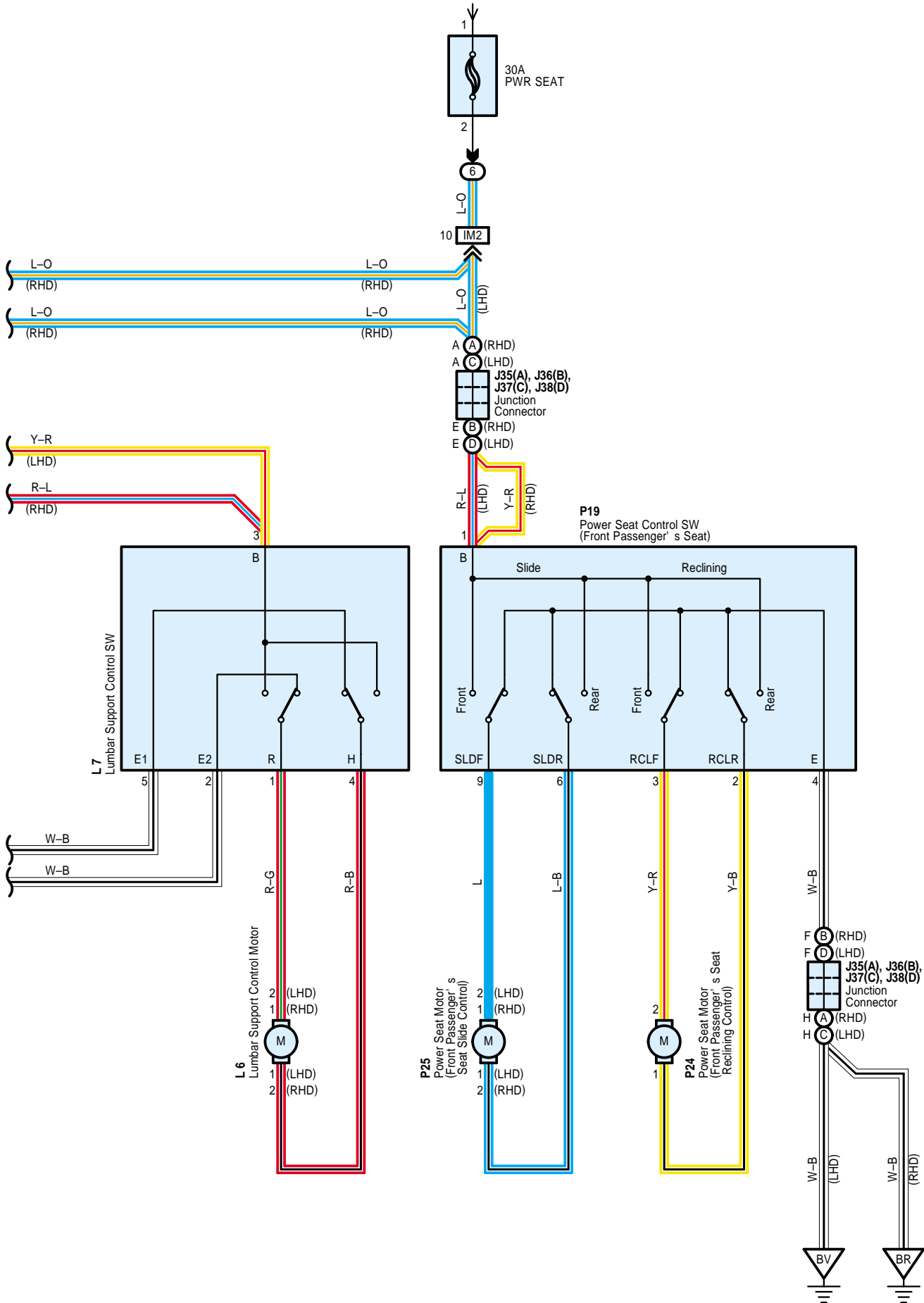
▽ : Ground Points

Code	See Page	Ground Points Location
IP	86 (LHD)	Right Kick Panel
	106 (RHD)	

Power Seat

From Power Source System (See Page 120)





Power Seat

Service Hints

P18 Power Seat Control SW (Driver's Seat)

- 1-Ground : Always approx. 12 volts
- 4-Ground : Always continuity

P19 Power Seat Control SW (Front Passenger's Seat)

- 1-Ground : Always approx. 12 volts
- 4-Ground : Always continuity

○ : Parts Location

Code		See Page	Code	See Page	Code	See Page
J35	A	56 (LHD)	L7	56 (LHD)	P22	56 (LHD)
		76 (RHD)		76 (RHD)		76 (RHD)
J36	B	56 (LHD)	P18	56 (LHD)	P23	56 (LHD)
		76 (RHD)		76 (RHD)		76 (RHD)
J37	C	56 (LHD)	P19	56 (LHD)	P24	56 (LHD)
		76 (RHD)		76 (RHD)		76 (RHD)
J38	D	56 (LHD)	P20	56 (LHD)	P25	56 (LHD)
		76 (RHD)		76 (RHD)		76 (RHD)
L6		56 (LHD)	P21	56 (LHD)		
		76 (RHD)		76 (RHD)		

○ : Relay Blocks

Code	See Page	Relay Blocks (Relay Block Location)
6	29	Fuse Block (Lower Finish Panel)

○ : Junction Block and Wire Harness Connector

Code	See Page	Junction Block and Wire Harness (Connector Location)
DM	31	Floor Wire and Driver Side J/B (Left Side of the Instrument Panel)

□ : Connector Joining Wire Harness and Wire Harness

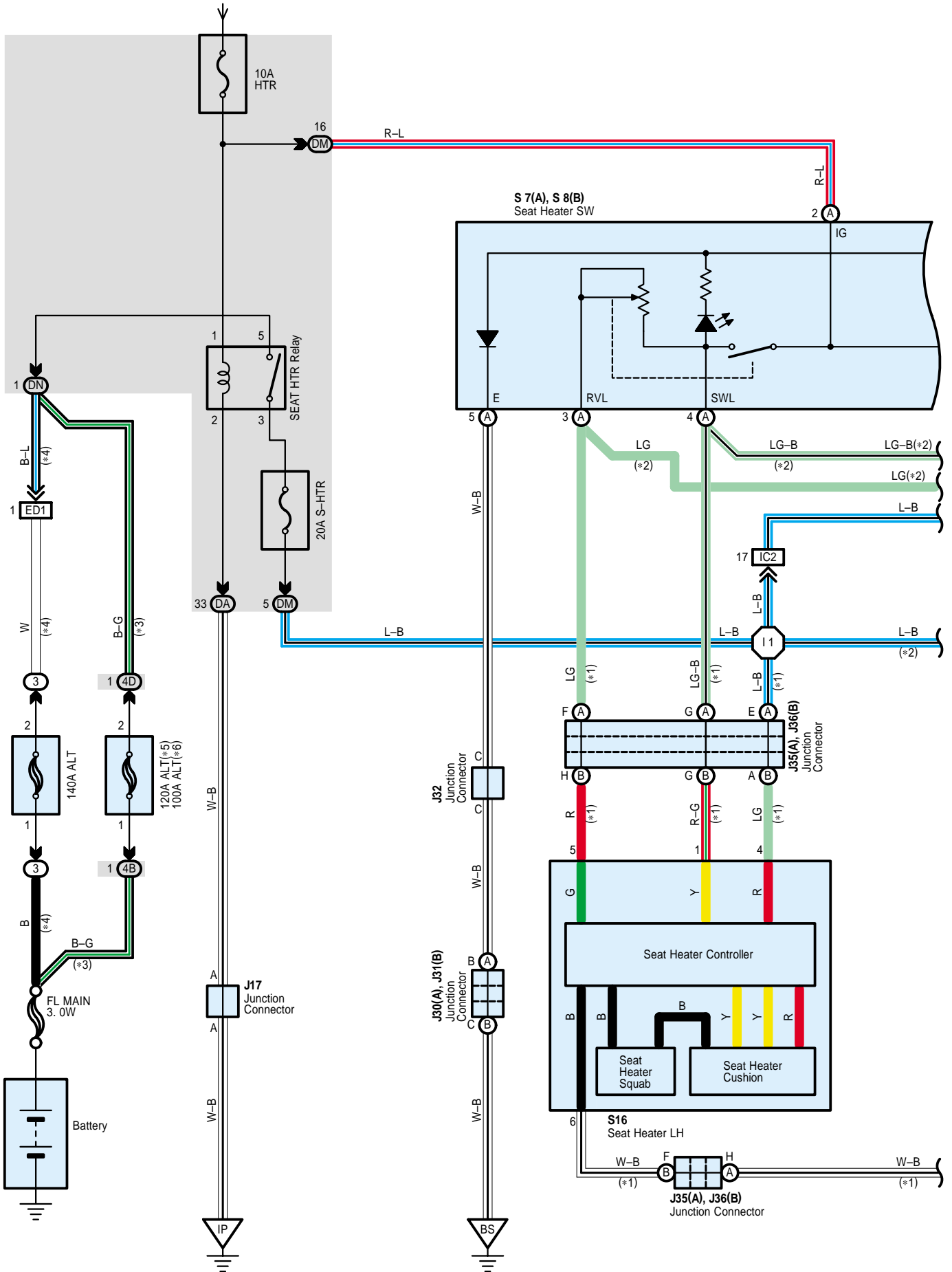
Code	See Page	Joining Wire Harness and Wire Harness (Connector Location)
IM2	88 (LHD)	Instrument Panel Wire and Floor No.2 Wire (Right Kick Panel)
	108 (RHD)	

▽ : Ground Points

Code	See Page	Ground Points Location
BR	90 (LHD S/D)	Under the Left Center Pillar
	92 (LHD L/B)	
	94 (LHD W/G)	
	110 (RHD S/D)	
	112 (RHD L/B)	
	114 (RHD W/G)	
BV	90 (LHD S/D)	Under the Right Center Pillar
	92 (LHD L/B)	
	94 (LHD W/G)	
	110 (RHD S/D)	
	112 (RHD L/B)	
	114 (RHD W/G)	

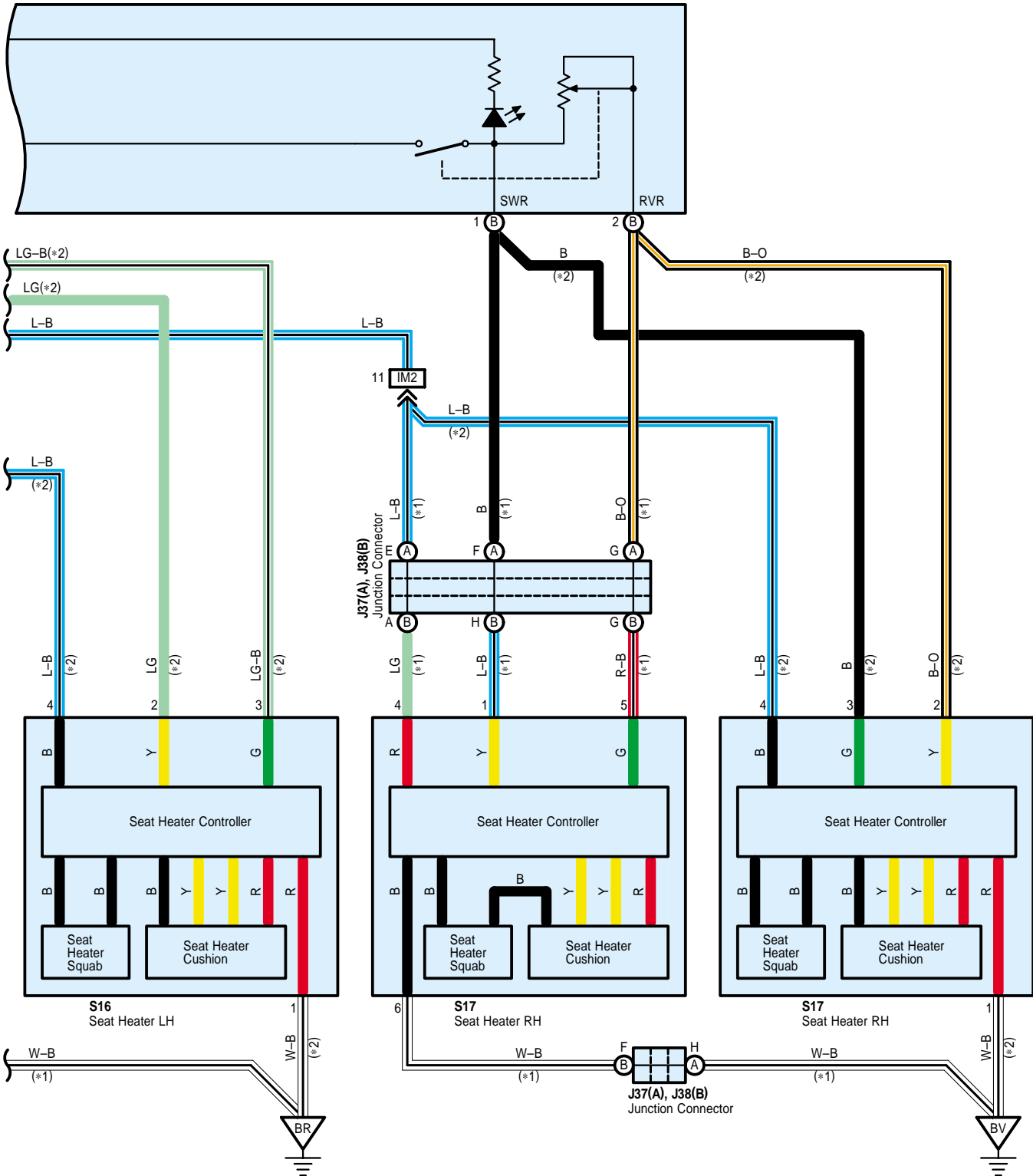
Seat Heater

From Power Source System (See Page 120)



- * 1 : w/ Power Seat
- * 2 : w/o Power Seat
- * 3 : Gasoline
- * 4 : 1CD-FTV
- * 5 : 1AZ-FSE, 1AZ-FE
- * 6 : 1ZZ-FE, 3ZZ-FE

S 7(A), S 8(B)
Seat Heater SW



Seat Heater

Service Hints

S7 Seat Heater SW

- 2-Ground : Approx. 12 volts with the ignition SW at ON position
- 5-Ground : Always continuity

○ : Parts Location

Code	See Page	Code	See Page	Code	See Page		
J17	48 (LHD)	J31	B	55 (LHD W/G)	J37	A	56 (LHD)
J30	A	J32		51 (LHD S/D)	J38	B	56 (LHD)
				53 (LHD L/B)	S7	A	49 (LHD)
				55 (LHD W/G)	S8	B	49 (LHD)
J31	B	J35	A	56 (LHD)	S16		56 (LHD)
				J36	B	56 (LHD)	S17

○ : Relay Blocks

Code	See Page	Relay Blocks (Relay Block Location)
3	26	Engine Room R/B No.3 (Left Side of the Suspension Tower)

○ : Junction Block and Wire Harness Connector

Code	See Page	Junction Block and Wire Harness (Connector Location)
4B	27	Engine Room Main Wire and Engine Room J/B No.4 (Left Side of the Suspension Tower)
4D		
DA	30	Instrument Panel Wire and Driver Side J/B (Left Side of the Instrument Panel)
DM	31	Floor Wire and Driver Side J/B (Left Side of the Instrument Panel)
DN	31	Engine Room Main Wire and Driver Side J/B (Left Side of the Instrument Panel)

□ : Connector Joining Wire Harness and Wire Harness

Code	See Page	Joining Wire Harness and Wire Harness (Connector Location)
ED1	84 (*6)	Engine Wire and Engine Room Main Wire (Left Side of the Suspension Tower)
IC2	86 (LHD)	Instrument Panel Wire and Floor Wire (Left Kick Panel)
IM2	88 (LHD)	Instrument Panel Wire and Floor No.2 Wire (Right Kick Panel)

▽ : Ground Points

Code	See Page	Ground Points Location
IP	86 (LHD)	Right Kick Panel
BR	90 (LHD S/D)	Under the Left Center Pillar
	92 (LHD L/B)	
	94 (LHD W/G)	
BS	90 (LHD S/D)	Lower Back Panel Left
	92 (LHD L/B)	
	94 (LHD W/G)	
BV	90 (LHD S/D)	Under the Right Center Pillar
	92 (LHD L/B)	
	94 (LHD W/G)	

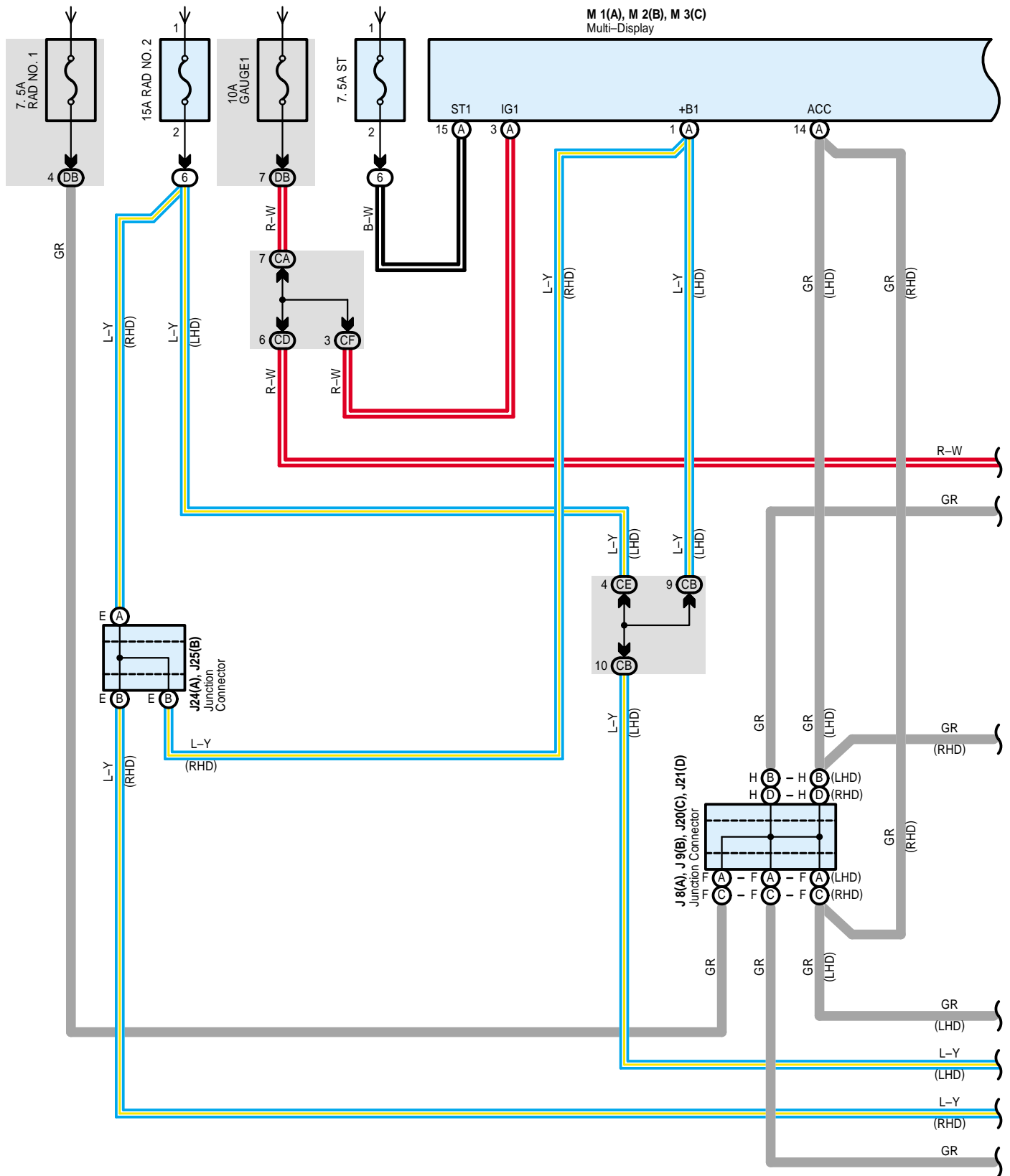
○ : Splice Points

Code	See Page	Wire Harness with Splice Points	Code	See Page	Wire Harness with Splice Points
I1	88 (LHD)	Floor Wire			

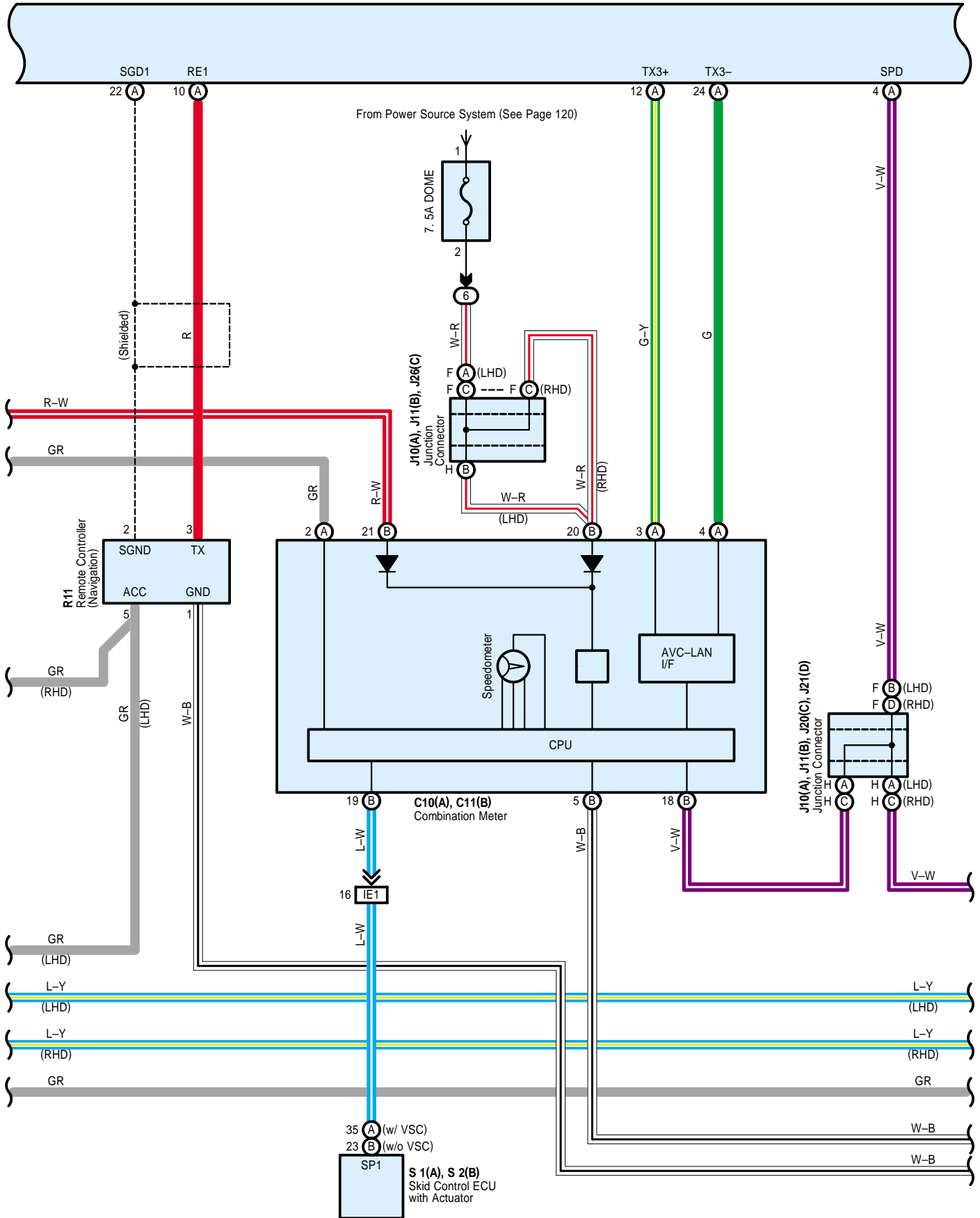
- * 1 : Gasoline * 2 : 1CD-FTV * 3 : LHD 1AZ-FSE * 4 : LHD 1AZ-FE * 5 : LHD 1ZZ-FE, 3ZZ-FE * 6 : LHD 1CD-FTV
- * 7 : RHD 1AZ-FSE * 8 : RHD 1AZ-FE * 9 : RHD 1ZZ-FE, 3ZZ-FE * 10 : RHD 1CD-FTV

Navigation System (Map Type)

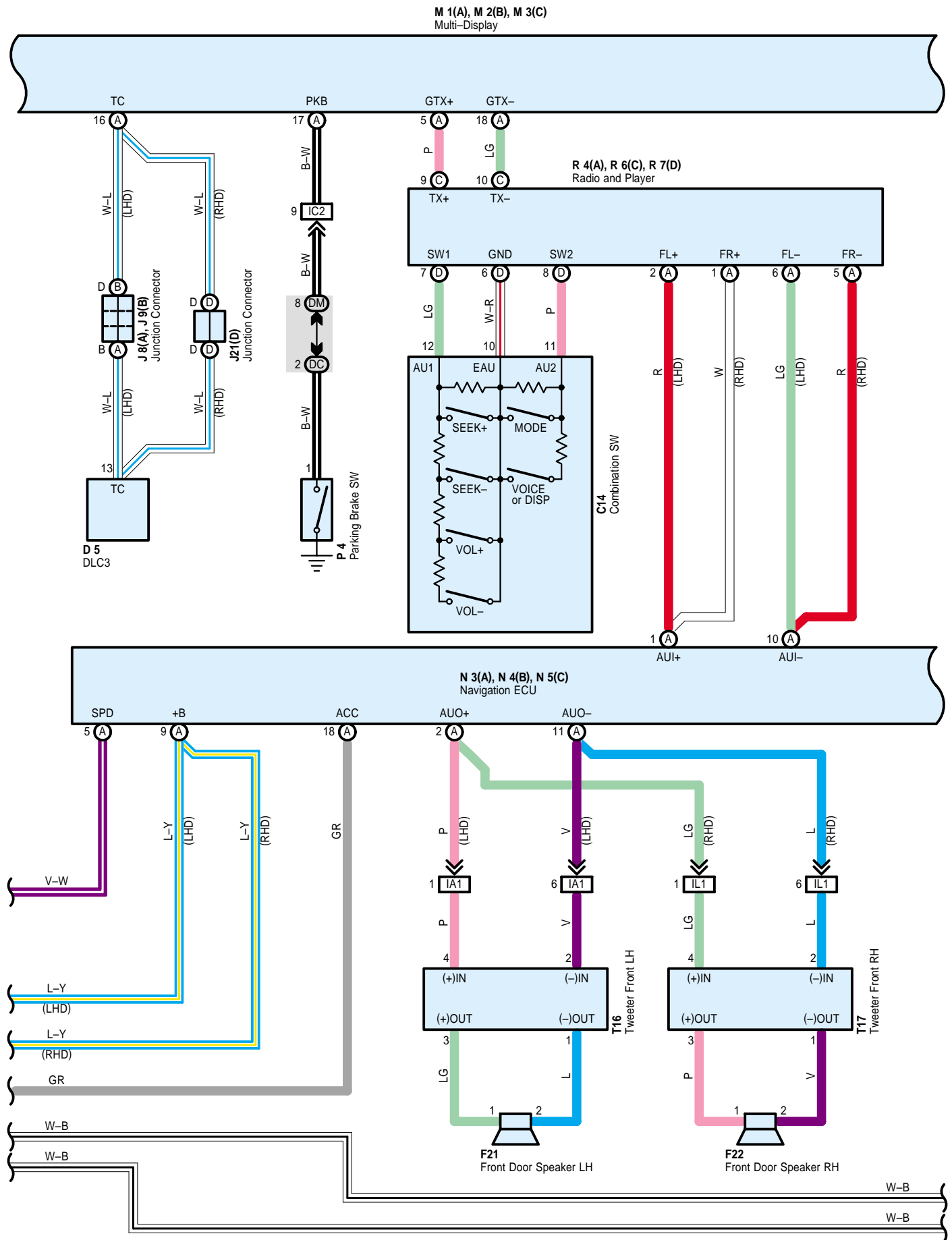
From Power Source System (See Page 120)



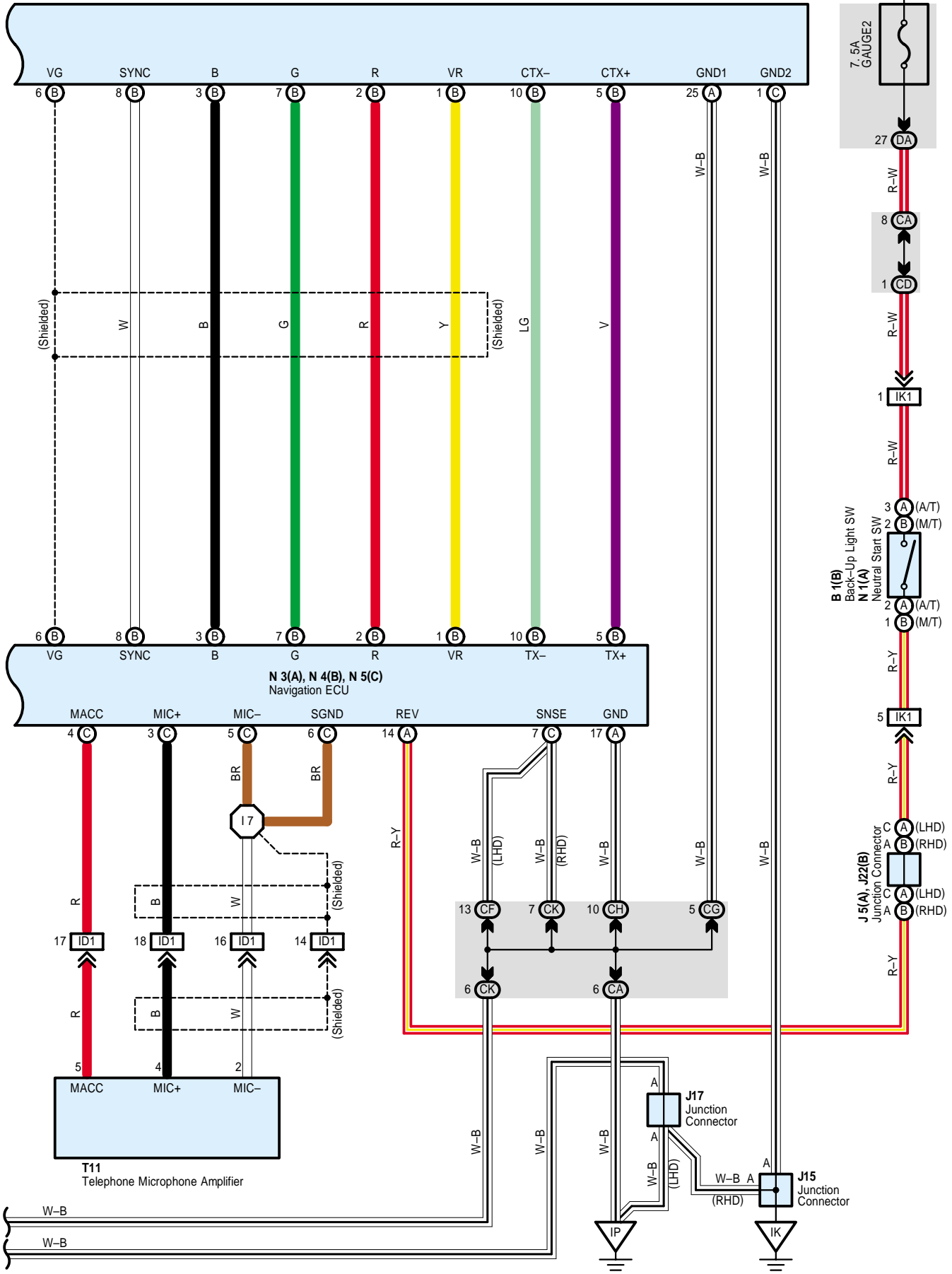
M 1(A), M 2(B), M 3(C)
Multi-Display



Navigation System (Map Type)



M 1(A), M 2(B), M 3(C)
Multi-Display



Navigation System (Map Type)

System Outline

The navigation system precisely measures the current vehicle position, displays the map obtained from the map database on the screen, and informs the route to the destination shown on the map using voice guidance. The navigation system is also capable of recognizing voice and enables you to operate itself or the audio system by briefly pressing the voice operation switch and giving a voice command.

Service Hints

N3 (A) Navigation ECU

- (A) 9–Ground : Always approx. 12 volts
- (A) 18–Ground : Approx. 12 volts with the ignition SW at ACC or ON position
- (A) 17–Ground : Always continuity

R11 Remote Controller (Navigation)

- 5–Ground : Approx. 12 volts with the ignition SW at ACC or ON position
- 1–Ground : Always continuity

M1 (A), M3 (C) Multi-Display

- (A) 1–Ground : Always approx. 12 volts
- (A) 14–Ground : Approx. 12 volts with the ignition SW at ACC or ON position
- (A) 3–Ground : Approx. 12 volts with the ignition SW at ON position
- (A) 25, (C) 1–Ground : Always continuity

○ : Parts Location

Code		See Page	Code		See Page	Code		See Page
B1	B	38 (*3)	J15	48 (LHD)		R6	C	69 (RHD)
		40 (*4)		68 (RHD)		R7	D	49 (LHD)
		42 (*5)		48 (LHD)				69 (RHD)
		44 (*6)	J17	68 (RHD)		R11		49 (LHD)
		58 (*7)		J20	C	68 (RHD)	69 (RHD)	
		62 (*9)	J21	D	68 (RHD)	S1	A	39 (*3)
		64 (*10)	J22	B	68 (RHD)			45 (*6)
46 (LHD)	J24	A	68 (RHD)	59 (*7)				
66 (RHD)	J25	B	68 (RHD)	65 (*10)				
46 (LHD)	J26	C	68 (RHD)	S2	B			41 (*4)
66 (RHD)	M1	A	48 (LHD)			43 (*5)		
46 (LHD)		68 (RHD)	45 (*6)					
66 (RHD)	M2	B	48 (LHD)			63 (*9)		
47 (LHD)		68 (RHD)	65 (*10)					
67 (RHD)	M3	C	48 (LHD)			T11	51 (LHD S/D)	
50 (LHD S/D)		68 (RHD)					53 (LHD L/B)	
52 (LHD L/B)		39 (*3)					55 (LHD W/G)	
54 (LHD W/G)	N1	A	41 (*4)				71 (RHD S/D)	
70 (RHD S/D)			43 (*5)				73 (RHD L/B)	
72 (RHD L/B)			59 (*7)	75 (RHD W/G)				
74 (RHD W/G)			63 (*9)	51 (LHD S/D)				
50 (LHD S/D)	N3	A	49 (LHD)	T16	53 (LHD L/B)			
52 (LHD L/B)			69 (RHD)		55 (LHD W/G)			
54 (LHD W/G)	N4	B	49 (LHD)		71 (RHD S/D)			
70 (RHD S/D)			69 (RHD)		73 (RHD L/B)			
72 (RHD L/B)	N5	C	49 (LHD)		75 (RHD W/G)			
74 (RHD W/G)			69 (RHD)		51 (LHD S/D)			
J5	A	48 (LHD)			T17	53 (LHD L/B)		
J8	A	48 (LHD)				55 (LHD W/G)		
J9	B	48 (LHD)				71 (RHD S/D)		
J10	A	48 (LHD)				73 (RHD L/B)		
J11	B	48 (LHD)		75 (RHD W/G)				
P4		49 (LHD)						
R4		A	69 (RHD)					
R6		C	49 (LHD)					

○ : Relay Blocks

Code	See Page	Relay Blocks (Relay Block Location)
6	29	Fuse Block (Lower Finish Panel)

○ : Junction Block and Wire Harness Connector

Code	See Page	Junction Block and Wire Harness (Connector Location)
CA	34	Instrument Panel Wire and Center J/B (Instrument Panel Reinforcement RH)
CB		
CD		
CE		
CF		
CG		
CH	35	
CK		
DA	30	Instrument Panel Wire and Driver Side J/B (Left Side of the Instrument Panel)
DB		
DC		
DM	31	Floor Wire and Driver Side J/B (Left Side of the Instrument Panel)

* 1 : Gasoline * 2 : 1CD-FTV * 3 : LHD 1AZ-FSE * 4 : LHD 1AZ-FE * 5 : LHD 1ZZ-FE, 3ZZ-FE * 6 : LHD 1CD-FTV

* 7 : RHD 1AZ-FSE * 8 : RHD 1AZ-FE * 9 : RHD 1ZZ-FE, 3ZZ-FE * 10 : RHD 1CD-FTV

Navigation System (Map Type)

 : **Connector Joining Wire Harness and Wire Harness**

Code	See Page	Joining Wire Harness and Wire Harness (Connector Location)
IA1	86 (LHD)	Front Door LH Wire and Instrument Panel Wire (Left Kick Panel)
	106 (RHD)	
IC2	86 (LHD)	Instrument Panel Wire and Floor Wire (Left Kick Panel)
	106 (RHD)	
ID1	86 (LHD)	Instrument Panel Wire and Roof Wire (Left Side of the Instrument Panel)
	106 (RHD)	
IE1	86 (LHD)	Engine Room Main Wire and Instrument Panel Wire (Behind the Combination Meter)
	106 (RHD)	Engine Room Main Wire and Instrument Panel Wire (Behind the Glove Box)
IK1	88 (LHD)	Engine Wire and Instrument Panel Wire (Behind the Glove Box)
	108 (RHD)	
IL1	88 (LHD)	Front Door RH Wire and Instrument Panel Wire (Right Kick Panel)
	108 (RHD)	

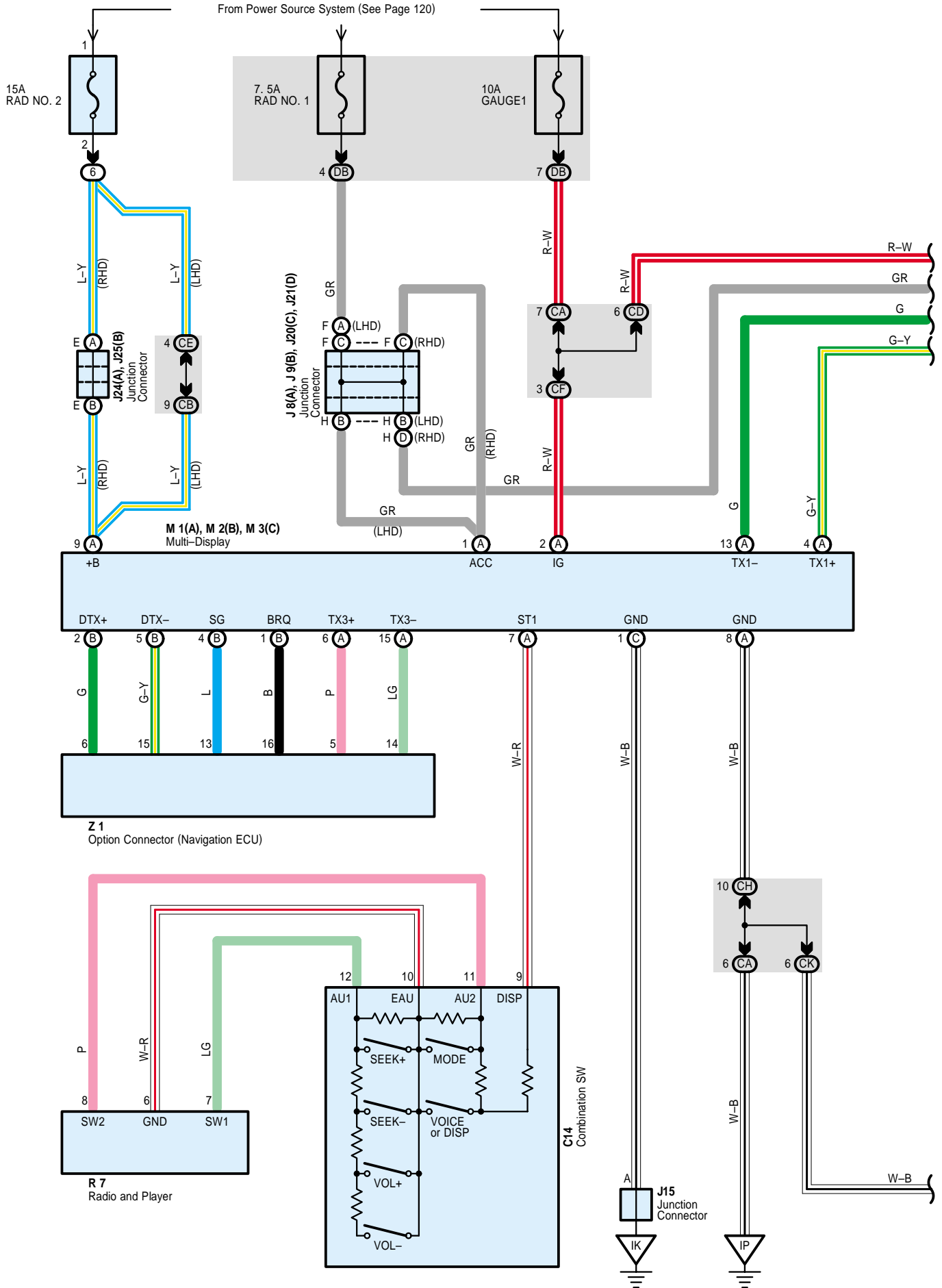
 : **Ground Points**

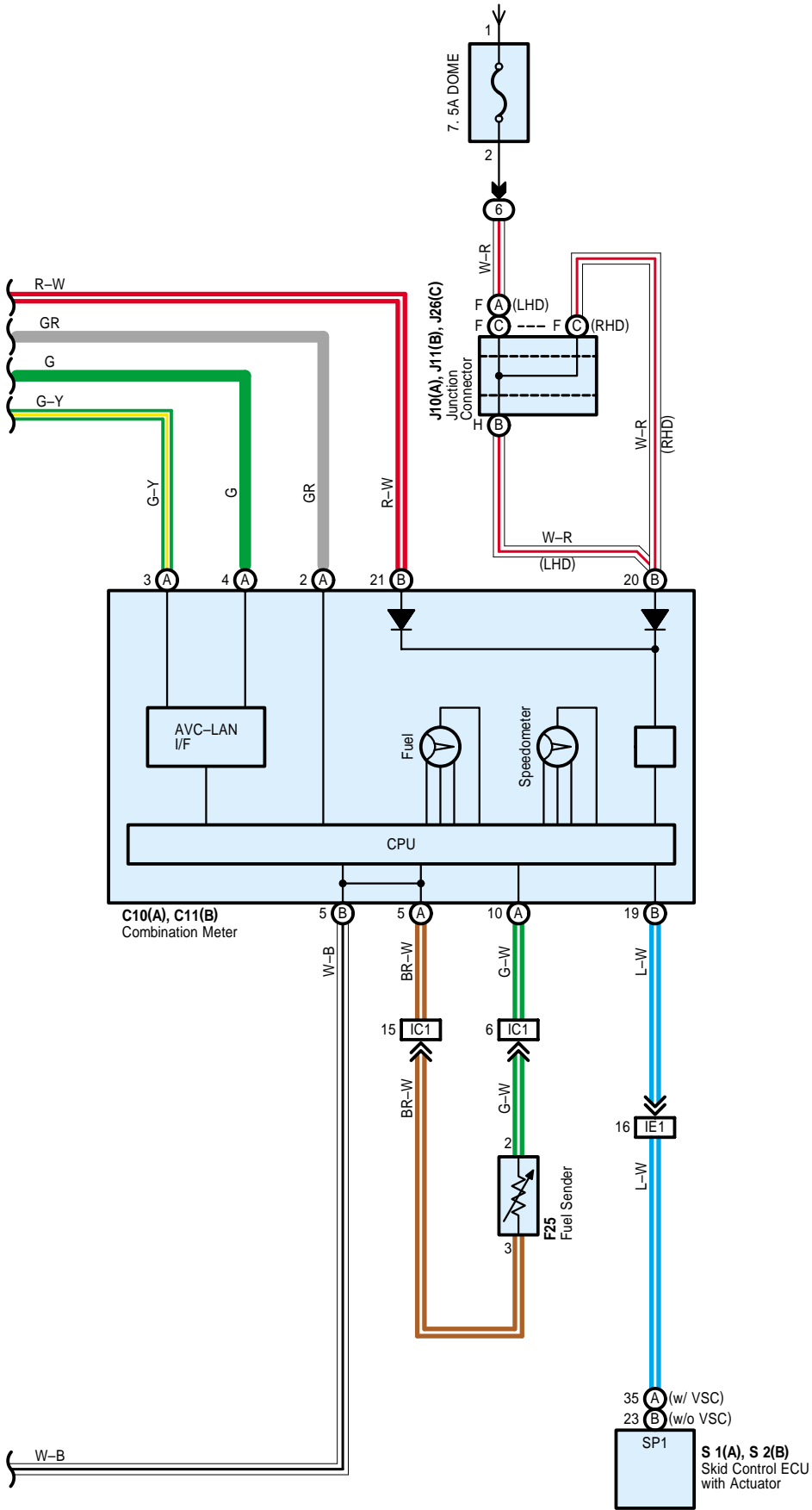
Code	See Page	Ground Points Location
IK	86 (LHD)	Behind the Combination Meter
	106 (RHD)	
IP	86 (LHD)	Right Kick Panel
	106 (RHD)	

 : **Splice Points**

Code	See Page	Wire Harness with Splice Points	Code	See Page	Wire Harness with Splice Points
I7	88 (LHD)	Instrument Panel Wire	I7	108 (RHD)	Instrument Panel Wire

Multi-Display (w/o Navigation System Map Type)





Multi-Display (w/o Navigation System Map Type)

Service Hints

M1 (A), M3 (C) Multi-Display

- (A) 2-Ground : Approx. 12 volts with the ignition SW at ON position
- (A) 1-Ground : Approx. 12 volts with the ignition SW at ACC or ON position
- (A) 9-Ground : Always approx. 12 volts
- (A) 8, (C) 1-Ground : Always continuity

○ : Parts Location

Code		See Page	Code		See Page	Code		See Page
C10	A	46 (LHD)	J10	A	48 (LHD)	M3	C	68 (RHD)
		66 (RHD)						
C11	B	46 (LHD)	J15		48 (LHD)	R7		49 (LHD)
		66 (RHD)						
C14		46 (LHD)	J20	C	68 (RHD)	S1	A	39 (*3)
		66 (RHD)	J21	D	68 (RHD)			45 (*6)
F25		50 (LHD S/D)	J24	A	68 (RHD)	S2	B	59 (*7)
		52 (LHD L/B)	J25	B	68 (RHD)			65 (*10)
		54 (LHD W/G)	J26	C	68 (RHD)			41 (*4)
		70 (RHD S/D)	M1	A	48 (LHD)			43 (*5)
		72 (RHD L/B)			68 (RHD)			45 (*6)
74 (RHD W/G)	M2	B	48 (LHD)	63 (*9)				
			68 (RHD)	65 (*10)				
J8	A	48 (LHD)				Z1		49 (LHD)
J9	B	48 (LHD)	M3	C	48 (LHD)			69 (RHD)

○ : Relay Blocks

Code	See Page	Relay Blocks (Relay Block Location)
6	29	Fuse Block (Lower Finish Panel)

○ : Junction Block and Wire Harness Connector

Code	See Page	Junction Block and Wire Harness (Connector Location)
CA	34	Instrument Panel Wire and Center J/B (Instrument Panel Reinforcement RH)
CB		
CD		
CE		
CF		
CH	35	
CK		
DB	30	Instrument Panel Wire and Driver Side J/B (Left Side of the Instrument Panel)

□ : Connector Joining Wire Harness and Wire Harness

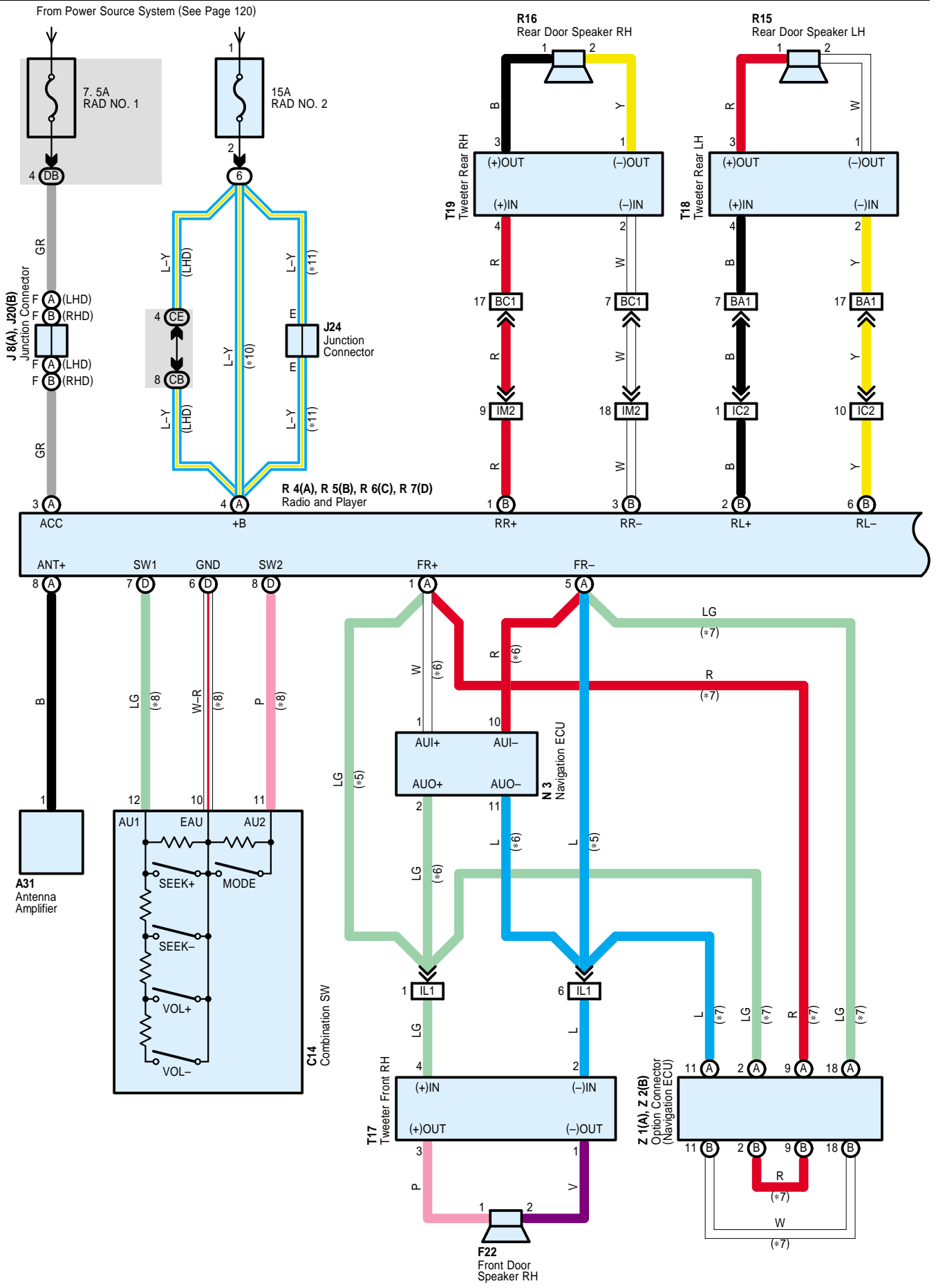
Code	See Page	Joining Wire Harness and Wire Harness (Connector Location)
IC1	86 (LHD)	Instrument Panel Wire and Floor Wire (Left Kick Panel)
	106 (RHD)	
IE1	86 (LHD)	Engine Room Main Wire and Instrument Panel Wire (Behind the Combination Meter)
	106 (RHD)	Engine Room Main Wire and Instrument Panel Wire (Behind the Glove Box)

▽ : Ground Points

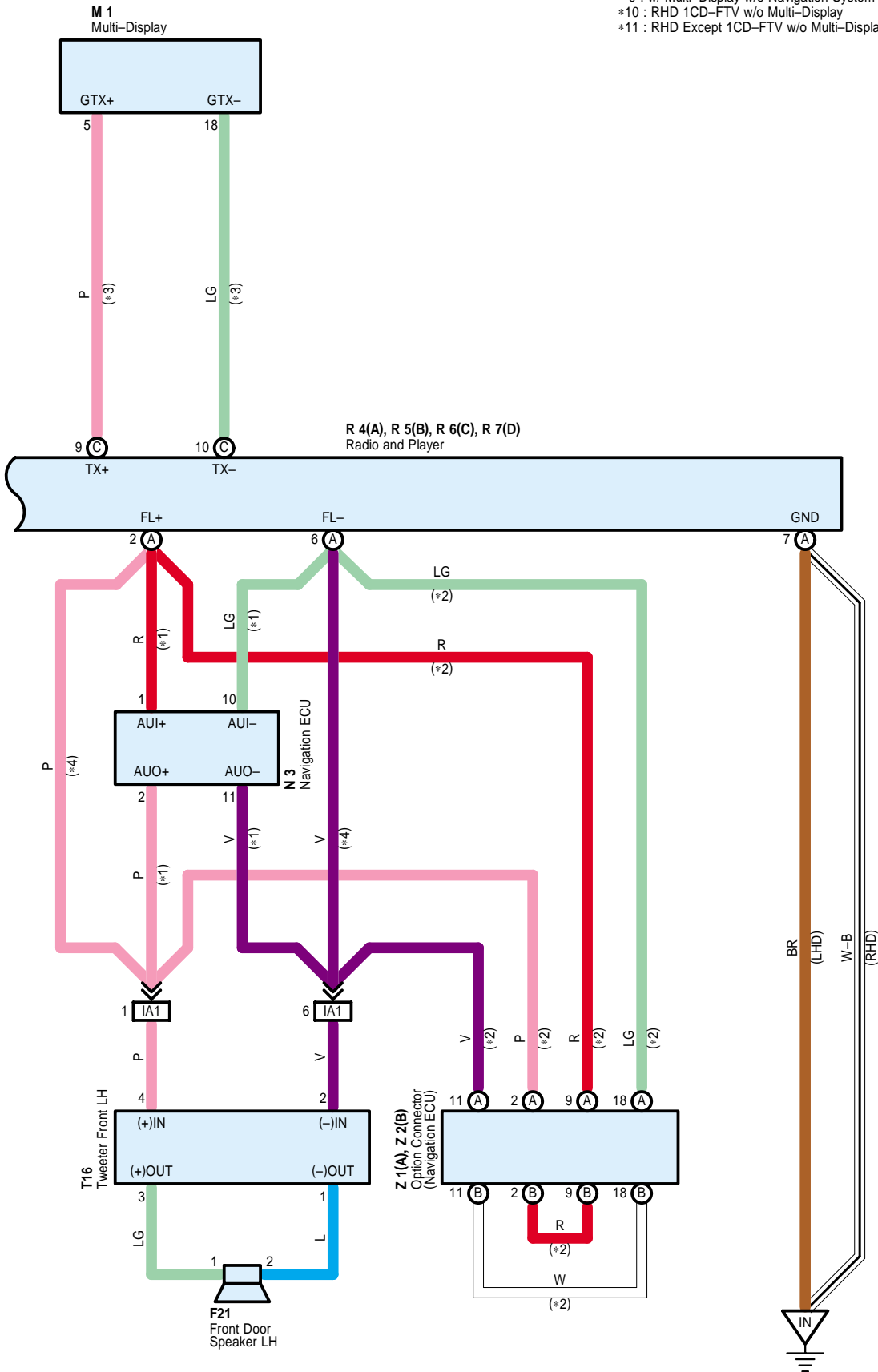
Code	See Page	Ground Points Location
IK	86 (LHD)	Behind the Combination Meter
	106 (RHD)	
IP	86 (LHD)	Right Kick Panel
	106 (RHD)	

* 1 : Gasoline * 2 : 1CD-FTV * 3 : LHD 1AZ-FSE * 4 : LHD 1AZ-FE * 5 : LHD 1ZZ-FE, 3ZZ-FE * 6 : LHD 1CD-FTV
 * 7 : RHD 1AZ-FSE * 8 : RHD 1AZ-FE * 9 : RHD 1ZZ-FE, 3ZZ-FE * 10 : RHD 1CD-FTV

Radio and Player



- * 1 : LHD *3
- * 2 : LHD *9
- * 3 : w/ Navigation System (Map Type)
- * 4 : RHD, LHD w/o Multi-Display
- * 5 : LHD, RHD w/o Multi-Display
- * 6 : RHD *3
- * 7 : RHD *9
- * 8 : w/ Steering SW
- * 9 : w/ Multi-Display w/o Navigation System (Map Type)
- * 10 : RHD 1CD-FTV w/o Multi-Display
- * 11 : RHD Except 1CD-FTV w/o Multi-Display



Radio and Player

Service Hints

R4 (A) Radio and Player

- (A) 4–Ground : Always approx. 12 volts
- (A) 3–Ground : Approx. 12 volts with the ignition SW at ACC or ON position
- (A) 7–Ground : Always continuity

○ : Parts Location

Code	See Page	Code	See Page	Code	See Page		
A31	46 (LHD)	R4	A	69 (RHD)	T16	75 (RHD W/G)	
	66 (RHD)					49 (LHD)	51 (LHD S/D)
C14	46 (LHD)	R5	B	69 (RHD)	T17	53 (LHD L/B)	
	66 (RHD)					49 (LHD)	55 (LHD W/G)
F21	50 (LHD S/D)	R6	C	69 (RHD)	T18	71 (RHD S/D)	
	52 (LHD L/B)					R7	D
	54 (LHD W/G)	R15	69 (RHD)	51 (LHD S/D)			
	70 (RHD S/D)					53 (LHD L/B)	51 (LHD S/D)
	72 (RHD L/B)					55 (LHD W/G)	53 (LHD L/B)
	74 (RHD W/G)					71 (RHD S/D)	55 (LHD W/G)
F22	50 (LHD S/D)	R16	73 (RHD L/B)	75 (RHD W/G)	T19	71 (RHD S/D)	
	52 (LHD L/B)					51 (LHD S/D)	53 (LHD L/B)
	54 (LHD W/G)					53 (LHD L/B)	55 (LHD W/G)
	70 (RHD S/D)					55 (LHD W/G)	71 (RHD S/D)
	72 (RHD L/B)					71 (RHD S/D)	73 (RHD L/B)
J8	A	48 (LHD)	73 (RHD L/B)	75 (RHD W/G)			
J20	B	68 (RHD)					
J24		68 (RHD)					
M1	48 (LHD)	T16	53 (LHD L/B)	55 (LHD W/G)	Z1	A	49 (LHD)
	68 (RHD)						71 (RHD S/D)
N3	49 (LHD)	71 (RHD S/D)	73 (RHD L/B)	75 (RHD W/G)	Z2	B	49 (LHD)
	69 (RHD)						73 (RHD L/B)
R4	A	49 (LHD)	73 (RHD L/B)				

○ : Relay Blocks

Code	See Page	Relay Blocks (Relay Block Location)
6	29	Fuse Block (Lower Finish Panel)

○ : Junction Block and Wire Harness Connector

Code	See Page	Junction Block and Wire Harness (Connector Location)
CB	34	Instrument Panel Wire and Center J/B (Instrument Panel Reinforcement RH)
CE		
DB	30	Instrument Panel Wire and Driver Side J/B (Left Side of the Instrument Panel)

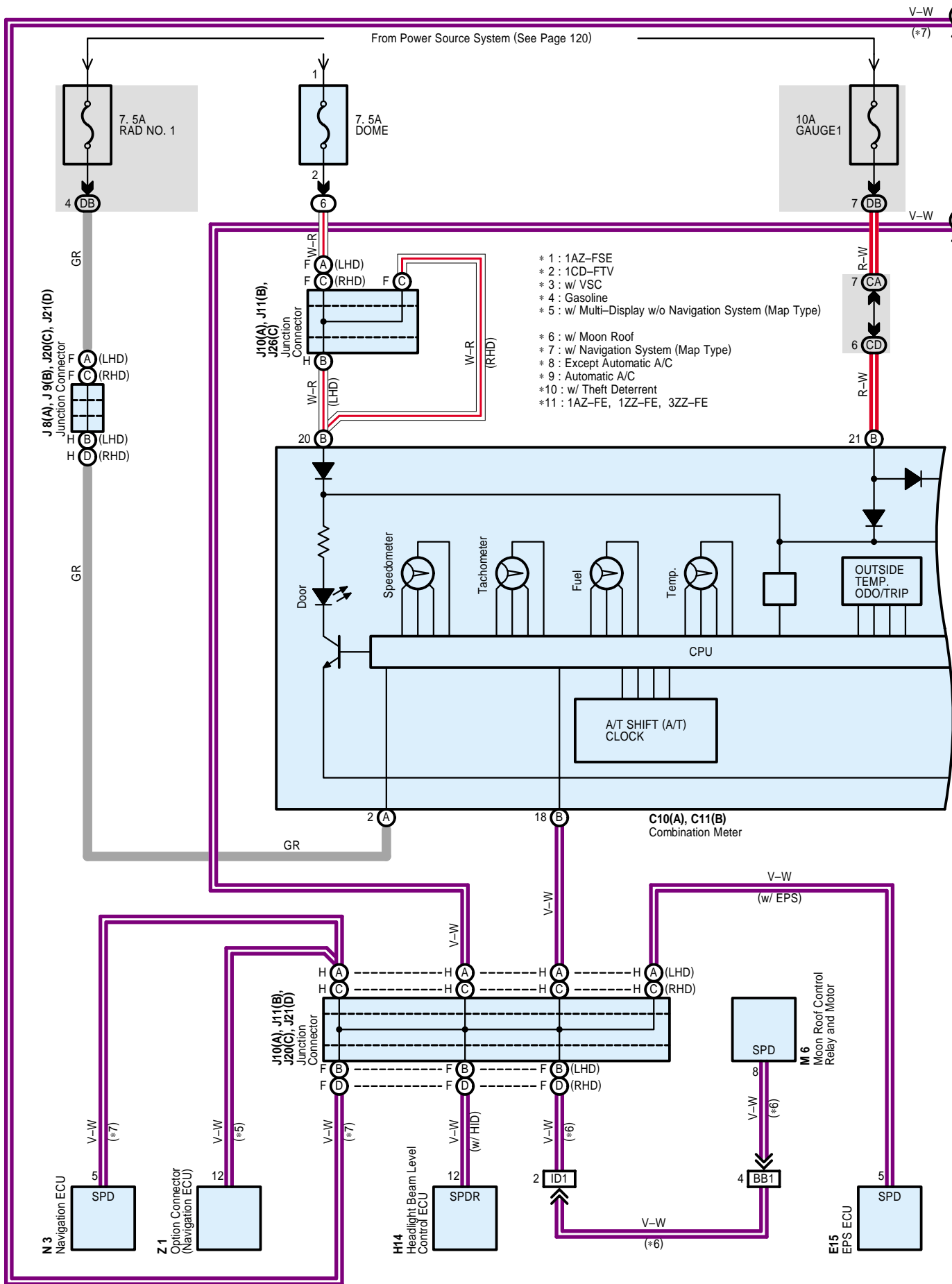
 : Connector Joining Wire Harness and Wire Harness

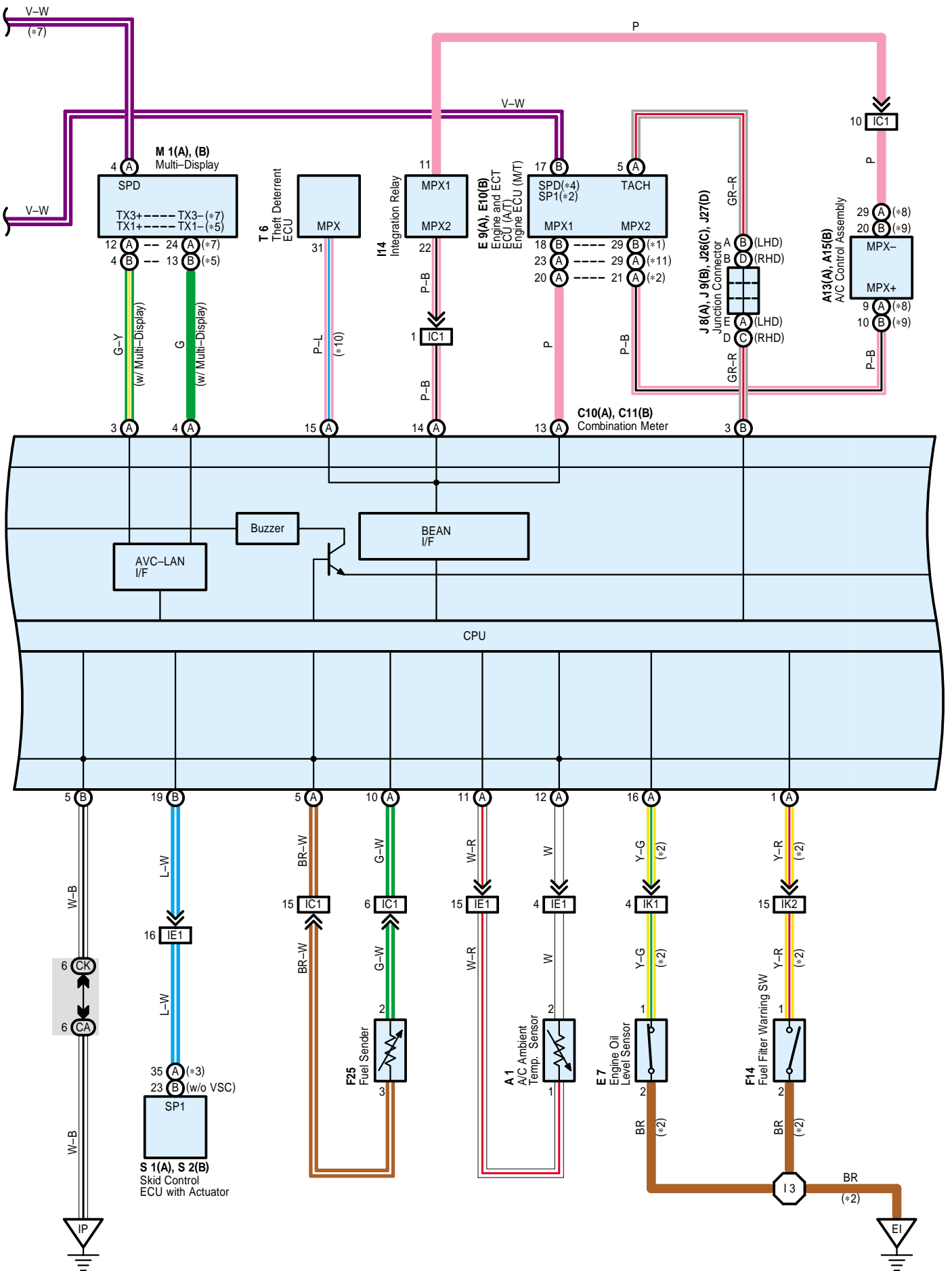
Code	See Page	Joining Wire Harness and Wire Harness (Connector Location)
IA1	86 (LHD)	Front Door LH Wire and Instrument Panel Wire (Left Kick Panel)
	106 (RHD)	
IC2	86 (LHD)	Instrument Panel Wire and Floor Wire (Left Kick Panel)
	106 (RHD)	
IL1	88 (LHD)	Front Door RH Wire and Instrument Panel Wire (Right Kick Panel)
	108 (RHD)	
IM2	88 (LHD)	Instrument Panel Wire and Floor No.2 Wire (Right Kick Panel)
	108 (RHD)	
BA1	90 (LHD S/D)	Rear Door No.2 Wire and Floor Wire (Under the Left Center Pillar)
	92 (LHD L/B)	
	94 (LHD W/G)	
	110 (RHD S/D)	
	112 (RHD L/B)	
	114 (RHD W/G)	
BC1	90 (LHD S/D)	Rear Door No.1 Wire and Floor No.2 Wire (Under the Right Center Pillar)
	92 (LHD L/B)	
	94 (LHD W/G)	
	110 (RHD S/D)	
	112 (RHD L/B)	
	114 (RHD W/G)	

 : Ground Points

Code	See Page	Ground Points Location
IN	86 (LHD)	Instrument Panel Reinforcement Center
	106 (RHD)	

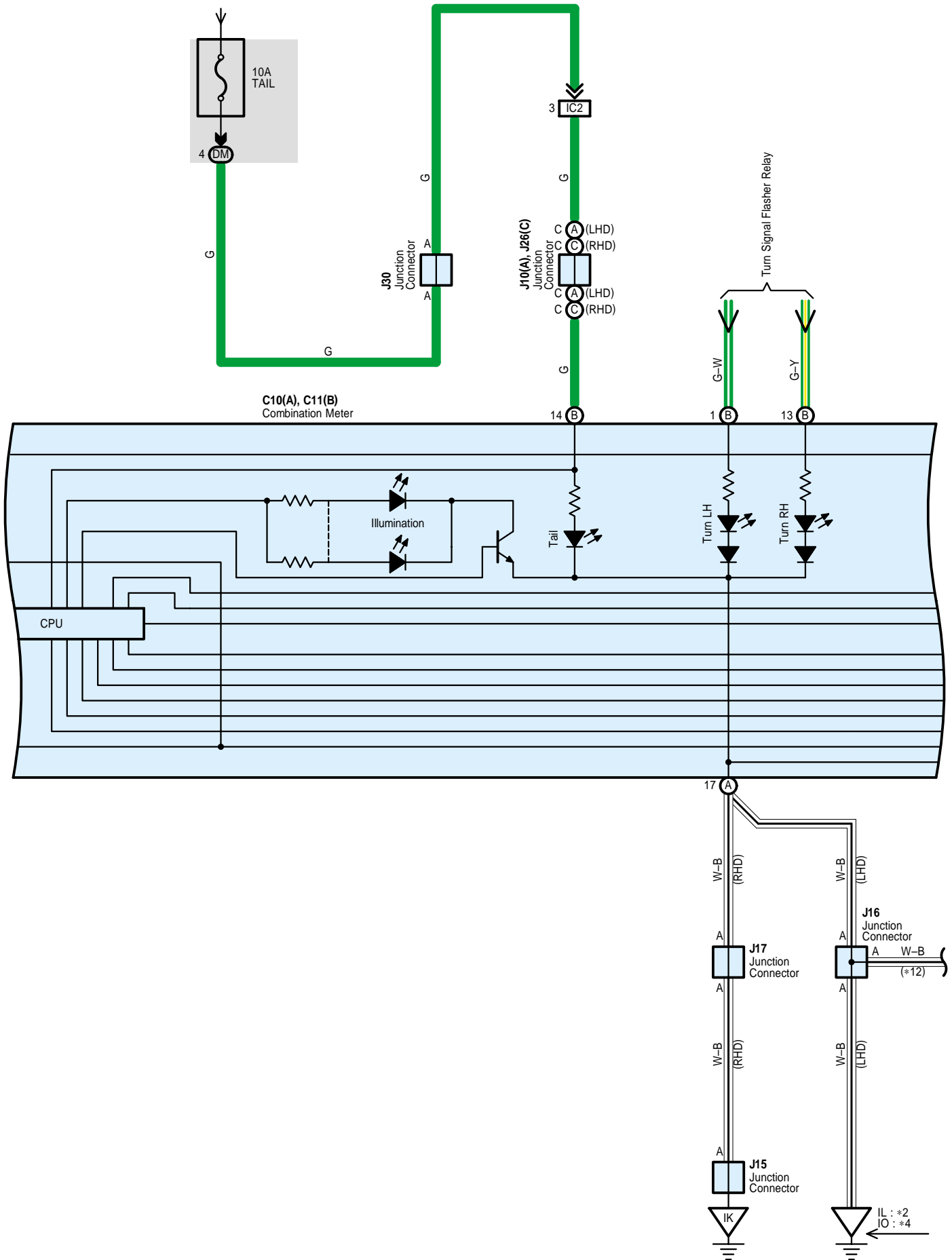
Combination Meter





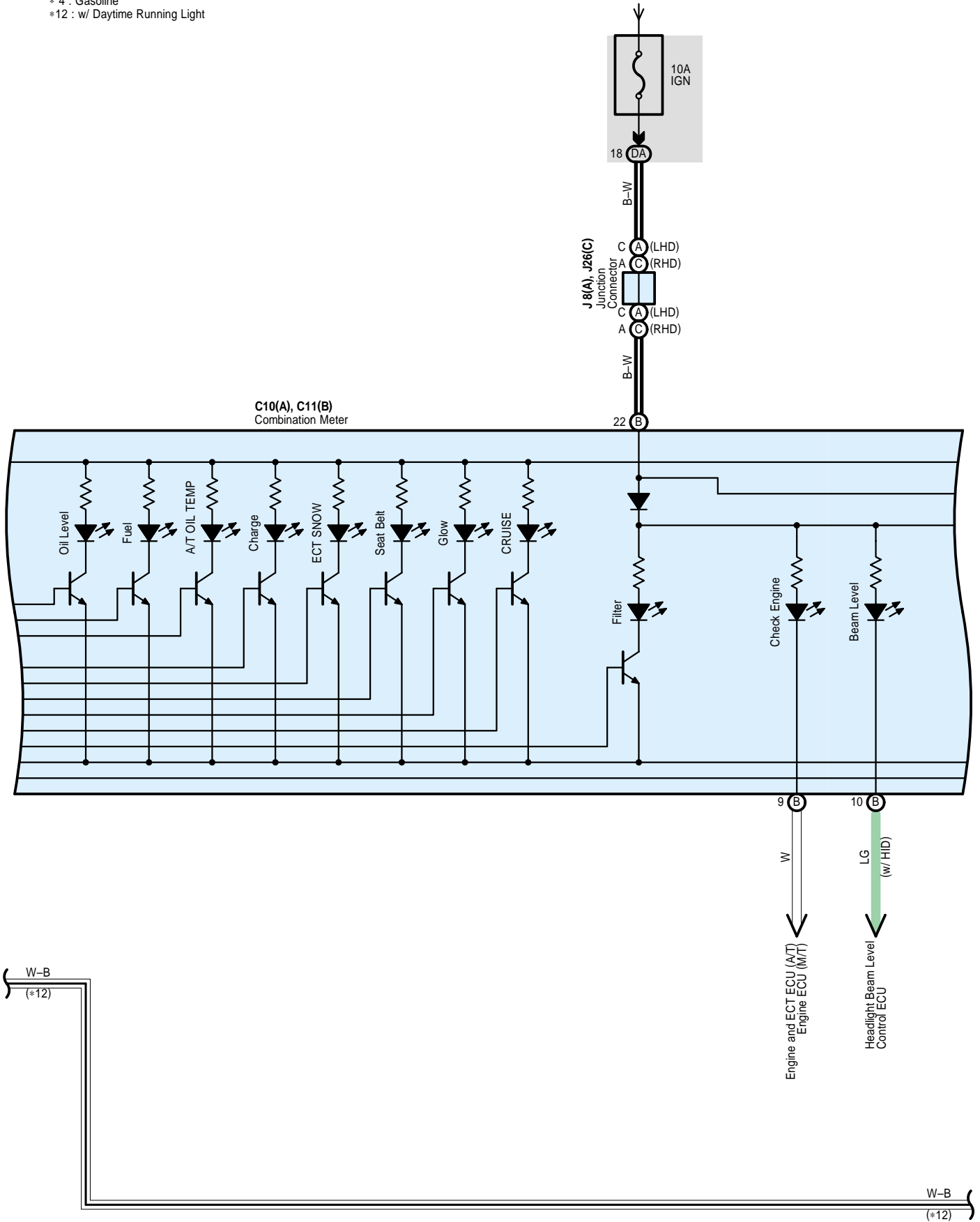
Combination Meter

From Power Source System (See Page 120)



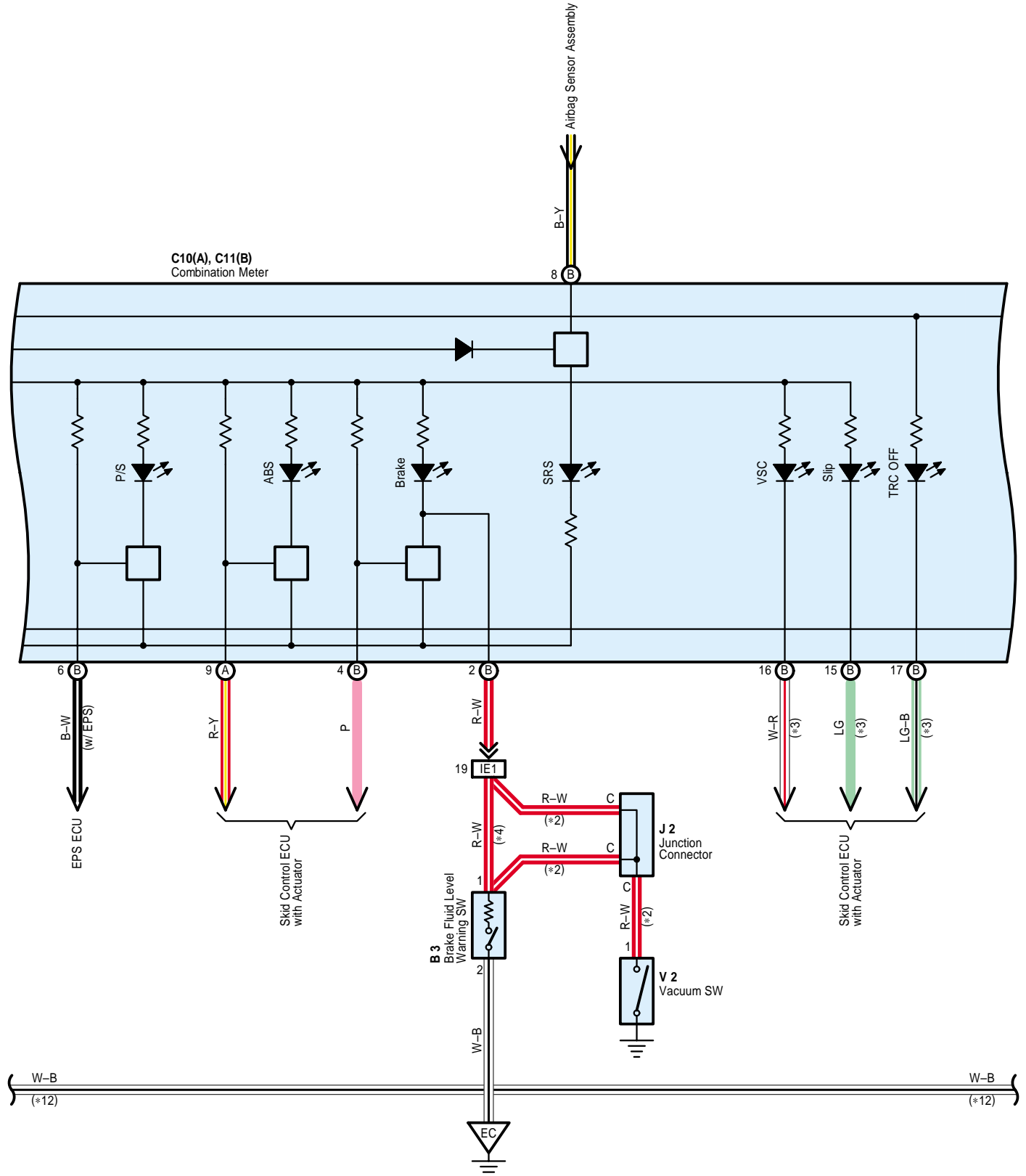
- * 2 : 1CD-FTV
- * 4 : Gasoline
- *12 : w/ Daytime Running Light

From Power Source System (See Page 120)

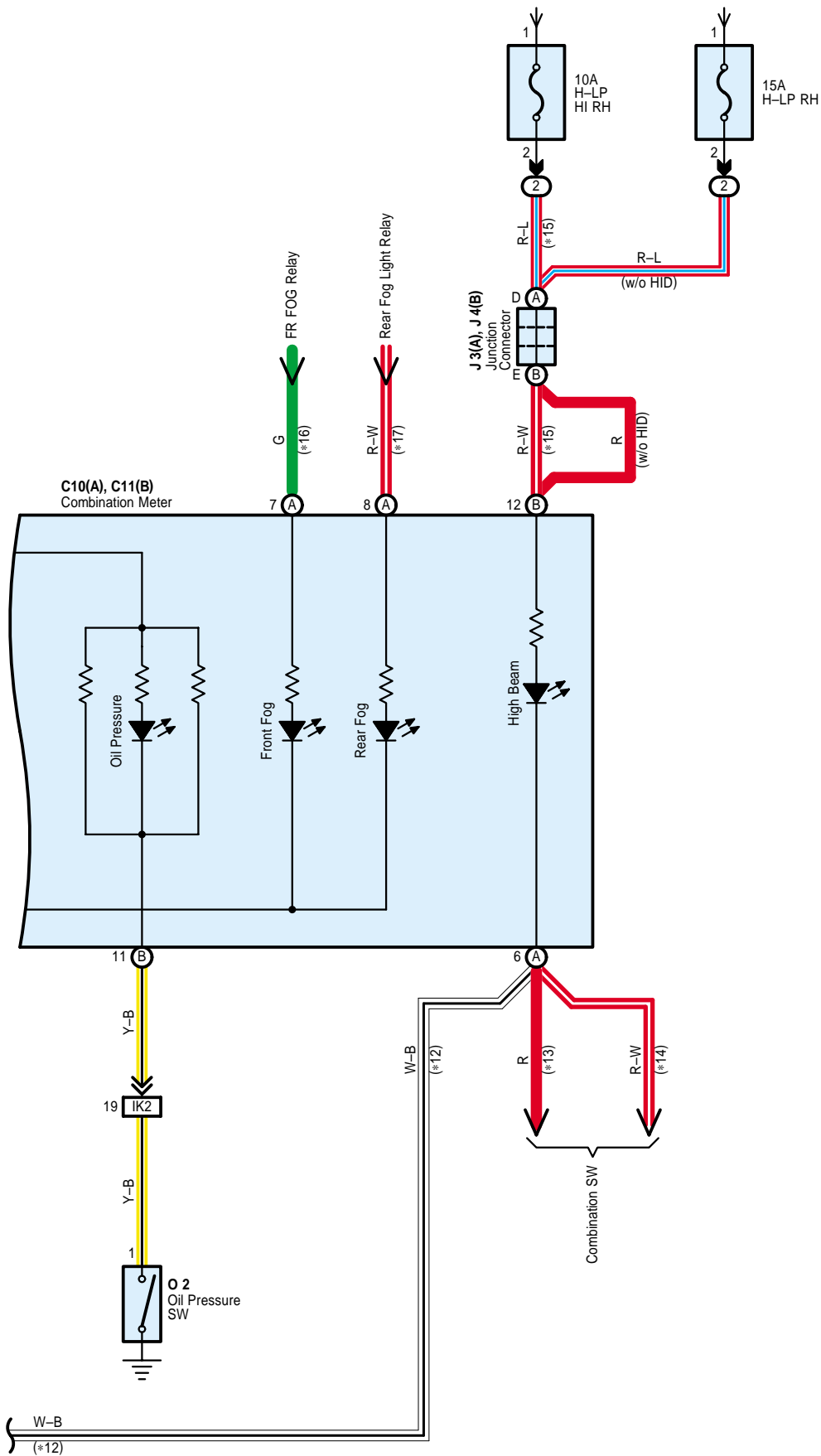


Combination Meter

- * 2 : 1CD-FTV
- * 3 : w/ VSC
- * 4 : Gasoline
- *12 : w/ Daytime Running Light
- *13 : w/o Daytime Running Light w/o HID
- *14 : w/o Daytime Running Light w/ HID
- *15 : w/ Daytime Running Light, w/ HID
- *16 : w/ Front Fog Light
- *17 : w/ Rear Fog Light



From Power Source System (See Page 120)



Combination Meter

Service Hints

C10 (A), C11 (B) Combination Meter

- (A) 2–Ground : Approx. 12 volts with the ignition SW at ACC or ON position
 (B) 20–Ground : Always approx. 12 volts
 (B) 21–Ground : Approx. 12 volts with the ignition SW at ON position
 (A) 6–Ground : Always continuity (w/ daytime running light)
 (A) 17–Ground : Always continuity
 (B) 5–Ground : Always continuity

○ : Parts Location

Code	See Page	Code	See Page	Code	See Page	
A1	38 (*3)	F25	50 (LHD S/D)	M1	A	68 (RHD)
	40 (*4)		52 (LHD L/B)		B	48 (LHD)
	42 (*5)		54 (LHD W/G)	M6	68 (RHD)	
	44 (*6)		70 (RHD S/D)		51 (LHD S/D)	
	58 (*7)		72 (RHD L/B)		53 (LHD L/B)	
	60 (*8)		74 (RHD W/G)		55 (LHD W/G)	
	62 (*9)		H14		47 (LHD)	71 (RHD S/D)
	64 (*10)	67 (RHD)			73 (RHD L/B)	
A13	A	I14	47 (LHD)	N3	75 (RHD W/G)	
			66 (RHD)		49 (LHD)	
A15	B	J2	45 (*6)	O2	69 (RHD)	
			66 (RHD)		39 (*3)	
B3	38 (*3)	J3	A	48 (LHD)	41 (*4)	
	40 (*4)	J4	B	68 (RHD)	43 (*5)	
	42 (*5)			48 (LHD)	45 (*6)	
	44 (*6)	J8	A	48 (LHD)	59 (*7)	
	58 (*7)	J9	B	48 (LHD)	61 (*8)	
	60 (*8)	J10	A	48 (LHD)	63 (*9)	
	62 (*9)	J11	B	48 (LHD)	65 (*10)	
	64 (*10)	J15	68 (RHD)	S1	A	39 (*3)
46 (LHD)	J16		48 (LHD)			45 (*6)
C10	A	J17	68 (RHD)	S2	B	59 (*7)
			66 (RHD)			41 (*4)
C11	B	J20	C	J21	D	43 (*5)
			68 (RHD)			45 (*6)
E7		J26	C	J27	D	61 (*8)
			68 (RHD)			63 (*9)
E9	A	J30	51 (LHD S/D)	T6	65 (*10)	
			67 (RHD)		53 (LHD L/B)	69 (RHD)
E10	B	J30	55 (LHD W/G)	V2	45 (*6)	
			67 (RHD)		71 (RHD S/D)	65 (*10)
E15		J30	73 (RHD L/B)	Z1	49 (LHD)	
			47 (LHD)		75 (RHD W/G)	69 (RHD)
F14		M1	A	48 (LHD)		
				44 (*6)		
	64 (*10)					

○ : Relay Blocks

Code	See Page	Relay Blocks (Relay Block Location)
2	26	Engine Room R/B No.2 (Near the Radiator Fan)
6	29	Fuse Block (Lower Finish Panel)

* 1 : Gasoline * 2 : 1CD–FTV * 3 : LHD 1AZ–FSE * 4 : LHD 1AZ–FE * 5 : LHD 1ZZ–FE, 3ZZ–FE * 6 : LHD 1CD–FTV
 * 7 : RHD 1AZ–FSE * 8 : RHD 1AZ–FE * 9 : RHD 1ZZ–FE, 3ZZ–FE * 10 : RHD 1CD–FTV

 : **Junction Block and Wire Harness Connector**

Code	See Page	Junction Block and Wire Harness (Connector Location)
CA	34	Instrument Panel Wire and Center J/B (Instrument Panel Reinforcement RH)
CD		
CK		
DA	30	Instrument Panel Wire and Driver Side J/B (Left Side of the Instrument Panel)
DB		
DM	31	Floor Wire and Driver Side J/B (Left Side of the Instrument Panel)

 : **Connector Joining Wire Harness and Wire Harness**

Code	See Page	Joining Wire Harness and Wire Harness (Connector Location)
IC1	86 (LHD)	Instrument Panel Wire and Floor Wire (Left Kick Panel)
	106 (RHD)	
IC2	86 (LHD)	
	106 (RHD)	
ID1	86 (LHD)	Instrument Panel Wire and Roof Wire (Left Side of the Instrument Panel)
	106 (RHD)	
IE1	86 (LHD)	Engine Room Main Wire and Instrument Panel Wire (Behind the Combination Meter)
	106 (RHD)	Engine Room Main Wire and Instrument Panel Wire (Behind the Glove Box)
IK1	88 (LHD)	Engine Wire and Instrument Panel Wire (Behind the Glove Box)
	108 (RHD)	
IK2	88 (LHD)	
	108 (RHD)	
BB1	90 (LHD S/D)	Roof Wire and Roof No.2 Wire (Near the Personal Light)
	92 (LHD L/B)	
	94 (LHD W/G)	
	110 (RHD S/D)	
	112 (RHD L/B)	
	114 (RHD W/G)	

 : **Ground Points**

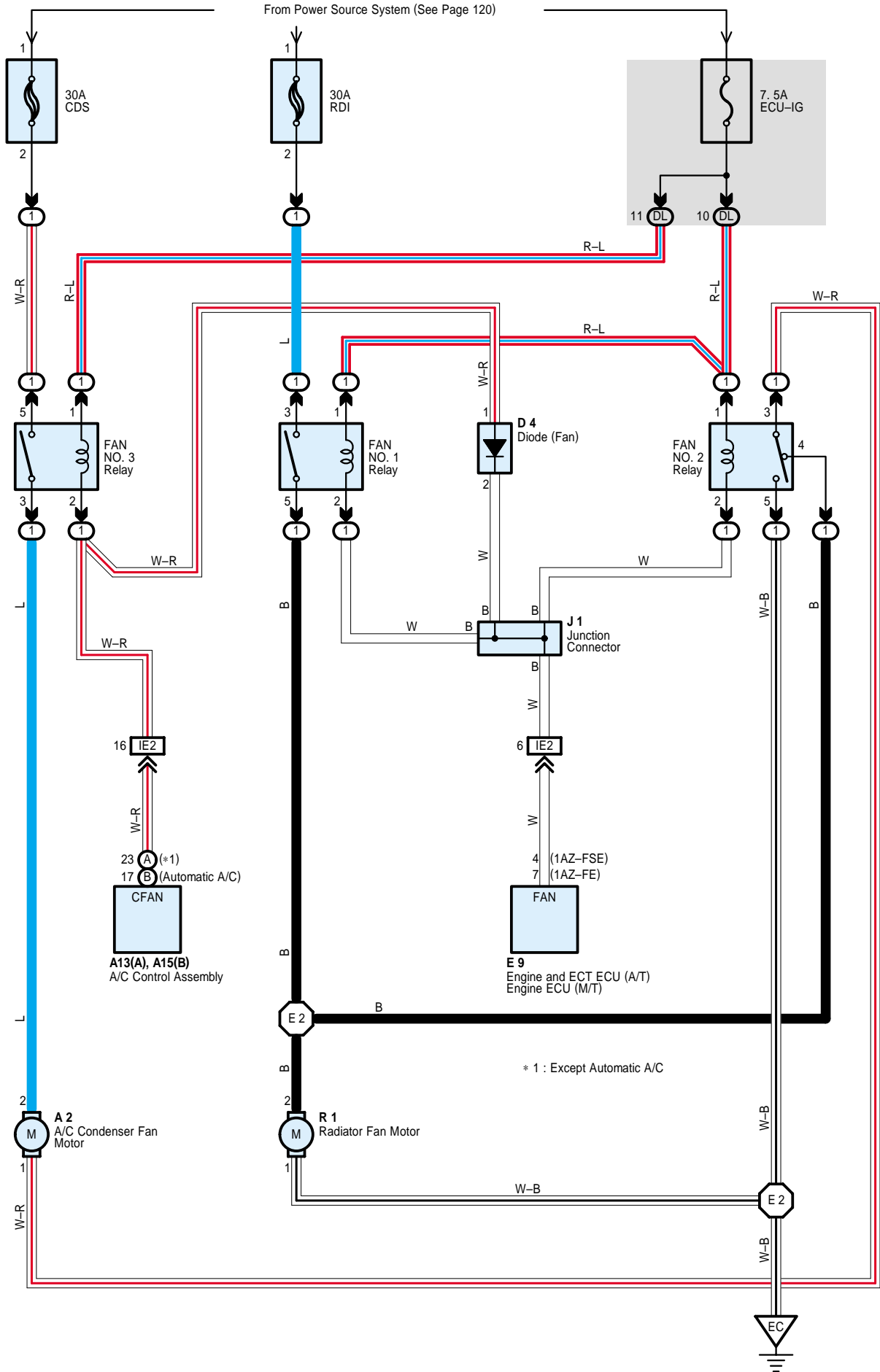
Code	See Page	Ground Points Location
EC	78 (*3)	Engine Compartment Left
	80 (*4)	
	82 (*5)	
	84 (*6)	
	98 (*7)	
	100 (*8)	
	102 (*9)	
	104 (*10)	
EI	84 (*6)	Near the Starter
	104 (*10)	
IK	86 (LHD)	Behind the Combination Meter
	106 (RHD)	
IL	86 (LHD)	
IO	86 (LHD)	Instrument Panel Reinforcement RH
IP	86 (LHD)	Right Kick Panel
	106 (RHD)	

 : **Splice Points**

Code	See Page	Wire Harness with Splice Points	Code	See Page	Wire Harness with Splice Points
I3	88 (LHD)	Engine Wire	I3	108 (RHD)	Engine Wire

* 1 : Gasoline * 2 : 1CD-FTV * 3 : LHD 1AZ-FSE * 4 : LHD 1AZ-FE * 5 : LHD 1ZZ-FE, 3ZZ-FE * 6 : LHD 1CD-FTV
 * 7 : RHD 1AZ-FSE * 8 : RHD 1AZ-FE * 9 : RHD 1ZZ-FE, 3ZZ-FE * 10 : RHD 1CD-FTV

Radiator Fan and Condenser Fan (1AZ-FE, 1AZ-FSE)



System Outline

The system controls the radiator fan motor in two steps HIGH or LOW, according to the engine coolant temperature and A/C operation condition.

○ : Parts Location

Code	See Page	Code	See Page	Code	See Page	
A2	38 (*3)	A15	B	66 (RHD)	J1	59 (*7)
	40 (*4)	D4		47 (LHD)		61 (*8)
	58 (*7)			67 (RHD)	R1	39 (*3)
	60 (*8)	E9		47 (LHD)		41 (*4)
A13	A		67 (RHD)			59 (*7)
A15	B	J1		39 (*3)		61 (*8)
				41 (*4)		

○ : Relay Blocks

Code	See Page	Relay Blocks (Relay Block Location)
1	24 (*1)	Engine Room R/B No.1 (Engine Compartment Left)

○ : Junction Block and Wire Harness Connector

Code	See Page	Junction Block and Wire Harness (Connector Location)
DL	31	Engine Room Main Wire and Driver Side J/B (Left Side of the Instrument Panel)

□ : Connector Joining Wire Harness and Wire Harness

Code	See Page	Joining Wire Harness and Wire Harness (Connector Location)
IE2	86 (LHD)	Engine Room Main Wire and Instrument Panel Wire (Behind the Combination Meter)
	106 (RHD)	Engine Room Main Wire and Instrument Panel Wire (Behind the Glove Box)

▽ : Ground Points

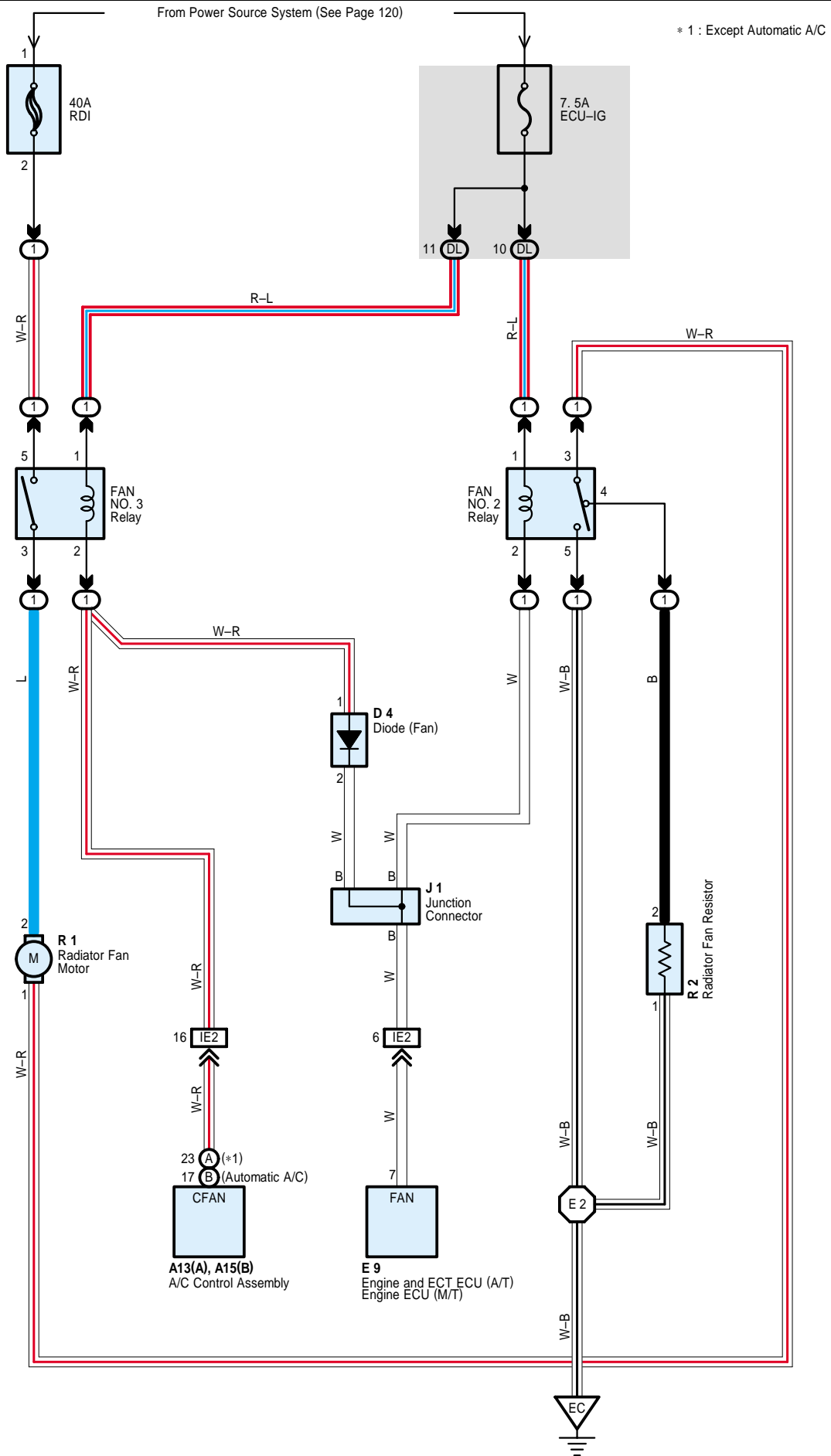
Code	See Page	Ground Points Location
EC	78 (*3)	Engine Compartment Left
	80 (*4)	
	98 (*7)	
	100 (*8)	

○ : Splice Points

Code	See Page	Wire Harness with Splice Points	Code	See Page	Wire Harness with Splice Points
E2	78 (*3)	Engine Room Main Wire	E2	98 (*7)	Engine Room Main Wire
	80 (*4)			100 (*8)	

* 1 : Gasoline * 2 : 1CD-FTV * 3 : LHD 1AZ-FSE * 4 : LHD 1AZ-FE * 5 : LHD 1ZZ-FE, 3ZZ-FE * 6 : LHD 1CD-FTV
 * 7 : RHD 1AZ-FSE * 8 : RHD 1AZ-FE * 9 : RHD 1ZZ-FE, 3ZZ-FE * 10 : RHD 1CD-FTV

Radiator Fan (1ZZ-FE, 3ZZ-FE)



System Outline

The system controls the radiator fan motor in two steps HIGH or LOW, according to the engine coolant temperature and A/C operation condition.

The FAN NO.2 relay is turned ON/OFF according to the engine coolant temperature and A/C refrigerant pressure operation condition. This allows the current to flow to the radiator fan resistor when the fan speed is LOW, and to the radiator fan motor when HIGH.

○ : Parts Location

Code		See Page	Code	See Page	Code	See Page
A13	A	46 (LHD)	D4	67 (RHD)	R1	43 (*5)
		66 (RHD)		47 (LHD)		63 (*9)
A15	B	46 (LHD)	E9	67 (RHD)	R2	43 (*5)
		66 (RHD)		43 (*5)		63 (*9)
D4		47 (LHD)	J1	63 (*9)		

○ : Relay Blocks

Code	See Page	Relay Blocks (Relay Block Location)
1	24 (*1)	Engine Room R/B No.1 (Engine Compartment Left)

○ : Junction Block and Wire Harness Connector

Code	See Page	Junction Block and Wire Harness (Connector Location)
DL	31	Engine Room Main Wire and Driver Side J/B (Left Side of the Instrument Panel)

□ : Connector Joining Wire Harness and Wire Harness

Code	See Page	Joining Wire Harness and Wire Harness (Connector Location)
IE2	86 (LHD)	Engine Room Main Wire and Instrument Panel Wire (Behind the Combination Meter)
	106 (RHD)	Engine Room Main Wire and Instrument Panel Wire (Behind the Glove Box)

▽ : Ground Points

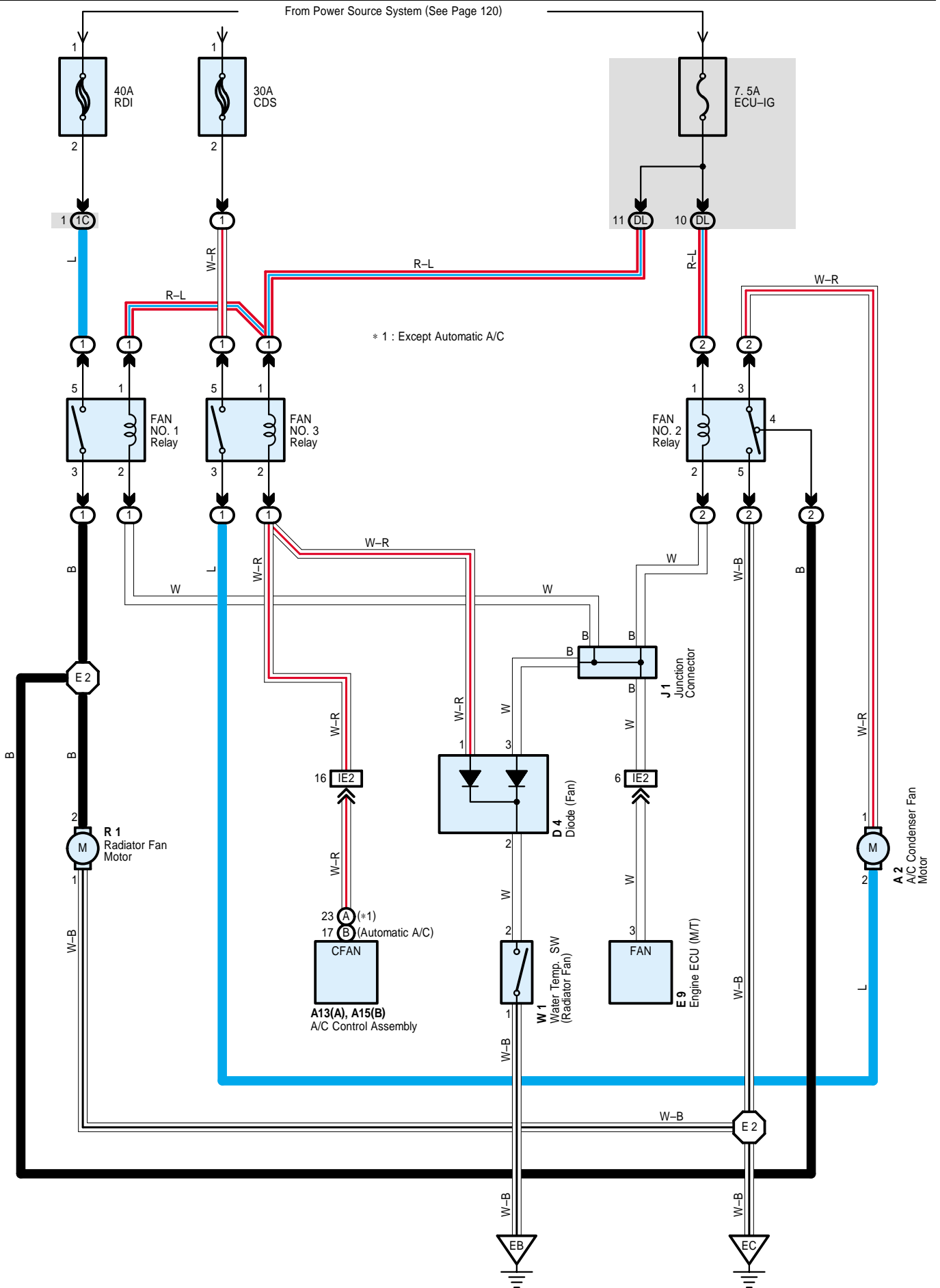
Code	See Page	Ground Points Location
EC	82 (*5)	Engine Compartment Left
	102 (*9)	

○ : Splice Points

Code	See Page	Wire Harness with Splice Points	Code	See Page	Wire Harness with Splice Points
E2	82 (*5)	Engine Room Main Wire	E2	102 (*9)	Engine Room Main Wire

* 1 : Gasoline * 2 : 1CD-FTV * 3 : LHD 1AZ-FSE * 4 : LHD 1AZ-FE * 5 : LHD 1ZZ-FE, 3ZZ-FE * 6 : LHD 1CD-FTV
* 7 : RHD 1AZ-FSE * 8 : RHD 1AZ-FE * 9 : RHD 1ZZ-FE, 3ZZ-FE * 10 : RHD 1CD-FTV

Radiator Fan and Condenser Fan (1CD-FTV)



System Outline

The system controls the radiator fan motor in two steps HIGH or LOW, according to the engine coolant temperature and A/C operation condition.

○ : Parts Location

Code	See Page	Code	See Page	Code	See Page
A2	44 (*6)	D4	47 (LHD)	R1	45 (*6)
	64 (*10)		67 (RHD)		65 (*10)
A13	A	E9	47 (LHD)	W1	45 (*6)
			66 (RHD)		67 (RHD)
A15	B	J1	45 (*6)		
			66 (RHD)	65 (*10)	

○ : Relay Blocks

Code	See Page	Relay Blocks (Relay Block Location)
1	25 (*2)	Engine Room R/B No.1 (Engine Compartment Left)
2	26	Engine Room R/B No.2 (Near the Radiator Fan)

○ : Junction Block and Wire Harness Connector

Code	See Page	Junction Block and Wire Harness (Connector Location)
1C	25 (*2)	Engine Room Main Wire and Engine Room J/B No.1 (Engine Compartment Left)
DL	31	Engine Room Main Wire and Driver Side J/B (Left Side of the Instrument Panel)

□ : Connector Joining Wire Harness and Wire Harness

Code	See Page	Joining Wire Harness and Wire Harness (Connector Location)
IE2	86 (LHD)	Engine Room Main Wire and Instrument Panel Wire (Behind the Combination Meter)
	106 (RHD)	Engine Room Main Wire and Instrument Panel Wire (Behind the Glove Box)

▽ : Ground Points

Code	See Page	Ground Points Location
EB	84 (*6)	Engine Compartment Right
	104 (*10)	
EC	84 (*6)	Engine Compartment Left
	104 (*10)	

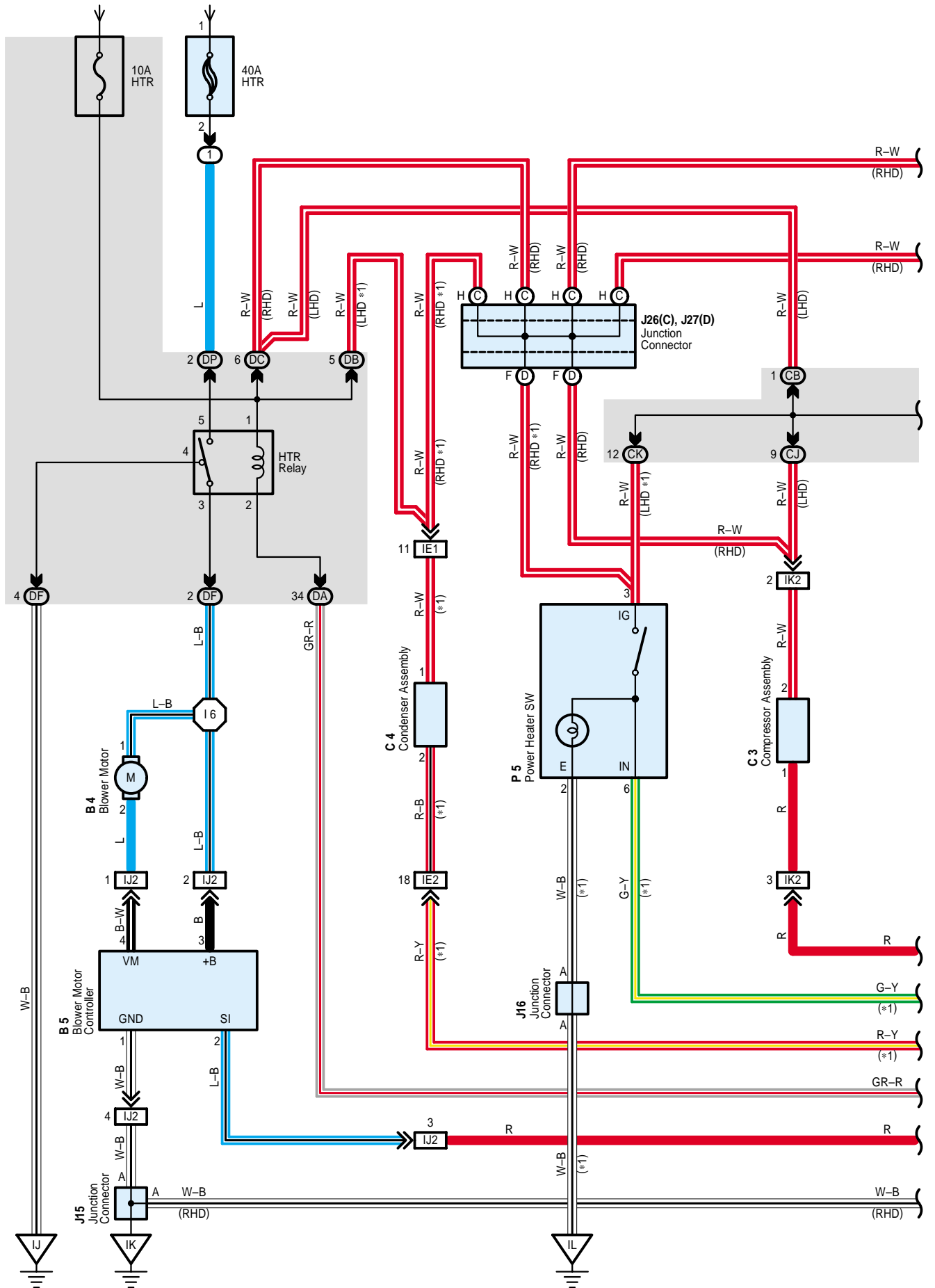
○ : Splice Points

Code	See Page	Wire Harness with Splice Points	Code	See Page	Wire Harness with Splice Points
E2	84 (*6)	Engine Room Main Wire	E2	104 (*10)	Engine Room Main Wire

* 1 : Gasoline * 2 : 1CD-FTV * 3 : LHD 1AZ-FSE * 4 : LHD 1AZ-FE * 5 : LHD 1ZZ-FE, 3ZZ-FE * 6 : LHD 1CD-FTV
* 7 : RHD 1AZ-FSE * 8 : RHD 1AZ-FE * 9 : RHD 1ZZ-FE, 3ZZ-FE * 10 : RHD 1CD-FTV

Air Conditioner (Automatic A/C) and

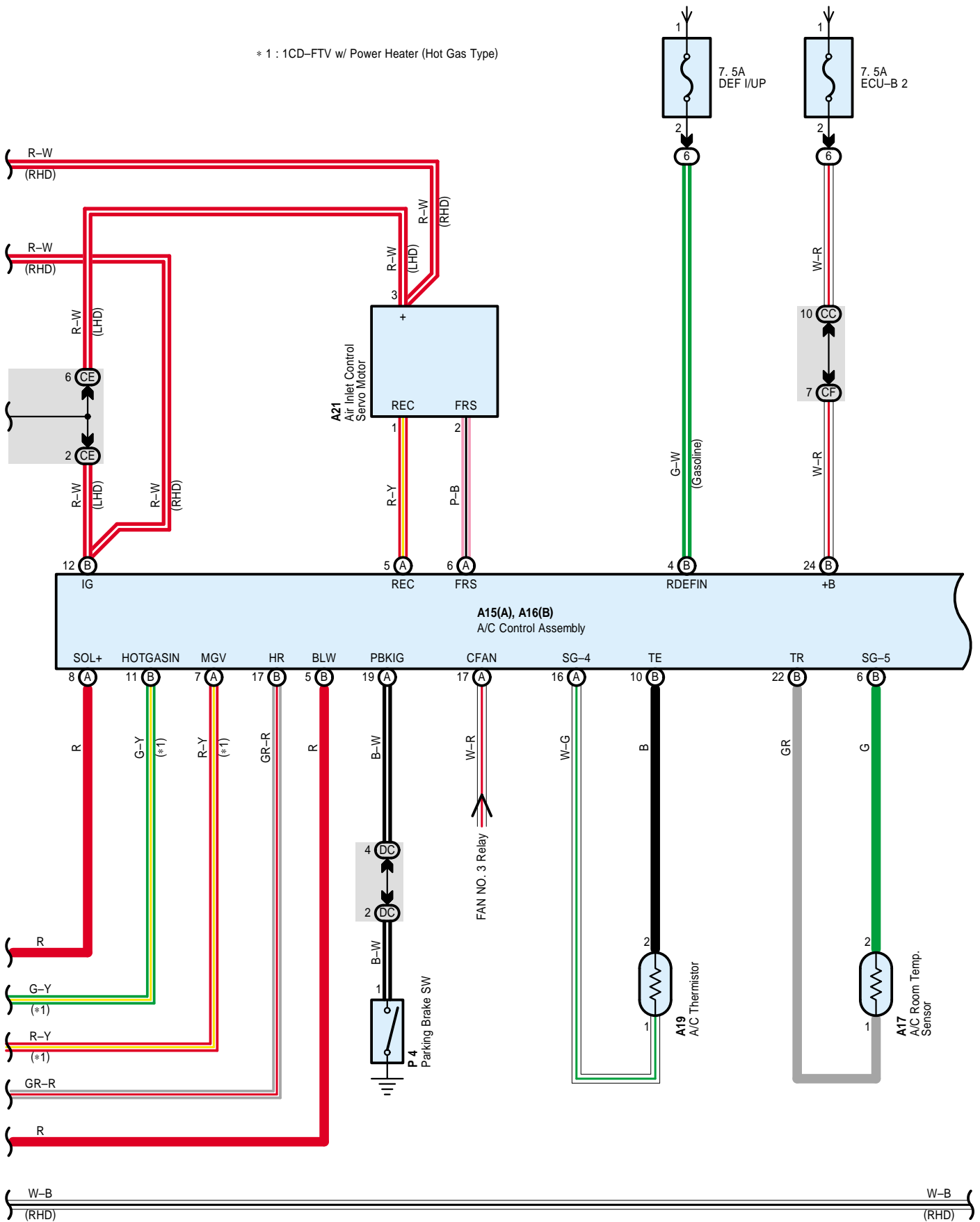
From Power Source System (See Page 120)



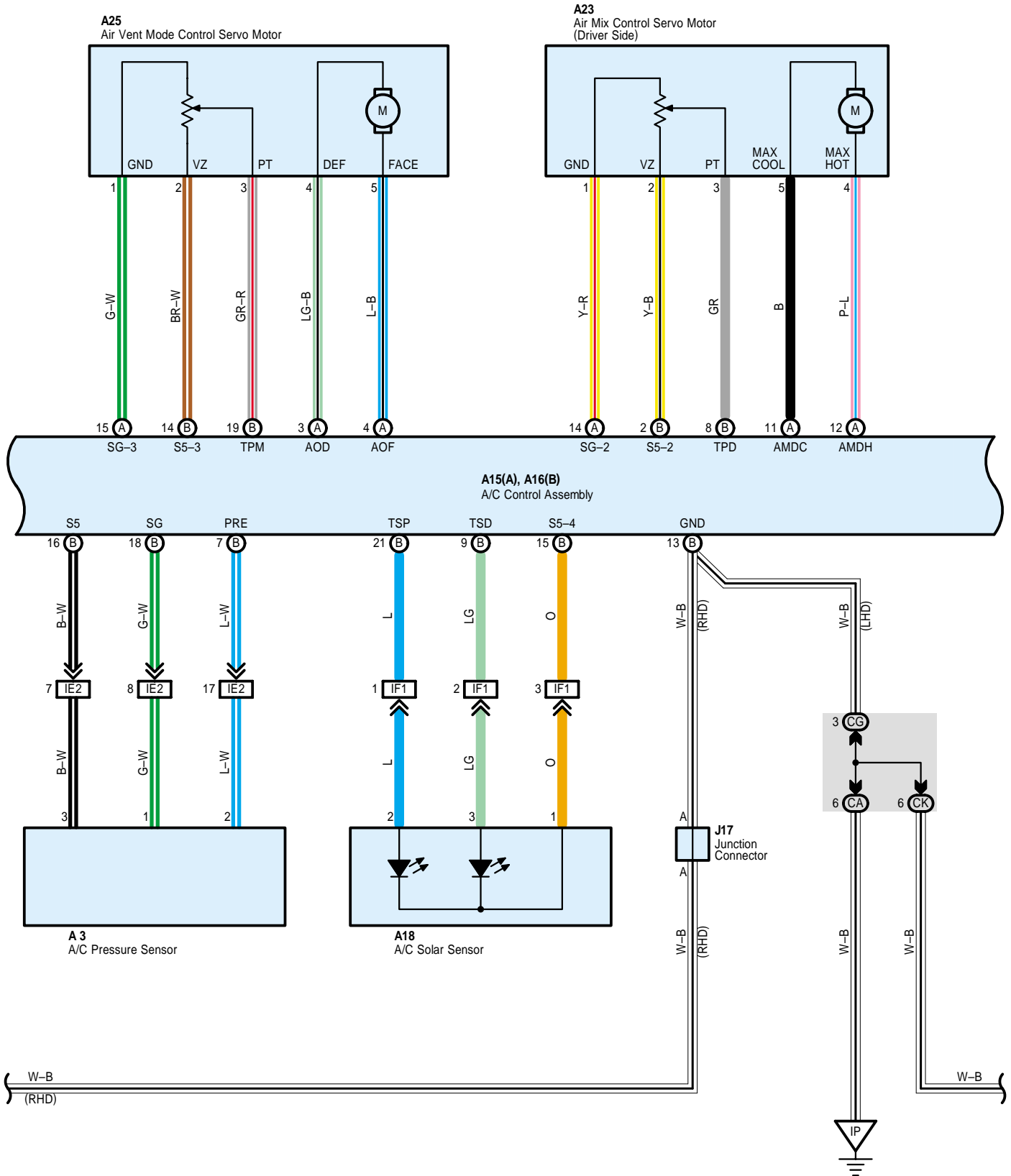
Power Heater (Hot Gas Type Automatic A/C)

* 1 : 1CD-FTV w/ Power Heater (Hot Gas Type)

From Power Source System (See Page 120)



Air Conditioner (Automatic A/C) and



Air Conditioner (Automatic A/C) and

System Outline

1. Heater Blower Operation

(Manual operation)

When the blower speed is set to a certain level using the blower control SW, the A/C control assembly sends the signals to the blower control to control the blower motor speed.

(Auto operation)

When the auto SW is turned on, the A/C control assembly sends the signals from various sensors and temperature SW to the blower control to automatically control the blower motor speed.

2. Air inlet Control Servo Motor Control

When the FRESH/RECIRC select SW is set to RECIRC, the motor in the air inlet control servo motor starts rotating to move the damper toward the RECIRC side. The motor is continuously rotates until the damper reaches its stop position. When the FRESH/RECIRC select SW is set to FRESH, the motor in the air inlet control servo motor starts rotating to move the damper toward the FRESH side. The motor is continuously rotated until the damper reaches its stop position. However, when the mode SW is at DEF position, forcibly the air intake is set to FRESH mode.

3. Air Vent Mode Control Servo Motor Control

(Manual operation)

If the mode select SW is operated, the A/C control assembly is controlled to operate the air vent mode control servo motor and the positions of outlets change among FACE, BI-LEVEL, FOOT, FOOT/DEF and DEF.

(Auto operation)

When the AUTO SW is turned on, the A/C control assembly selects the best position of the outlet according to the signals from various sensors and operates the air vent mode control servo motor to change the outlet position among FACE, BI-LEVEL, FOOT and FOOT/DEF.

4. Air Mix Control Servo Motor Control

According to the signals from various sensors, the A/C control assembly operates the air mix control servo motor and sets the blowoff temperature to the most appropriate degree in order to adjust the temperature to the desired degree set by the temperature control SW.

(When the DUAL switch is turned ON)

The system can provide independent air temperature control on the right and left sides. The temperature control switch for each of the driver's and passenger's sides independently controls air at the set temperature.

(When the DUAL switch is turned OFF)

The system controls air at the temperature set by the temperature control switch for the driver's side.

5. Air Conditioning Operation

The A/C control assembly receives various signals, I.E., the engine RPM from the engine and ECT ECU (A/T) or engine ECU (M/T), outside air temperature signal from the A/C ambient temp. sensor and coolant temperature from the engine and ECT ECU (A/T) or engine ECU (M/T), etc.

When the engine is started and the A/C SW (A/C control assembly) is on, a signal is input to the A/C control assembly.

6. Hot Gas Operation (1CD-FTV)

This function uses air conditioner parts to radiate heat through an evaporator during air compression by the compressor. Hot gas operation takes place when any of the following conditions is met:

- * The power heater SW is turned on.
- * The FRESH/RECIRC select SW is set to FRESH.
- * The blower SW is turned on.
- * The outside temperature is 0 °C or below.
- * The water temperature is 70 °C or below
- * MAX HOT

Service Hints

A16 (B) A/C Control Assembly

+B-Ground : Always approx. 12 volts

IG-Ground : Approx. 12 volts with ignition SW at ON position

GND-Ground : Always continuity

Power Heater (Hot Gas Type Automatic A/C)

○ : Parts Location

Code		See Page	Code		See Page	Code		See Page	
A1		38 (*3)	A23		46 (LHD)	E10	B	67 (RHD)	
		40 (*4)			66 (RHD)	I14		47 (LHD)	
		42 (*5)	A24		46 (LHD)			J10	
		44 (*6)			66 (RHD)	48 (LHD)			
		58 (*7)	A25		46 (LHD)	J11	B	48 (LHD)	
		62 (*9)			66 (RHD)	J15		48 (LHD)	
		64 (*10)			46 (LHD)			68 (RHD)	
A3		38 (*3)	B4		66 (RHD)	J16		48 (LHD)	
		40 (*4)	B5		46 (LHD)			68 (RHD)	
		42 (*5)			C3		66 (RHD)	J17	
		44 (*6)	38 (*3)	68 (RHD)					
		58 (*7)	40 (*4)	J26			C	68 (RHD)	
		62 (*9)	42 (*5)	J27			D	68 (RHD)	
		64 (*10)	44 (*6)	P4			49 (LHD)		
A15	A	46 (LHD)	69 (RHD)						
A16	B	66 (RHD)				P5		49 (LHD)	
		46 (LHD)						64 (*10)	69 (RHD)
A17		66 (RHD)	C4					49 (LHD)	
		46 (LHD)						44 (*6)	S1
A18		46 (LHD)						45 (*6)	
		66 (RHD)						64 (*10)	59 (*7)
A19		46 (LHD)	C10	A	46 (LHD)			65 (*10)	
		66 (RHD)			66 (RHD)			S2	B
A21		46 (LHD)	C11	B	46 (LHD)				
		66 (RHD)			66 (RHD)			45 (*6)	
A21		46 (LHD)	E9	A	47 (LHD)			63 (*9)	
		66 (RHD)			67 (RHD)			65 (*10)	
		66 (RHD)	E10	B	47 (LHD)				

○ : Relay Blocks

Code	See Page	Relay Blocks (Relay Block Location)
1	24 (*1)	Engine Room R/B No.1 (Engine Compartment Left)
	25 (*2)	
6	29	Fuse Block (Lower Finish Panel)

○ : Junction Block and Wire Harness Connector

Code	See Page	Junction Block and Wire Harness (Connector Location)
CA	34	Instrument Panel Wire and Center J/B (Instrument Panel Reinforcement RH)
CB		
CC		
CD		
CE		
CF		
CG	35	
CJ		
CK		
DA	30	Instrument Panel Wire and Driver Side J/B (Left Side of the Instrument Panel)
DB		
DC		
DF		
DP	31	Engine Room Main Wire and Driver Side J/B (Left Side of the Instrument Panel)

* 1 : Gasoline * 2 : 1CD-FTV * 3 : LHD 1AZ-FSE * 4 : LHD 1AZ-FE * 5 : LHD 1ZZ-FE, 3ZZ-FE * 6 : LHD 1CD-FTV
 * 7 : RHD 1AZ-FSE * 8 : RHD 1AZ-FE * 9 : RHD 1ZZ-FE, 3ZZ-FE * 10 : RHD 1CD-FTV

Air Conditioner (Automatic A/C) and Power Heater (Hot Gas Type Automatic A/C)

 : Connector Joining Wire Harness and Wire Harness

Code	See Page	Joining Wire Harness and Wire Harness (Connector Location)
IC1	86 (LHD)	Instrument Panel Wire and Floor Wire (Left Kick Panel)
	106 (RHD)	
IE1	86 (LHD)	Engine Room Main Wire and Instrument Panel Wire (Behind the Combination Meter)
	106 (RHD)	Engine Room Main Wire and Instrument Panel Wire (Behind the Glove Box)
IE2	86 (LHD)	Engine Room Main Wire and Instrument Panel Wire (Behind the Combination Meter)
	106 (RHD)	Engine Room Main Wire and Instrument Panel Wire (Behind the Glove Box)
IF1	88 (LHD)	Instrument Panel Wire and A/C Sub Wire No.1 (Left Side of the Combination Meter)
	106 (RHD)	Instrument Panel Wire and A/C Sub Wire No.1 (Right Side of the Combination Meter)
IJ2	88 (LHD)	Instrument Panel Wire and A/C Sub Wire No.2 (Left Side of the A/C Unit)
	108 (RHD)	Instrument Panel Wire and A/C Sub Wire No.2 (Right Side of the A/C Unit)
IK2	88 (LHD)	Engine Wire and Instrument Panel Wire (Behind the Glove Box)
	108 (RHD)	
IQ1	108 (RHD)	Instrument Panel Wire and A/C Sub Wire No.3 (Behind the Glove Box)

 : Ground Points

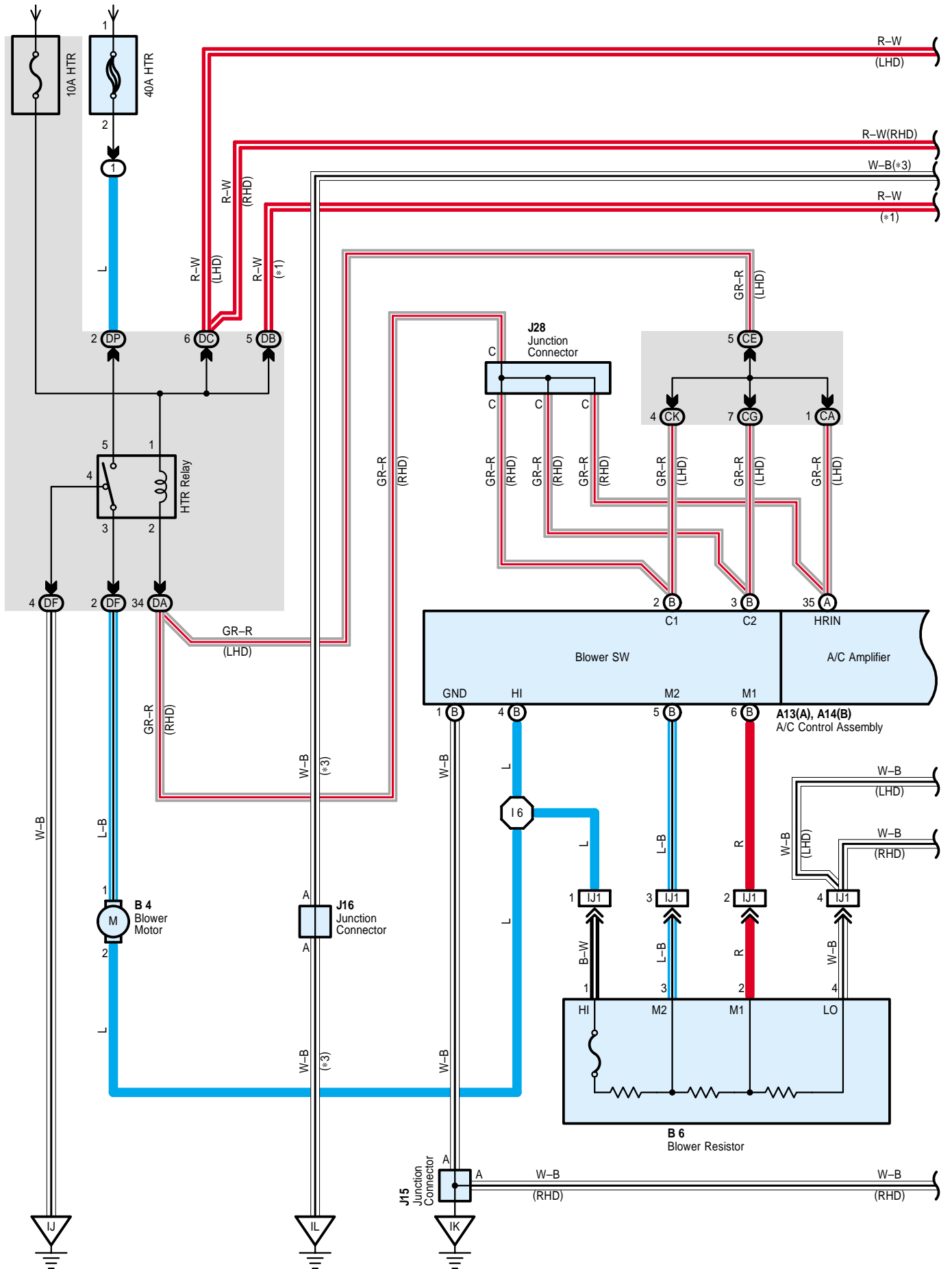
Code	See Page	Ground Points Location
IJ	86 (LHD)	Left Kick Panel
	106 (RHD)	
IK	86 (LHD)	Behind the Combination Meter
	106 (RHD)	
IL	86 (LHD)	
	106 (RHD)	
IP	86 (LHD)	Right Kick Panel
	106 (RHD)	

 : Splice Points

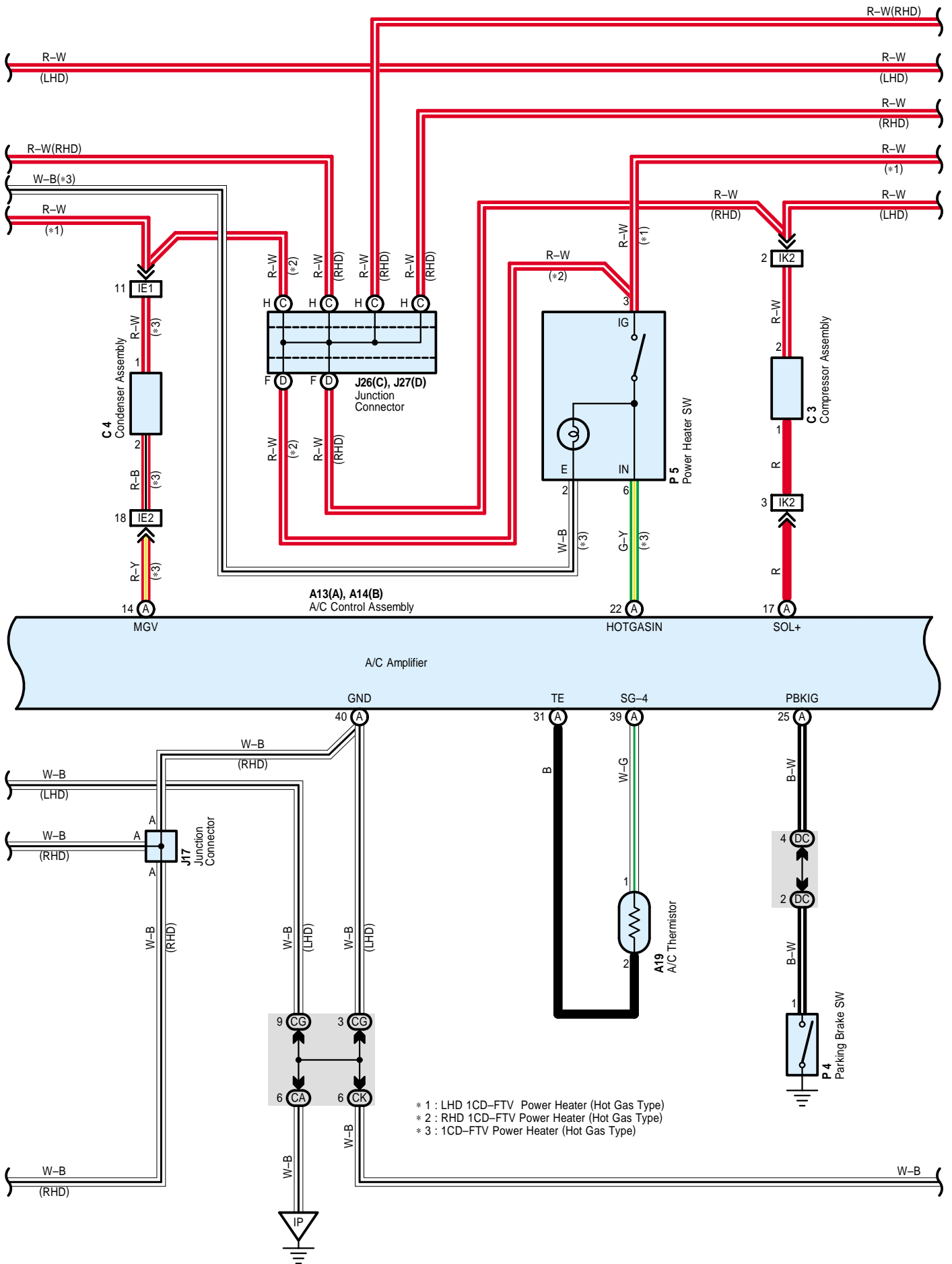
Code	See Page	Wire Harness with Splice Points	Code	See Page	Wire Harness with Splice Points
I6	88 (LHD)	Instrument Panel Wire	I6	108 (RHD)	Instrument Panel Wire

Air Conditioner (Manual A/C) and

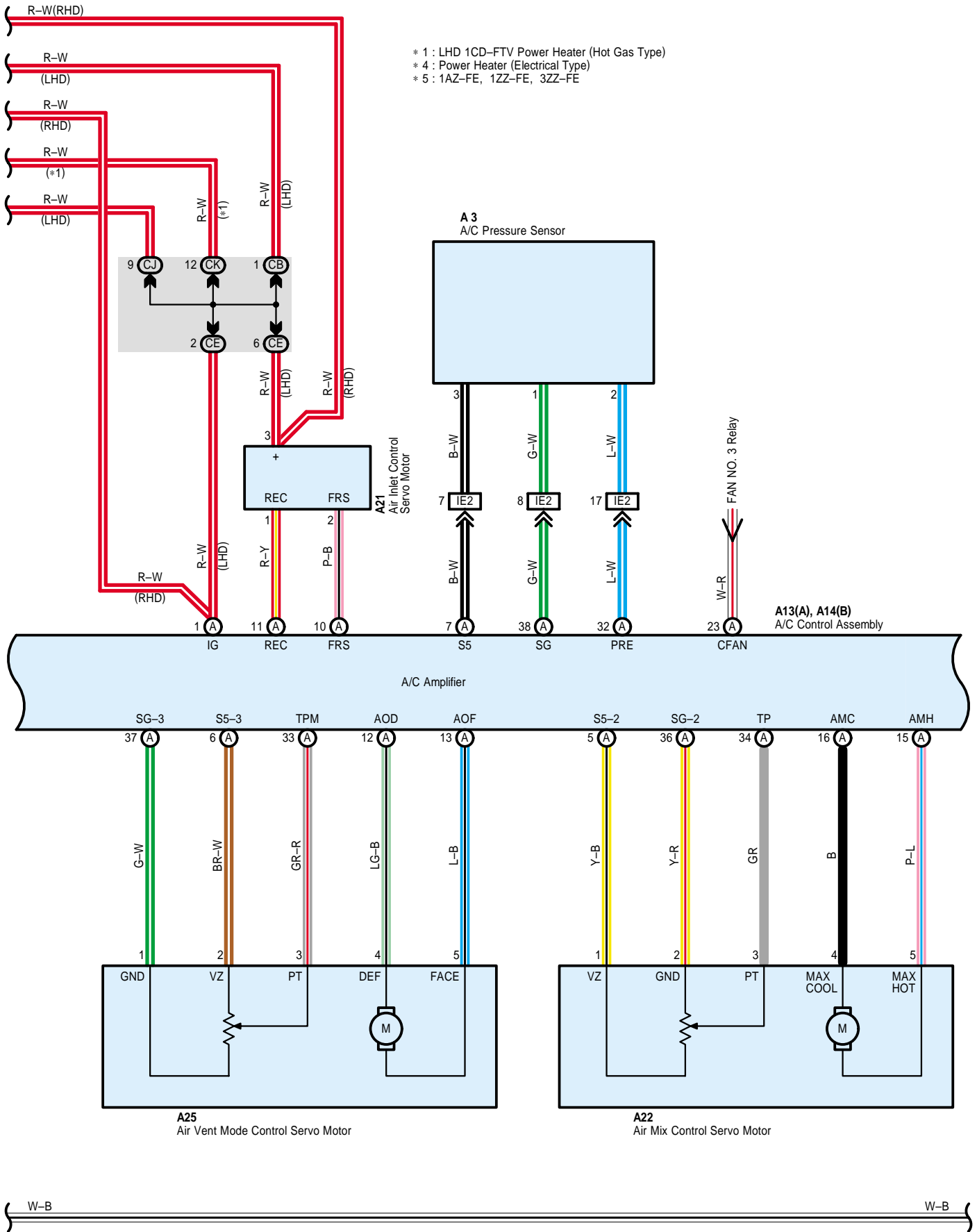
From Power Source System (See Page 120)



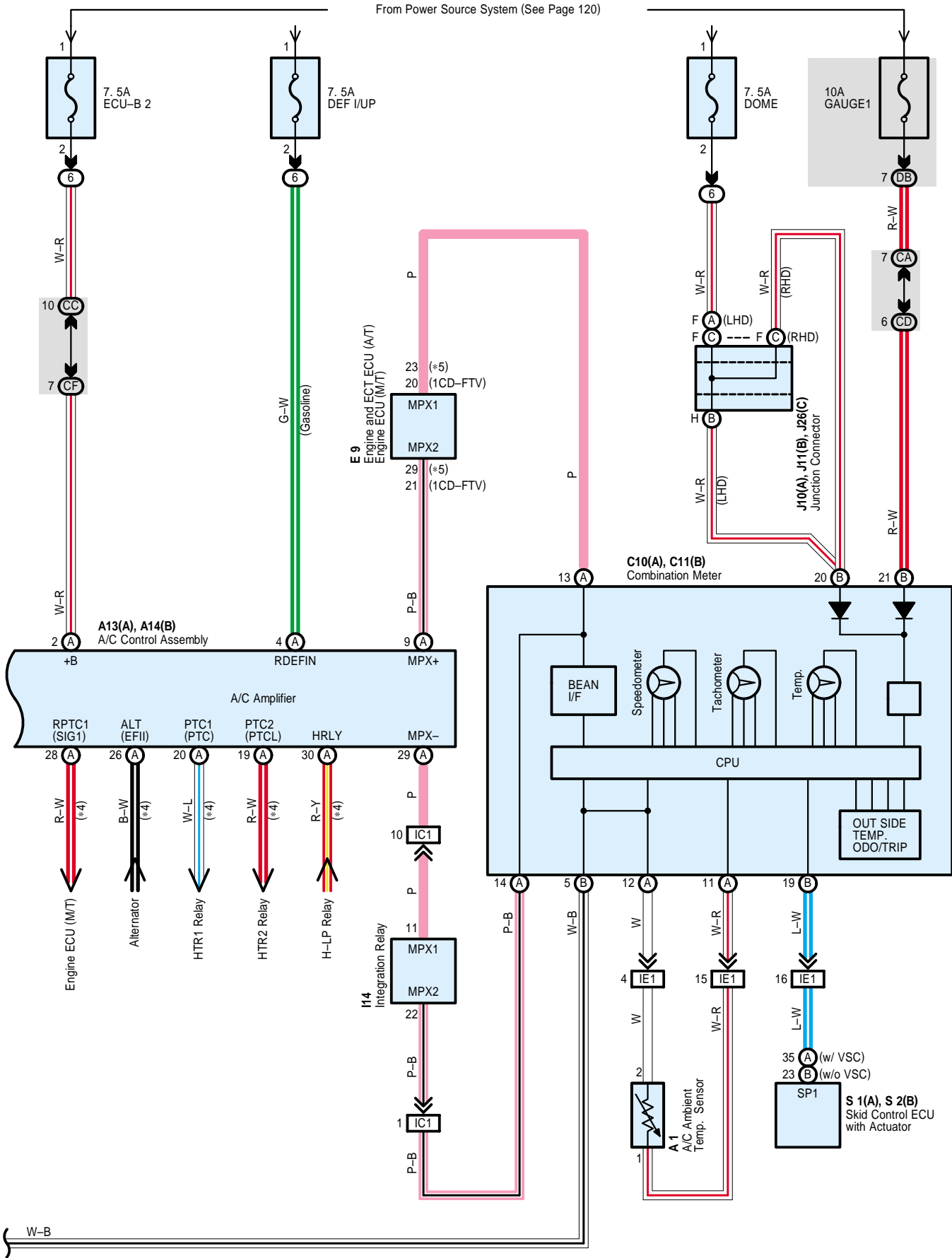
Power Heater (Hot Gas Type Manual A/C)



Air Conditioner (Manual A/C) and



Power Heater (Hot Gas Type Manual A/C)



System Outline

1. Heater Blower Motor Operation

Current is applied at all times through the HTR (40A) fuse to TERMINAL 5 of the HTR relay.

When the ignition SW is turned on, current flows through the HTR (10A) fuse to TERMINAL 1 of the HTR relay to TERMINAL 2 to TERMINAL (B) 2 or (B) 3 of the A/C control assembly.

* Low speed operation

When the blower SW is moved to LO position, the current to TERMINAL (B) 2 of the A/C control assembly flows to TERMINAL (B) 1 to GROUND, causing the HTR relay is turned on. This causes the current to flow from the HTR (40A) fuse to TERMINAL 5 of the HTR relay to TERMINAL 3 to TERMINAL 1 of the blower motor to TERMINAL 2 to TERMINAL 1 of the blower resistor to TERMINAL 4 to GROUND, causing the blower motor to rotate at low speed.

* Medium speed operation (Operation at M1, M2)

When the blower SW is moved to M1 position, the current to TERMINAL (B) 2 of the A/C control assembly flows to TERMINAL (B) 1 to GROUND, turns the HTR relay on. This causes the current to flow from the HTR (40A) fuse to TERMINAL 5 of the HTR relay to TERMINAL 3 to TERMINAL 1 of the blower motor to TERMINAL 2 to TERMINAL 1 of the blower resistor to TERMINAL 2 to TERMINAL (B) 6 of the A/C control assembly to TERMINAL (B) 1 to GROUND. At this time, the blower resistance of the blower resistor is less than at low speed, so the blower motor rotates at medium low speed.

When the blower SW is moved to M2 position, the current to TERMINAL (B) 3 of the A/C control assembly flows to TERMINAL (B) 1 to GROUND, turns the HTR relay on. This causes the current to flow from the HTR (40A) fuse to TERMINAL 5 of the HTR relay to TERMINAL 3 to TERMINAL 1 of the blower motor to TERMINAL 2 to TERMINAL 1 of the blower resistor to TERMINAL 3 to TERMINAL (B) 5 of the A/C control assembly to TERMINAL (B) 1 to GROUND. At this time, resistance of the blower resistor is less than at M1 position, so the blower motor rotates at medium high speed.

* High speed operation

When the blower SW is moved to HI position, the current flows to TERMINAL (B) 3 of the A/C control assembly to TERMINAL (B) 1 to GROUND and turns the HTR relay on.

This causes the current to flow from the HTR (40A) fuse to TERMINAL 5 of the HTR relay to TERMINAL 3 to TERMINAL 1 of the blower motor to TERMINAL 2 to TERMINAL (B) 4 of the A/C control assembly to TERMINAL (B) 1 to GROUND, causing the blower motor to rotate at high speed.

2. Air Inlet Control Servo Motor Control

When the FRESH/RECIRC select SW is set to RECIRC, the motor in the air inlet control servo motor starts rotating to move the damper toward the RECIRC side. The motor is continuously rotates until the damper reaches its stop position. When the FRESH/RECIRC select SW is set to FRESH, the motor in the air inlet control servo motor starts rotating to move the damper toward the FRESH side. The motor is continuously rotated until the damper reaches its stop position. However, when the mode SW is at DEF position, forcibly the air intake is set to FRESH mode.

3. Air Vent Mode Control Servo Motor Control

If the mode select SW is operated, the A/C control assembly is controlled to operate the air vent mode control servo motor and the positions of outlets change among FACE, BI-LEVEL, FOOT, FOOT/DEF and DEF.

4. Air Mix Control Servo Motor Control

According to the signals from various sensors, the A/C control assembly operates the air mix control servo motor and sets the blowoff temperature to the most appropriate degree in order to adjust the temperature to the desired degree set by the temperature control SW.

5. Air Conditioning Operation

If the A/C control SW is turned on when the blower SW is set to on, A/C operation starts.

6. Hot Gas Operation (1CD-FTV)

This function uses air conditioner parts to radiate heat through an evaporator during air compression by the compressor.

Hot gas operation takes place when any of the following conditions is met:

- * The power heater SW is turned on.
- * The FRESH/RECIRC select SW is set to FRESH.
- * The blower SW is turned on.
- * The outside temperature is 0 °C or below.
- * The water temperature is 70 °C or below
- * MAX HOT

Power Heater (Hot Gas Type Manual A/C)

Service Hints

A13 (A), A14 (B) A/C Control Assembly

(A) 40–Ground : Always continuity

(A) 1, (A) 35, (B) 2, (B) 3–Ground : Approx. 12 volts with the ignition SW at ON position

(A) 2–Ground : Always approx. 12 volts

○ : Parts Location

Code	See Page	Code	See Page	Code	See Page	
A1	40 (*4)	A25	66 (RHD)	J15	48 (LHD)	
	42 (*5)	B4	46 (LHD)		68 (RHD)	
	44 (*6)		B6	66 (RHD)	J16	48 (LHD)
	60 (*8)	46 (LHD)		68 (RHD)		
	62 (*9)	66 (RHD)		J17	48 (LHD)	
	64 (*10)	40 (*4)			68 (RHD)	
A3	40 (*4)	C3	42 (*5)	J26	C	68 (RHD)
	42 (*5)		44 (*6)	J27	D	68 (RHD)
	44 (*6)		60 (*8)	J28	68 (RHD)	
	60 (*8)		62 (*9)	P4	49 (LHD)	
	62 (*9)		64 (*10)		69 (RHD)	
	64 (*10)		C4	44 (*6)	P5	49 (LHD)
A13	A	46 (LHD)		69 (RHD)		
A14	B	C10	A	S1	A	45 (*6)
						66 (RHD)
A19		C11	B	S2	B	41 (*4)
						46 (LHD)
A22		E9				45 (*6)
						66 (RHD)
A23		I14				63 (*9)
						46 (LHD)
A25		J10	A			
		J11	B			

○ : Relay Blocks

Code	See Page	Relay Blocks (Relay Block Location)
1	24 (*1)	Engine Room R/B No.1 (Engine Compartment Left)
	25 (*2)	
6	29	Fuse Block (Lower Finish Panel)

* 1 : Gasoline * 2 : 1CD–FTV * 3 : LHD 1AZ–FSE * 4 : LHD 1AZ–FE * 5 : LHD 1ZZ–FE, 3ZZ–FE * 6 : LHD 1CD–FTV

* 7 : RHD 1AZ–FSE * 8 : RHD 1AZ–FE * 9 : RHD 1ZZ–FE, 3ZZ–FE * 10 : RHD 1CD–FTV

Air Conditioner (Manual A/C) and Power Heater (Hot Gas Type Manual A/C)

: Junction Block and Wire Harness Connector

Code	See Page	Junction Block and Wire Harness (Connector Location)
CA	34	Instrument Panel Wire and Center J/B (Instrument Panel Reinforcement RH)
CB		
CC		
CD		
CE		
CF		
CG	35	
CJ		
CK		
DA	30	Instrument Panel Wire and Driver Side J/B (Left Side of the Instrument Panel)
DB		
DC		
DF		
DP	31	Engine Room Main Wire and Driver Side J/B (Left Side of the Instrument Panel)

: Connector Joining Wire Harness and Wire Harness

Code	See Page	Joining Wire Harness and Wire Harness (Connector Location)
IC1	86 (LHD)	Instrument Panel Wire and Floor Wire (Left Kick Panel)
	106 (RHD)	
IE1	86 (LHD)	Engine Room Main Wire and Instrument Panel Wire (Behind the Combination Meter)
	106 (RHD)	Engine Room Main Wire and Instrument Panel Wire (Behind the Glove Box)
IE2	86 (LHD)	Engine Room Main Wire and Instrument Panel Wire (Behind the Combination Meter)
	106 (RHD)	Engine Room Main Wire and Instrument Panel Wire (Behind the Glove Box)
IJ1	88 (LHD)	Instrument Panel Wire and A/C Sub Wire No.2 (Left Side of the A/C Unit)
	108 (RHD)	Instrument Panel Wire and A/C Sub Wire No.2 (Right Side of the A/C Unit)
IK2	88 (LHD)	Engine Wire and Instrument Panel Wire (Behind the Glove Box)
	108 (RHD)	

: Ground Points

Code	See Page	Ground Points Location
IJ	86 (LHD)	Left Kick Panel
	106 (RHD)	
IK	86 (LHD)	Behind the Combination Meter
	106 (RHD)	
IL	86 (LHD)	
	106 (RHD)	
IP	86 (LHD)	Right Kick Panel
	106 (RHD)	

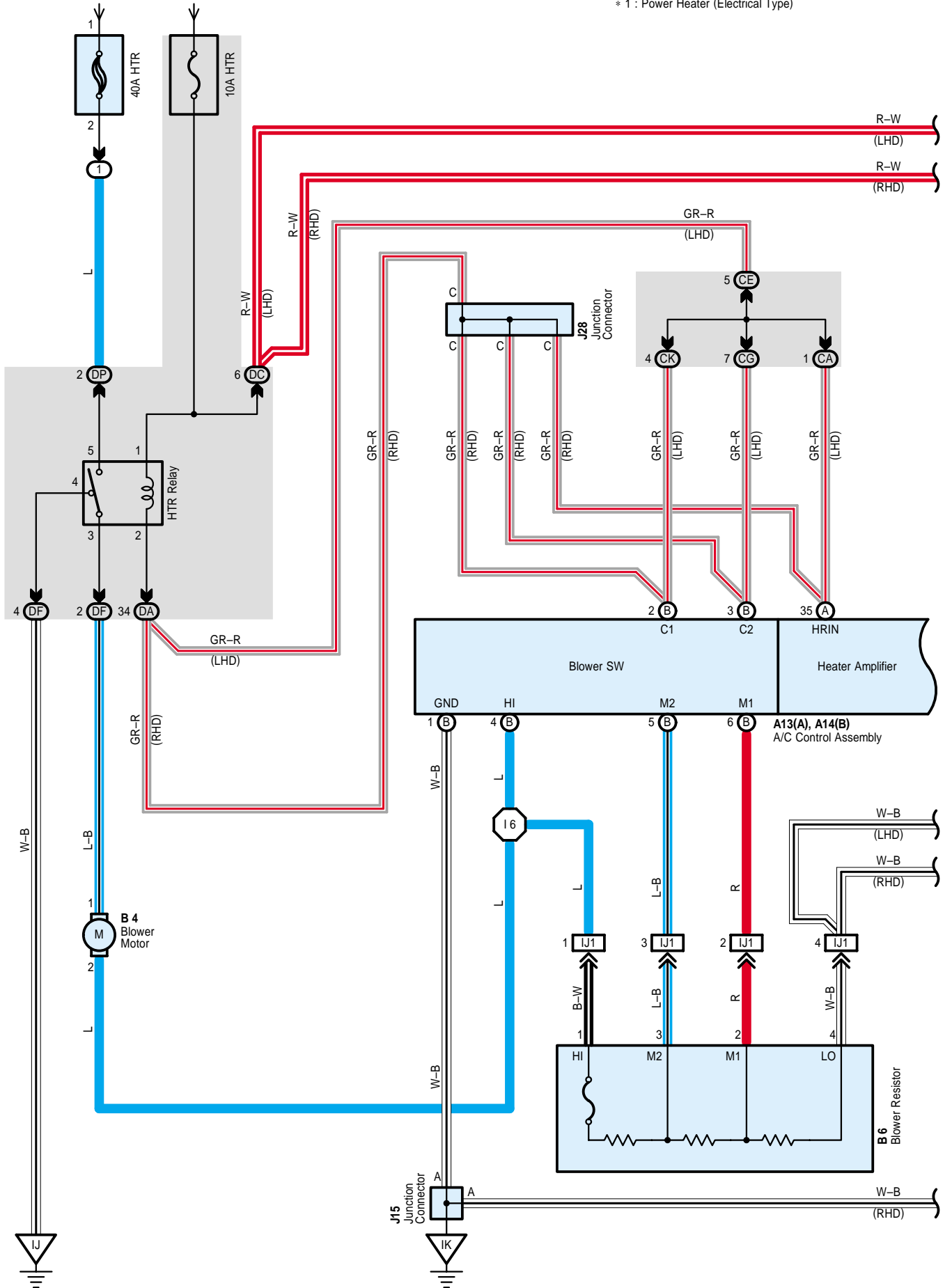
: Splice Points

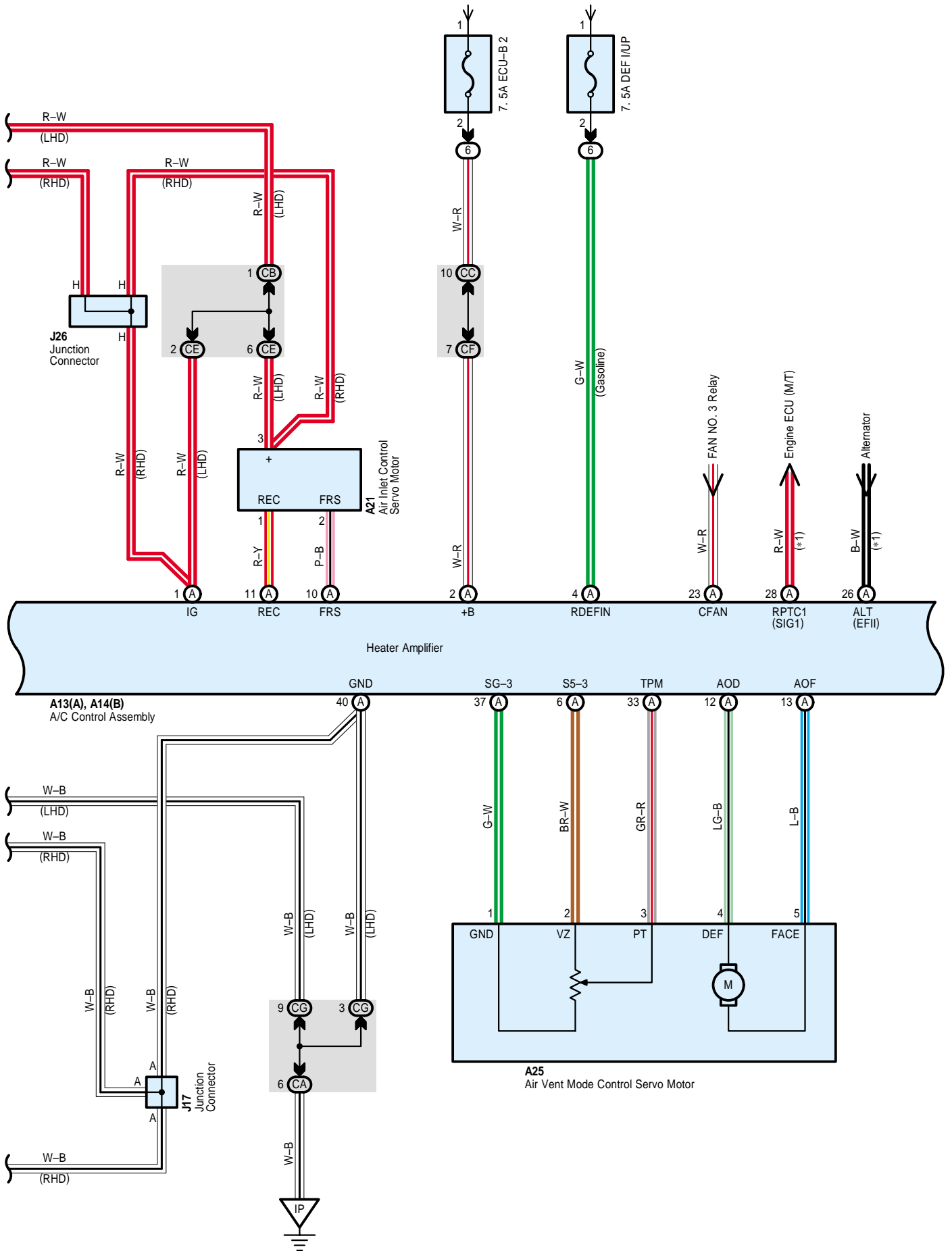
Code	See Page	Wire Harness with Splice Points	Code	See Page	Wire Harness with Splice Points
I6	88 (LHD)	Instrument Panel Wire	I6	108 (RHD)	Instrument Panel Wire

Heater

From Power Source System (See Page 120)

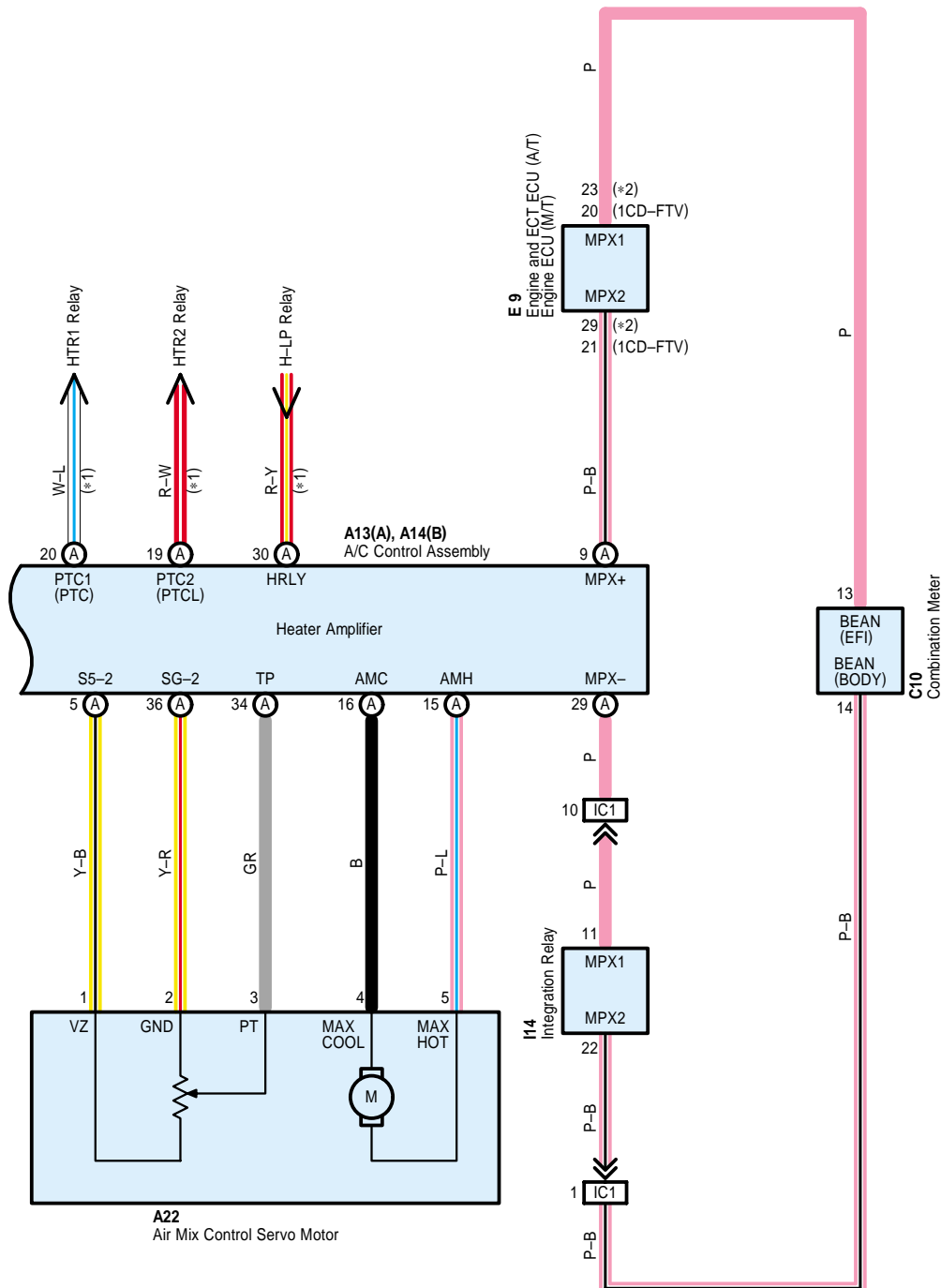
* 1 : Power Heater (Electrical Type)





Heater

- * 1 : Power Heater (Electrical Type)
- * 2 : 1AZ-FE, 1ZZ-FE, 3ZZ-FE



Service Hints

A13 (A), A14 (B) A/C Control Assembly

(A)40, (B) 1–Ground : Always continuity

(A) 1, (A) 35, (B) 2, (B) 3–Ground : Approx. 12 volts with the ignition SW at ON position

(A) 2–Ground : Always approx. 12 volts

○ : Parts Location

Code		See Page	Code	See Page	Code	See Page
A13	A	46 (LHD)	A25	66 (RHD)	I14	47 (LHD)
		66 (RHD)		46 (LHD)		67 (RHD)
A14	B	46 (LHD)	B4	66 (RHD)	J15	48 (LHD)
		66 (RHD)		46 (LHD)		68 (RHD)
A21		46 (LHD)	B6	66 (RHD)	J17	48 (LHD)
		66 (RHD)		46 (LHD)		68 (RHD)
A22		46 (LHD)	C10	66 (RHD)	J26	68 (RHD)
		66 (RHD)		47 (LHD)		68 (RHD)
A25		46 (LHD)	E9	67 (RHD)		

○ : Relay Blocks

Code	See Page	Relay Blocks (Relay Block Location)
1	24 (*1)	Engine Room R/B No.1 (Engine Compartment Left)
	25 (*2)	
6	29	Fuse Block (Lower Finish Panel)

○ : Junction Block and Wire Harness Connector

Code	See Page	Junction Block and Wire Harness (Connector Location)
CA	34	Instrument Panel Wire and Center J/B (Instrument Panel Reinforcement RH)
CB		
CC		
CE		
CF		
CG	35	
CK		
DA	30	Instrument Panel Wire and Driver Side J/B (Left Side of the Instrument Panel)
DC		
DF		
DP	31	Engine Room Main Wire and Driver Side J/B (Left Side of the Instrument Panel)

□ : Connector Joining Wire Harness and Wire Harness

Code	See Page	Joining Wire Harness and Wire Harness (Connector Location)
IC1	86 (LHD)	Instrument Panel Wire and Floor Wire (Left Kick Panel)
	106 (RHD)	
IJ1	88 (LHD)	Instrument Panel Wire and A/C Sub Wire No.2 (Left Side of the A/C Unit)
	108 (RHD)	Instrument Panel Wire and A/C Sub Wire No.2 (Right Side of the A/C Unit)

* 1 : Gasoline * 2 : 1CD–FTV * 3 : LHD 1AZ–FSE * 4 : LHD 1AZ–FE * 5 : LHD 1ZZ–FE, 3ZZ–FE * 6 : LHD 1CD–FTV

* 7 : RHD 1AZ–FSE * 8 : RHD 1AZ–FE * 9 : RHD 1ZZ–FE, 3ZZ–FE * 10 : RHD 1CD–FTV

Heater



: Ground Points

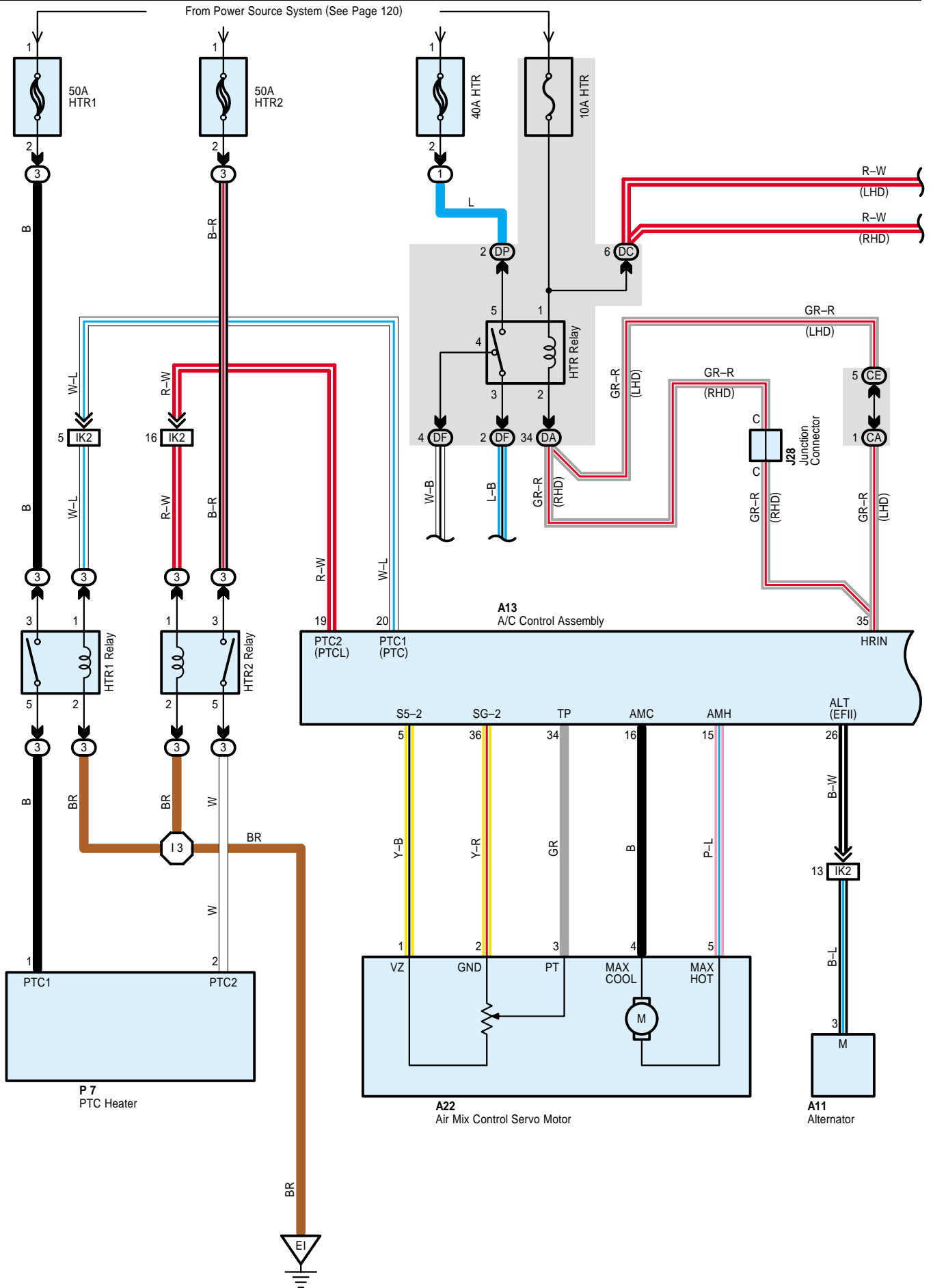
Code	See Page	Ground Points Location
IJ	86 (LHD)	Left Kick Panel
	106 (RHD)	
IK	86 (LHD)	Behind the Combination Meter
	106 (RHD)	
IP	86 (LHD)	Right Kick Panel
	106 (RHD)	



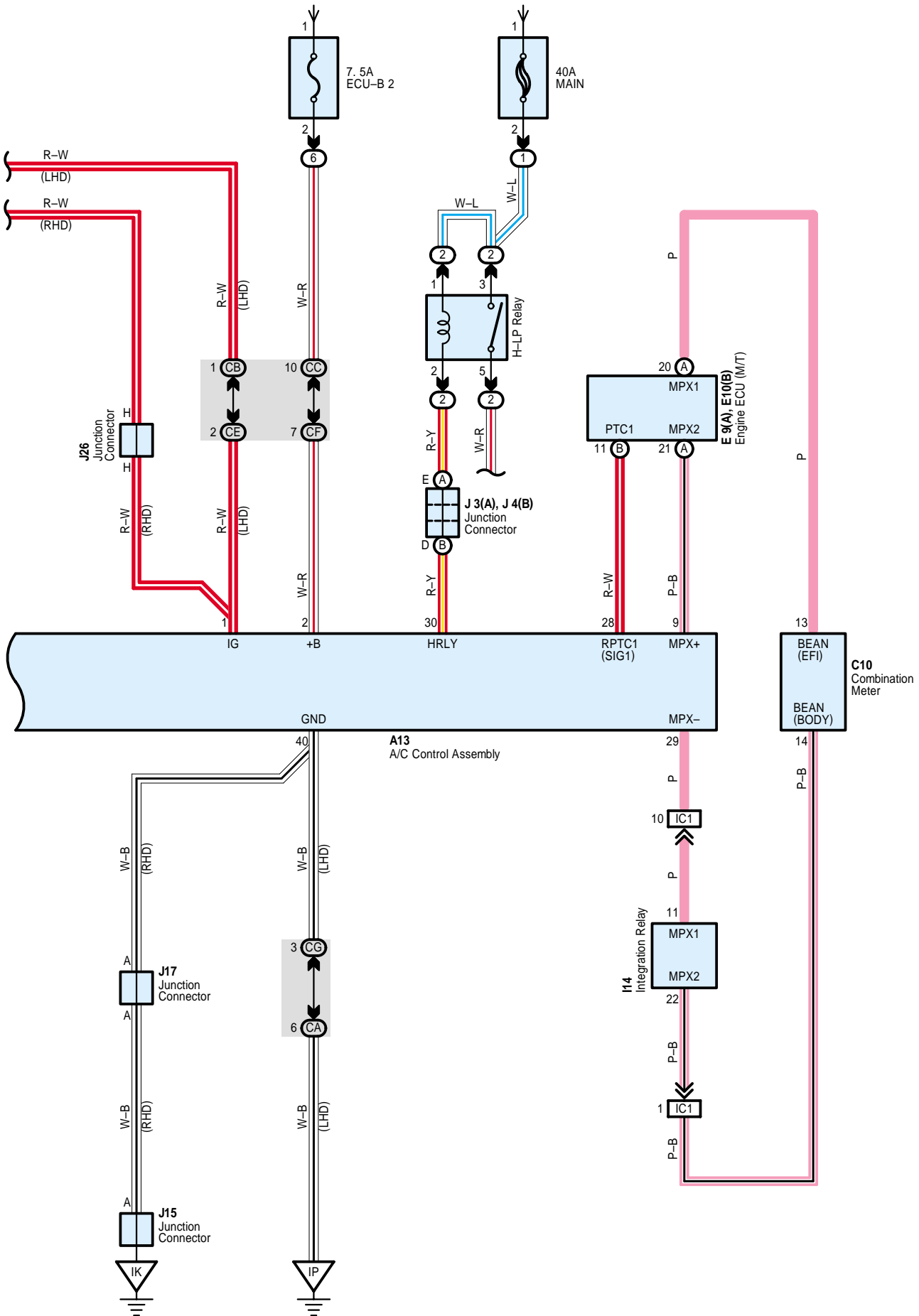
: Splice Points

Code	See Page	Wire Harness with Splice Points	Code	See Page	Wire Harness with Splice Points
I6	88 (LHD)	Instrument Panel Wire	I6	108 (RHD)	Instrument Panel Wire

Power Heater (Electrical Type)



From Power Source System (See Page 120)



Power Heater (Electrical Type)

Service Hints

HTR1 Relay

- 2-Ground : Always continuity
- 3-Ground : Always approx. 12 volts

HTR2 Relay

- 2-Ground : Always continuity
- 3-Ground : Always approx. 12 volts

○ : Parts Location

Code	See Page	Code	See Page	Code	See Page		
A11	44 (*6)	E9	A	47 (LHD)	J4	B	48 (LHD)
	64 (*10)						67 (RHD)
A13	46 (LHD)	E10	B	47 (LHD)	J15	J17	68 (RHD)
	66 (RHD)			67 (RHD)			68 (RHD)
A22	46 (LHD)	I14		47 (LHD)	J26	J28	68 (RHD)
	66 (RHD)			67 (RHD)			68 (RHD)
C10	46 (LHD)	J3	A	48 (LHD)	P7		49 (LHD)
	66 (RHD)			68 (RHD)			69 (RHD)

○ : Relay Blocks

Code	See Page	Relay Blocks (Relay Block Location)
1	25 (*2)	Engine Room R/B No.1 (Engine Compartment Left)
2	26	Engine Room R/B No.2 (Near the Radiator Fan)
3	26	Engine Room R/B No.3 (Left Side of the Suspension Tower)
6	29	Fuse Block (Lower Finish Panel)

○ : Junction Block and Wire Harness Connector

Code	See Page	Junction Block and Wire Harness (Connector Location)
CA	34	Instrument Panel Wire and Center J/B (Instrument Panel Reinforcement RH)
CB		
CC		
CE		
CF		
CG	35	
DA	30	Instrument Panel Wire and Driver Side J/B (Left Side of the Instrument Panel)
DC		
DF		
DP	31	Engine Room Main Wire and Driver Side J/B (Left Side of the Instrument Panel)

□ : Connector Joining Wire Harness and Wire Harness

Code	See Page	Joining Wire Harness and Wire Harness (Connector Location)
IC1	86 (LHD)	Instrument Panel Wire and Floor Wire (Left Kick Panel)
	106 (RHD)	
IK2	88 (LHD)	Engine Wire and Instrument Panel Wire (Behind the Glove Box)
	108 (RHD)	

▽ : Ground Points

Code	See Page	Ground Points Location
EI	84 (*6)	Near the Starter
	104 (*10)	
IK	106 (RHD)	Behind the Combination Meter
IP	86 (LHD)	Right Kick Panel

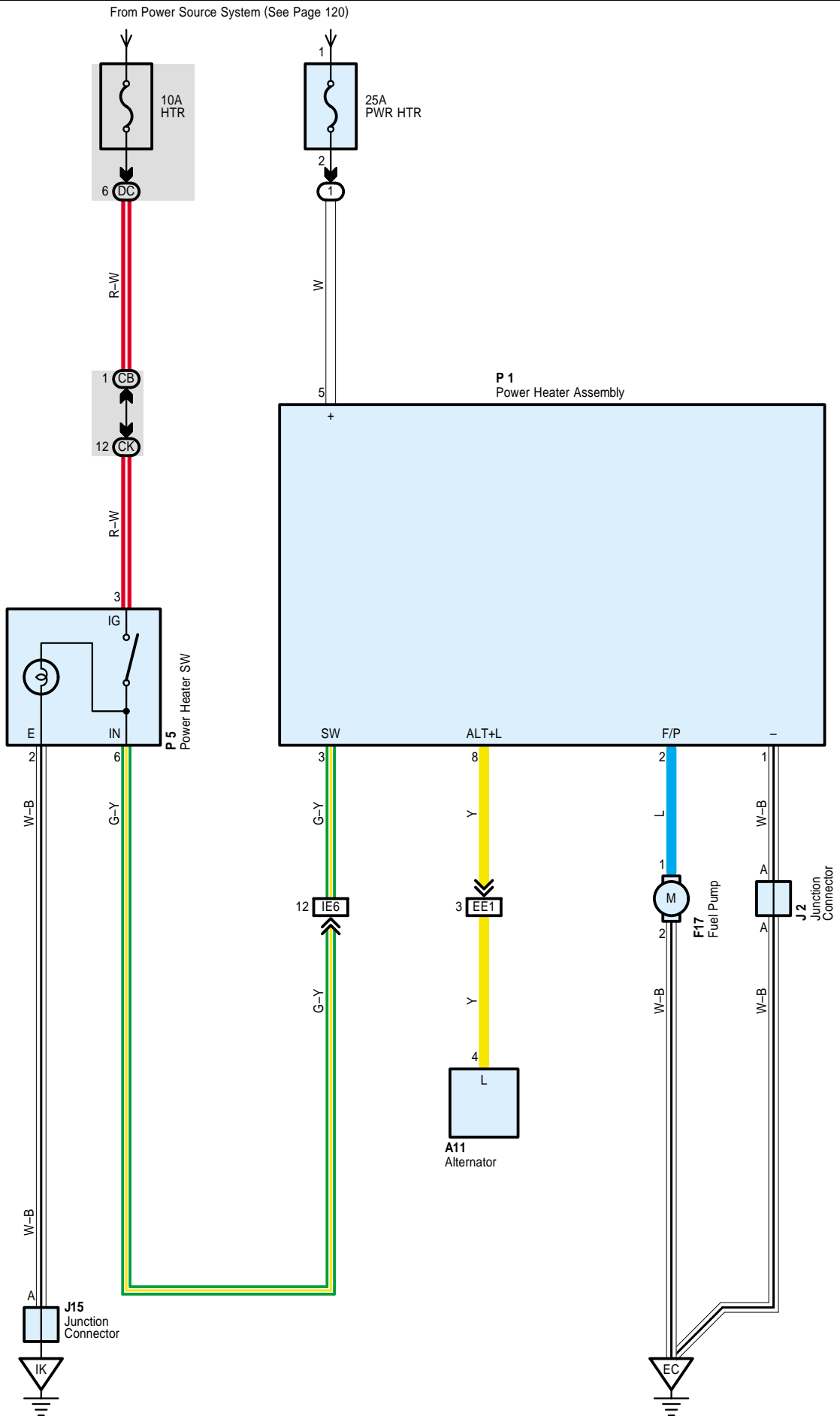
* 1 : Gasoline * 2 : 1CD-FTV * 3 : LHD 1AZ-FSE * 4 : LHD 1AZ-FE * 5 : LHD 1ZZ-FE, 3ZZ-FE * 6 : LHD 1CD-FTV
 * 7 : RHD 1AZ-FSE * 8 : RHD 1AZ-FE * 9 : RHD 1ZZ-FE, 3ZZ-FE * 10 : RHD 1CD-FTV



: Splice Points

Code	See Page	Wire Harness with Splice Points	Code	See Page	Wire Harness with Splice Points
I3	88 (LHD)	Engine Wire	I3	108 (RHD)	Engine Wire

Power Heater (Combustion Type)



Service Hints

P1 Power Heater Assembly

5-Ground : Always approx. 12 volts

3-Ground : Approx. 12 volts with the ignition SW at ON position and power heater SW on

1-Ground : Always continuity

○ : Parts Location

Code	See Page	Code	See Page	Code	See Page
A11	44 (*6)	J2	45 (*6)	P1	45 (*6)
F17	44 (*6)	J15	48 (LHD)	P5	49 (LHD)

○ : Relay Blocks

Code	See Page	Relay Blocks (Relay Block Location)
1	25 (*2)	Engine Room R/B No.1 (Engine Compartment Left)

○ : Junction Block and Wire Harness Connector

Code	See Page	Junction Block and Wire Harness (Connector Location)
CB	34	Instrument Panel Wire and Center J/B (Instrument Panel Reinforcement RH)
CK	35	
DC	30	Instrument Panel Wire and Driver Side J/B (Left Side of the Instrument Panel)

□ : Connector Joining Wire Harness and Wire Harness

Code	See Page	Joining Wire Harness and Wire Harness (Connector Location)
EE1	84 (*6)	Engine Wire and Engine Room Main Wire (Engine Compartment Left)
IE6	86 (LHD)	Engine Room Main Wire and Instrument Panel Wire (Behind the Combination Meter)

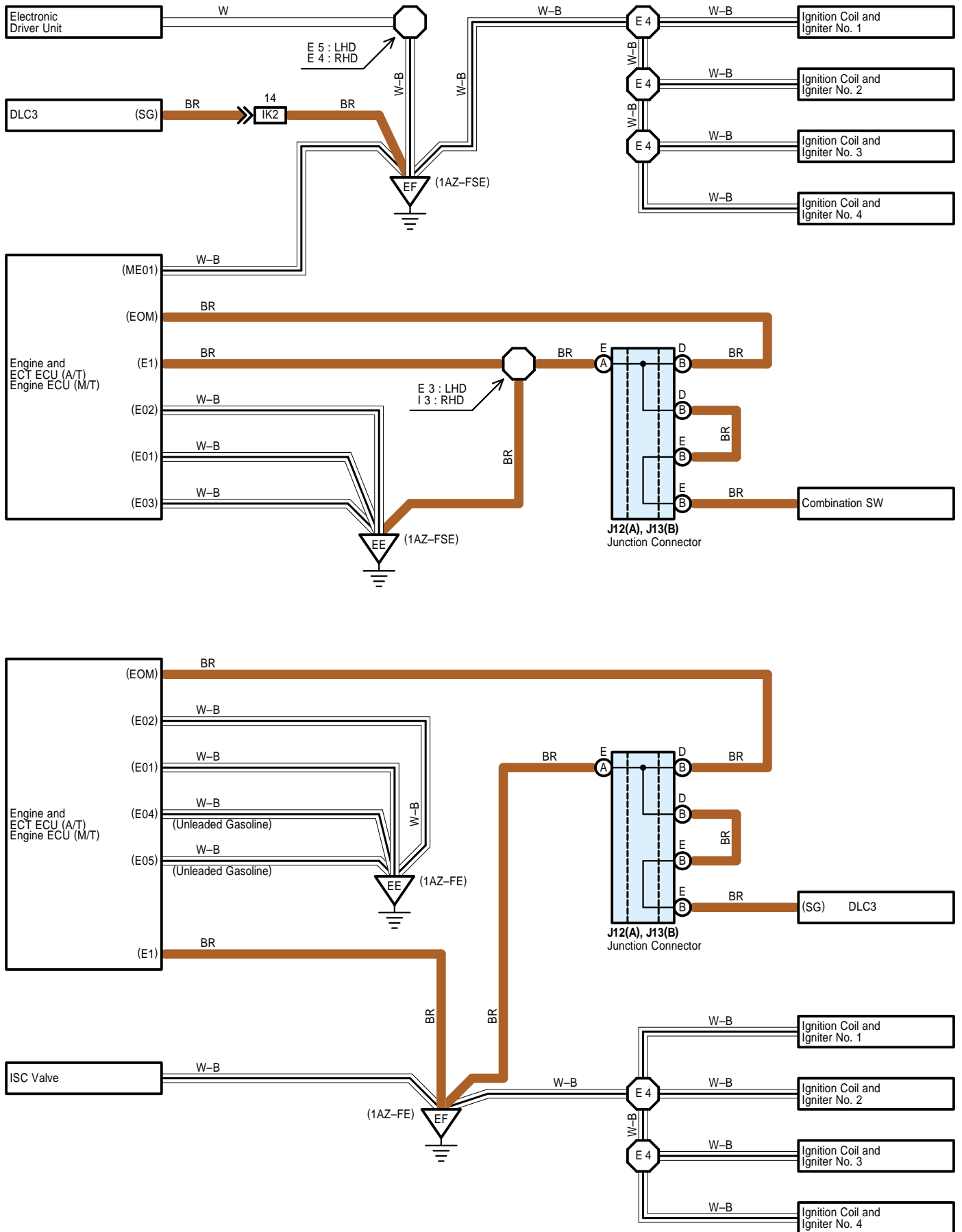
▽ : Ground Points

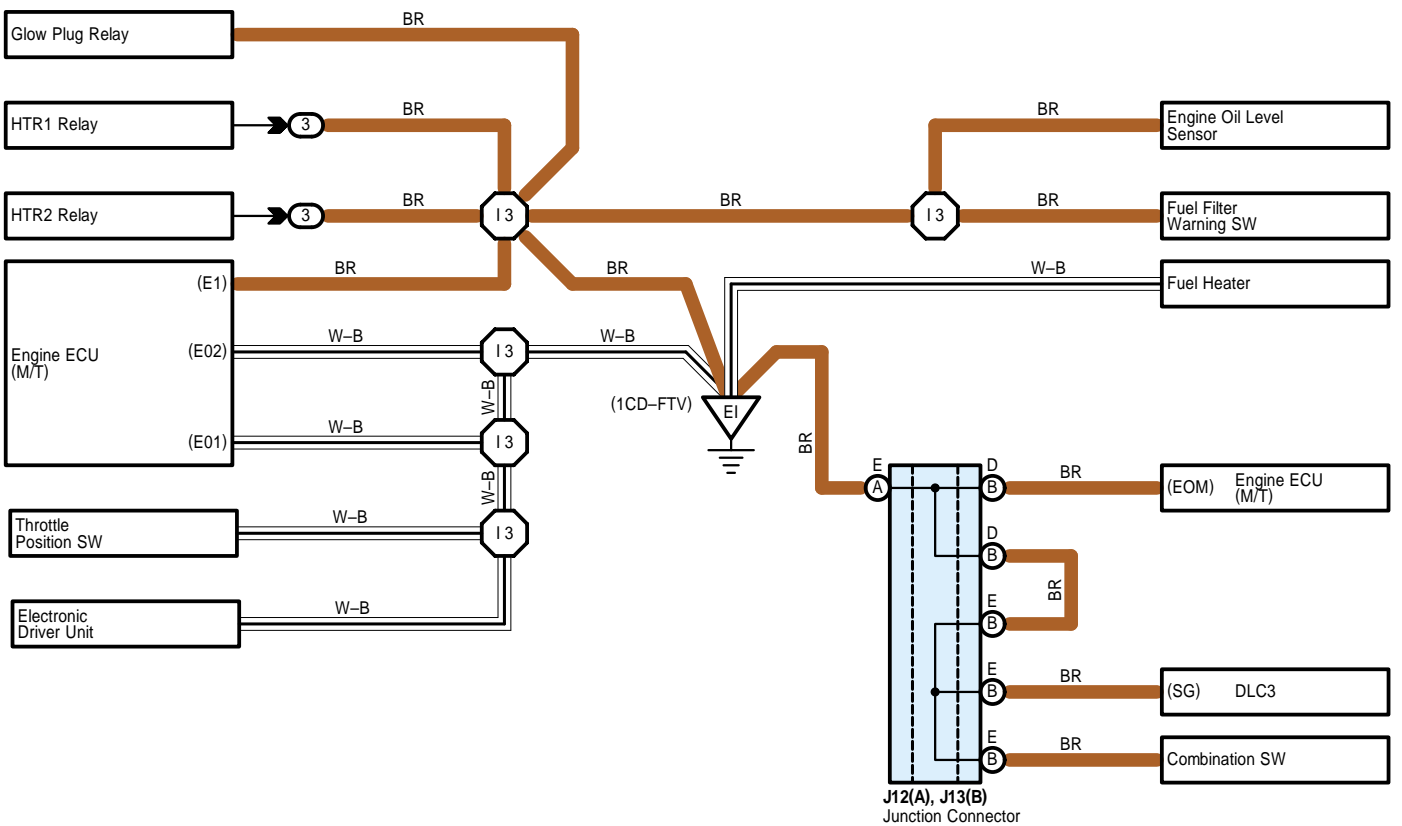
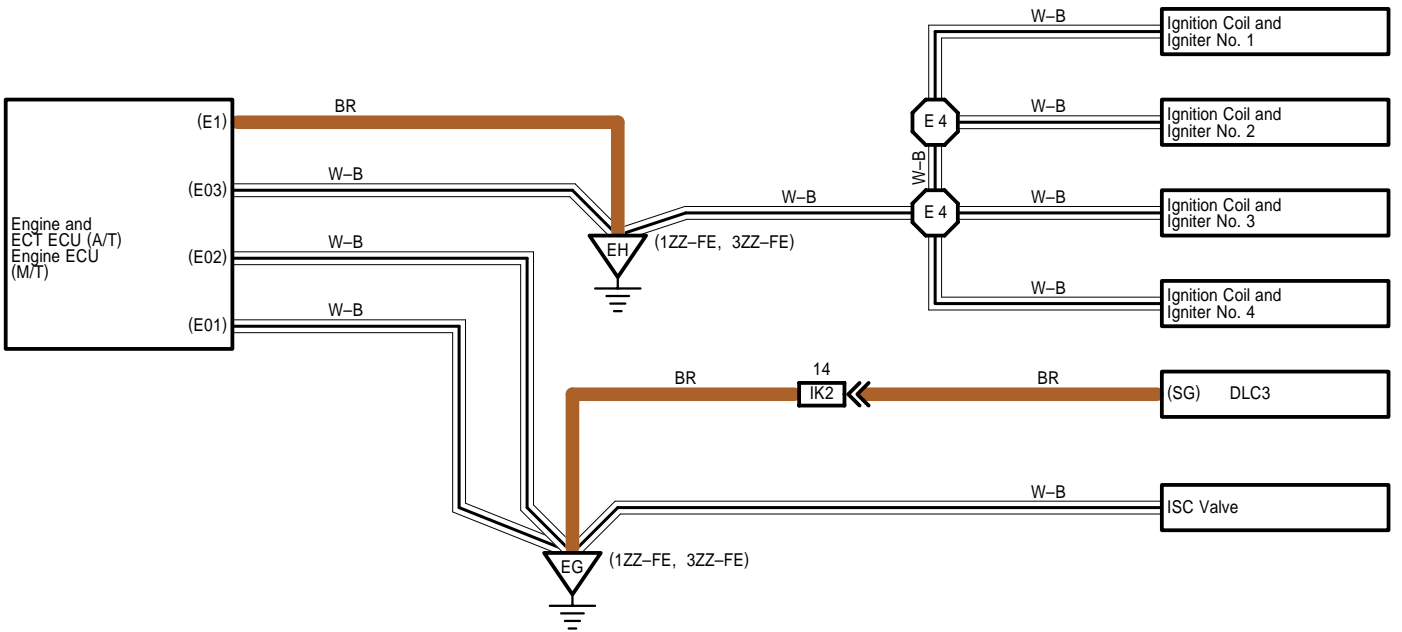
Code	See Page	Ground Points Location
EC	84 (*6)	Engine Compartment Left
IK	86 (LHD)	Behind the Combination Meter

* 1 : Gasoline * 2 : 1CD-FTV * 3 : LHD 1AZ-FSE * 4 : LHD 1AZ-FE * 5 : LHD 1ZZ-FE, 3ZZ-FE * 6 : LHD 1CD-FTV

* 7 : RHD 1AZ-FSE * 8 : RHD 1AZ-FE * 9 : RHD 1ZZ-FE, 3ZZ-FE * 10 : RHD 1CD-FTV

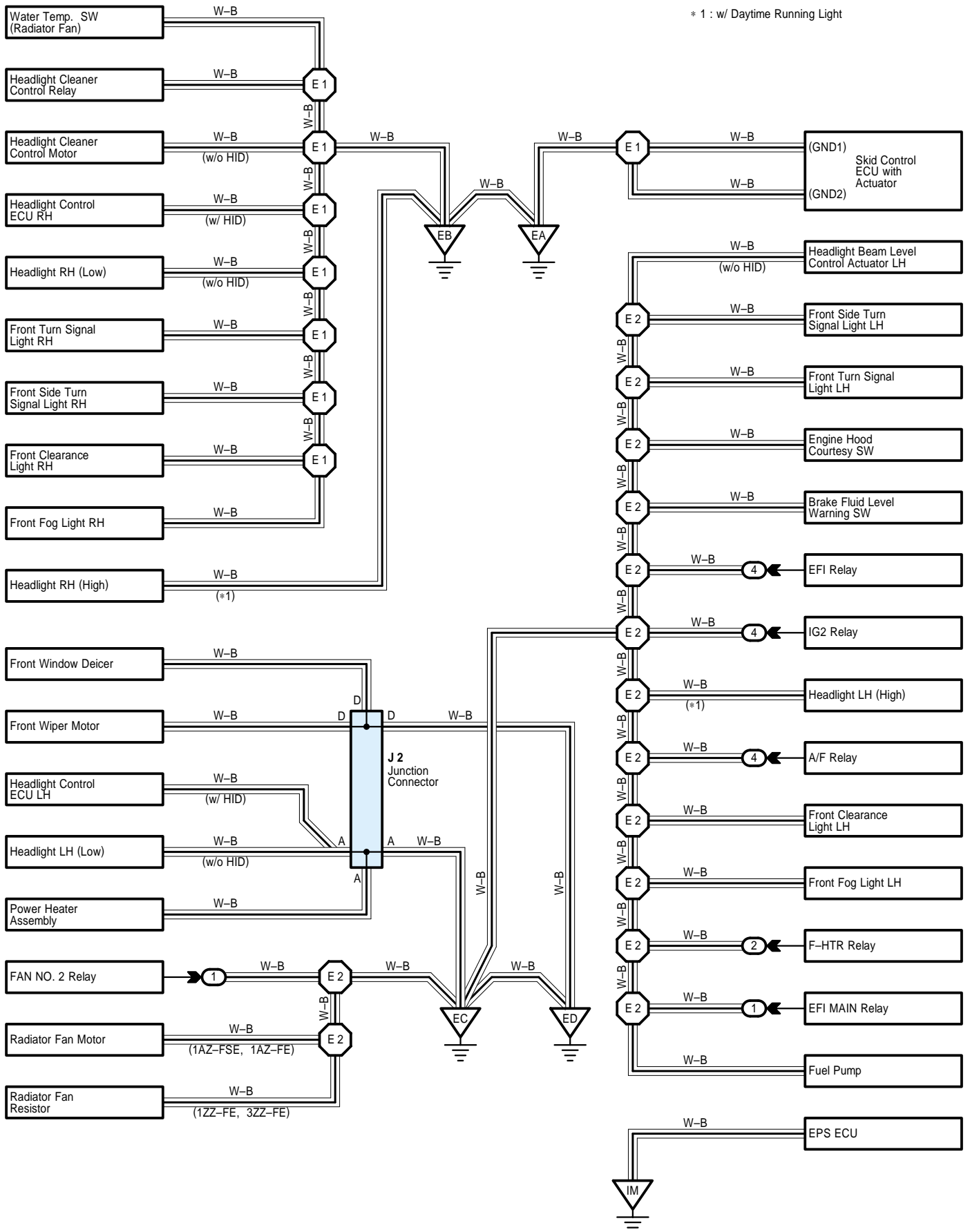
I GROUND POINT

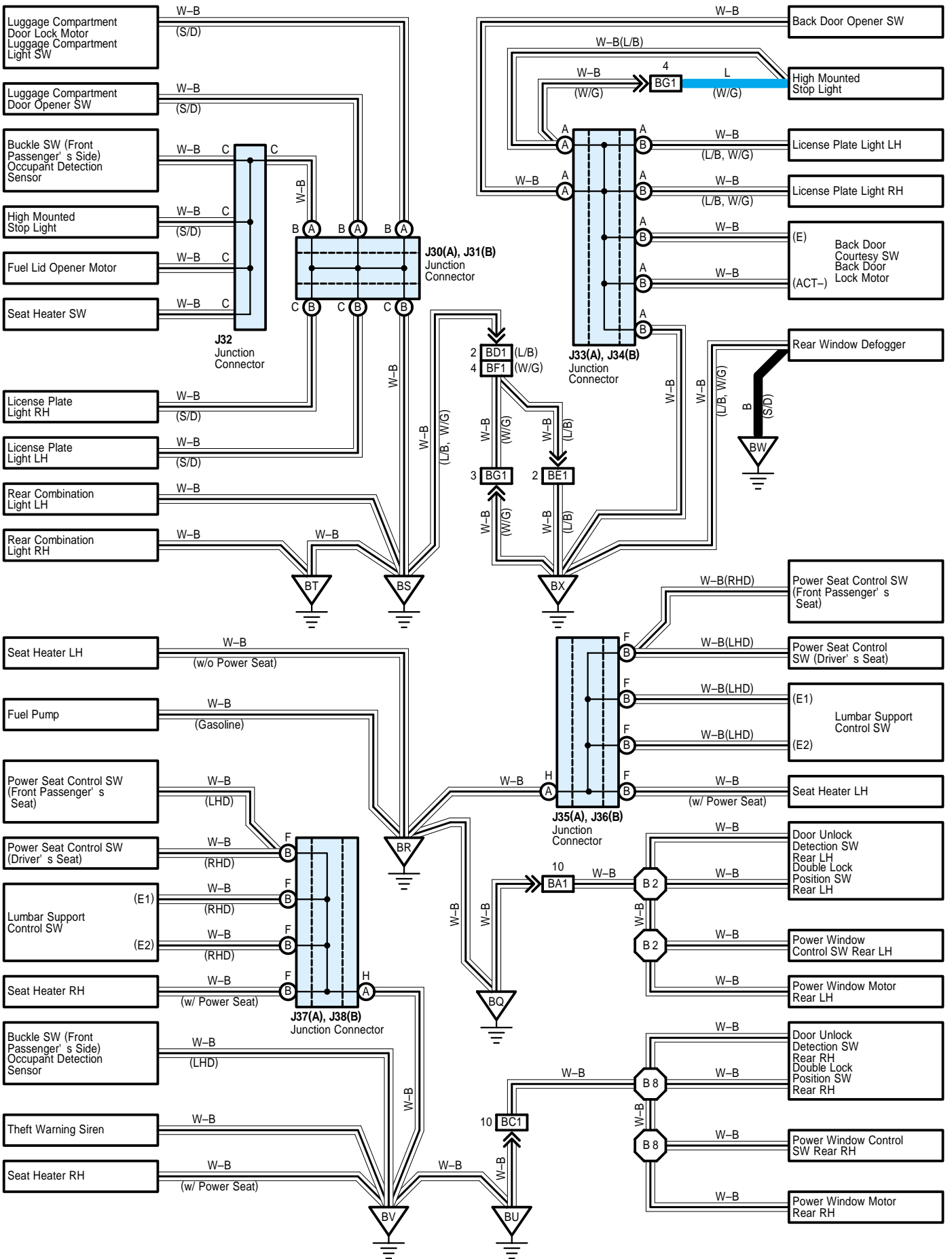




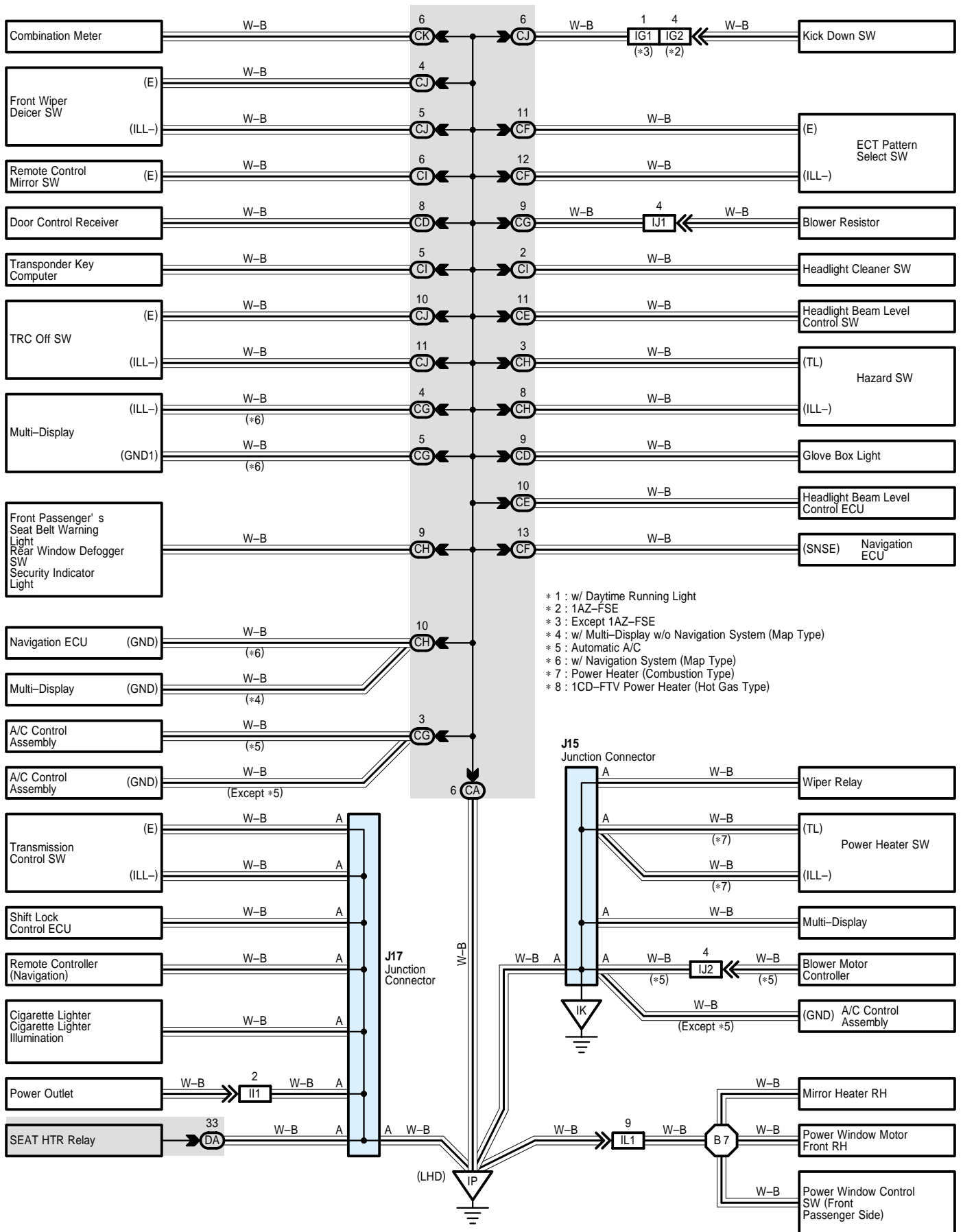
I GROUND POINT

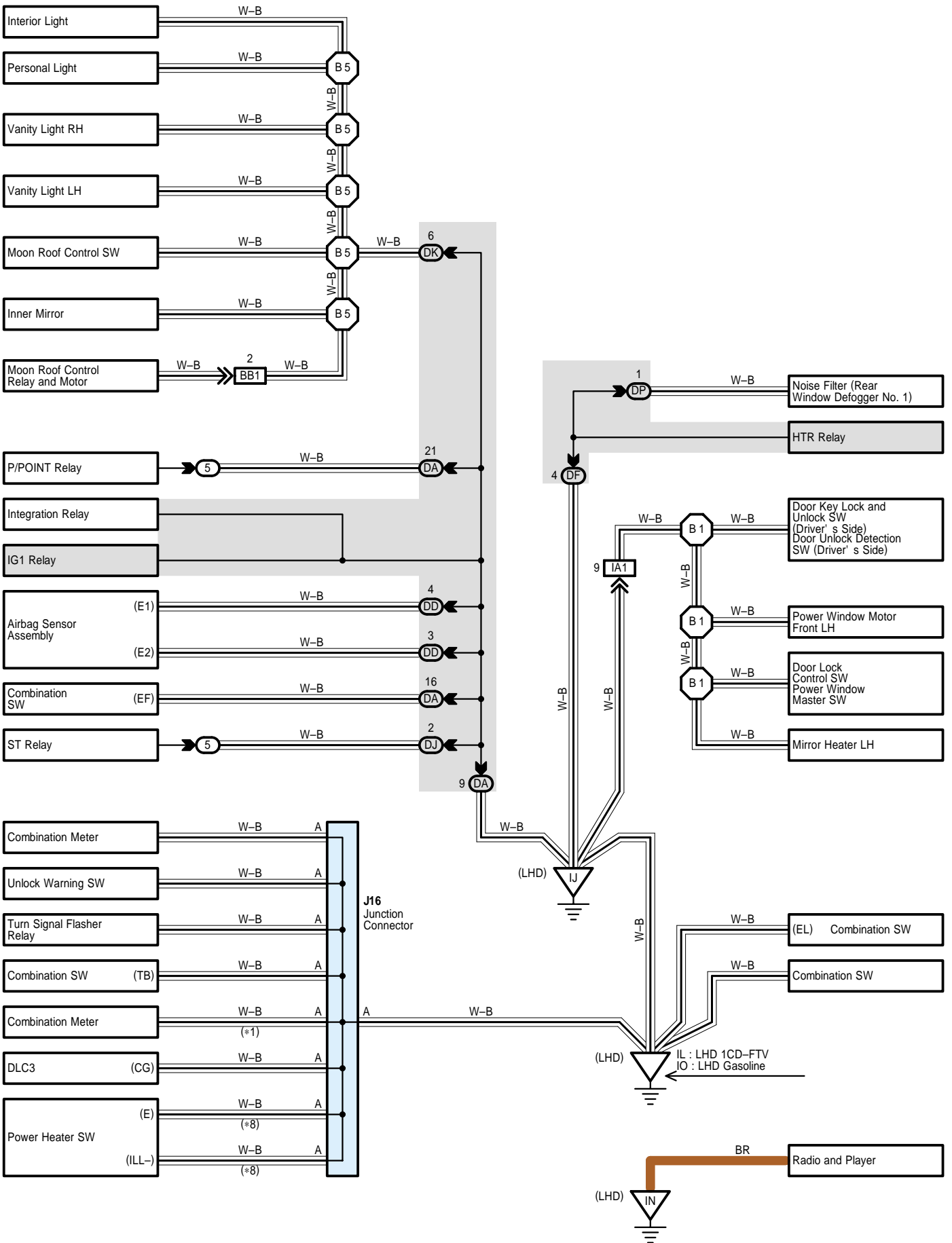
* 1 : w/ Daytime Running Light



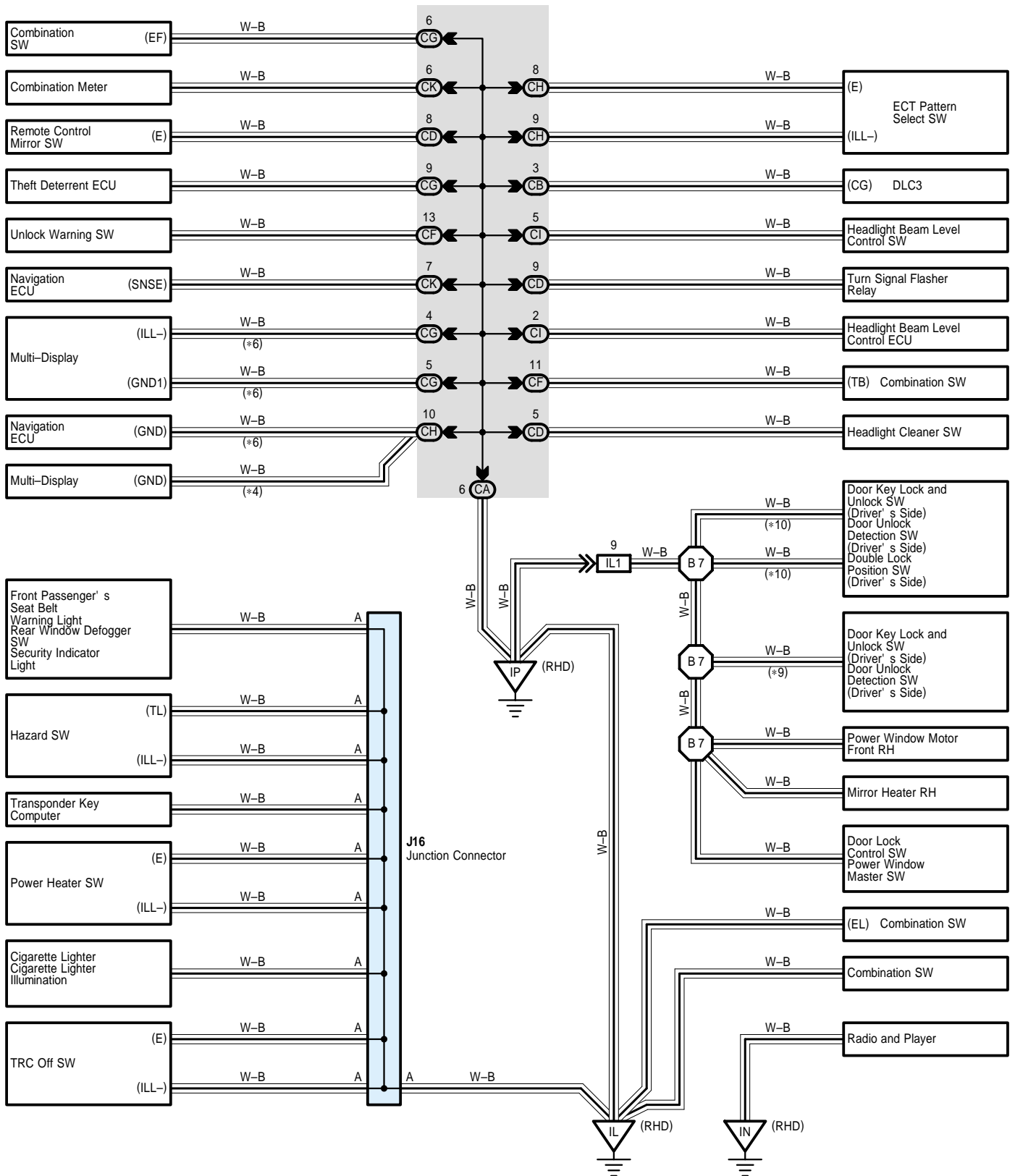


I GROUND POINT

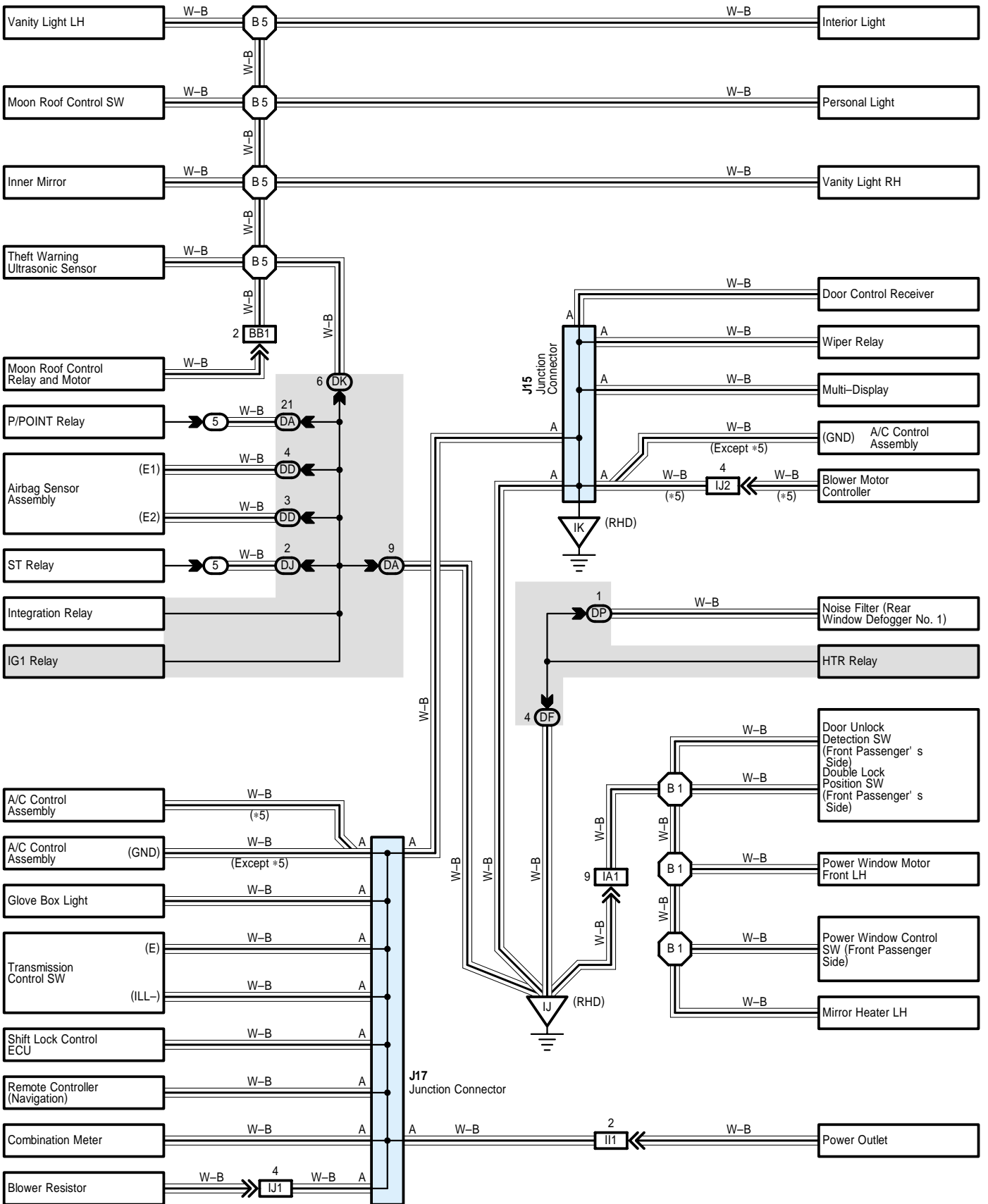




I GROUND POINT



- * 4 : w/ Multi-Display w/o Navigation System (Map Type)
- * 5 : Automatic A/C
- * 6 : w/ Navigation System (Map Type)
- * 9 : w/o Double Locking
- * 10 : w/ Double Locking



I GROUND POINT

○ : Parts Location

Code		See Page	Code		See Page	Code		See Page				
J2		39 (*3)	J30	A	51 (LHD S/D)	J33	A	53 (LHD L/B)				
		41 (*4)			53 (LHD L/B)			55 (LHD W/G)				
		43 (*5)			55 (LHD W/G)			73 (RHD L/B)				
		45 (*6)			71 (RHD S/D)			75 (RHD W/G)				
		59 (*7)			73 (RHD L/B)							
		61 (*8)			75 (RHD W/G)							
		63 (*9)			51 (LHD S/D)							
	65 (*10)	53 (LHD L/B)										
J12	A	48 (LHD)	J31	B	55 (LHD W/G)	J35	A	56 (LHD)				
		68 (RHD)			71 (RHD S/D)			76 (RHD)				
J13	B	48 (LHD)			73 (RHD L/B)			J36	B	56 (LHD)		
		68 (RHD)			75 (RHD W/G)					76 (RHD)		
J15		48 (LHD)			J32				51 (LHD S/D)	J37	A	56 (LHD)
		68 (RHD)						53 (LHD L/B)	76 (RHD)			
J16		48 (LHD)						55 (LHD W/G)	J38	B	56 (LHD)	
		68 (RHD)	71 (RHD S/D)	76 (RHD)								
J17		48 (LHD)	73 (RHD L/B)									
		68 (RHD)	75 (RHD W/G)									

○ : Relay Blocks

Code	See Page	Relay Blocks (Relay Block Location)
1	24 (*1)	Engine Room R/B No.1 (Engine Compartment Left)
	25 (*2)	
2	26	Engine Room R/B No.2 (Near the Radiator Fan)
3	26	Engine Room R/B No.3 (Left Side of the Suspension Tower)
4	27	Engine Room R/B No.4 (Left Side of the Suspension Tower)
5	28 (LHD)	Driver Side R/B (Left Side of the Instrument Panel)
	28 (RHD)	Driver Side R/B (Instrument Panel Reinforcement LH)

○ : Junction Block and Wire Harness Connector

Code	See Page	Junction Block and Wire Harness (Connector Location)
CA	34	Instrument Panel Wire and Center J/B (Instrument Panel Reinforcement RH)
CB		
CD		
CE		
CF		
CG		
CH	35	Instrument Panel Wire and Driver Side J/B (Left Side of the Instrument Panel)
CI		
CJ		
CK		
DA	30	Instrument Panel Wire and Driver Side J/B (Left Side of the Instrument Panel)
DD		
DF		
DJ		
DK	31	Roof Wire and Driver Side J/B (Left Side of the Instrument Panel)
DP	31	Engine Room Main Wire and Driver Side J/B (Left Side of the Instrument Panel)

* 1 : Gasoline * 2 : 1CD-FTV * 3 : LHD 1AZ-FSE * 4 : LHD 1AZ-FE * 5 : LHD 1ZZ-FE, 3ZZ-FE * 6 : LHD 1CD-FTV
 * 7 : RHD 1AZ-FSE * 8 : RHD 1AZ-FE * 9 : RHD 1ZZ-FE, 3ZZ-FE * 10 : RHD 1CD-FTV

☐ : Connector Joining Wire Harness and Wire Harness

Code	See Page	Joining Wire Harness and Wire Harness (Connector Location)
IA1	86 (LHD)	Front Door LH Wire and Instrument Panel Wire (Left Kick Panel)
	106 (RHD)	
IG1	88 (LHD)	Instrument Panel Wire and Switch Wire (Instrument Panel Brace LH)
IG2		
II1	88 (LHD)	Instrument Panel Wire and Instrument Panel No.3 Wire (Under the Console Box)
	108 (RHD)	
IJ1	88 (LHD)	Instrument Panel Wire and A/C Sub Wire No.2 (Left Side of the A/C Unit)
	108 (RHD)	Instrument Panel Wire and A/C Sub Wire No.2 (Right Side of the A/C Unit)
IJ2	88 (LHD)	Instrument Panel Wire and A/C Sub Wire No.2 (Left Side of the A/C Unit)
	108 (RHD)	Instrument Panel Wire and A/C Sub Wire No.2 (Right Side of the A/C Unit)
IK2	88 (LHD)	Engine Wire and Instrument Panel Wire (Behind the Glove Box)
	108 (RHD)	
IL1	88 (LHD)	Front Door RH Wire and Instrument Panel Wire (Right Kick Panel)
	108 (RHD)	
BA1	90 (LHD S/D)	Rear Door No.2 Wire and Floor Wire (Under the Left Center Pillar)
	92 (LHD L/B)	
	94 (LHD W/G)	
	110 (RHD S/D)	
	112 (RHD L/B)	
	114 (RHD W/G)	
BB1	90 (LHD S/D)	Roof Wire and Roof No.2 Wire (Near the Personal Light)
	92 (LHD L/B)	
	94 (LHD W/G)	
	110 (RHD S/D)	
	112 (RHD L/B)	
	114 (RHD W/G)	
BC1	90 (LHD S/D)	Rear Door No.1 Wire and Floor No.2 Wire (Under the Right Center Pillar)
	92 (LHD L/B)	
	94 (LHD W/G)	
	110 (RHD S/D)	
	112 (RHD L/B)	
	114 (RHD W/G)	
BD1	92 (LHD L/B)	Back Door No.1 Wire and Floor Wire (Under the Left Quarter Pillar)
	112 (RHD L/B)	
BE1	92 (LHD L/B)	Back Door No.2 Wire and Back Door No.1 Wire (Back Door Upper Left)
	112 (RHD L/B)	
BF1	94 (LHD W/G)	Back Door No.1 Wire and Floor Wire (Under the Left Quarter Pillar)
	114 (RHD W/G)	
BG1	94 (LHD W/G)	Back Door No.1 Wire and Back Door No.2 Wire (Back Door Left)
	114 (RHD W/G)	

I GROUND POINT



: Ground Points

Code	See Page	Ground Points Location	
EA	78 (*3)	Engine Compartment Right	
	80 (*4)		
	82 (*5)		
	84 (*6)		
	98 (*7)		
	100 (*8)		
	102 (*9)		
	104 (*10)		
EB	78 (*3)		
	80 (*4)		
	82 (*5)		
	84 (*6)		
	98 (*7)		
	100 (*8)		
	102 (*9)		
	104 (*10)		
EC	78 (*3)	Engine Compartment Left	
	80 (*4)		
	82 (*5)		
	84 (*6)		
	98 (*7)		
	100 (*8)		
	102 (*9)		
	104 (*10)		
ED	78 (*3)	Left Side of the Suspension Tower	
	80 (*4)		
	82 (*5)		
	84 (*6)		
	98 (*7)		
	100 (*8)		
	102 (*9)		
	104 (*10)		
EE	78 (*3)	Intake Side of Cylinder Block	
	80 (*4)		
	98 (*7)		
	100 (*8)		
EF	78 (*3)	Left Side of the Cylinder Head	
	80 (*4)		
	98 (*7)		
	100 (*8)		
EG	82 (*5)		
	102 (*9)		
EH	82 (*5)		
	102 (*9)		
EI	84 (*6)		Near the Starter
	104 (*10)		
IJ	86 (LHD)	Left Kick Panel	
	106 (RHD)		
IK	86 (LHD)	Behind the Combination Meter	
	106 (RHD)		

* 1 : Gasoline * 2 : 1CD-FTV * 3 : LHD 1AZ-FSE * 4 : LHD 1AZ-FE * 5 : LHD 1ZZ-FE, 3ZZ-FE * 6 : LHD 1CD-FTV
 * 7 : RHD 1AZ-FSE * 8 : RHD 1AZ-FE * 9 : RHD 1ZZ-FE, 3ZZ-FE * 10 : RHD 1CD-FTV

 : Ground Points

Code	See Page	Ground Points Location
IL	86 (LHD)	Behind the Combination Meter
	106 (RHD)	
IM	86 (LHD)	
	106 (RHD)	
IN	86 (LHD)	Instrument Panel Reinforcement Center
	106 (RHD)	
IO	86 (LHD)	Instrument Panel Reinforcement RH
IP	86 (LHD)	Right Kick Panel
	106 (RHD)	
BQ	90 (LHD S/D)	Under the Left Center Pillar
	92 (LHD L/B)	
	94 (LHD W/G)	
	110 (RHD S/D)	
	112 (RHD L/B)	
	114 (RHD W/G)	
BR	90 (LHD S/D)	
	92 (LHD L/B)	
	94 (LHD W/G)	
	110 (RHD S/D)	
	112 (RHD L/B)	
	114 (RHD W/G)	
BS	90 (LHD S/D)	Lower Back Panel Left
	92 (LHD L/B)	
	94 (LHD W/G)	
	110 (RHD S/D)	
	112 (RHD L/B)	
	114 (RHD W/G)	
BT	90 (LHD S/D)	Lower Back Panel Center
	92 (LHD L/B)	Lower Back Panel Right
	94 (LHD W/G)	Lower Back Panel Center
	110 (RHD S/D)	Lower Back Panel Center
	112 (RHD L/B)	Lower Back Panel Right
	114 (RHD W/G)	Lower Back Panel Right
BU	90 (LHD S/D)	Under the Right Center Pillar
	92 (LHD L/B)	
	94 (LHD W/G)	
	110 (RHD S/D)	
	112 (RHD L/B)	
	114 (RHD W/G)	
BV	90 (LHD S/D)	
	92 (LHD L/B)	
	94 (LHD W/G)	
	110 (RHD S/D)	
	112 (RHD L/B)	
	114 (RHD W/G)	
BW	90 (LHD S/D)	Right Quarter Panel
	110 (RHD S/D)	
BX	92 (LHD L/B)	Right Side of the Back Door
	94 (LHD W/G)	
	112 (RHD L/B)	
	114 (RHD W/G)	

I GROUND POINT



: Splice Points

Code	See Page	Wire Harness with Splice Points	Code	See Page	Wire Harness with Splice Points	
E1	78 (*3)	Engine Room Main Wire	B1	94 (LHD W/G)	Front Door LH Wire	
	80 (*4)			110 (RHD S/D)		
	82 (*5)			112 (RHD L/B)		
	84 (*6)			114 (RHD W/G)		
	98 (*7)		B2	90 (LHD S/D)	Rear Door No.2 Wire	
	100 (*8)			92 (LHD L/B)		
	102 (*9)			94 (LHD W/G)		
	104 (*10)			110 (RHD S/D)		
E2	78 (*3)		Engine Wire	B5	112 (RHD L/B)	Roof Wire
	80 (*4)				114 (RHD W/G)	
	82 (*5)	90 (LHD S/D)				
	84 (*6)	92 (LHD L/B)				
	98 (*7)	B7		94 (LHD W/G)	Front Door RH Wire	
	100 (*8)			110 (RHD S/D)		
	102 (*9)			112 (RHD L/B)		
	104 (*10)			114 (RHD W/G)		
E3	78 (*3)	Engine Wire		B8	90 (LHD S/D)	Rear Door No.1 Wire
E4	78 (*3)				92 (LHD L/B)	
	80 (*4)		94 (LHD W/G)			
	82 (*5)		110 (RHD S/D)			
	98 (*7)		112 (RHD L/B)			
	100 (*8)		114 (RHD W/G)			
	102 (*9)		B8	90 (LHD S/D)	Rear Door No.1 Wire	
E5	78 (*3)			92 (LHD L/B)		
I3	88 (LHD)			94 (LHD W/G)		
	108 (RHD)			110 (RHD S/D)		
B1	90 (LHD S/D)	112 (RHD L/B)	Front Door LH Wire			
	92 (LHD L/B)	114 (RHD W/G)				

* 1 : Gasoline * 2 : 1CD-FTV * 3 : LHD 1AZ-FSE * 4 : LHD 1AZ-FE * 5 : LHD 1ZZ-FE, 3ZZ-FE * 6 : LHD 1CD-FTV
 * 7 : RHD 1AZ-FSE * 8 : RHD 1AZ-FE * 9 : RHD 1ZZ-FE, 3ZZ-FE * 10 : RHD 1CD-FTV

K CONNECTOR LIST

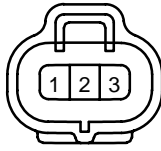
A 1
Gray



A 2
Black



A 3
Black



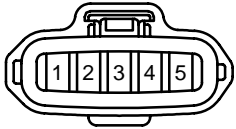
A 4



A 5



A 6
Black



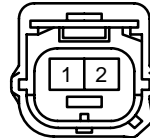
A 7
Gray



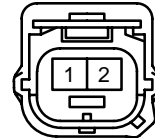
A 8
Gray



A 9
Yellow



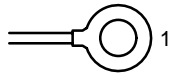
A 10
Yellow



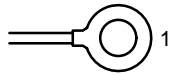
A 11
Black



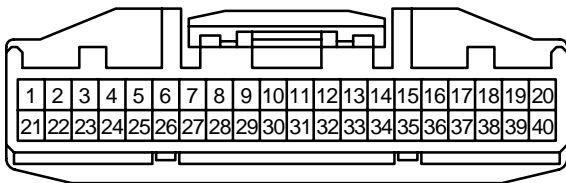
A 12
(Except 1CD-FTV)



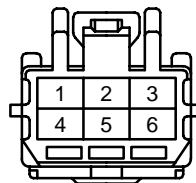
A 12
(1CD-FTV)



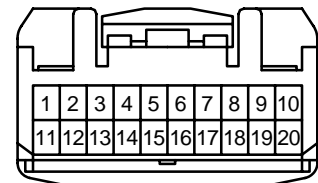
A 13



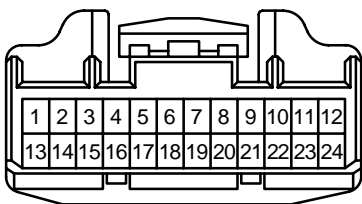
A 14



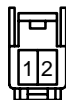
A 15



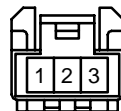
A 16



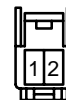
A 17
Black



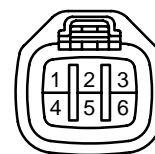
A 18
Black



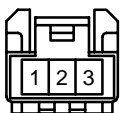
A 19



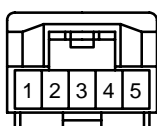
A 20
Black



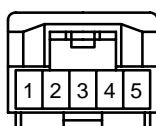
A 21
Black



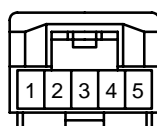
A 22
Black



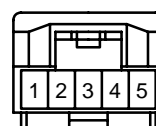
A 23
Black



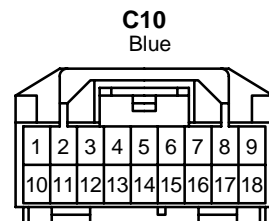
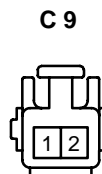
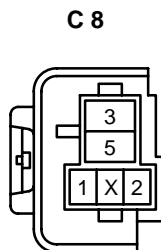
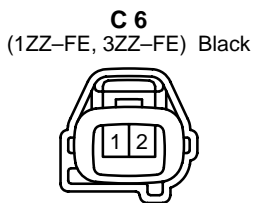
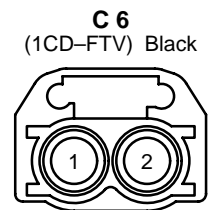
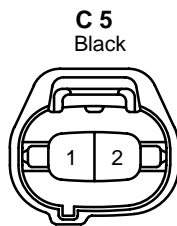
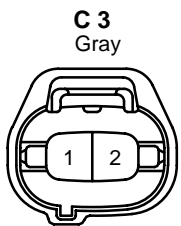
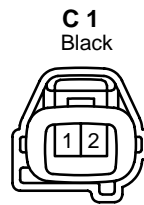
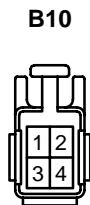
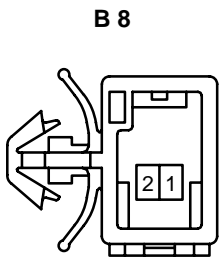
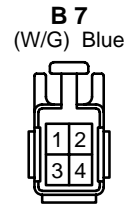
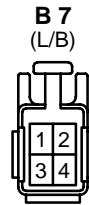
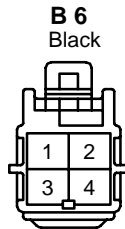
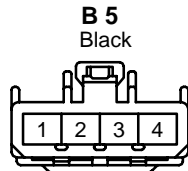
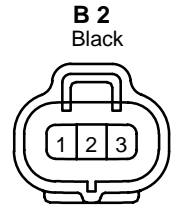
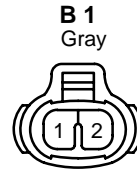
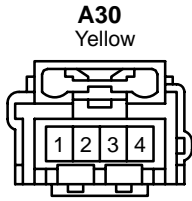
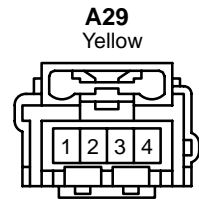
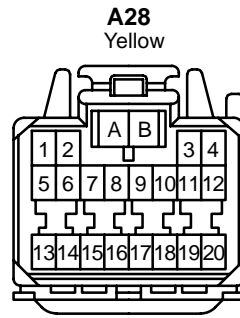
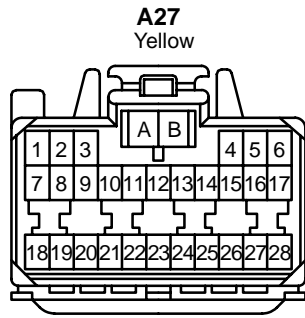
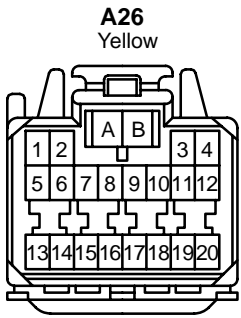
A 24
Black



A 25
Black

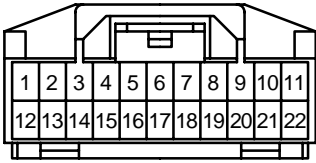


*1 : 1AZ-FSE, 1AZ-FE

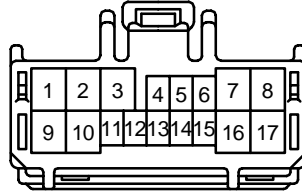


K CONNECTOR LIST

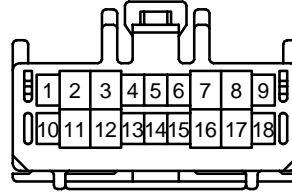
C11



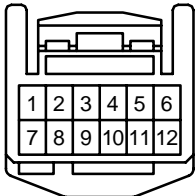
C12



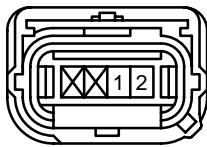
C13
Black



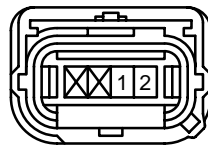
C14



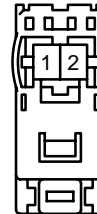
C15
Yellow



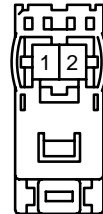
C16
Yellow



C17
Black



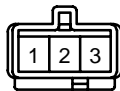
C18
Black



D 1
Black



D 2



D 3
Black



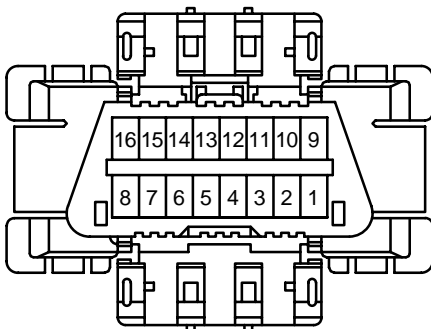
D 4
(Except 1CD-FTV)



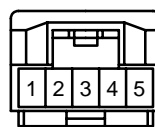
D 4
(1CD-FTV)



D 5



D 6



D 7



D 8



D 9



D10



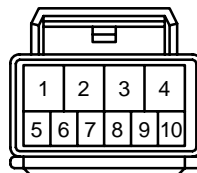
D11



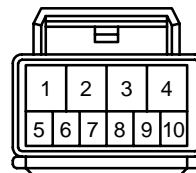
D12



D13



D14



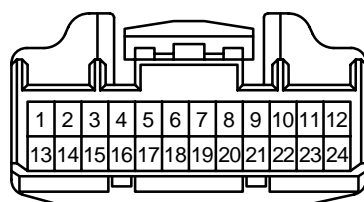
D15



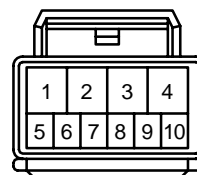
D16



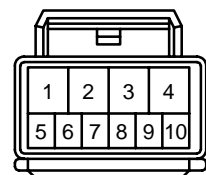
D17



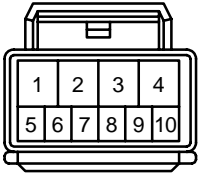
D18



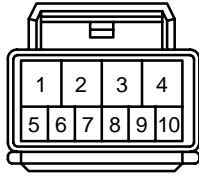
D19



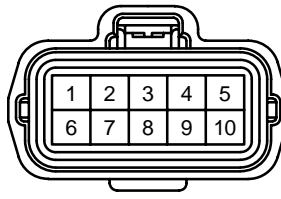
D20



D21



E 1
Gray



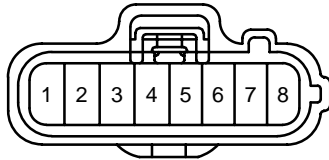
E 2
(Except 1AZ-FE) Gray (1AZ-FE) Gray



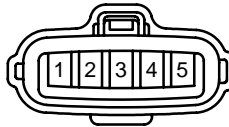
E 3
Black



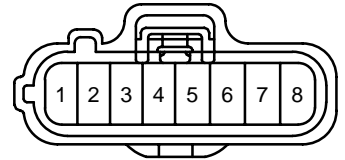
E 4
Black



E 5
(1AZ-FSE) Black



E 5
(1CD-FTV) Dark Gray



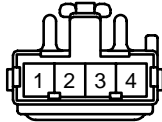
E 6
Black



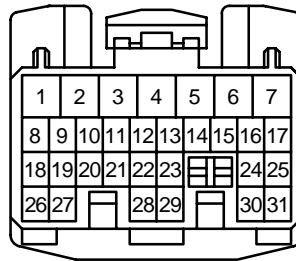
E 7
Gray



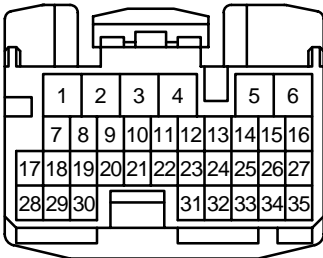
E 8
Black



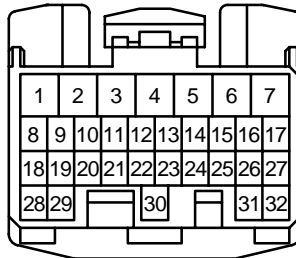
E 9



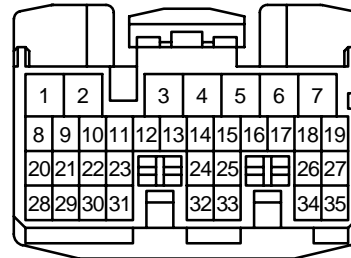
E 10



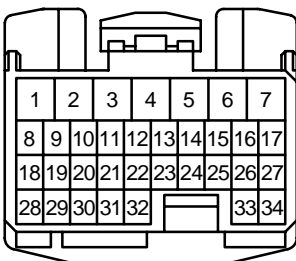
E 11



E 12



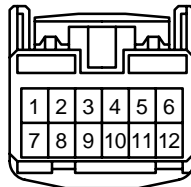
E 13



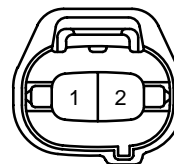
E 14
Gray



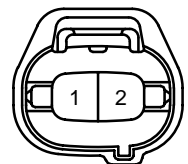
E 15



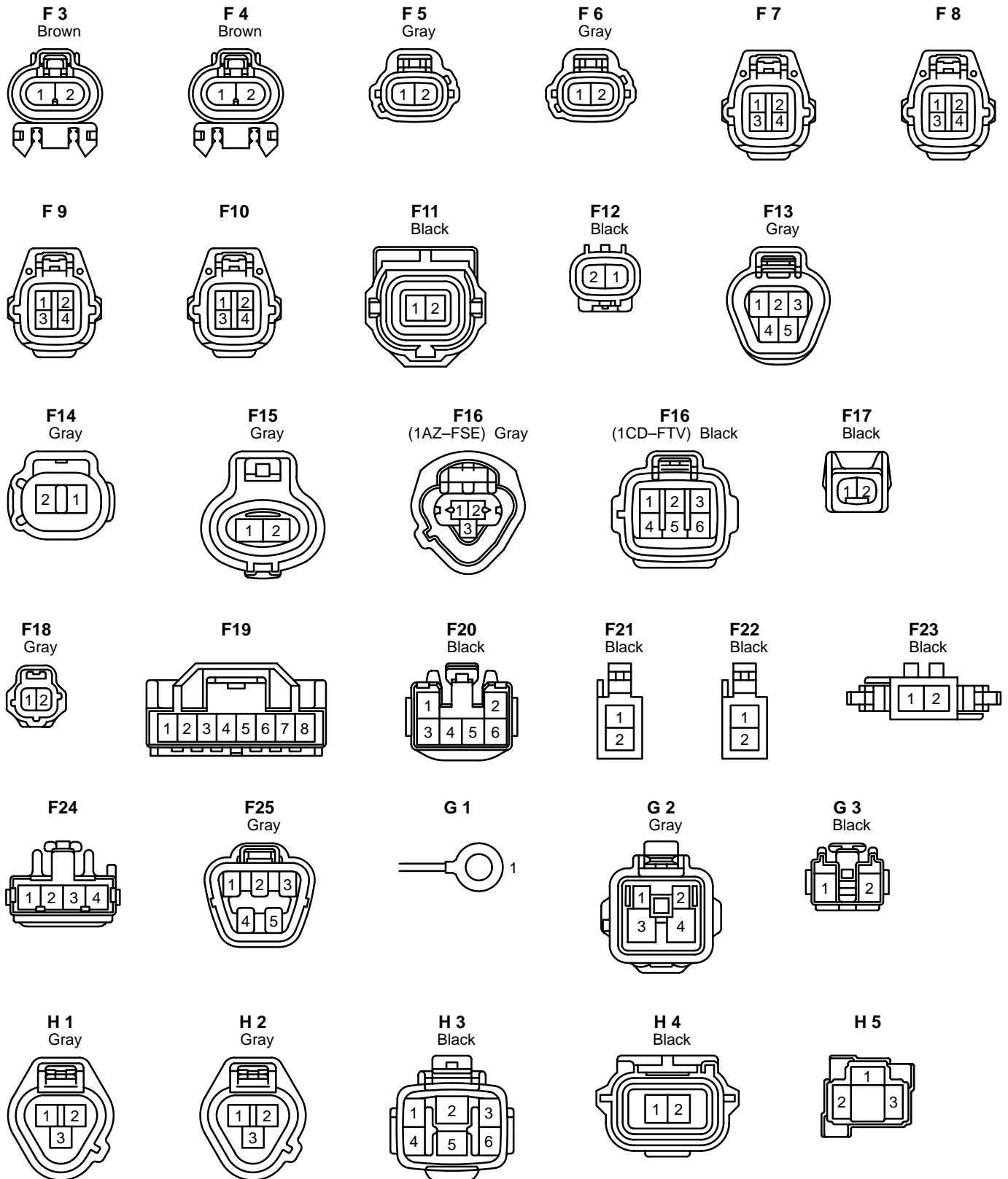
F 1
Black

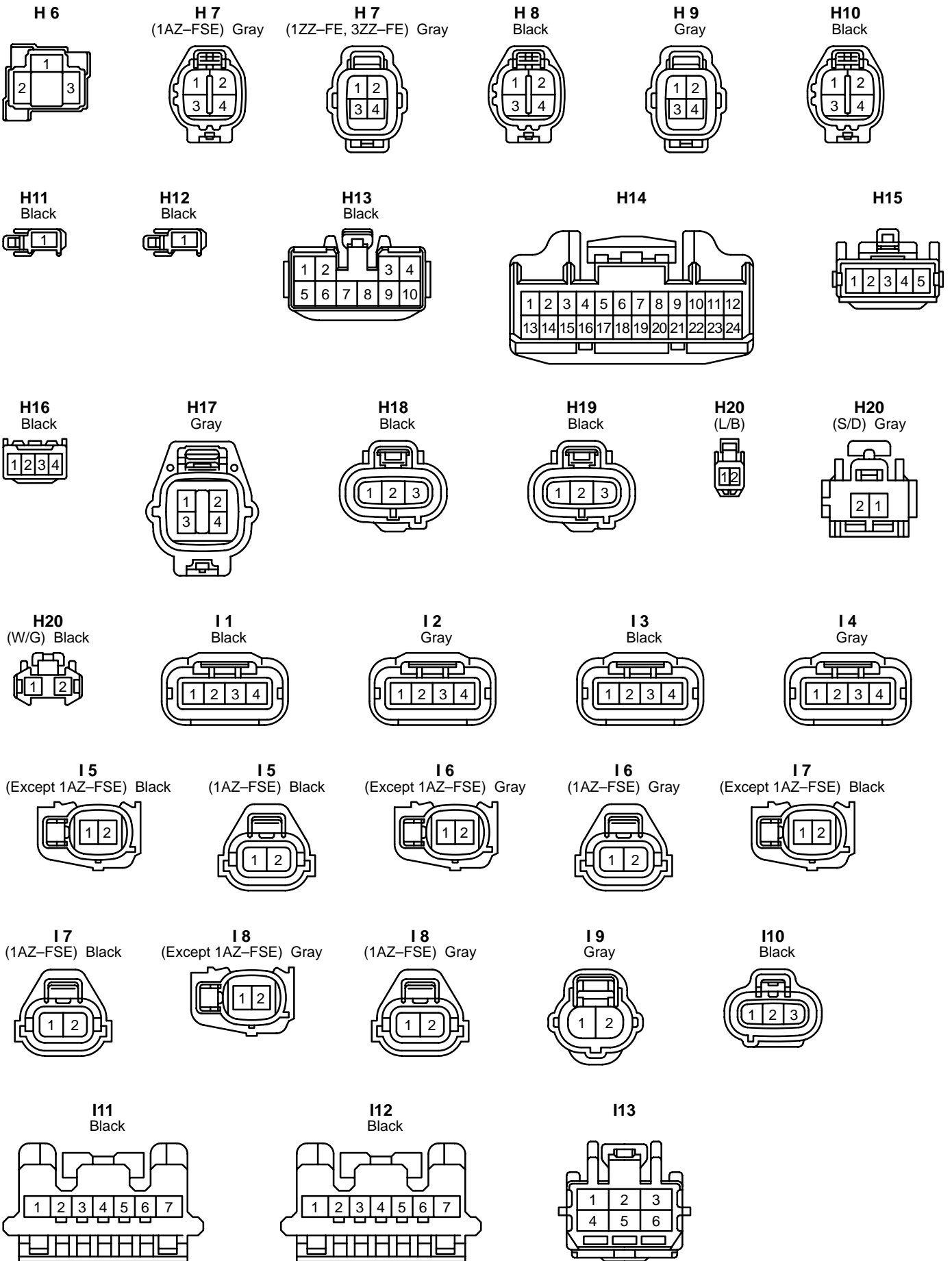


F 2
Black



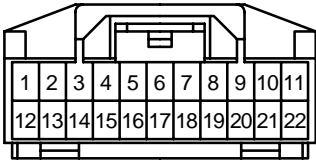
K CONNECTOR LIST



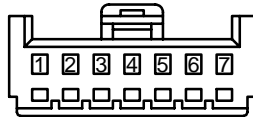


K CONNECTOR LIST

I14



I15
Black



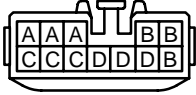
I16



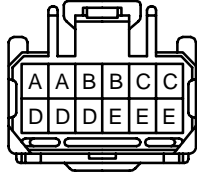
J 1
Gray



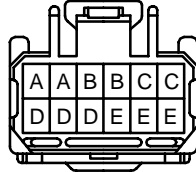
J 2
Black



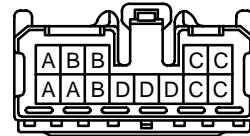
J 3



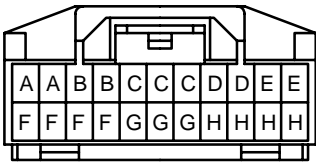
J 4



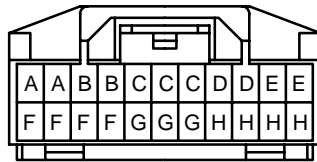
J 5



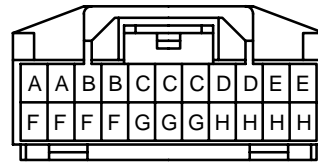
J 6



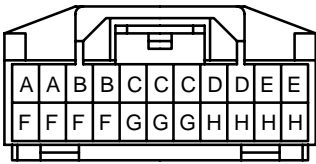
J 7



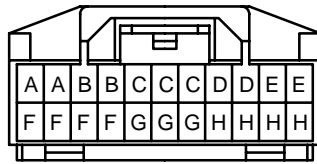
J 8
Black



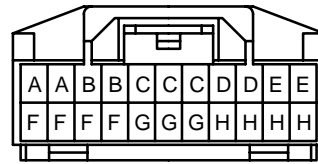
J 9
Black



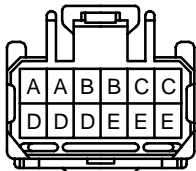
J10
Gray



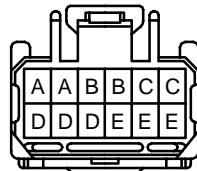
J11
Gray



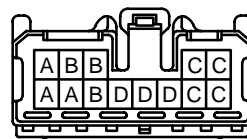
J12



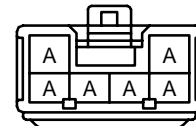
J13



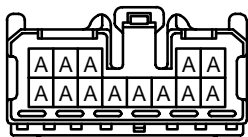
J14



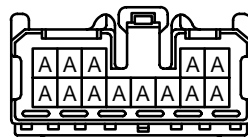
J15



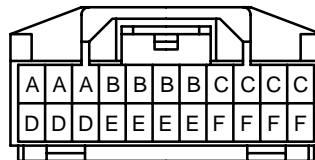
J16



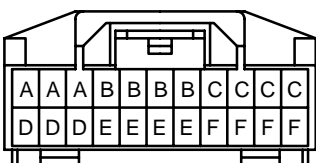
J17



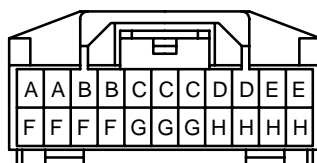
J18



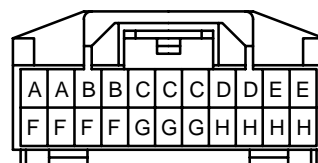
J19



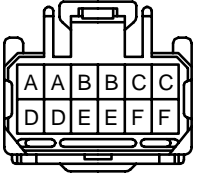
J20



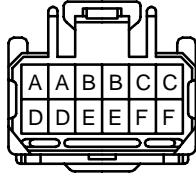
J21



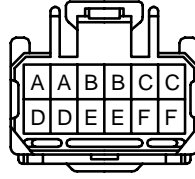
J22



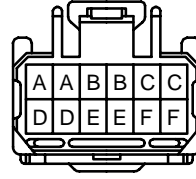
J23



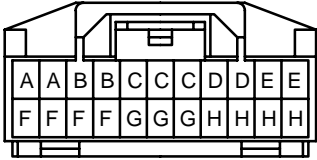
J24



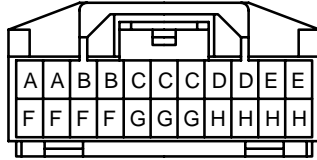
J25



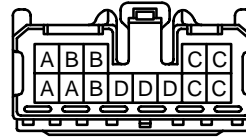
J26



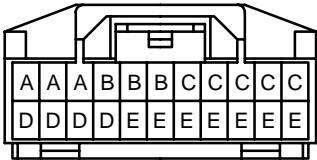
J27



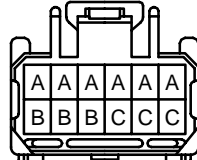
J28



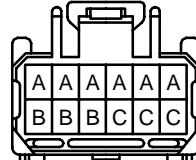
J29



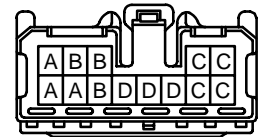
J30



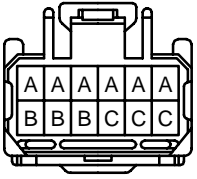
J31



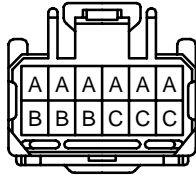
J32



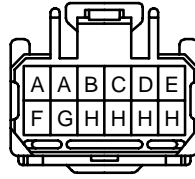
J33



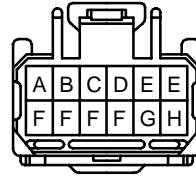
J34



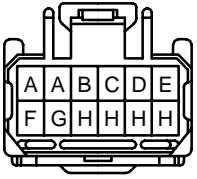
J35



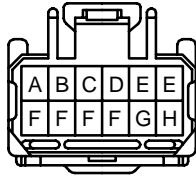
J36



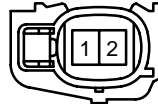
J37



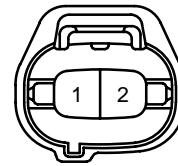
J38



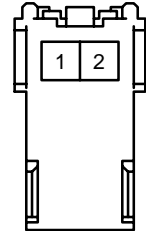
K 1
Black



K 2
Black



K 3
Yellow



L 1
Black



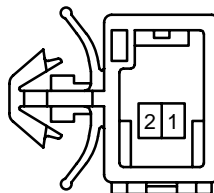
L 2
Black



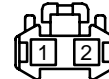
L 3
Black



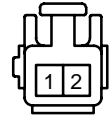
L 4



L 5



L 6



K CONNECTOR LIST

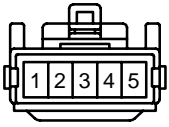
*2 : w/ Navigation System (Map Type)

*4 : Power Heater (Combustion Type)

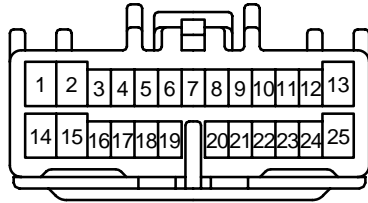
*3 : w/o Navigation System (Map Type)

*5 : Power Heater (Hot Gas Type)

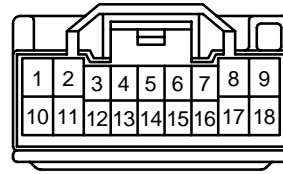
L 7



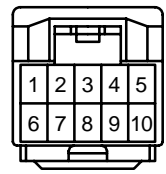
M 1
(*2)



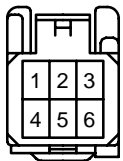
M 1
(*3)



M 2
(*2)



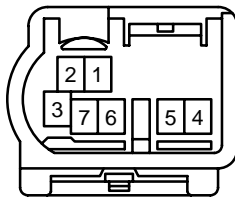
M 2
(*3)



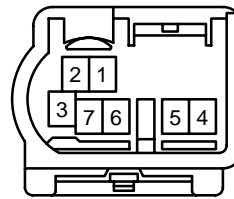
M 3



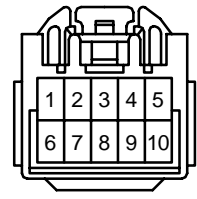
M 4



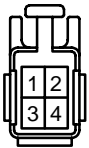
M 5



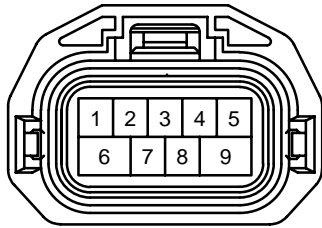
M 6
Gray



M 7



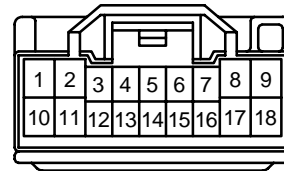
N 1
Gray



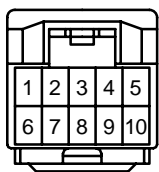
N 2
Gray



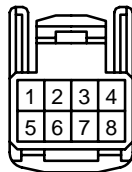
N 3



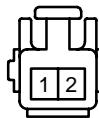
N 4



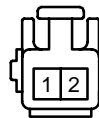
N 5



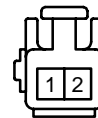
N 6



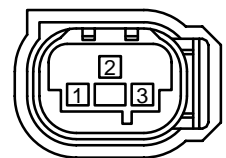
N 7



N 8



O 1
Black



O 2
Gray



P 1
Black



P 2
Black



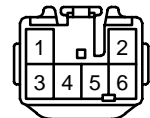
P 3
Gray



P 4
Black



P 5
(*4) Gray



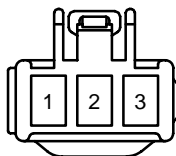
P 5
(*5)



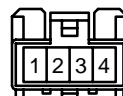
P 6
Black



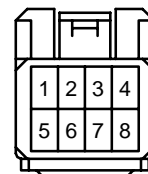
P 7



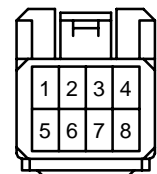
P 8



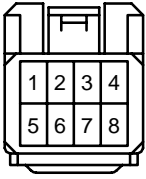
P 9



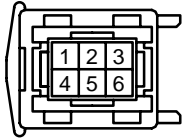
P 10



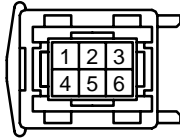
P11



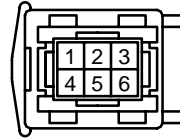
P12
Gray



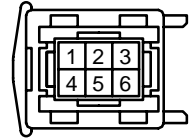
P13
Gray



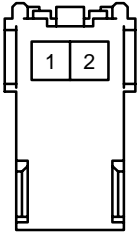
P14
Gray



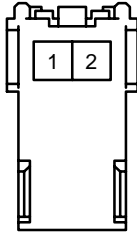
P15
Gray



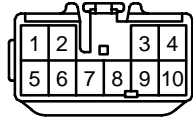
P16
Yellow



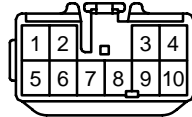
P17
Yellow



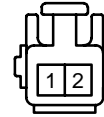
P18
Black



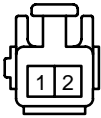
P19
Black



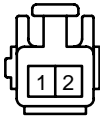
P20



P21
Black



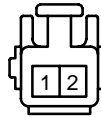
P22



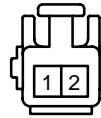
P23
Blue



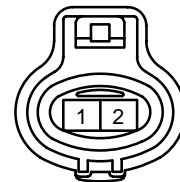
P24



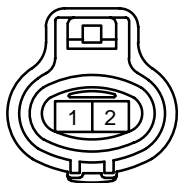
P25
Blue



R 1
Gray



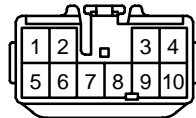
R 2
Black



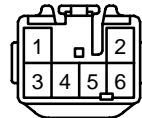
R 3
Red



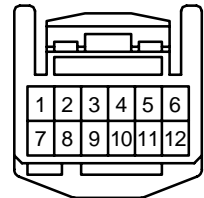
R 4



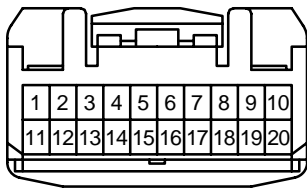
R 5



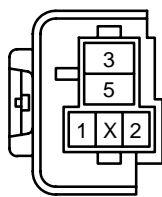
R 6



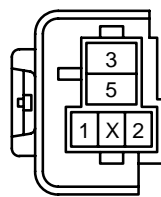
R 7



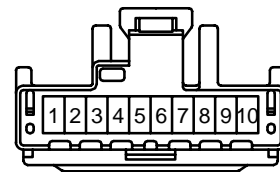
R 8



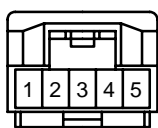
R 9



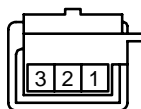
R 10



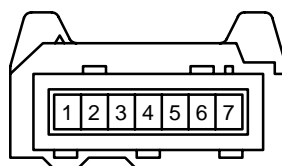
R 11



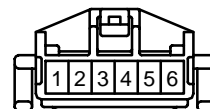
R 12
Black



R 13
(Except W/G) Black

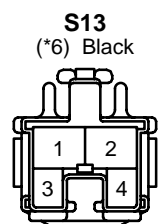
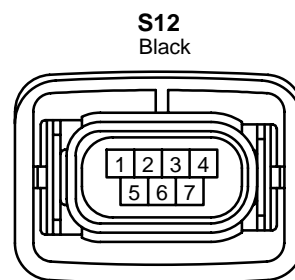
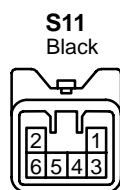
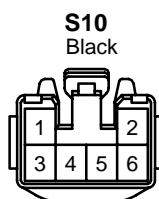
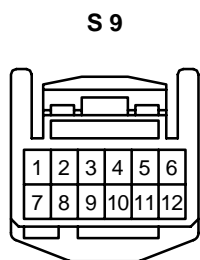
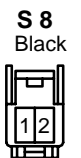
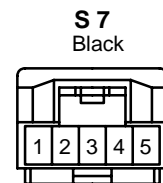
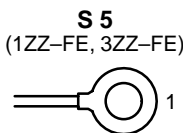
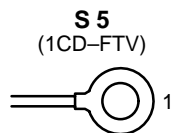
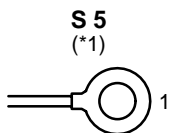
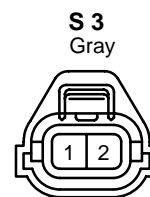
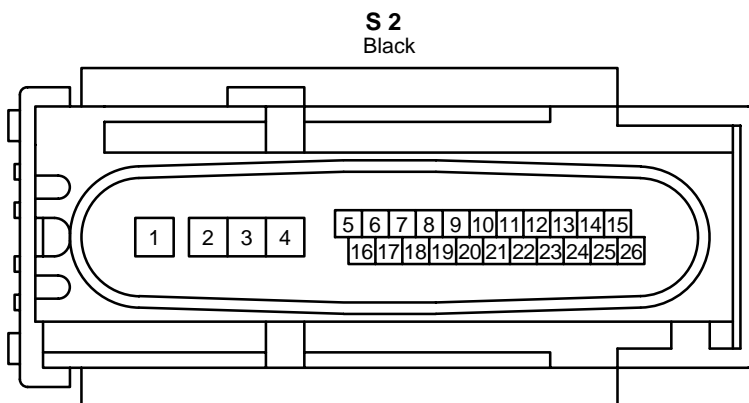
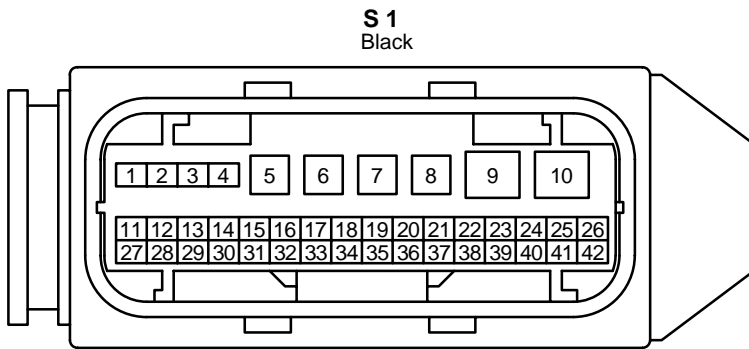
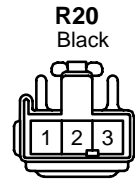
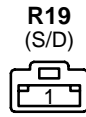
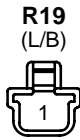
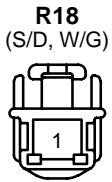
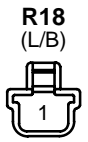
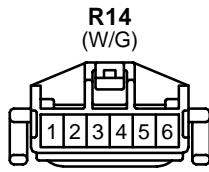
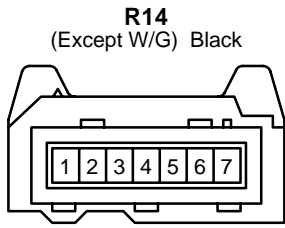


R 13
(W/G)

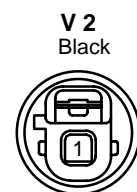
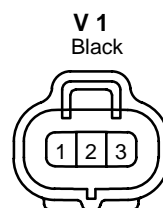
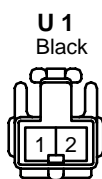
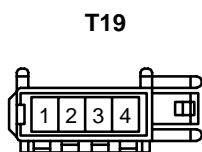
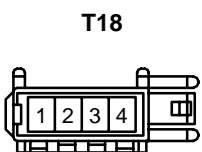
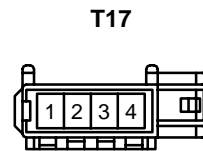
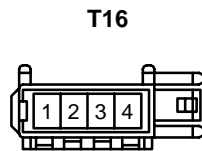
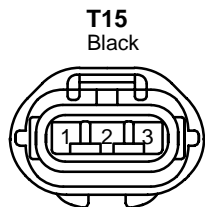
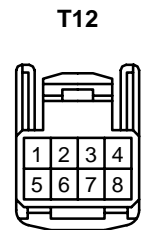
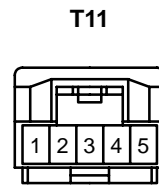
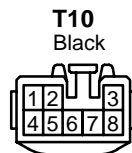
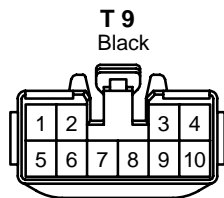
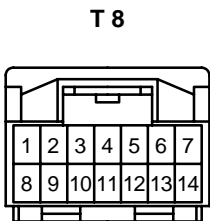
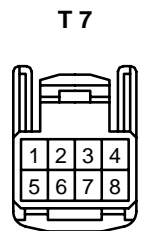
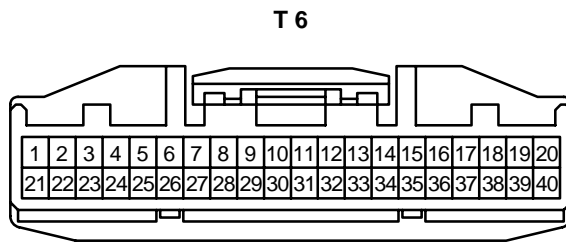
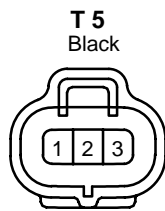
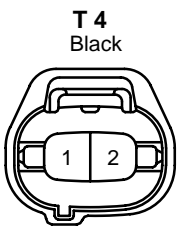
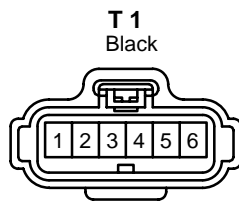
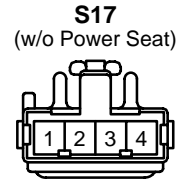
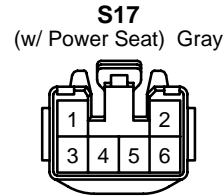
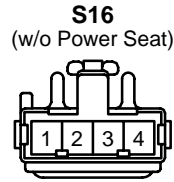
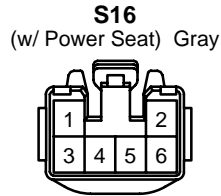
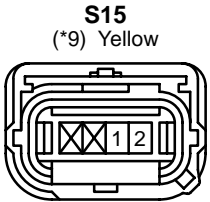
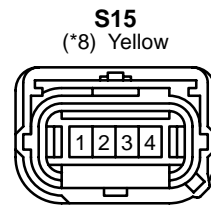
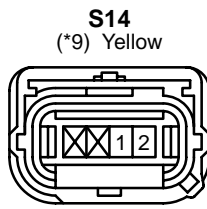
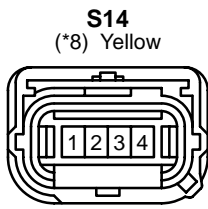
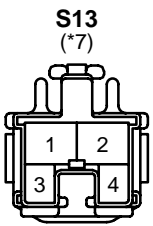


K CONNECTOR LIST

*1 : 1AZ-FSE, 1AZ-FE
 *6 : 1AZ-FE, 1ZZ-FE, 3ZZ-FE



*7 : 1AZ-FSE, 1CD-FTV
 *8 : w/ Curtain Shield Airbag
 *9 : w/o Curtain Shield Airbag



K CONNECTOR LIST

V 3
Black



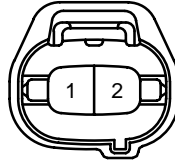
V 4
Black



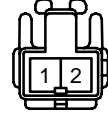
V 5
Blue



V 6
Brown



V 7
Black



V 8



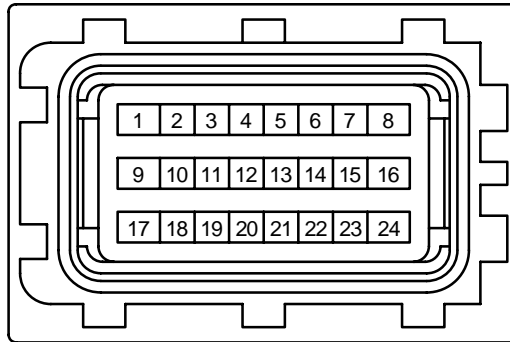
V 9



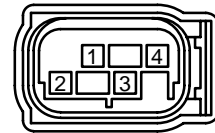
W 1



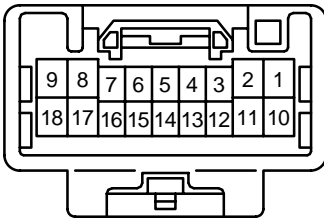
W 2
Black



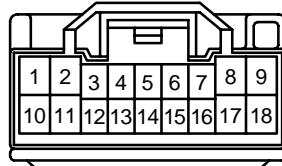
Y 1
Black



Z 1



Z 2



L PART NUMBER OF CONNECTORS

Code	Part Name	Part Number	Code	Part Name	Part Number
A 1	A/C Ambient Temp. Sensor	90980-11030	B10	Buckle SW (Front Passenger's Side)	90980-10795
A 2	A/C Condenser Fan Motor	90980-10928		Occupant Detection Sensor	
A 3	A/C Pressure Sensor	90980-10845	C 1	Camshaft Position Sensor	90980-10947
A 4	ABS Speed Sensor Front LH	90980-11003	C 2	Camshaft Timing Oil Control Valve	90980-11162
A 5	ABS Speed Sensor Front RH				
A 6	Air Flow Meter	90980-11317	C 3	Compressor Assembly	90980-11156
A 7	Air Fuel Ratio Sensor (Bank 1 Sensor 1)	90980-11178	C 4	Condenser Assembly	90980-11003
A 8	Air Fuel Ratio Sensor (Bank 2 Sensor 1)	90980-10869	C 5	Counter Gear Speed Sensor	90980-11156
A 9	Airbag Sensor Front LH	90980-11856	C 6	Crankshaft Position Sensor (1AZ-FSE, 1AZ-FE)	90980-10947
A10	Airbag Sensor Front RH				
A11	Alternator	90980-11964		Crankshaft Position Sensor (1CD-FTV)	90980-12028
A12	Alternator (Except 1CD-FTV)	90980-09212	C 7	Cigarette Lighter	90980-10795
	Alternator (1CD-FTV)	90980-09213		Cigarette Lighter Illumination	
A13	A/C Control Assembly	90980-12169	C 8	Circuit Opening Relay	82660-05020
A14	A/C Control Assembly	90980-11778	C 9	Clutch Start SW	90980-10825
A15	A/C Control Assembly	90980-12259	C10	Combination Meter	90980-11913
A16	A/C Control Assembly	90980-12200	C11	Combination Meter	90980-11915
A17	A/C Room Temp. Sensor	90980-11918	C12	Combination SW	90980-11672
A18	A/C Solar Sensor	90980-11987	C13	Combination SW	90980-11594
A19	A/C Thermistor	90980-11918	C14	Combination SW	90980-12183
A20	Accel Position Sensor	90980-11144	C15	Curtain Shield Airbag Sensor LH	90980-12352
A21	Air Inlet Control Servo Motor	90980-11987	C16	Curtain Shield Airbag Sensor RH	
A22	Air Mix Control Servo Motor	90980-11909	C17	Curtain Shield Airbag Squib LH	90980-12219
A23	Air Mix Control Servo Motor (Driver Side)				
A24	Air Mix Control Servo Motor (Front Passenger Side)				
A25	Air Vent Mode Control Servo Motor				
A26	Airbag Sensor Assembly	82824-50160	C18	Curtain Shield Airbag Squib RH	
A27	Airbag Sensor Assembly	90980-11872	D 1	Diesel Throttle Control Motor	90980-11144
A28	Airbag Sensor Assembly	82824-50150	D 2	Diode	90980-11071
A29	Airbag Squib (Front Passenger Airbag Assembly)	90980-12160	D 3	Diode	90980-10962
	A30		Airbag Squib (Steering Wheel Pad)		
A31	Antenna Amplifier	90980-10870	D 4	Diode (Fan) (Except 1CD-FTV)	90980-11608
A32	ABS Speed Sensor Rear LH	90980-11060		Diode (Fan) (1CD-FTV)	90980-11071
A33	ABS Speed Sensor Rear RH				
B 1	Back-Up Light SW	90980-10576	D 5	DLC3	90980-11665
B 2	Brake Booster Pressure Sensor	90980-10845	D 6	Door Control Receiver	90980-11909
B 3	Brake Fluid Level Warning SW	90080-98001	D 7	Door Courtesy Light LH	90980-11148
B 4	Blower Motor	90980-10214	D 8	Door Courtesy Light RH	
B 5	Blower Motor Controller	90980-11676	D 9	Door Courtesy SW Front LH	90980-10871
B 6	Blower Resistor	90980-11136	D10	Door Courtesy SW Front RH	
B 7	Back Door Courtesy SW	90980-10795	D11	Door Courtesy SW Rear LH	
	Back Door Lock Motor				
B 8	Back Door Opener SW	90980-11967	D12	Door Courtesy SW Rear RH	
B 9	Buckle SW (Driver's Side)	90980-10942	D13	Door Key Lock and Unlock SW (Driver's Side)	90980-12226
				Door Lock Control Motor (Driver's Side)	
				Door Unlock Detection SW (Driver's Side)	

Note: Not all of the above part numbers of the connector are established for the supply.

Code	Part Name	Part Number	Code	Part Name	Part Number
D14	Door Key Lock and Unlock SW (Driver's Side)	90980-12226	E14	EPS ECU	90980-12300
	Door Lock Control Motor (Driver's Side)		E15	EPS ECU	90980-12290
	Door Unlock Detection SW (Driver's Side)		F 1	Front Clearance Light LH	90980-11149
	Double Lock Motor (Driver's Side)		F 2	Front Clearance Light RH	
	Double Lock Position SW (Driver's Side)		F 3	Front Fog Light LH	90980-11660
D15	Door Lock Control Motor (Front Passenger's Side)		F 4	Front Fog Light RH	
	Door Lock Control Motor (Front Passenger's Side)		F 5	Front Side Turn Signal Light LH	90980-11162
D16	Door Unlock Detection SW (Front Passenger's Side)		F 6	Front Side Turn Signal Light RH	
	Double Lock Motor (Front Passenger's Side)		F 7	Front Turn Signal Light LH	90980-10942
	Double Lock Position SW (Front Passenger's Side)			Headlight Control ECU LH	
	D17		Door Lock Control SW	F 8	
Power Window Master SW			Headlight LH (Low)		
D18	Door Lock Motor Rear LH		F 9	Front Turn Signal Light RH	
	Door Lock Motor Rear LH			Headlight Control ECU RH	
D19	Door Unlock Detection SW Rear LH		F 10	Front Turn Signal Light RH	
	Double Lock Motor Rear LH	Headlight RH (Low)			
	Double Lock Position SW Rear LH	F11	Front Washer Motor	90080-98117	
	D20	Door Lock Motor Rear RH	F12	Front Window Deicer	90980-11155
Door Lock Motor Rear RH		F13	Front Wiper Motor	90980-11599	
Door Unlock Detection SW Rear RH		F14	Fuel Filter Warning SW	90980-11002	
Double Lock Motor Rear RH		F15	Fuel Heater	90980-10928	
D21	Double Lock Position SW Rear RH	F16	Fuel Pressure Sensor (1AZ-FSE)	90980-11451	
	Door Lock Motor Rear RH		Fuel Pressure Sensor (1CD-FTV)	90980-11194	
	Door Unlock Detection SW Rear RH	F17	Fuel Pump	90080-98001	
	Double Lock Motor Rear RH	F18	Fuel Temp. Sensor	90980-10737	
E 1	ECT Solenoid	90980-11658	F19	Front Passenger's Seat Belt Warning Light	90980-11989
	EFI Water Temp. Sensor (Except 1AZ-FE)			Rear Window Defogger SW	
	EFI Water Temp. Sensor (1AZ-FE)			Security Indicator Light	
E 2	ECT Pattern Select SW	90980-11013	F20	Front Wiper Deicer SW	90980-10797
	Engine and ECT ECU (A/T)		90980-12142	F21	Front Door Speaker LH
Engine ECU (M/T)	F22	Front Door Speaker RH			
E 3	Engine and ECT ECU (A/T)	90980-12146	F23	Fuel Lid Opener Motor	90080-98313
	Engine ECU (M/T)		F24	Fuel Lid Opener SW	90980-11013
E 4	Electronic Driver Unit (1AZ-FSE)	90980-11592	F25	Fuel Pump	90980-11077
	Electronic Driver Unit (1CD-FTV)			Fuel Sender	
E 5	Engine Hood Courtesy SW	90980-10554	G 1	Glow Plug	99141-13006
E 6	Engine Oil Level Sensor	90980-11235	G 2	Glow Plug Relay	90980-11569
	ECT Pattern Select SW		G 3	Glove Box Light	90980-11098
E 7	Engine and ECT ECU (A/T)	90980-12143	H 1	Headlight Beam Level Control Actuator LH	90980-11016
	Engine ECU (M/T)		H 2	Headlight Beam Level Control Actuator RH	
E 8	Engine and ECT ECU (A/T)	90980-12145	H 3	Headlight Cleaner Control Relay	90980-10939
	Engine ECU (M/T)		H 4	Headlight Cleaner Motor	90080-98116
E 9	Engine and ECT ECU (A/T)	90980-12144	H 5	Headlight LH (High)	90980-11314
	Engine ECU (M/T)		H 6	Headlight RH (High)	
E 10	Engine and ECT ECU (A/T)	90980-12144			
	Engine ECU (M/T)				

L PART NUMBER OF CONNECTORS

Code	Part Name	Part Number	Code	Part Name	Part Number
H 7	Heated Oxygen Sensor (Bank 1 Sensor 1) (1AZ-FSE)	90980-11028	J 8	Junction Connector	90980-11915
	Heated Oxygen Sensor (Bank 1 Sensor 1) (1ZZ-FE, 3ZZ-FE)	90980-10869	J 9	Junction Connector	
H 8	Heated Oxygen Sensor (Bank 1 Sensor 2)	90980-11028	J10	Junction Connector	
H 9	Heated Oxygen Sensor (Bank 2 Sensor 1)	90980-10869	J11	Junction Connector	
H10	Heated Oxygen Sensor (Bank 2 Sensor 2)	90980-11028	J12	Junction Connector	90980-11661
H11	Horn LH	90980-10619	J13	Junction Connector	
H12	Horn RH		J14	Junction Connector	90980-11542
H13	Hazard SW	90980-10801	J15	Junction Connector	90980-10976
H14	Headlight Beam Level Control ECU	90980-12200	J16	Junction Connector	90980-11542
H15	Headlight Beam Level Control SW	90980-10789	J17	Junction Connector	
H16	Headlight Cleaner SW	90980-10601	J18	Junction Connector	90980-11915
H17	Heated Oxygen Sensor (Bank 1 Sensor 2)	90980-11930	J19	Junction Connector	
H18	Height Control Sensor (Front)	90980-11860	J20	Junction Connector	
H19	Height Control Sensor (Rear)		J21	Junction Connector	
H20	High Mounted Stop Light (L/B)	90980-10320	J22	Junction Connector	90980-11661
	High Mounted Stop Light (S/D)	90980-WB002	J23	Junction Connector	
	High Mounted Stop Light (W/G)	90980-11148	J24	Junction Connector	
I 1	Ignition Coil and Igniter No.1	90980-11885	J25	Junction Connector	90980-11915
I 2	Ignition Coil and Igniter No.2		J26	Junction Connector	
I 3	Ignition Coil and Igniter No.3		J27	Junction Connector	90980-11542
I 4	Ignition Coil and Igniter No.4		J28	Junction Connector	90980-11915
I 5	Injector No.1 (Except 1AZ-FSE)	90980-11875	J29	Junction Connector	90980-11661
	Injector No.1 (1AZ-FSE)	90980-12117	J30	Junction Connector	
I 6	Injector No.2 (Except 1AZ-FSE)	90980-11875	J31	Junction Connector	90980-11542
	Injector No.2 (1AZ-FSE)	90980-12117	J32	Junction Connector	
I 7	Injector No.3 (Except 1AZ-FSE)	90980-11875	J33	Junction Connector	90980-11661
	Injector No.3 (1AZ-FSE)	90980-12117	J34	Junction Connector	
I 8	Injector No.4 (Except 1AZ-FSE)	90980-11875	J35	Junction Connector	
	Injector No.4 (1AZ-FSE)	90980-12117	J36	Junction Connector	
I 9	Intake Air Temp. Sensor	90980-11025	J37	Junction Connector	
I10	ISC Valve	90980-11145	J38	Junction Connector	
I11	Ignition Key Cylinder Light	90980-12092	K 1	Knock Sensor	90980-11875
I12	Ignition Key Cylinder Light		K 2	Kick Down SW	90980-11156
	Transponder Key Amplifier	K 3	Knee Airbag Squib	90980-12253	
I13	Ignition SW	90980-11778	L 1	License Plate Light LH	90080-98001
I14	Integration Relay	90980-11915	L 2	License Plate Light RH	
I15	Inner Mirror	90980-11794	L 3	Luggage Compartment Door Lock Motor	90980-10908
I16	Interior Light	90980-11950		Luggage Compartment Light SW	
J 1	Junction Connector	90980-10803	L 4	Luggage Compartment Door Opener SW	90980-11967
J 2	Junction Connector		L 5	Luggage Compartment Light	90980-11148
J 3	Junction Connector	90980-11661	L 6	Lumbar Support Control Motor	90980-10825
J 4	Junction Connector		L 7	Lumbar Support Control SW	90980-10789
J 5	Junction Connector	90980-11542	M 1	Multi-Display (w/ Navigation System (Map Type))	90980-11877
J 6	Junction Connector	90980-11915		Multi-Display (w/o Navigation System (Map Type))	90980-11973
J 7	Junction Connector				

Note: Not all of the above part numbers of the connector are established for the supply.

Code	Part Name	Part Number	Code	Part Name	Part Number
M 2	Multi-Display (w/ Navigation System (Map Type))	90980-11923	P23	Power Seat Motor (Driver's Seat Slide Control)	90980-10825
	Multi-Display (w/o Navigation System (Map Type))	90980-12209	P24	Power Seat Motor (Front Passenger's Seat Reclining Control)	
M 3	Multi-Display	90980-10871	P25	Power Seat Motor (Front Passenger's Seat Slide Control)	
M 4	Mirror Heater LH	90980-12059	R 1	Radiator Fan Motor	90980-10928
	Remote Control Mirror LH		R 2	Radiator Fan Resistor	
M 5	Mirror Heater RH		R 3	Rear Washer Motor	90080-98117
	Remote Control Mirror RH		R 4	Radio and Player	90980-10997
M 6	Moon Roof Control Relay and Motor	82824-05030	R 5	Radio and Player	90980-10996
M 7	Moon Roof Control SW	90980-10795	R 6	Radio and Player	90980-12183
N 1	Neutral Start SW	90980-11784	R 7	Radio and Player	90980-12259
N 2	Noise Filter (Ignition)	90980-10843	R 8	Rear Fog Light Relay	82660-05010
N 3	Navigation ECU	90980-11973	R 9	Rear Window Defogger Relay	82660-05020
N 4	Navigation ECU	90980-11923	R10	Remote Control Mirror SW	90980-11657
N 5	Navigation ECU	90980-12221	R11	Remote Controller (Navigation)	90980-11909
N 6	Noise Filter (Rear Window Defogger No.1)	90980-10825	R12	Rain Sensor	90080-98309
N 7	Noise Filter (Rear Window Defogger No.2)		R13	Rear Combination Light LH (Except W/G)	90080-98175
N 8	Noise Filter (Stop Light)			Rear Combination Light LH (W/G)	90980-10964
O 1	Oil Pressure Sensor	90080-98200	R14	Rear Combination Light RH (Except W/G)	90080-98175
O 2	Oil Pressure SW	90980-11363		Rear Combination Light RH (W/G)	90980-10964
P 1	Power Heater Assembly	90980-10897	R15	Rear Door Speaker LH	90080-98157
P 2	Power Steering Oil Pressure SW	90980-11428	R16	Rear Door Speaker RH	
P 3	Pressure Discharge Valve	90980-11285	R17	Rear Interior Light	90980-11148
P 4	Parking Brake SW	90980-10871	R18	Rear Window Defogger (L/B)	90980-11258
P 5	Power Heater SW	90980-10996		Rear Window Defogger (S/D, W/G)	90980-11259
P 6	Power Outlet	90080-98182	R19	Rear Window Defogger (L/B)	90980-11258
P 7	PTC Heater	90980-11685		Rear Window Defogger (S/D)	90980-10786
P 8	Personal Light	90980-11950		Rear Window Defogger (W/G)	90980-11259
P 9	Power Window Control SW (Front Passenger Side)	90980-12113	R20	Rear Wiper Motor and Relay	90980-10908
P10	Power Window Control SW Rear LH		S 1	Skid Control ECU with Actuator	90080-98278
P11	Power Window Control SW Rear RH		S 2	Skid Control ECU with Actuator	90980-WB001
P12	Power Window Motor Front LH	90080-98276	S 3	Spill Valve	90980-12117
P13	Power Window Motor Front RH		S 4	Starter	90980-11400
P14	Power Window Motor Rear LH		S 5	Starter (1AZ-FSE, 1AZ-FE)	90980-09506
P15	Power Window Motor Rear RH			Starter (1CD-FTV)	90980-09507
P16	Pretensioner LH	Starter (1ZZ-FE, 3ZZ-FE)		90980-09463	
P17	Pretensioner RH	90980-12253	S 6	Suction Control Valve	90980-11285
P18	Power Seat Control SW (Driver's Seat)	90980-10997	S 7	Seat Heater SW	90980-11909
P19	Power Seat Control SW (Front Passenger's Seat)		S 8	Seat Heater SW	90980-11918
P20	Power Seat Motor (Driver's Seat Front Vertical Control)		S 9	Shift Lock Control ECU	90980-12183
P21	Power Seat Motor (Driver's Seat Lifter Control)	90980-10825	S10	Short Connector	90980-10797
P22	Power Seat Motor (Driver's Seat Reclining Control)		S11	Short Connector	90980-10796
			S12	Steering Sensor	90080-98241
			S13	Stop Light SW	90980-11118

L PART NUMBER OF CONNECTORS

Code	Part Name	Part Number	Code	Part Name	Part Number
S14	Side Airbag Sensor LH (w/ Curtain Shield Airbag)	90980-12225			
	Side Airbag Sensor LH (w/o Curtain Shield Airbag)	90980-12352			
S15	Side Airbag Sensor RH (w/ Curtain Shield Airbag)	90980-12225			
	Side Airbag Sensor RH (w/o Curtain Shield Airbag)	90980-12352			
S16	Seat Heater LH (w/ Power Seat)	90980-10797			
	Seat Heater LH (w/o Power Seat)	90980-11090			
S17	Seat Heater RH (w/ Power Seat)	90980-10797			
	Seat Heater RH (w/o Power Seat)	90980-11090			
S18	Side Airbag Squib LH	90980-11864			
S19	Side Airbag Squib RH				
T 1	Throttle Control Motor and Position Sensor	90980-11858			
T 2	Throttle Position Sensor	90980-11261			
T 3	Throttle Position SW	90980-11038			
T 4	Turbine Speed Sensor	90980-11156			
T 5	Turbo Pressure Sensor	90980-10845			
T 6	Theft Deterrent ECU	90980-12169			
T 7	Transmission Control SW	90980-12221			
T 8	Transponder Key Computer	90980-11911			
T 9	TRC Off SW	90980-10801			
T10	Turn Signal Flasher Relay	90980-10799			
T11	Telephone Microphone Amplifier	90980-11909			
T12	Theft Warning Ultrasonic Sensor	90980-12221			
T13	Theft Warning Ultrasonic Sensor Rear LH	90980-11918			
T14	Theft Warning Ultrasonic Sensor Rear RH				
T15	Theft Warning Siren	90980-11349			
T16	Tweeter Front LH	90980-12304			
T17	Tweeter Front RH				
T18	Tweeter Rear LH				
T19	Tweeter Rear RH				
U 1	Unlock Warning SW	90980-10860			
V 1	Vacuum Sensor	90980-10845			
V 2	Vacuum SW	90980-11252			
V 3	Variable Resistor	90980-10902			
V 4	VRV (EGR)	90980-11162			
V 5	VSV (EVAP)	90980-10572			
V 6	VSV (Intake Air Control Valve)	90980-11149			
V 7	VSC Warning Buzzer	90980-10906			
V 8	Vanity Light LH	90980-11918			
V 9	Vanity Light RH				
W 1	Water Temp. SW (Radiator Fan)	90980-11235			
W 2	Wiper Relay	90080-98318			
Y 1	Yaw Rate Sensor	90080-98249			
Z 1	Option Connector (Navigation ECU)	82824-30240			
Z 2	Option Connector (Navigation ECU)	90980-11973			

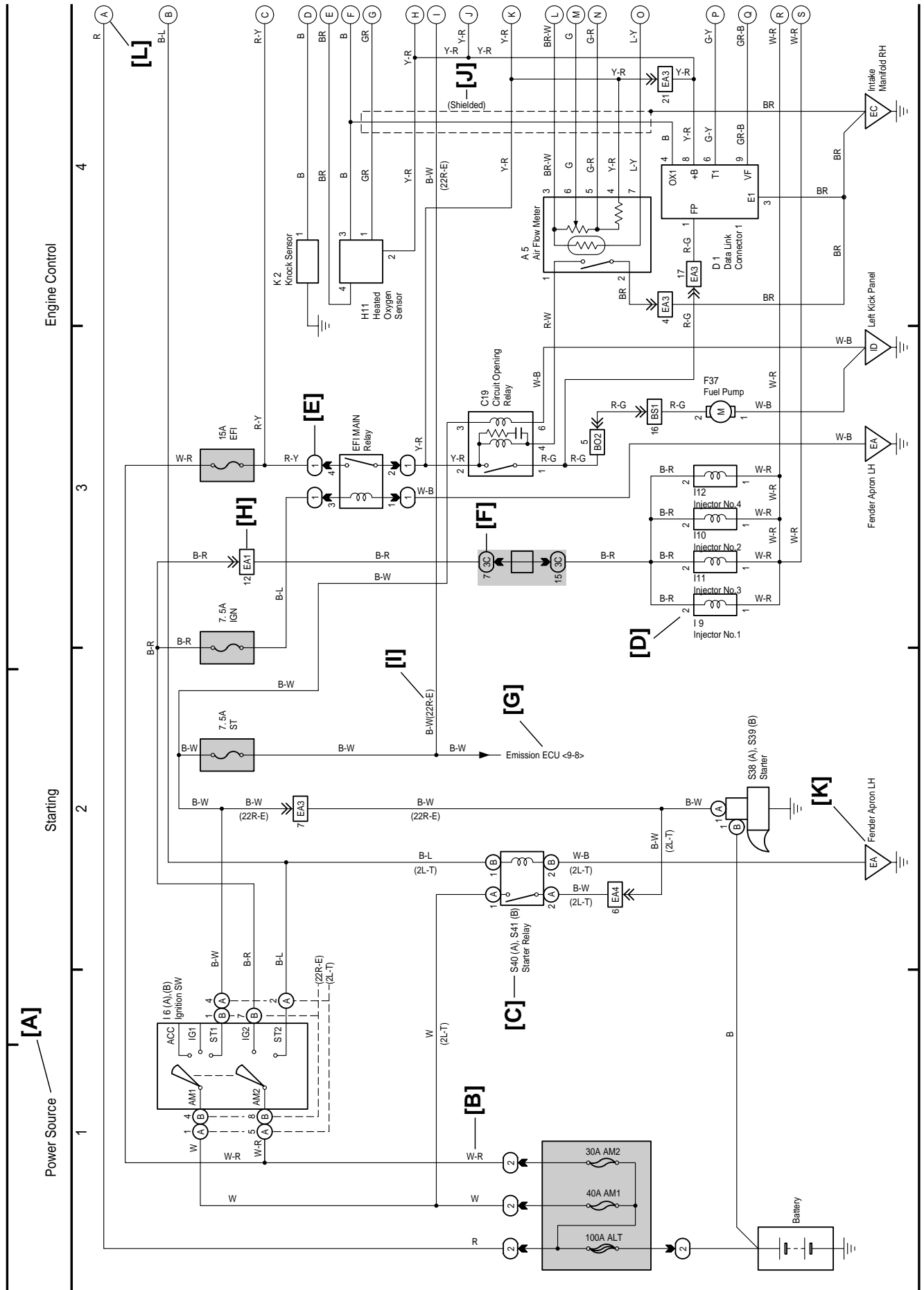
Note: Not all of the above part numbers of the connector are established for the supply.

Code	Part Name	Part Number	Code	Part Name	Part Number

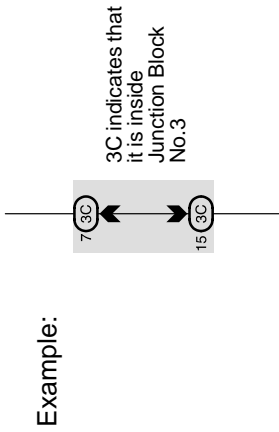
M OVERALL ELECTRICAL WIRING DIAGRAM

* The system shown here is an EXAMPLE ONLY. It is different to the actual circuit shown in the wiring diagram section.

HOW TO READ THIS SECTION

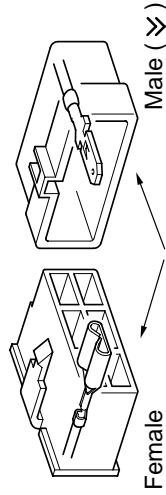


[F] : Junction Block (The number in the circle is the J/B No. and the connector code is shown beside it). Junction Blocks are shaded to clearly separate them from other parts.



[G] : Indicates related system.

[H] : Indicates the wiring harness and wiring harness connector. The wiring harness with male terminal is shown with arrows (↗). Outside numerals are pin numbers.



[I] : () is used to indicate different wiring and connector, etc. when the vehicle model, engine type, or specification is different.

[J] : Indicates a shielded cable.



[K] : Indicates and located on ground point.

[L] : The same code occurring on the next page indicates that the wire harness is continuous.

[A] : System Title

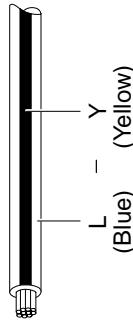
[B] : Indicates the wiring color.

Wire colors are indicated by an alphabetical code.

- B = Black W = White BR = Brown
- L = Blue V = Violet SB = Sky Blue
- R = Red G = Green LG = Light Green
- P = Pink Y = Yellow GR = Gray
- O = Orange

The first letter indicates the basic wire color and the second letter indicates the color of the stripe.

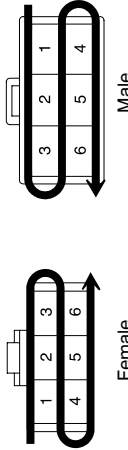
Example: L - Y



[C] : The position of the parts is the same as shown in the wiring diagram and wire routing.

[D] : Indicates the pin number of the connector. The numbering system is different for female and male connectors.

Example : Numbered in order from upper left to lower right



The numbering system for the overall wiring diagram is the same as above

[E] : Indicates a Relay Block. No shading is used and only the Relay Block No. is shown to distinguish it from the J/B.

Example : ① Indicates Relay Block No.1

M OVERALL ELECTRICAL WIRING DIAGRAM

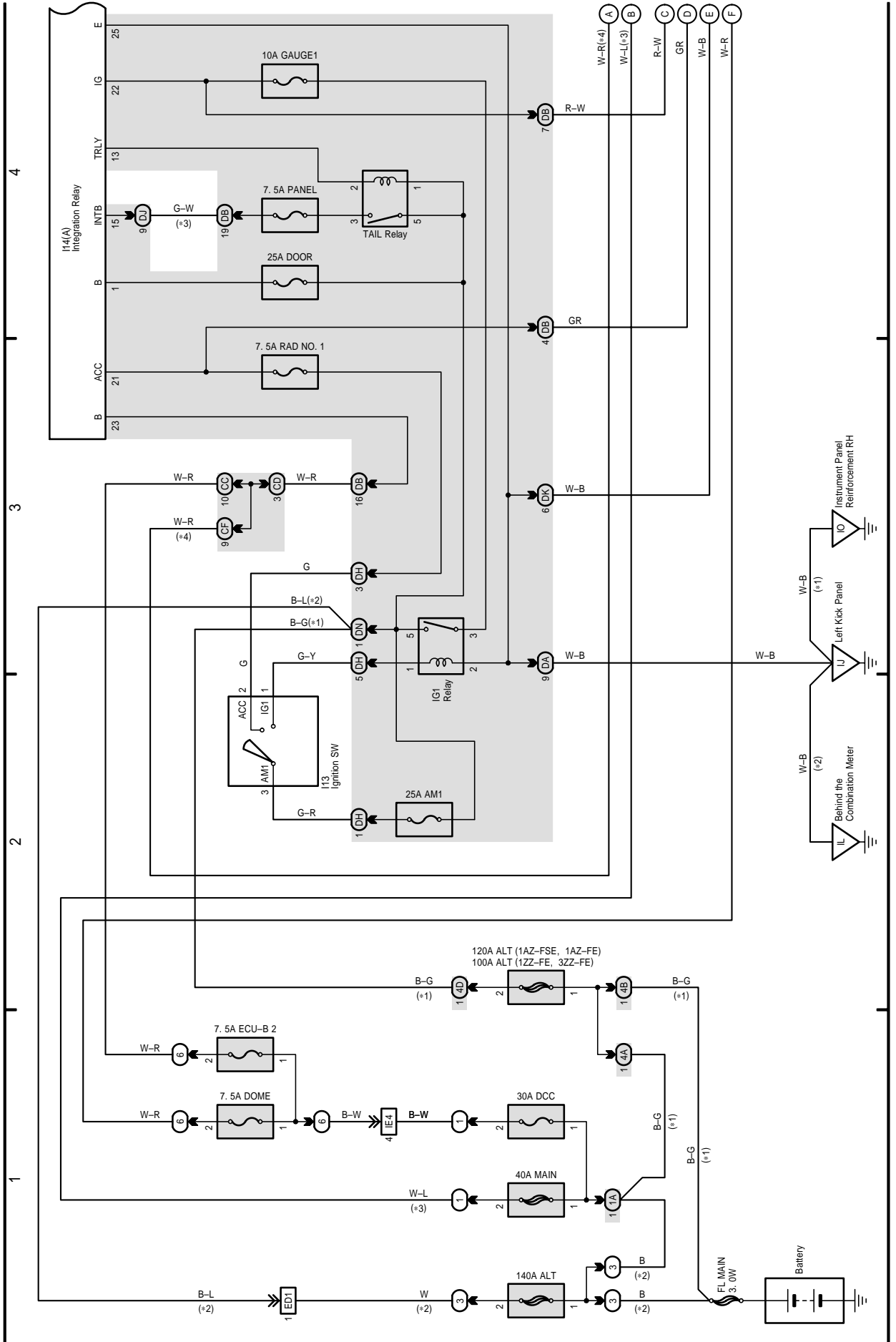
1 AVENSIS

(Cont. next page)

- * 1 : Gasoline
- * 2 : TCD-FIV
- * 3 : w/ Daytime Running Light
- * 4 : w/ Wireless Door Lock

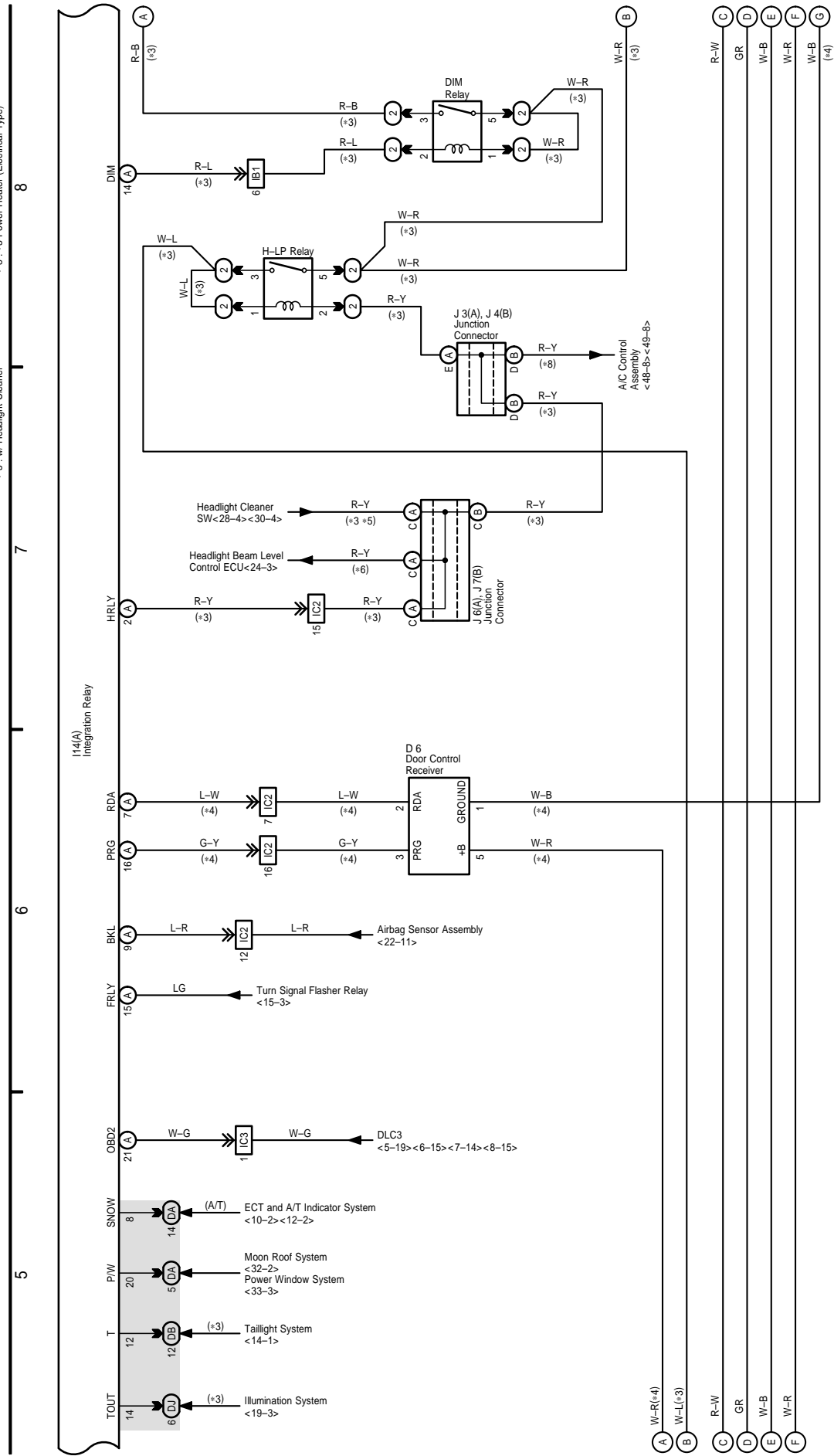
Multiplex Communication System (LHD)

Power Source

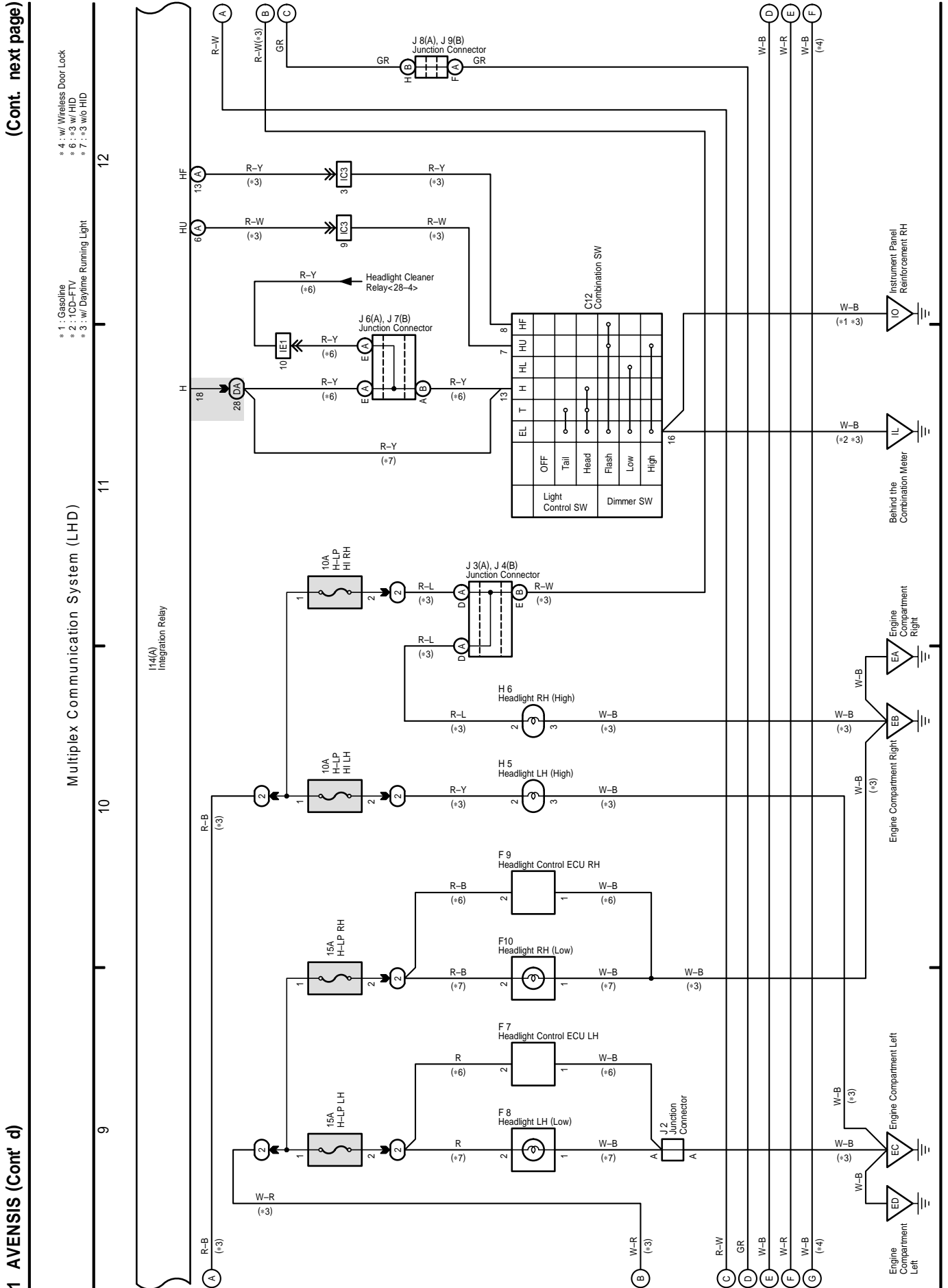


- * 3 : w/ Daytime Running Light
- * 4 : w/ Wireless Door Lock
- * 5 : w/ Headlight Cleaner
- * 6 : *3 w/HID
- * 8 : *3 Power Heater (Electrical Type)

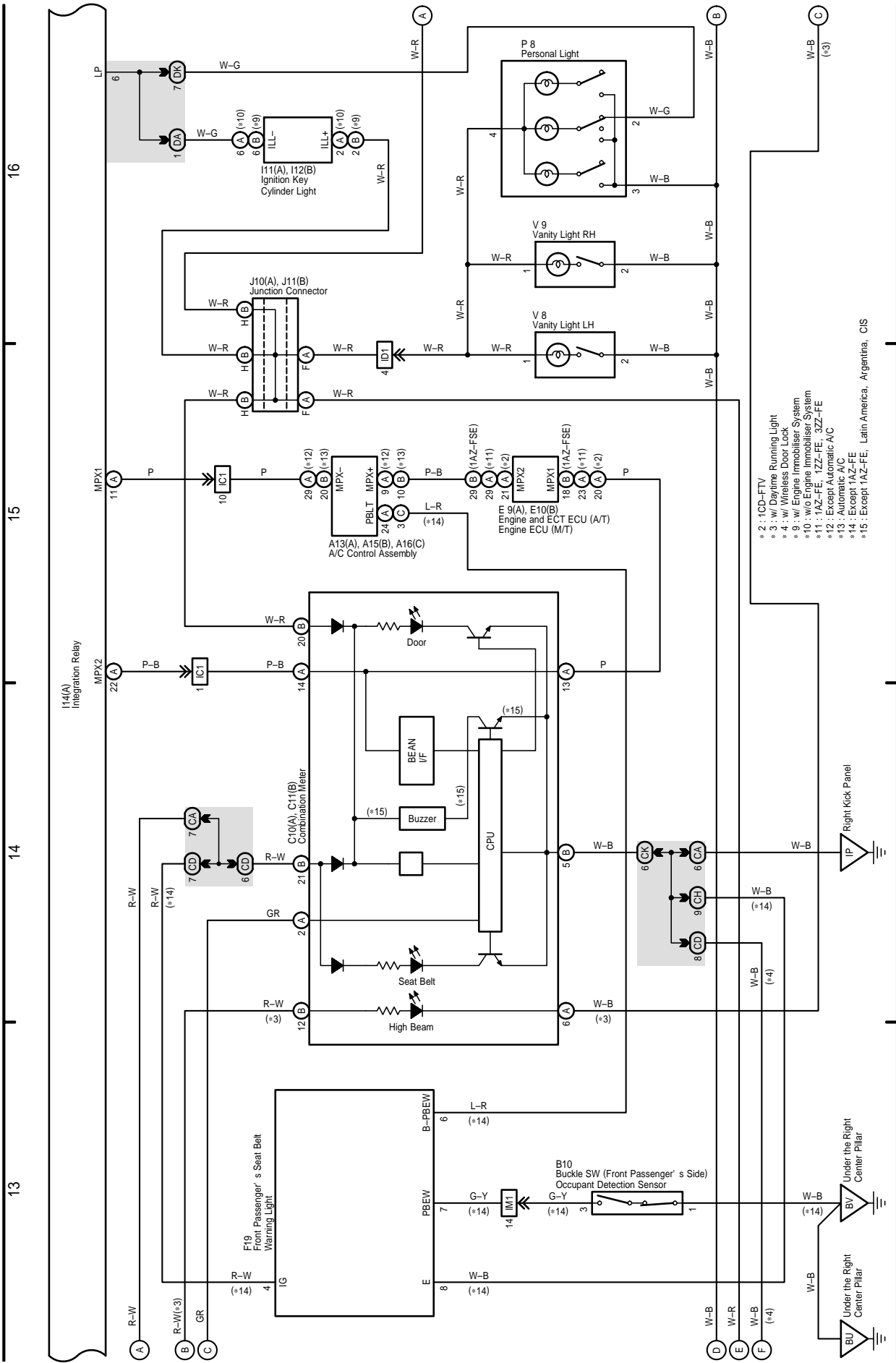
Multiplex Communication System (LHD)



M OVERALL ELECTRICAL WIRING DIAGRAM



Multiplex Communication System (LHD)



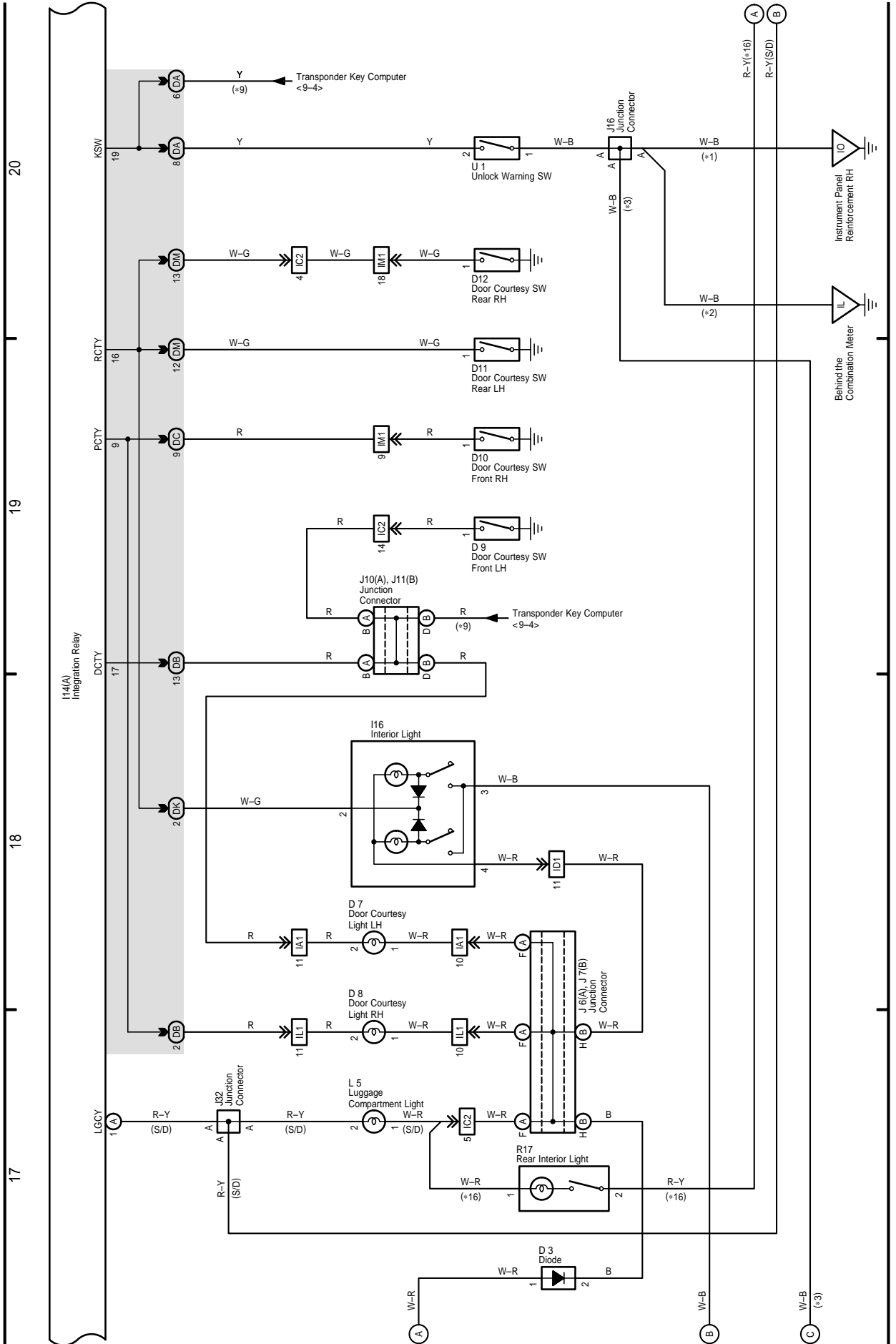
- * 2 : 1CD-FTV
- * 3 : w/ Daytime Running Light
- * 4 : w/ Wireless Door Lock
- * 9 : w/ Engine Immobiliser System
- * 10 : w/o Engine Immobiliser System
- * 11 : 1AZ-FE, 1ZZ-FE, 3ZZ-FE
- * 12 : Except Automatic A/C
- * 13 : Automatic A/C
- * 14 : Except 1AZ-FE
- * 15 : Except 1AZ-FE, Latin America, Argentina, CIS

M OVERALL ELECTRICAL WIRING DIAGRAM

1 AVENSIS (Cont' d) (Cont. next page)

- *1 : Gasoline
- *2 : TCD-Fly
- *3 : w/ Daytime Running Light
- *9 : w/ Engine Immobiliser System
- *16 : LB, W/G

Multiplex Communication System (LHD)



1 AVENSIS (Cont' d)

Multiplex Communication System (LHD)

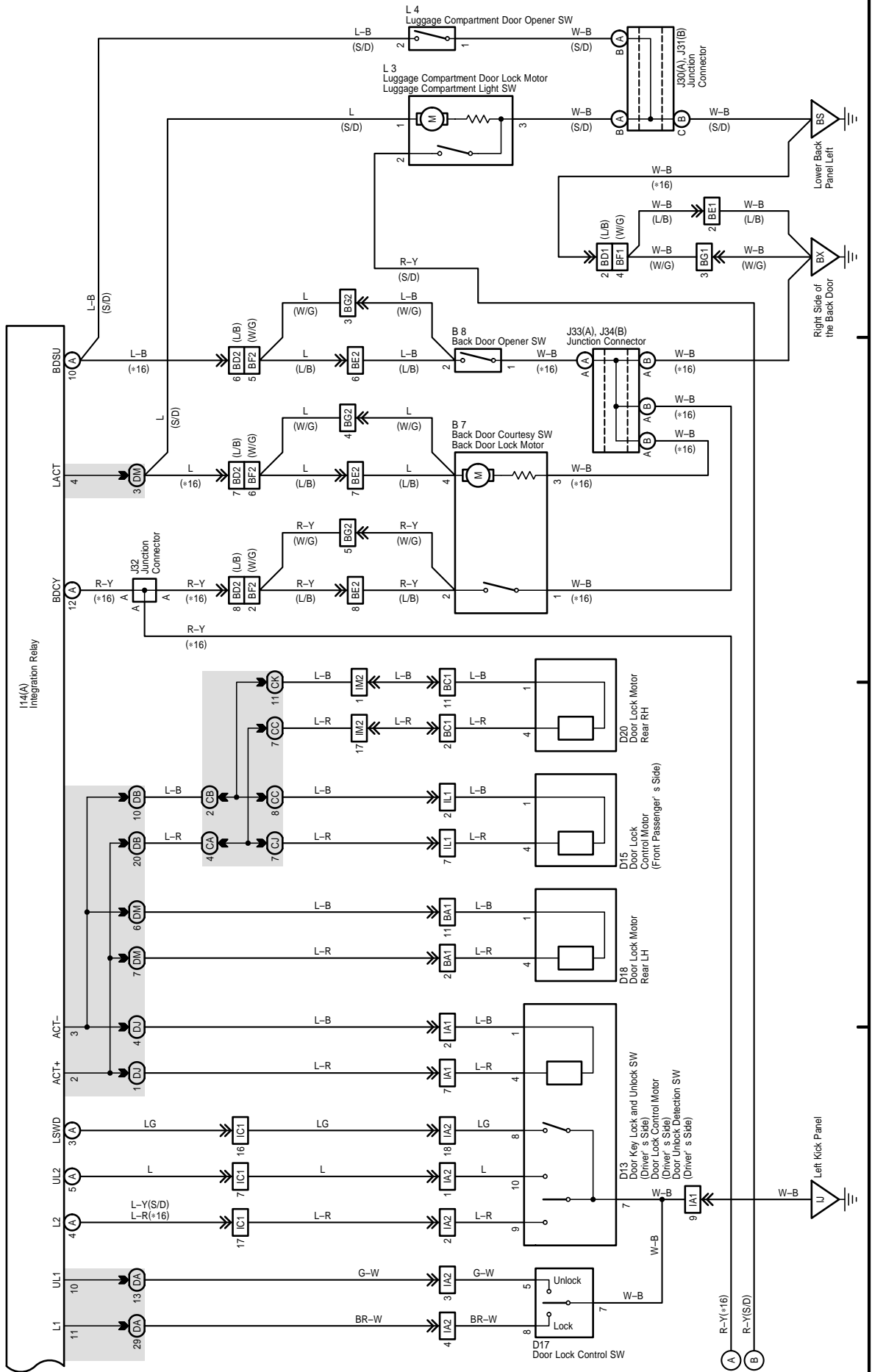
*16: LB, W/G

24

23

22

21



M OVERALL ELECTRICAL WIRING DIAGRAM

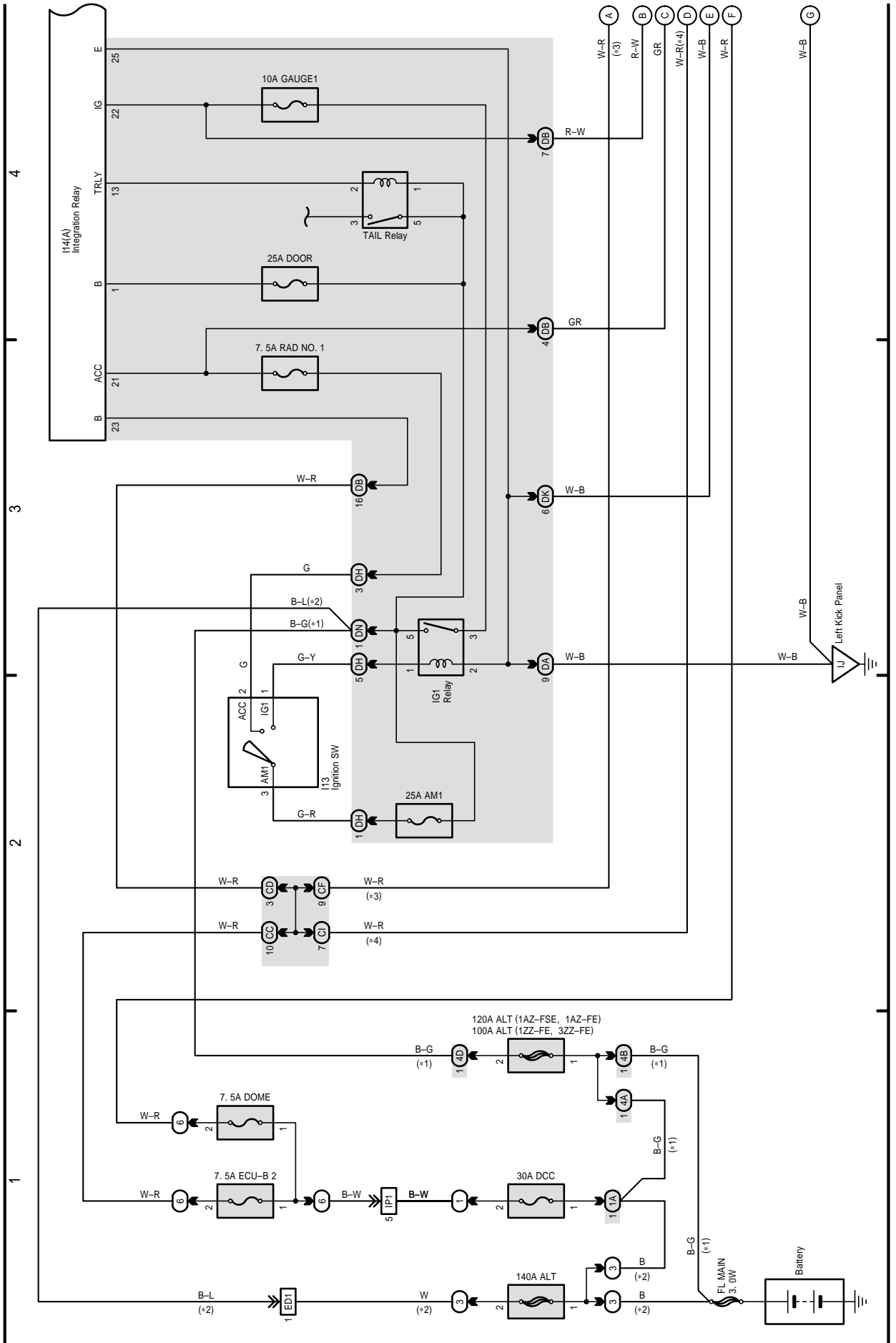
(Cont. next page)

2 AVENSIS

- * 1 : Gasoline
- * 2 : TCD-FIV
- * 3 : w/Wireless Door Lock
- * 4 : w/Theft Deterrent

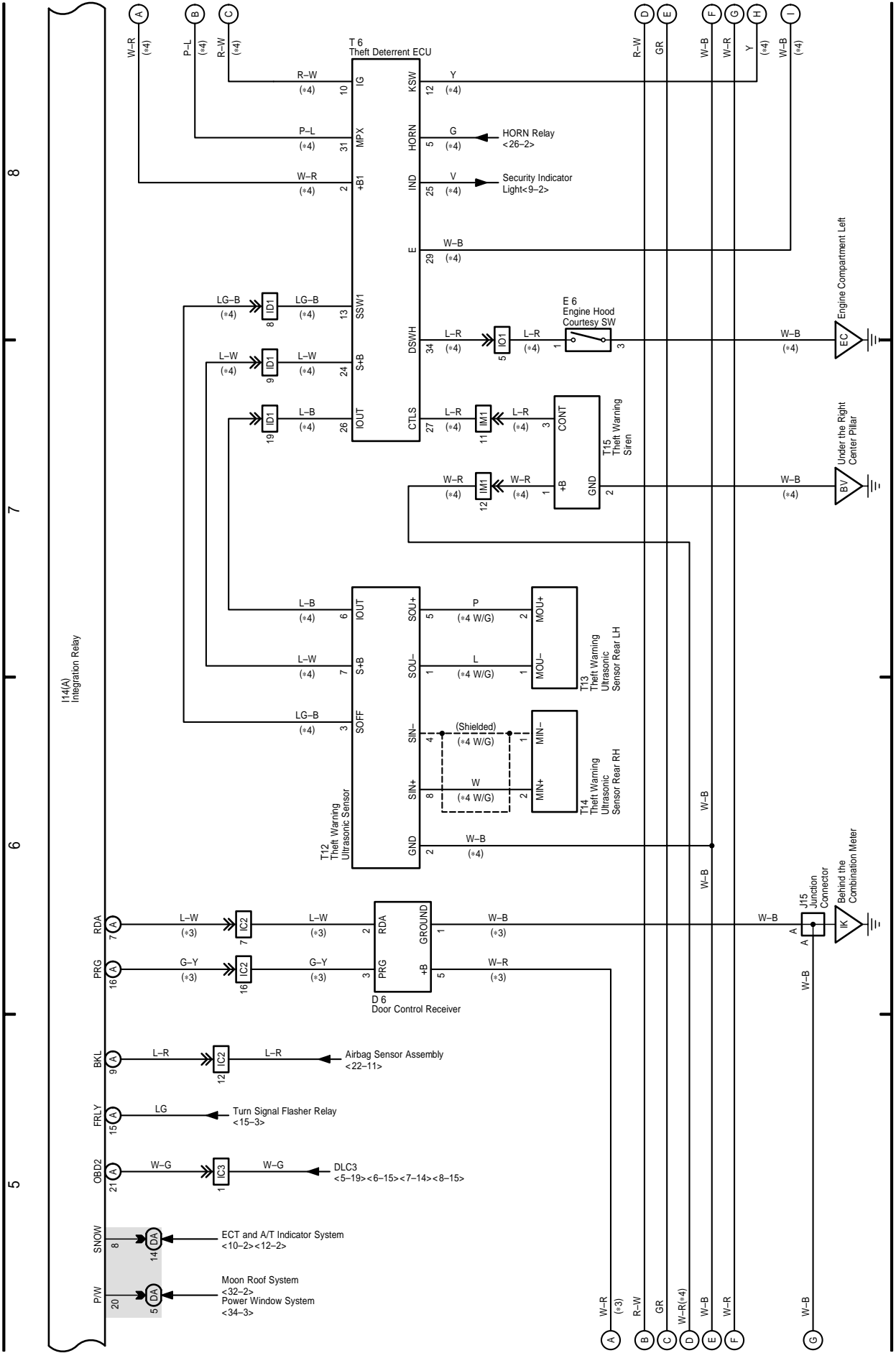
Multiplex Communication System (RHD)

Power Source



Multiplex Communication System (RHD)

* 3 : w/ Wireless Door Lock
 * 4 : w/ Theft Deterrent



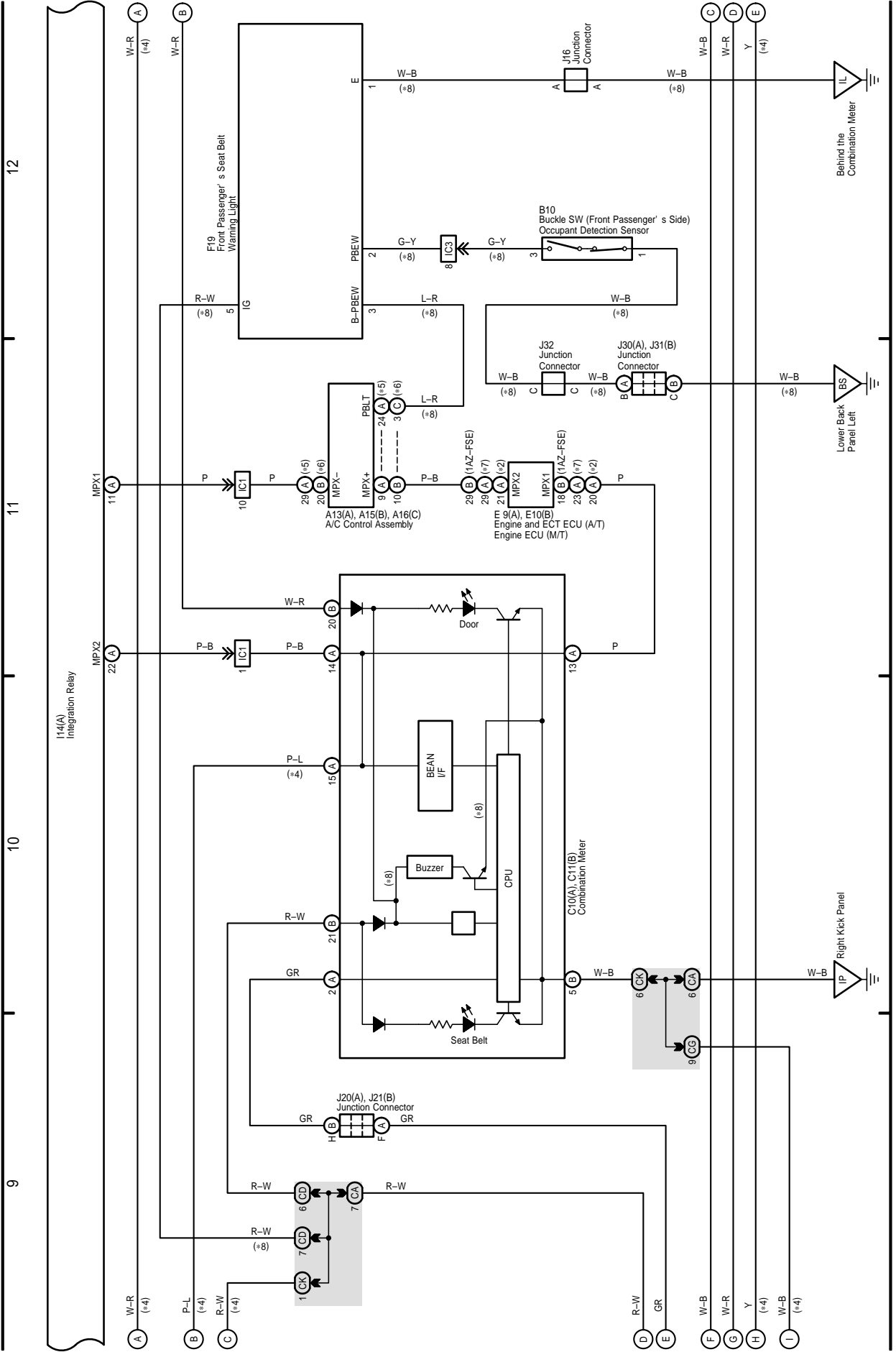
M OVERALL ELECTRICAL WIRING DIAGRAM

2 AVENSIS (Cont' d)

(Cont. next page)

- * 2 : 1CD-FTV
- * 4 : w/ Theft Deterrent
- * 5 : Except Automatic A/C
- * 6 : Automatic A/C
- * 7 : 1AZ-FE, 1ZZ-FE, 3ZZ-FE
- * 8 : Except 1AZ-FE

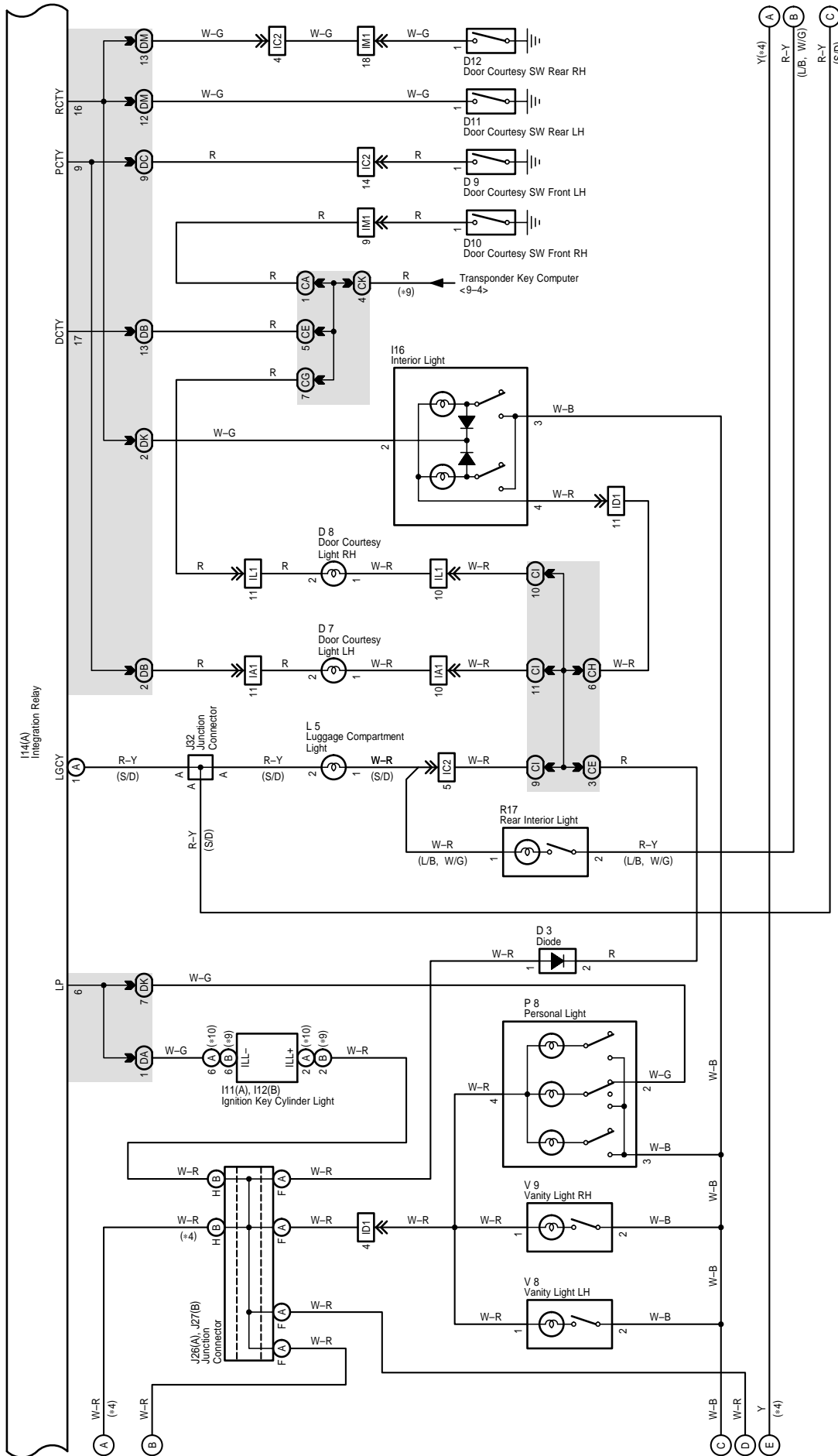
Multiplex Communication System (RHD)



* 4 : w/ Theft Deterrent
 * 9 : w/ Engine Immobiliser System
 * 10 : w/o Engine Immobiliser System

Multiplex Communication System (RHD)

13
14
15
16



M OVERALL ELECTRICAL WIRING DIAGRAM

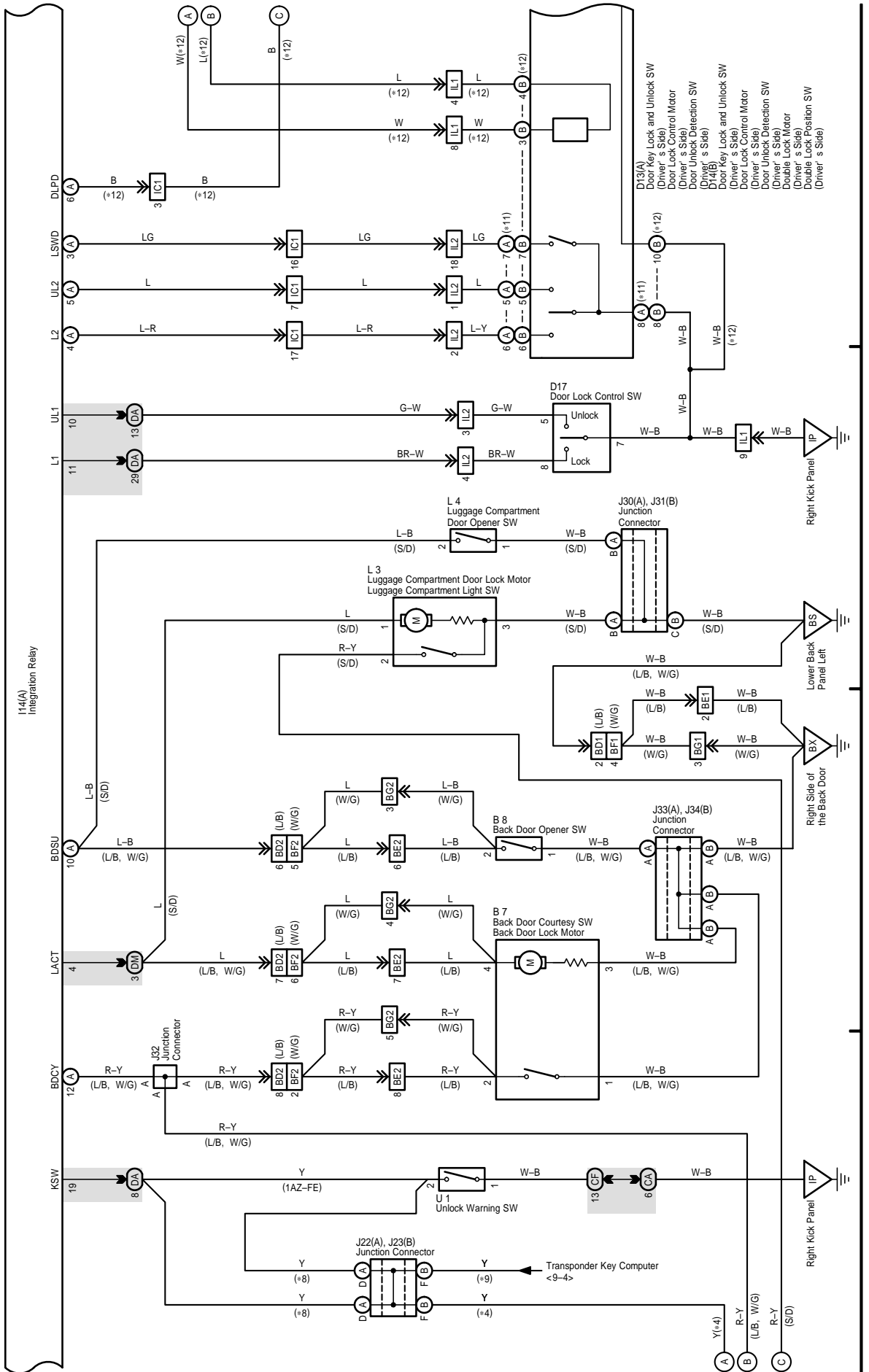
2 AVENSIS (Cont' d)

(Cont. next page)

- * 4 : w/ Theft Deterrent
- * 8 : Except 1AZ-FE
- * 9 : w/ Engine Immobiliser System
- * 11 : w/ Double Locking
- * 12 : w/ Double Locking

Multiplex Communication System (RHD)

17 18 19 20

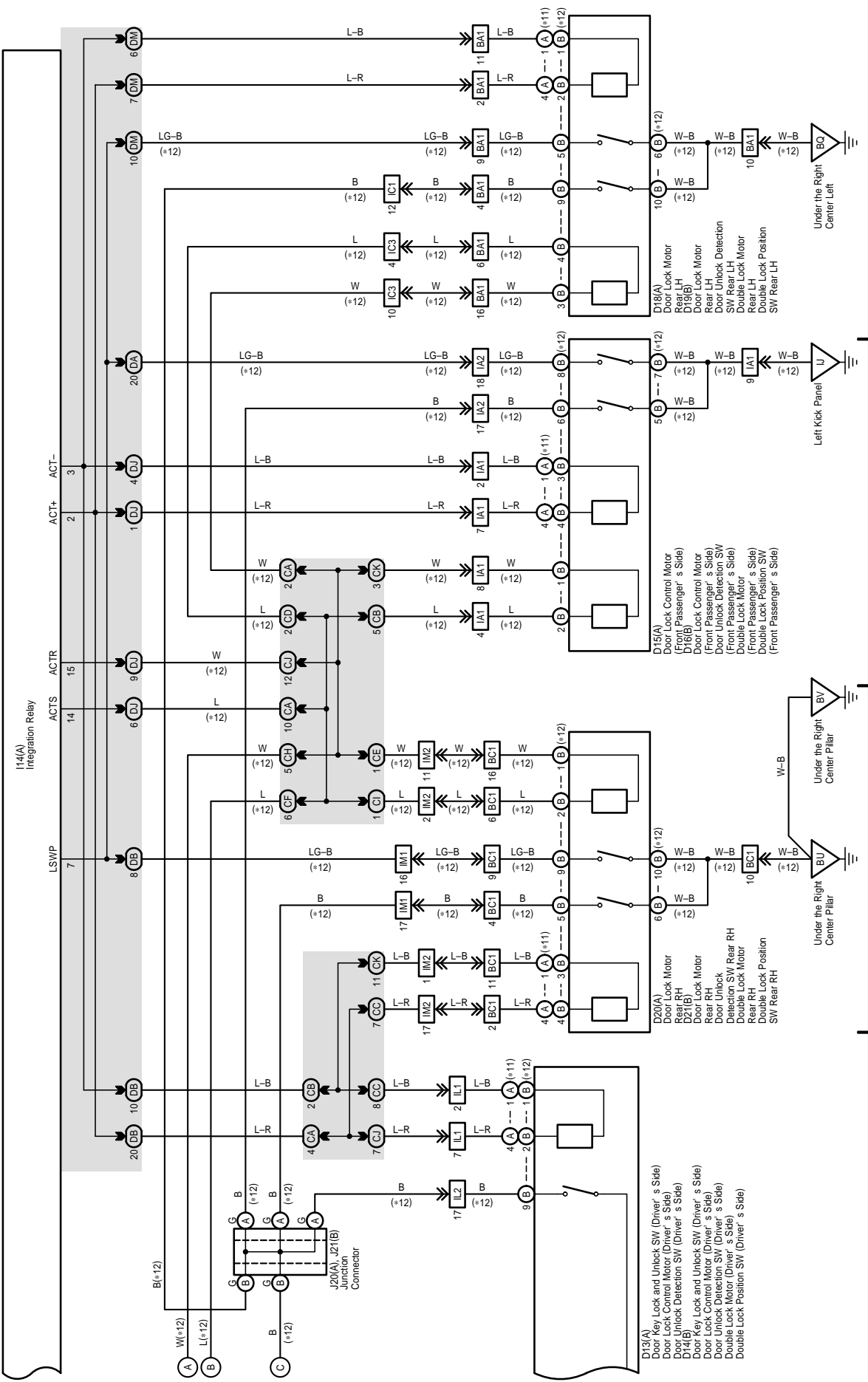


2 AVENSIS (Cont' d)

Multiplex Communication System (RHD)

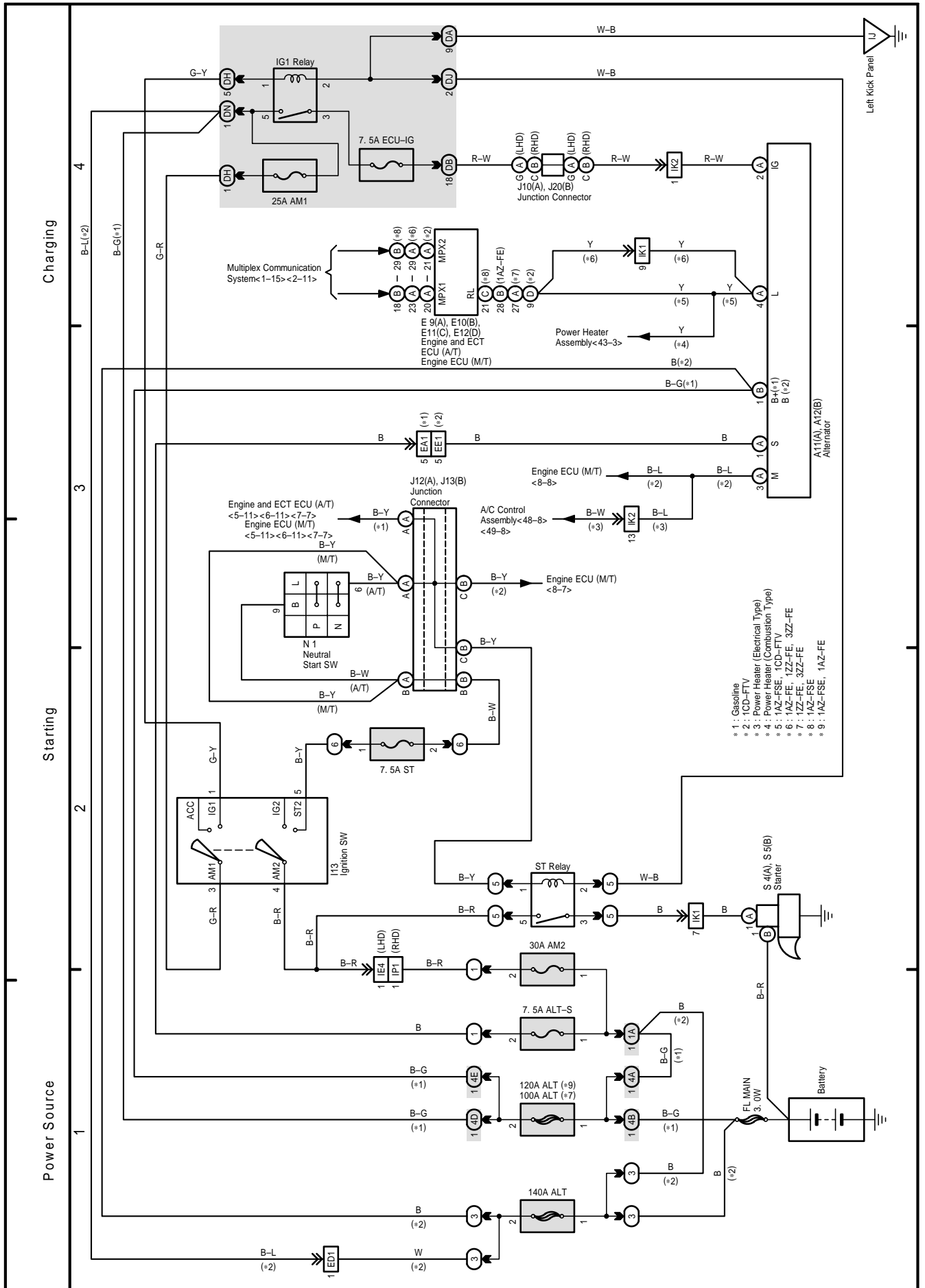
*11 : w/o Double Locking
*12 : w/Double Locking

21 22 23 24



M OVERALL ELECTRICAL WIRING DIAGRAM

3 AVENSIS

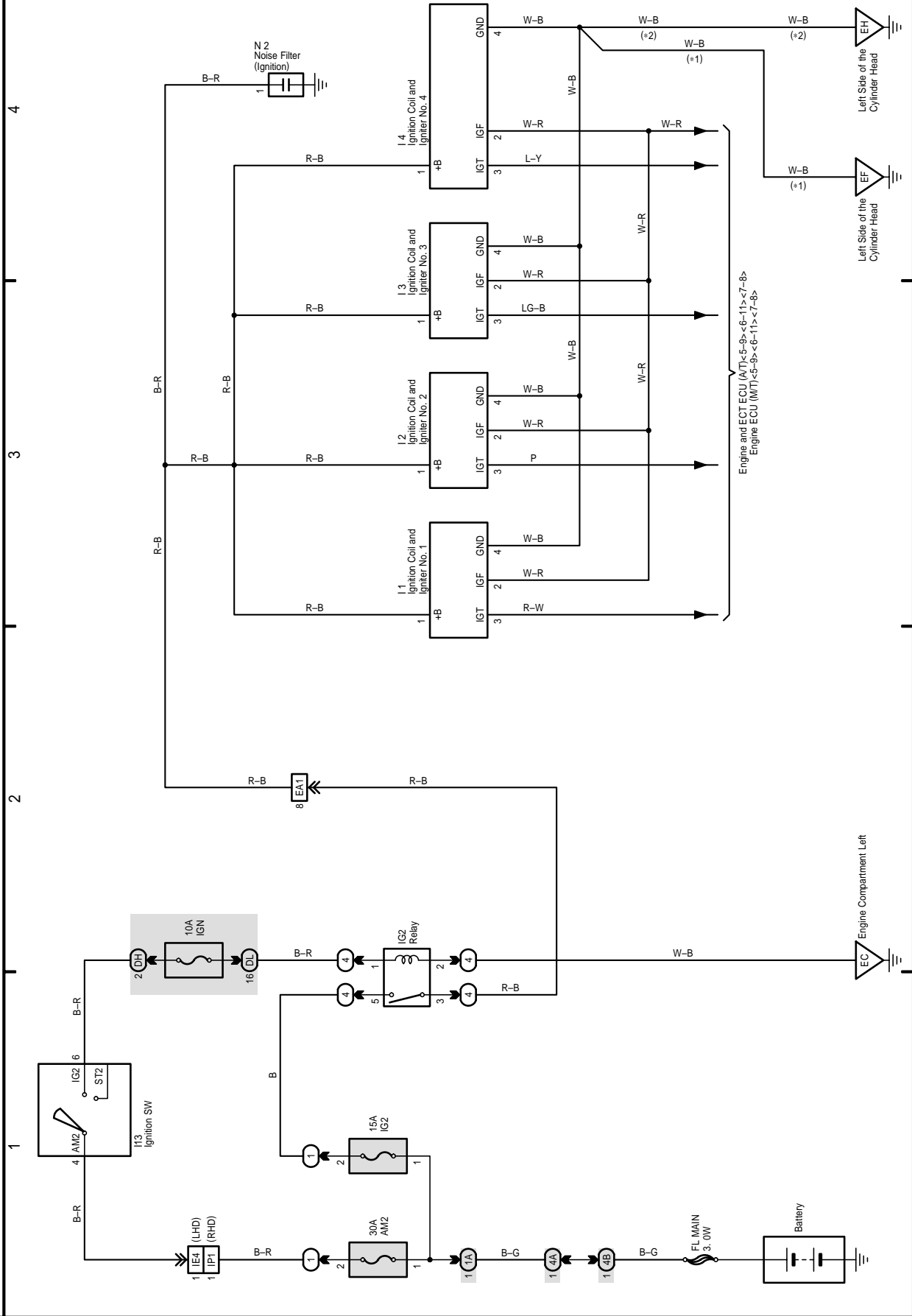


4 AVENSIS

Power Source

Ignition

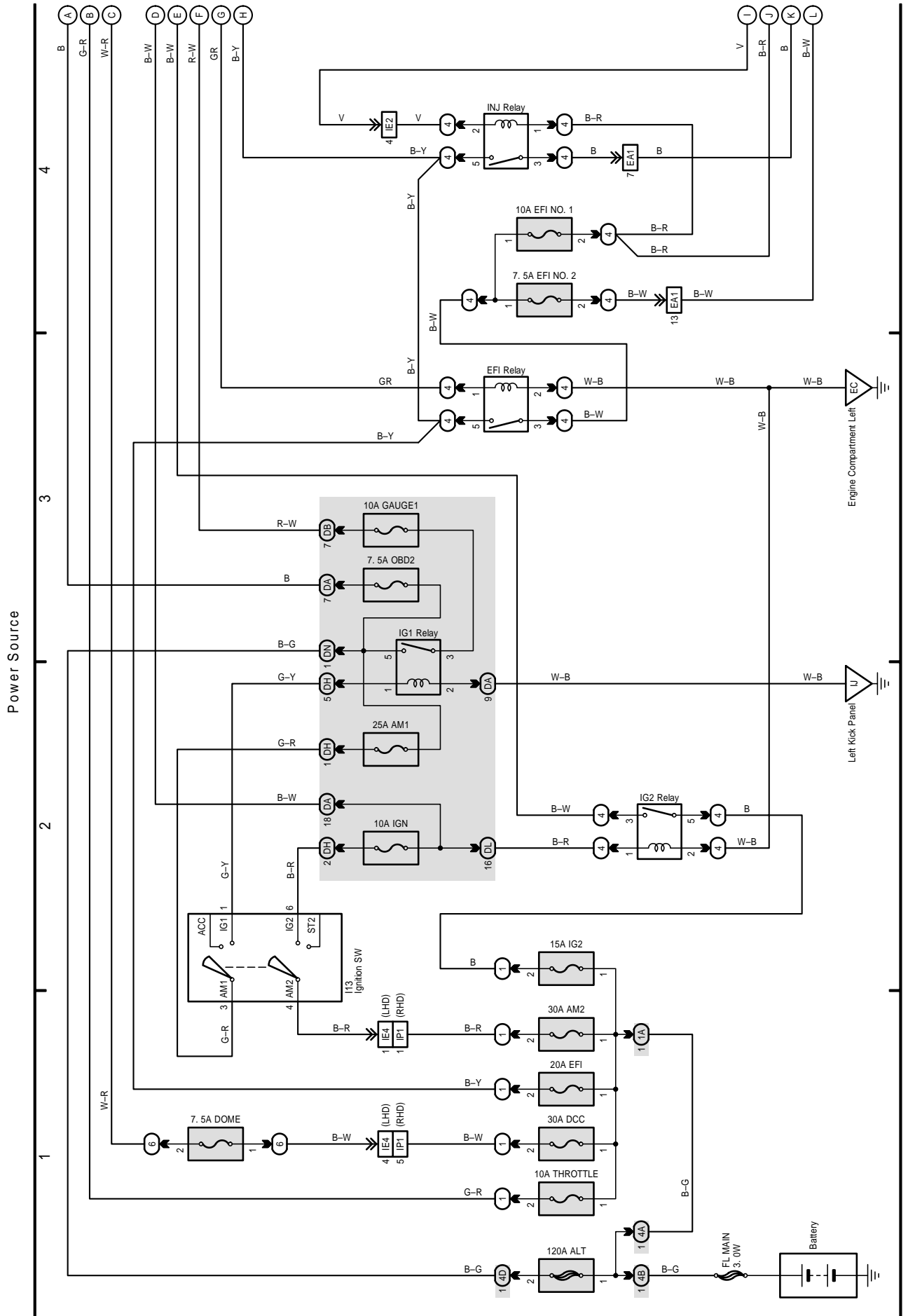
* 1 : 1AZ-FSE, 1AZ-FE
* 2 : 1ZZ-FE, 3ZZ-FE



M OVERALL ELECTRICAL WIRING DIAGRAM

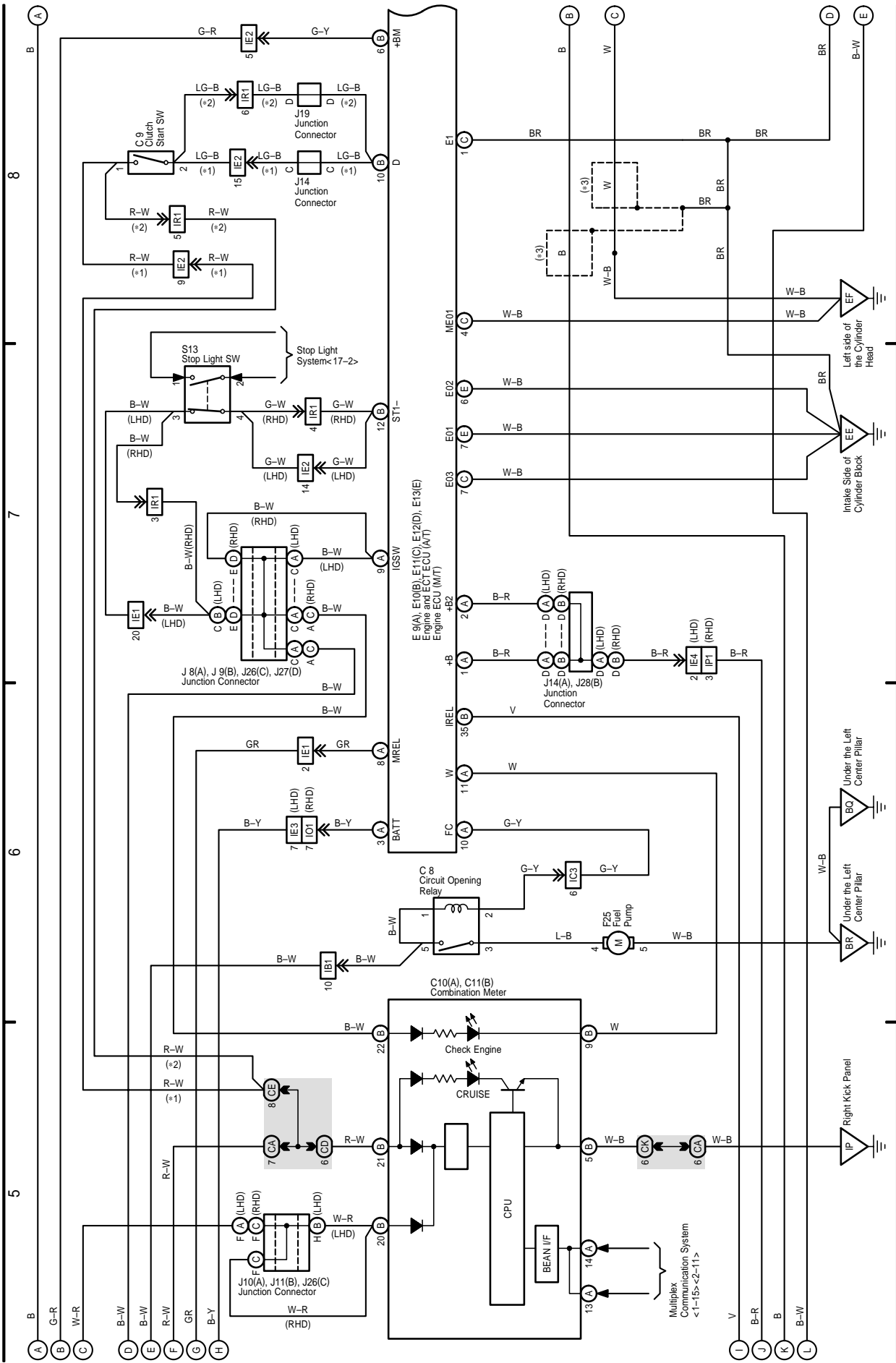
(Cont. next page)

5 AVENSIS



* 1 : LHD MT
 * 2 : RHD MT
 * 3 : Shielded

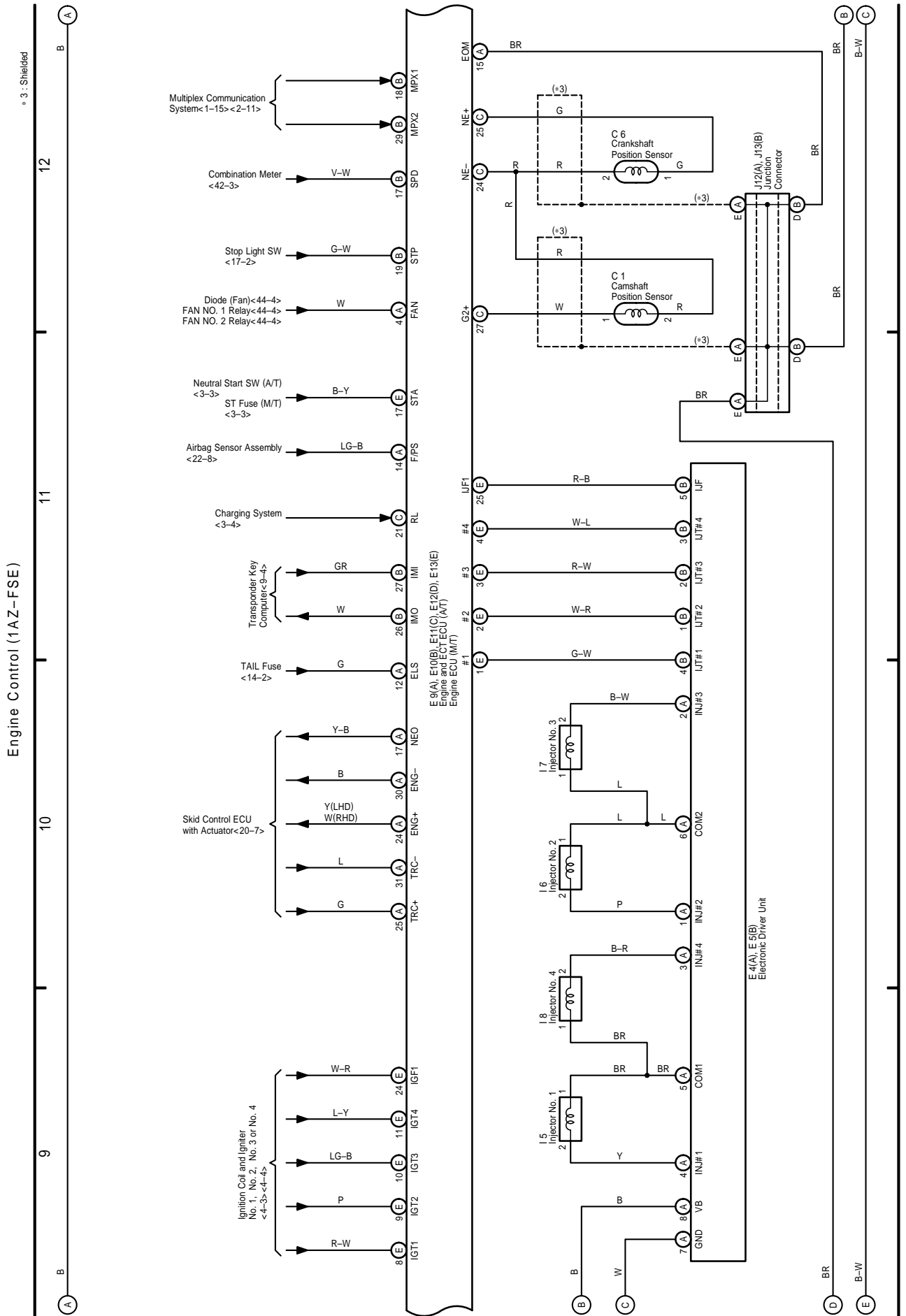
Engine Control (1AZ-FSE)



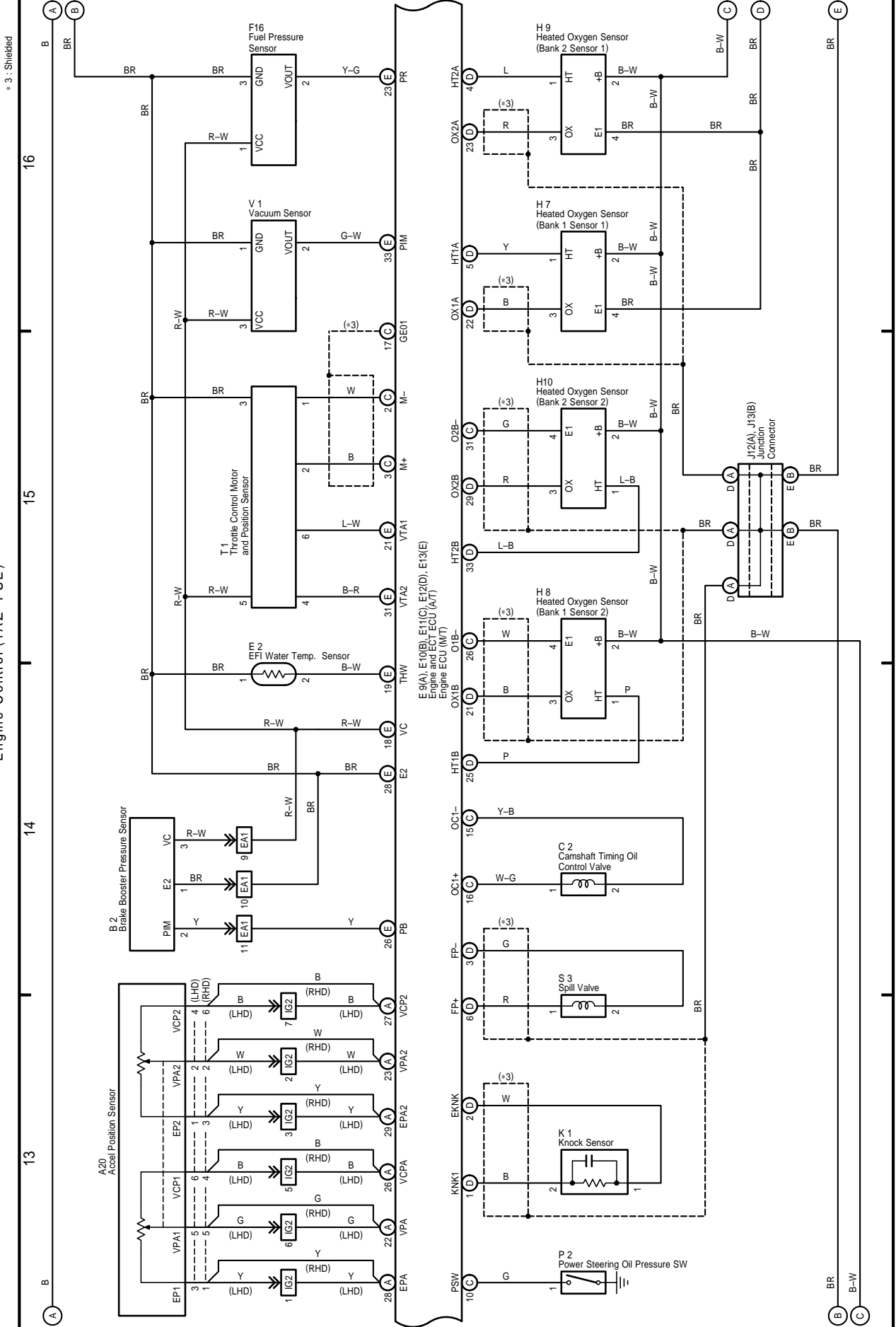
M OVERALL ELECTRICAL WIRING DIAGRAM

(Cont. next page)

5 AVENSIS (Cont' d)



Engine Control (1AZ-FSE)



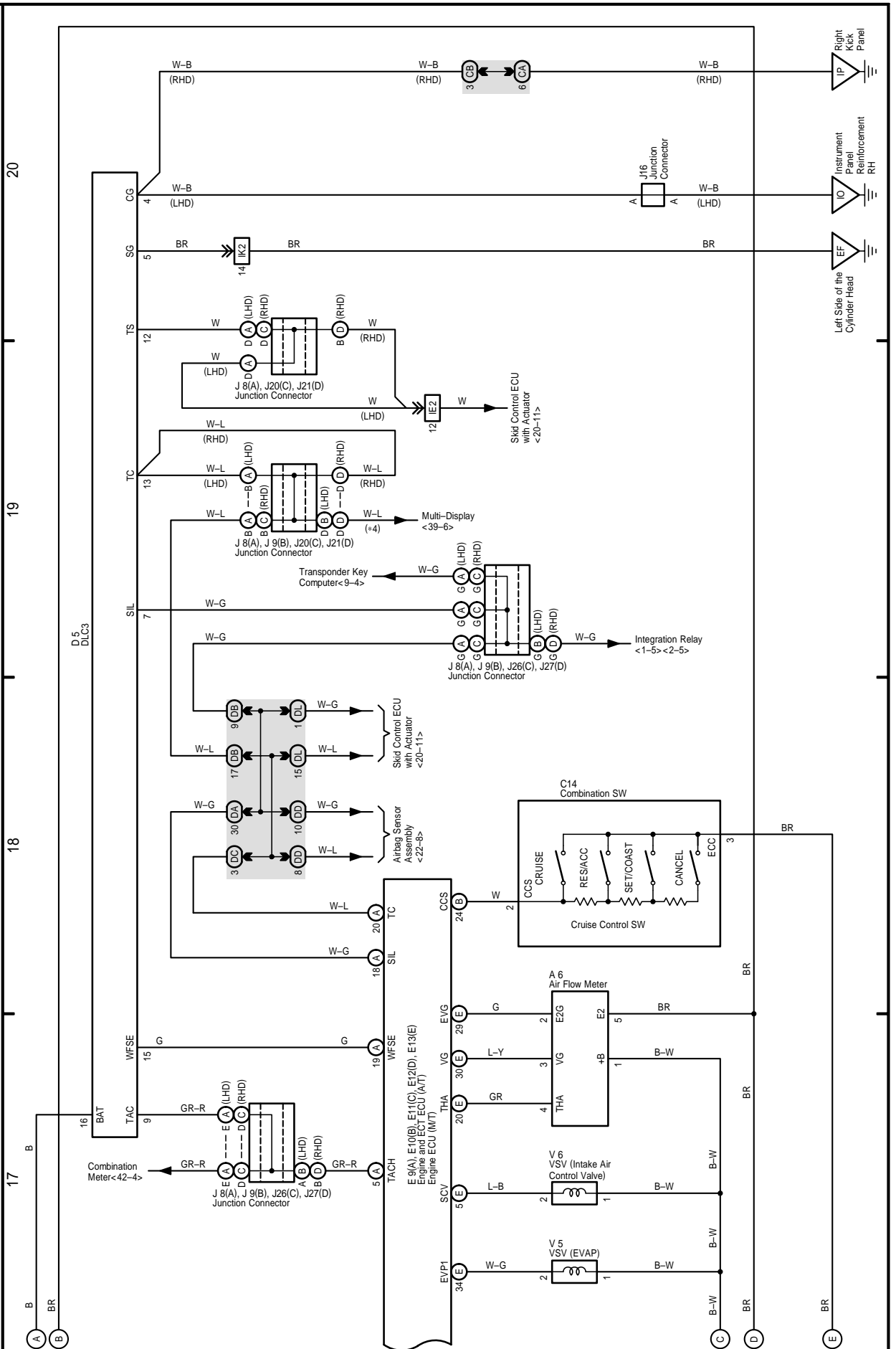
M OVERALL ELECTRICAL WIRING DIAGRAM

5 AVENSIS (Cont' d)

Engine Control (1AZ-FSE)

Cruise Control (1AZ-FSE)

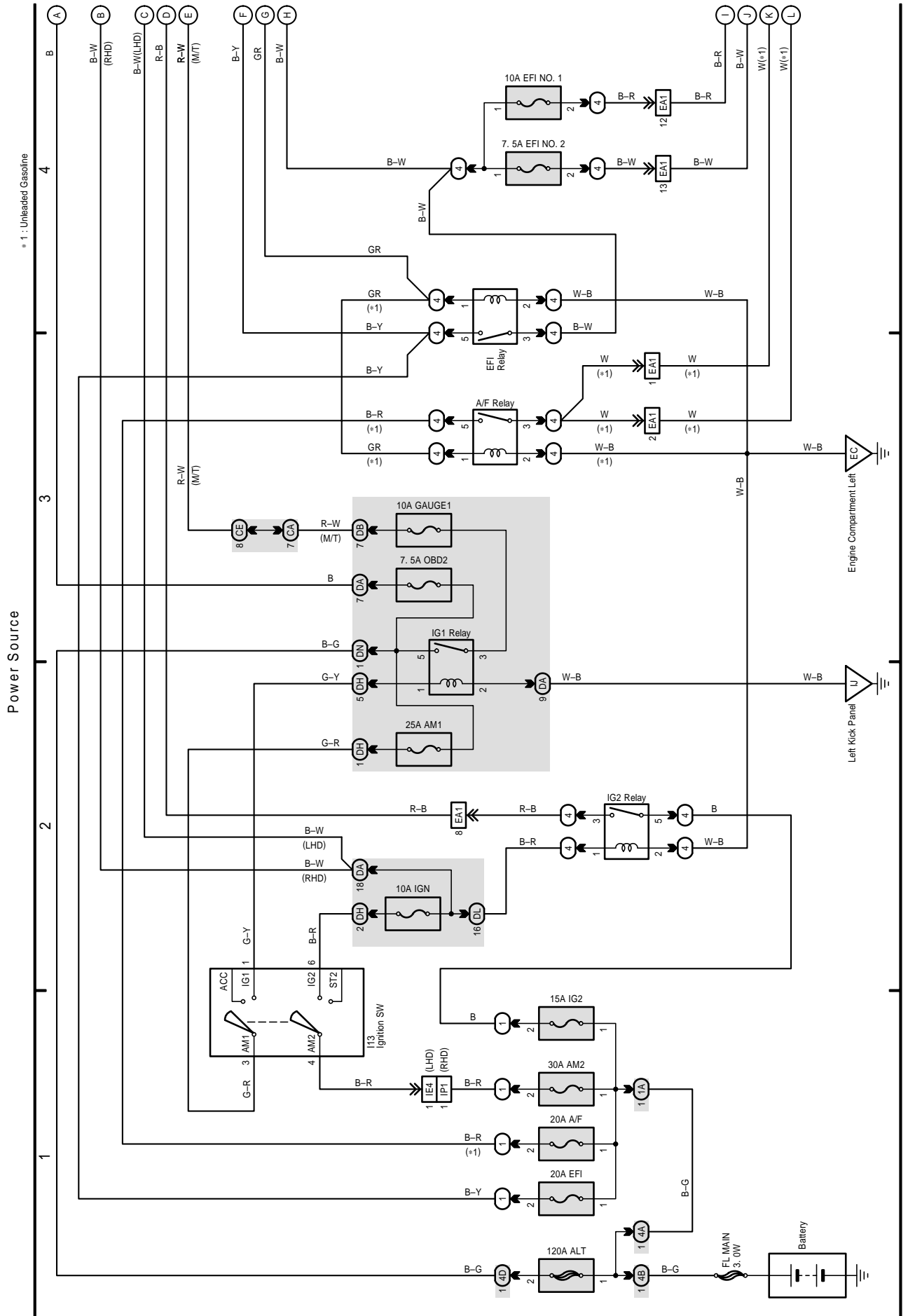
* 4 : w/ Navigation System (Map Type)



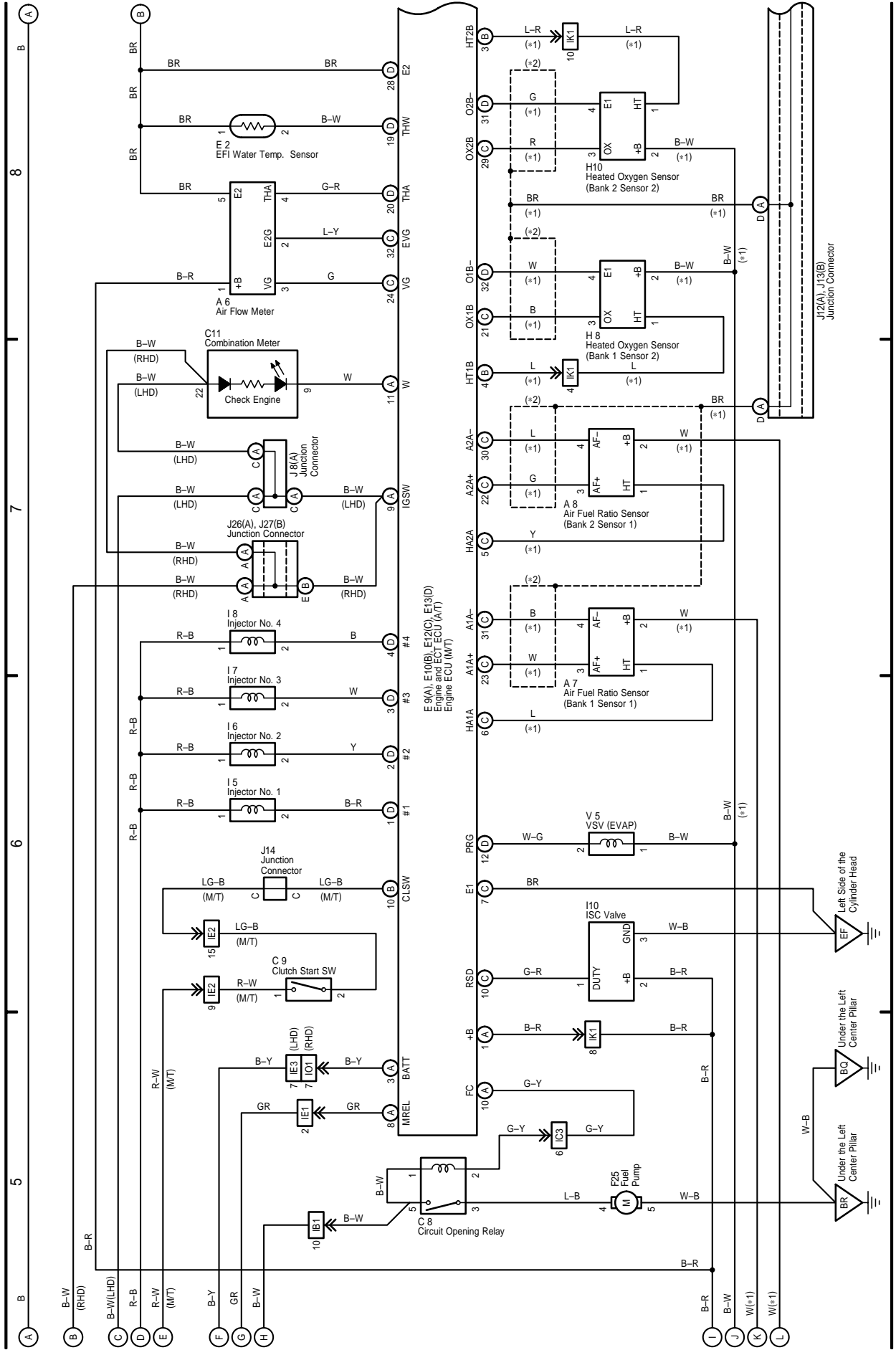
M OVERALL ELECTRICAL WIRING DIAGRAM

(Cont. next page)

6 AVENSIS



Engine Control (1AZ-FE)



* 1 : Unleaded Gasoline
* 2 : Shielded

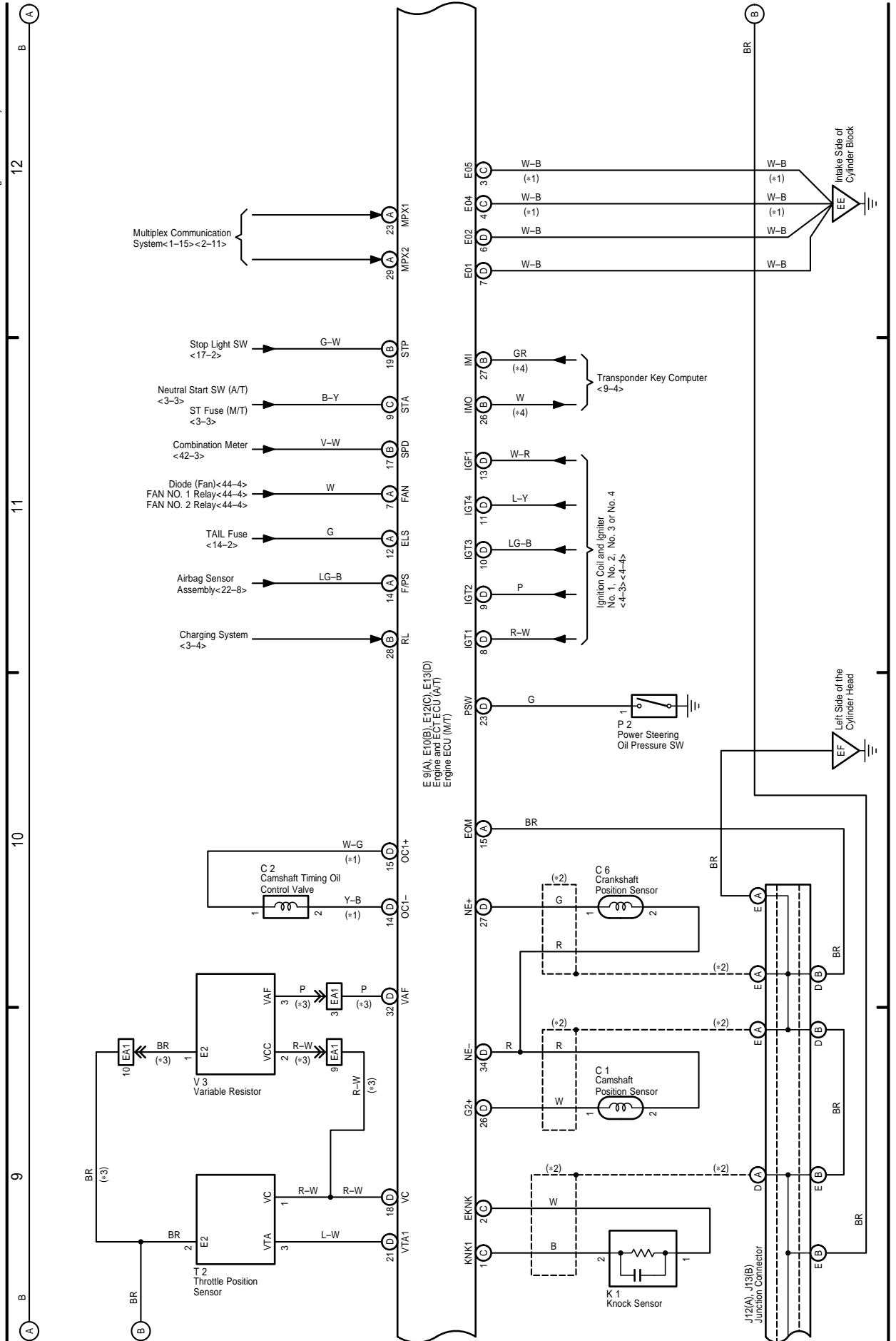
M OVERALL ELECTRICAL WIRING DIAGRAM

(Cont. next page)

6 AVENSIS (Cont' d)

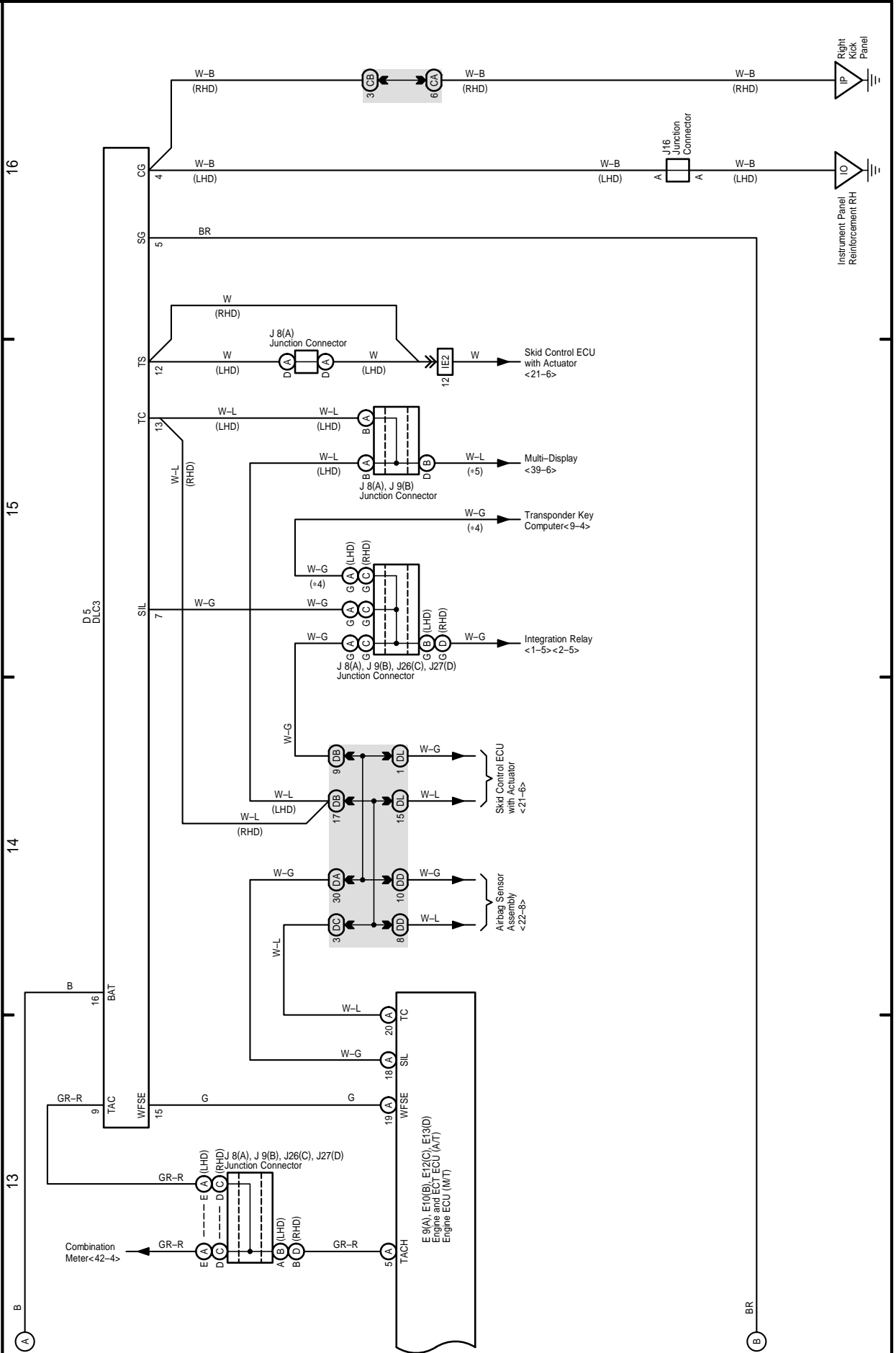
- * 1 : Unleaded Gasoline
- * 2 : Shielded
- * 3 : Leaded Gasoline
- * 4 : w/ Engine Immobiliser System

Engine Control (1AZ-FE)



6 AVENSIS (Cont' d)

Engine Control (1AZ-FE)



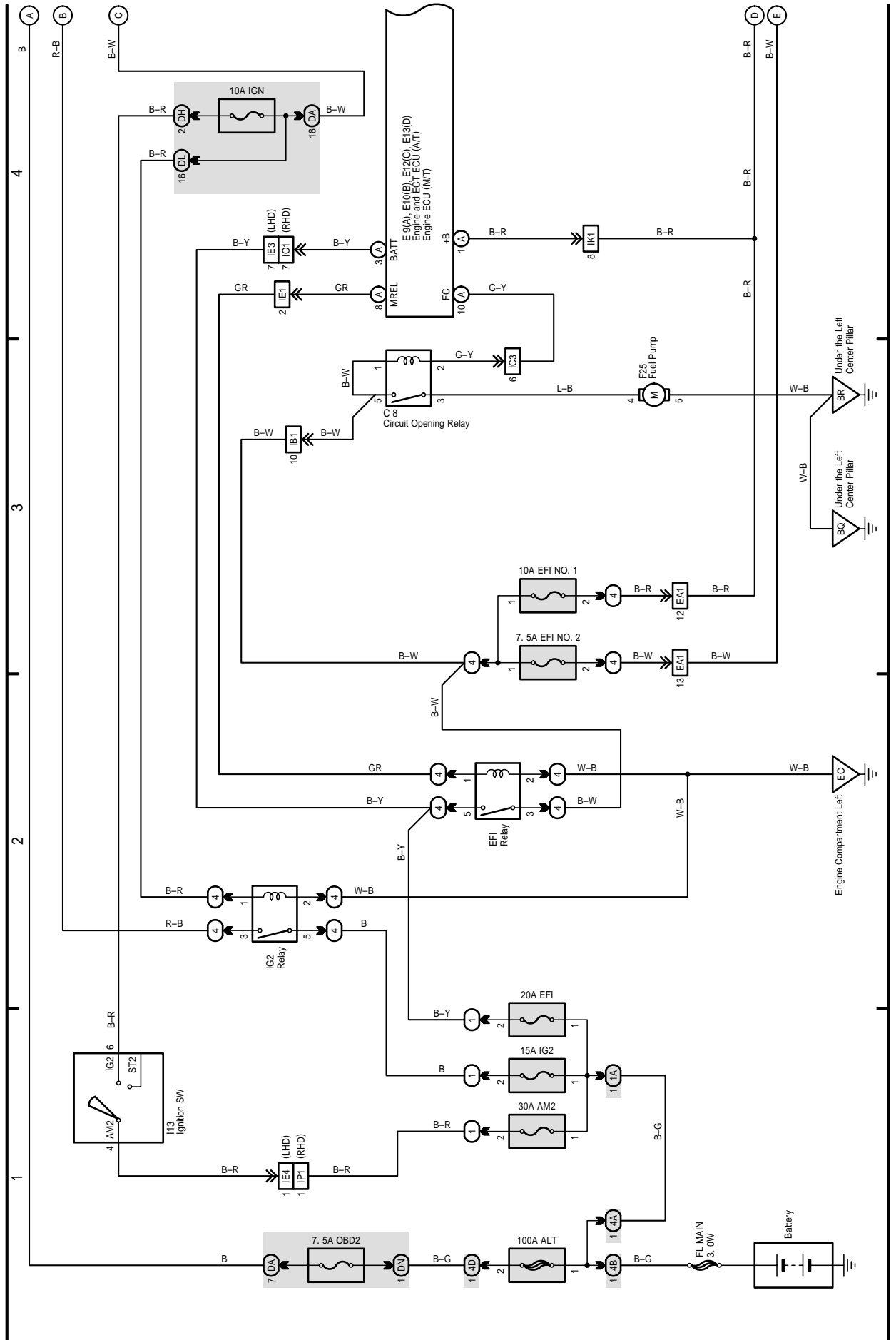
M OVERALL ELECTRICAL WIRING DIAGRAM

(Cont. next page)

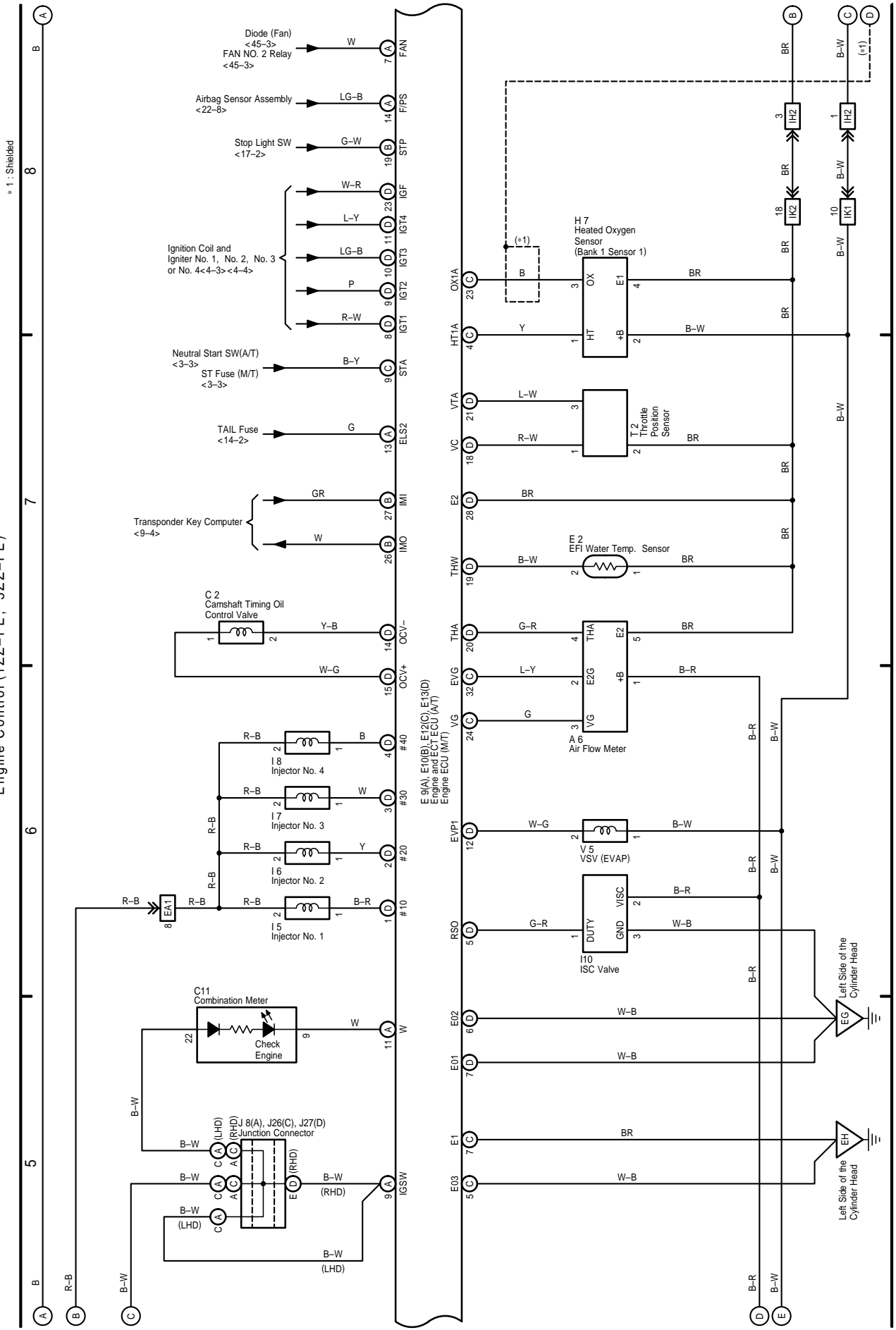
7 AVENSIS

Engine Control (1ZZ-FE, 3ZZ-FE)

Power Source

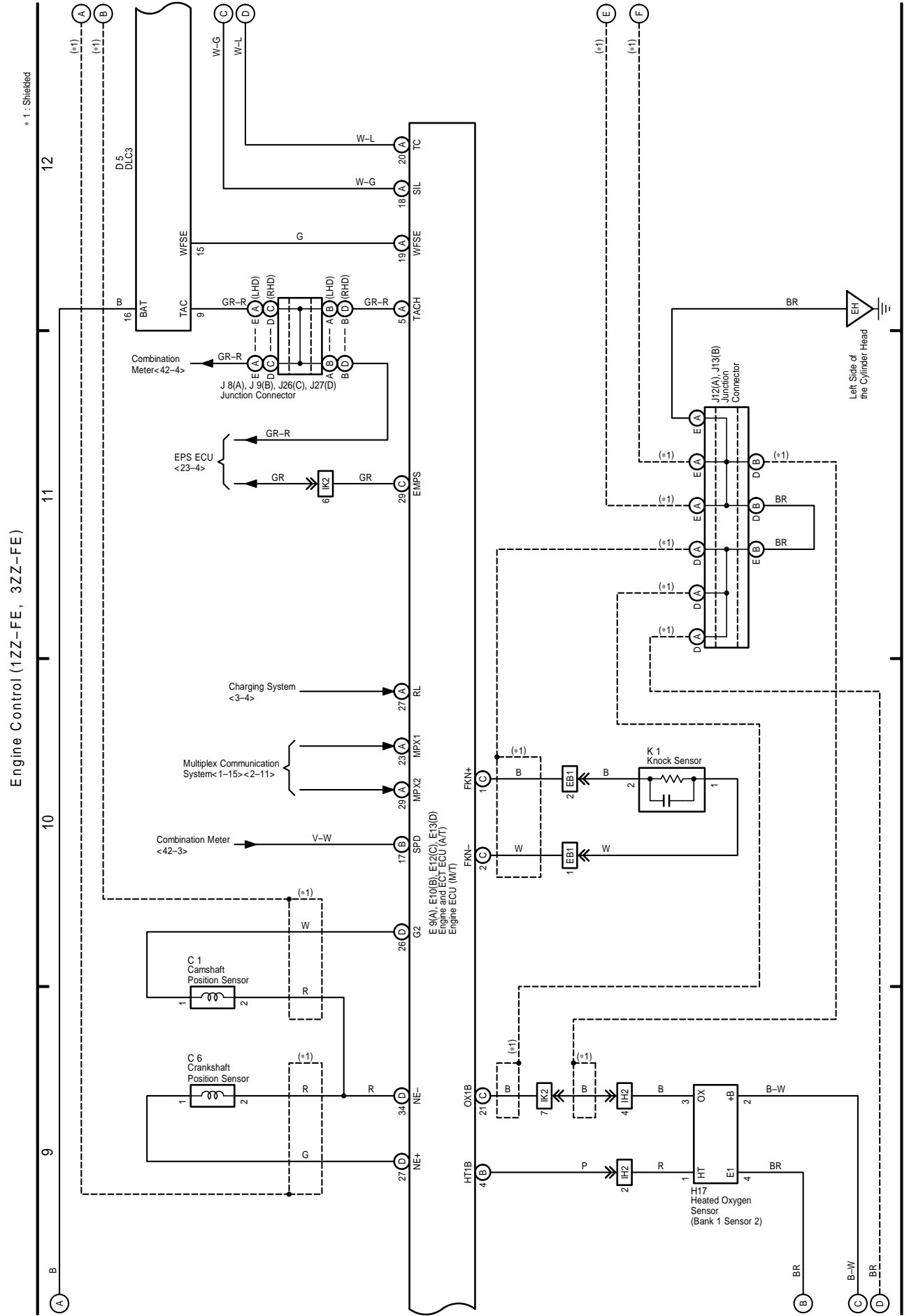


Engine Control (1ZZ-FE, 3ZZ-FE)



M OVERALL ELECTRICAL WIRING DIAGRAM

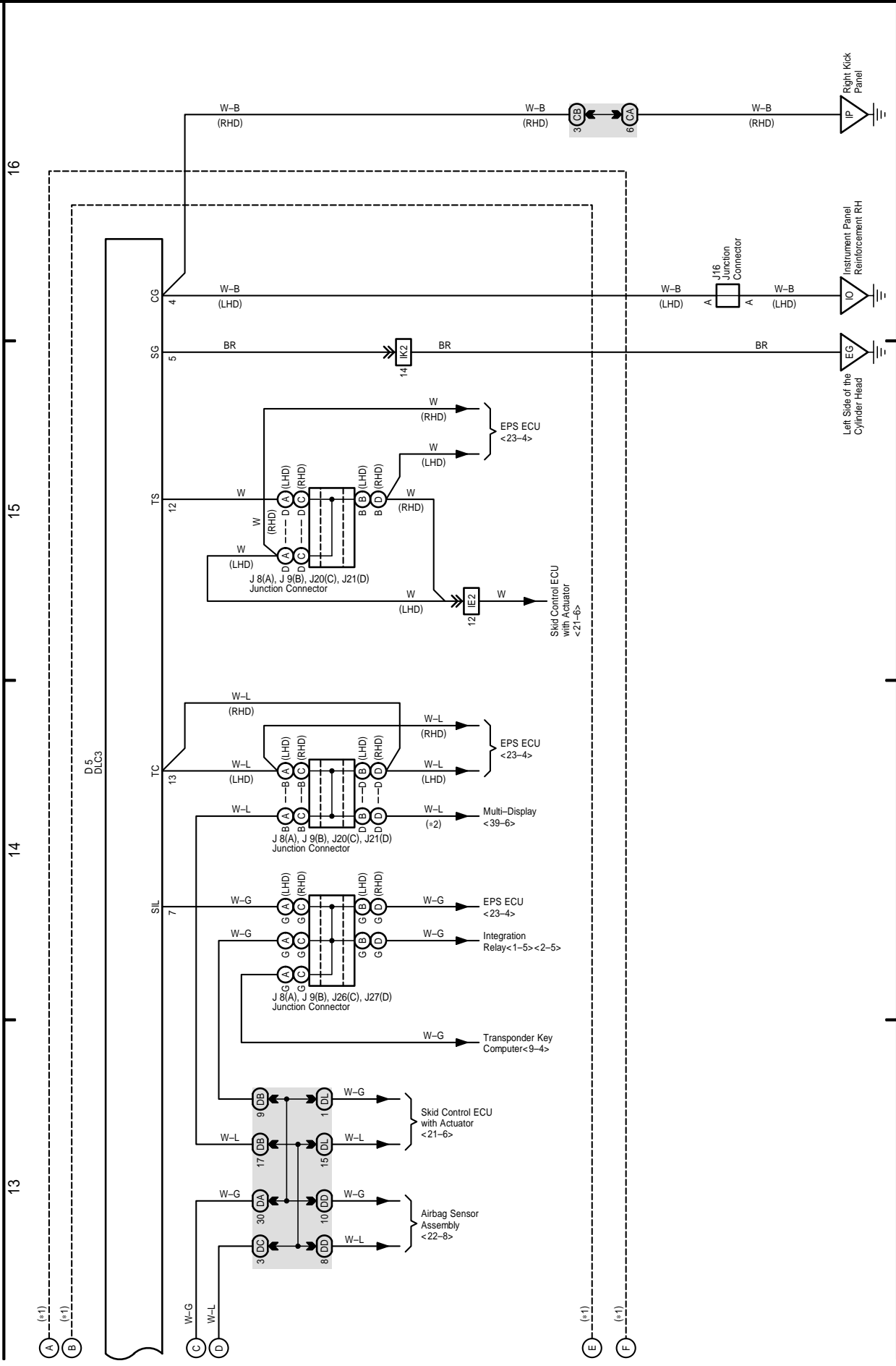
7 AVENSIS (Cont' d) (Cont. next page)



7 AVENSIS (Cont' d)

Engine Control (1ZZ-FE, 3ZZ-FE)

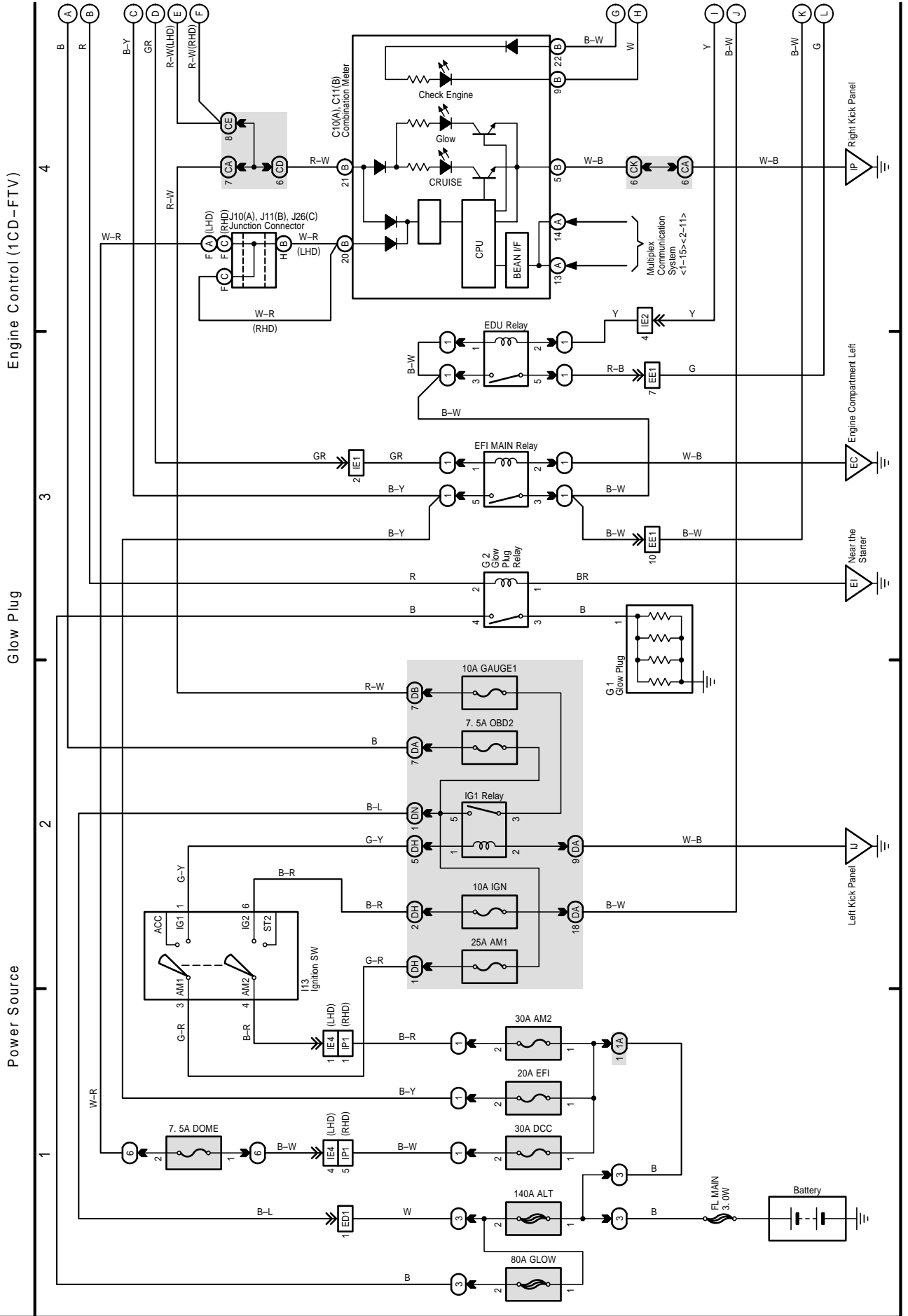
* 1 : Shielded
* 2 : Navigation System (Map Type)



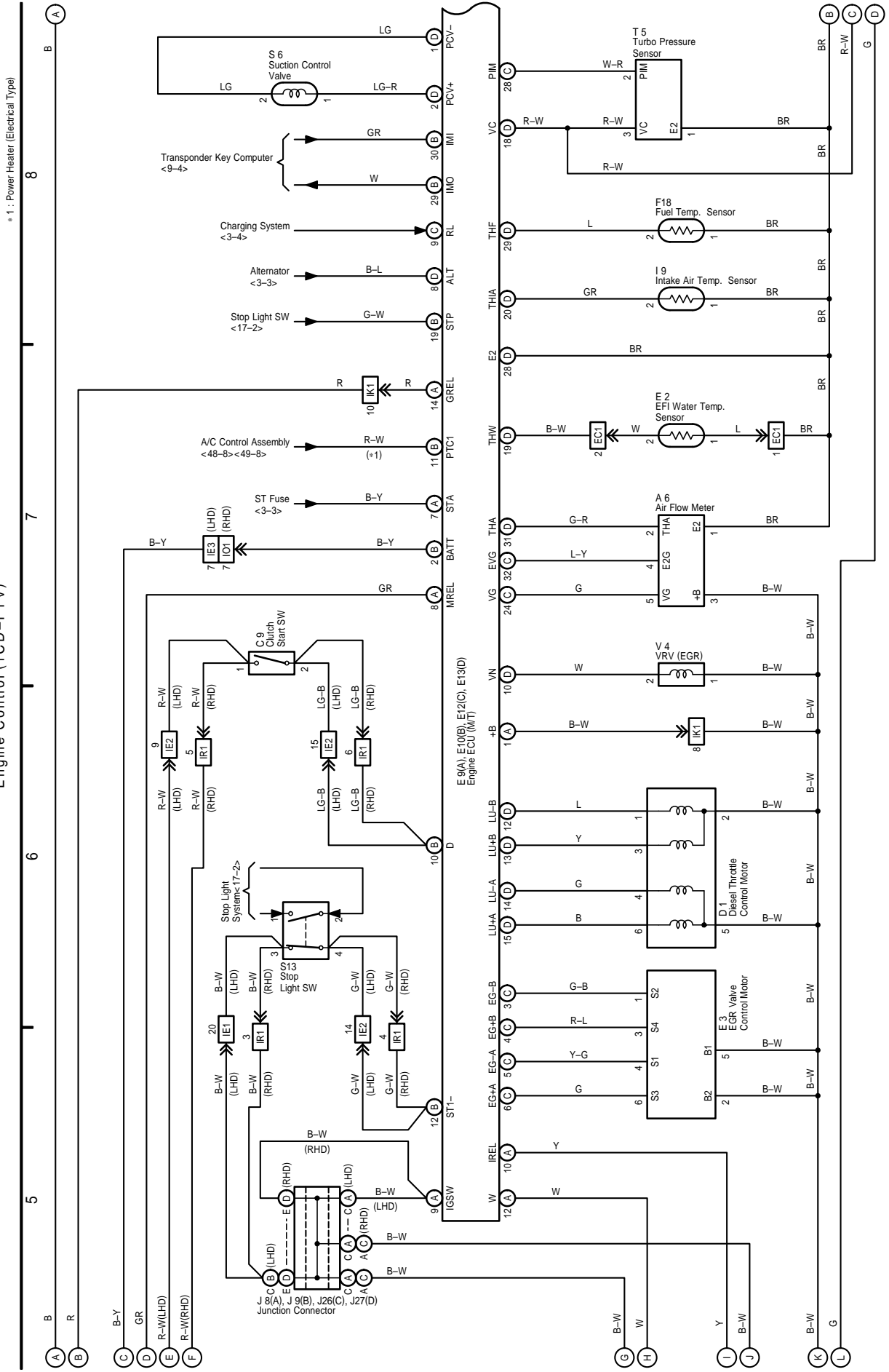
M OVERALL ELECTRICAL WIRING DIAGRAM

(Cont. next page)

8 AVENSIS

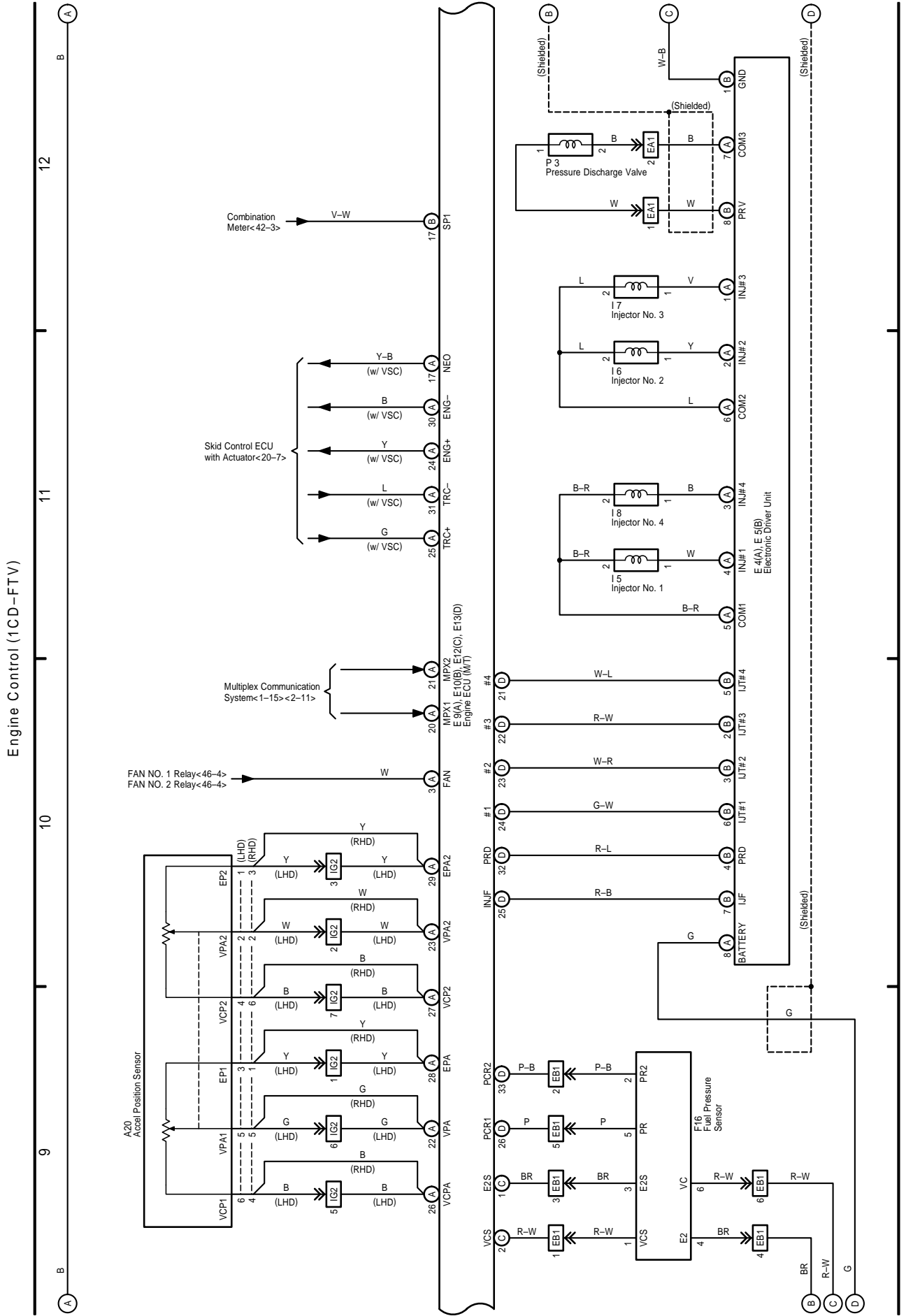


Engine Control (1CD-FTV)



M OVERALL ELECTRICAL WIRING DIAGRAM

8 AVENSIS (Cont' d) (Cont. next page)

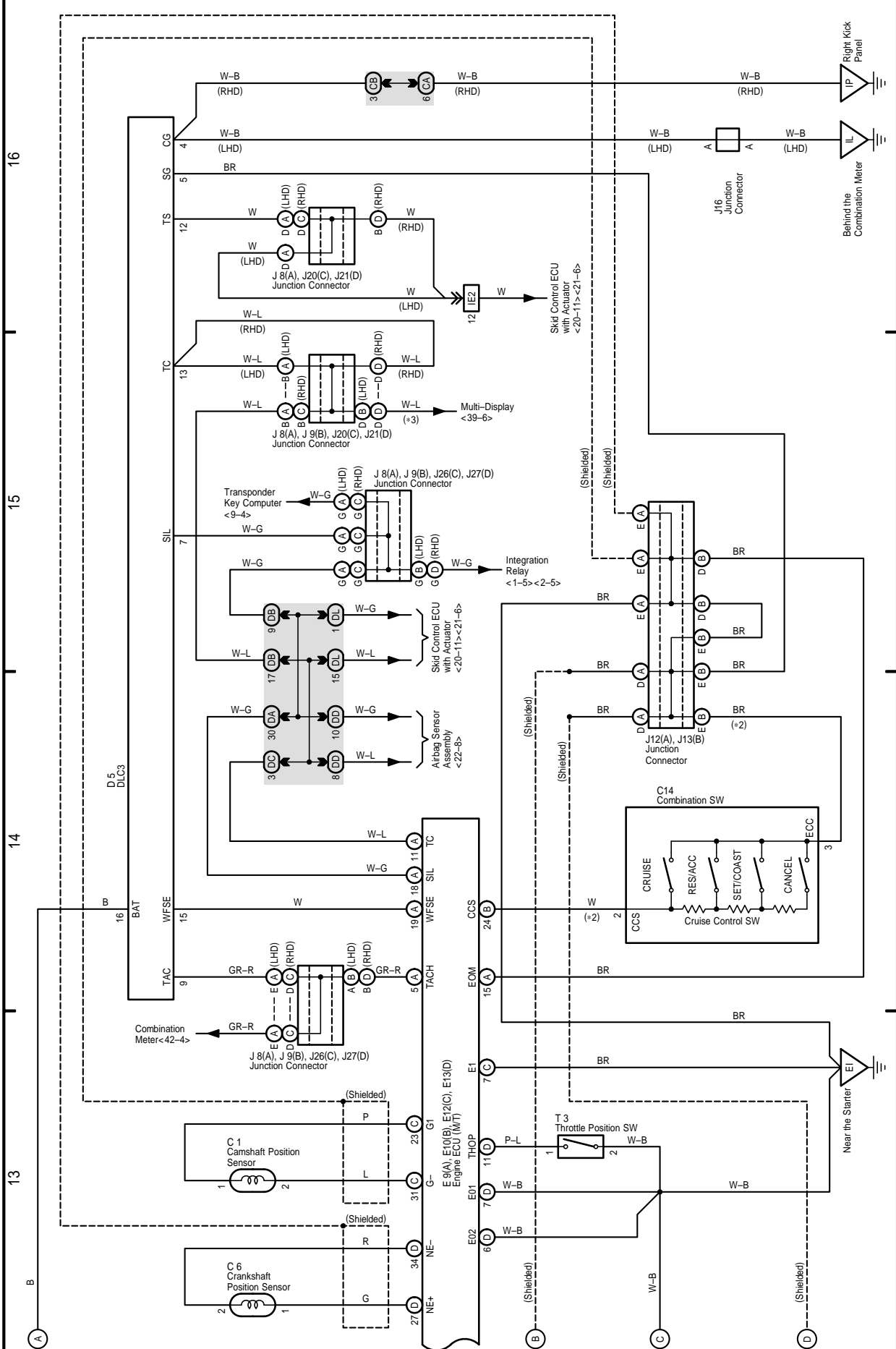


8 AVENSIS (Cont'd)

Engine Control (1CD-FTV)

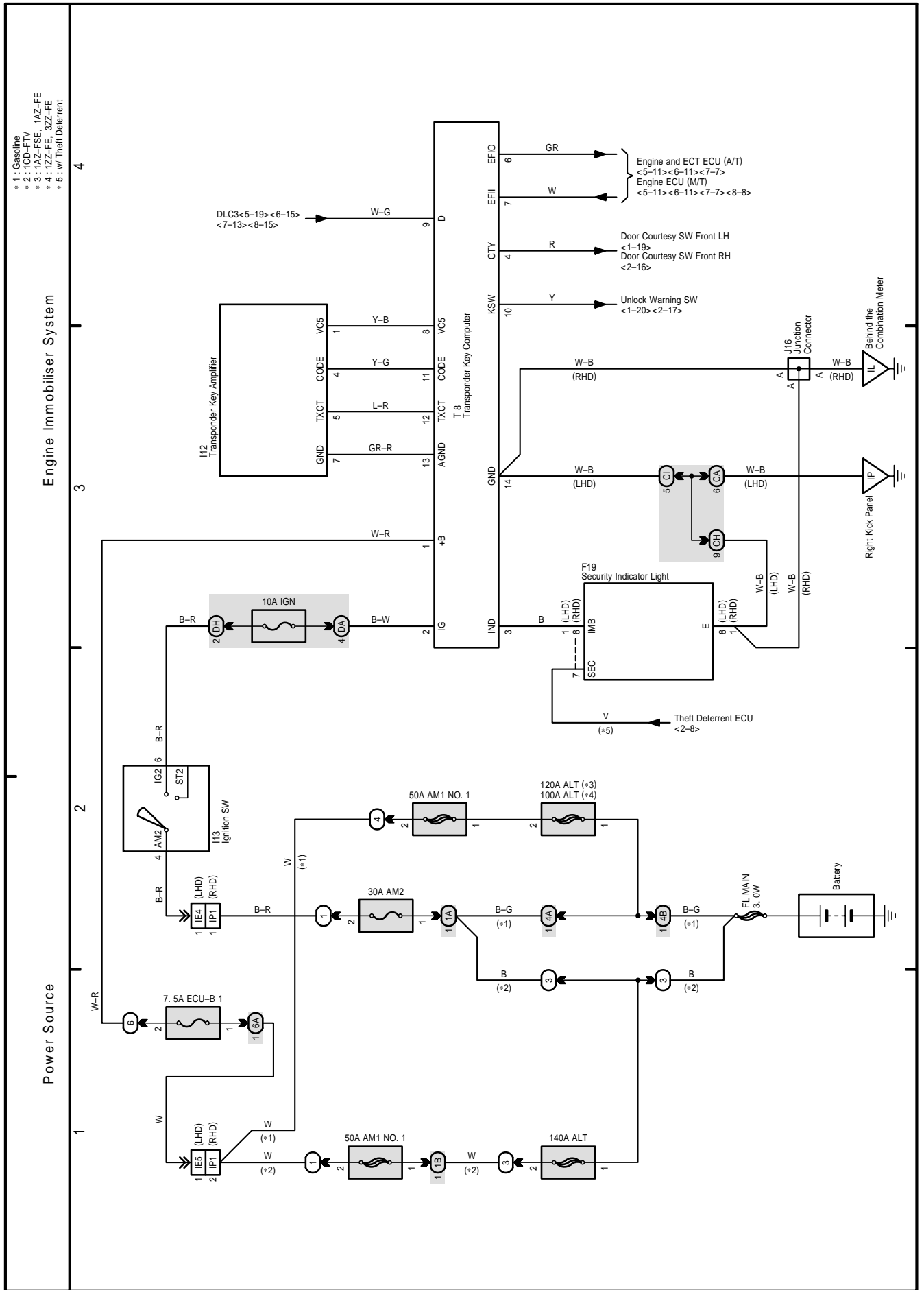
Cruise Control (1CD-FTV)

* 2 : w/ Cruise Control
* 3 : w/ Navigation System (Map Type)



M OVERALL ELECTRICAL WIRING DIAGRAM

9 AVENSIS



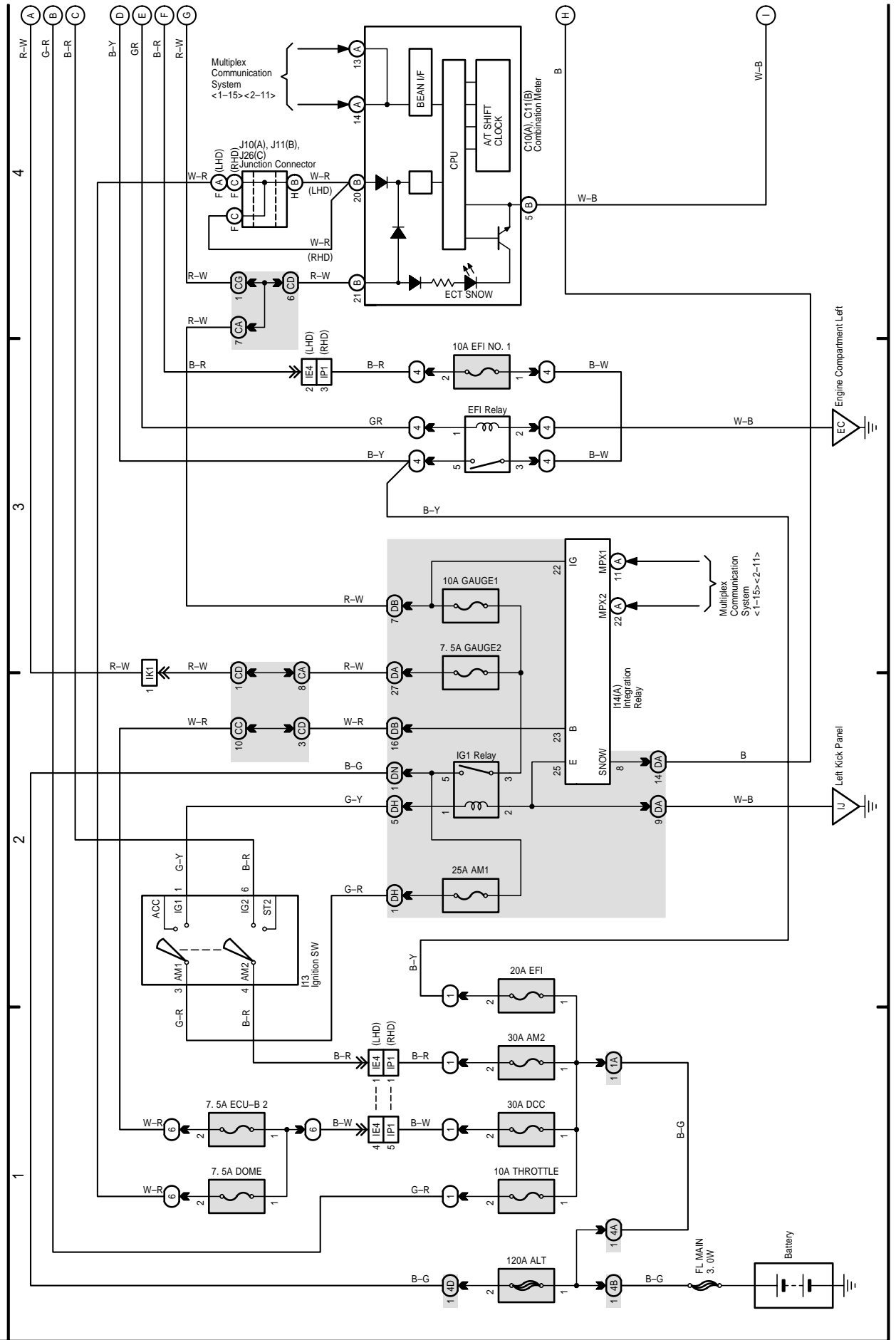
M OVERALL ELECTRICAL WIRING DIAGRAM

(Cont. next page)

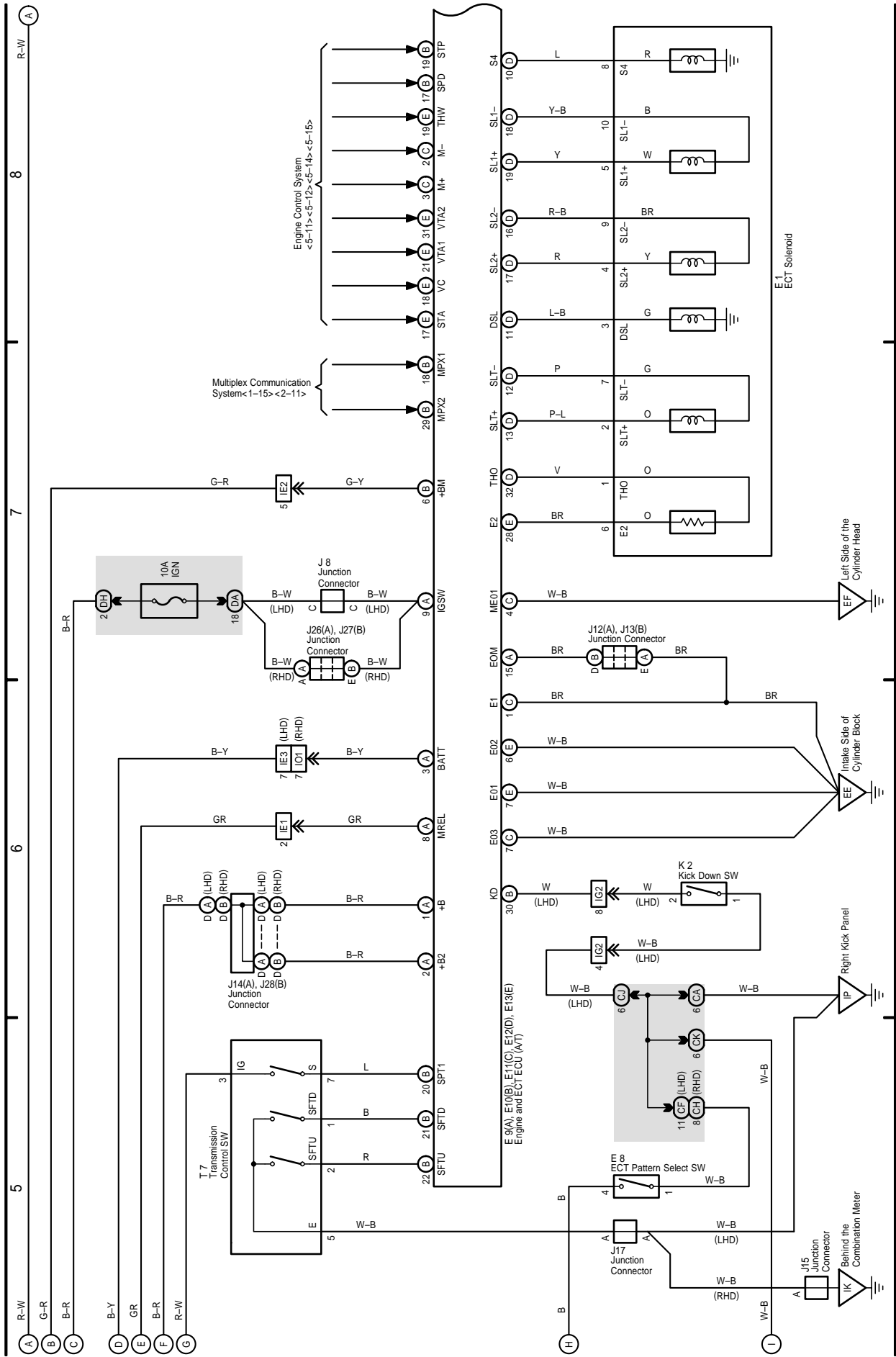
10 AVENSIS

ECT and A/T Indicator (1AZ-FSE)

Power Source



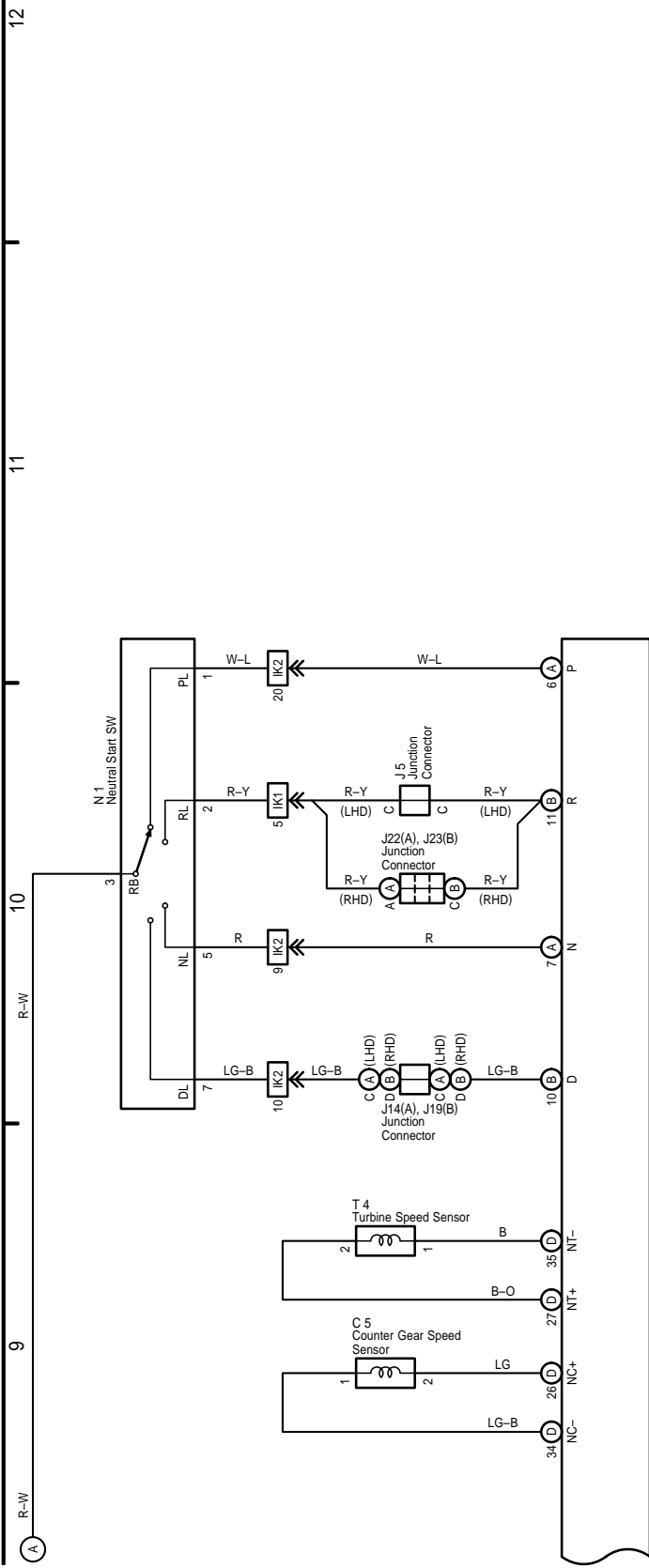
ECT and A/T Indicator (1AZ-FSE)



M OVERALL ELECTRICAL WIRING DIAGRAM

10 AVENSIS (Cont' d)

ECT and A/T Indicator (1AZ-FSE)



E 9(A), E10(B), E11(C), E12(D), E13(E)
Engine and ECT/ECU (A/T)

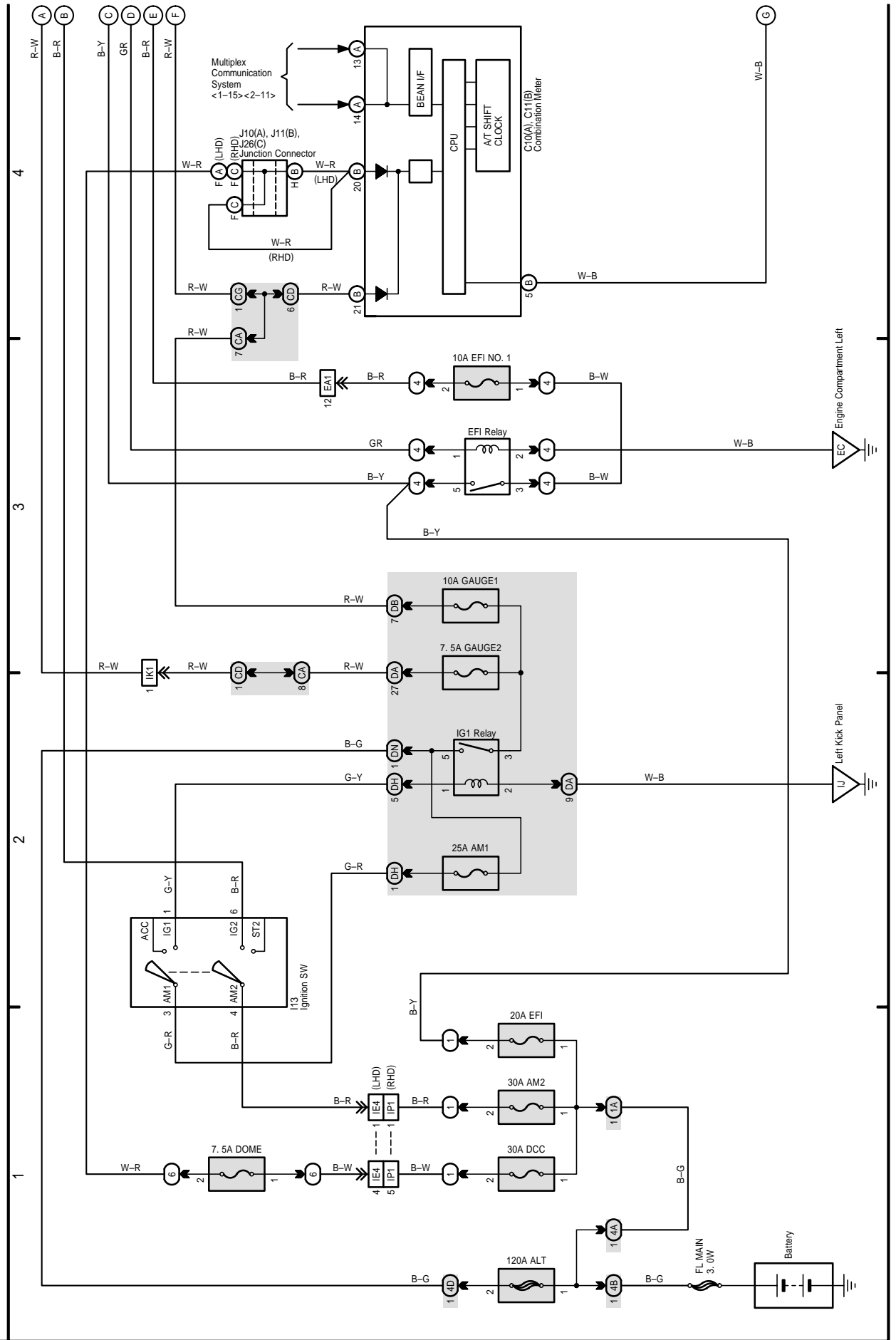
M OVERALL ELECTRICAL WIRING DIAGRAM

(Cont. next page)

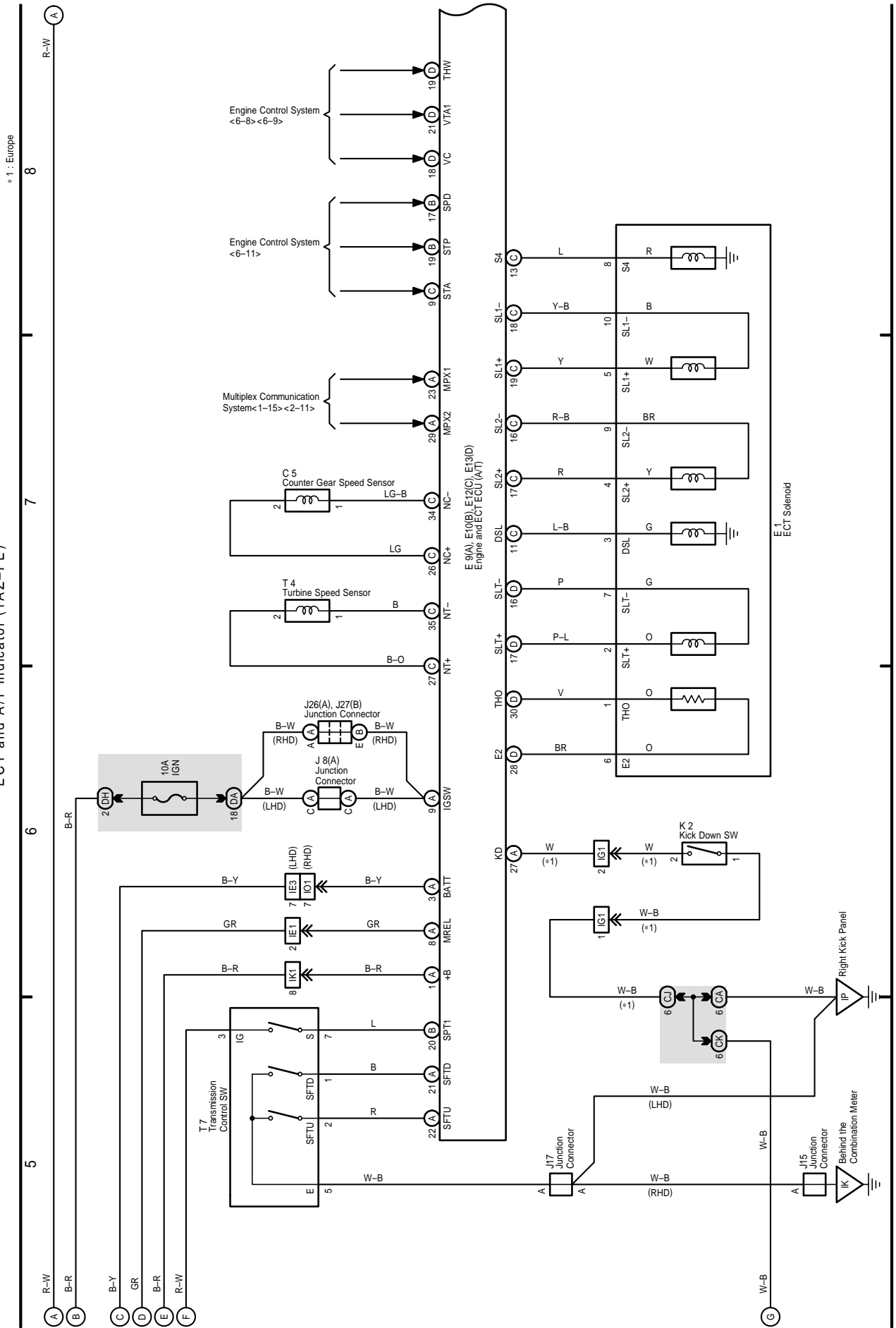
11 AVENSIS

ECT and A/T Indicator (1AZ-FE)

Power Source



ECT and A/T Indicator (1AZ-FE)

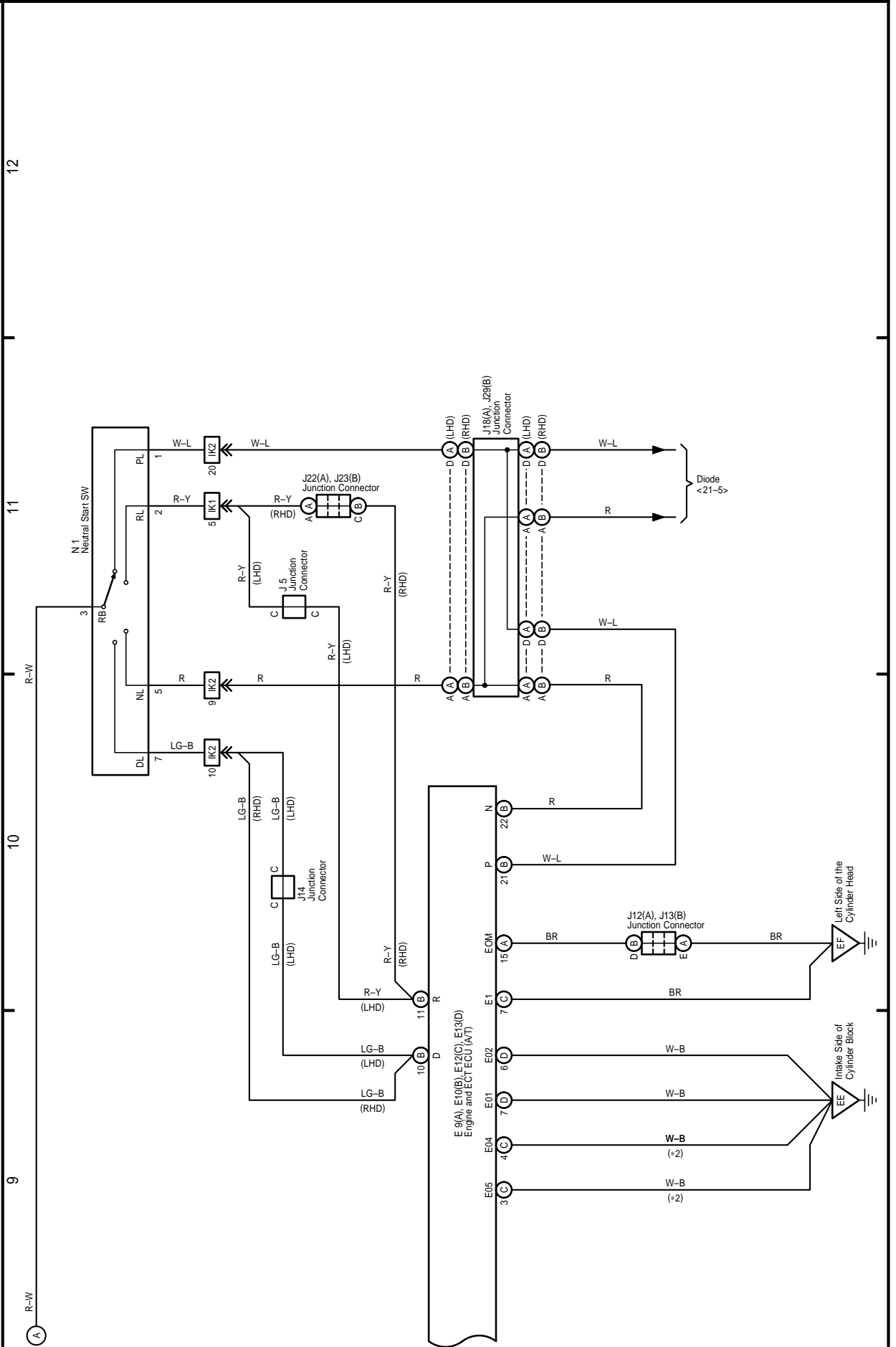


M OVERALL ELECTRICAL WIRING DIAGRAM

11 AVENSIS (Cont' d)

ECT and A/T Indicator (1AZ-FE)

* 2 : Unleaded Gasoline



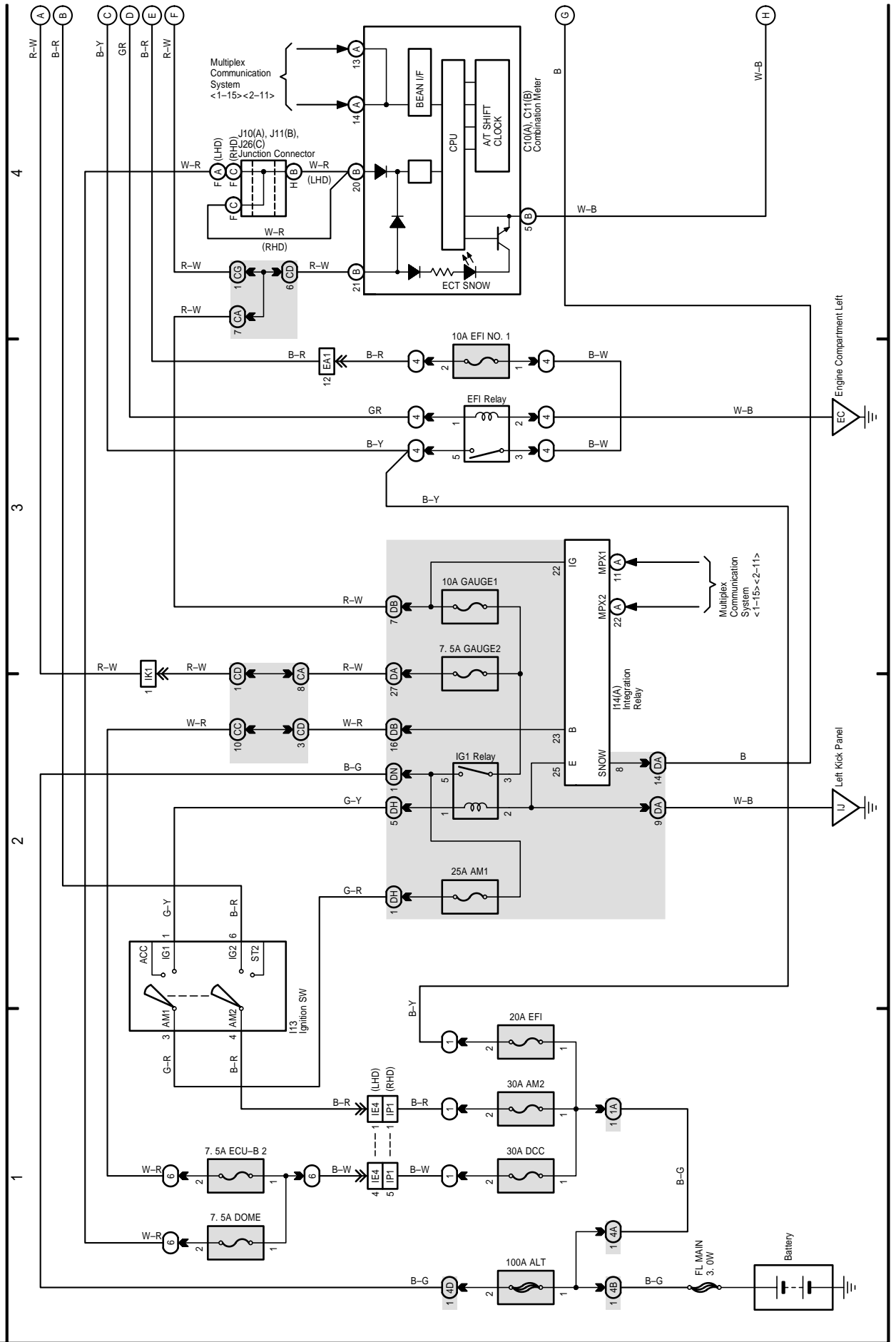
M OVERALL ELECTRICAL WIRING DIAGRAM

(Cont. next page)

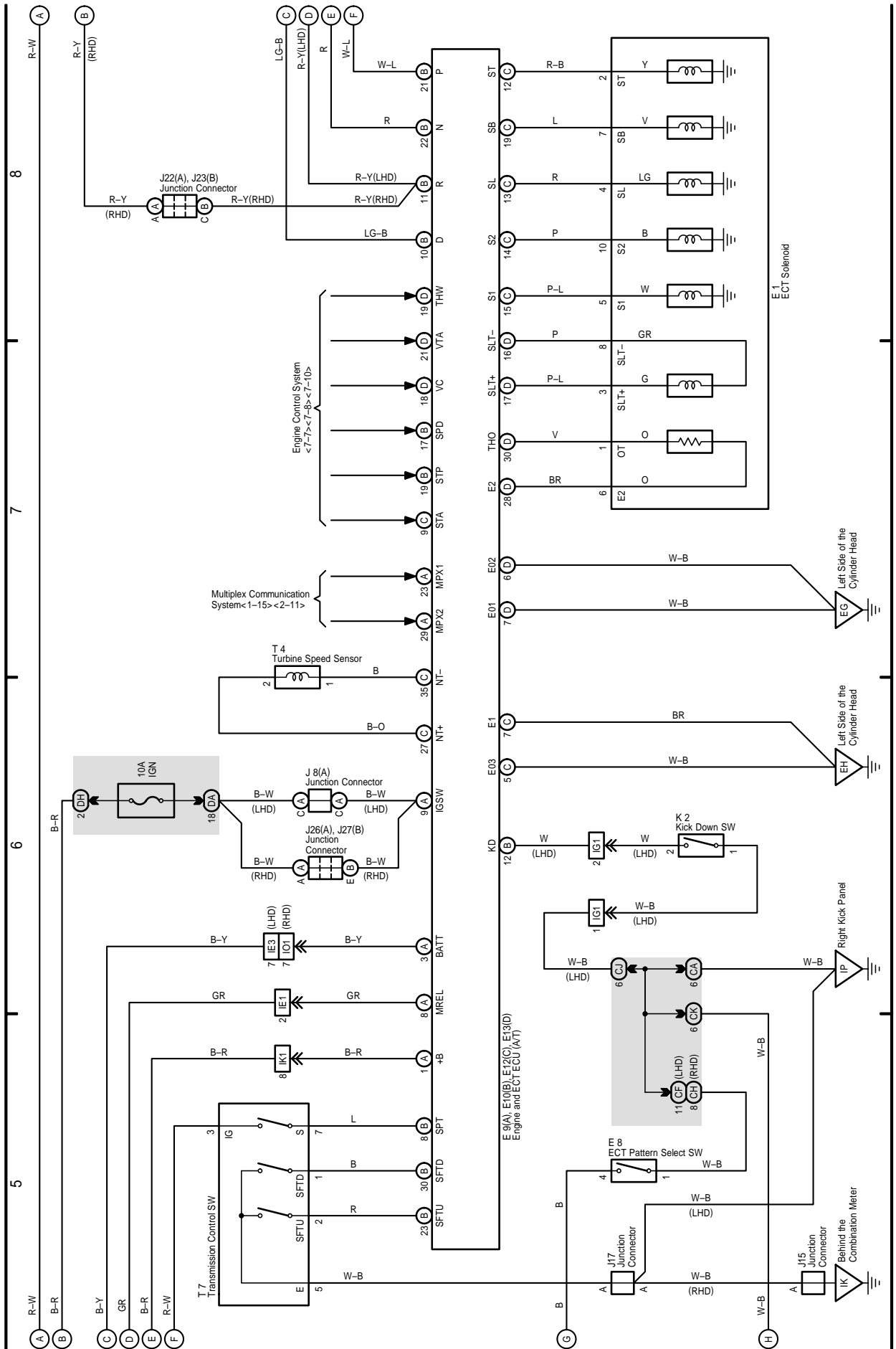
12 AVENSIS

ECT and A/T Indicator (1ZZ-FE)

Power Source



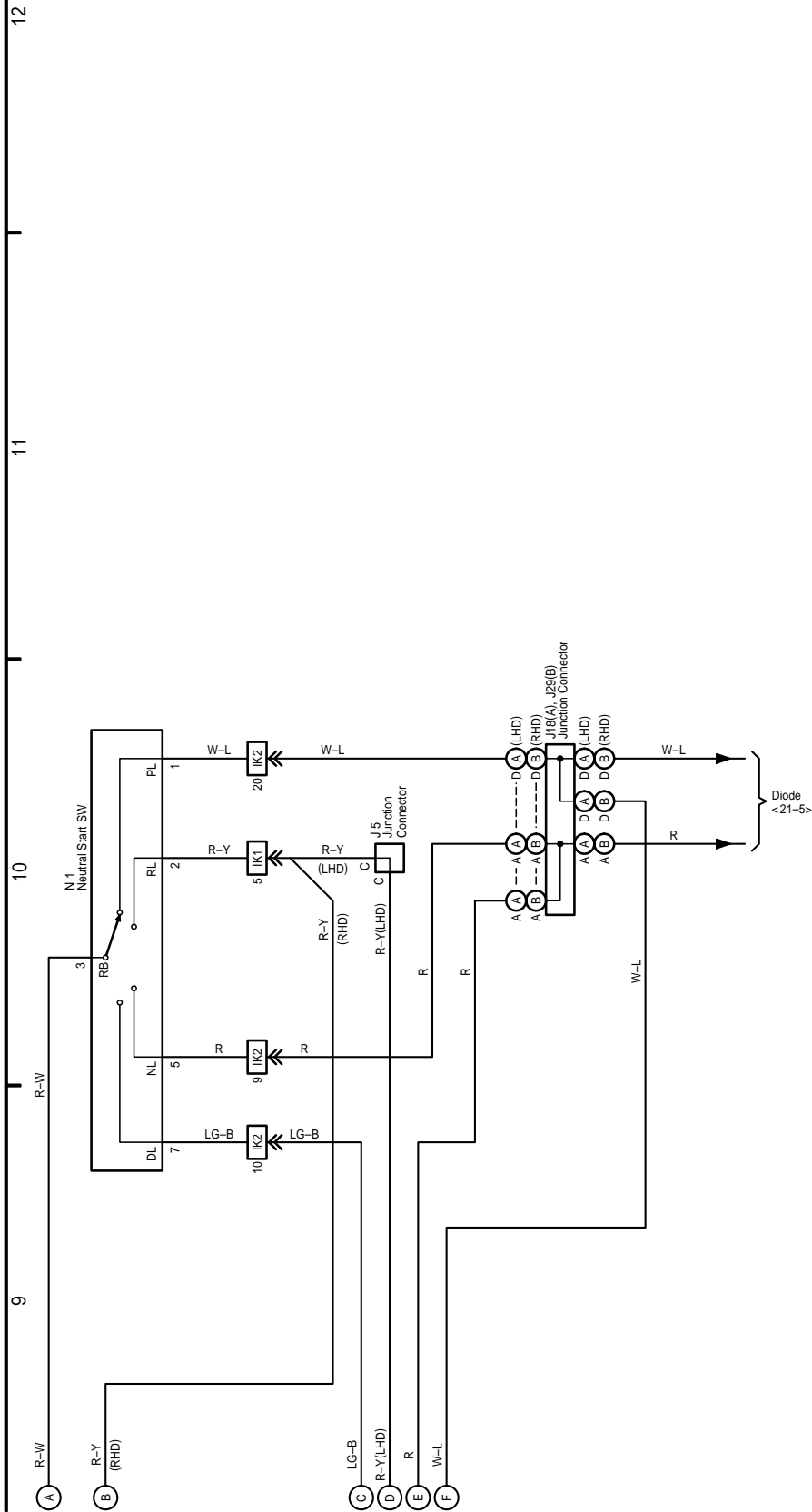
ECT and A/T Indicator (1ZZ-FE)



M OVERALL ELECTRICAL WIRING DIAGRAM

12 AVENSIS (Cont' d)

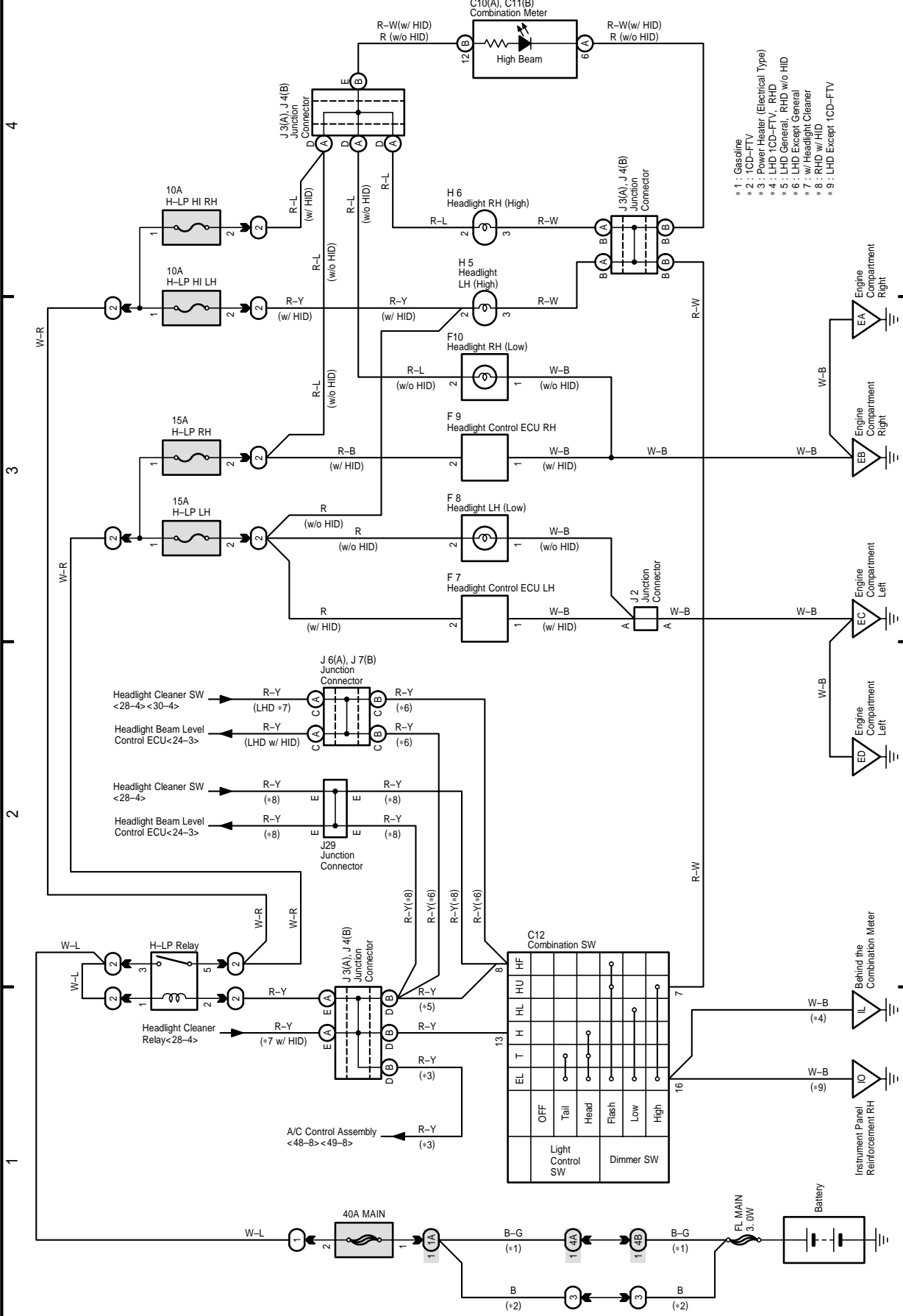
ECT and A/T Indicator (1ZZ-FE)



13 AVENSIS

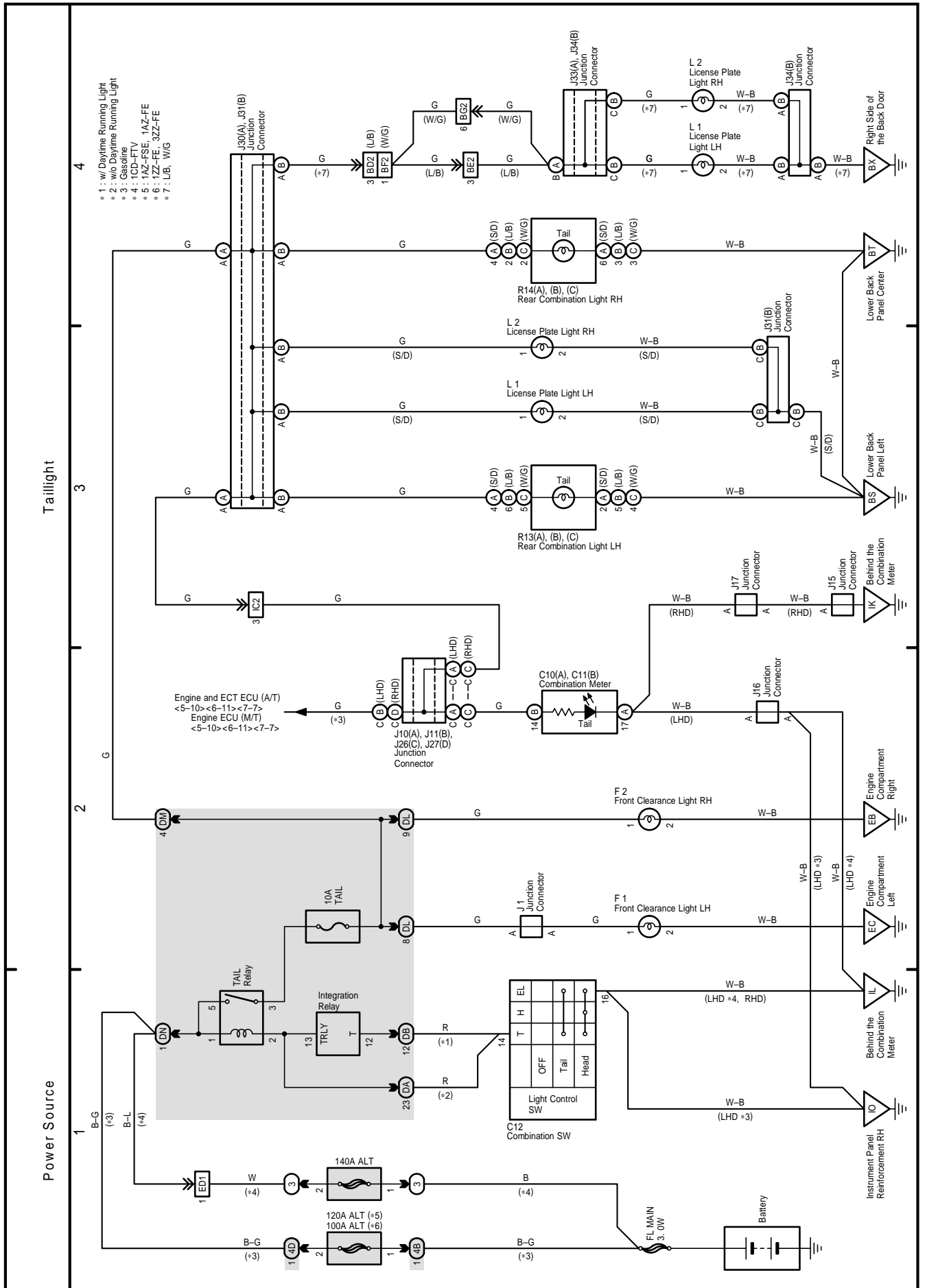
Power Source

Headlight (w/o Daytime Running Light)



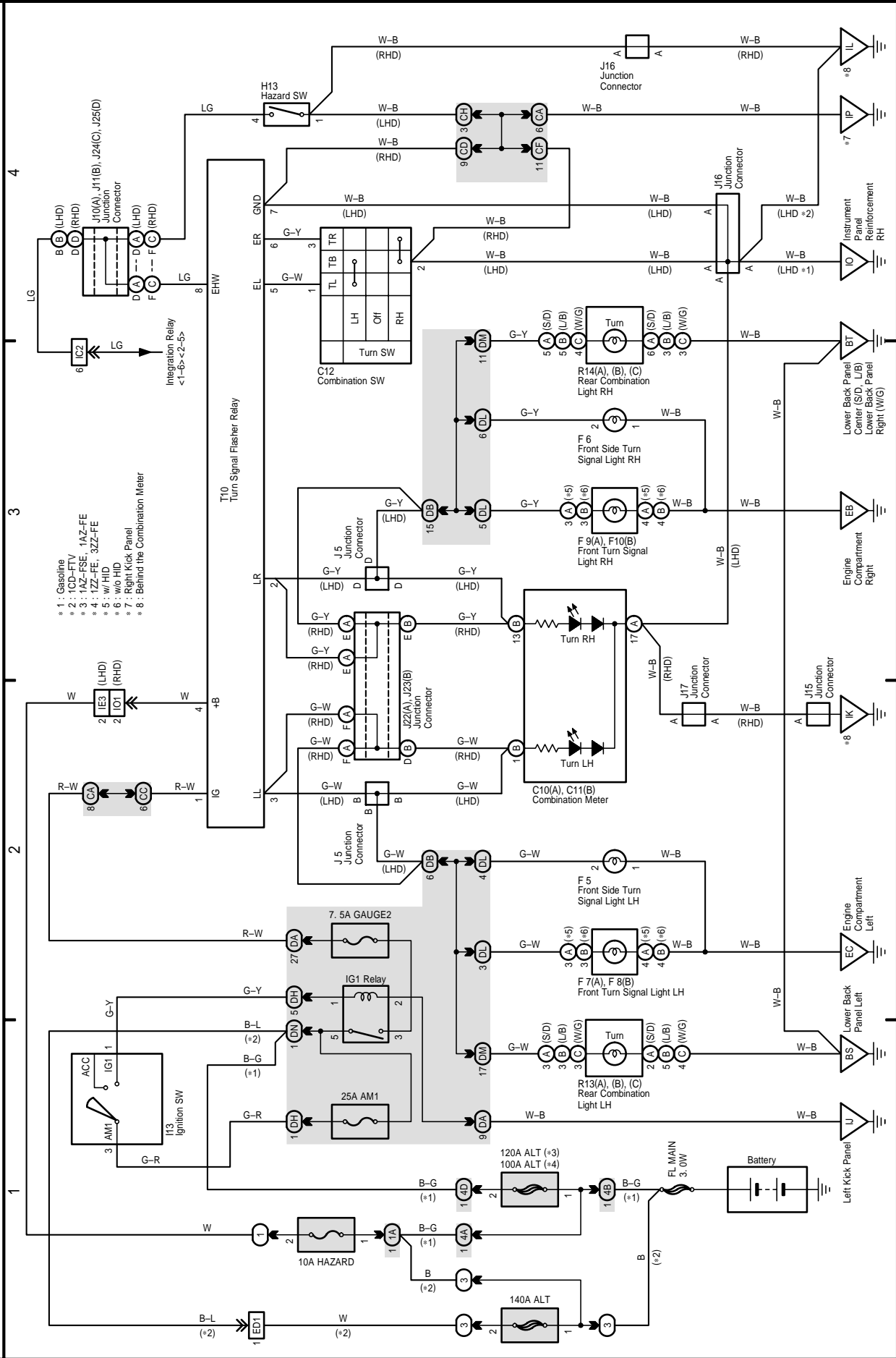
M OVERALL ELECTRICAL WIRING DIAGRAM

14 AVENSIS



15 AVENSIS

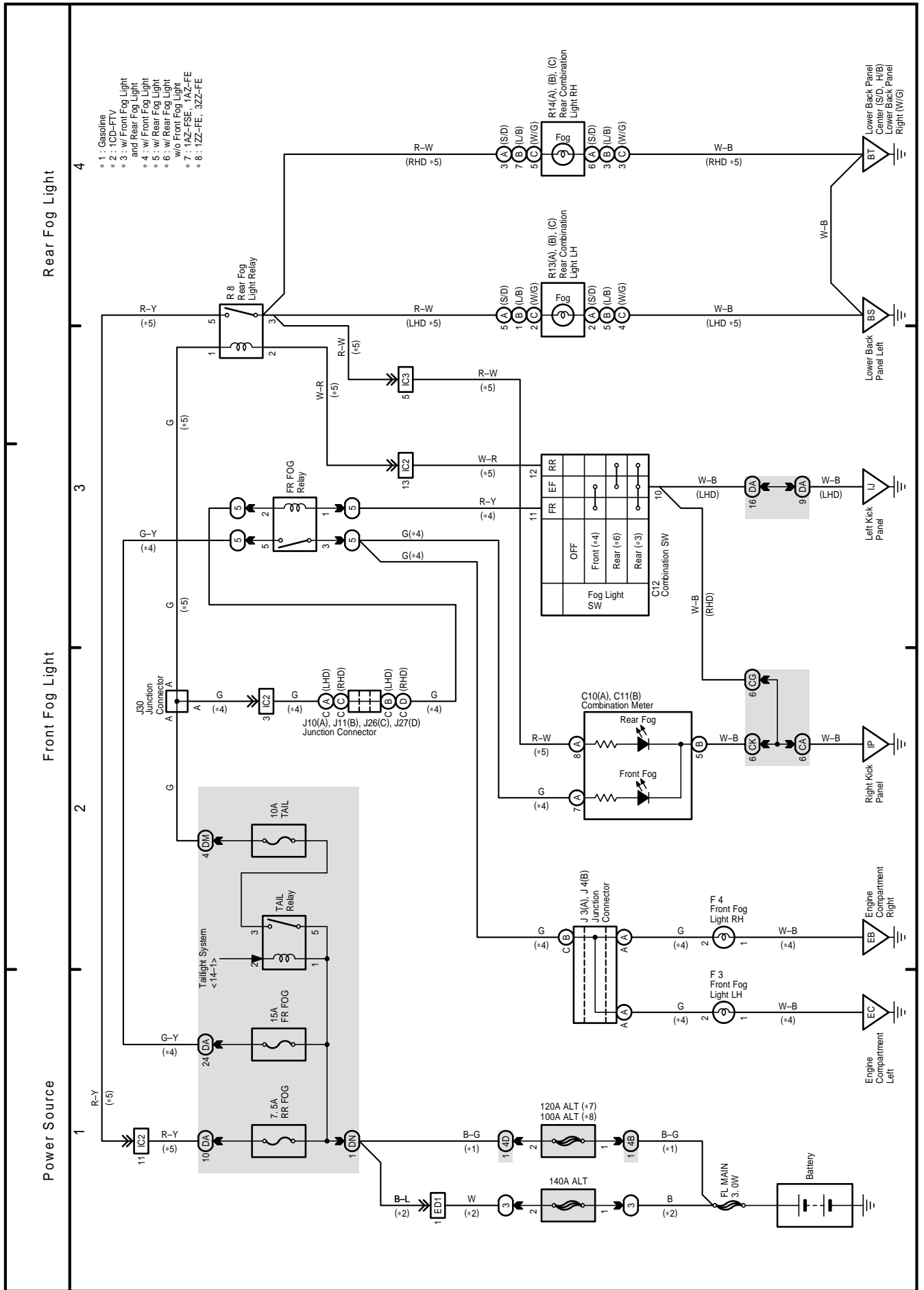
Turn Signal and Hazard Warning Light



- * 1 : Gasoline
- * 2 : ICD-FTV
- * 3 : 1AZ-FSE, 1AZ-FE
- * 4 : 1ZZ-FE, 3ZZ-FE
- * 5 : w/ HID
- * 6 : w/o HID
- * 7 : Right Kick Panel
- * 8 : Behind the Combination Meter

M OVERALL ELECTRICAL WIRING DIAGRAM

16 AVENSIS



17 AVENSIS

Power Source

Stop Light

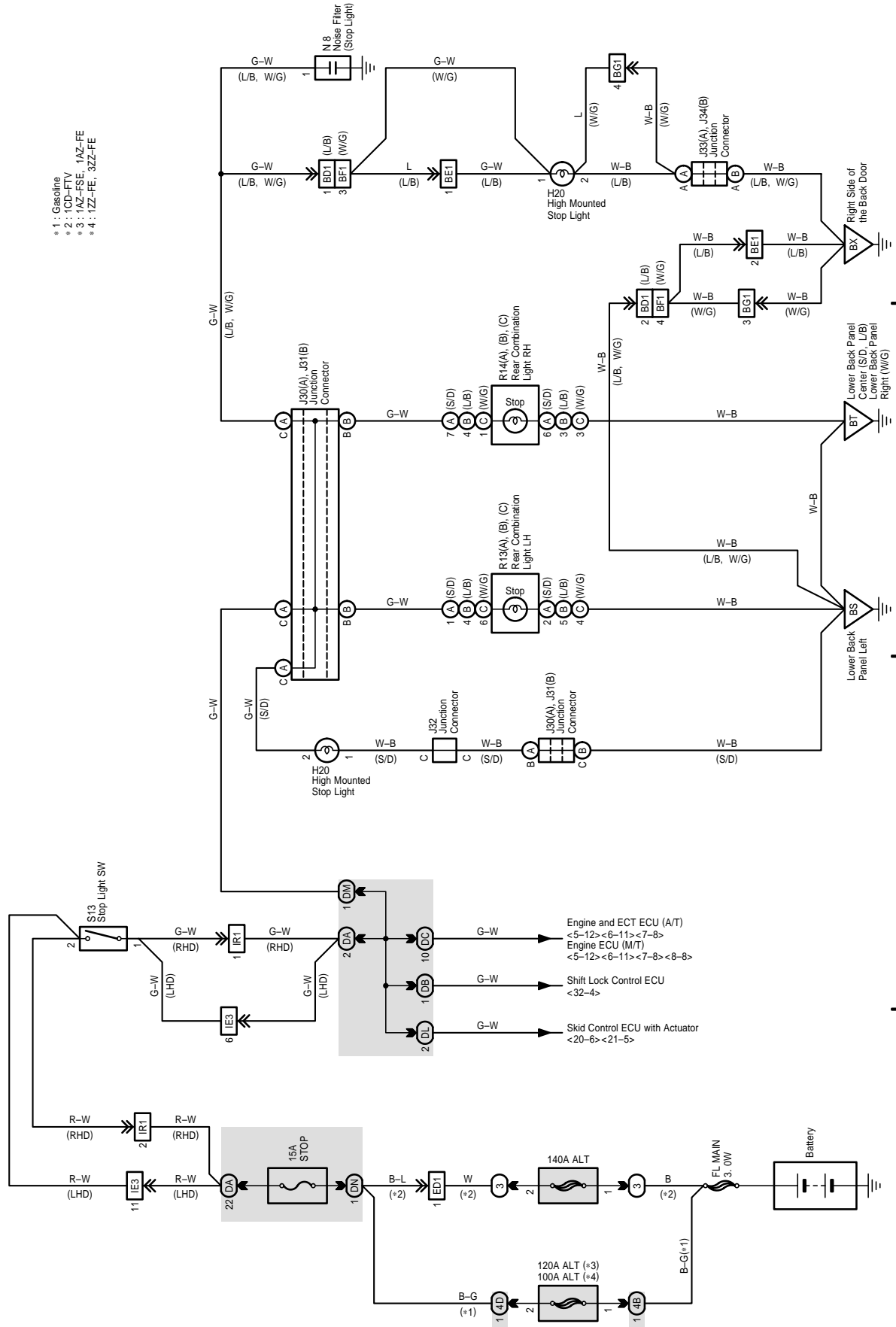
4

3

2

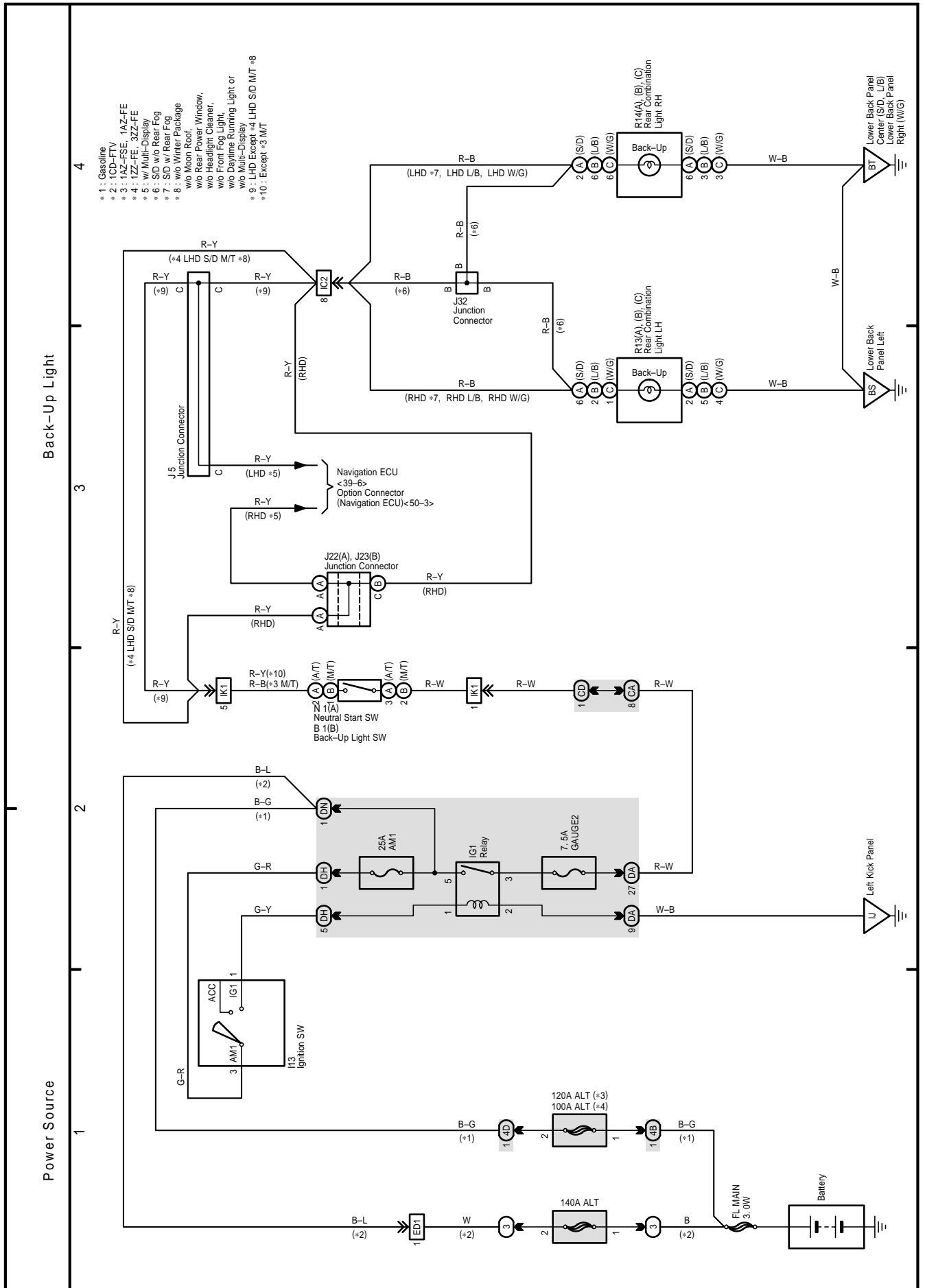
1

- * 1 : Gasoline
- * 2 : 1CD-FTV
- * 3 : 1AZ-FSE, 1AZ-FE
- * 4 : 1ZZ-FE, 3ZZ-FE

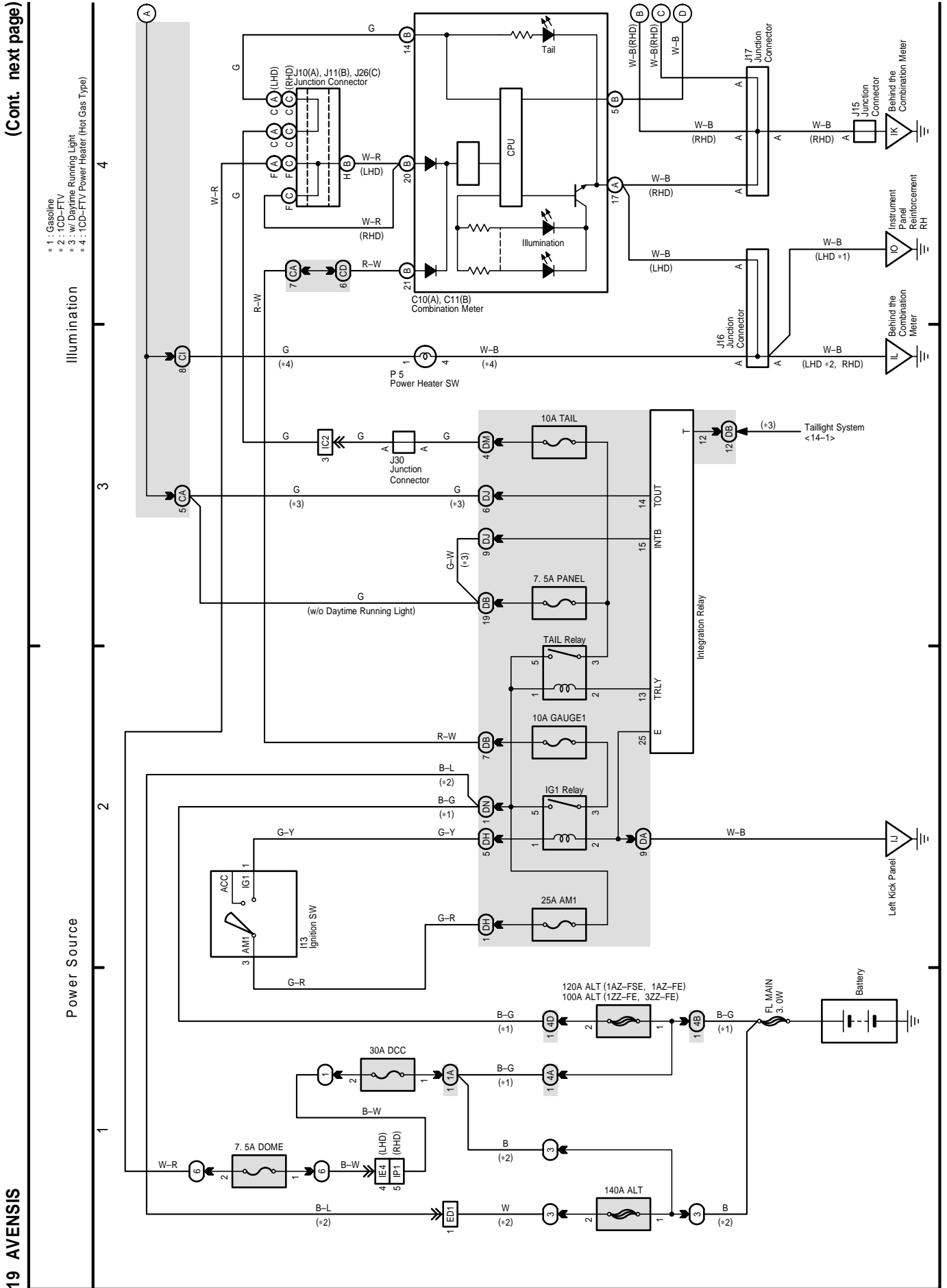


M OVERALL ELECTRICAL WIRING DIAGRAM

18 AVENSIS

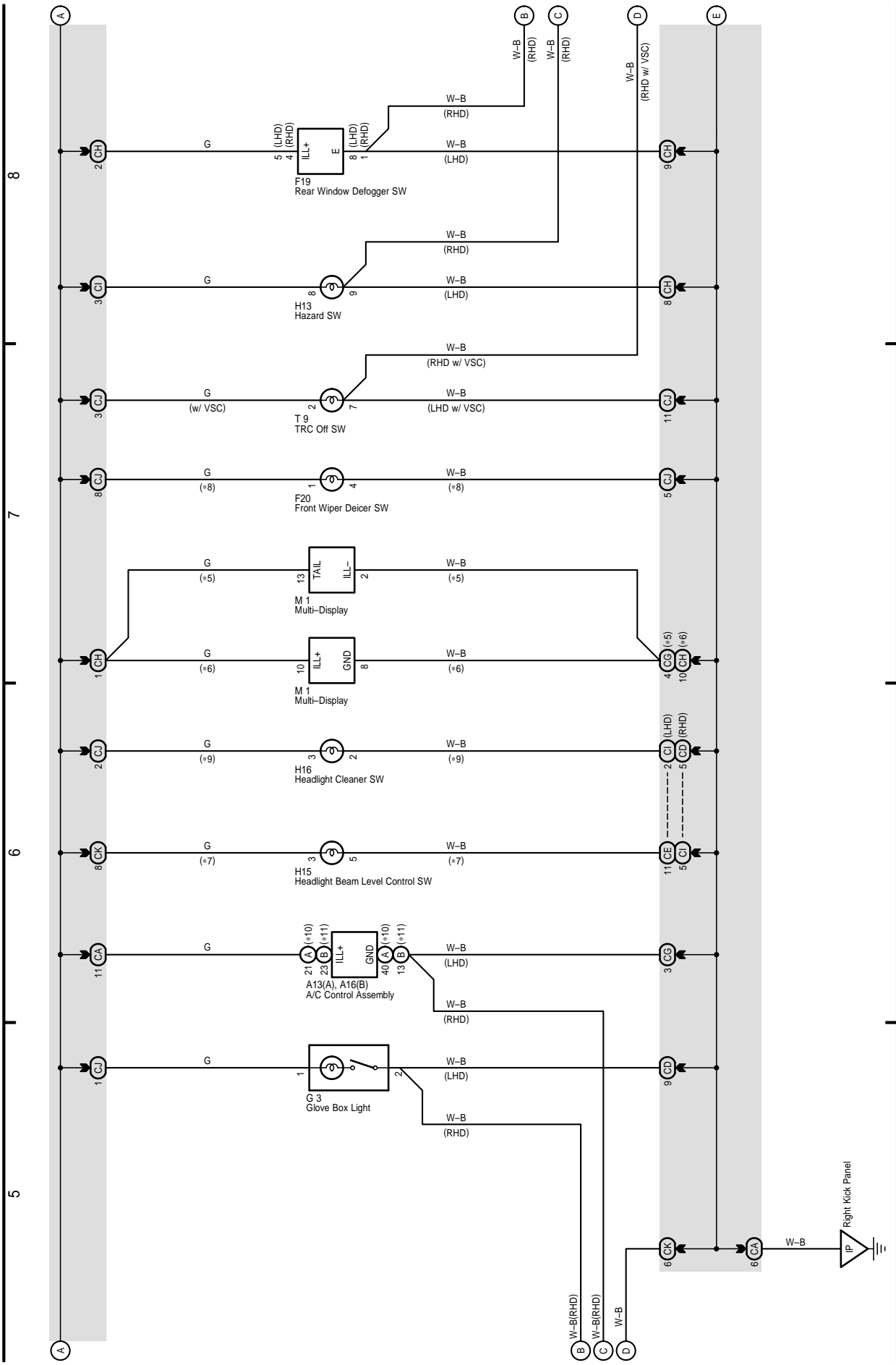


M OVERALL ELECTRICAL WIRING DIAGRAM



- * 5 : w/ Navigation System (Map Type)
- * 6 : w/o Navigation System (Map Type)
- * 7 : w/ Headlight Beam Level Control w/o HID
- * 8 : w/ Front Window Deicer
- * 9 : w/ Headlight Cleaner
- * 10 : Except Automatic A/C
- * 11 : Automatic A/C

Illumination

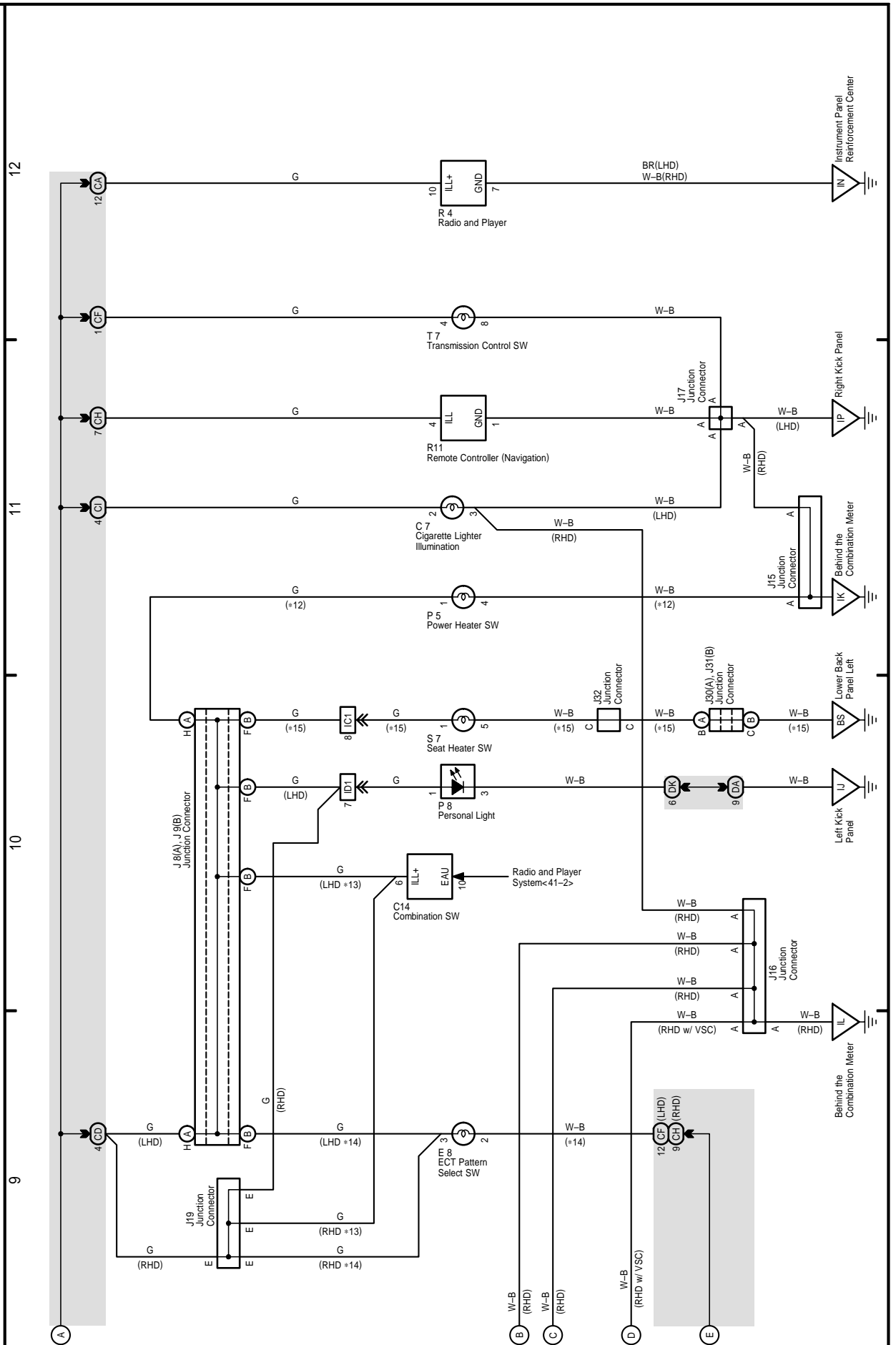


M OVERALL ELECTRICAL WIRING DIAGRAM

19 AVENSIS (Cont' d)

- *12: Power Heater (Combustion Type)
- *13: w/ Steering SW
- *14: A/T Except 1AZ-FE
- *15: w/ Seat Heater

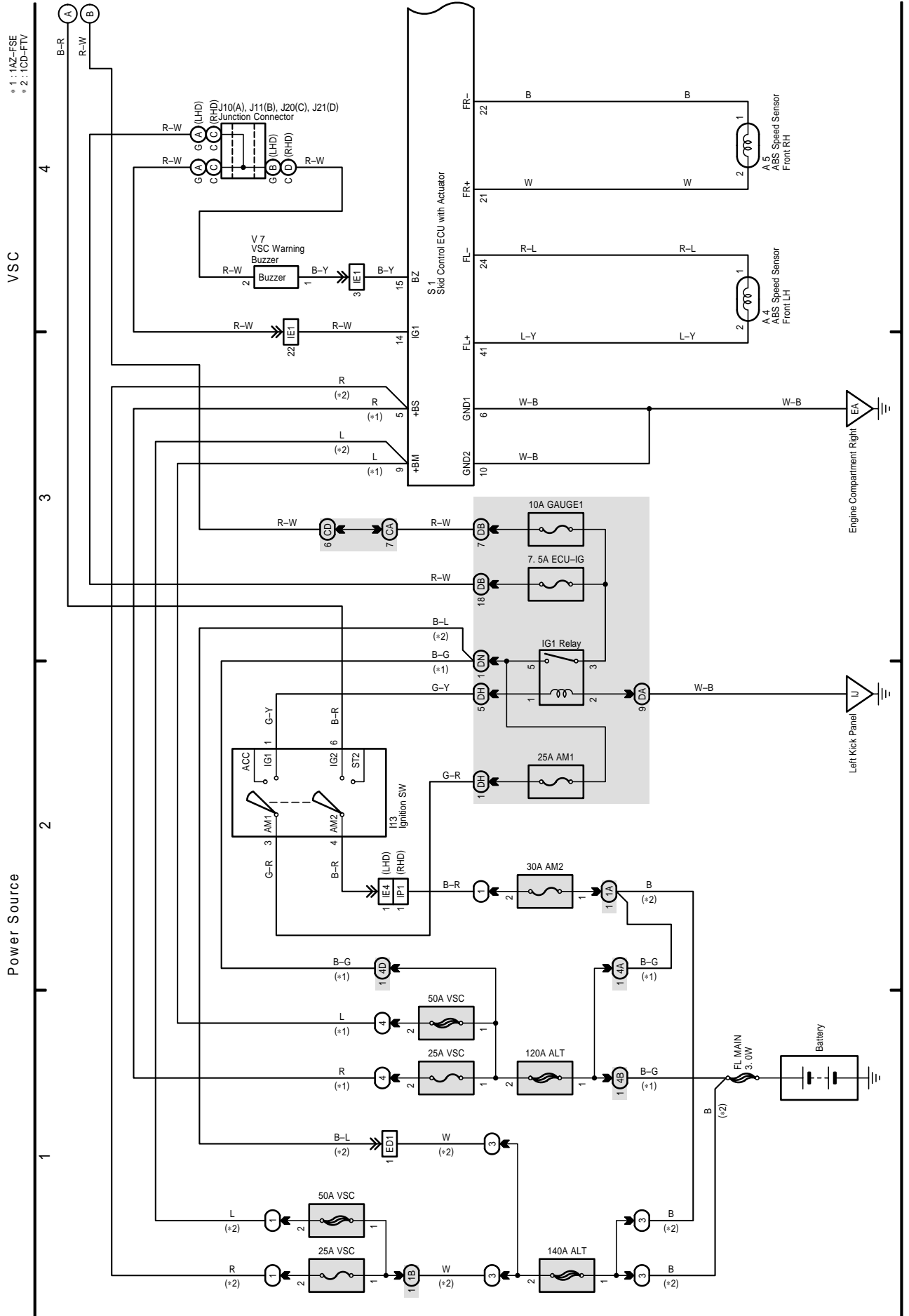
Illumination



M OVERALL ELECTRICAL WIRING DIAGRAM

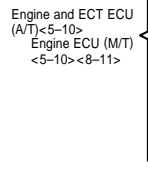
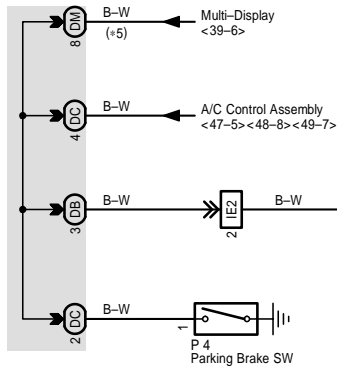
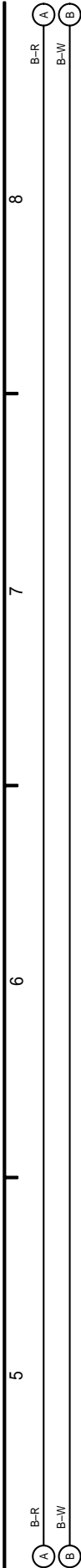
20 AVENSIS

(Cont. next page)

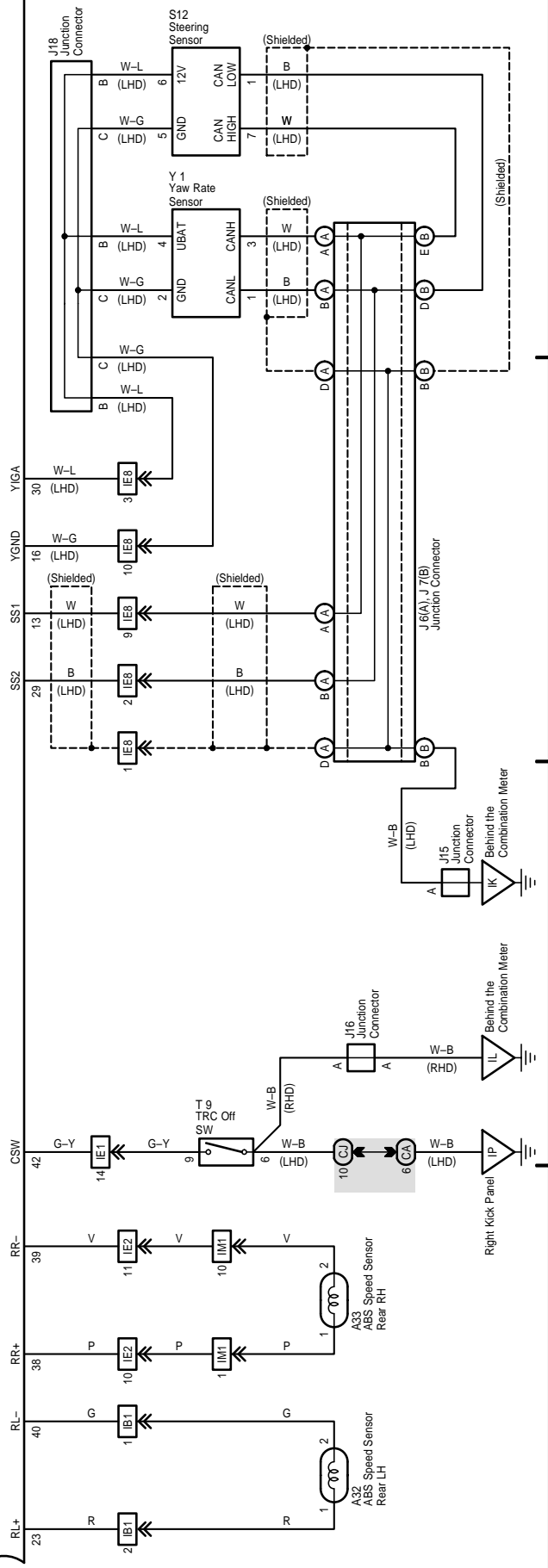


- * 3 : RHD 1AZ-FSE
- * 4 : Except RHD 1AZ-FSE
- * 5 : w/ Navigation System (Map Type)

VSC



S 1 Skid Control ECU with Actuator

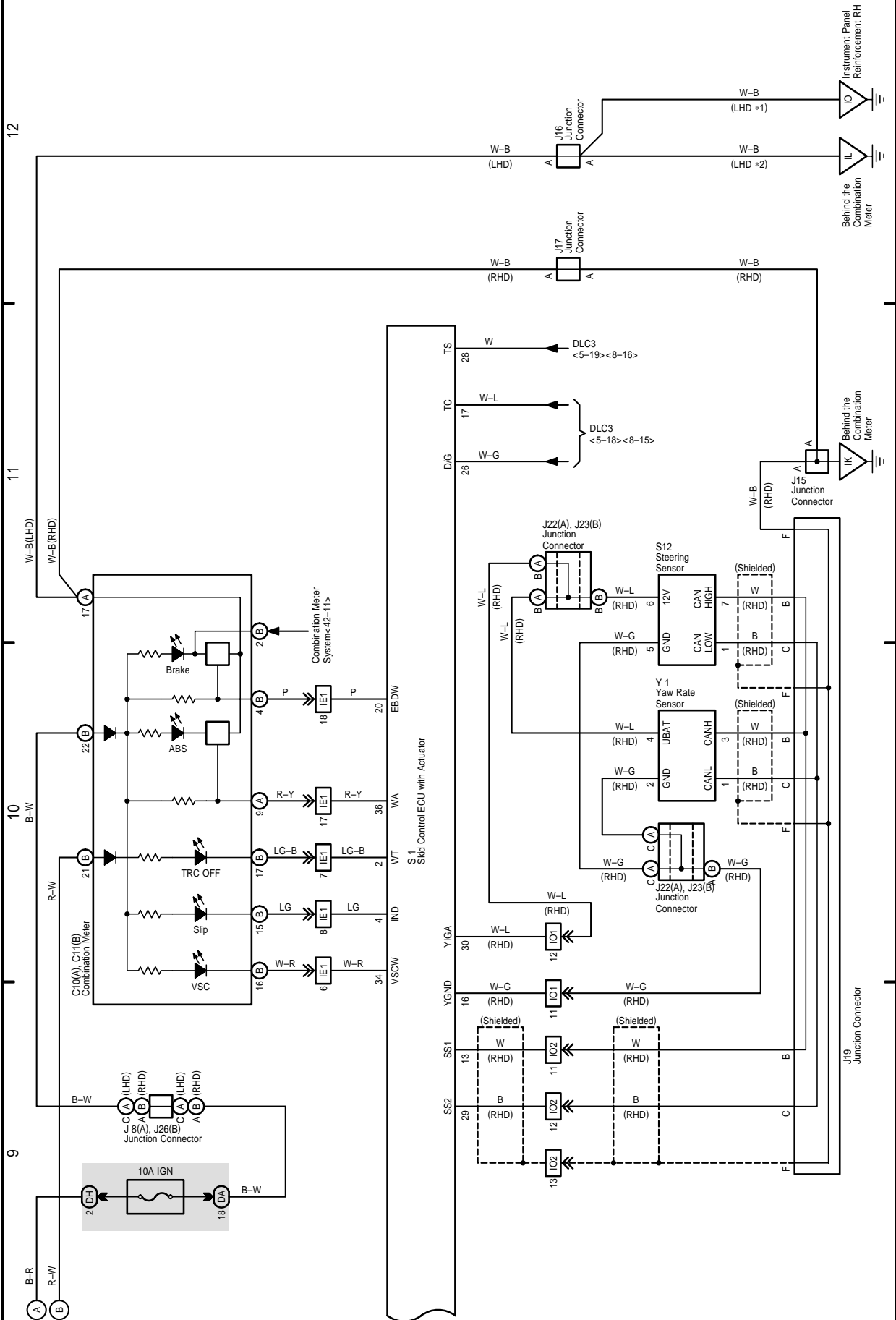


M OVERALL ELECTRICAL WIRING DIAGRAM

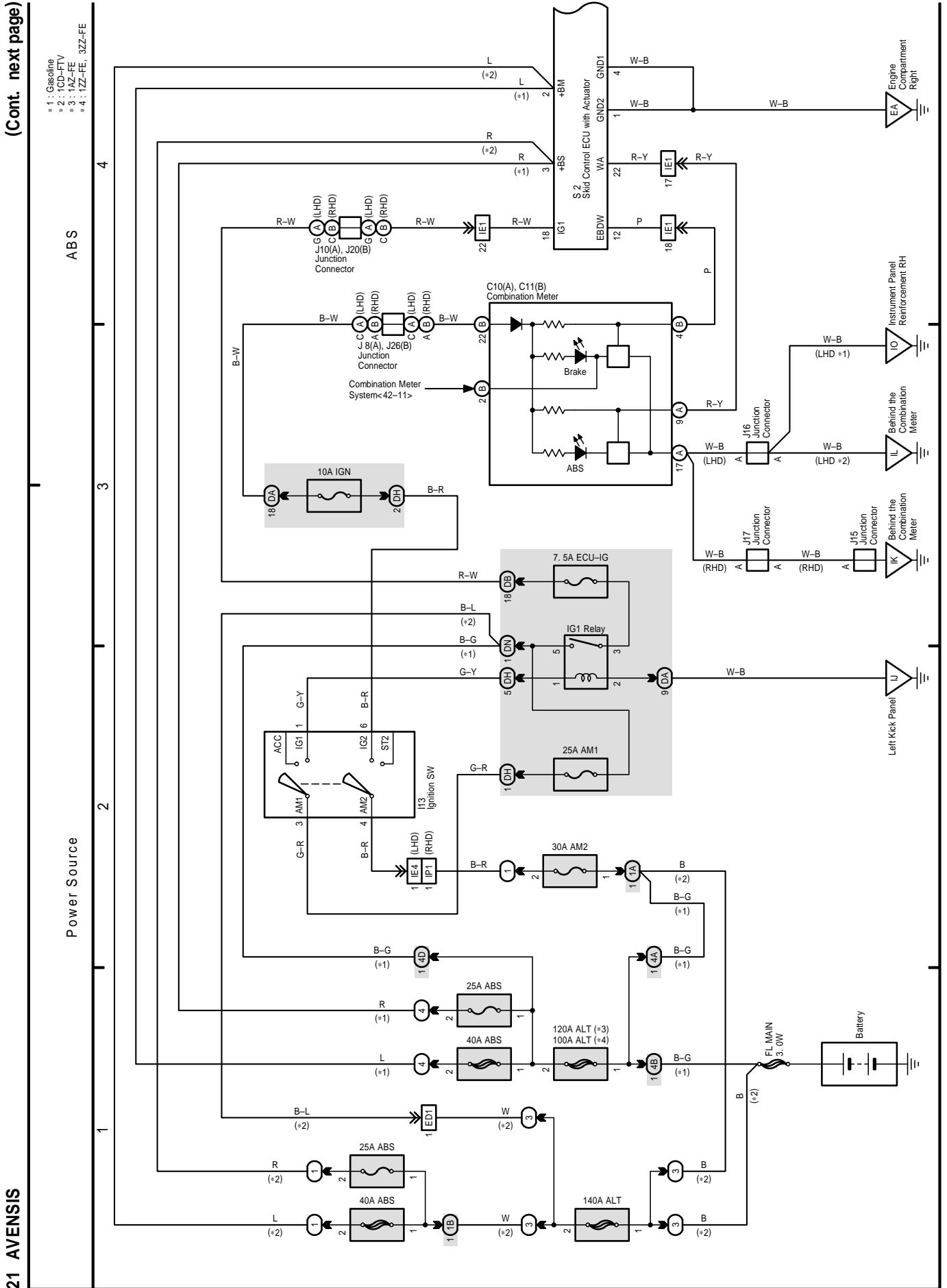
20 AVENSIS (Cont' d)

* 1 : 1AZ-FSE
* 2 : 1CD-FTV

VSC



M OVERALL ELECTRICAL WIRING DIAGRAM



* 5 : Navigation System (Map Type)

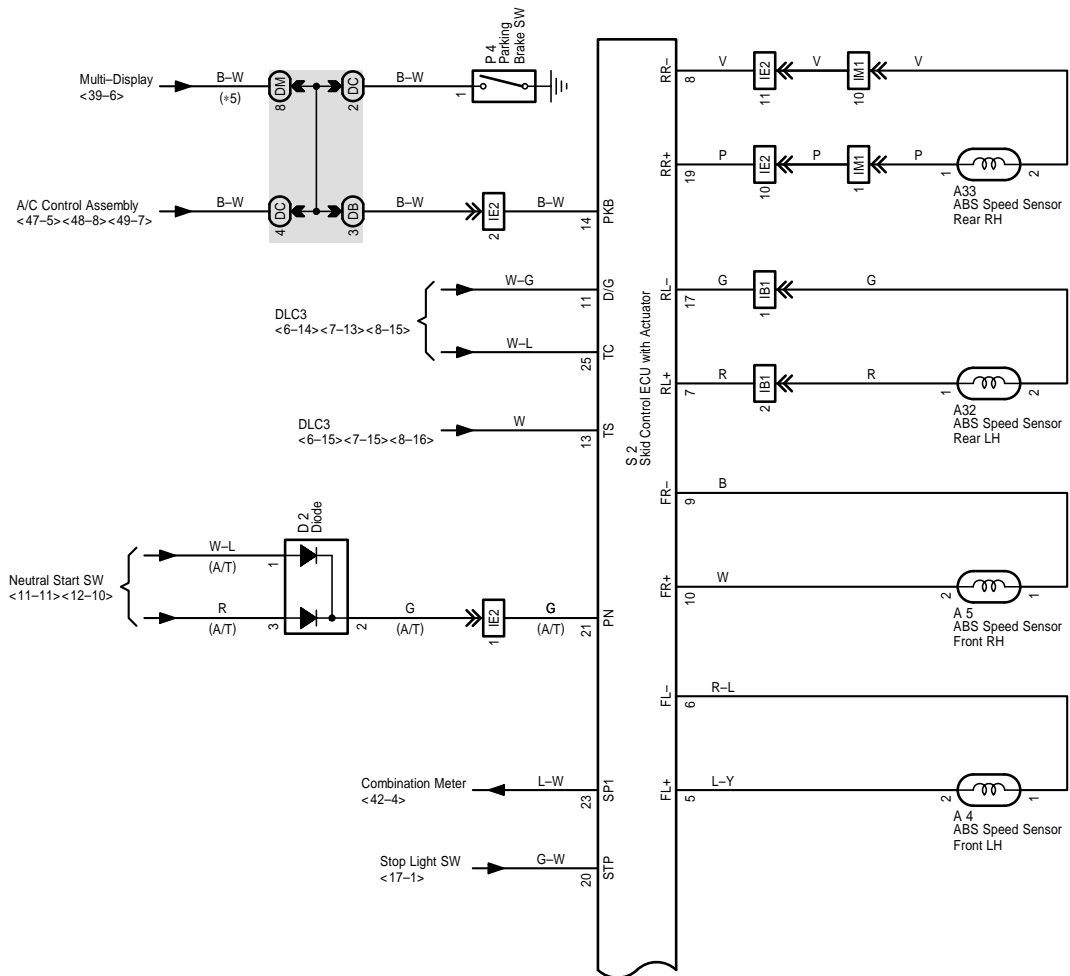
ABS

8

7

6

5



M OVERALL ELECTRICAL WIRING DIAGRAM

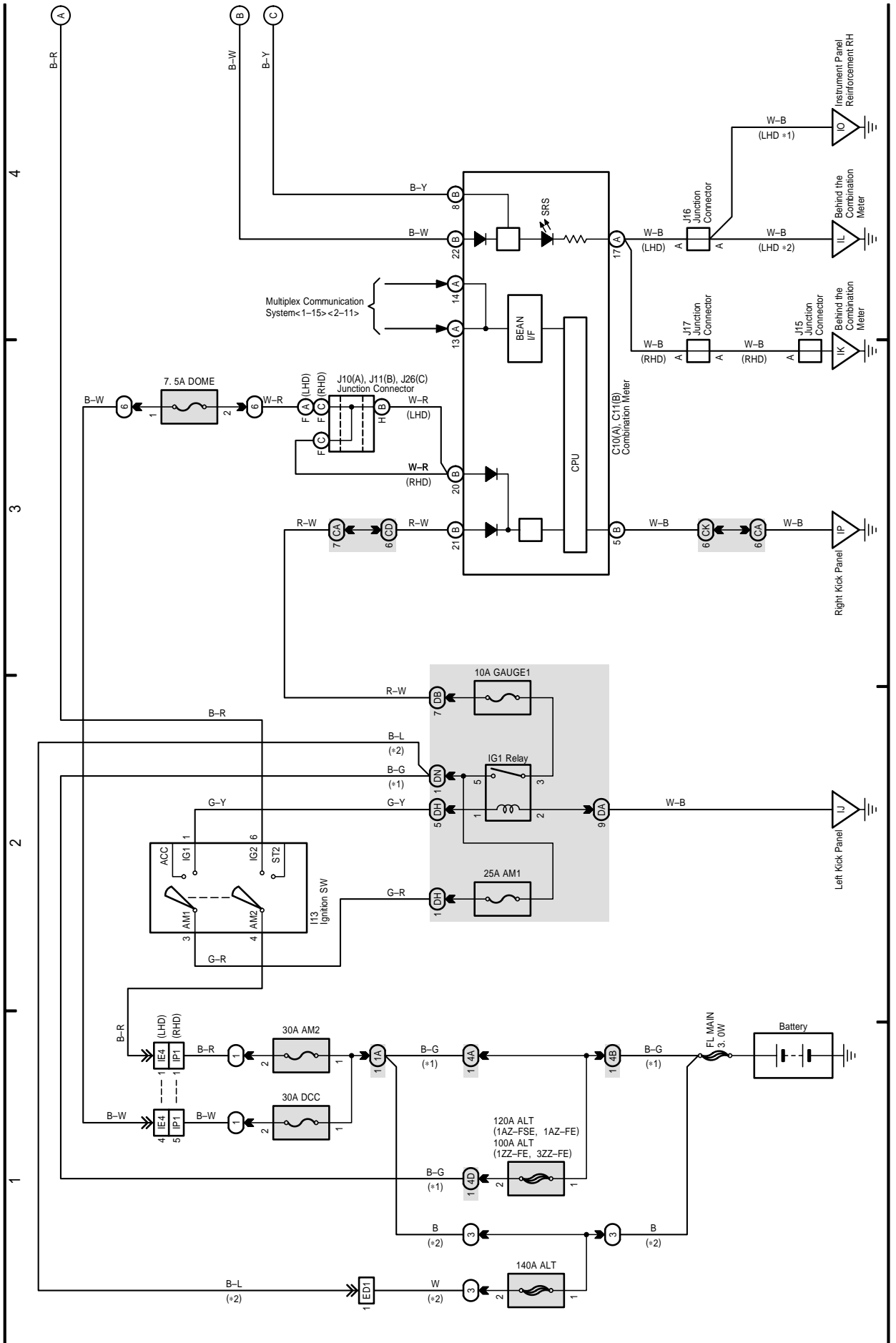
(Cont. next page)

22 AVENSIS

* 1 : Gasoline
* 2 : TCD-FIV

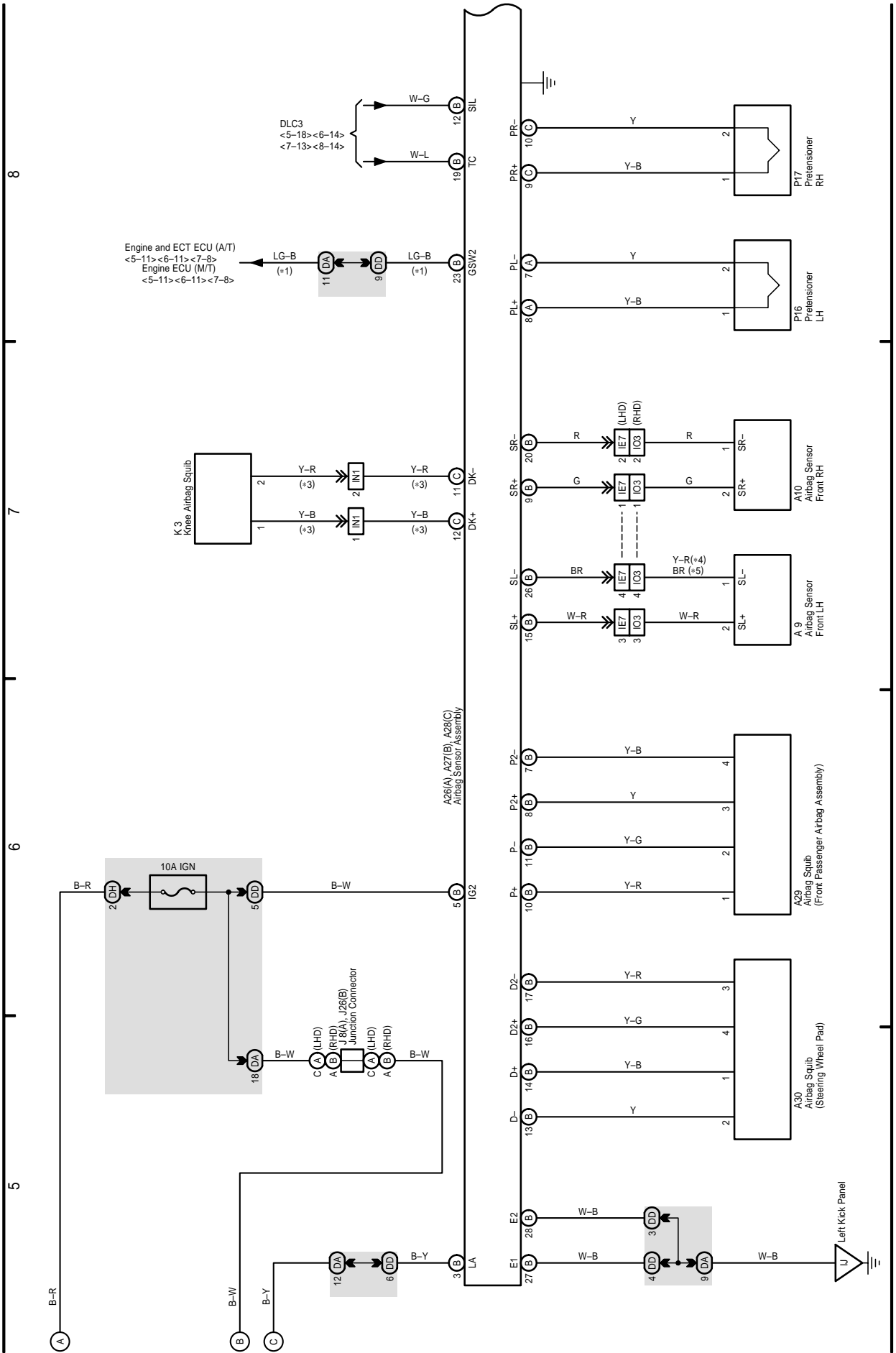
SRS

Power Source



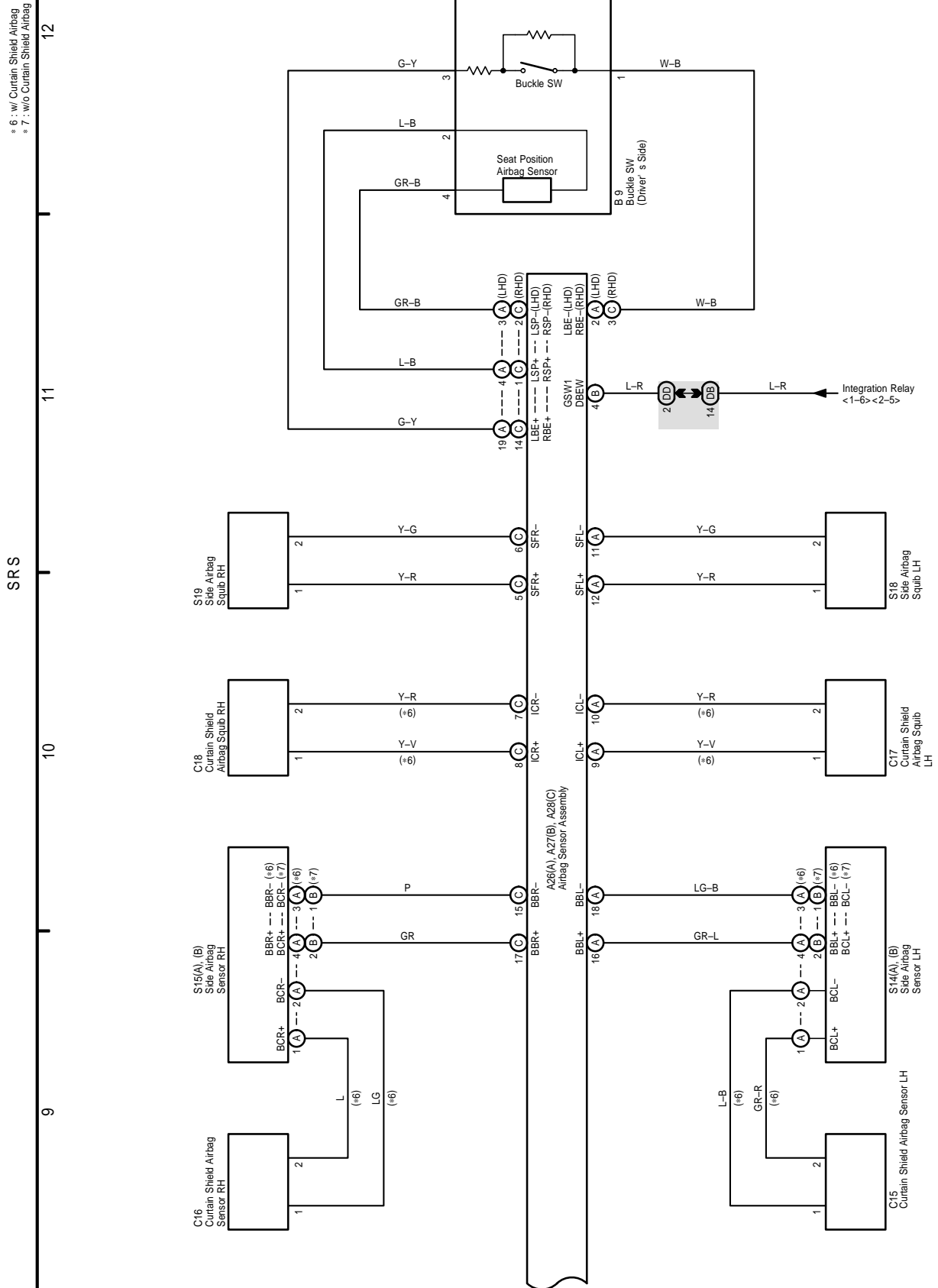
- * 1 : Gasoline
- * 3 : w/ Knee Airbag
- * 4 : LHD 1CD-FTV
- * 5 : Except LHD 1CD-FTV

SRS



M OVERALL ELECTRICAL WIRING DIAGRAM

22 AVENSIS (Cont' d)



23 AVENSIS

Power Source

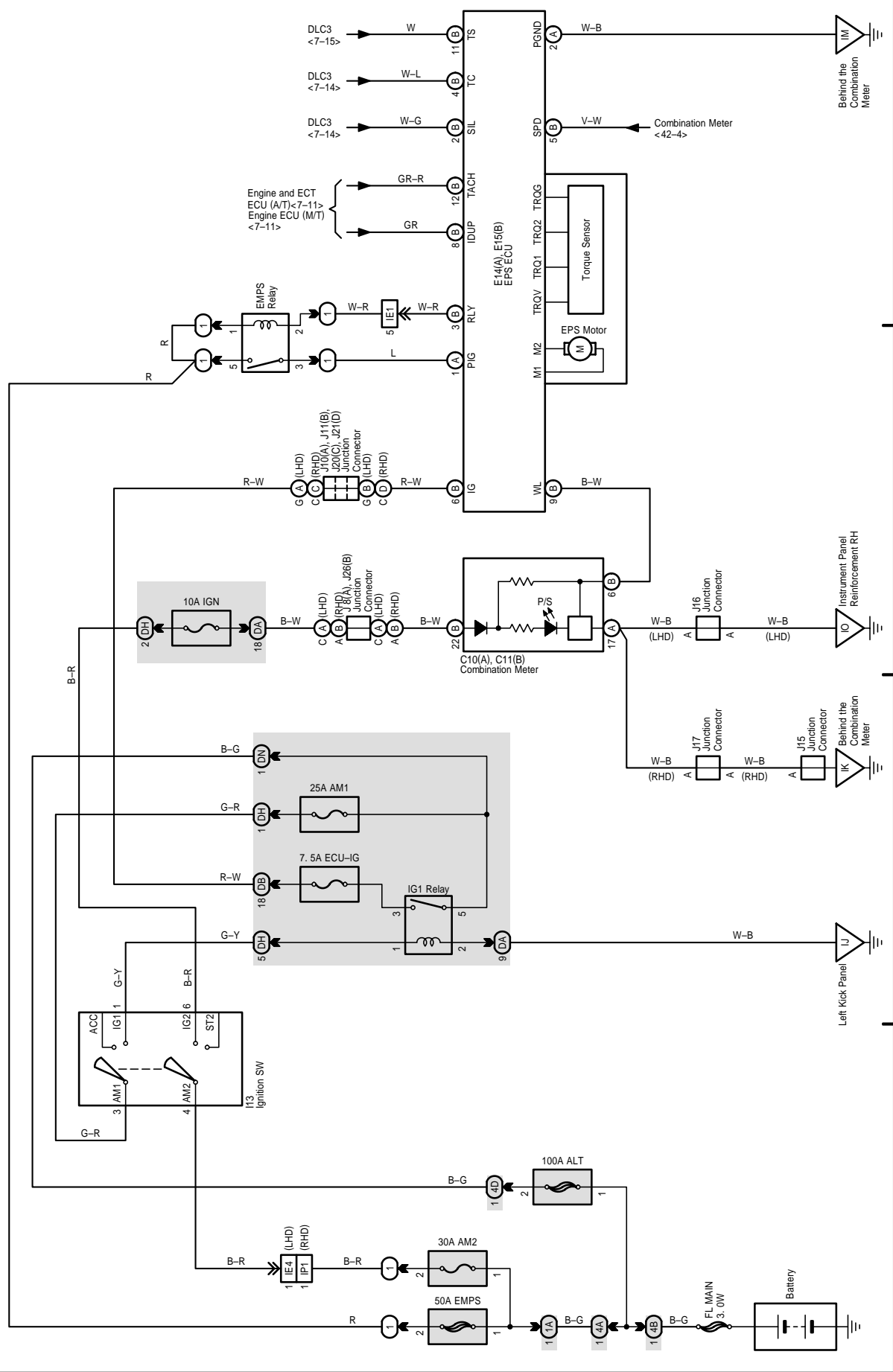
EPS

4

3

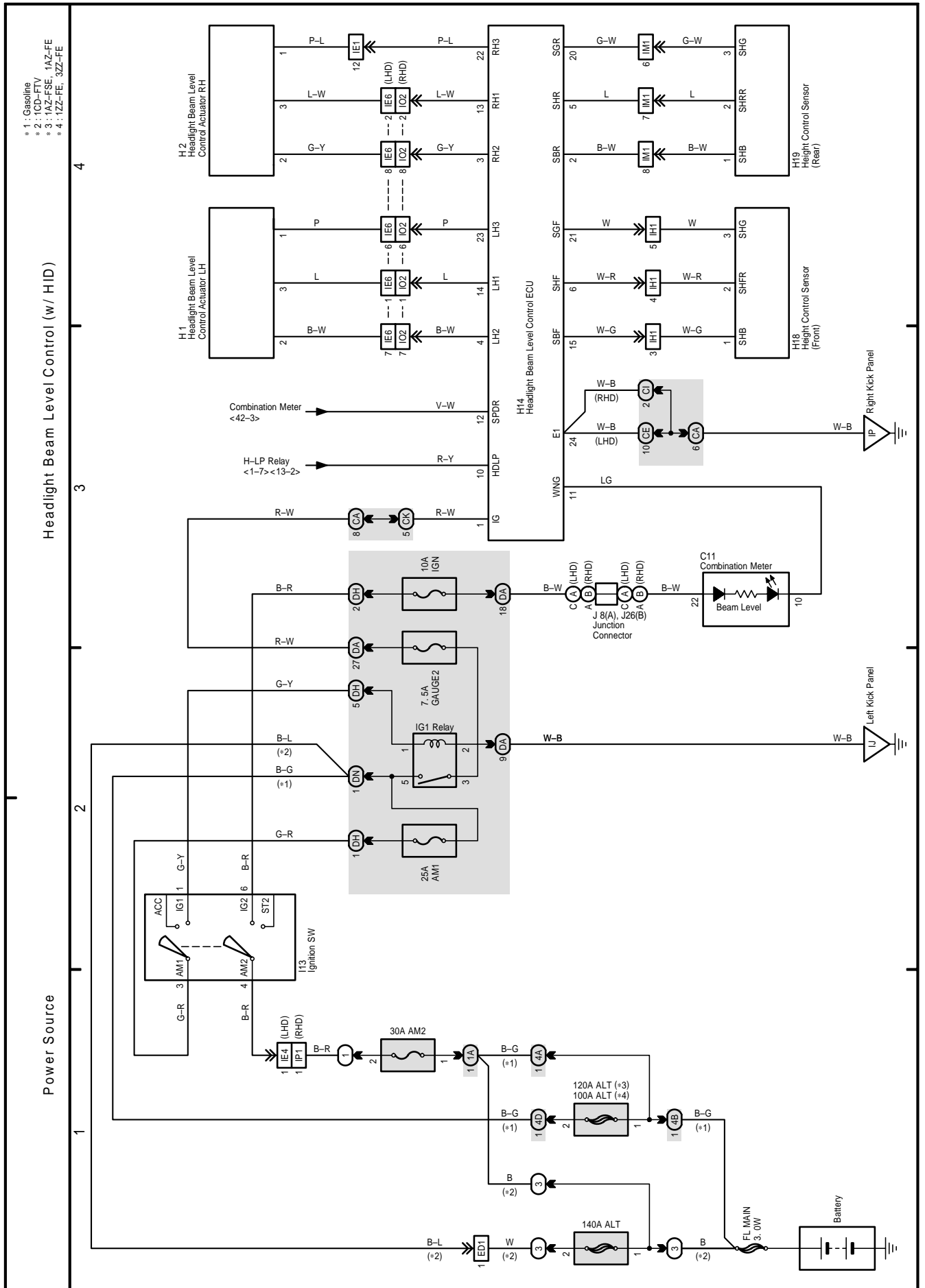
2

1



M OVERALL ELECTRICAL WIRING DIAGRAM

24 AVENSIS



25 AVENSIS

Headlight Beam Level Control (w/o HID)

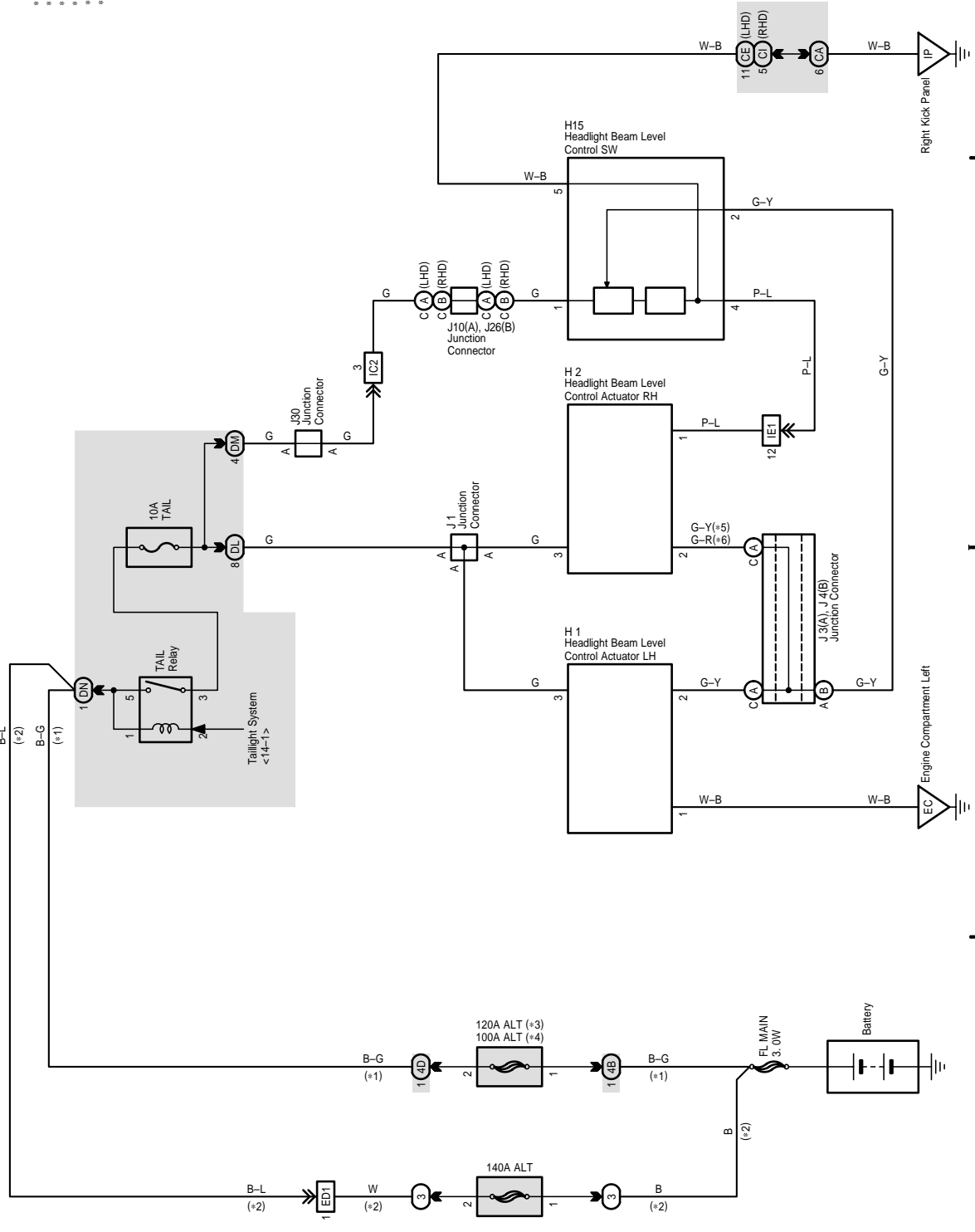
- * 1 : Gasoline
- * 2 : 1CD-FTV
- * 3 : 1AZ-FSE, 1AZ-FE
- * 4 : 1ZZ-FE, 3ZZ-FE
- * 5 : Except RHD 1CD-FTV
- * 6 : RHD 1CD-FTV

4

3

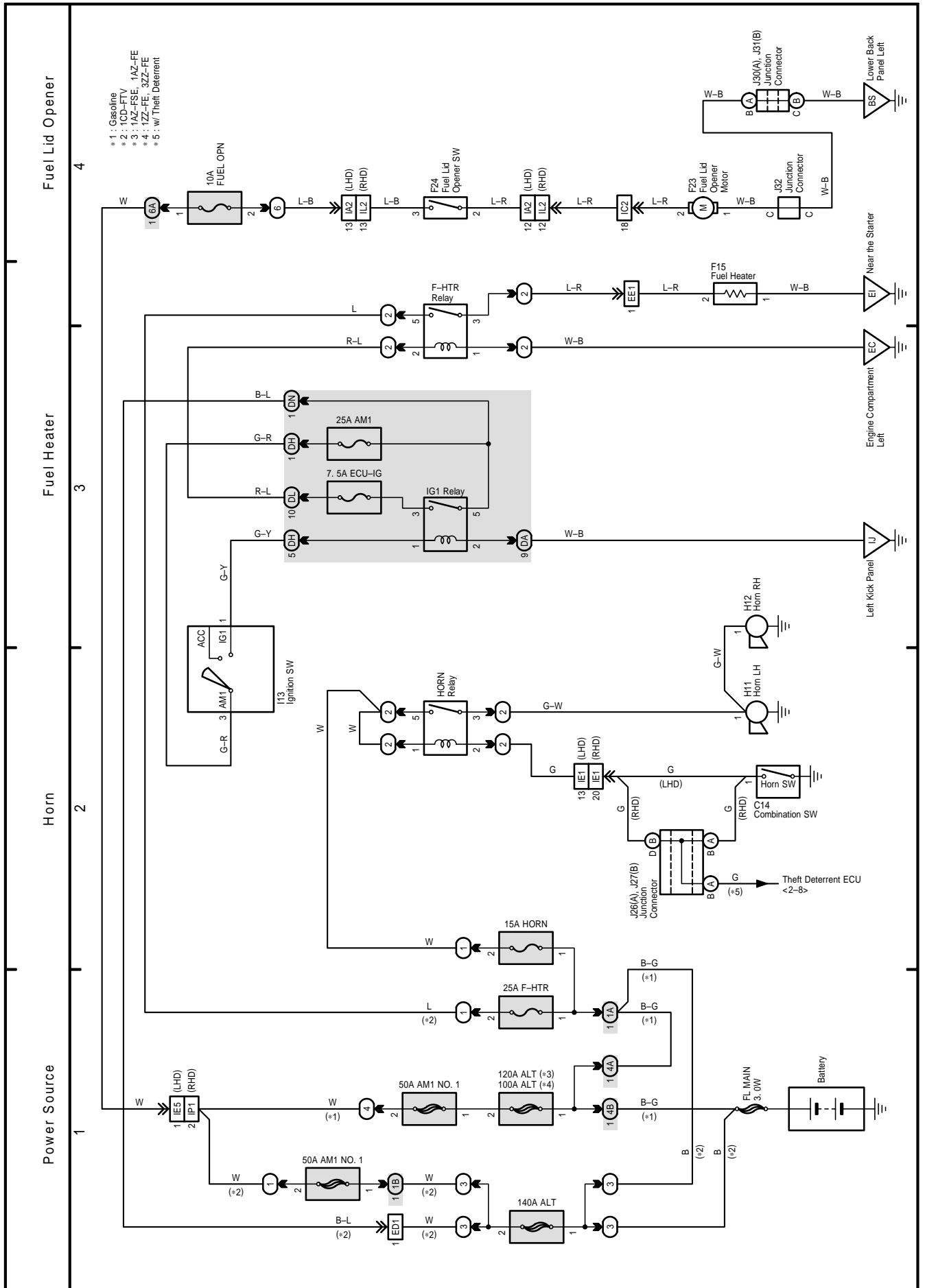
2

1

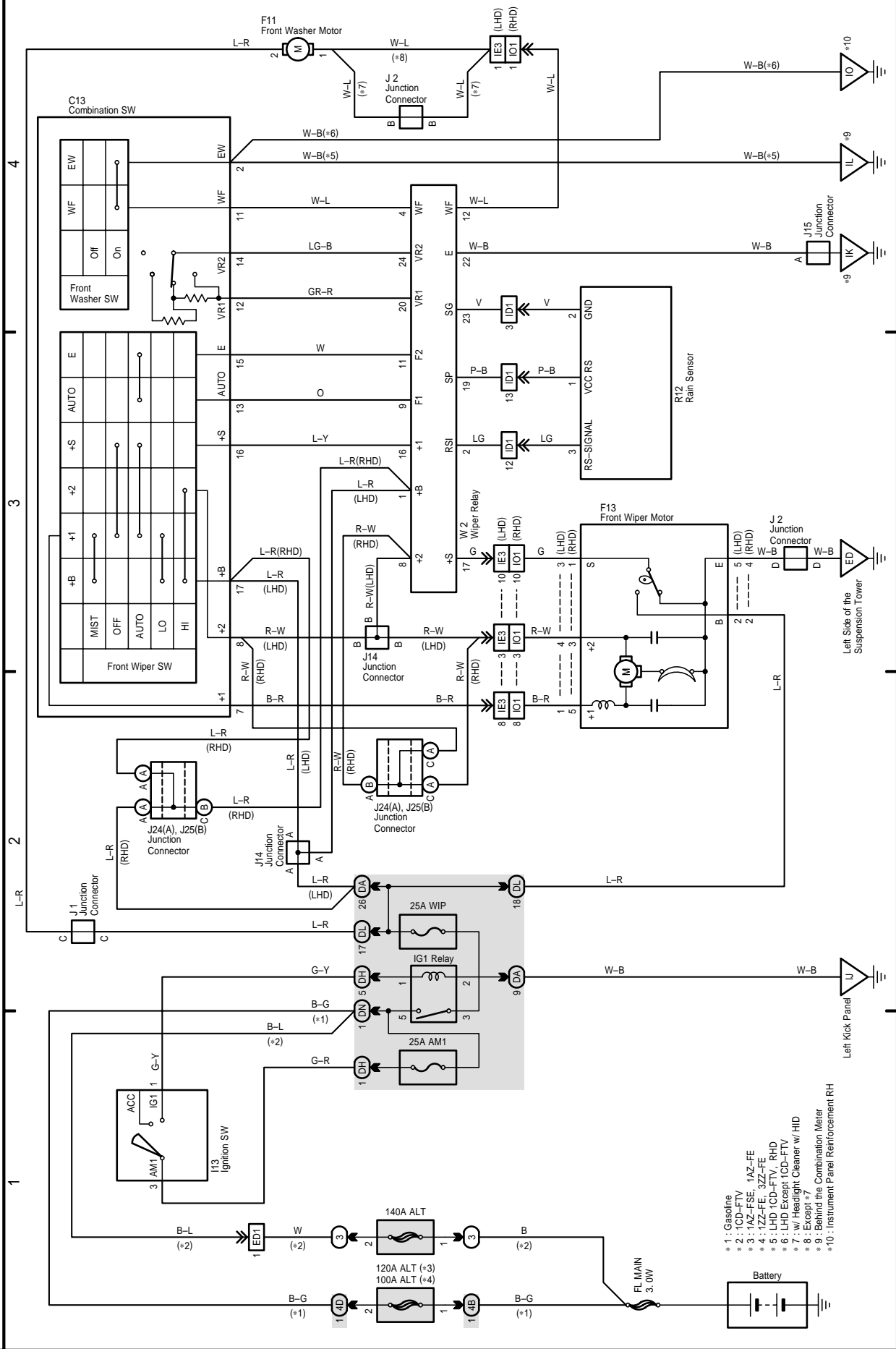


M OVERALL ELECTRICAL WIRING DIAGRAM

26 AVENSIS



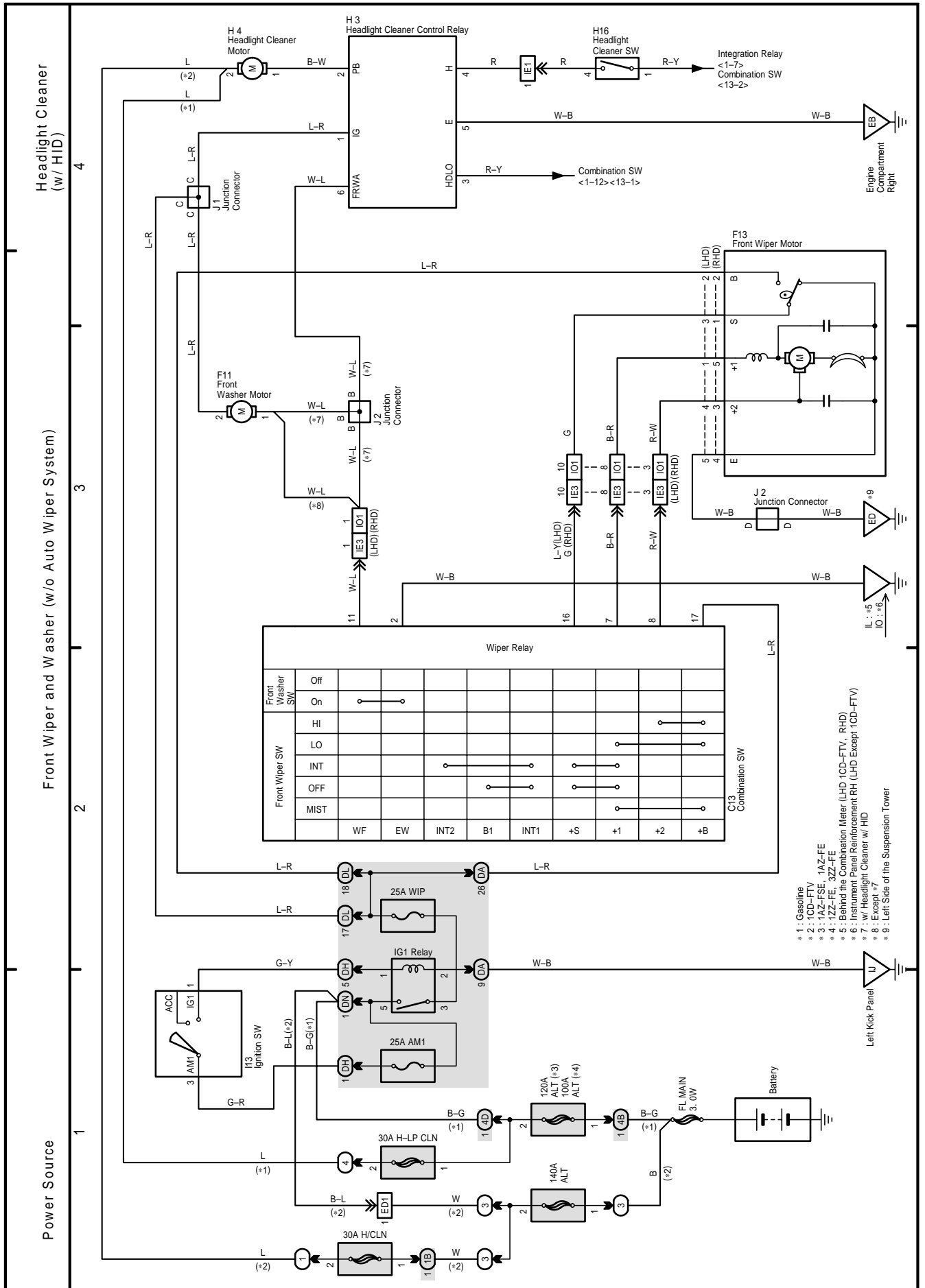
Front Wiper and Washer (w/ Auto Wiper System)



- *1: Gasoline
- *2: 1CD-FTV
- *3: 1AZ-FSE, 1AZ-FE
- *4: 1ZZ-FE, 3ZZ-FE
- *5: LHD 1CD-FTV, RHD
- *6: LHD Except 1CD-FTV
- *7: w/ Headlight Cleaner w/ HID
- *8: Except *7
- *9: Behind the Combination Meter
- *10: Instrument Panel Reinforcement RH

M OVERALL ELECTRICAL WIRING DIAGRAM

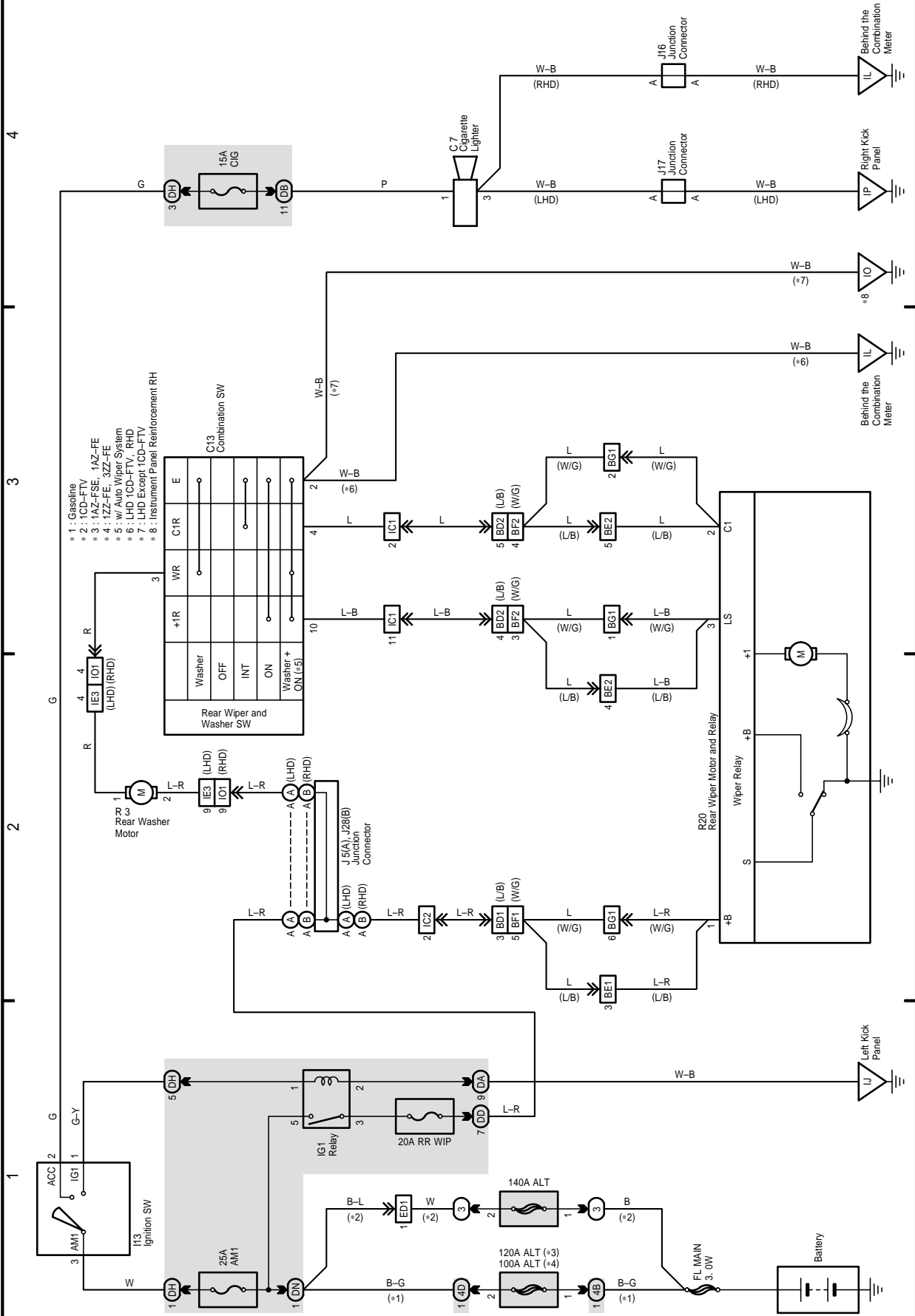
28 AVENSIS



Power Source

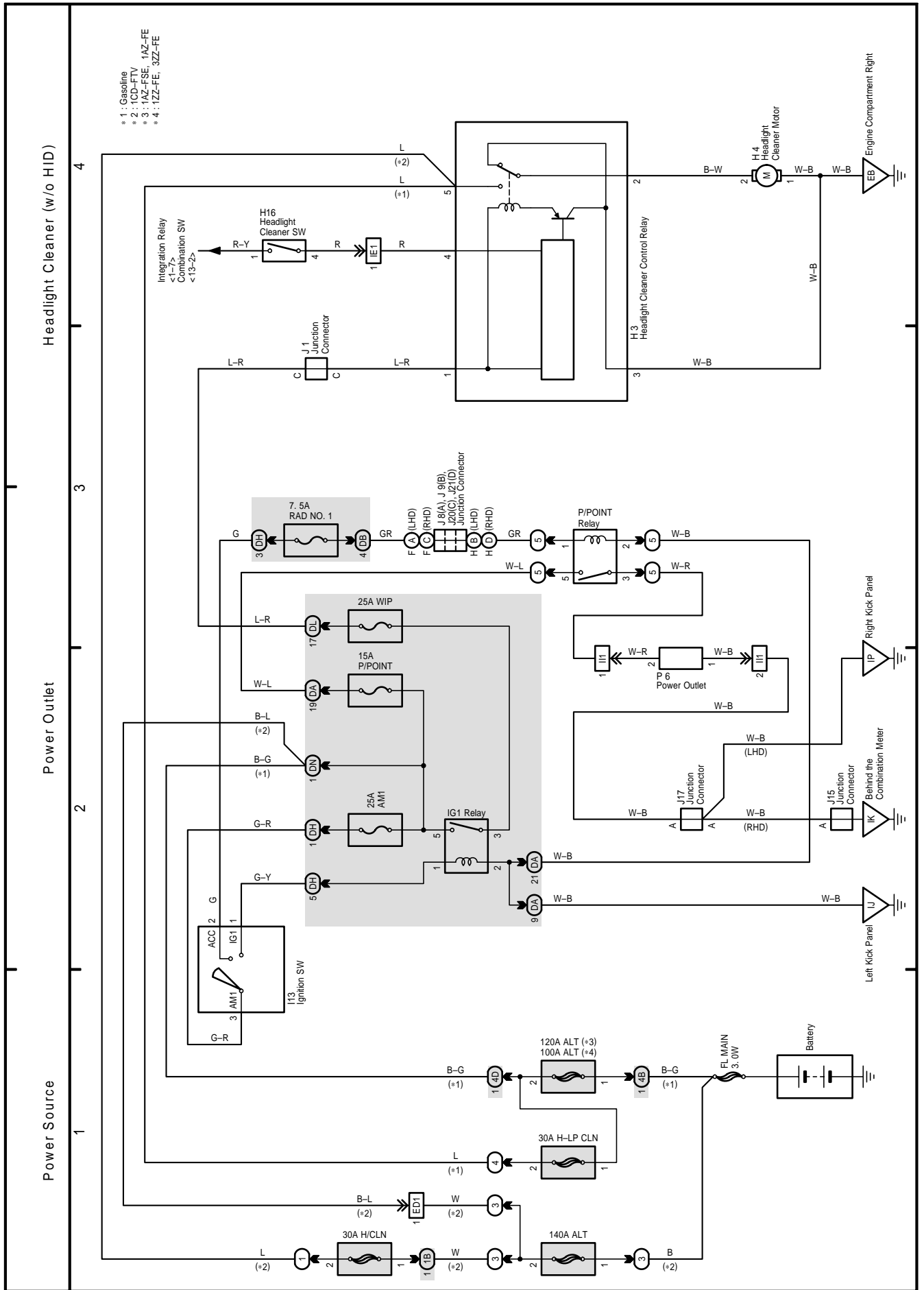
Rear Wiper and Washer

Cigarette Lighter



M OVERALL ELECTRICAL WIRING DIAGRAM

30 AVENSIS



Power Source

Remote Control Mirror

4

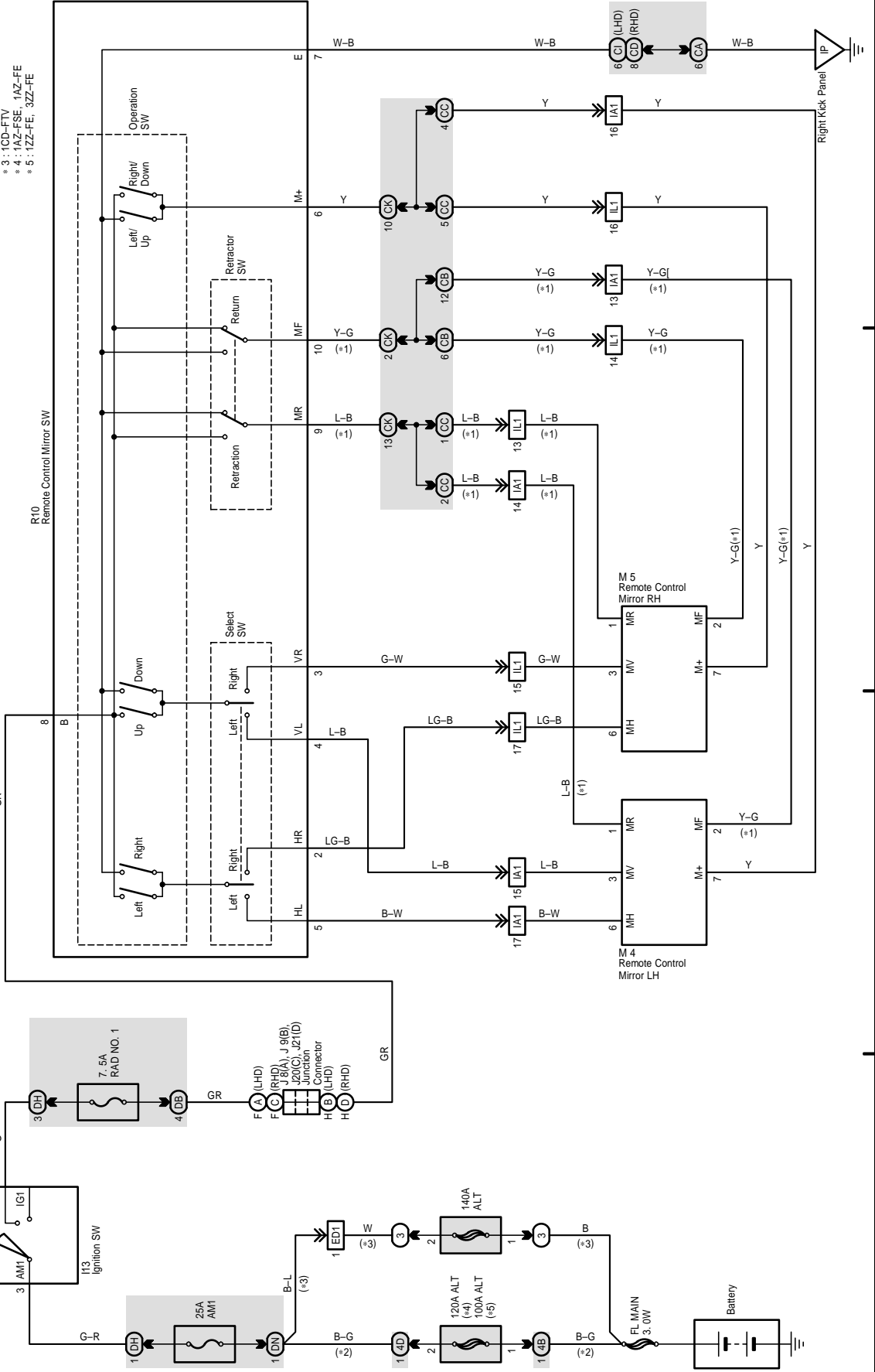
3

2

1

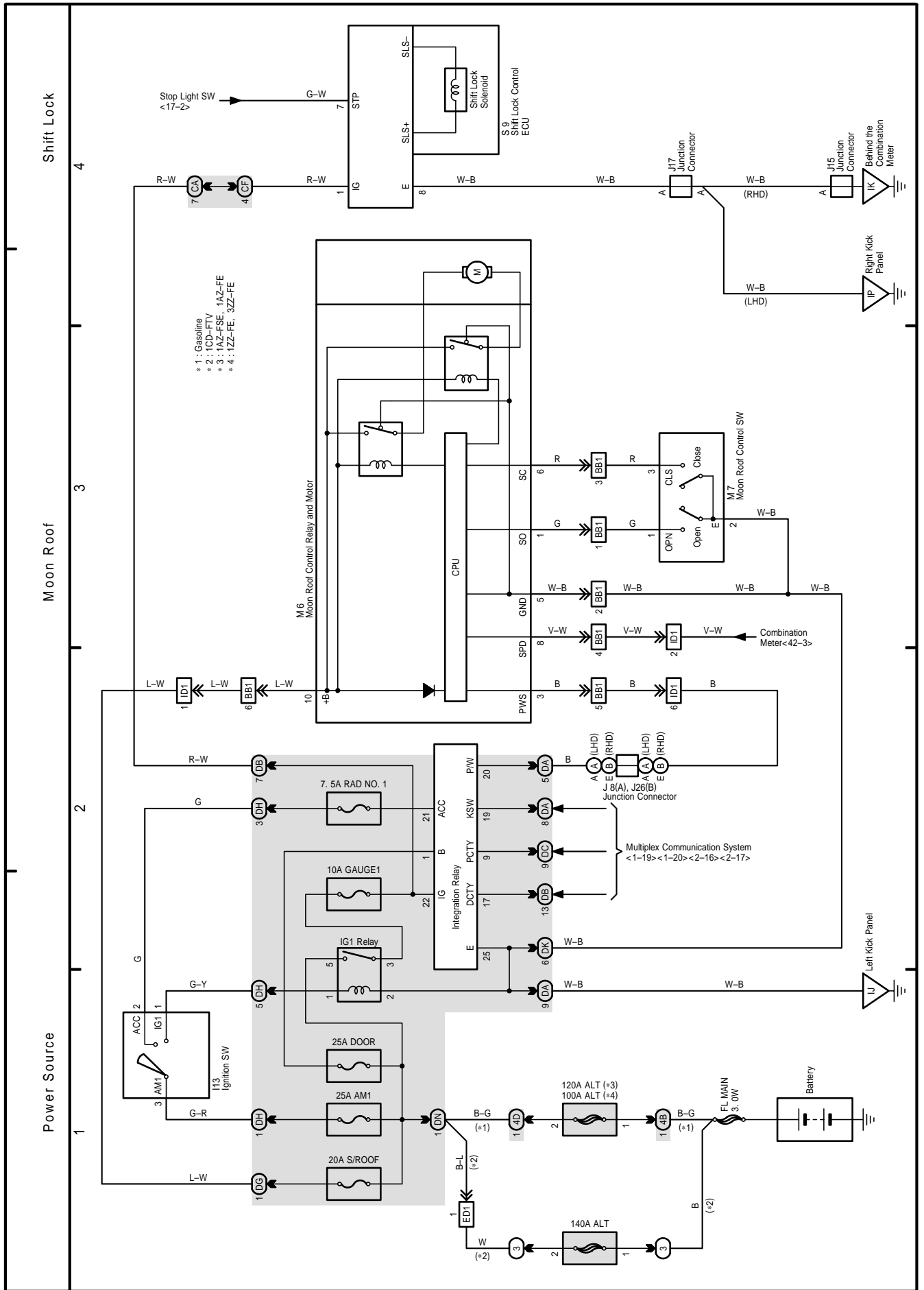
- * 1 : w/ Retractor
- * 2 : Gasoline
- * 3 : 1CD-FTV
- * 4 : 1AZ-FSE, 1AZ-FE
- * 5 : 1ZZ-FE, 3ZZ-FE

R10 Remote Control Mirror SW

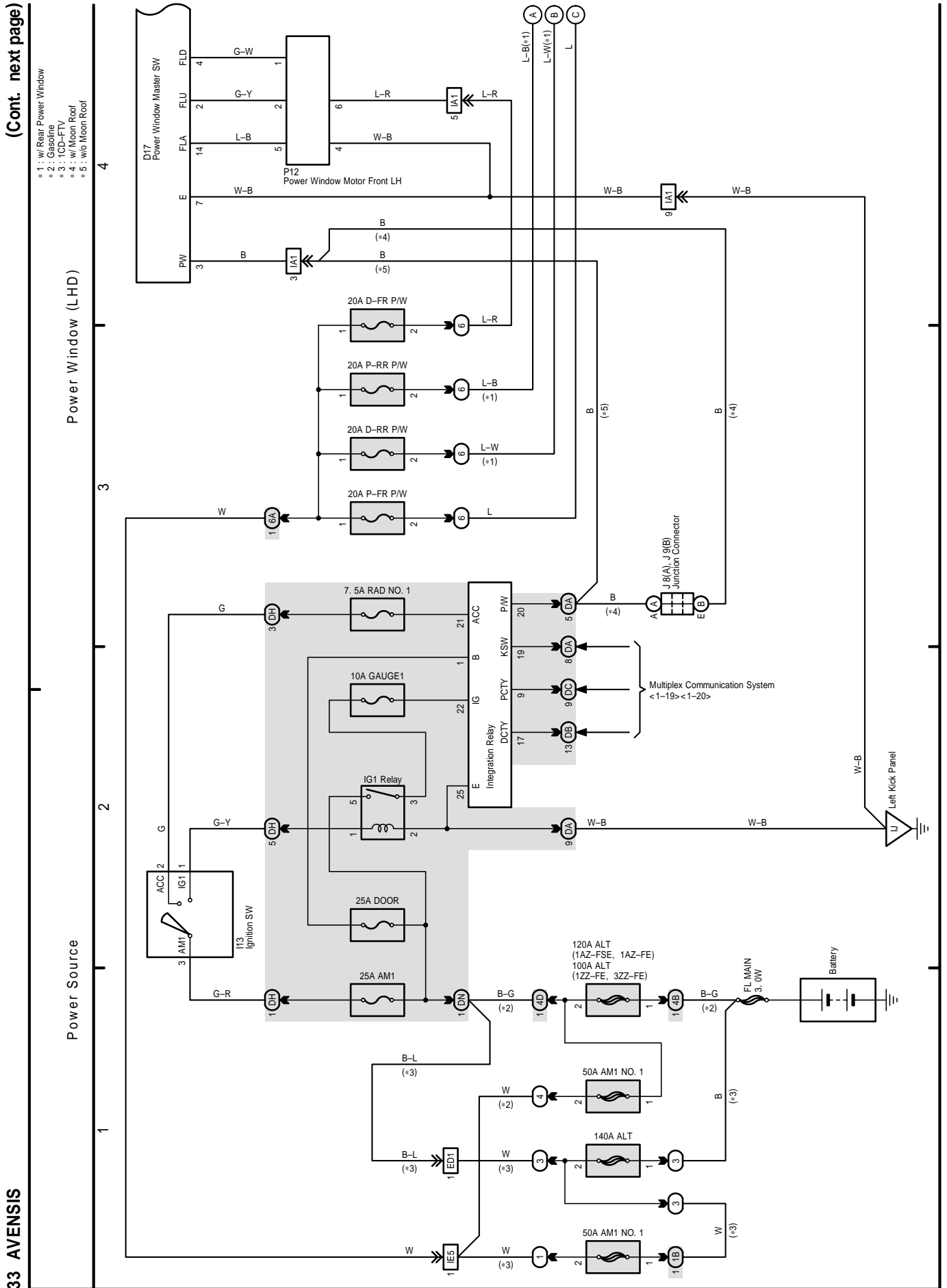


M OVERALL ELECTRICAL WIRING DIAGRAM

32 AVENSIS



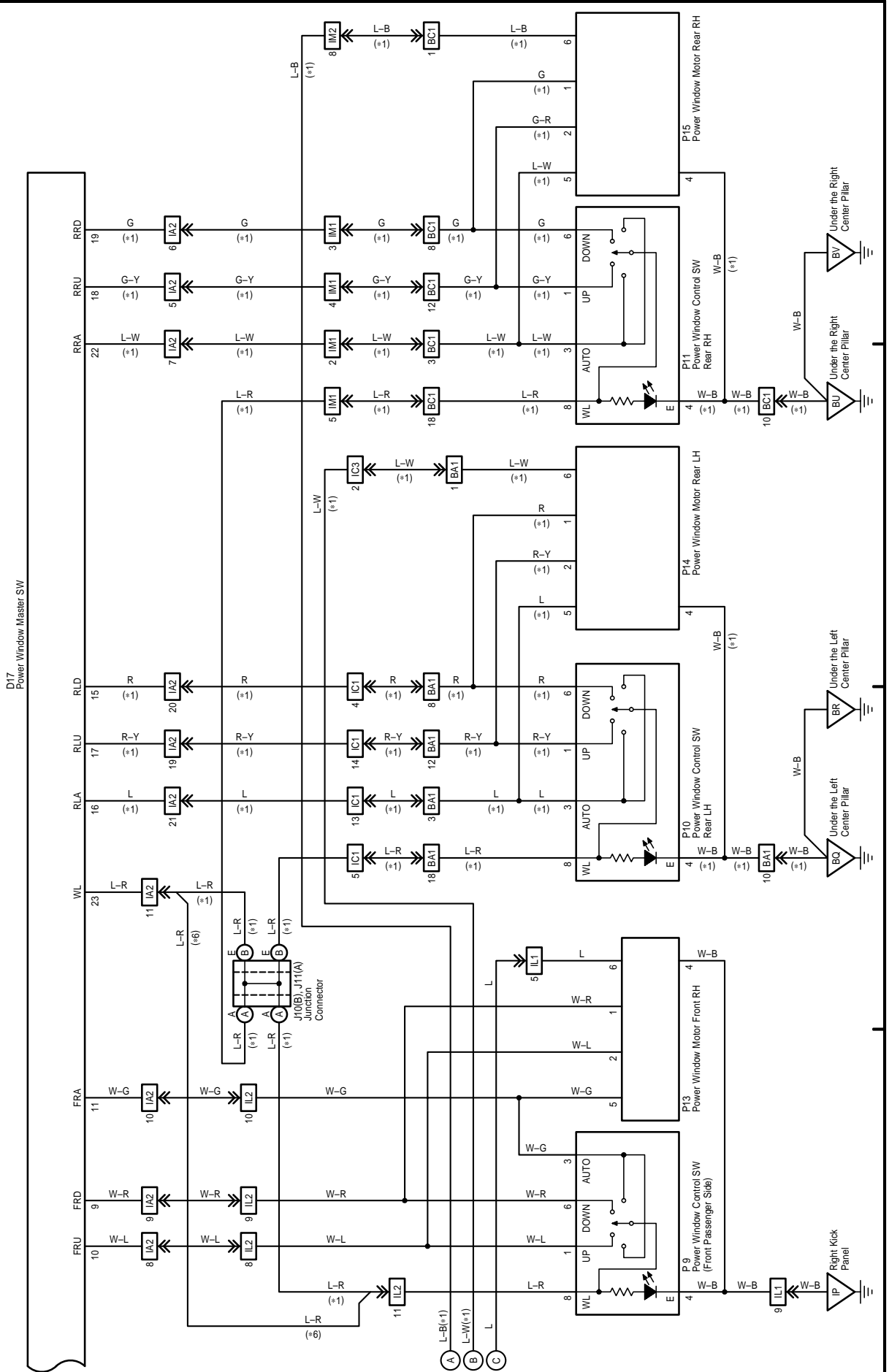
M OVERALL ELECTRICAL WIRING DIAGRAM



Power Window (LHD)

* 1 : w/ Rear Power Window
 * 6 : w/o Rear Power Window

8
7
6
5



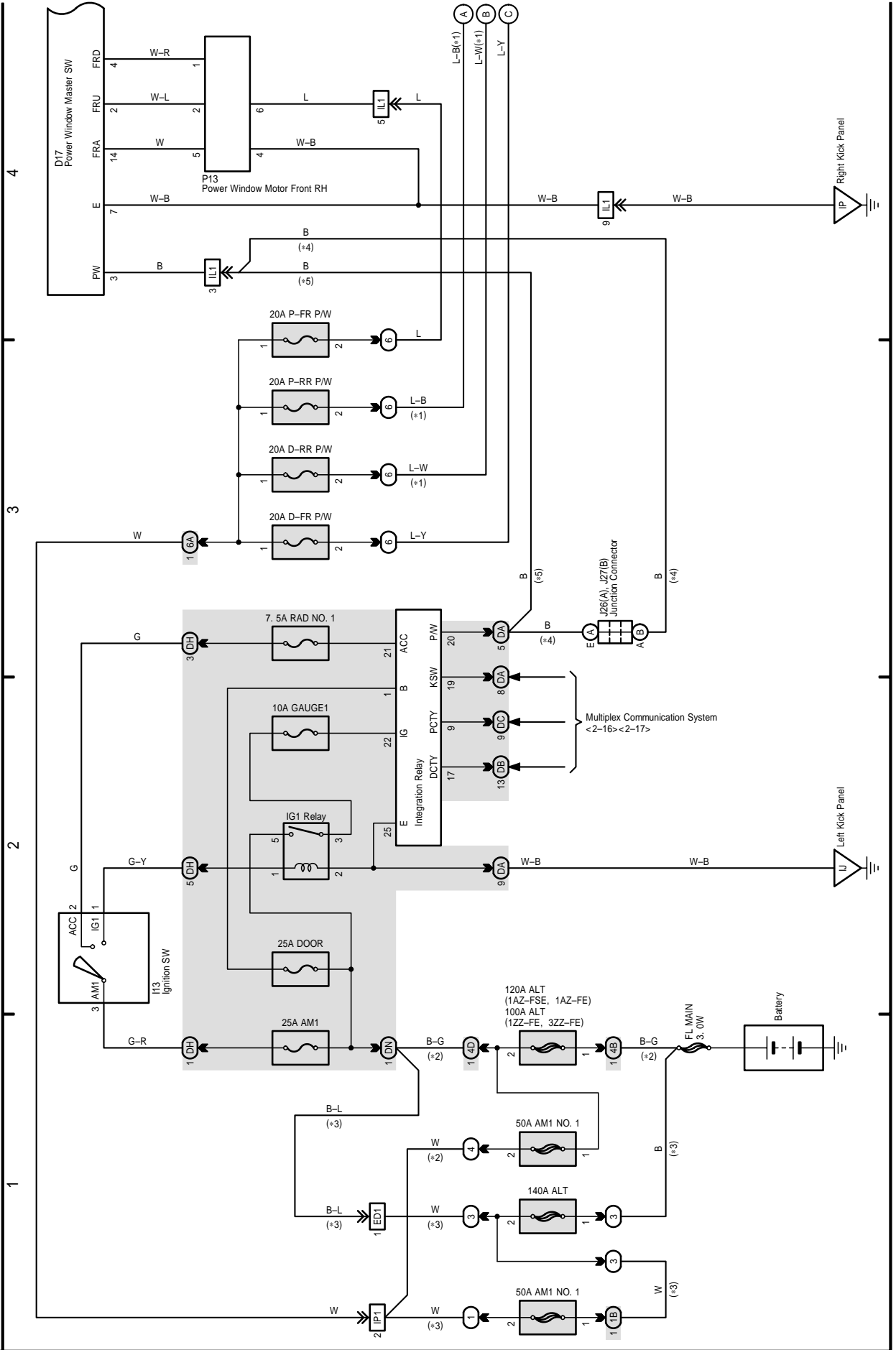
M OVERALL ELECTRICAL WIRING DIAGRAM

34 AVENSIS

(Cont. next page)

- * 1 : w/ Rear Power Window
- * 2 : Gasoline
- * 3 : TCD-FTV
- * 4 : w/ Moon Roof
- * 5 : w/ Moon Roof

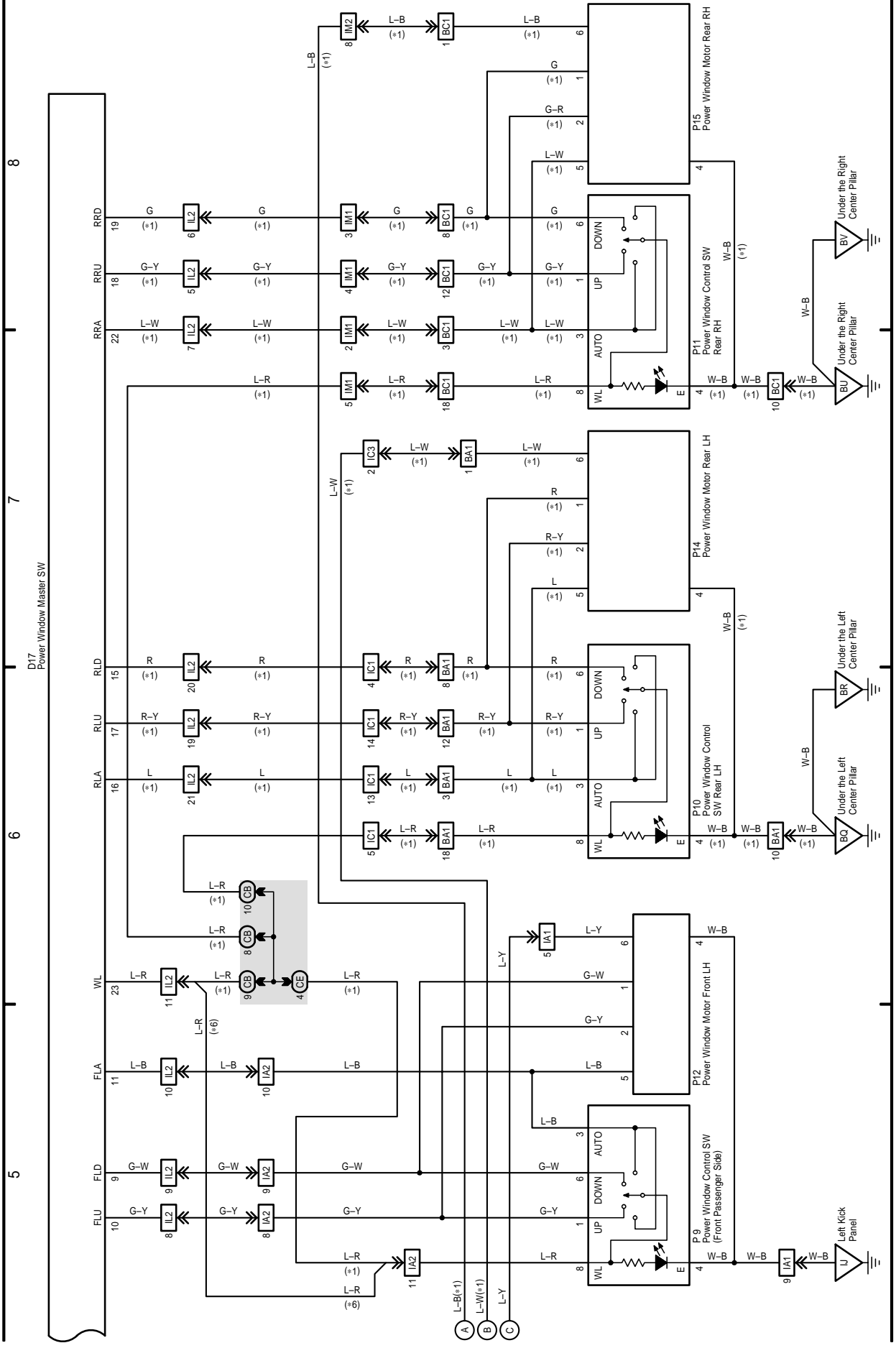
Power Window (RHD)



34 AVENSIS (Cont' d)

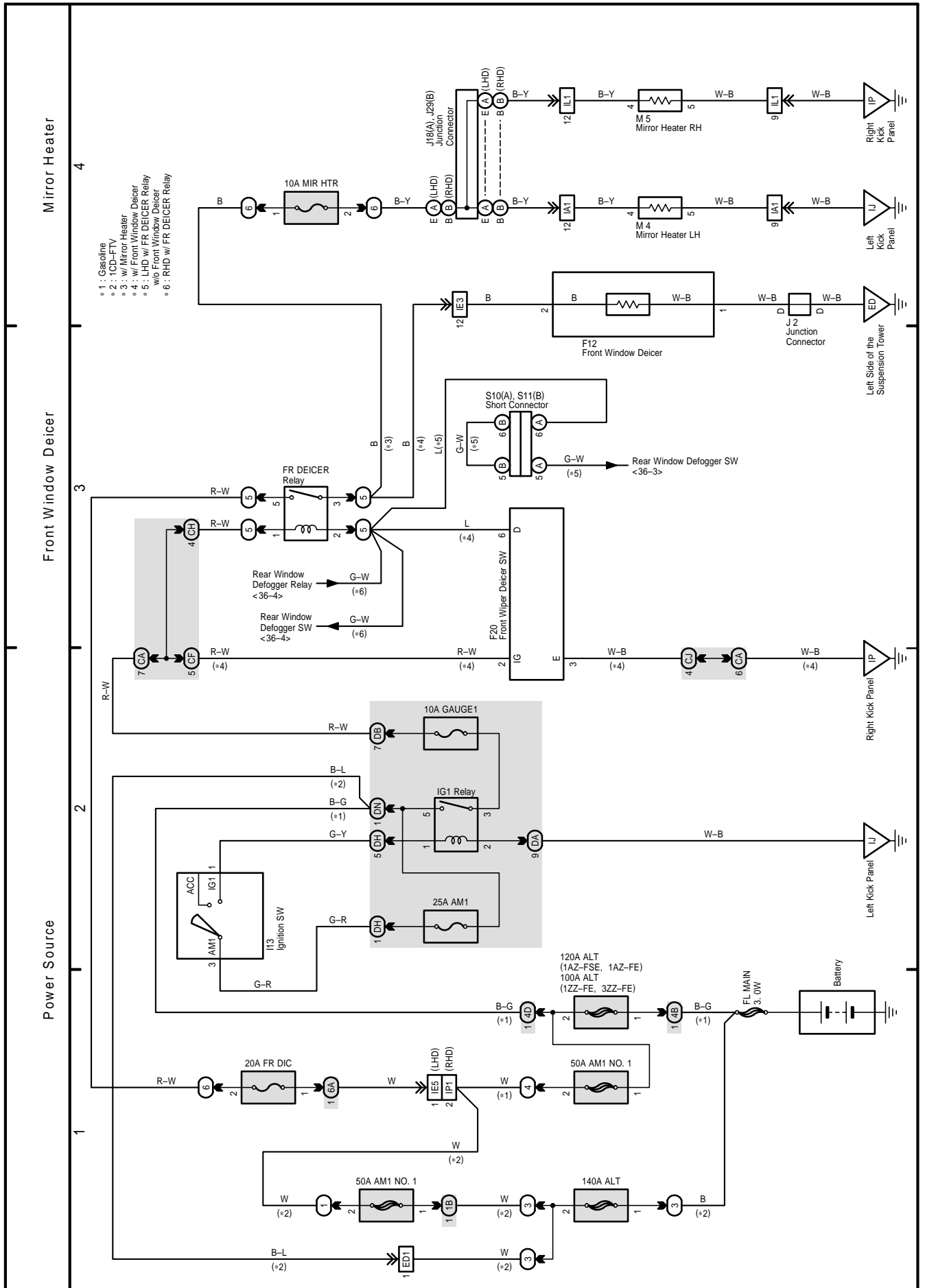
Power Window (RHD)

* 1 : w/ Rear Power Window
* 6 : w/o Rear Power Window

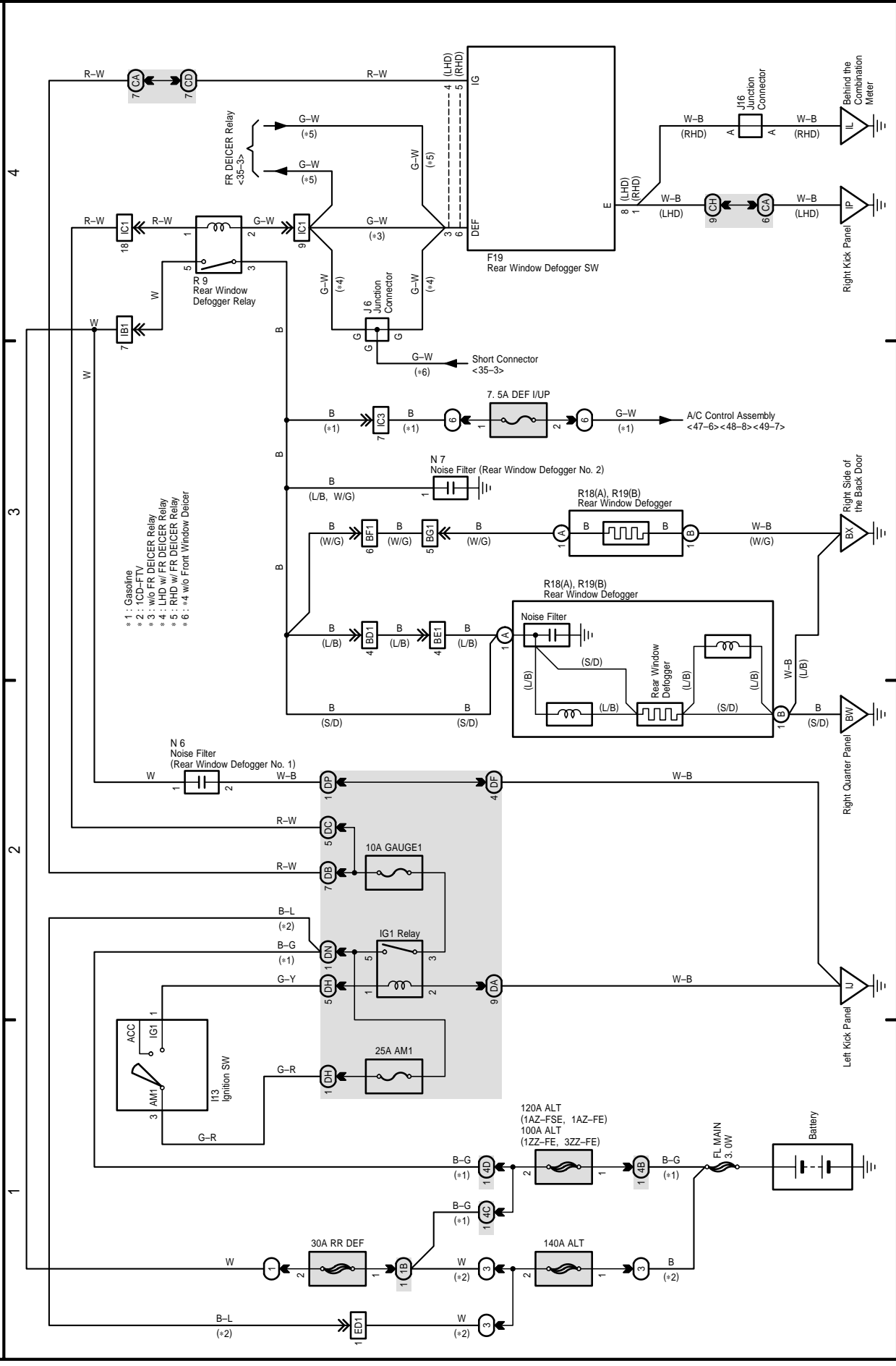


M OVERALL ELECTRICAL WIRING DIAGRAM

35 AVENSIS



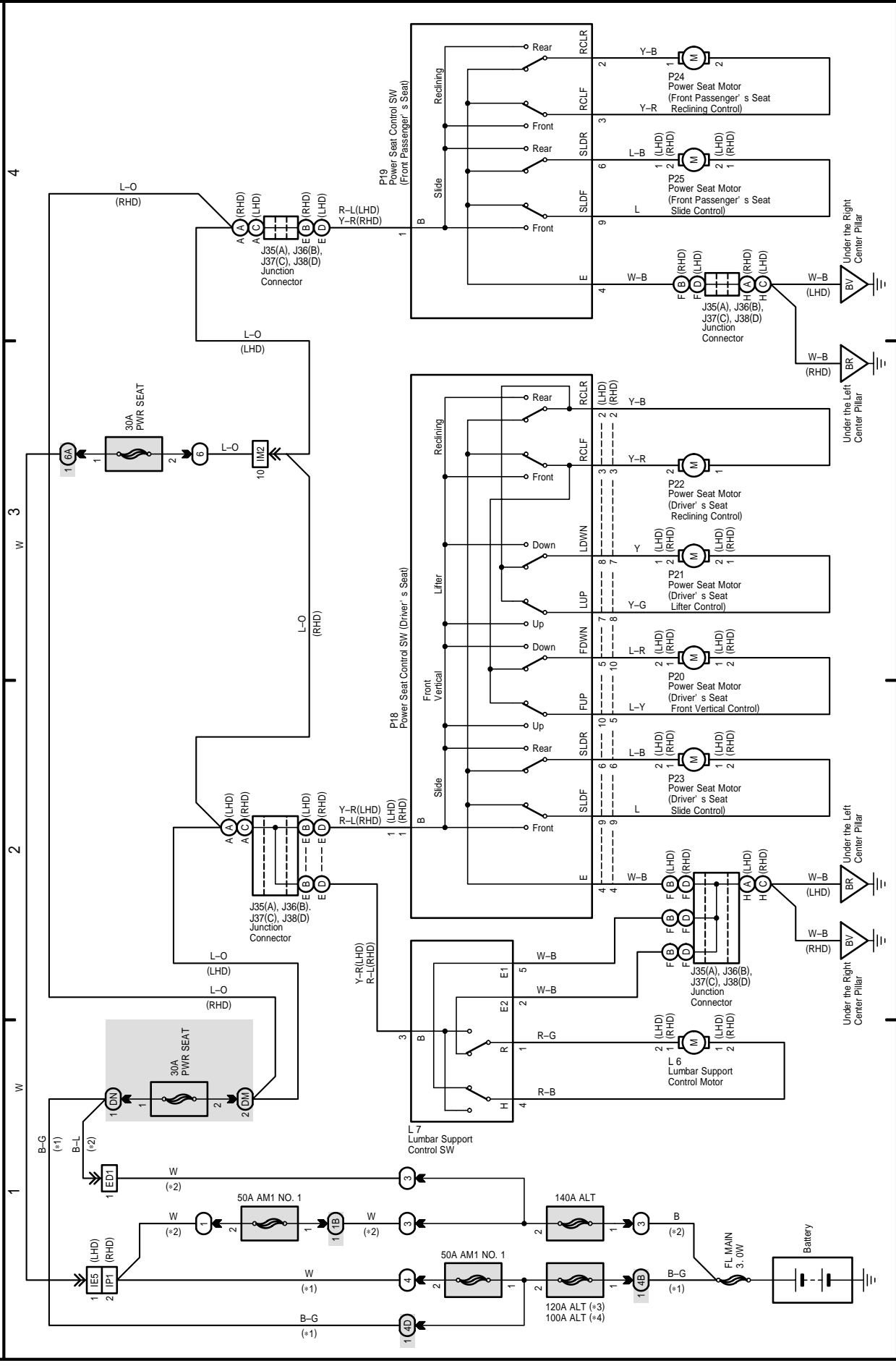
Rear Window Defogger



- * 1 : Gasoline
- * 2 : 1CD-FTV
- * 3 : 1AZ-FSE, 1AZ-FE
- * 4 : 1ZZ-FE, 3ZZ-FE

Power Seat

Power Source



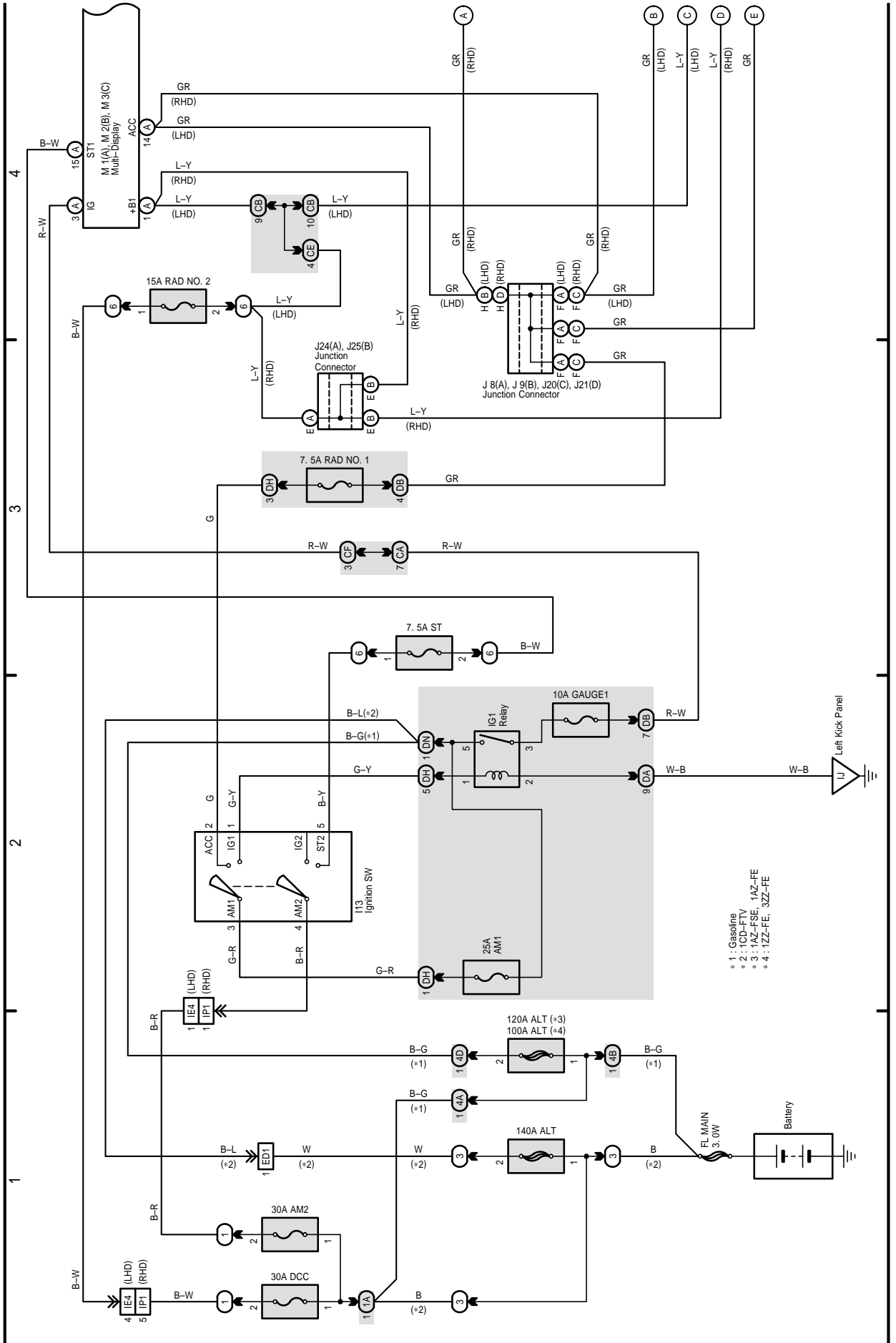
M OVERALL ELECTRICAL WIRING DIAGRAM

39 AVENSIS

(Cont. next page)

Navigation System (Map Type)

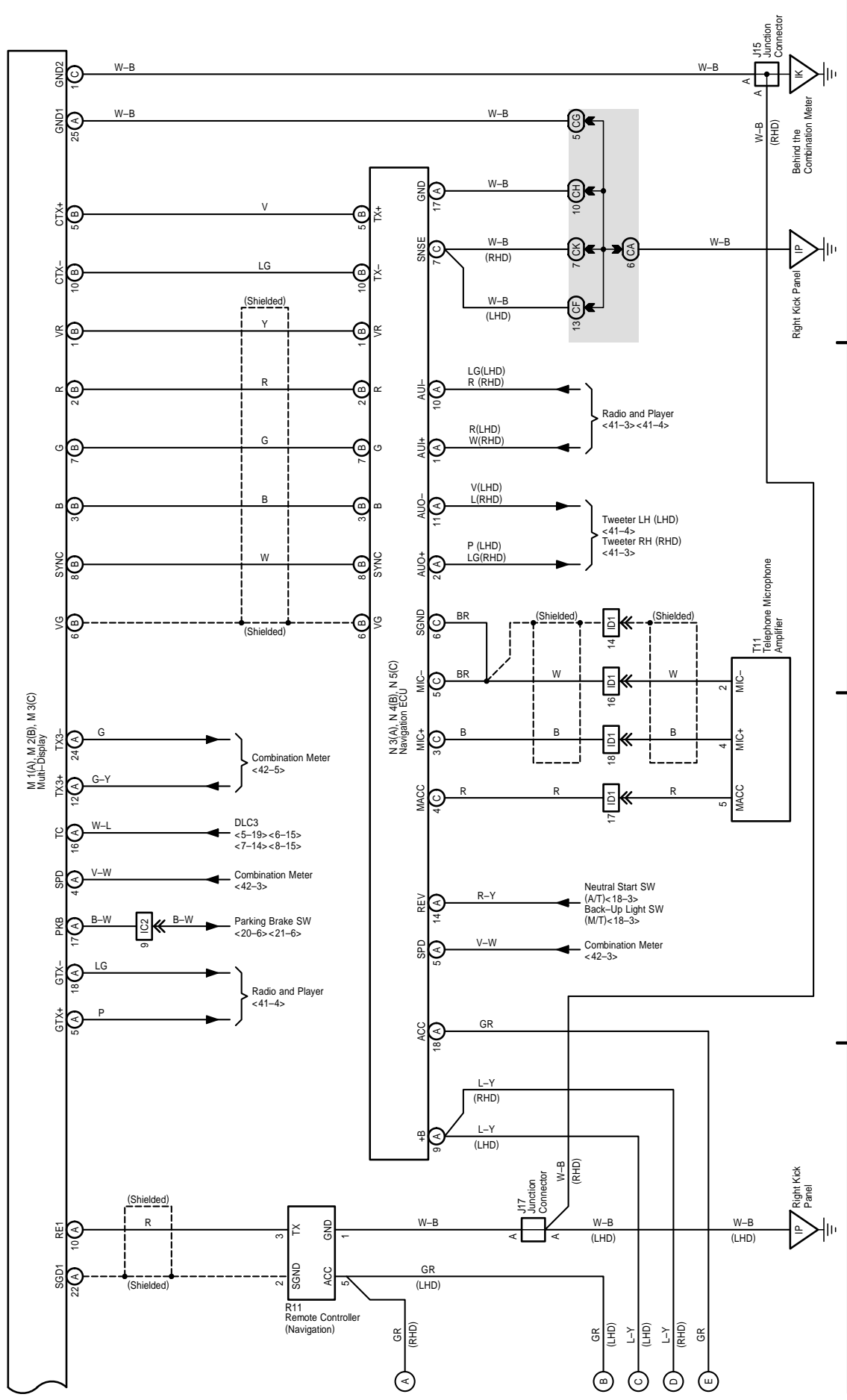
Power Source



39 AVENSIS (Cont' d)

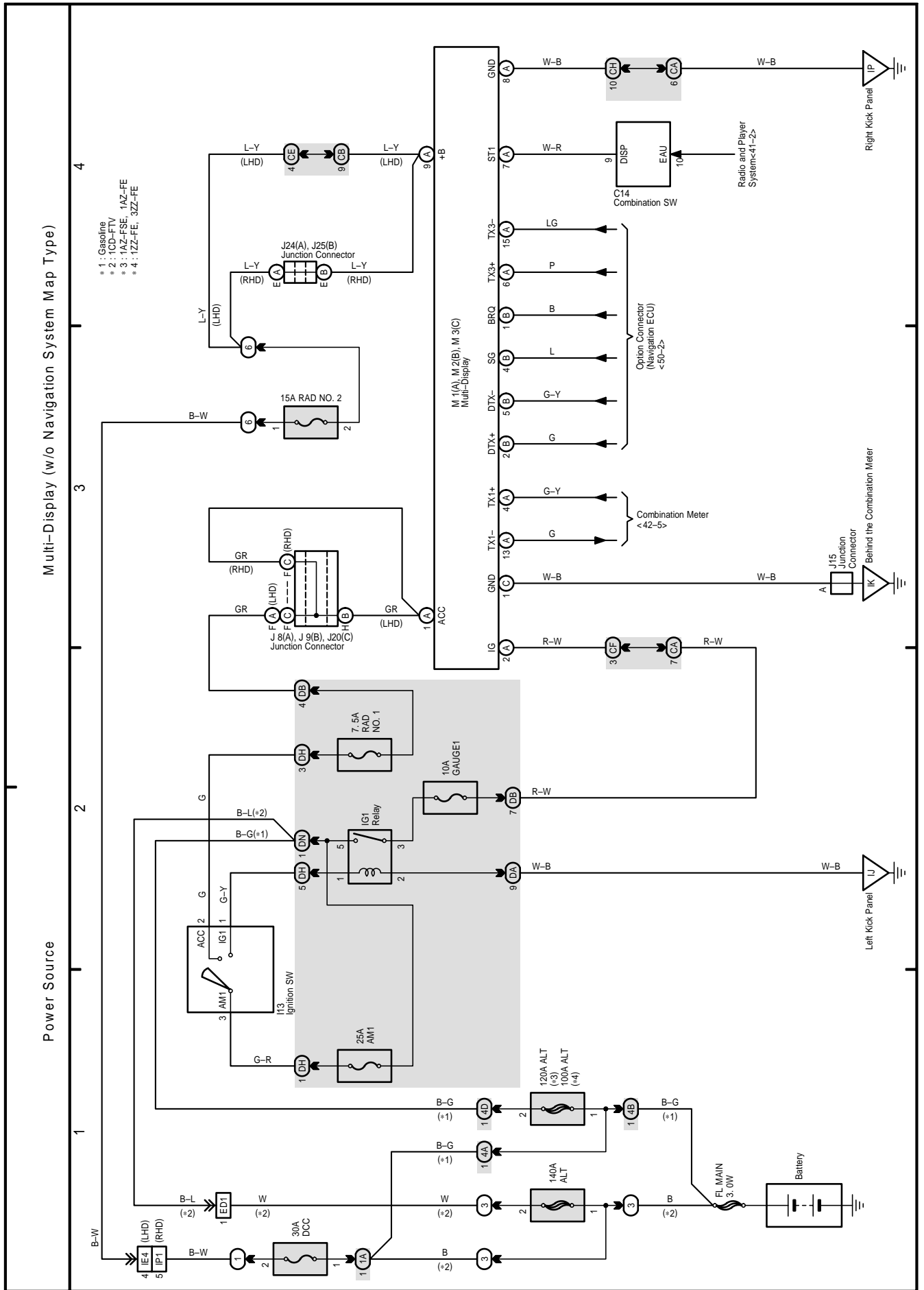
Navigation System (Map Type)

5 6 7 8



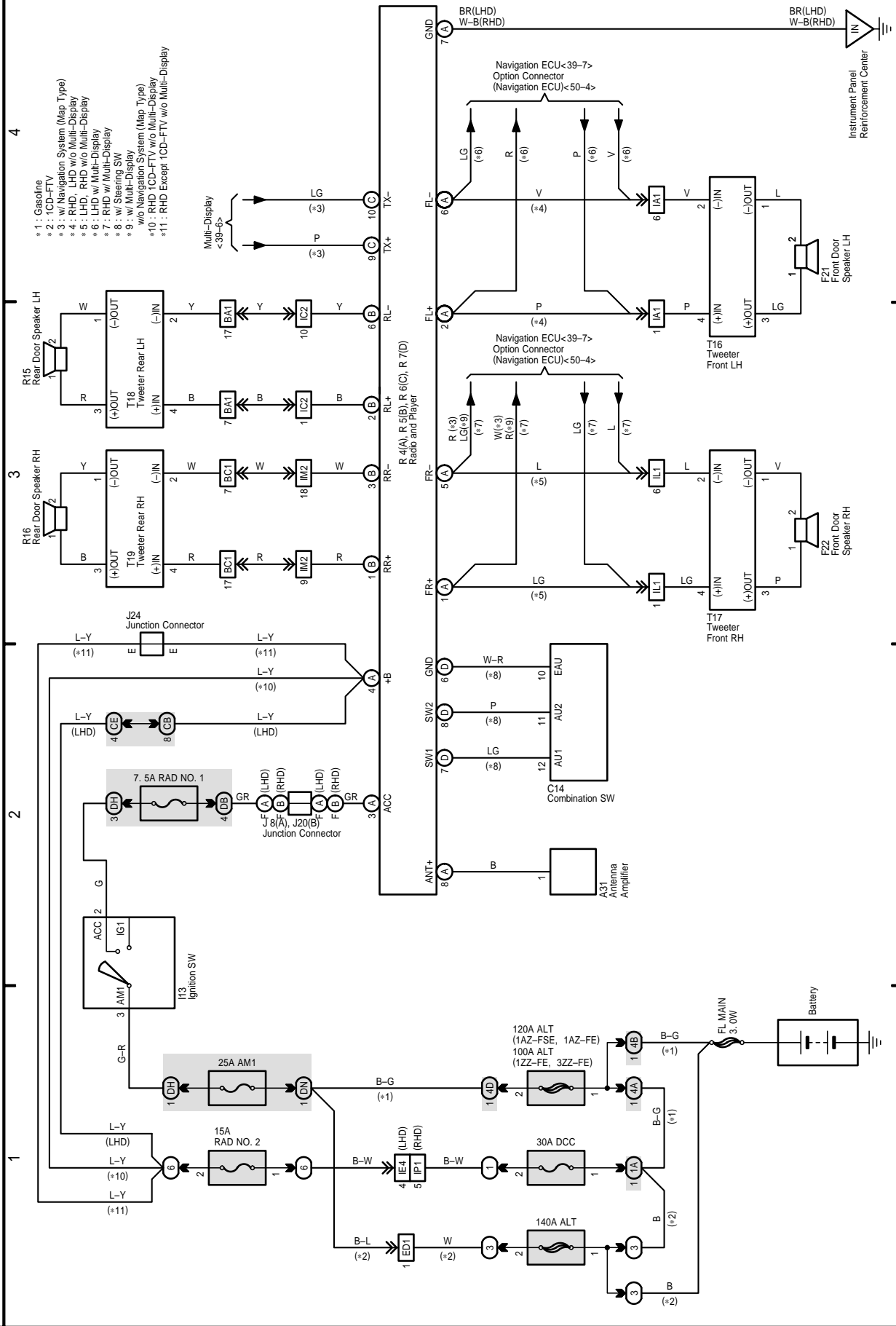
M OVERALL ELECTRICAL WIRING DIAGRAM

40 AVENSIS

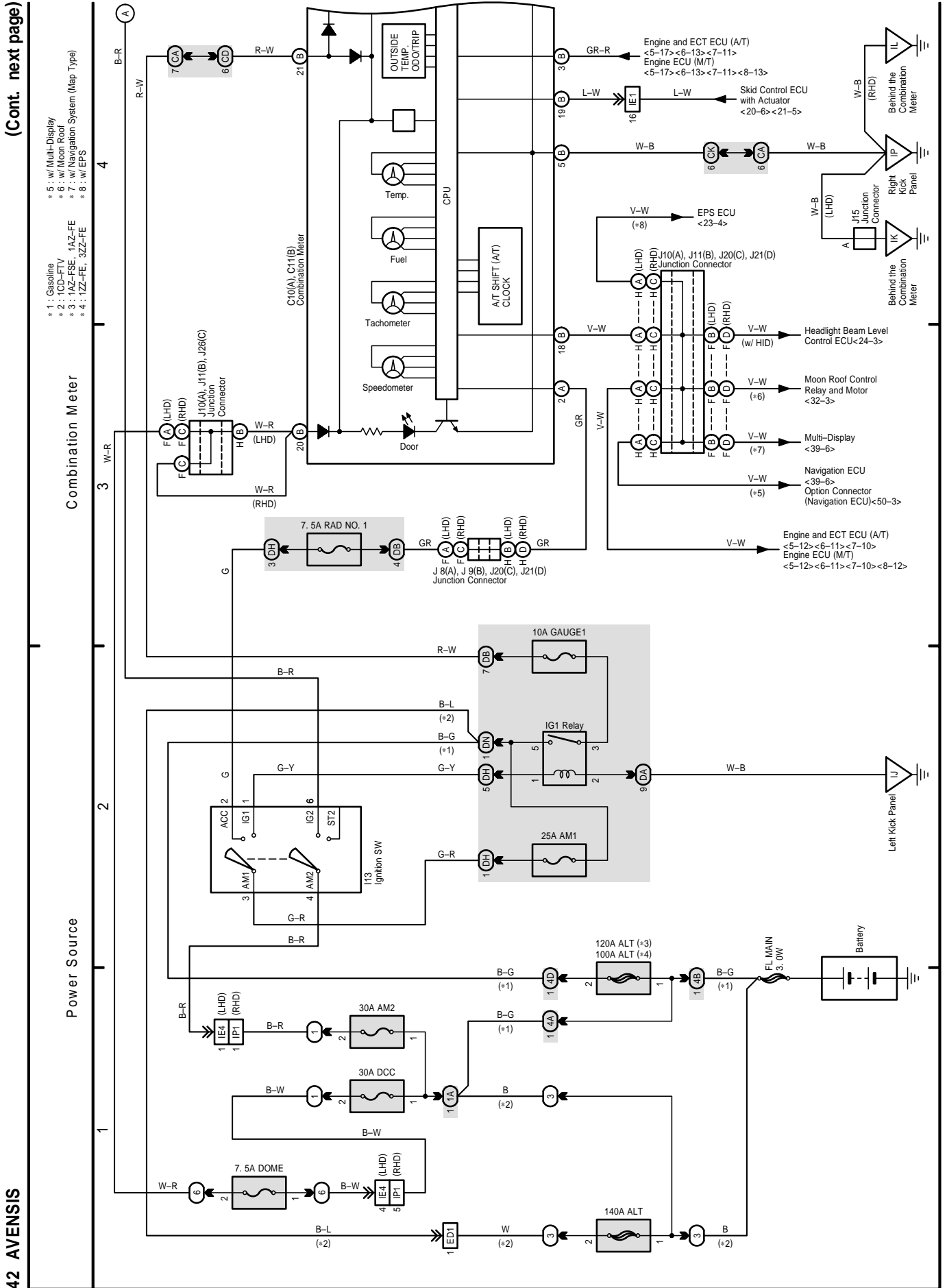


Power Source

Radio and Player

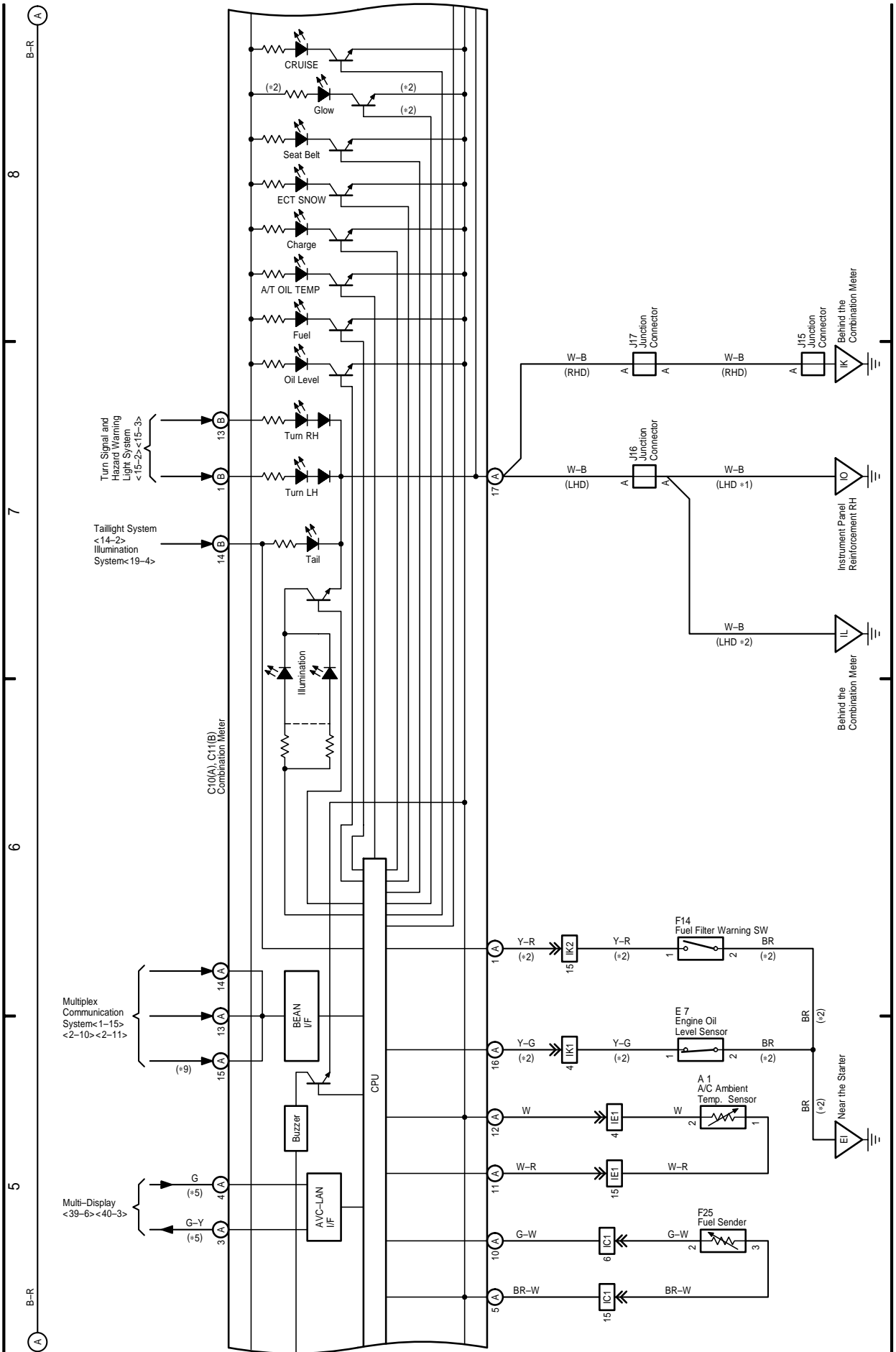


M OVERALL ELECTRICAL WIRING DIAGRAM



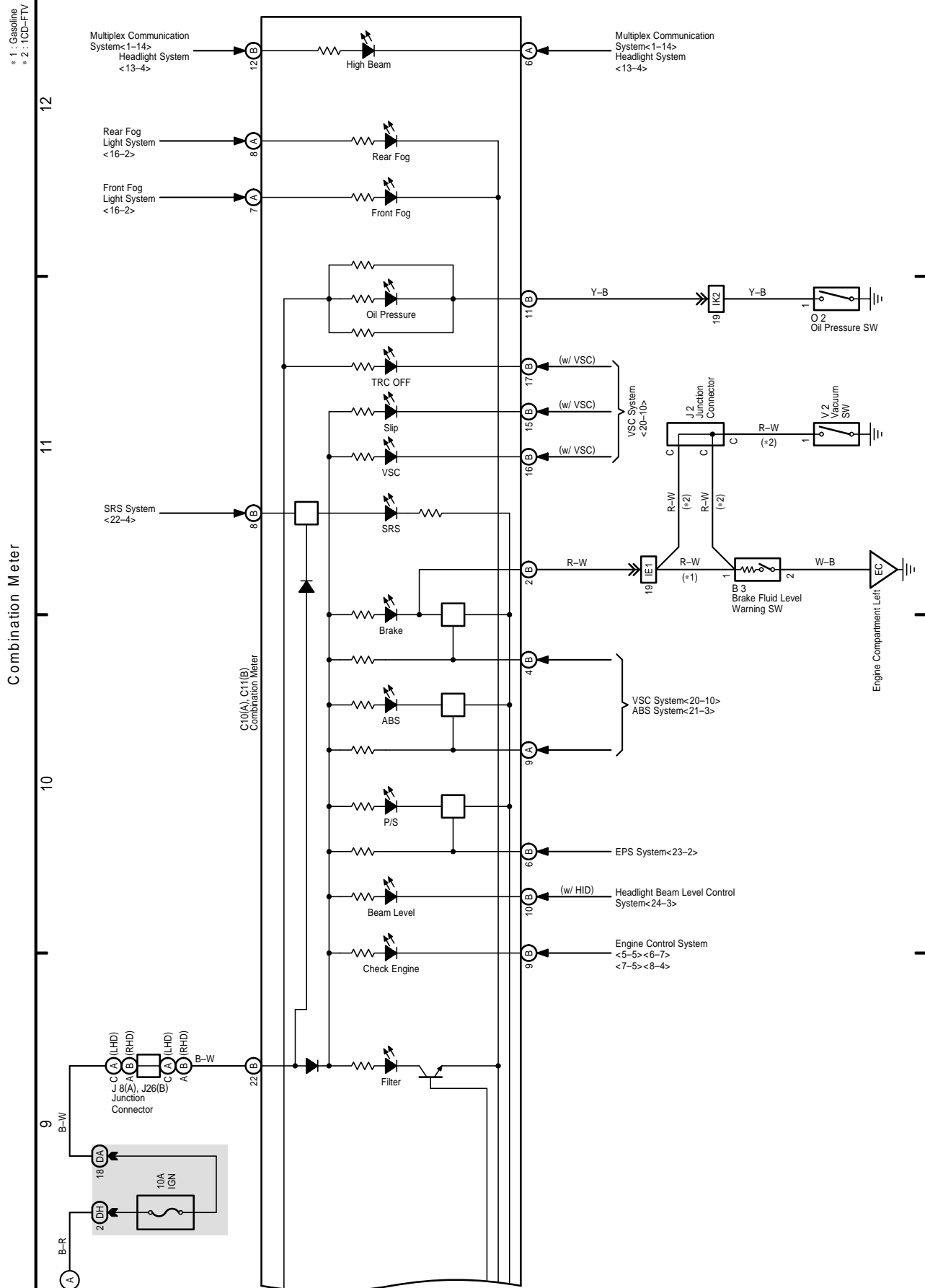
- * 1 : Gasoline
- * 2 : ICD-FTV
- * 5 : w/ Multi-Display
- * 9 : w/ Theft Deterrent

Combination Meter

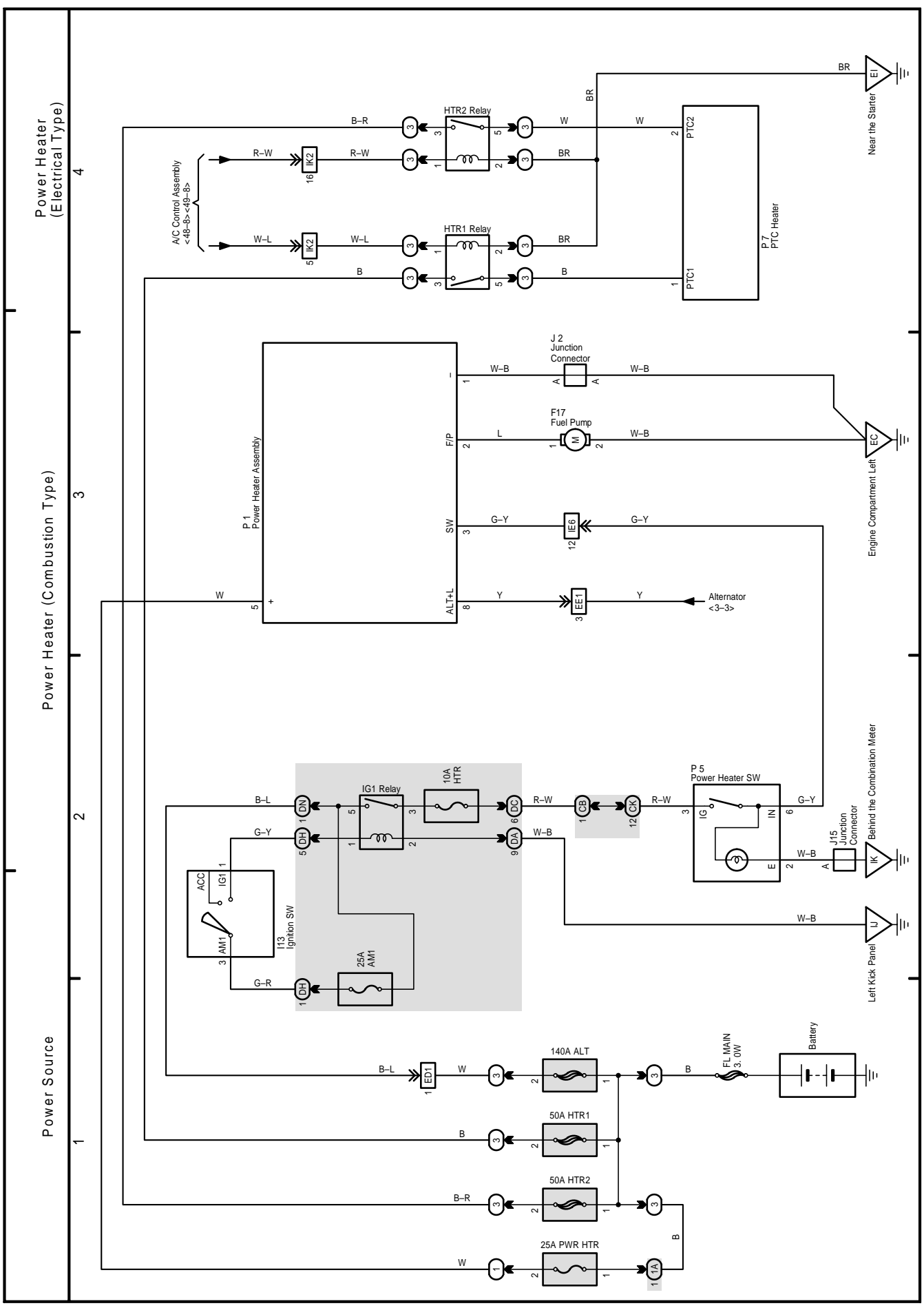


M OVERALL ELECTRICAL WIRING DIAGRAM

42 AVENSIS (Cont' d)

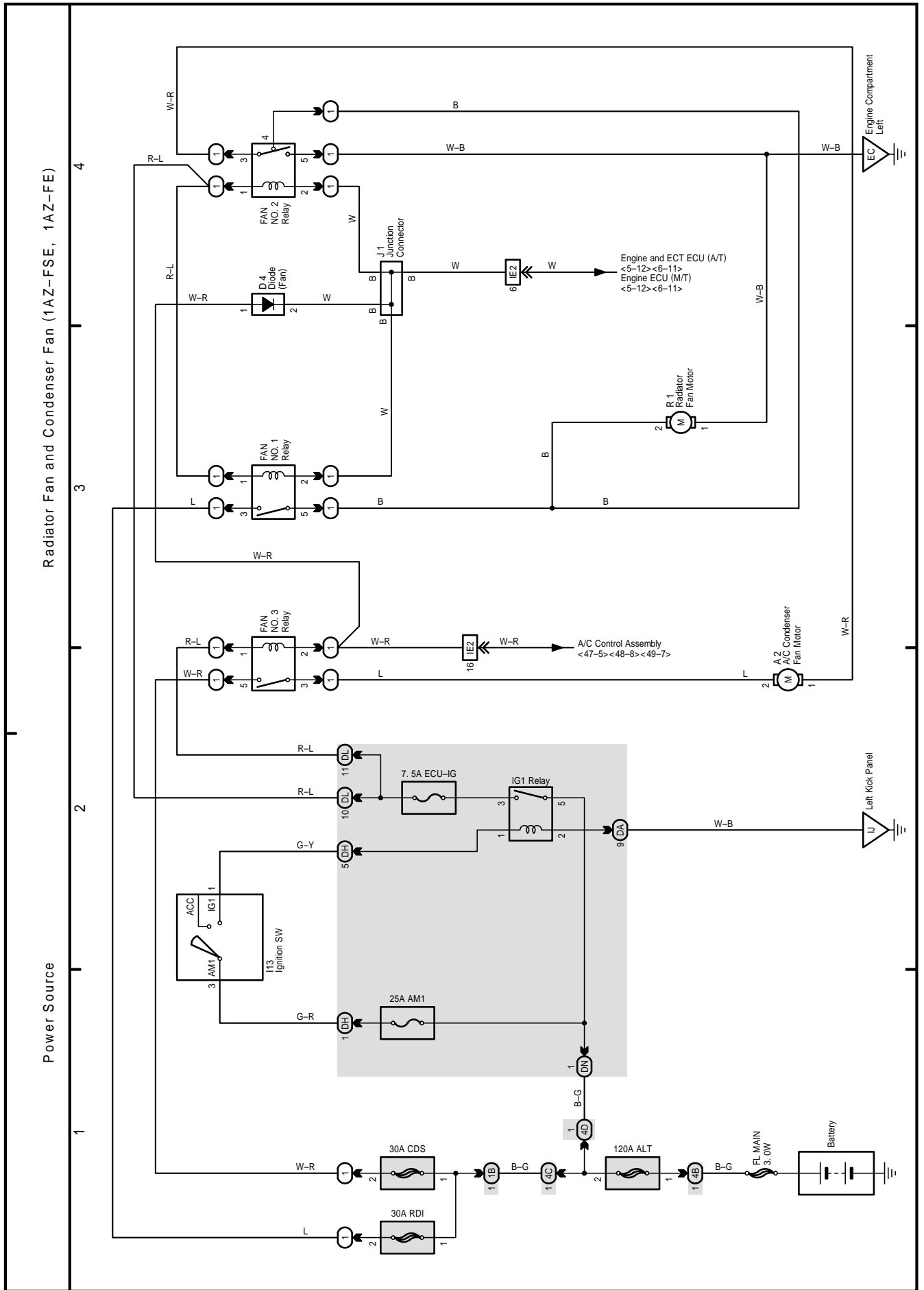


43 AVENSIS



M OVERALL ELECTRICAL WIRING DIAGRAM

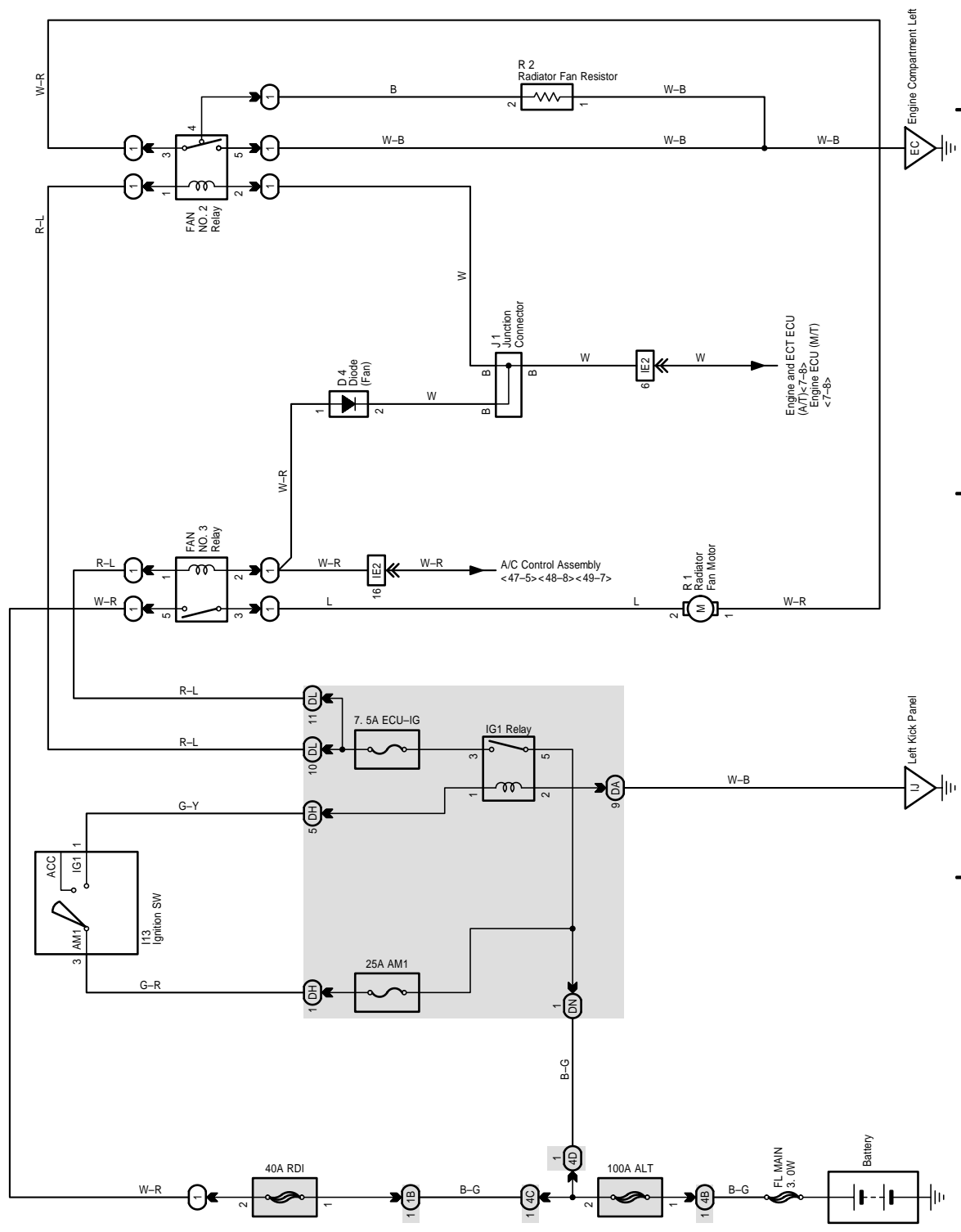
44 AVENSIS



45 AVENSIS

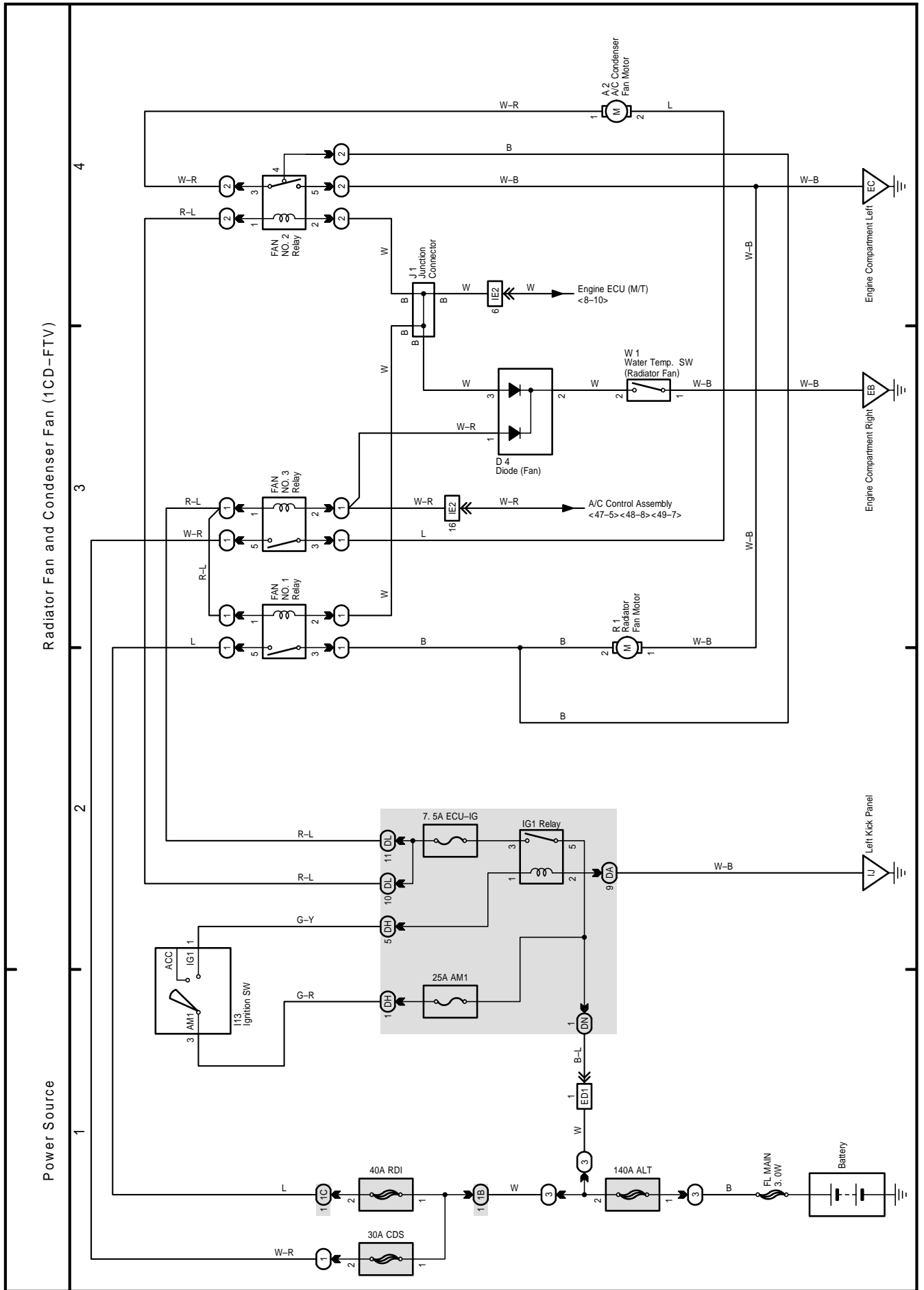
Radiator Fan (1ZZ-FE, 3ZZ-FE)

Power Source 1 2 3 4



M OVERALL ELECTRICAL WIRING DIAGRAM

46 AVENSIS



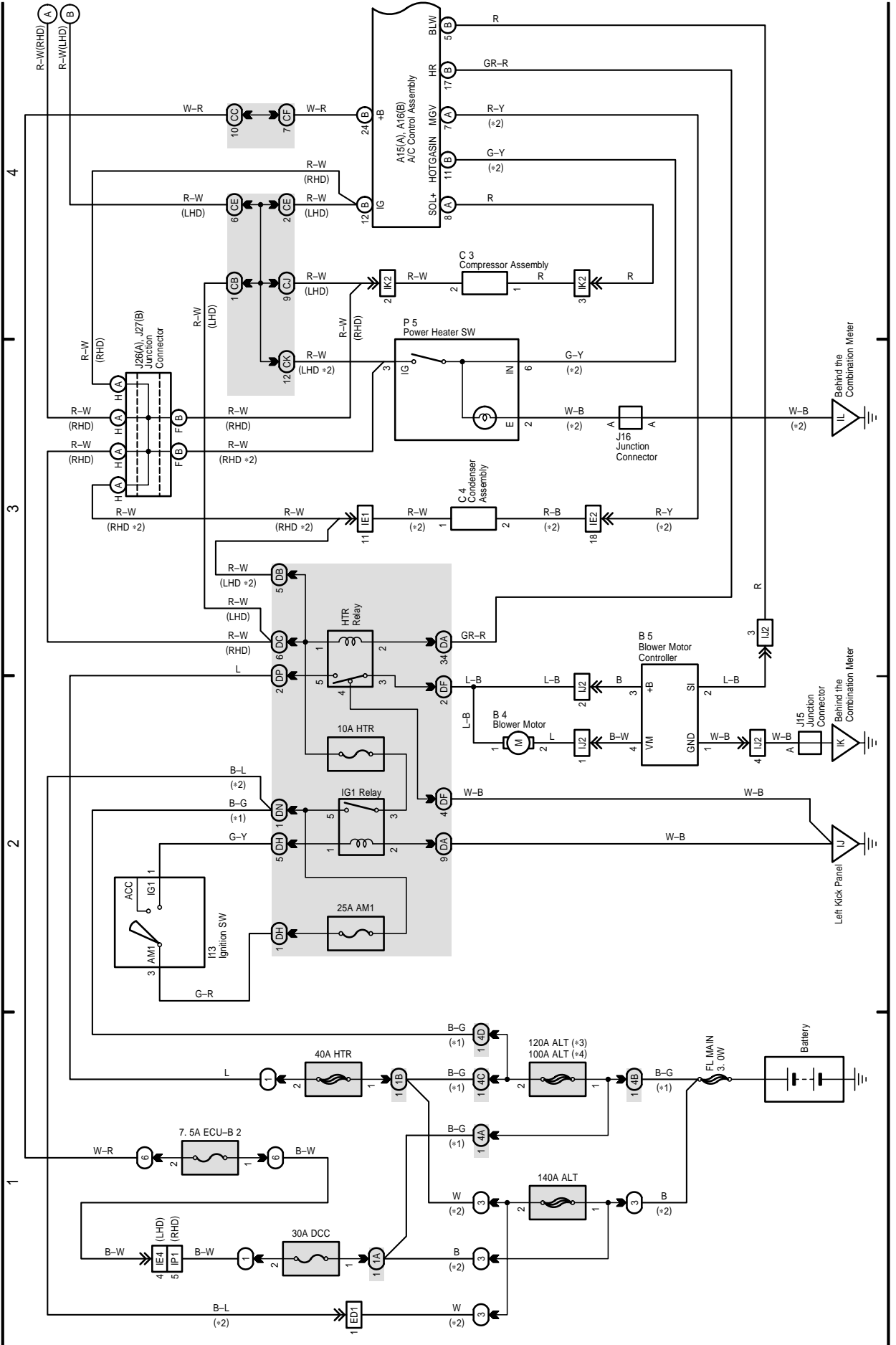
M OVERALL ELECTRICAL WIRING DIAGRAM

47 AVENSIS

(Cont. next page)

Air Conditioner (Automatic A/C) and Power Heater (Hot Gas Type Automatic A/C)

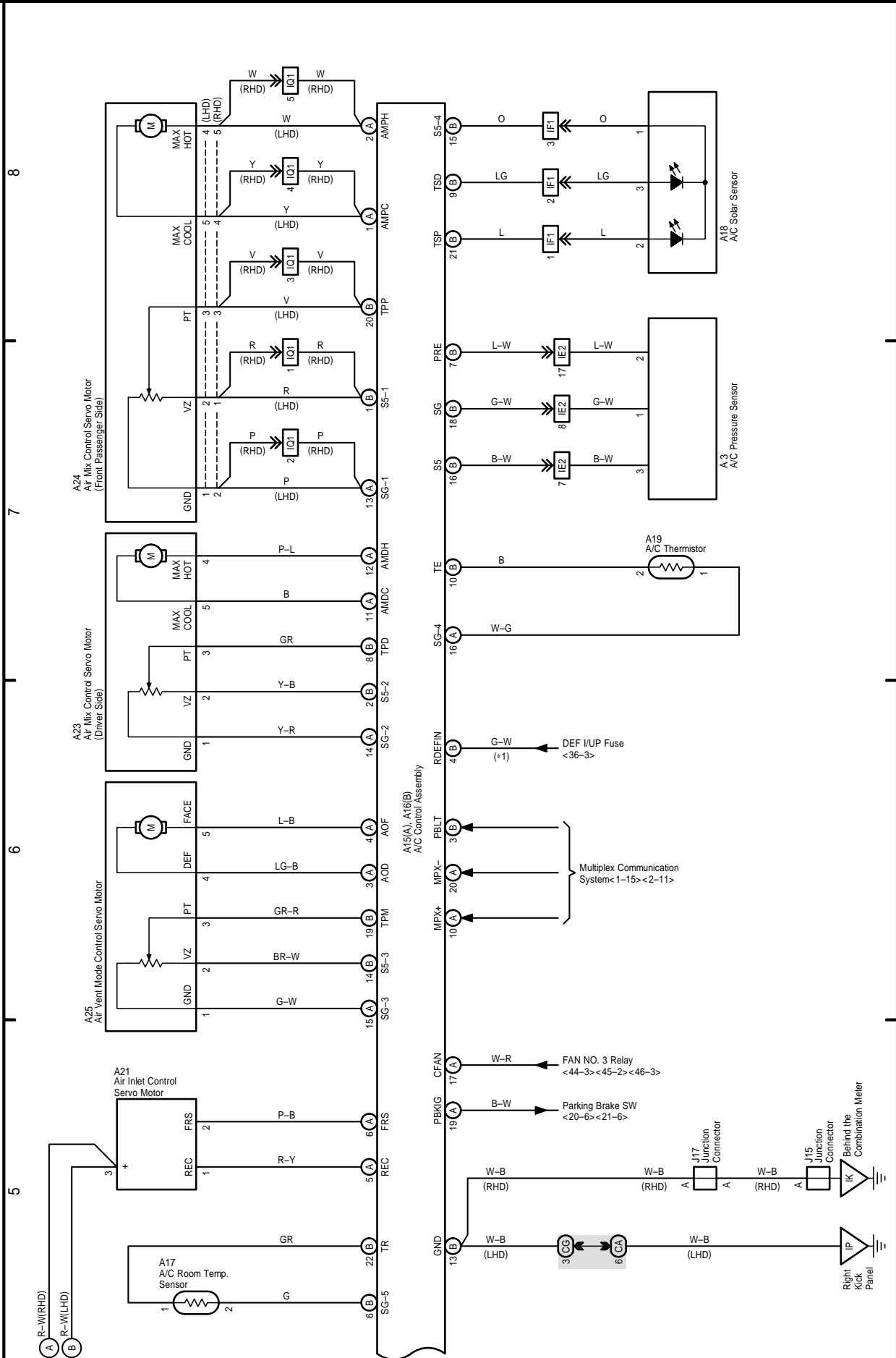
- * 1 : Gasoline
- * 2 : TCD-FIV w/ Power Heater (Hot Gas Type)
- * 3 : 1AZ-FSE, 1AZ-FE
- * 4 : 1ZZ-FE, 3ZZ-FE



47 AVENSIS (Cont' d)

Air Conditioner (Automatic A/C) and Power Heater (Hot Gas Type Automatic A/C)

* 1 : Gasoline

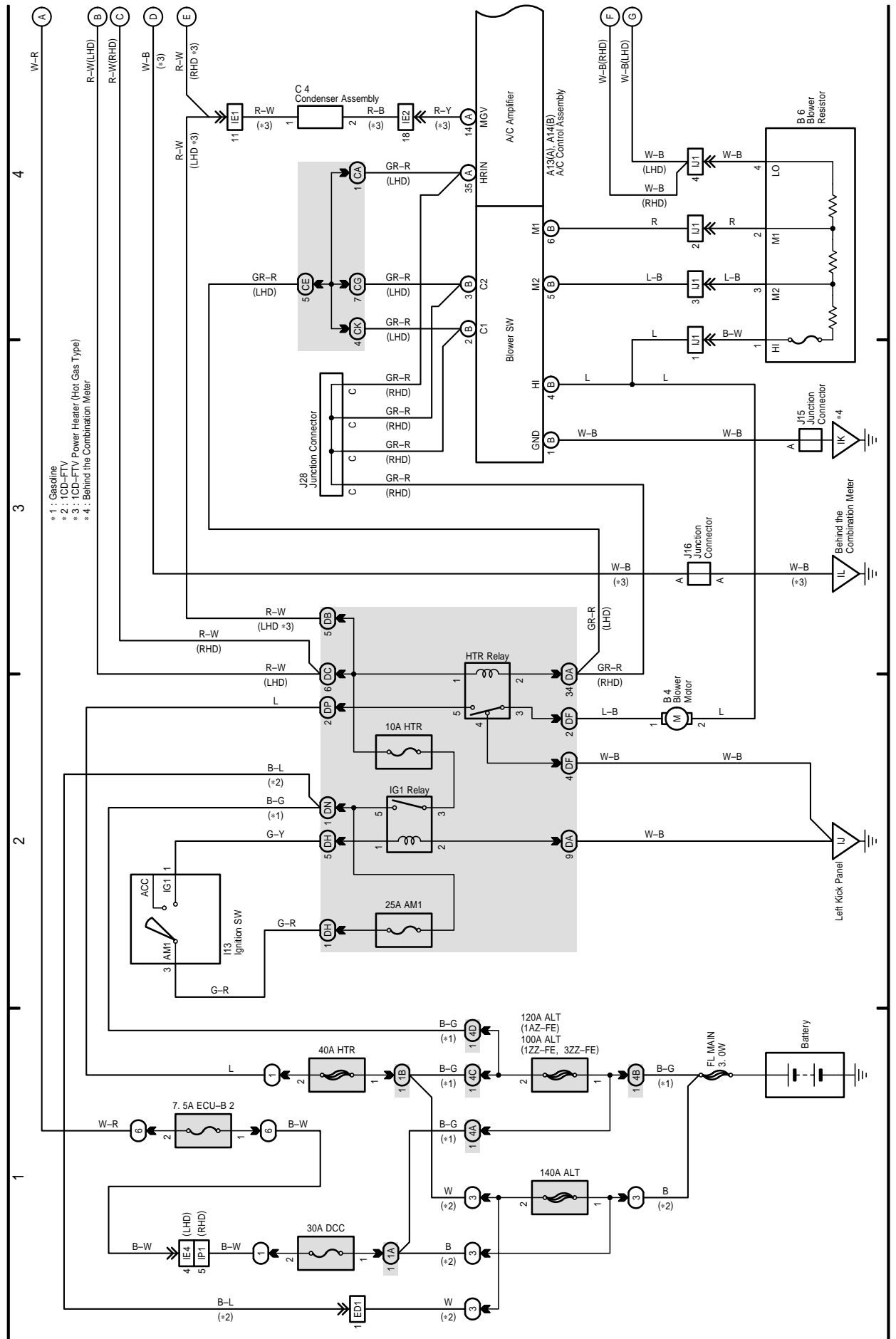


M OVERALL ELECTRICAL WIRING DIAGRAM

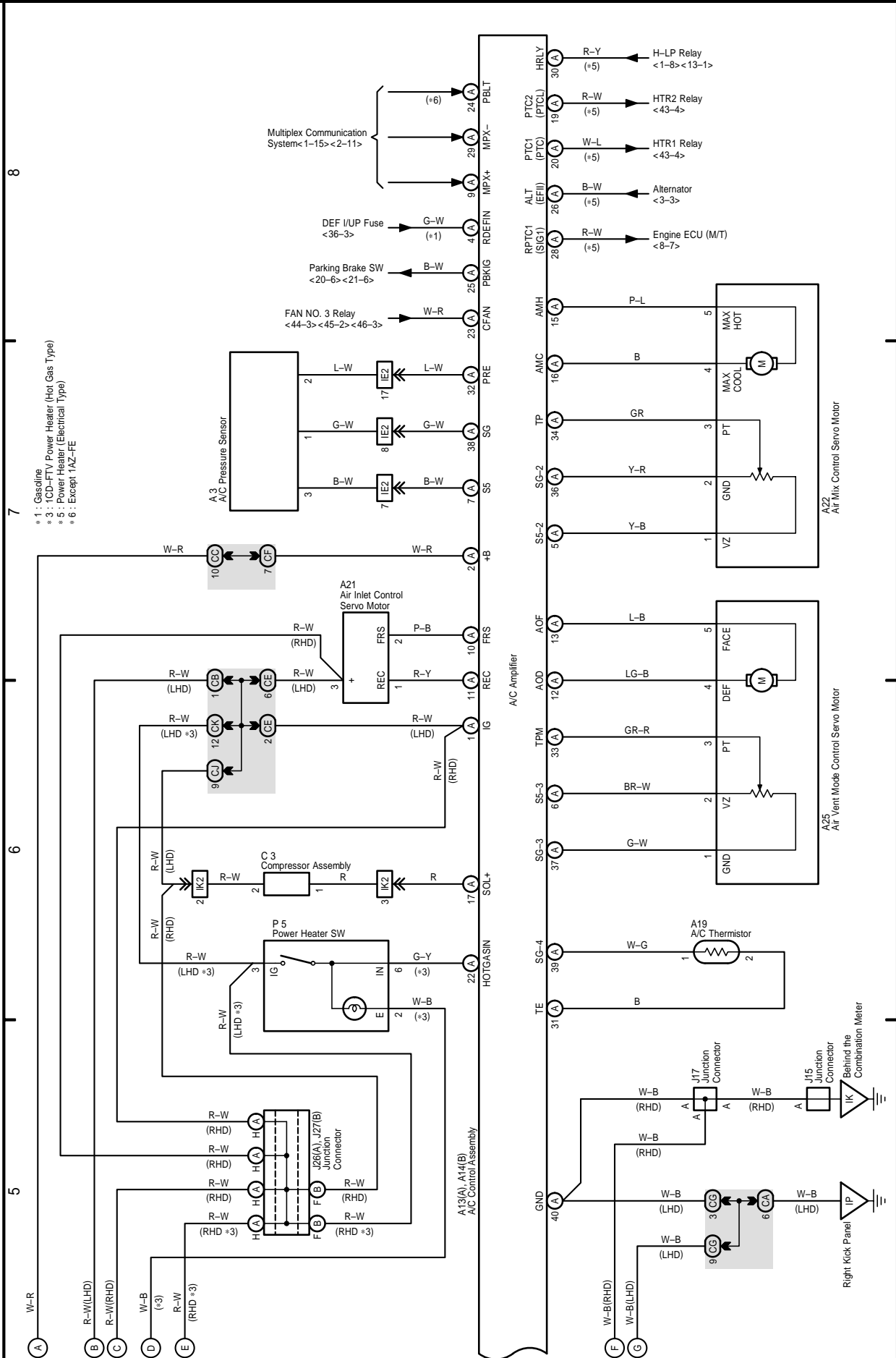
(Cont. next page)

48 AVENSIS

Air Conditioner (Manual A/C) and Power Heater (Hot Gas Type Manual A/C)



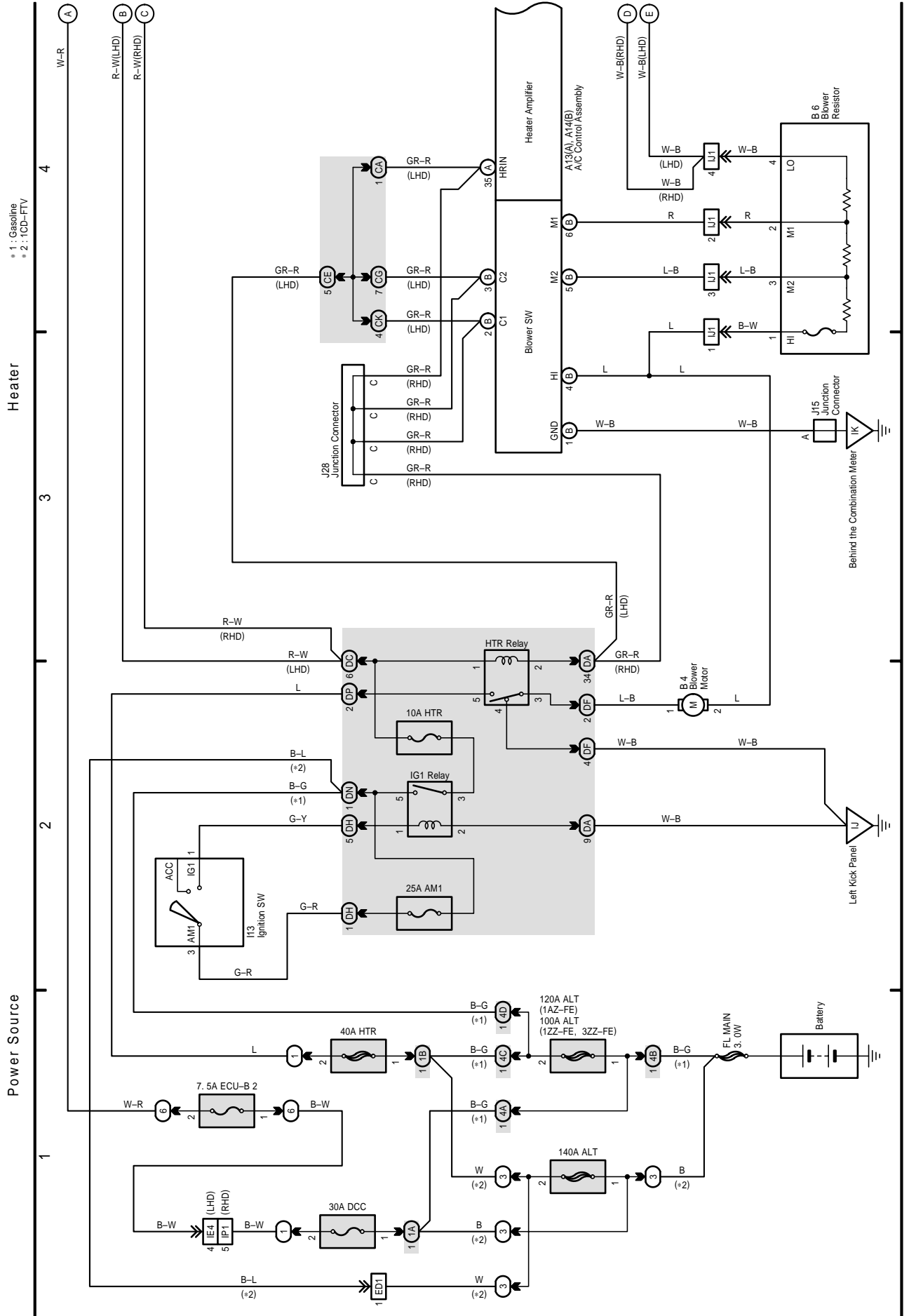
Air Conditioner (Manual A/C) and Power Heater (Hot Gas Type Manual A/C)



M OVERALL ELECTRICAL WIRING DIAGRAM

(Cont. next page)

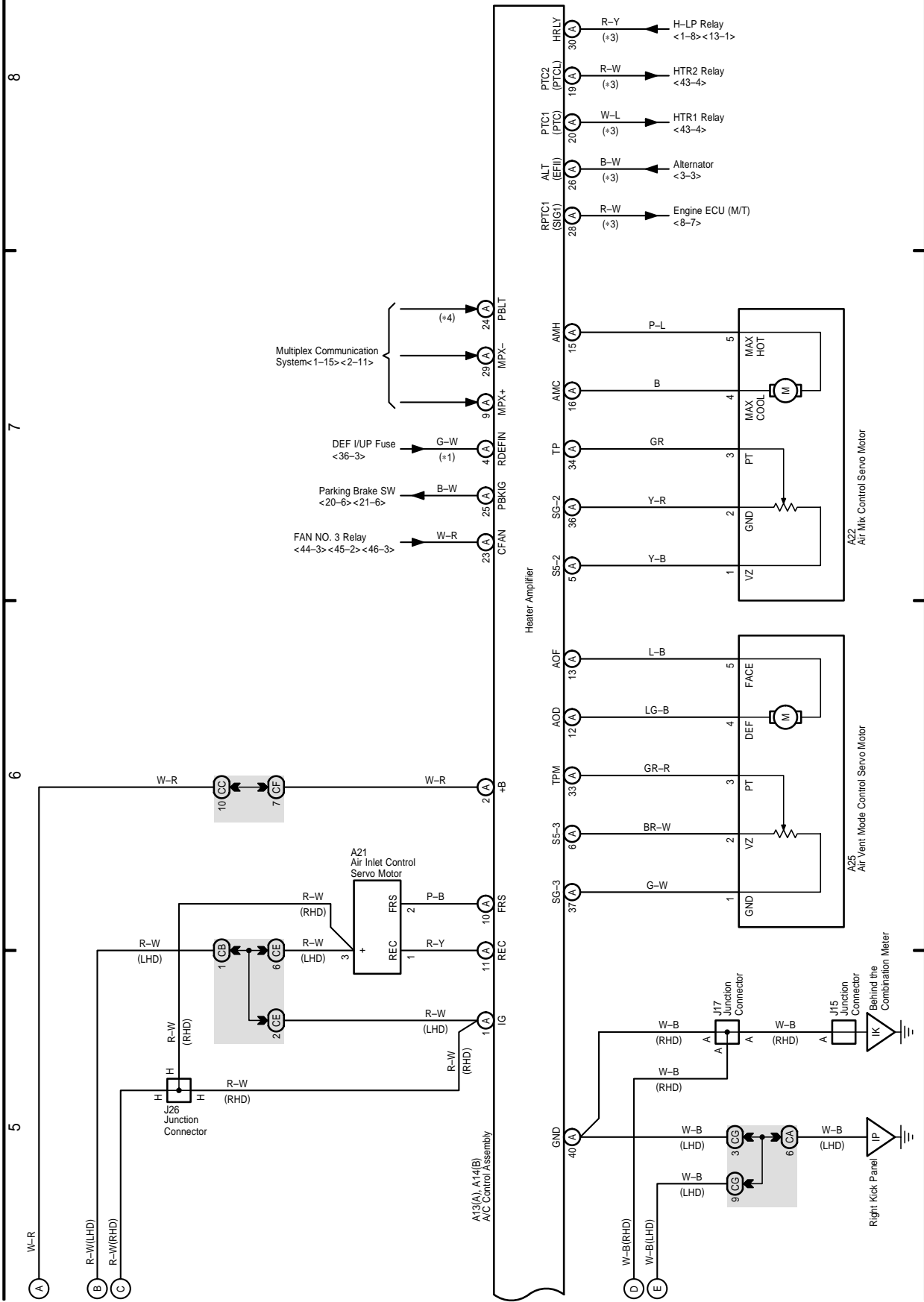
49 AVENSIS



49 AVENSIS (Cont' d)

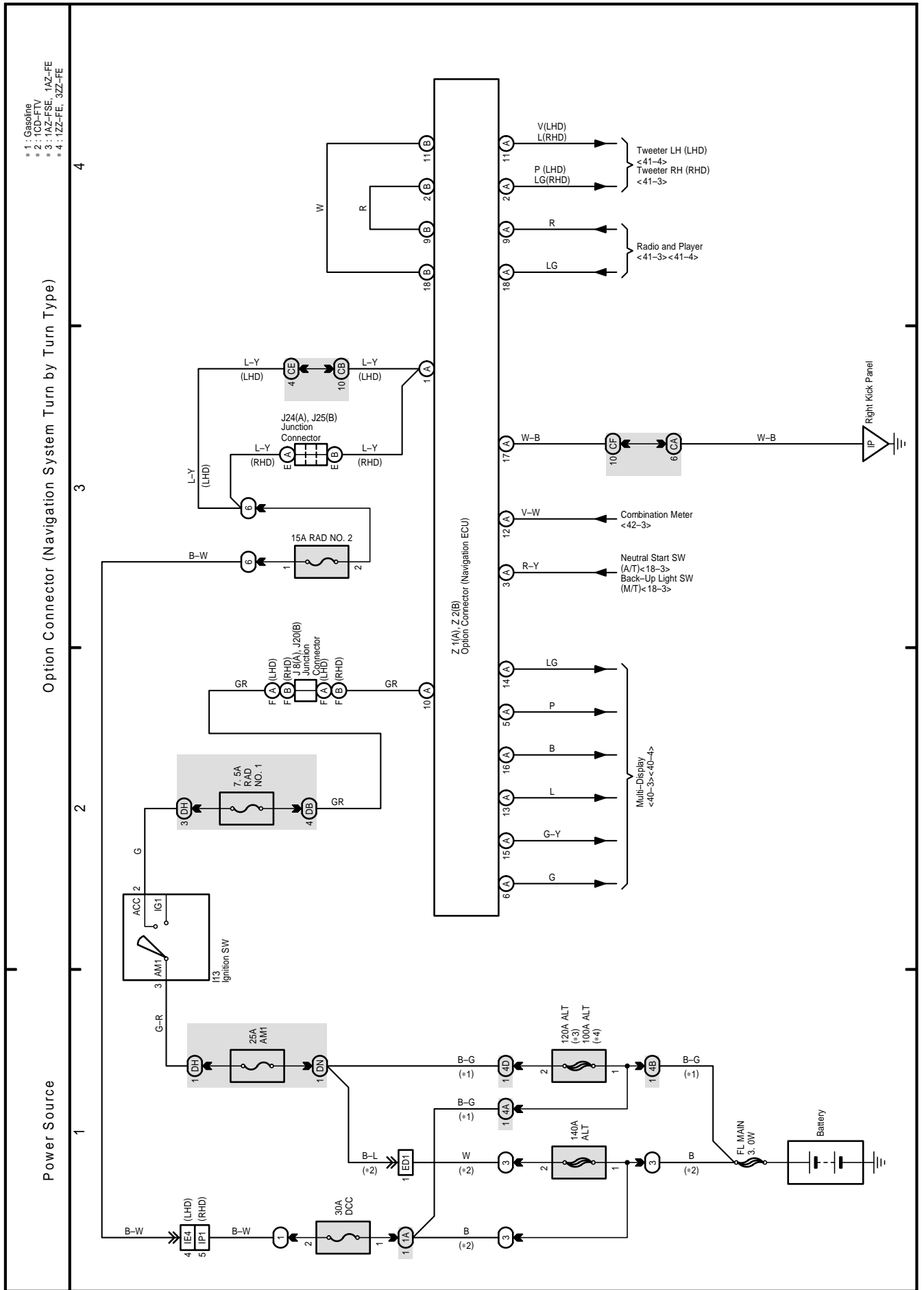
- * 1 : Gasoline
- * 3 : Power Heater (Electrical Type)
- * 4 : Except 1A2-FE

Heater



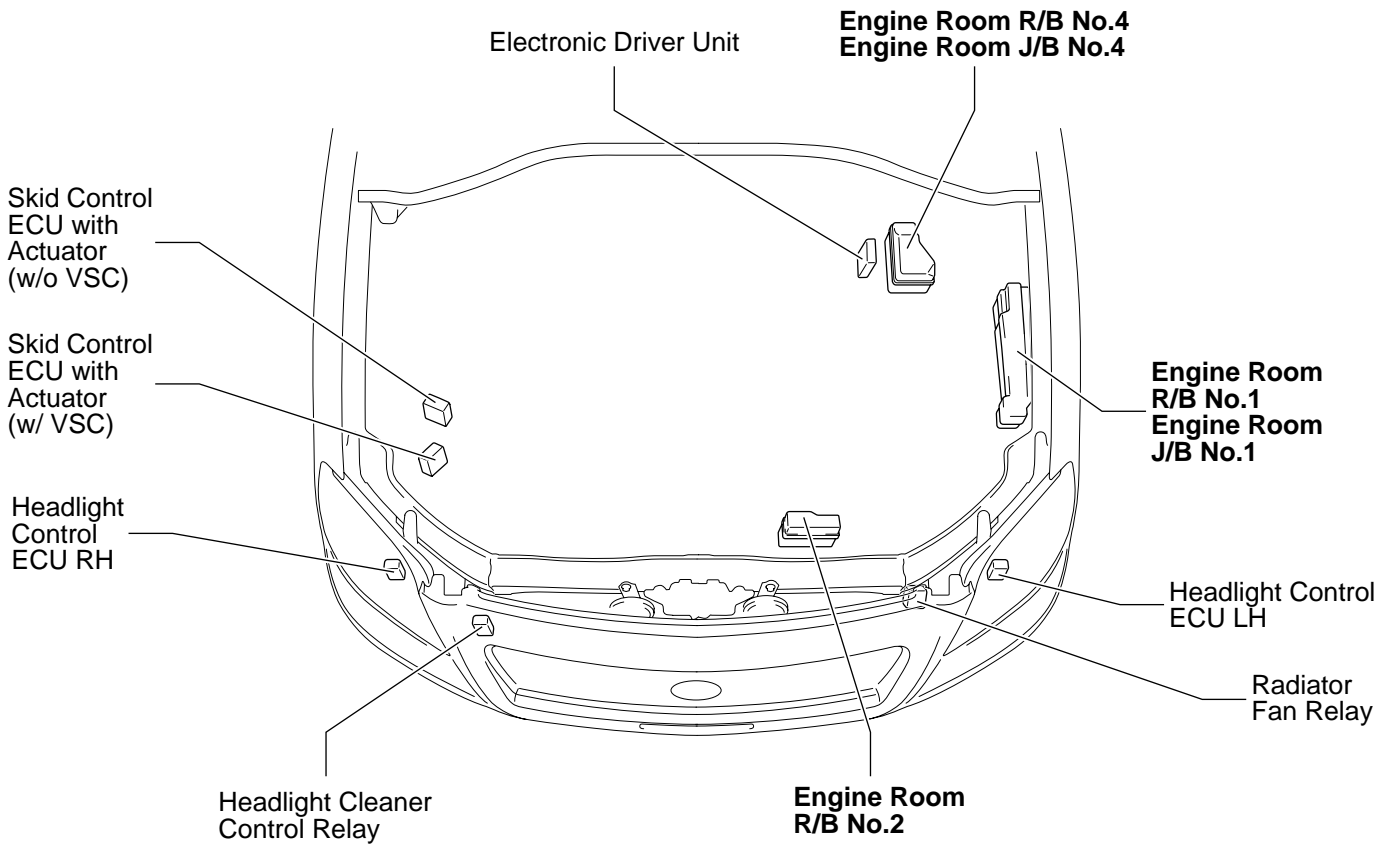
M OVERALL ELECTRICAL WIRING DIAGRAM

50 AVENSIS

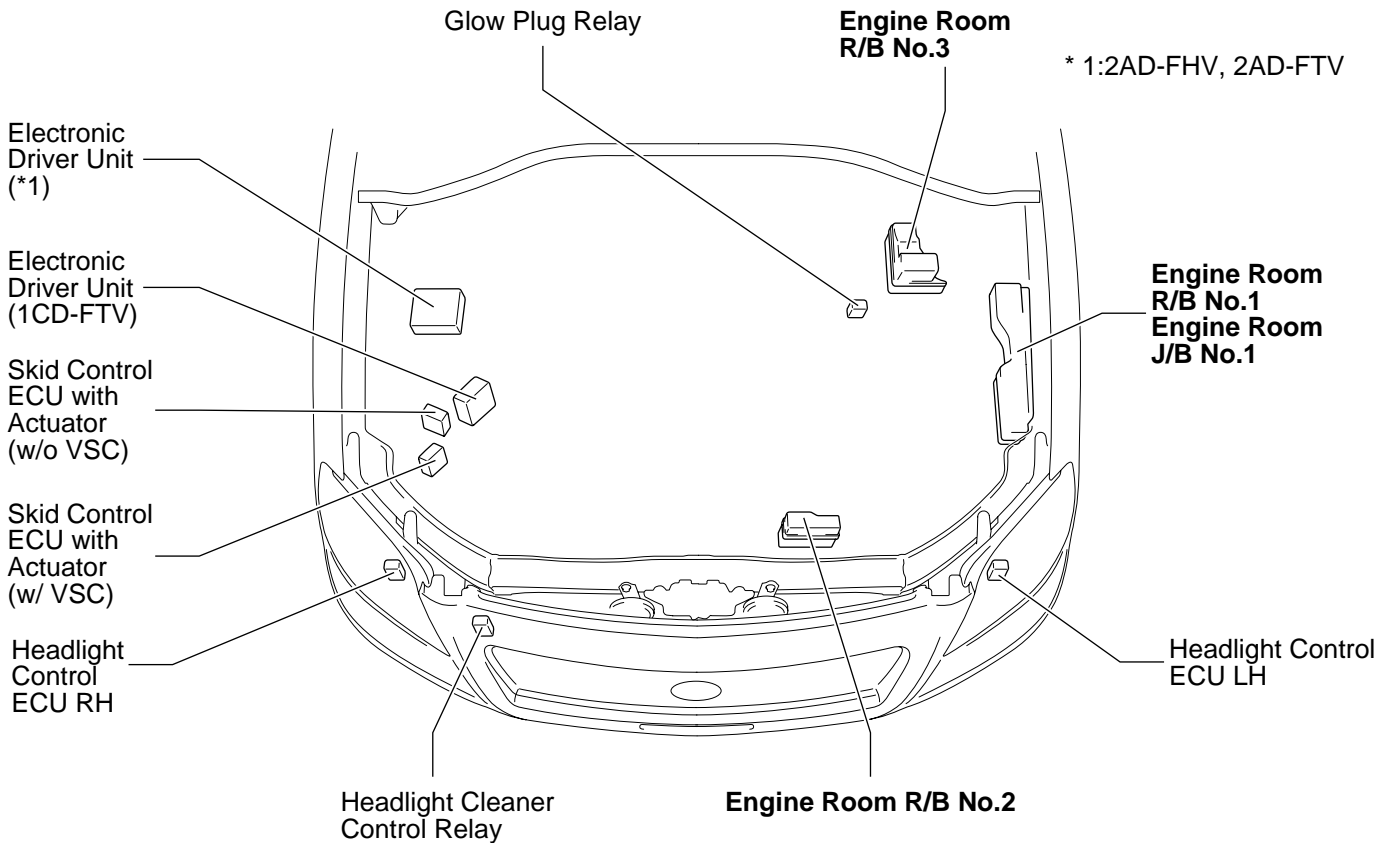


D RELAY LOCATIONS

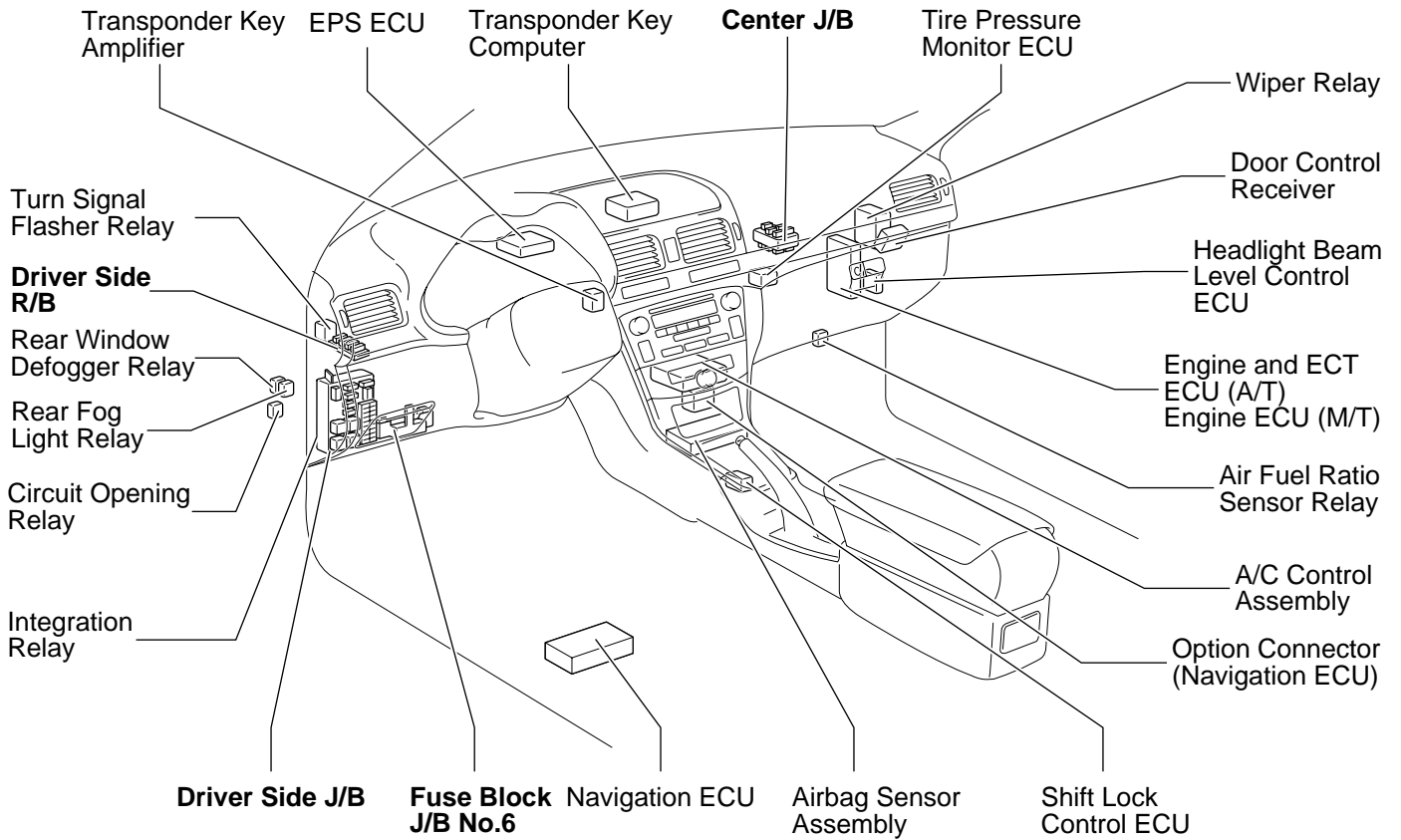
[Engine Compartment] (Gasoline)



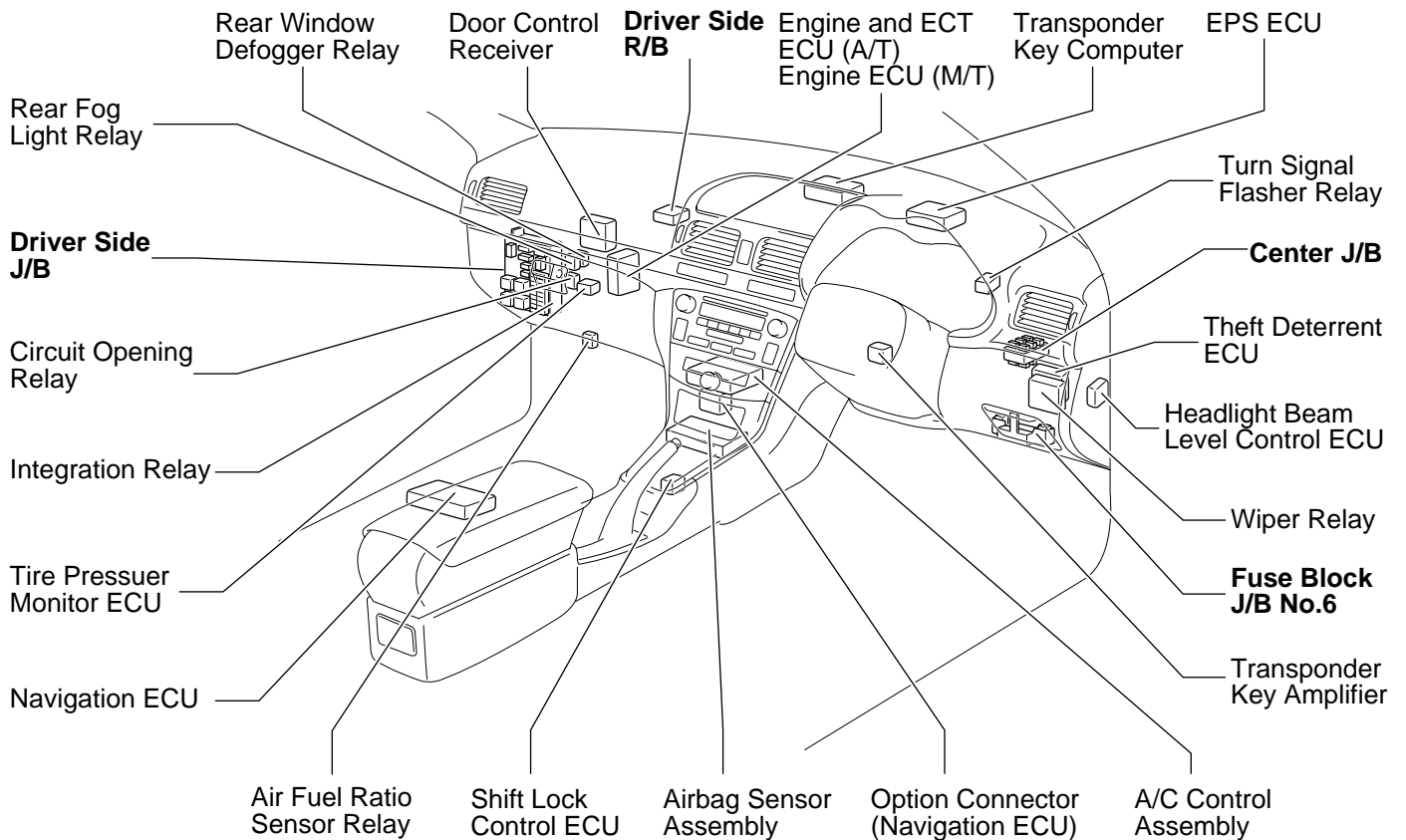
(Diesel)



**[Instrument Panel]
(LHD)**

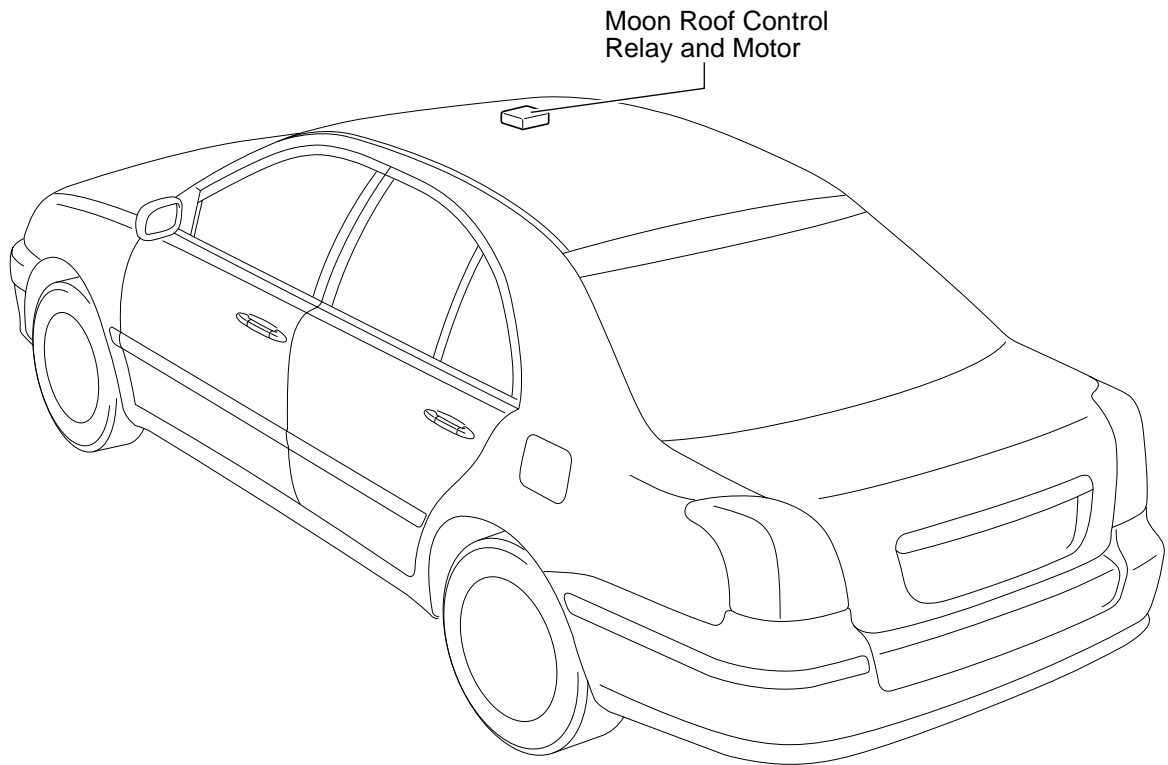


(RHD)

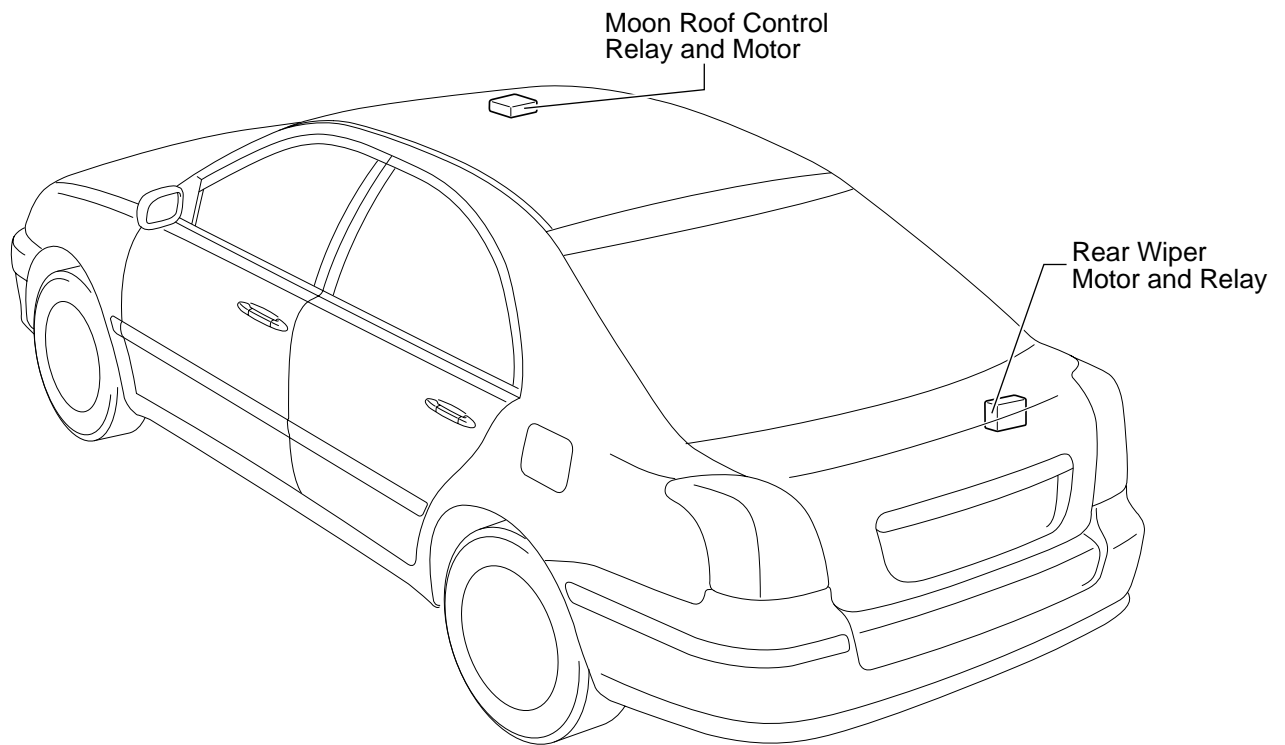


D RELAY LOCATIONS

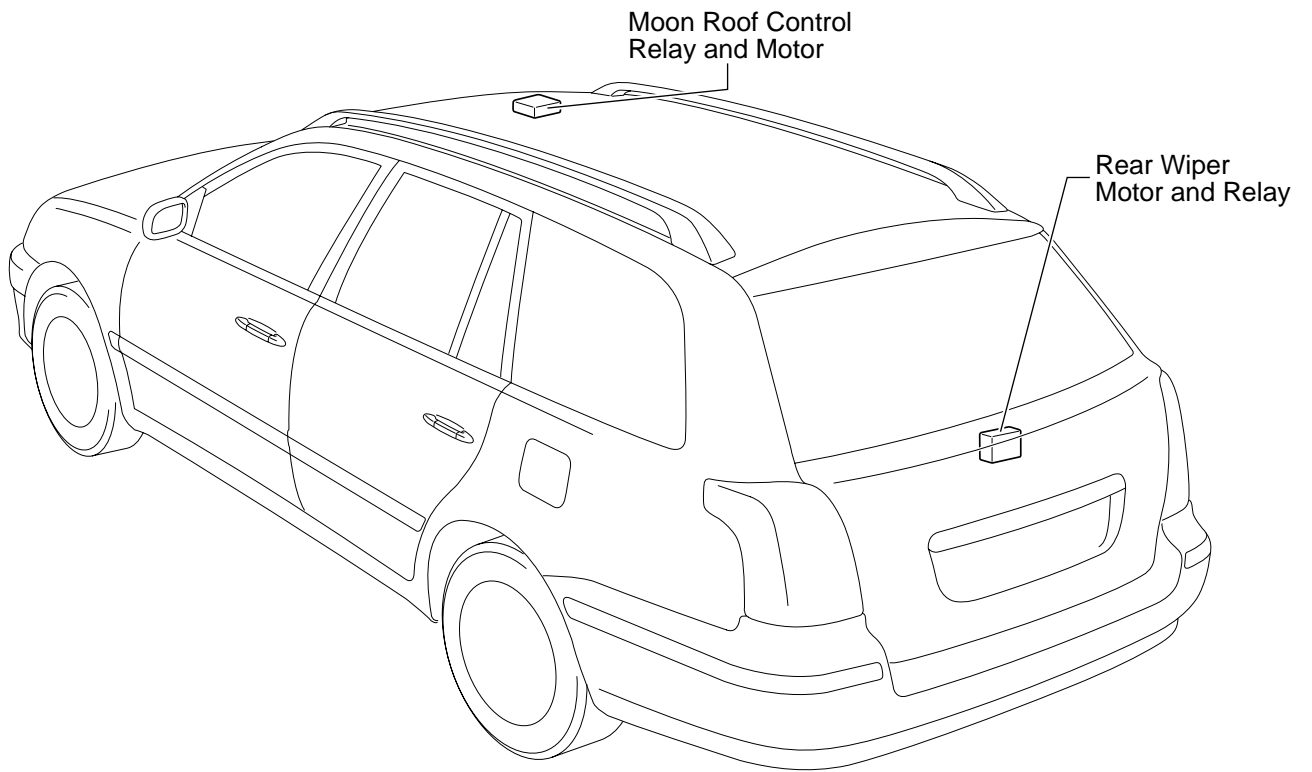
[Body]
(S/D)



(L/B)



(W/G)

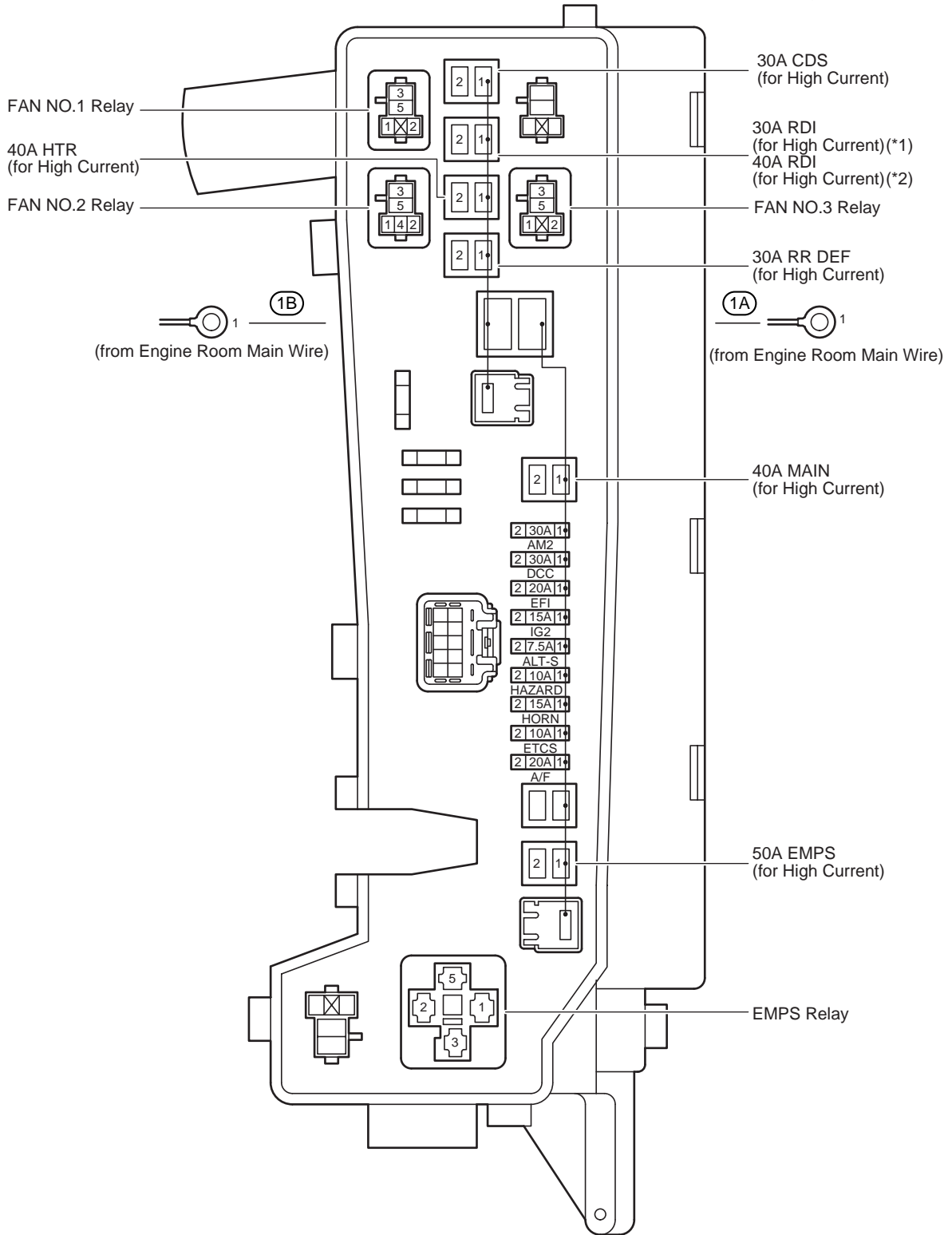


D RELAY LOCATIONS

① : Engine Room R/B No.1	Engine Compartment Left (See Page 8)
○ : Engine Room J/B No.1	

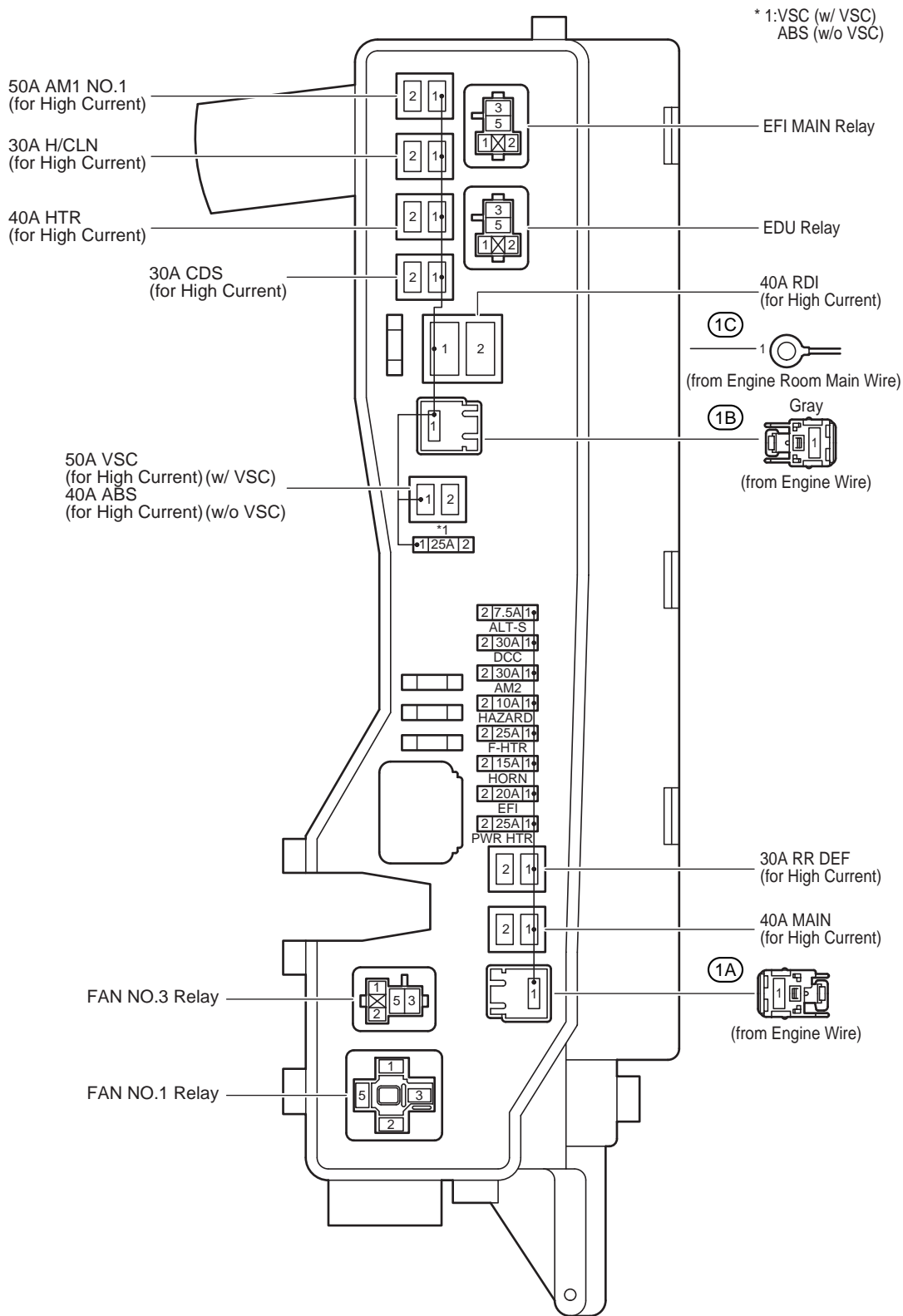
(Gasoline)

* 1:2AZ-FSE, 1AZ-FSE, 1AZ-FE
 * 2:1ZZ-FE, 3ZZ-FE



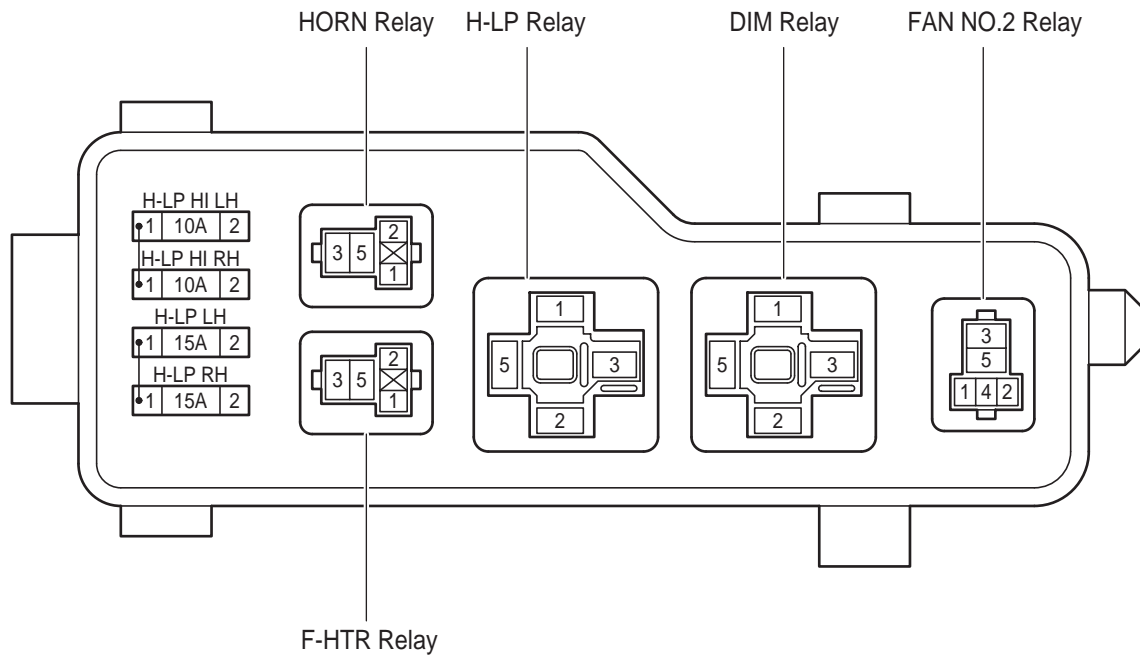
① : Engine Room R/B No.1
 ○ : Engine Room J/B No.1
Engine Compartment Left (See Page 8)

(Diesel)

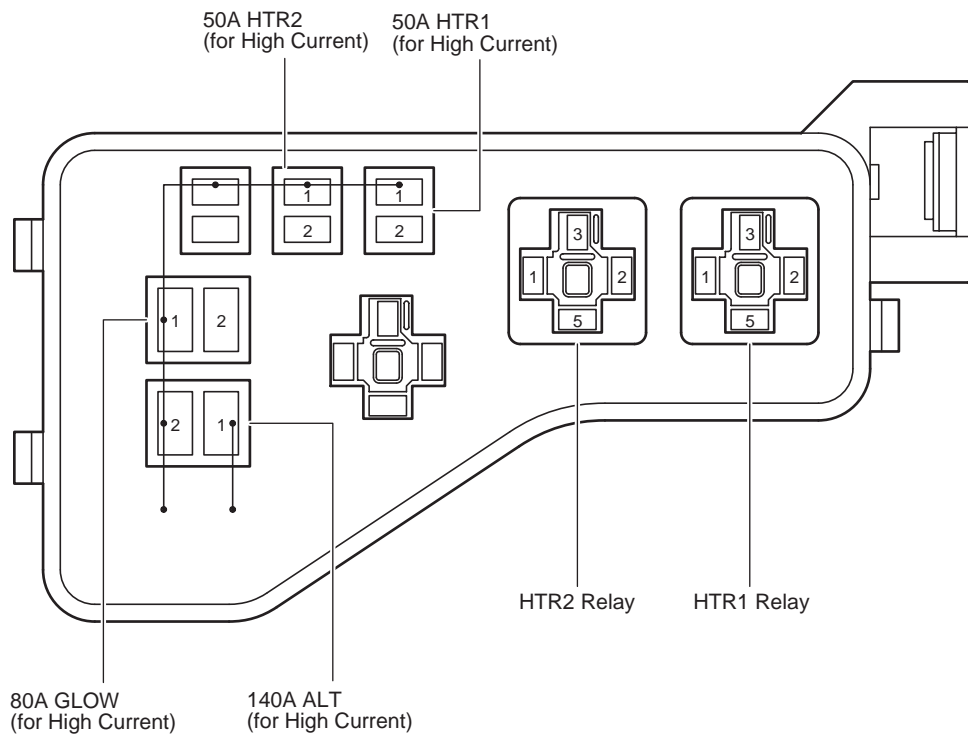


D RELAY LOCATIONS

② : Engine Room R/B No.2 Near the Radiator Fan (See Page 8)



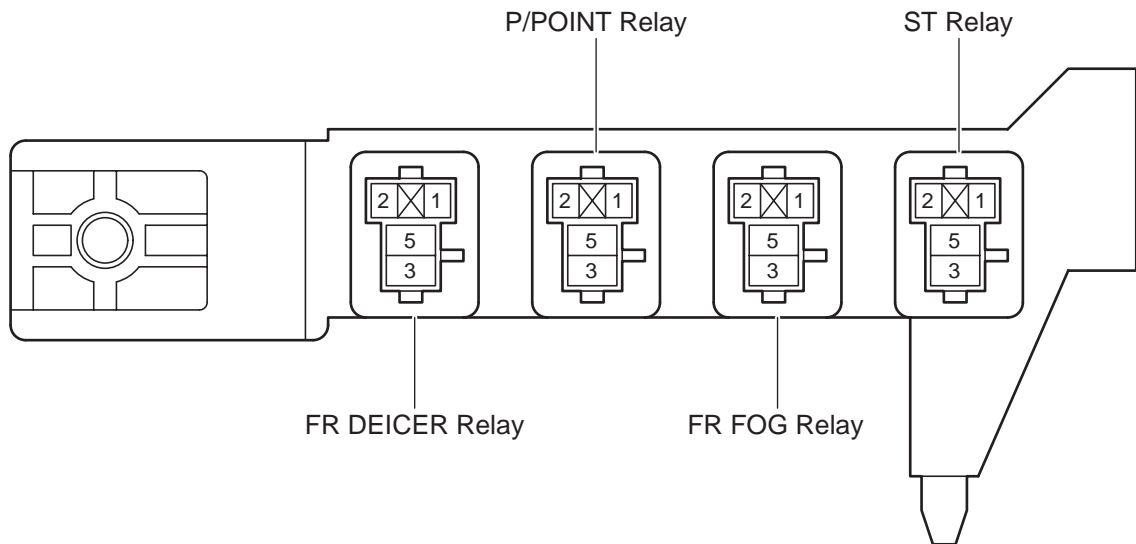
③ : Engine Room R/B No.3 Left Side of the Suspension Tower (See Page 8)
(Diesel)



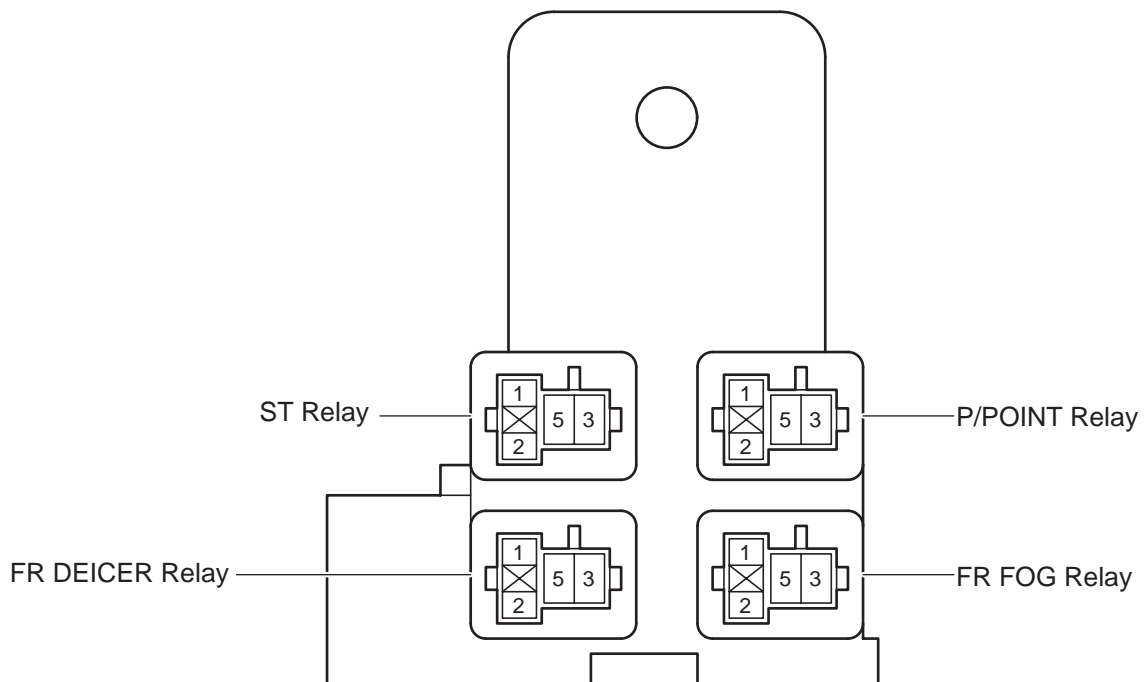
D RELAY LOCATIONS

⑤ : Driver Side R/B	LHD : Left Side of the Instrument Panel (See Page 9)
	RHD : Instrument Panel Reinforcement LH (See Page 9)

(LHD)

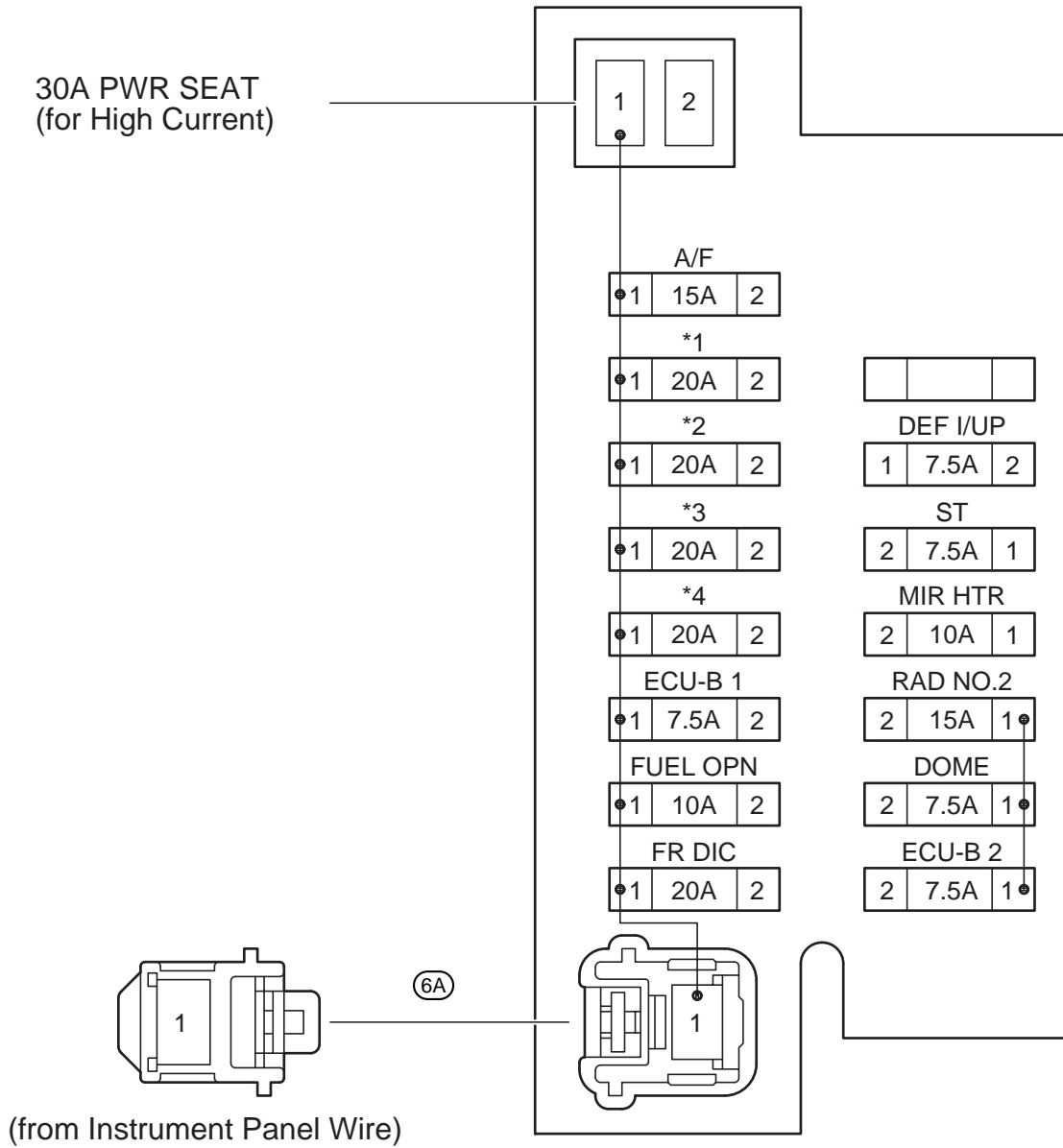


(RHD)



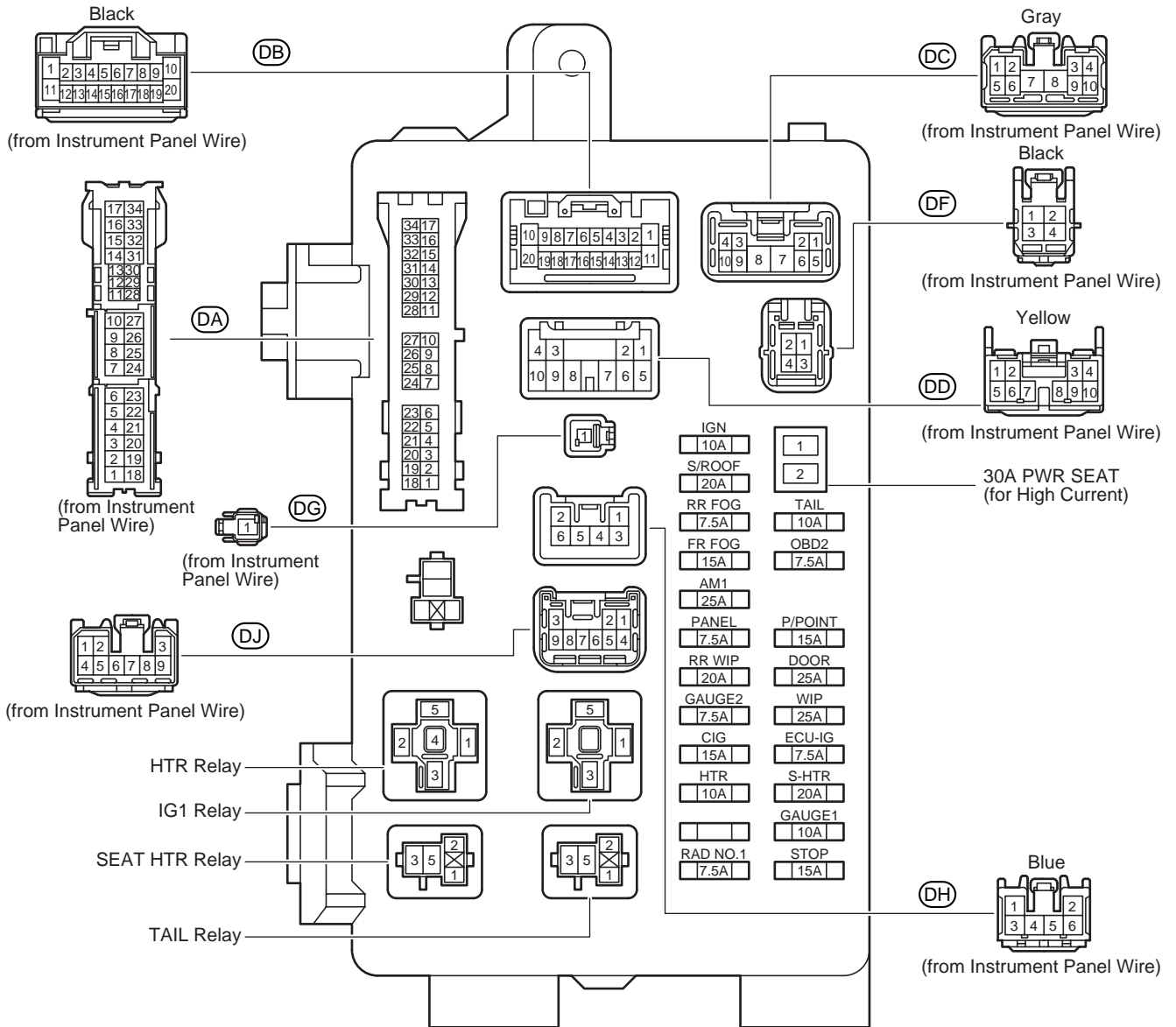
⑥ : Fuse Block	Lower Finish Panel (See Page 9)
○ : J/B No.6	

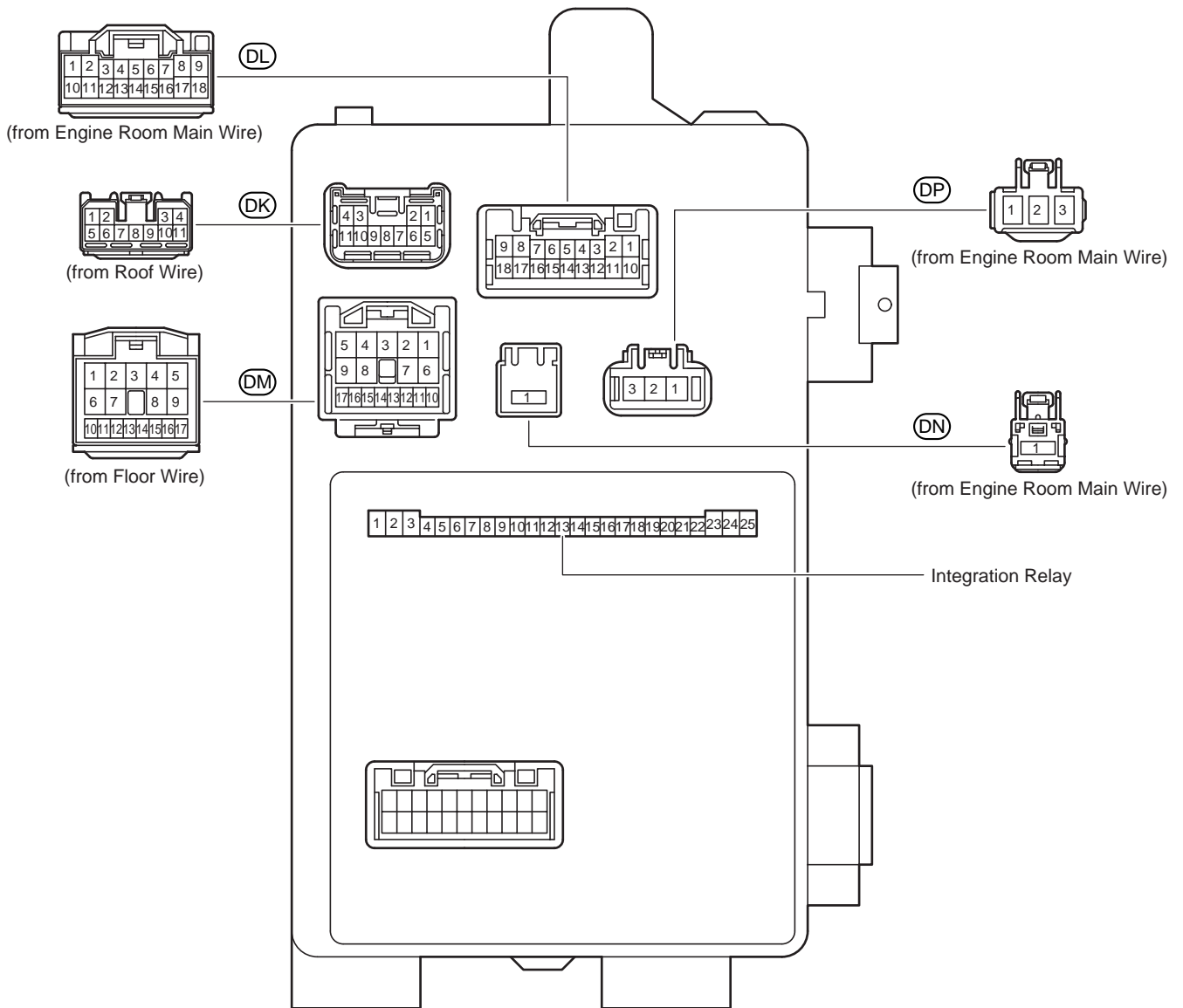
- * 1:P-RR P/W (LHD)
D-RR P/W (RHD)
- * 2:P-FR P/W (LHD)
D-FR P/W (RHD)
- * 3:D-RR P/W (LHD)
P-RR P/W (RHD)
- * 4:D-FR P/W (LHD)
P-FR P/W (RHD)



D RELAY LOCATIONS

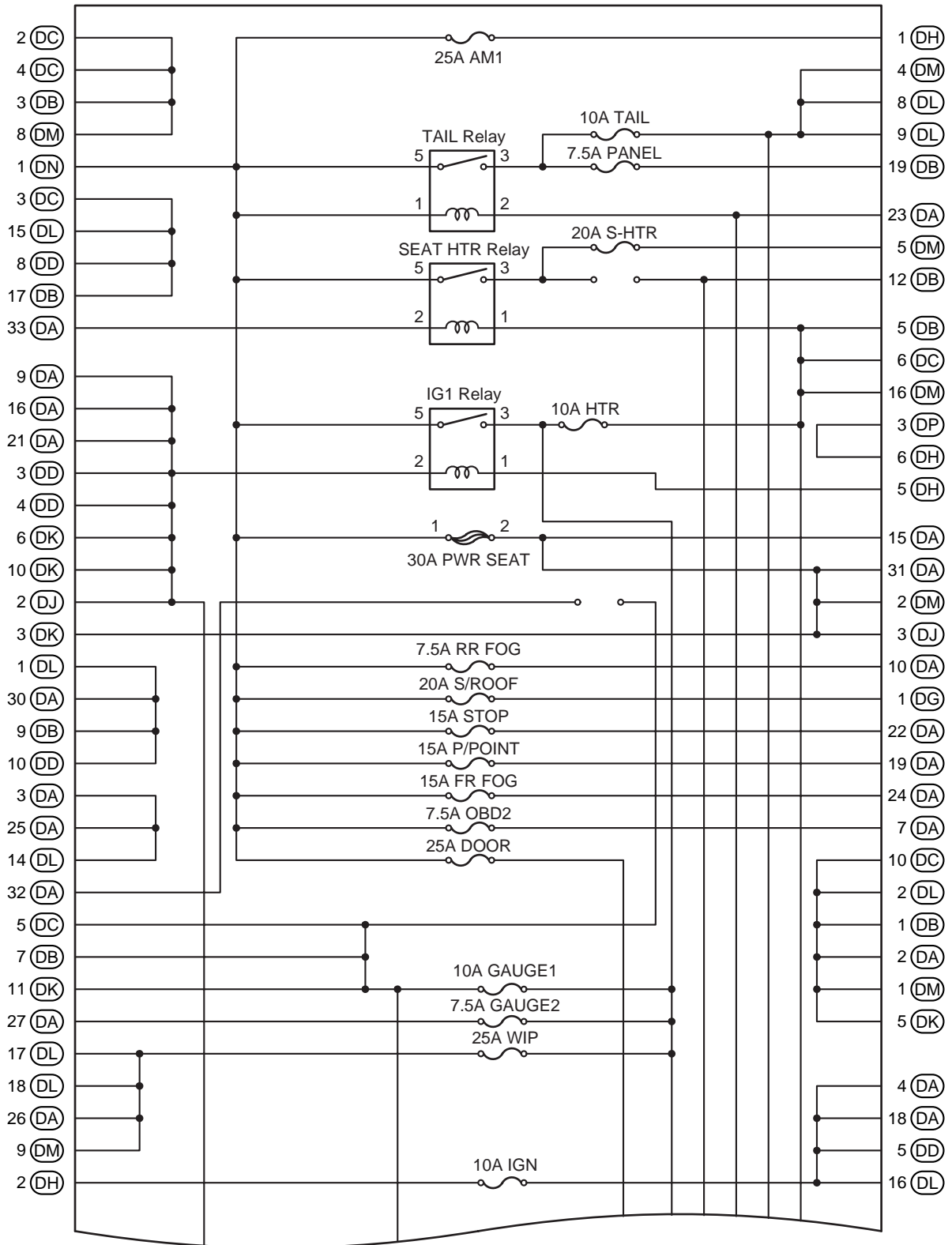
○ : Driver Side J/B Left Side of the Instrument Panel (See Page 9)





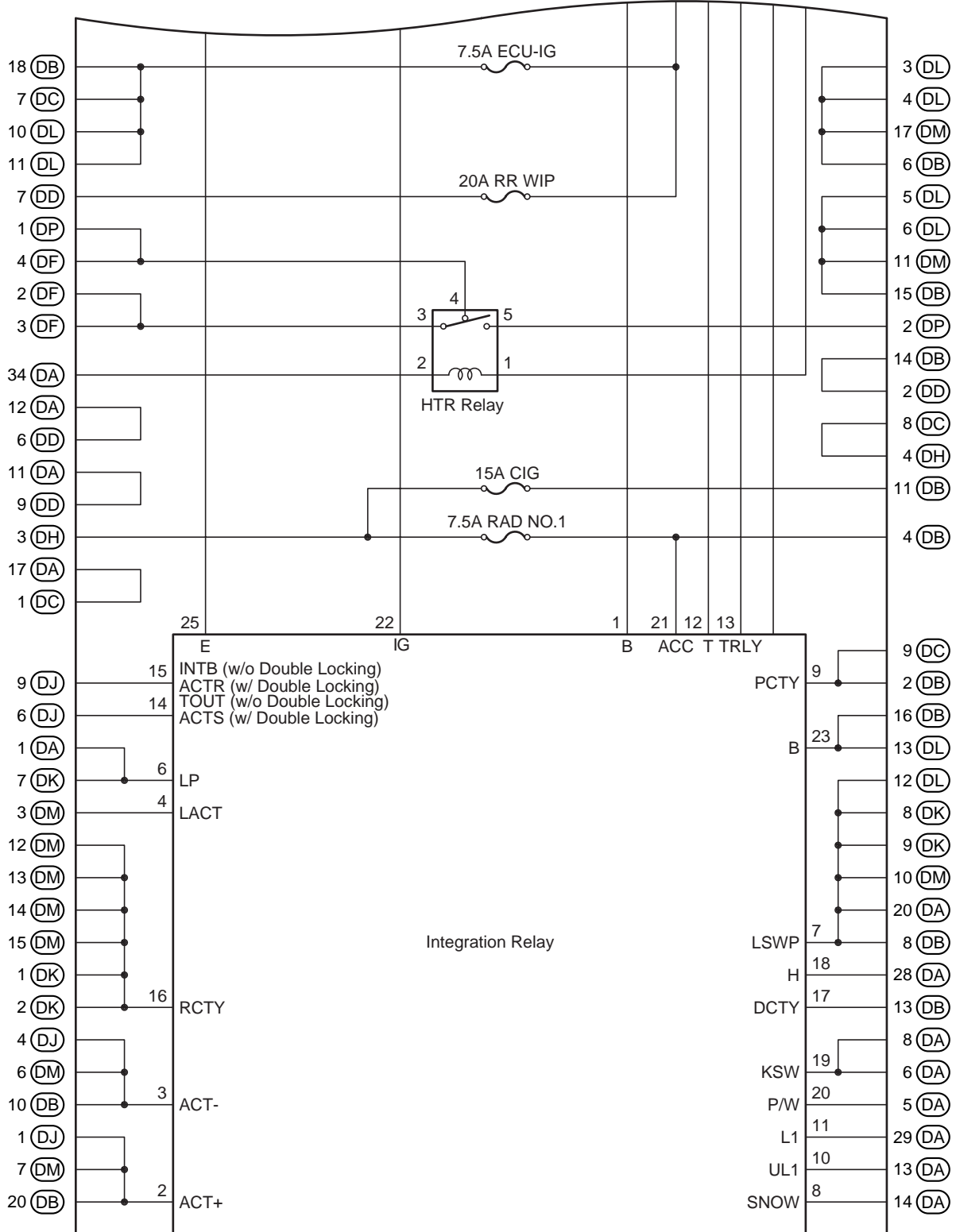
D RELAY LOCATIONS

[Driver Side J/B Inner Circuit]



(Cont. Next Page)

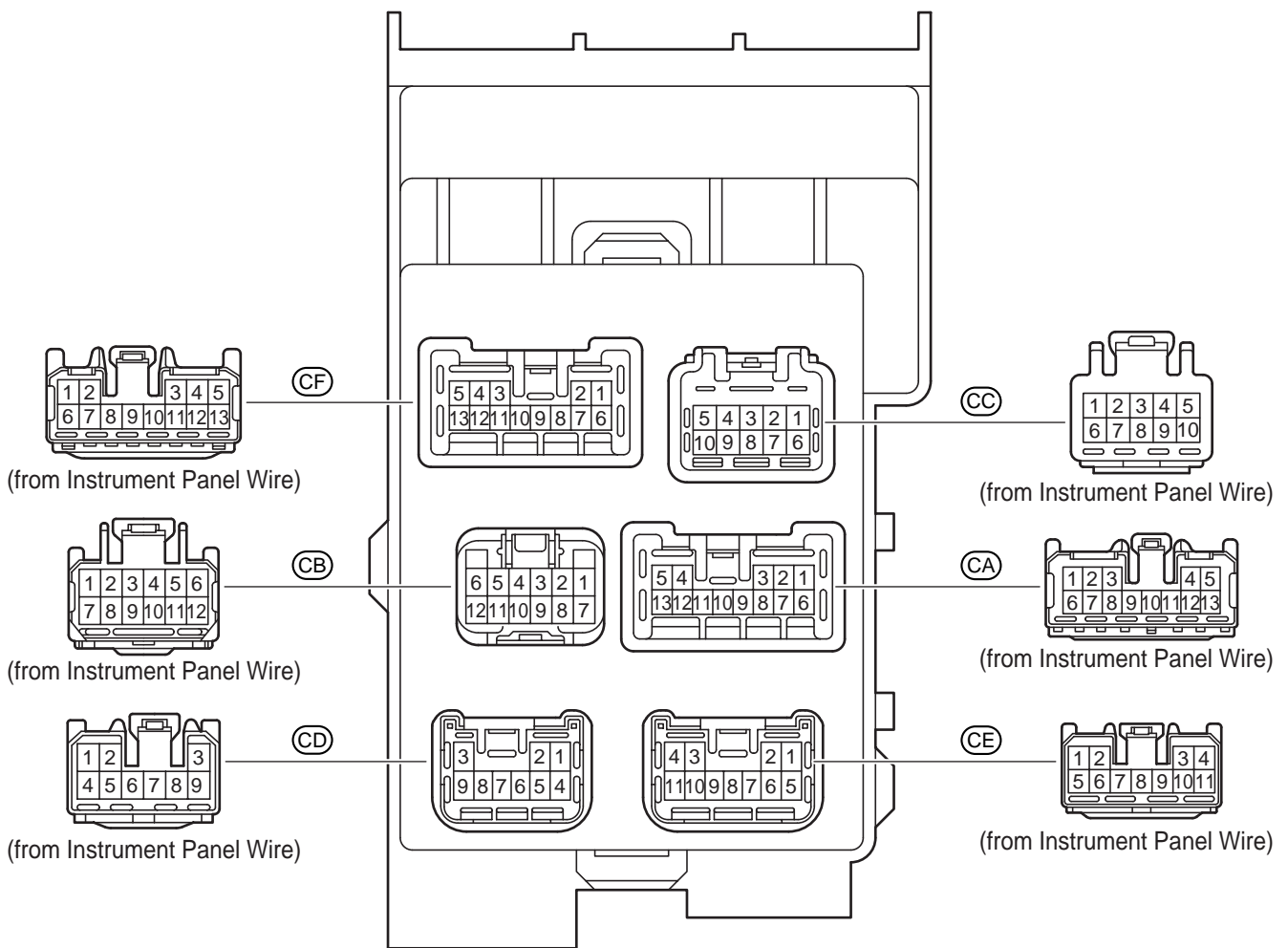
(Cont'd)

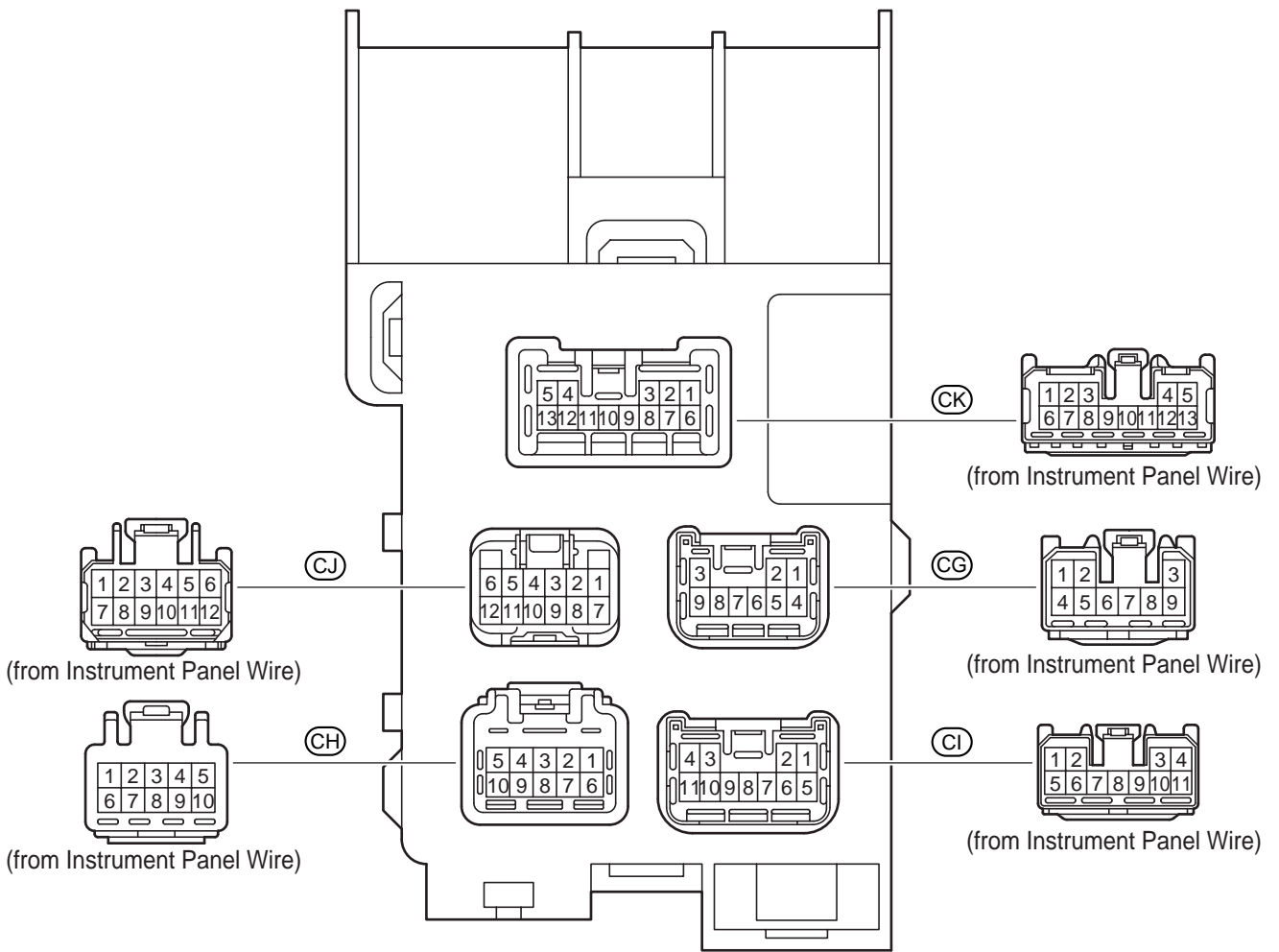


D RELAY LOCATIONS

○ : Center J/B

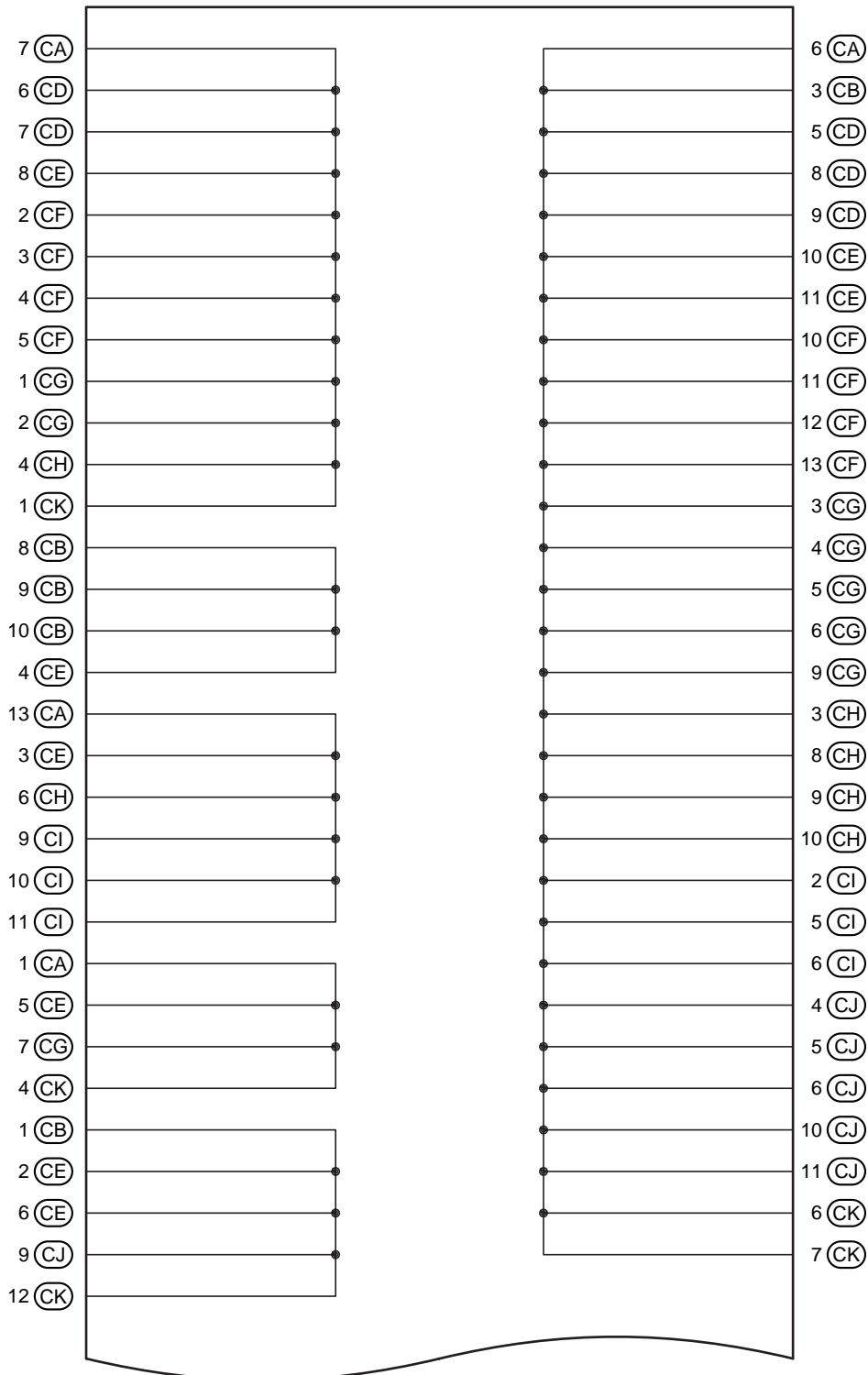
Instrument Panel Reinforcement RH (See Page 9)





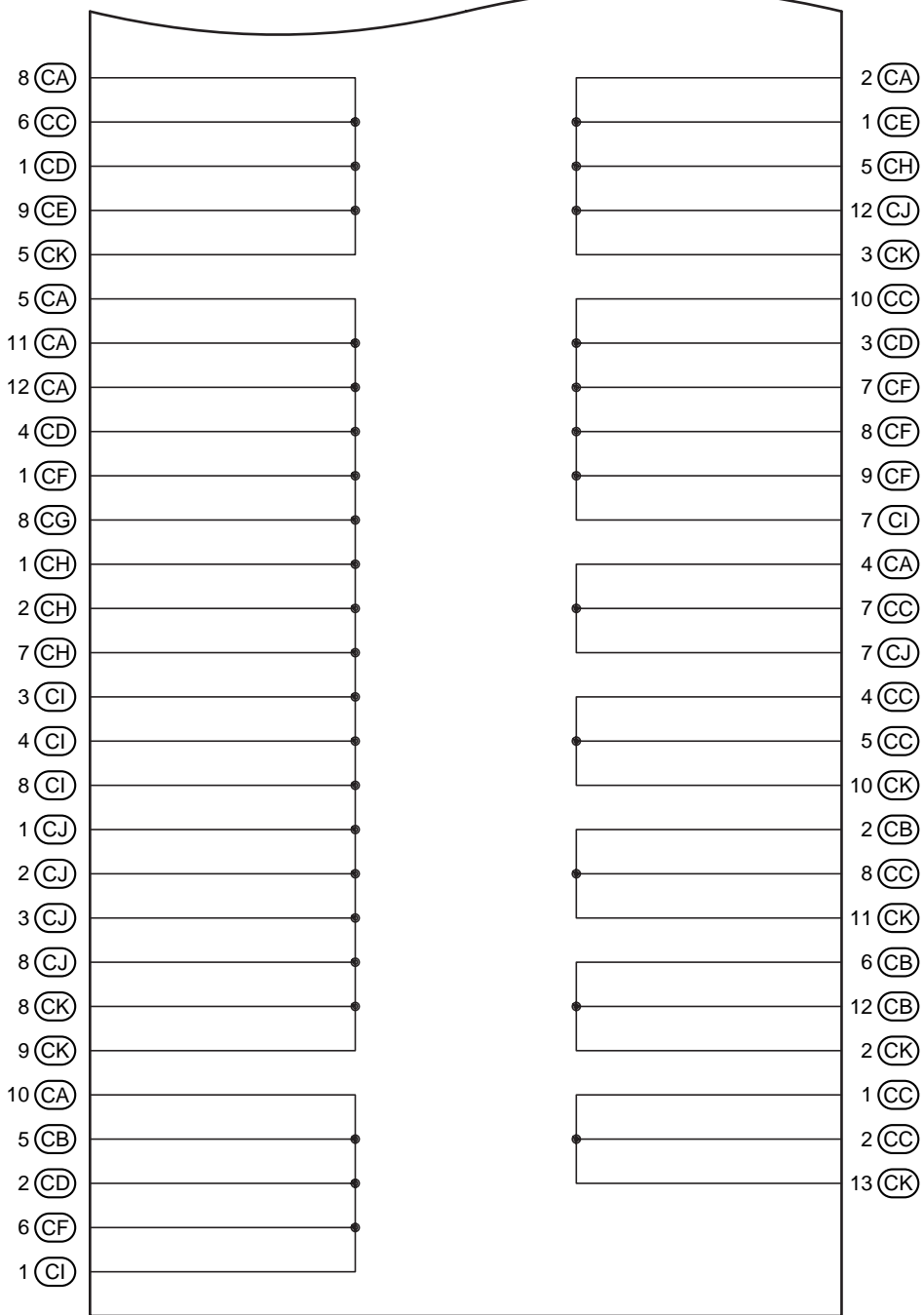
D RELAY LOCATIONS

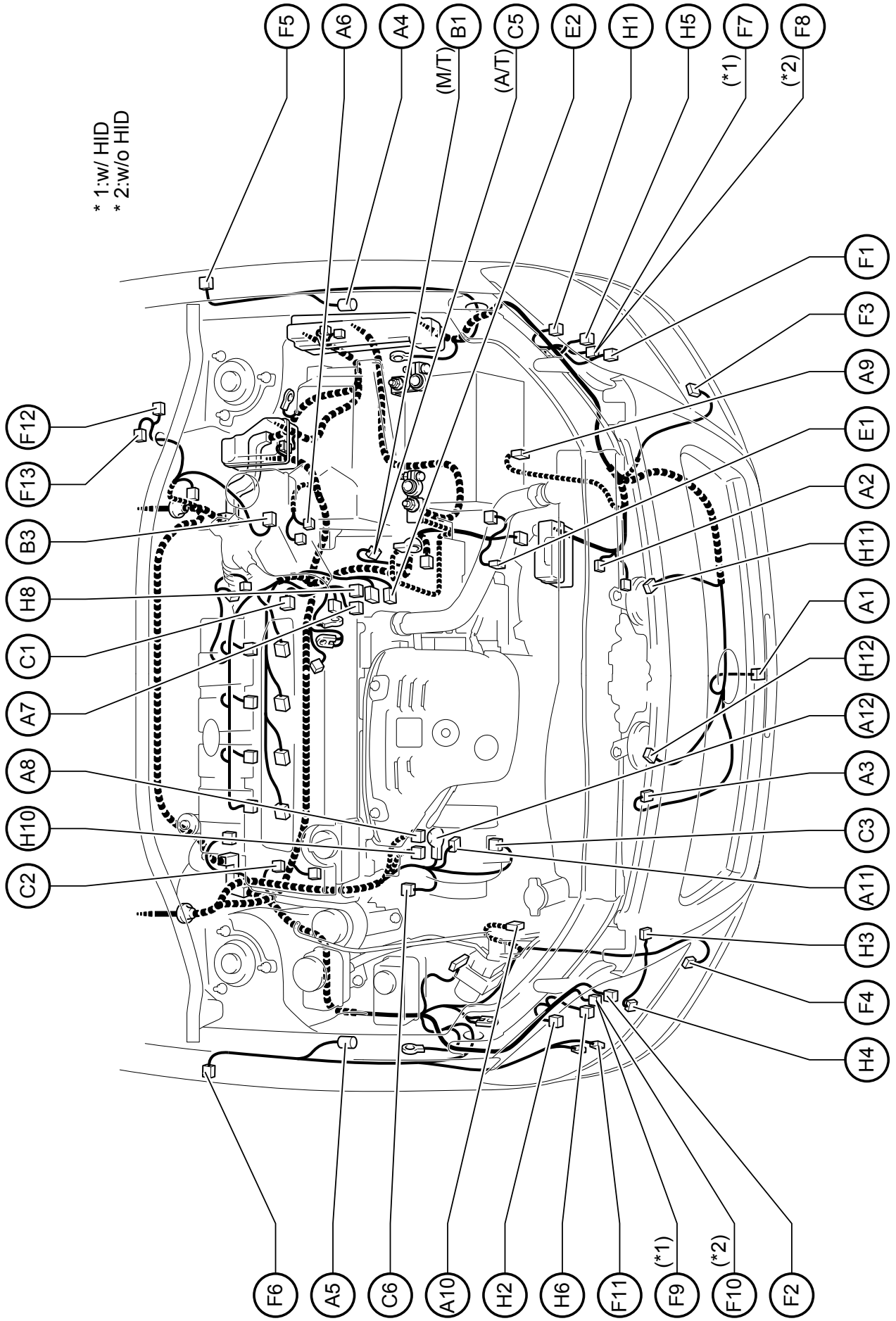
[Center J/B Inner Circuit]



(Cont. Next Page)

(Cont'd)





- A 1 A/C Ambient Temp. Sensor
- A 2 A/C Condenser Fan Motor
- A 3 A/C Pressure Sensor
- A 4 ABS Speed Sensor Front LH
- A 5 ABS Speed Sensor Front RH
- A 6 Air Flow Meter
- A 7 Air Fuel Ratio Sensor (Bank 1 Sensor 1)
- A 8 Air Fuel Ratio Sensor (Bank 2 Sensor 1)
- A 9 Airbag Sensor Front LH
- A 10 Airbag Sensor Front RH
- A 11 Alternator
- A 12 Alternator (1CD-FTV)
- A 12 Alternator (Except 1CD-FTV)

- B 1 Back-Up Light SW
- B 3 Brake Fluid Level Warning SW

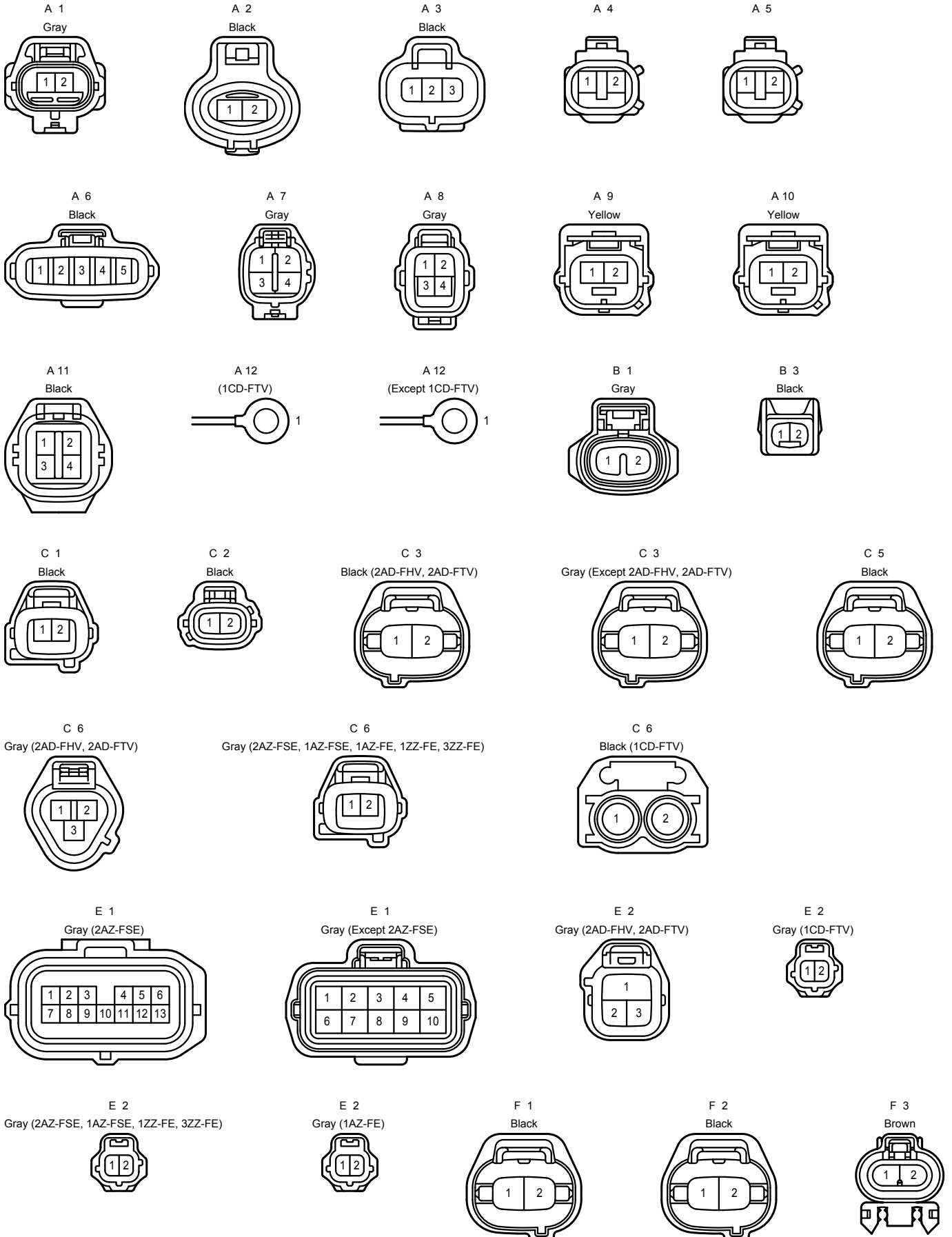
- C 1 Camshaft Position Sensor
- C 2 Camshaft Timing Oil Control Valve
- C 3 Compressor Assembly (2AD-FHV, 2AD-FTV)
- C 3 Compressor Assembly (Except 2AD-FHV, 2AD-FTV)
- C 5 Counter Gear Speed Sensor
- C 6 Crankshaft Position Sensor (2AD-FHV, 2AD-FTV)
- C 6 Crankshaft Position Sensor (2AZ-FSE, 1AZ-FSE, 1AZ-FE, 1ZZ-FE, 3ZZ-FE)
- C 6 Crankshaft Position Sensor (1CD-FTV)

- E 1 ECT Solenoid (2AZ-FSE)
- E 1 ECT Solenoid (Except 2AZ-FSE)
- E 2 EFI Water Temp. Sensor (2AD-FHV, 2AD-FTV)
- E 2 EFI Water Temp. Sensor (1CD-FTV)
- E 2 EFI Water Temp. Sensor (2AZ-FSE, 1AZ-FSE, 1ZZ-FE, 3ZZ-FE)
- E 2 EFI Water Temp. Sensor (1AZ-FE)

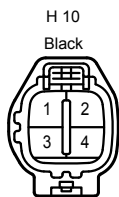
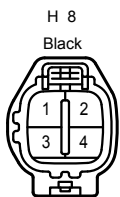
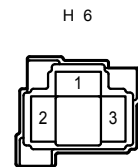
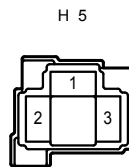
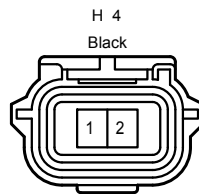
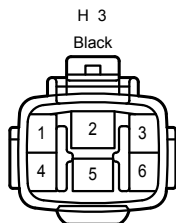
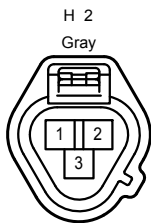
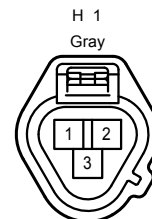
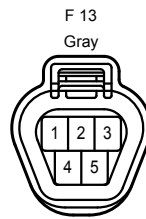
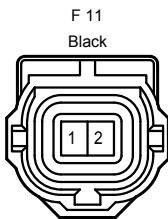
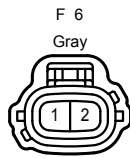
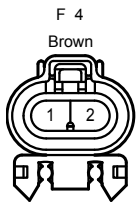
- F 1 Front Clearance Light LH
- F 2 Front Clearance Light RH
- F 3 Front Fog Light LH
- F 4 Front Fog Light RH
- F 5 Front Side Turn Signal Light LH
- F 6 Front Side Turn Signal Light RH
- F 7 Front Turn Signal Light LH , Headlight Control ECU LH
- F 8 Front Turn Signal Light LH , Headlight LH (Low)
- F 9 Front Turn Signal Light RH , Headlight Control ECU RH
- F 10 Front Turn Signal Light RH , Headlight RH (Low)
- F 11 Front Washer Motor
- F 12 Front Window Deicer
- F 13 Front Wiper Motor

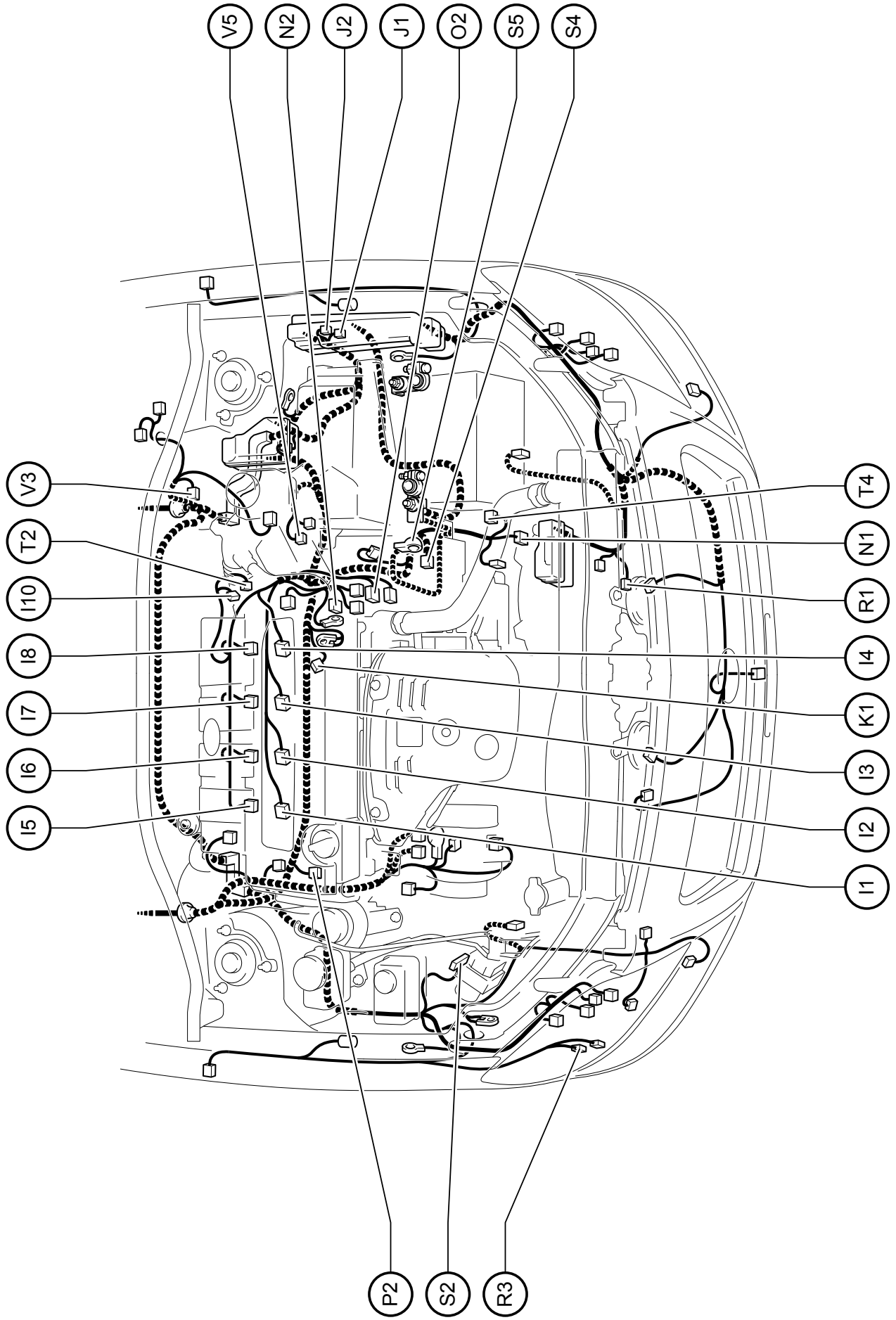
- H 1 Headlight Beam Level Control Actuator LH
- H 2 Headlight Beam Level Control Actuator RH
- H 3 Headlight Cleaner Control Relay
- H 4 Headlight Cleaner Motor
- H 5 Headlight LH (High)
- H 6 Headlight RH (High)
- H 8 Heated Oxygen Sensor (Bank 1 Sensor 2)
- H 10 Heated Oxygen Sensor (Bank 2 Sensor 2)
- H 11 Horn LH
- H 12 Horn RH

Position of Parts in Engine Compartment <LHD 1AZ-FE>



Position of Parts in Engine Compartment <LHD 1AZ-FE>





- I 1 Ignition Coil and Igniter No.1
- I 2 Ignition Coil and Igniter No.2
- I 3 Ignition Coil and Igniter No.3
- I 4 Ignition Coil and Igniter No.4
- I 5 Injector No.1 (2AD-FTV)
- I 5 Injector No.1 (2AD-FHV)
- I 5 Injector No.1 (1AZ-FE, 1ZZ-FE, 3ZZ-FE, 1CD-FTV)
- I 5 Injector No.1 (2AZ-FSE, 1AZ-FSE)
- I 6 Injector No.2 (2AD-FTV)
- I 6 Injector No.2 (2AD-FHV)
- I 6 Injector No.2 (1AZ-FE, 1ZZ-FE, 3ZZ-FE, 1CD-FTV)
- I 6 Injector No.2 (2AZ-FSE, 1AZ-FSE)
- I 7 Injector No.3 (2AD-FTV)
- I 7 Injector No.3 (2AD-FHV)
- I 7 Injector No.3 (1AZ-FE, 1ZZ-FE, 3ZZ-FE, 1CD-FTV)
- I 7 Injector No.3 (2AZ-FSE, 1AZ-FSE)
- I 8 Injector No.4 (2AD-FTV)
- I 8 Injector No.4 (2AD-FHV)
- I 8 Injector No.4 (1AZ-FE, 1ZZ-FE, 3ZZ-FE, 1CD-FTV)
- I 8 Injector No.4 (2AZ-FSE, 1AZ-FSE)
- I 10 ISC Valve

- J 1 Junction Connector
- J 2 Junction Connector

- K 1 Knock Sensor (Bank 1)

- N 1 Neutral Start SW
- N 2 Noise Filter (Ignition)

- O 2 Oil Pressure SW

- P 2 Power Steering Oil Pressure SW

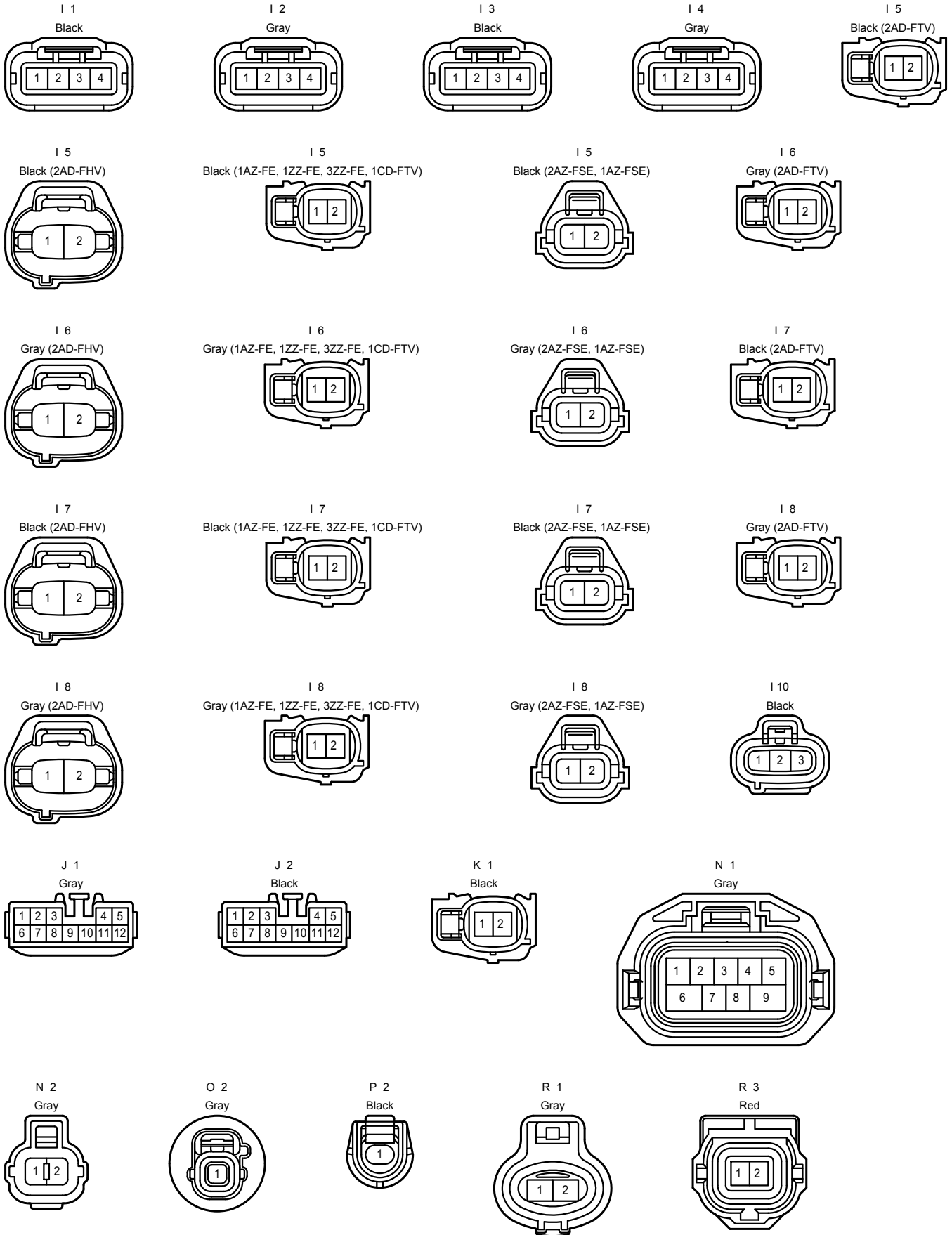
- R 1 Radiator Fan Motor
- R 3 Rear Washer Motor

- S 2 Skid Control ECU with Actuator
- S 4 Starter
- S 5 Starter (2AD-FHV, 2AD-FTV)
- S 5 Starter (2AZ-FSE, 1AZ-FSE, 1AZ-FE)
- S 5 Starter (1ZZ-FE, 3ZZ-FE)
- S 5 Starter (1CD-FTV)

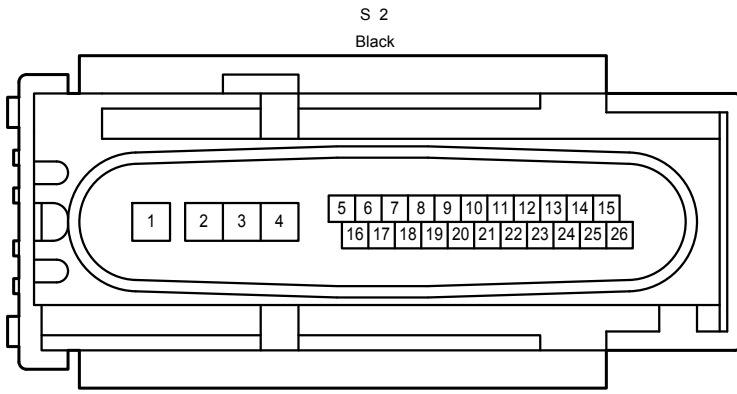
- T 2 Throttle Position Sensor
- T 4 Turbine Speed Sensor

- V 3 Variable Resistor
- V 5 VSV (EVAP)

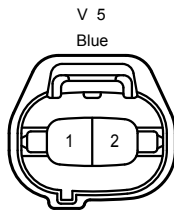
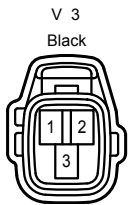
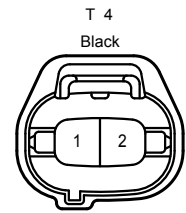
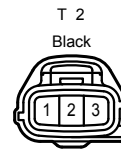
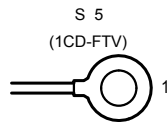
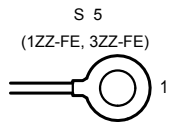
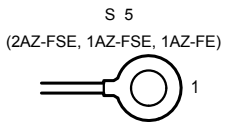
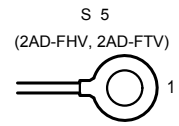
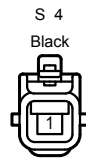
Position of Parts in Engine Compartment <LHD 1AZ-FE>

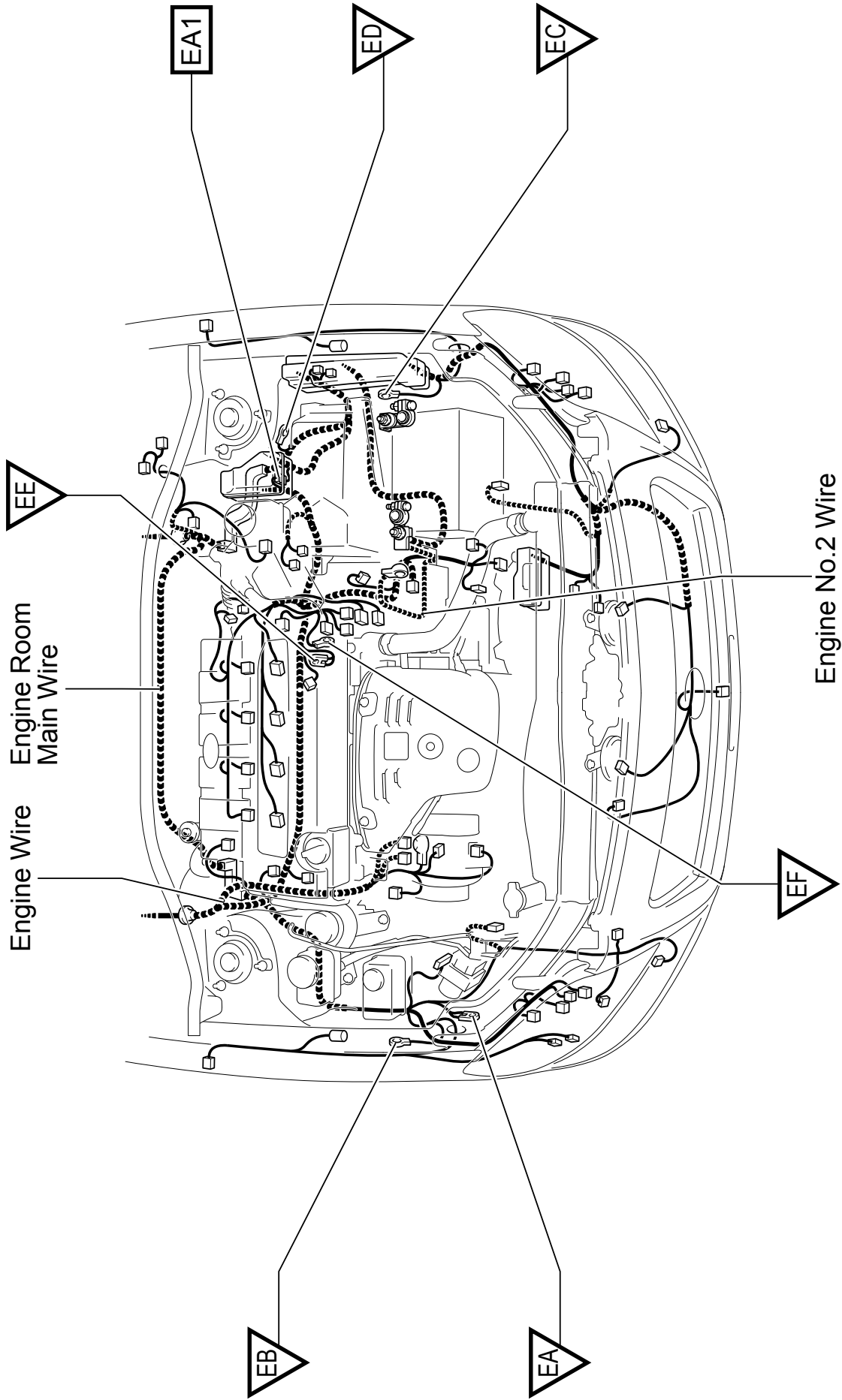


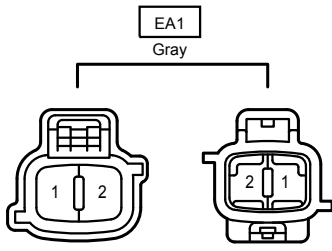
Position of Parts in Engine Compartment <LHD 1AZ-FE>

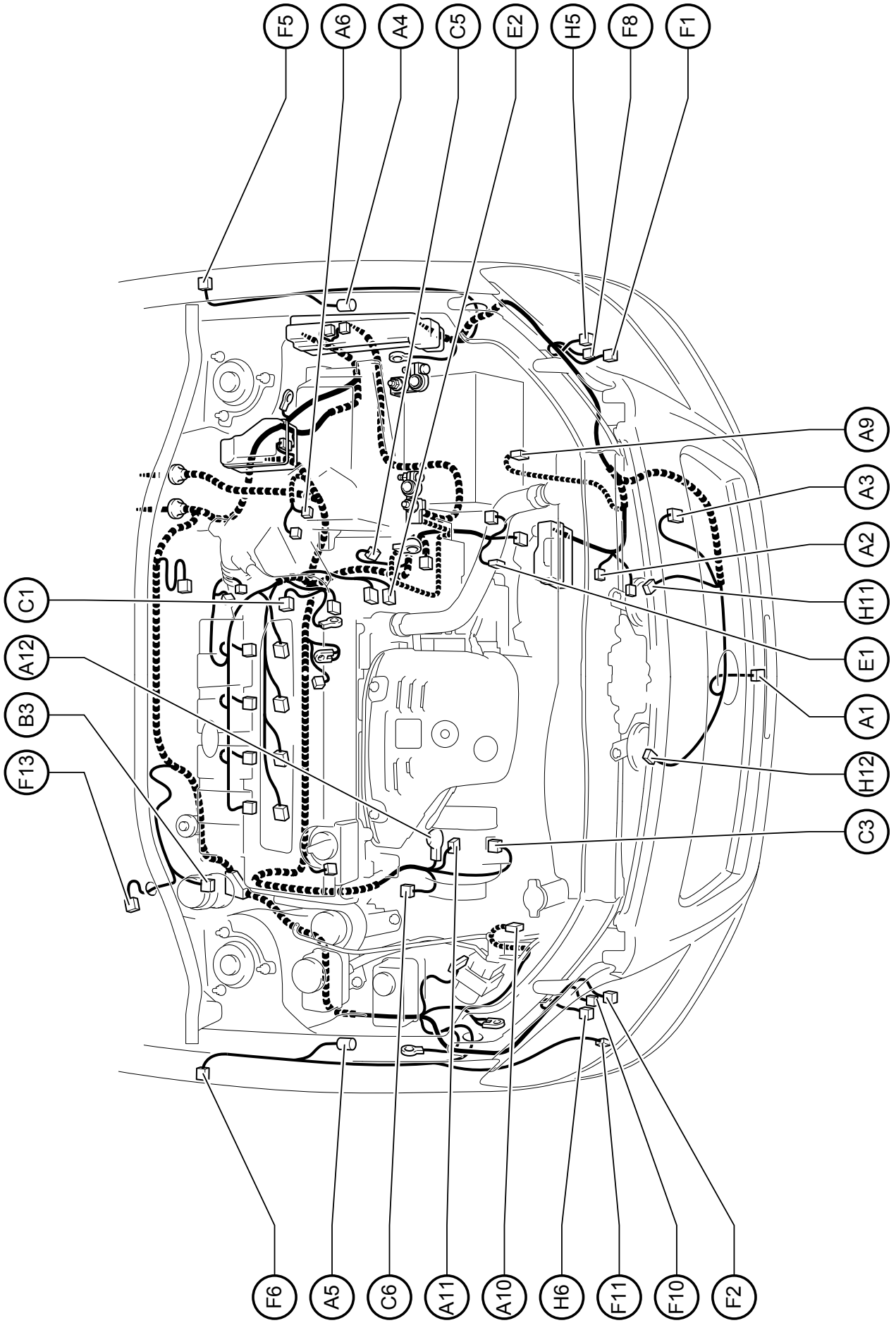


S 2
Black









- A 1 A/C Ambient Temp. Sensor
- A 2 A/C Condenser Fan Motor
- A 3 A/C Pressure Sensor
- A 4 ABS Speed Sensor Front LH
- A 5 ABS Speed Sensor Front RH
- A 6 Air Flow Meter
- A 9 Airbag Sensor Front LH
- A 10 Airbag Sensor Front RH
- A 11 Alternator
- A 12 Alternator (1CD-FTV)
- A 12 Alternator (Except 1CD-FTV)

- B 3 Brake Fluid Level Warning SW

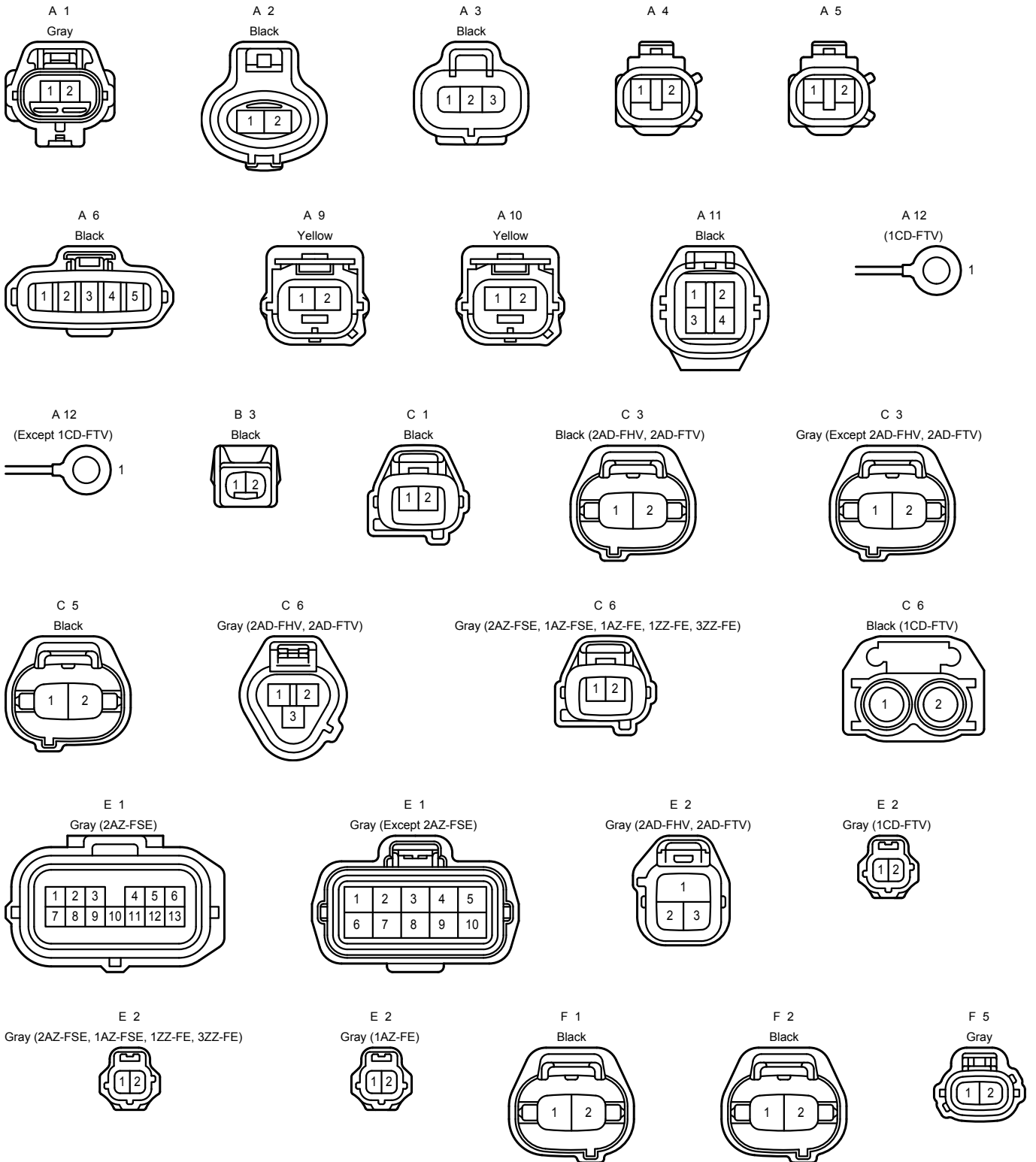
- C 1 Camshaft Position Sensor
- C 3 Compressor Assembly (2AD-FHV, 2AD-FTV)
- C 3 Compressor Assembly (Except 2AD-FHV, 2AD-FTV)
- C 5 Counter Gear Speed Sensor
- C 6 Crankshaft Position Sensor (2AD-FHV, 2AD-FTV)
- C 6 Crankshaft Position Sensor (2AZ-FSE, 1AZ-FSE, 1AZ-FE, 1ZZ-FE, 3ZZ-FE)
- C 6 Crankshaft Position Sensor (1CD-FTV)

- E 1 ECT Solenoid (2AZ-FSE)
- E 1 ECT Solenoid (Except 2AZ-FSE)
- E 2 EFI Water Temp. Sensor (2AD-FHV, 2AD-FTV)
- E 2 EFI Water Temp. Sensor (1CD-FTV)
- E 2 EFI Water Temp. Sensor (2AZ-FSE, 1AZ-FSE, 1ZZ-FE, 3ZZ-FE)
- E 2 EFI Water Temp. Sensor (1AZ-FE)

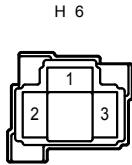
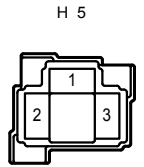
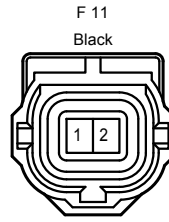
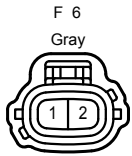
- F 1 Front Clearance Light LH
- F 2 Front Clearance Light RH
- F 5 Front Side Turn Signal Light LH
- F 6 Front Side Turn Signal Light RH
- F 8 Front Turn Signal Light LH , Headlight LH (Low)
- F 10 Front Turn Signal Light RH , Headlight RH (Low)
- F 11 Front Washer Motor
- F 13 Front Wiper Motor

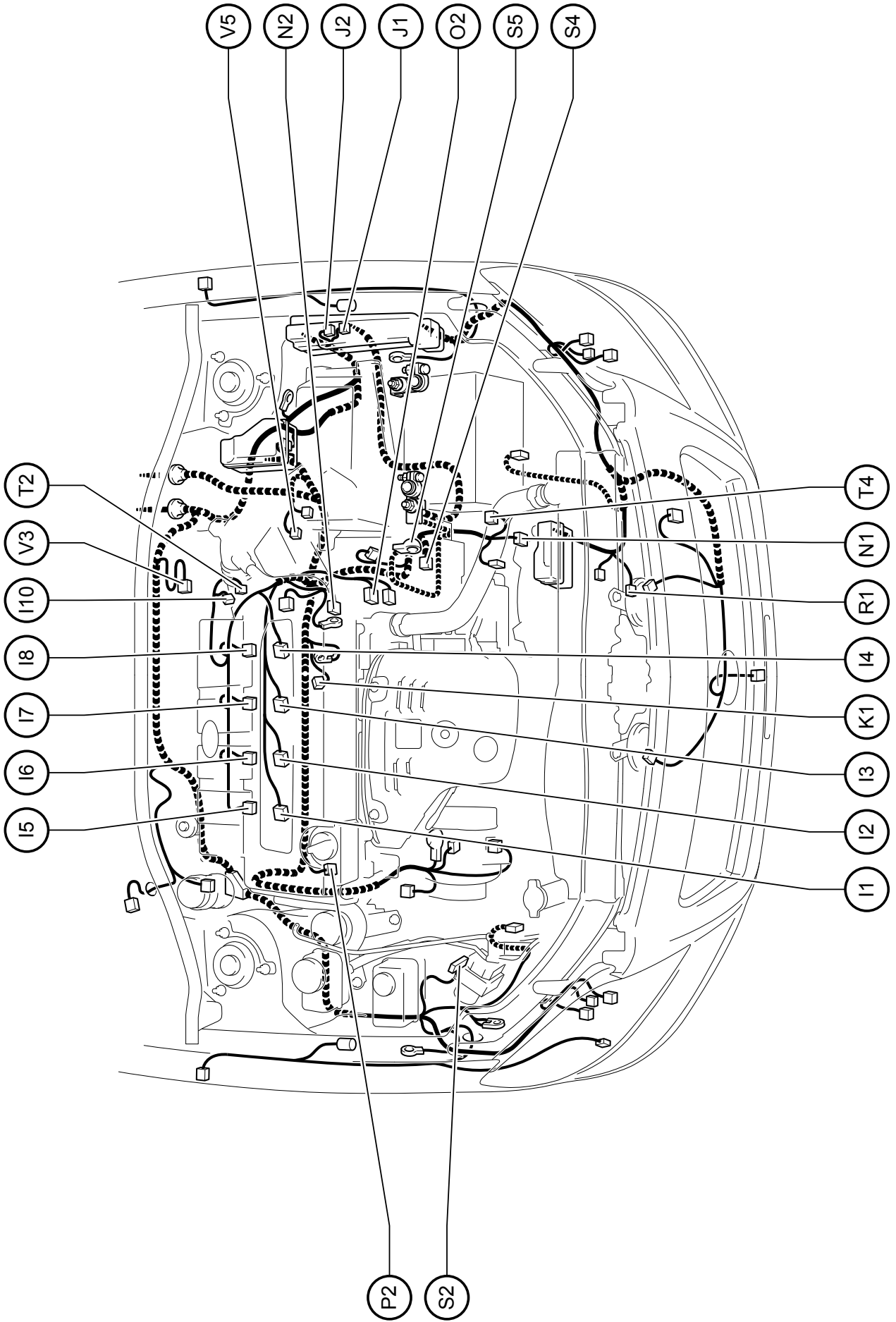
- H 5 Headlight LH (High)
- H 6 Headlight RH (High)
- H 11 Horn LH
- H 12 Horn RH

Position of Parts in Engine Compartment <RHD 1AZ-FE>



Position of Parts in Engine Compartment <RHD 1AZ-FE>





- I 1 Ignition Coil and Igniter No.1
- I 2 Ignition Coil and Igniter No.2
- I 3 Ignition Coil and Igniter No.3
- I 4 Ignition Coil and Igniter No.4
- I 5 Injector No.1 (2AD-FTV)
- I 5 Injector No.1 (2AD-FHV)
- I 5 Injector No.1 (1AZ-FE, 1ZZ-FE, 3ZZ-FE, 1CD-FTV)
- I 5 Injector No.1 (2AZ-FSE, 1AZ-FSE)
- I 6 Injector No.2 (2AD-FTV)
- I 6 Injector No.2 (2AD-FHV)
- I 6 Injector No.2 (1AZ-FE, 1ZZ-FE, 3ZZ-FE, 1CD-FTV)
- I 6 Injector No.2 (2AZ-FSE, 1AZ-FSE)
- I 7 Injector No.3 (2AD-FTV)
- I 7 Injector No.3 (2AD-FHV)
- I 7 Injector No.3 (1AZ-FE, 1ZZ-FE, 3ZZ-FE, 1CD-FTV)
- I 7 Injector No.3 (2AZ-FSE, 1AZ-FSE)
- I 8 Injector No.4 (2AD-FTV)
- I 8 Injector No.4 (2AD-FHV)
- I 8 Injector No.4 (1AZ-FE, 1ZZ-FE, 3ZZ-FE, 1CD-FTV)
- I 8 Injector No.4 (2AZ-FSE, 1AZ-FSE)
- I 10 ISC Valve

- J 1 Junction Connector
- J 2 Junction Connector

- K 1 Knock Sensor (Bank 1)

- N 1 Neutral Start SW
- N 2 Noise Filter (Ignition)

- O 2 Oil Pressure SW

- P 2 Power Steering Oil Pressure SW

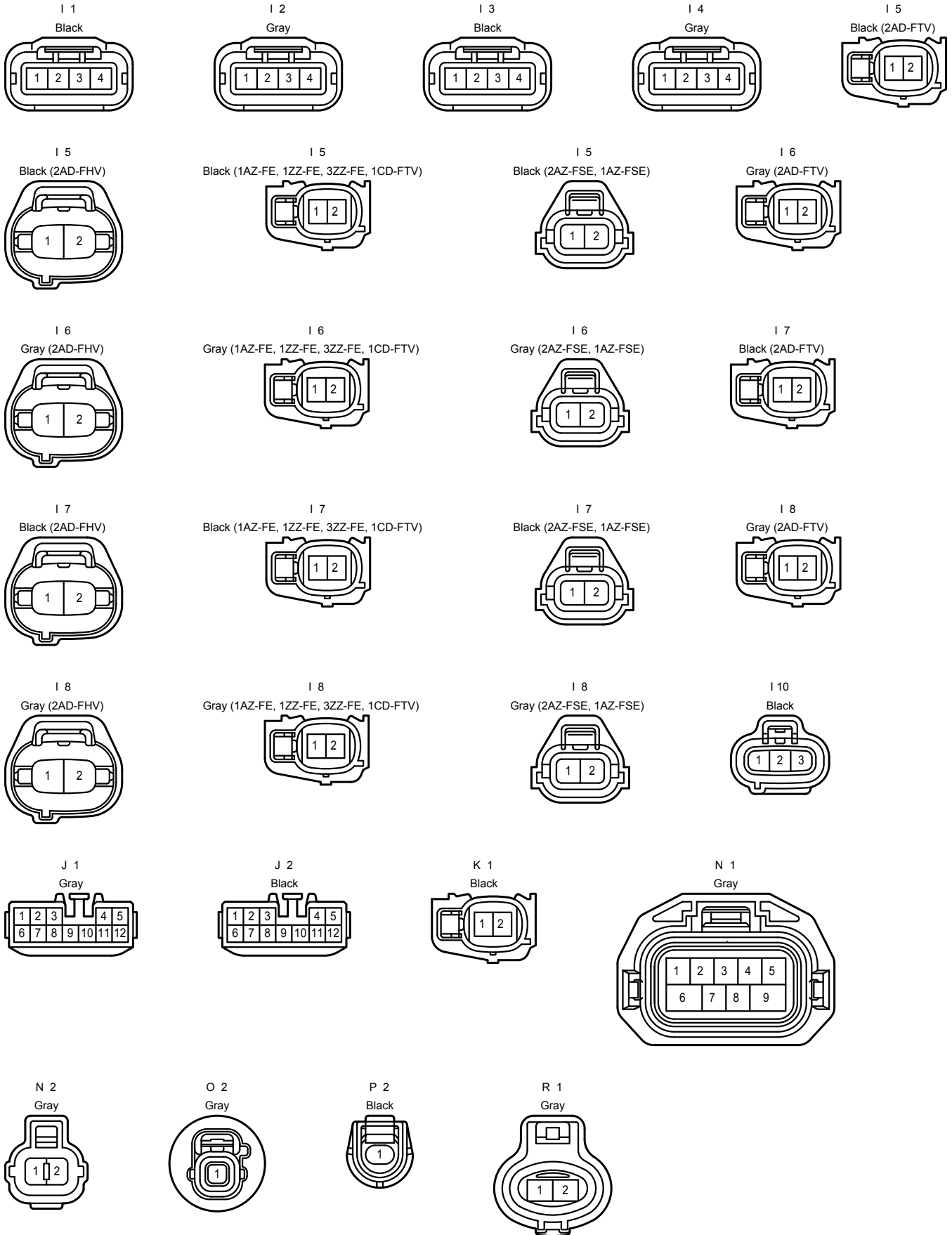
- R 1 Radiator Fan Motor

- S 2 Skid Control ECU with Actuator
- S 4 Starter
- S 5 Starter (2AD-FHV, 2AD-FTV)
- S 5 Starter (2AZ-FSE, 1AZ-FSE, 1AZ-FE)
- S 5 Starter (1ZZ-FE, 3ZZ-FE)
- S 5 Starter (1CD-FTV)

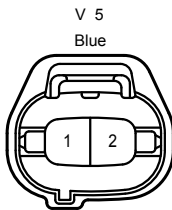
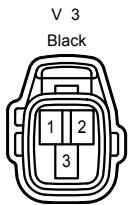
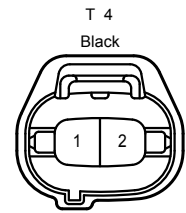
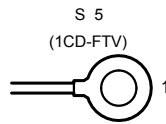
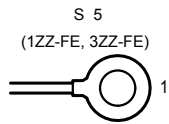
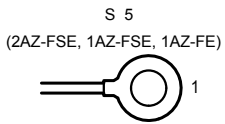
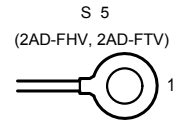
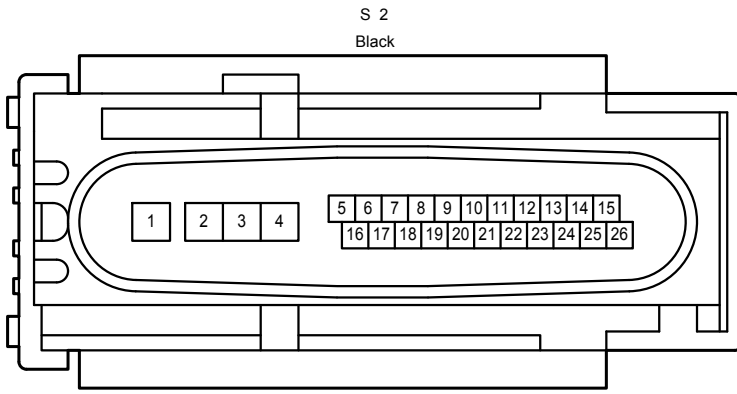
- T 2 Throttle Position Sensor
- T 4 Turbine Speed Sensor

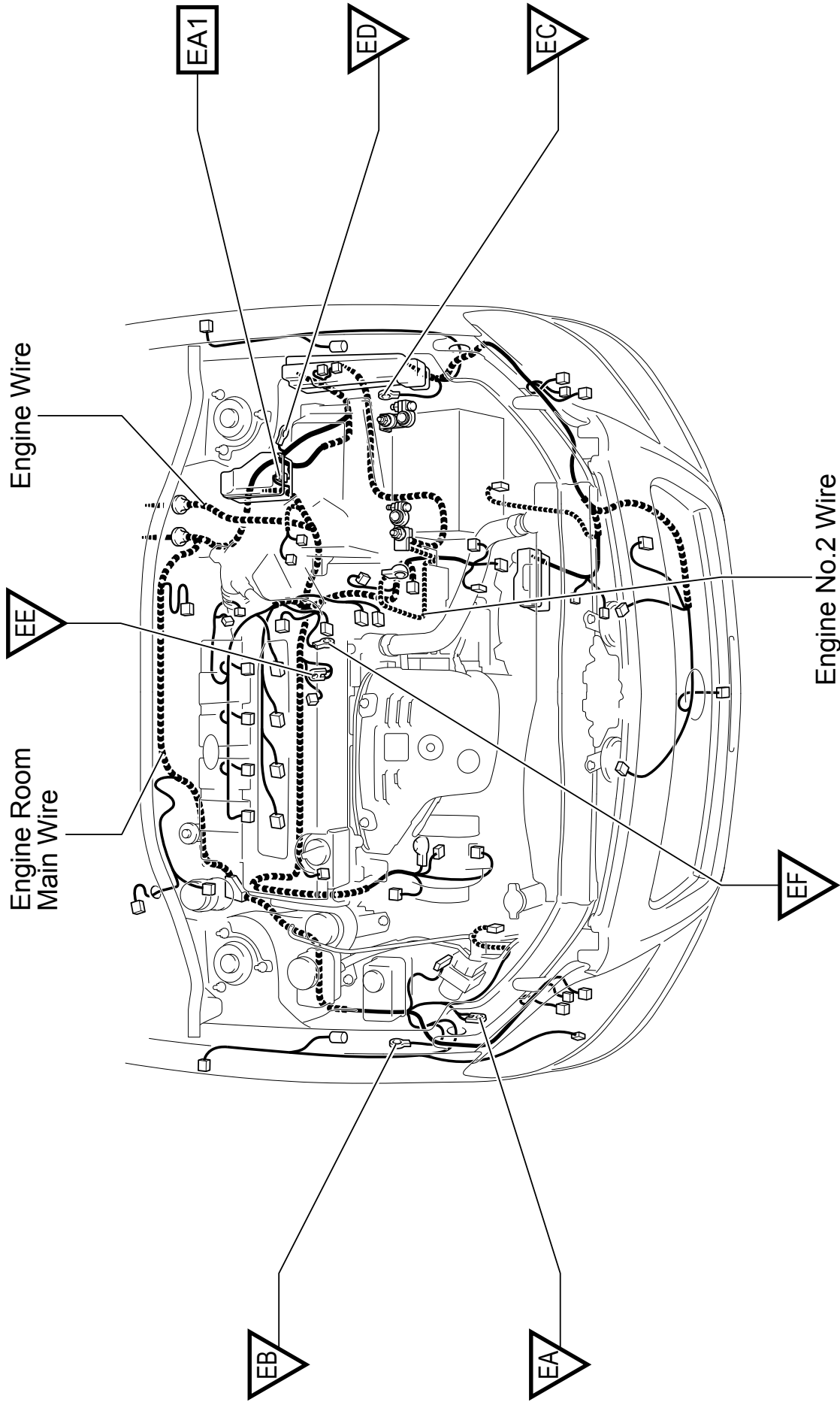
- V 3 Variable Resistor
- V 5 VSV (EVAP)

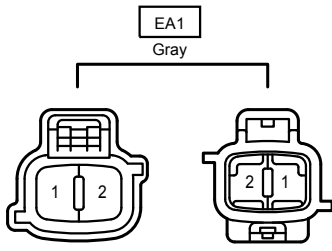
Position of Parts in Engine Compartment <RHD 1AZ-FE>

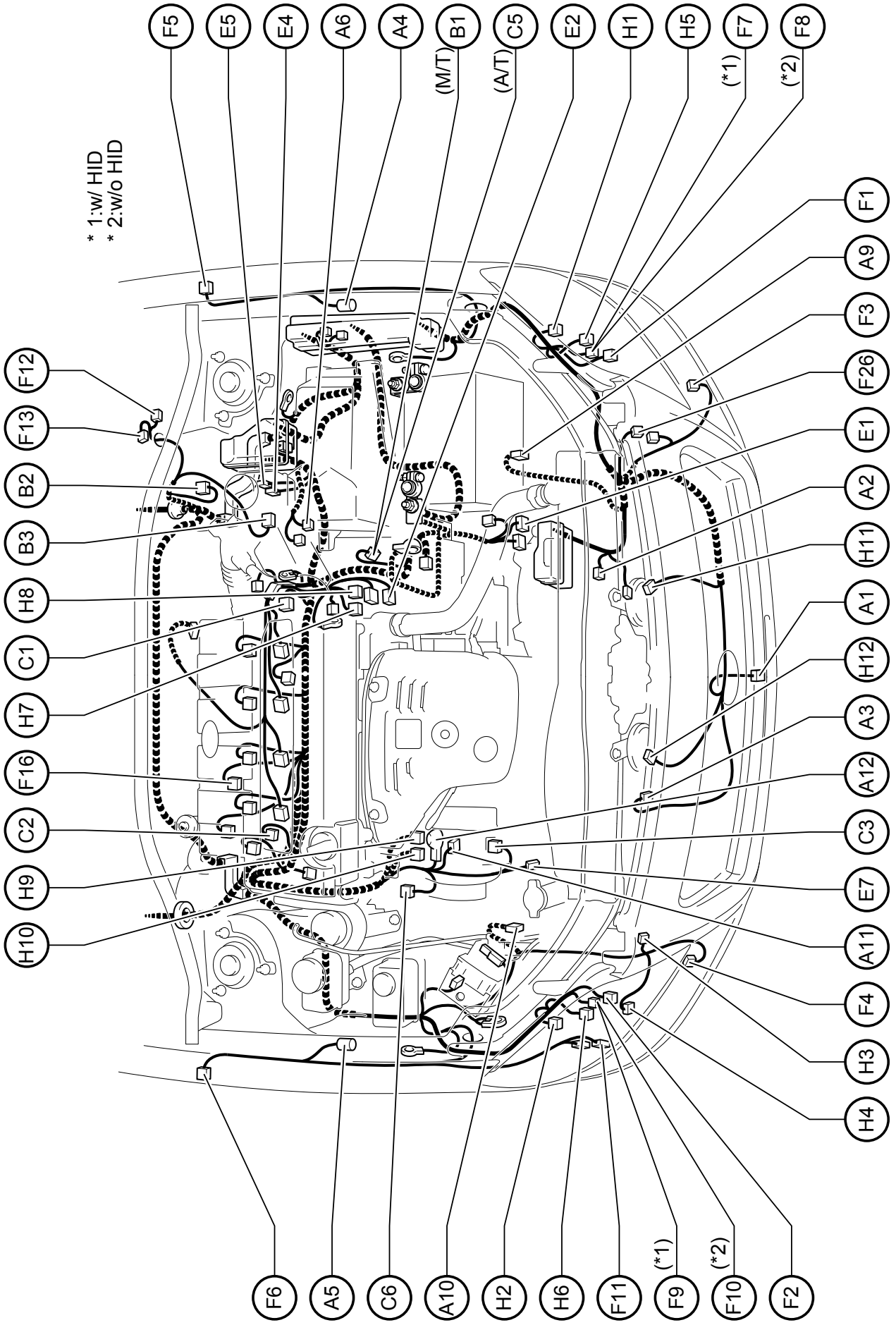


Position of Parts in Engine Compartment <RHD 1AZ-FE>









- A 1 A/C Ambient Temp. Sensor
- A 2 A/C Condenser Fan Motor
- A 3 A/C Pressure Sensor
- A 4 ABS Speed Sensor Front LH
- A 5 ABS Speed Sensor Front RH
- A 6 Air Flow Meter
- A 9 Airbag Sensor Front LH
- A 10 Airbag Sensor Front RH
- A 11 Alternator
- A 12 Alternator (1CD-FTV)
- A 12 Alternator (Except 1CD-FTV)

- B 1 Back-Up Light SW
- B 2 Brake Booster Pressure Sensor
- B 3 Brake Fluid Level Warning SW

- C 1 Camshaft Position Sensor
- C 2 Camshaft Timing Oil Control Valve
- C 3 Compressor Assembly (2AD-FHV, 2AD-FTV)
- C 3 Compressor Assembly (Except 2AD-FHV, 2AD-FTV)
- C 5 Counter Gear Speed Sensor
- C 6 Crankshaft Position Sensor (2AD-FHV, 2AD-FTV)
- C 6 Crankshaft Position Sensor (2AZ-FSE, 1AZ-FSE, 1AZ-FE, 1ZZ-FE, 3ZZ-FE)
- C 6 Crankshaft Position Sensor (1CD-FTV)

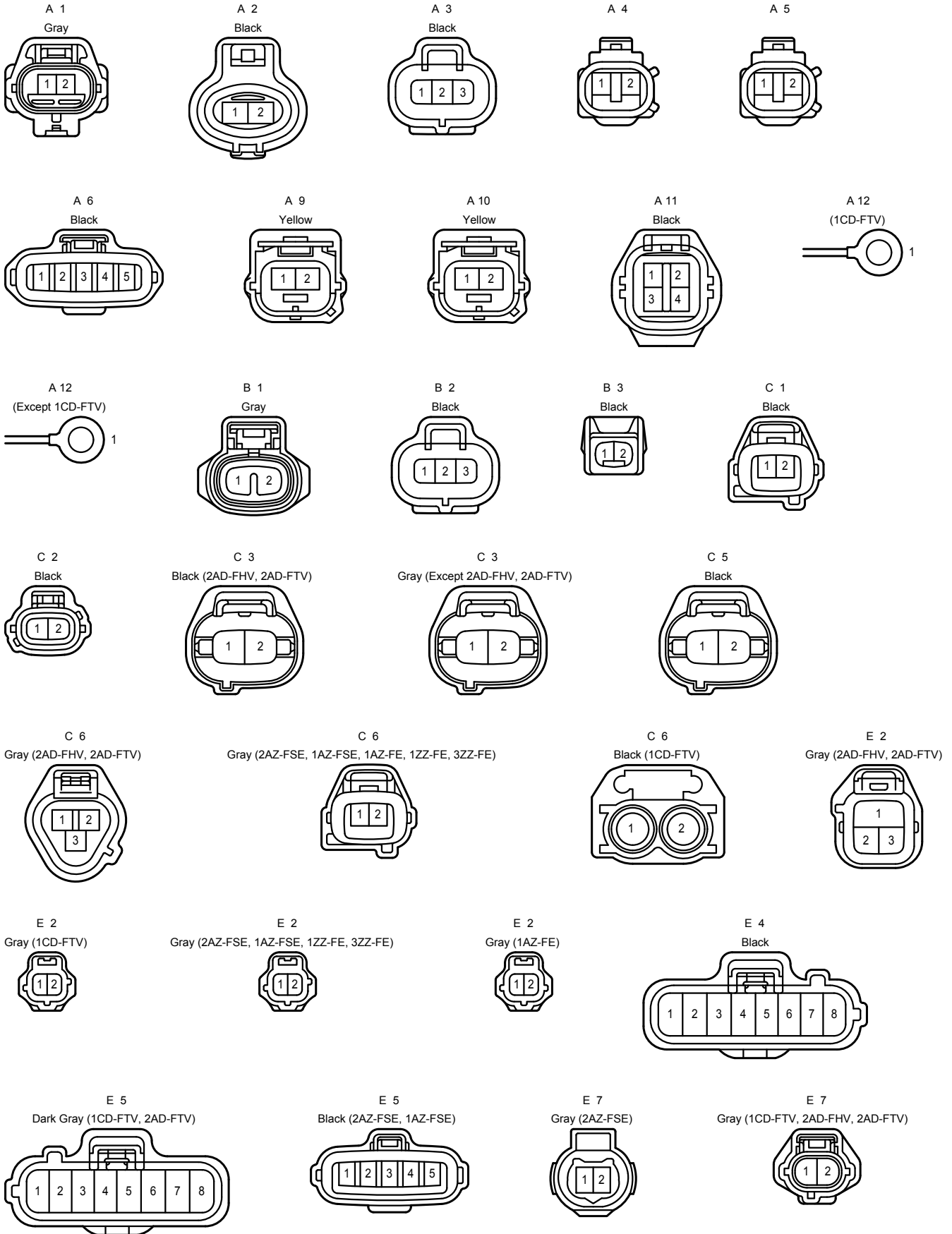
- E 2 EFI Water Temp. Sensor (2AD-FHV, 2AD-FTV)
- E 2 EFI Water Temp. Sensor (1CD-FTV)
- E 2 EFI Water Temp. Sensor (2AZ-FSE, 1AZ-FSE, 1ZZ-FE, 3ZZ-FE)
- E 2 EFI Water Temp. Sensor (1AZ-FE)
- E 4 Electronic Driver Unit
- E 5 Electronic Driver Unit (1CD-FTV, 2AD-FTV)
- E 5 Electronic Driver Unit (2AZ-FSE, 1AZ-FSE)
- E 7 Engine Oil Level Sensor (2AZ-FSE)
- E 7 Engine Oil Level Sensor (1CD-FTV, 2AD-FHV, 2AD-FTV)

- F 1 Front Clearance Light LH
- F 2 Front Clearance Light RH
- F 3 Front Fog Light LH
- F 4 Front Fog Light RH
- F 5 Front Side Turn Signal Light LH
- F 6 Front Side Turn Signal Light RH
- F 7 Front Turn Signal Light LH , Headlight Control ECU LH
- F 8 Front Turn Signal Light LH , Headlight LH (Low)
- F 9 Front Turn Signal Light RH , Headlight Control ECU RH
- F 10 Front Turn Signal Light RH , Headlight RH (Low)
- F 11 Front Washer Motor
- F 12 Front Window Deicer
- F 13 Front Wiper Motor
- F 16 Fuel Pressure Sensor (1CD-FTV, 2AD-FHV)
- F 16 Fuel Pressure Sensor (2AZ-FSE, 1AZ-FSE)
- F 26 Fuel Pump Resistor

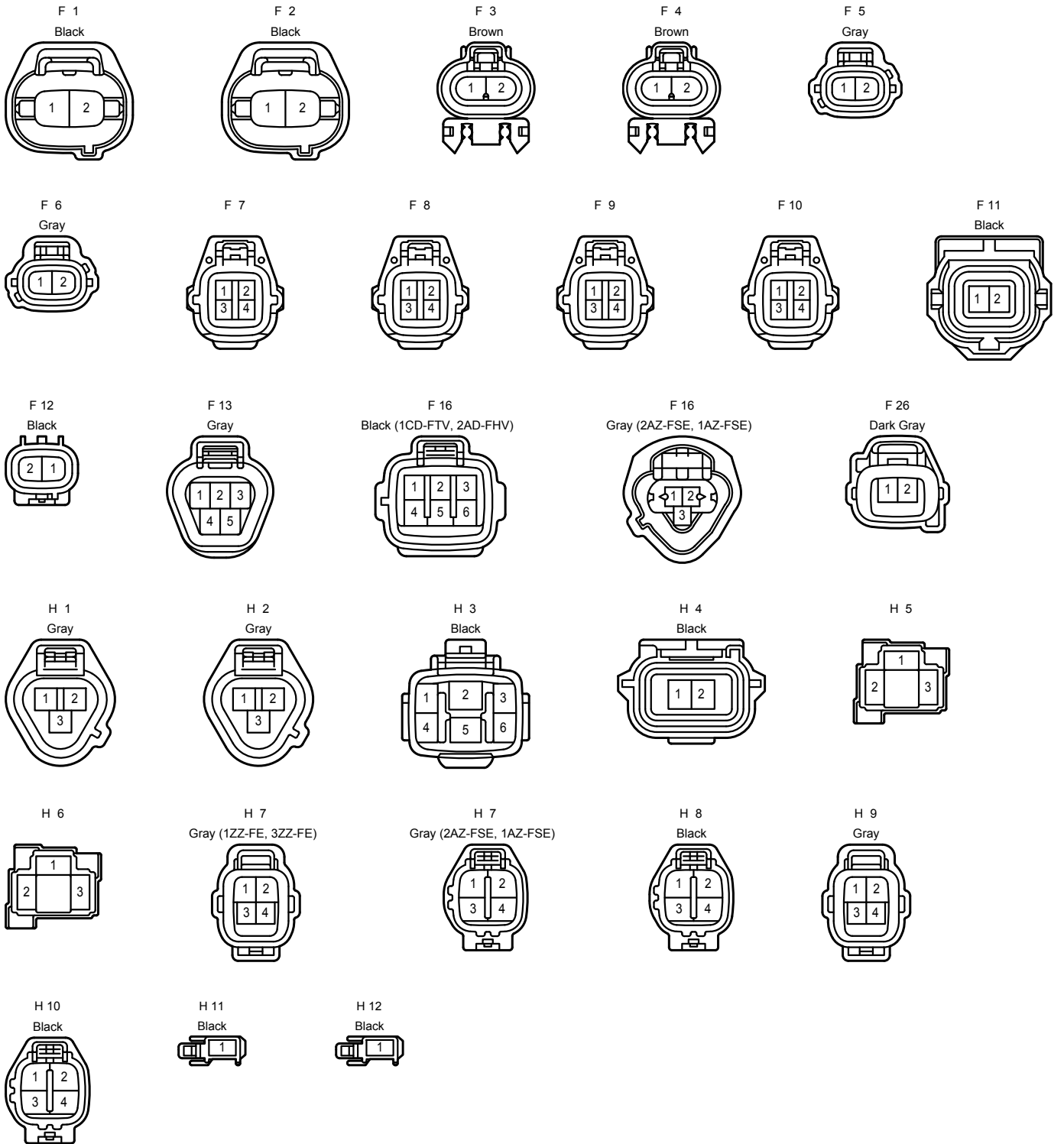
- H 1 Headlight Beam Level Control Actuator LH
- H 2 Headlight Beam Level Control Actuator RH
- H 3 Headlight Cleaner Control Relay
- H 4 Headlight Cleaner Motor
- H 5 Headlight LH (High)
- H 6 Headlight RH (High)
- H 7 Heated Oxygen Sensor (Bank 1 Sensor 1) (1ZZ-FE, 3ZZ-FE)

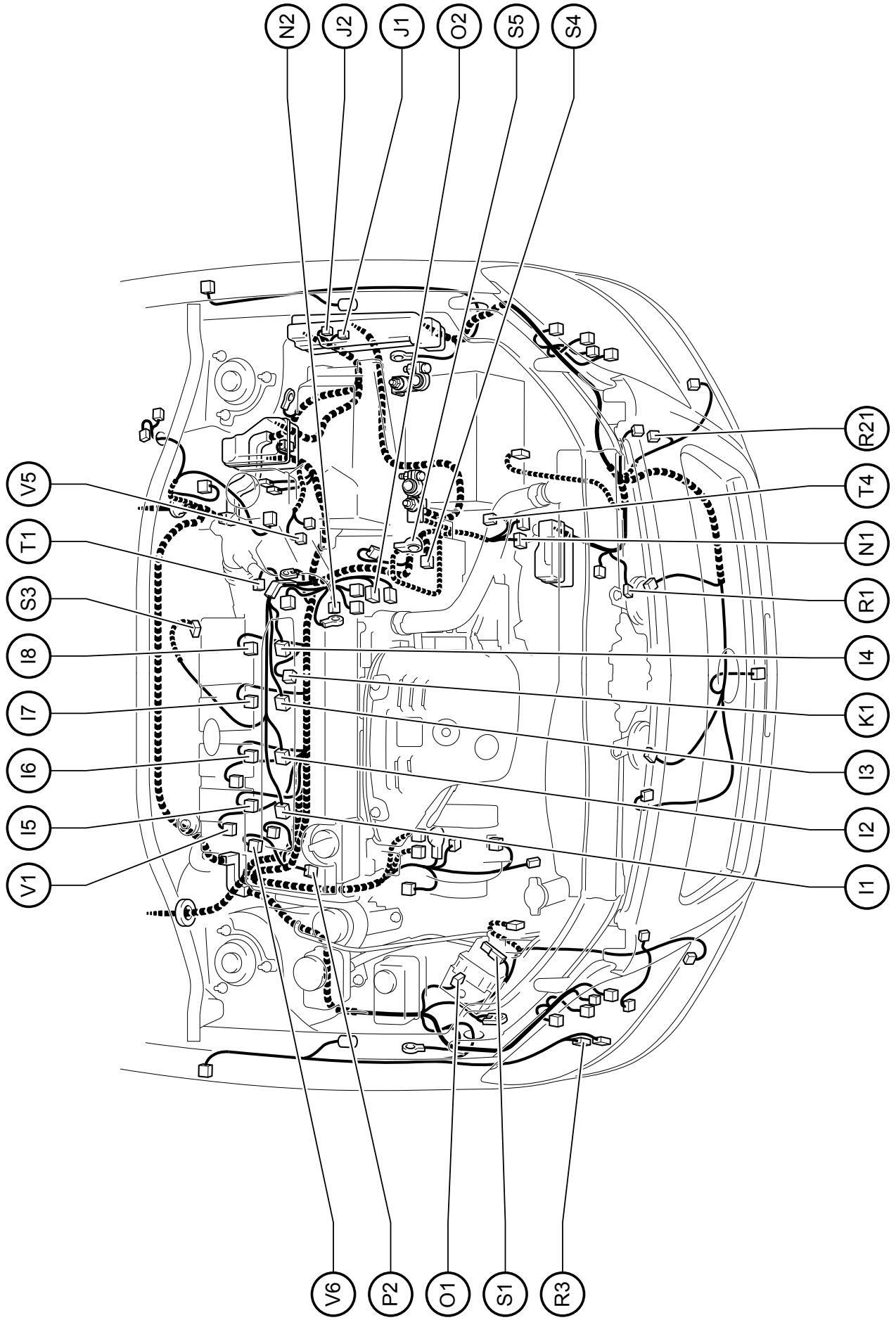
- H 7 Heated Oxygen Sensor (Bank 1 Sensor 1) (2AZ-FSE, 1AZ-FSE)
- H 8 Heated Oxygen Sensor (Bank 1 Sensor 2)
- H 9 Heated Oxygen Sensor (Bank 2 Sensor 1)
- H 10 Heated Oxygen Sensor (Bank 2 Sensor 2)
- H 11 Horn LH
- H 12 Horn RH

Position of Parts in Engine Compartment <LHD 2AZ-FSE, 1AZ-FSE>



Position of Parts in Engine Compartment <LHD 2AZ-FSE, 1AZ-FSE>





- I 1 Ignition Coil and Igniter No.1
- I 2 Ignition Coil and Igniter No.2
- I 3 Ignition Coil and Igniter No.3
- I 4 Ignition Coil and Igniter No.4
- I 5 Injector No.1 (2AD-FTV)
- I 5 Injector No.1 (2AD-FHV)
- I 5 Injector No.1 (1AZ-FE, 1ZZ-FE, 3ZZ-FE, 1CD-FTV)
- I 5 Injector No.1 (2AZ-FSE, 1AZ-FSE)
- I 6 Injector No.2 (2AD-FTV)
- I 6 Injector No.2 (2AD-FHV)
- I 6 Injector No.2 (1AZ-FE, 1ZZ-FE, 3ZZ-FE, 1CD-FTV)
- I 6 Injector No.2 (2AZ-FSE, 1AZ-FSE)
- I 7 Injector No.3 (2AD-FTV)
- I 7 Injector No.3 (2AD-FHV)
- I 7 Injector No.3 (1AZ-FE, 1ZZ-FE, 3ZZ-FE, 1CD-FTV)
- I 7 Injector No.3 (2AZ-FSE, 1AZ-FSE)
- I 8 Injector No.4 (2AD-FTV)
- I 8 Injector No.4 (2AD-FHV)
- I 8 Injector No.4 (1AZ-FE, 1ZZ-FE, 3ZZ-FE, 1CD-FTV)
- I 8 Injector No.4 (2AZ-FSE, 1AZ-FSE)

- J 1 Junction Connector
- J 2 Junction Connector

- K 1 Knock Sensor (Bank 1)

- N 1 Neutral Start SW
- N 2 Noise Filter (Ignition)

- O 1 Oil Pressure Sensor
- O 2 Oil Pressure SW

- P 2 Power Steering Oil Pressure SW

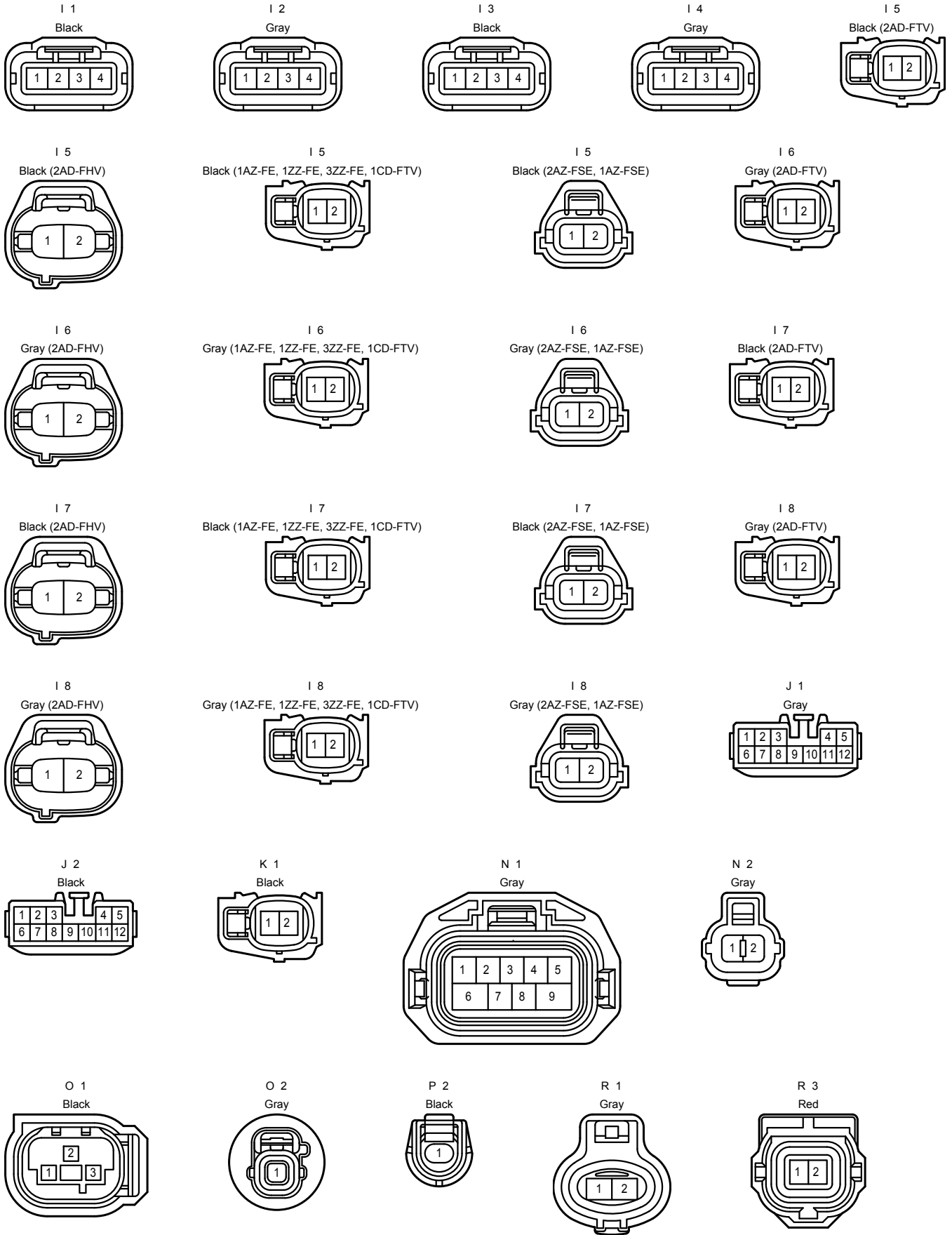
- R 1 Radiator Fan Motor
- R 3 Rear Washer Motor
- R 21 Radiator Fan Relay

- S 1 Skid Control ECU with Actuator
- S 3 Spill Valve
- S 4 Starter
- S 5 Starter (2AD-FHV, 2AD-FTV)
- S 5 Starter (2AZ-FSE, 1AZ-FSE, 1AZ-FE)
- S 5 Starter (1ZZ-FE, 3ZZ-FE)
- S 5 Starter (1CD-FTV)

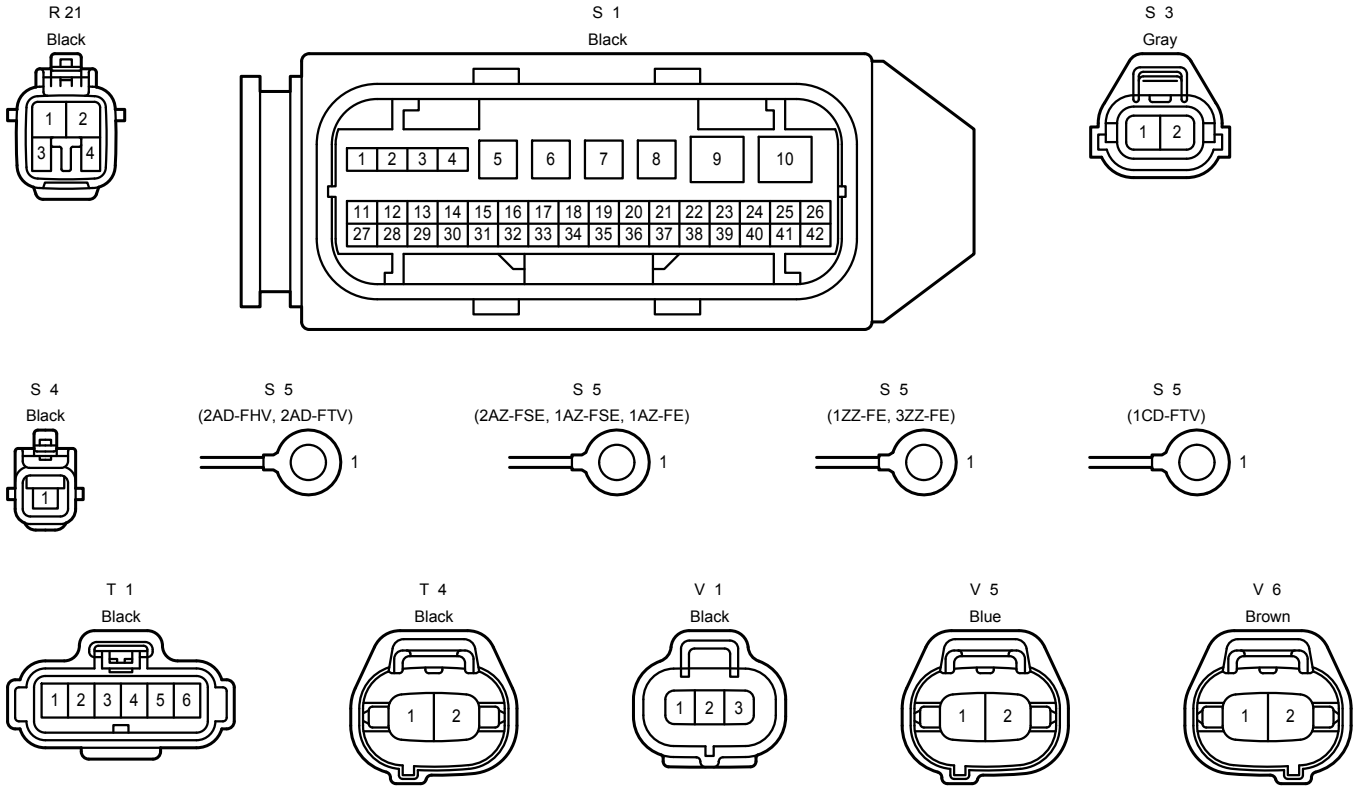
- T 1 Throttle Control Motor and Position Sensor
- T 4 Turbine Speed Sensor

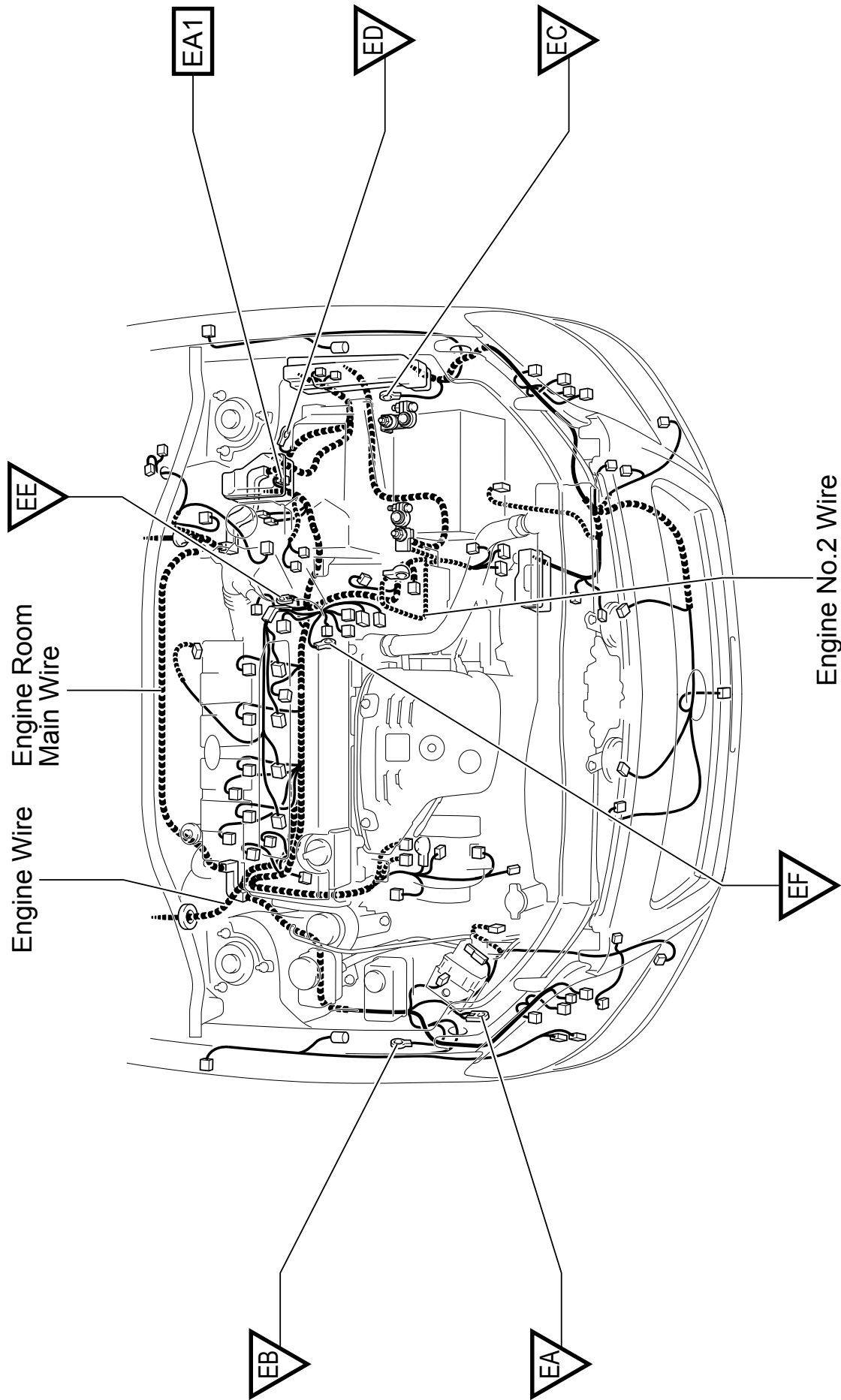
- V 1 Vacuum Sensor
- V 5 VSV (EVAP)
- V 6 VSV (Intake Air Control Valve)

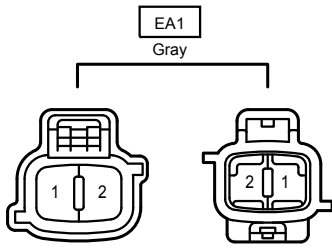
Position of Parts in Engine Compartment <LHD 2AZ-FSE, 1AZ-FSE>

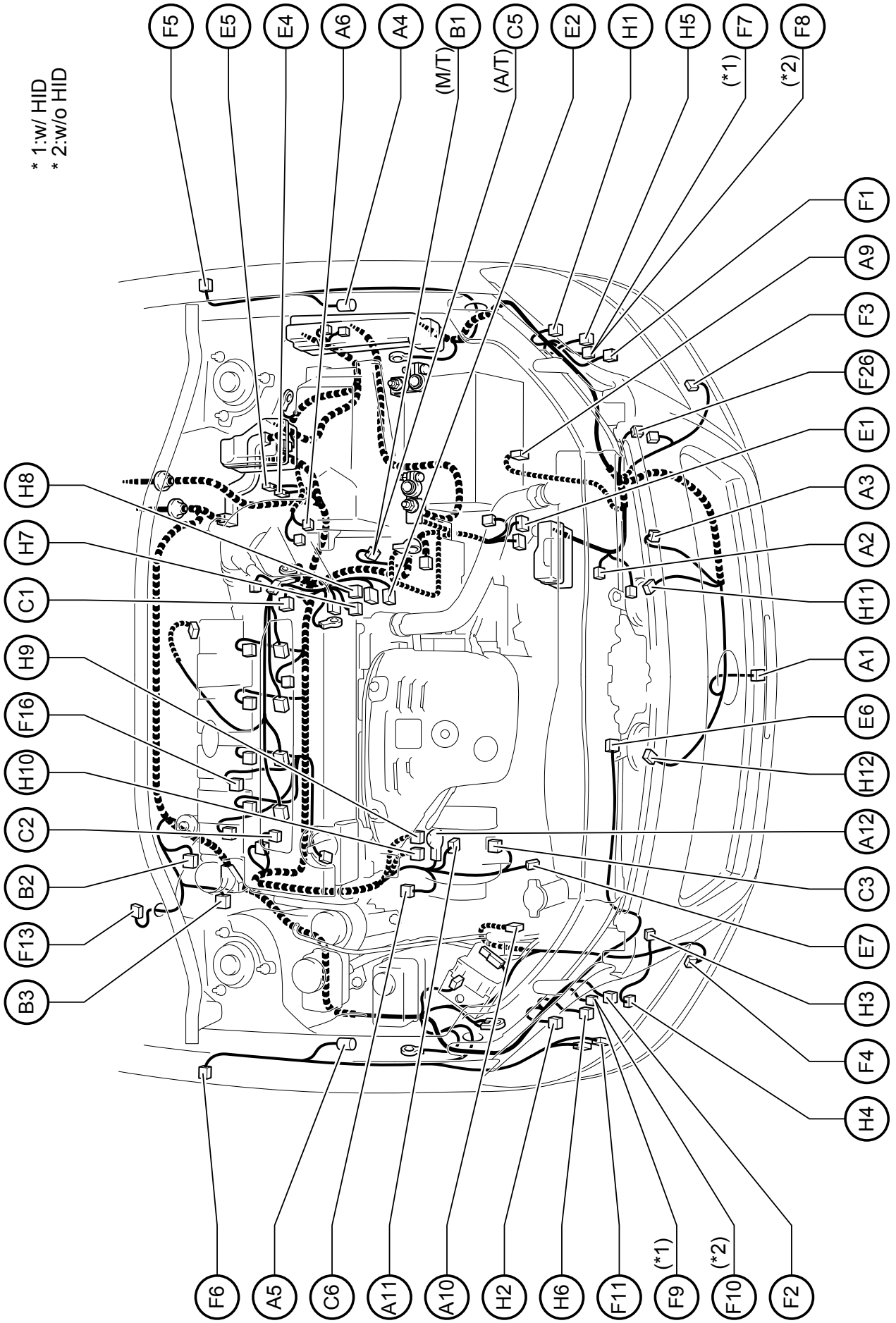


Position of Parts in Engine Compartment <LHD 2AZ-FSE, 1AZ-FSE>









- A 1 A/C Ambient Temp. Sensor
- A 2 A/C Condenser Fan Motor
- A 3 A/C Pressure Sensor
- A 4 ABS Speed Sensor Front LH
- A 5 ABS Speed Sensor Front RH
- A 6 Air Flow Meter
- A 9 Airbag Sensor Front LH
- A 10 Airbag Sensor Front RH
- A 11 Alternator
- A 12 Alternator (1CD-FTV)
- A 12 Alternator (Except 1CD-FTV)

- B 1 Back-Up Light SW
- B 2 Brake Booster Pressure Sensor
- B 3 Brake Fluid Level Warning SW

- C 1 Camshaft Position Sensor
- C 2 Camshaft Timing Oil Control Valve
- C 3 Compressor Assembly (2AD-FHV, 2AD-FTV)
- C 3 Compressor Assembly (Except 2AD-FHV, 2AD-FTV)
- C 5 Counter Gear Speed Sensor
- C 6 Crankshaft Position Sensor (2AD-FHV, 2AD-FTV)
- C 6 Crankshaft Position Sensor (2AZ-FSE, 1AZ-FSE, 1AZ-FE, 1ZZ-FE, 3ZZ-FE)
- C 6 Crankshaft Position Sensor (1CD-FTV)

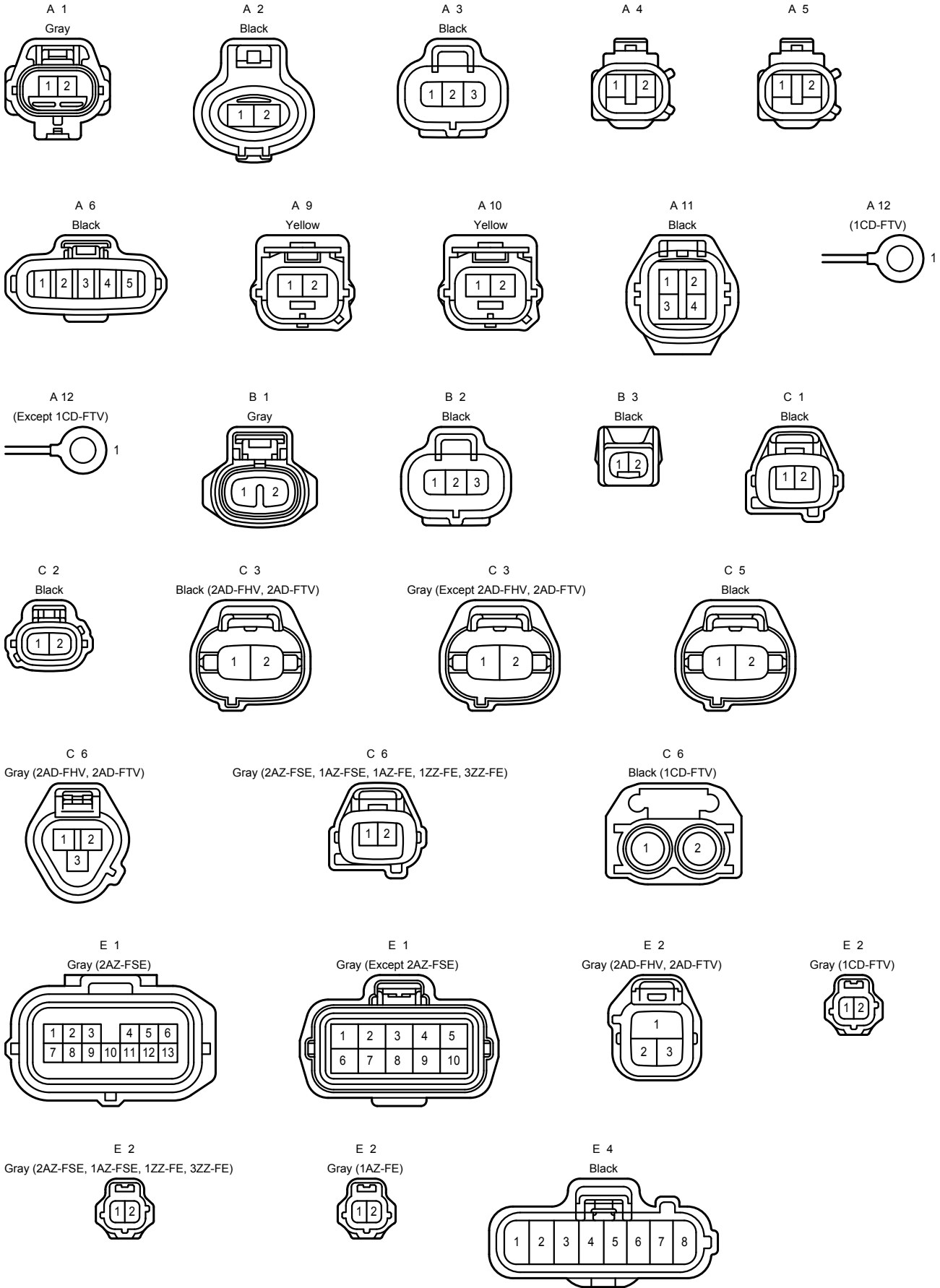
- E 1 ECT Solenoid (2AZ-FSE)
- E 1 ECT Solenoid (Except 2AZ-FSE)
- E 2 EFI Water Temp. Sensor (2AD-FHV, 2AD-FTV)
- E 2 EFI Water Temp. Sensor (1CD-FTV)
- E 2 EFI Water Temp. Sensor (2AZ-FSE, 1AZ-FSE, 1ZZ-FE, 3ZZ-FE)
- E 2 EFI Water Temp. Sensor (1AZ-FE)
- E 4 Electronic Driver Unit
- E 5 Electronic Driver Unit (1CD-FTV, 2AD-FTV)
- E 5 Electronic Driver Unit (2AZ-FSE, 1AZ-FSE)
- E 6 Engine Hood Courtesy SW
- E 7 Engine Oil Level Sensor (2AZ-FSE)
- E 7 Engine Oil Level Sensor (1CD-FTV, 2AD-FHV, 2AD-FTV)

- F 1 Front Clearance Light LH
- F 2 Front Clearance Light RH
- F 3 Front Fog Light LH
- F 4 Front Fog Light RH
- F 5 Front Side Turn Signal Light LH
- F 6 Front Side Turn Signal Light RH
- F 7 Front Turn Signal Light LH , Headlight Control ECU LH
- F 8 Front Turn Signal Light LH , Headlight LH (Low)
- F 9 Front Turn Signal Light RH , Headlight Control ECU RH
- F 10 Front Turn Signal Light RH , Headlight RH (Low)
- F 11 Front Washer Motor
- F 13 Front Wiper Motor
- F 16 Fuel Pressure Sensor (1CD-FTV, 2AD-FHV)
- F 16 Fuel Pressure Sensor (2AZ-FSE, 1AZ-FSE)
- F 26 Fuel Pump Resistor

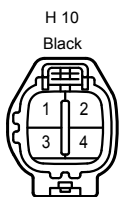
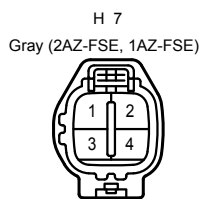
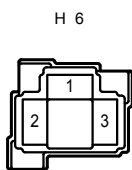
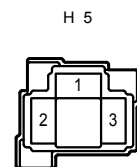
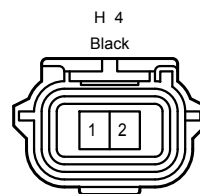
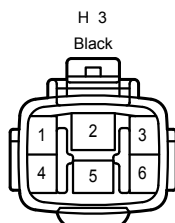
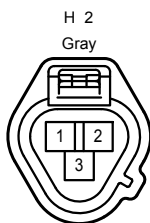
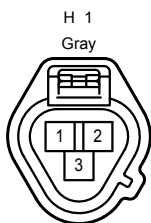
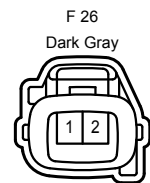
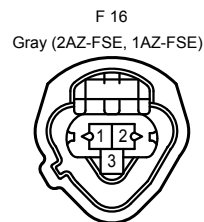
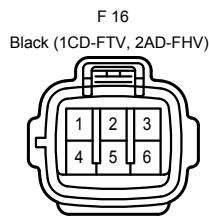
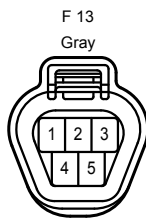
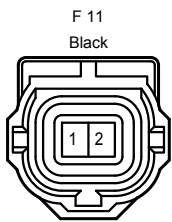
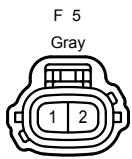
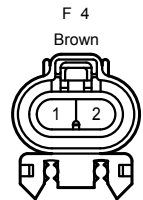
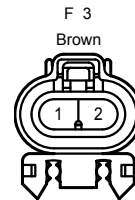
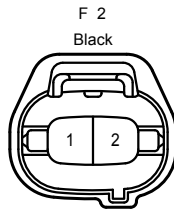
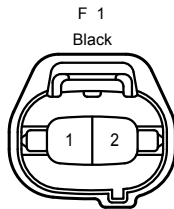
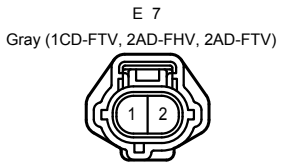
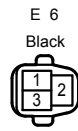
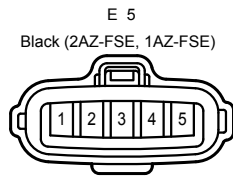
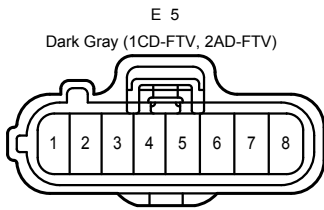
- H 1 Headlight Beam Level Control Actuator LH
- H 2 Headlight Beam Level Control Actuator RH
- H 3 Headlight Cleaner Control Relay
- H 4 Headlight Cleaner Motor
- H 5 Headlight LH (High)

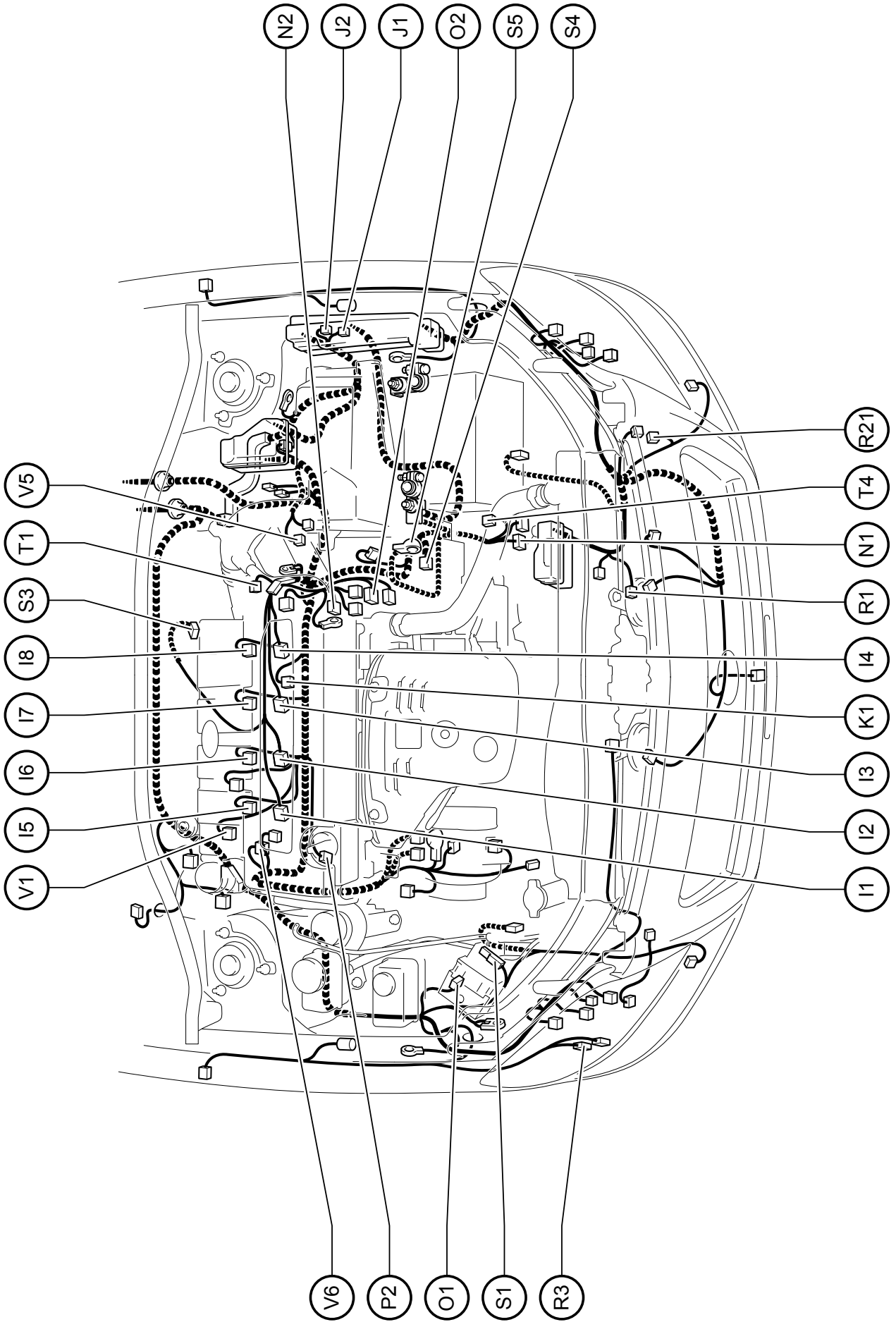
- H 6 Headlight RH (High)
- H 7 Heated Oxygen Sensor (Bank 1 Sensor 1) (1ZZ-FE, 3ZZ-FE)
- H 7 Heated Oxygen Sensor (Bank 1 Sensor 1) (2AZ-FSE, 1AZ-FSE)
- H 8 Heated Oxygen Sensor (Bank 1 Sensor 2)
- H 9 Heated Oxygen Sensor (Bank 2 Sensor 1)
- H 10 Heated Oxygen Sensor (Bank 2 Sensor 2)
- H 11 Horn LH
- H 12 Horn RH

Position of Parts in Engine Compartment <RHD 2AZ-FSE, 1AZ-FSE>



Position of Parts in Engine Compartment <RHD 2AZ-FSE, 1AZ-FSE>





- I 1 Ignition Coil and Igniter No.1
- I 2 Ignition Coil and Igniter No.2
- I 3 Ignition Coil and Igniter No.3
- I 4 Ignition Coil and Igniter No.4
- I 5 Injector No.1 (2AD-FTV)
- I 5 Injector No.1 (2AD-FHV)
- I 5 Injector No.1 (1AZ-FE, 1ZZ-FE, 3ZZ-FE, 1CD-FTV)
- I 5 Injector No.1 (2AZ-FSE, 1AZ-FSE)
- I 6 Injector No.2 (2AD-FTV)
- I 6 Injector No.2 (2AD-FHV)
- I 6 Injector No.2 (1AZ-FE, 1ZZ-FE, 3ZZ-FE, 1CD-FTV)
- I 6 Injector No.2 (2AZ-FSE, 1AZ-FSE)
- I 7 Injector No.3 (2AD-FTV)
- I 7 Injector No.3 (2AD-FHV)
- I 7 Injector No.3 (1AZ-FE, 1ZZ-FE, 3ZZ-FE, 1CD-FTV)
- I 7 Injector No.3 (2AZ-FSE, 1AZ-FSE)
- I 8 Injector No.4 (2AD-FTV)
- I 8 Injector No.4 (2AD-FHV)
- I 8 Injector No.4 (1AZ-FE, 1ZZ-FE, 3ZZ-FE, 1CD-FTV)
- I 8 Injector No.4 (2AZ-FSE, 1AZ-FSE)

- J 1 Junction Connector
- J 2 Junction Connector

- K 1 Knock Sensor (Bank 1)

- N 1 Neutral Start SW
- N 2 Noise Filter (Ignition)

- O 1 Oil Pressure Sensor
- O 2 Oil Pressure SW

- P 2 Power Steering Oil Pressure SW

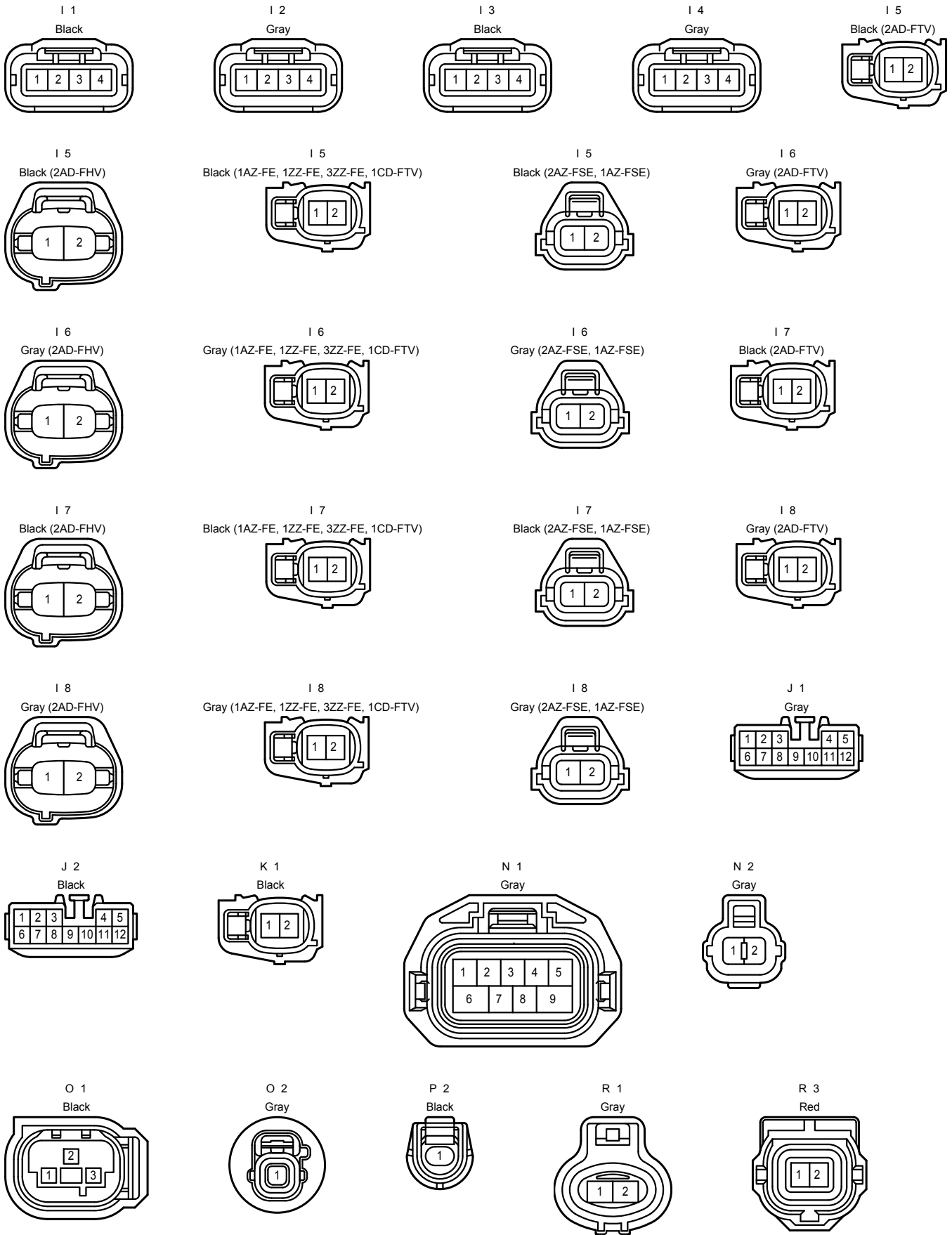
- R 1 Radiator Fan Motor
- R 3 Rear Washer Motor
- R 21 Radiator Fan Relay

- S 1 Skid Control ECU with Actuator
- S 3 Spill Valve
- S 4 Starter
- S 5 Starter (2AD-FHV, 2AD-FTV)
- S 5 Starter (2AZ-FSE, 1AZ-FSE, 1AZ-FE)
- S 5 Starter (1ZZ-FE, 3ZZ-FE)
- S 5 Starter (1CD-FTV)

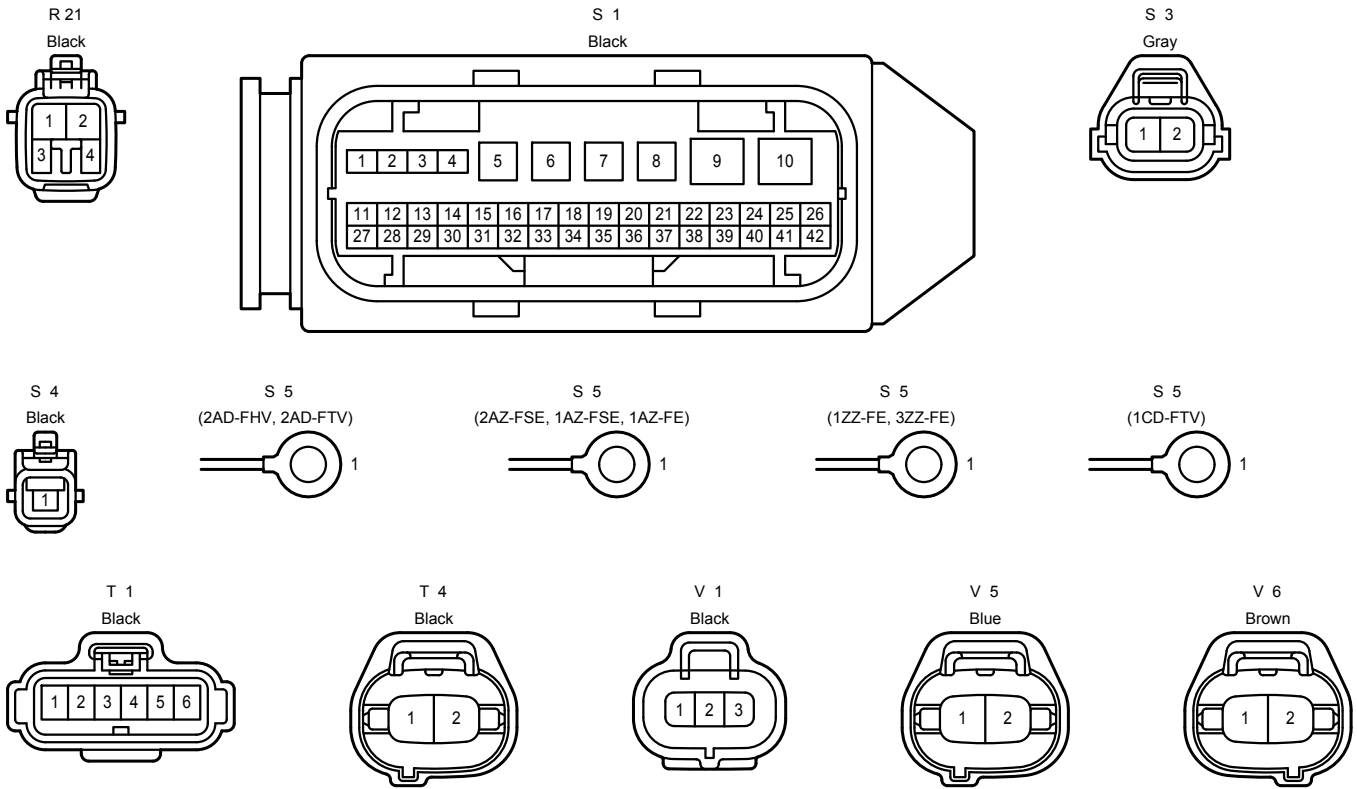
- T 1 Throttle Control Motor and Position Sensor
- T 4 Turbine Speed Sensor

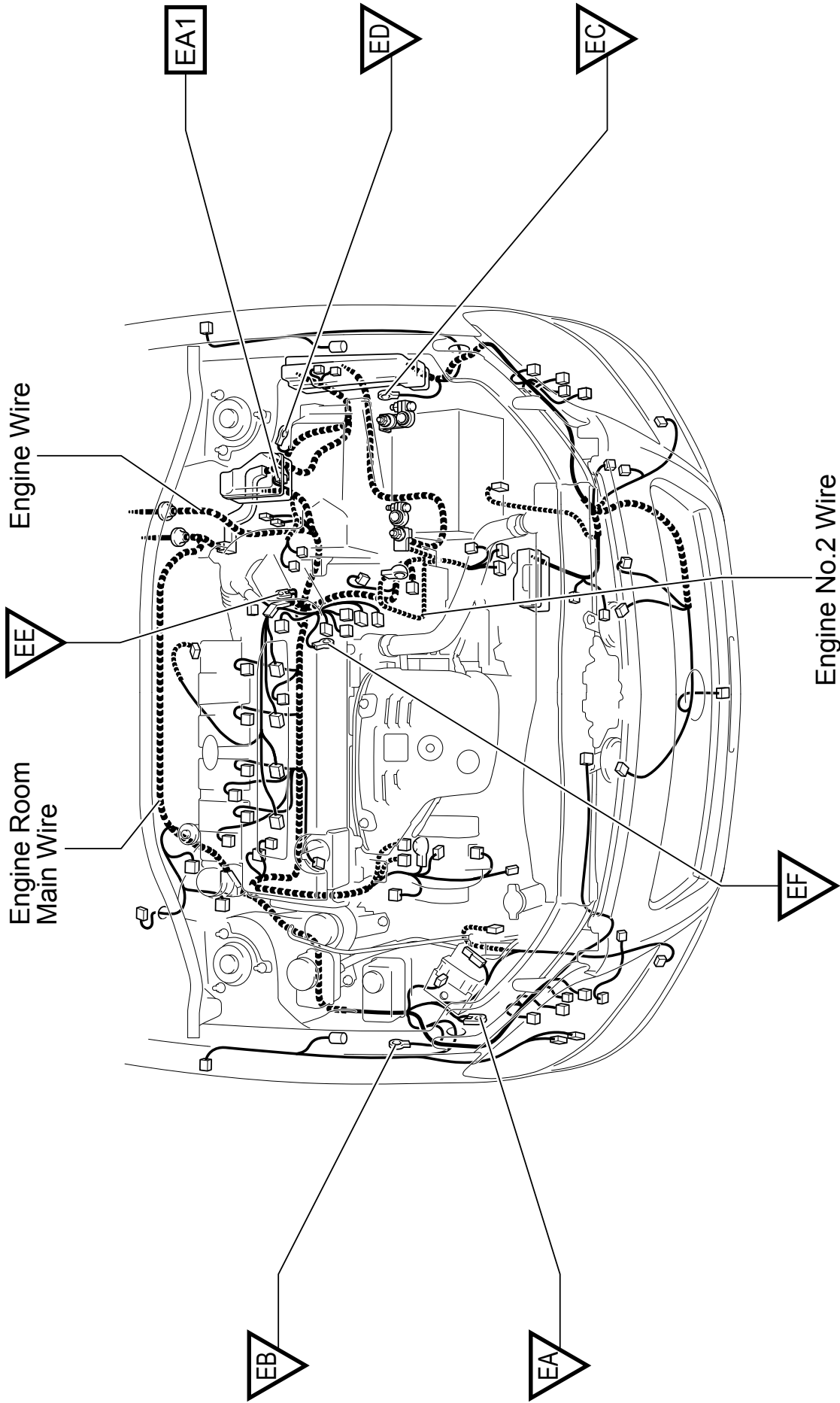
- V 1 Vacuum Sensor
- V 5 VSV (EVAP)
- V 6 VSV (Intake Air Control Valve)

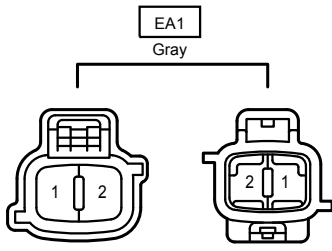
Position of Parts in Engine Compartment <RHD 2AZ-FSE, 1AZ-FSE>

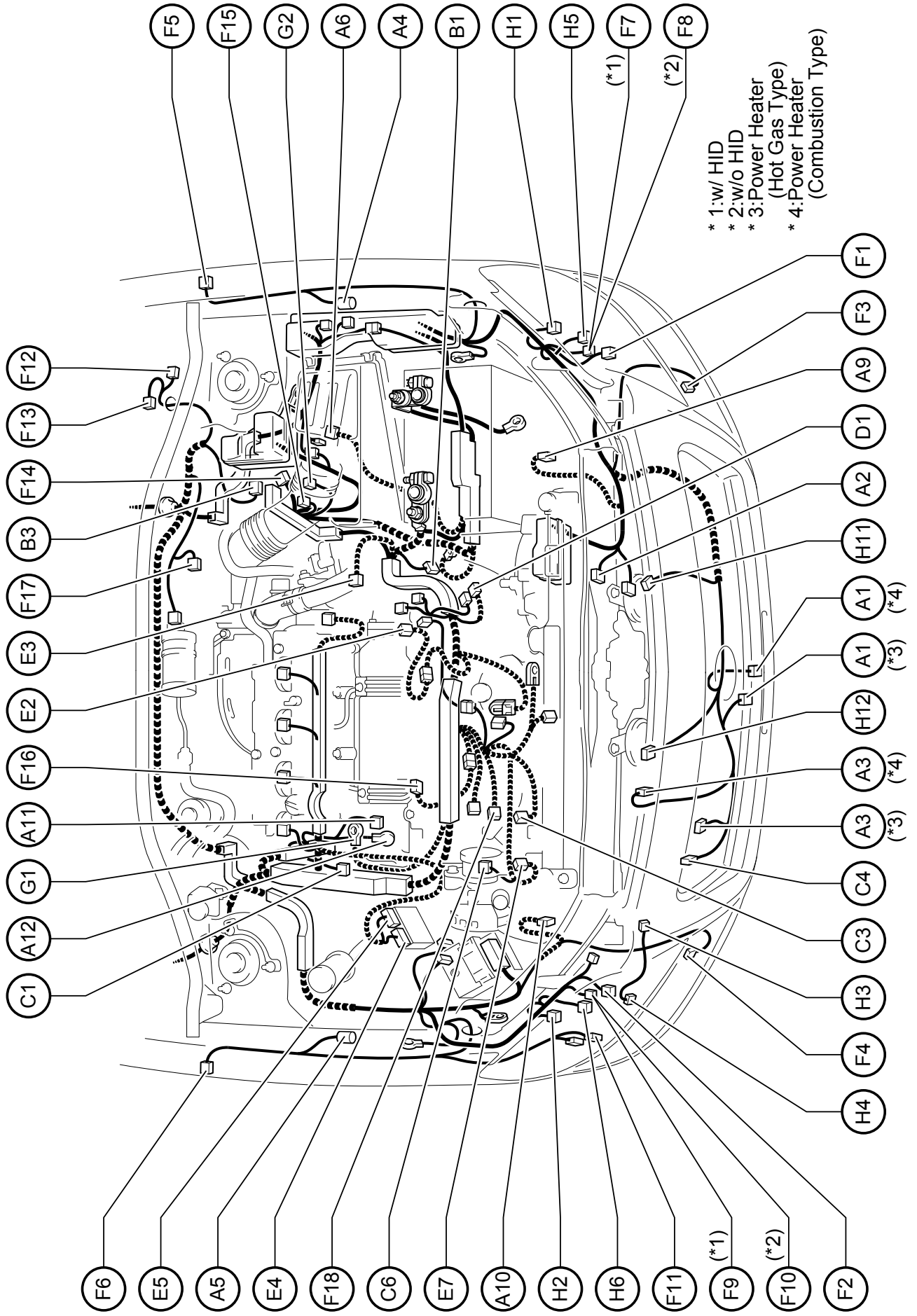


Position of Parts in Engine Compartment <RHD 2AZ-FSE, 1AZ-FSE>









- A 1 A/C Ambient Temp. Sensor
- A 2 A/C Condenser Fan Motor
- A 3 A/C Pressure Sensor
- A 4 ABS Speed Sensor Front LH
- A 5 ABS Speed Sensor Front RH
- A 6 Air Flow Meter
- A 9 Airbag Sensor Front LH
- A 10 Airbag Sensor Front RH
- A 11 Alternator
- A 12 Alternator (1CD-FTV)
- A 12 Alternator (Except 1CD-FTV)

- B 1 Back-Up Light SW
- B 3 Brake Fluid Level Warning SW

- C 1 Camshaft Position Sensor
- C 3 Compressor Assembly (2AD-FHV, 2AD-FTV)
- C 3 Compressor Assembly (Except 2AD-FHV, 2AD-FTV)
- C 4 Condenser Assembly
- C 6 Crankshaft Position Sensor (2AD-FHV, 2AD-FTV)
- C 6 Crankshaft Position Sensor (2AZ-FSE, 1AZ-FSE, 1AZ-FE, 1ZZ-FE, 3ZZ-FE)
- C 6 Crankshaft Position Sensor (1CD-FTV)

- E 2 EFI Water Temp. Sensor (2AD-FHV, 2AD-FTV)
- E 2 EFI Water Temp. Sensor (1CD-FTV)
- E 2 EFI Water Temp. Sensor (2AZ-FSE, 1AZ-FSE, 1ZZ-FE, 3ZZ-FE)
- E 2 EFI Water Temp. Sensor (1AZ-FE)
- E 3 EGR Valve Control Motor
- E 4 Electronic Driver Unit
- E 5 Electronic Driver Unit (1CD-FTV, 2AD-FTV)
- E 5 Electronic Driver Unit (2AZ-FSE, 1AZ-FSE)
- E 7 Engine Oil Level Sensor (2AZ-FSE)
- E 7 Engine Oil Level Sensor (1CD-FTV, 2AD-FHV, 2AD-FTV)

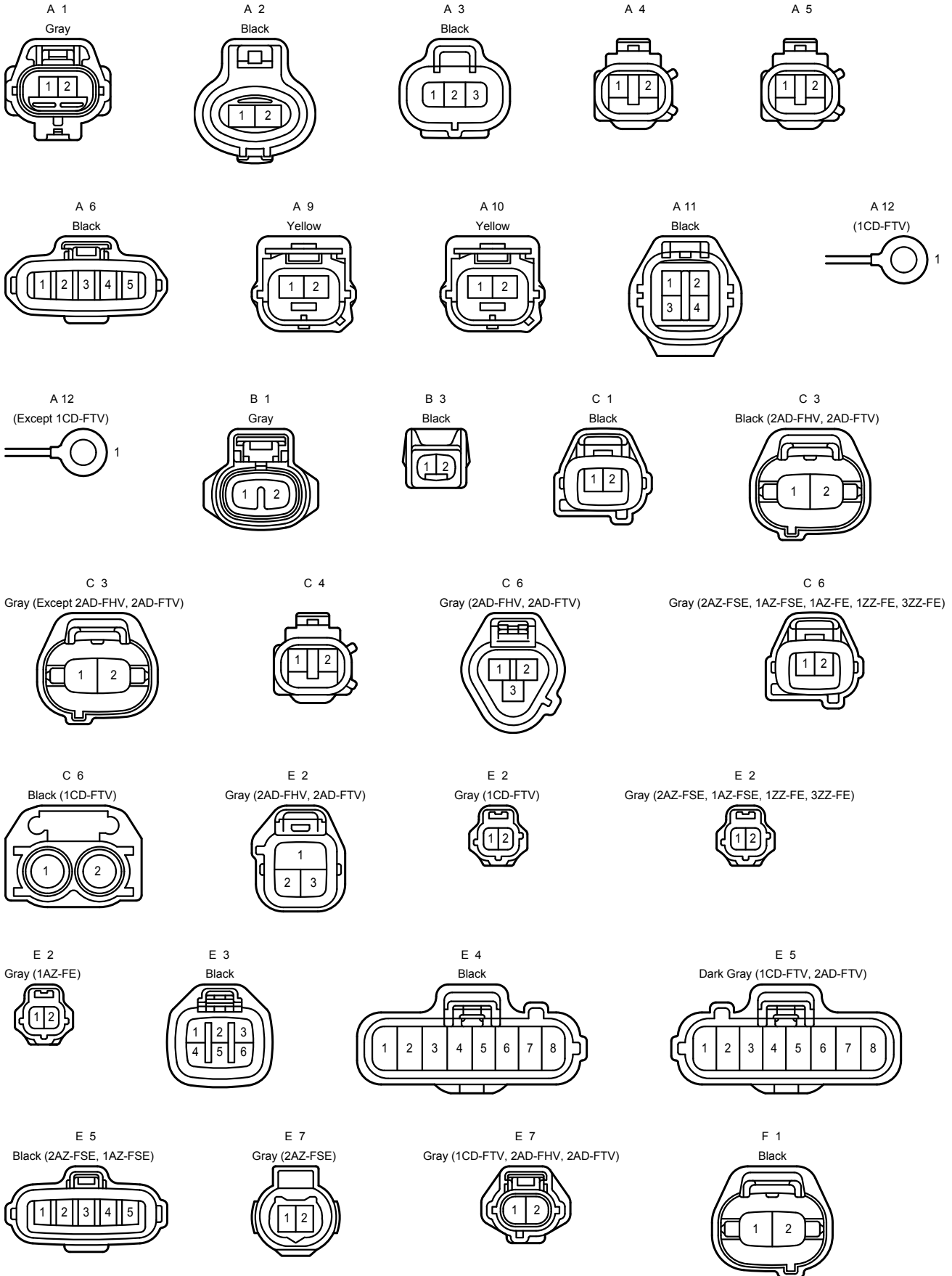
- F 1 Front Clearance Light LH
- F 2 Front Clearance Light RH
- F 3 Front Fog Light LH
- F 4 Front Fog Light RH
- F 5 Front Side Turn Signal Light LH
- F 6 Front Side Turn Signal Light RH
- F 7 Front Turn Signal Light LH , Headlight Control ECU LH
- F 8 Front Turn Signal Light LH , Headlight LH (Low)
- F 9 Front Turn Signal Light RH , Headlight Control ECU RH
- F 10 Front Turn Signal Light RH , Headlight RH (Low)
- F 11 Front Washer Motor
- F 12 Front Window Deicer
- F 13 Front Wiper Motor
- F 14 Fuel Filter Warning SW
- F 15 Fuel Heater
- F 16 Fuel Pressure Sensor (1CD-FTV, 2AD-FHV)
- F 16 Fuel Pressure Sensor (2AZ-FSE, 1AZ-FSE)
- F 17 Fuel Pump
- F 18 Fuel Temp. Sensor

- G 1 Glow Plug
- G 2 Glow Plug Relay

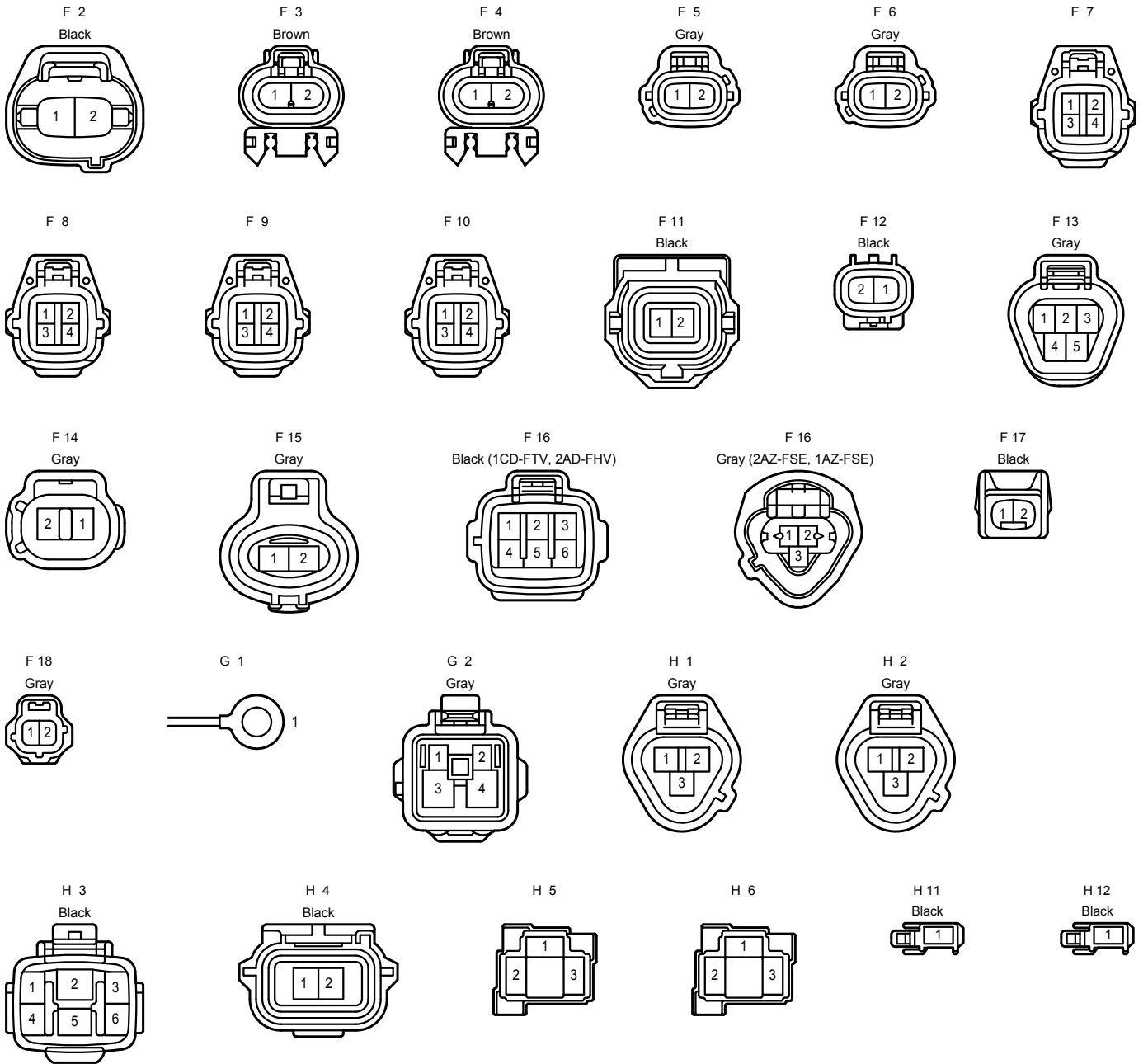
- H 1 Headlight Beam Level Control Actuator LH
- H 2 Headlight Beam Level Control Actuator RH

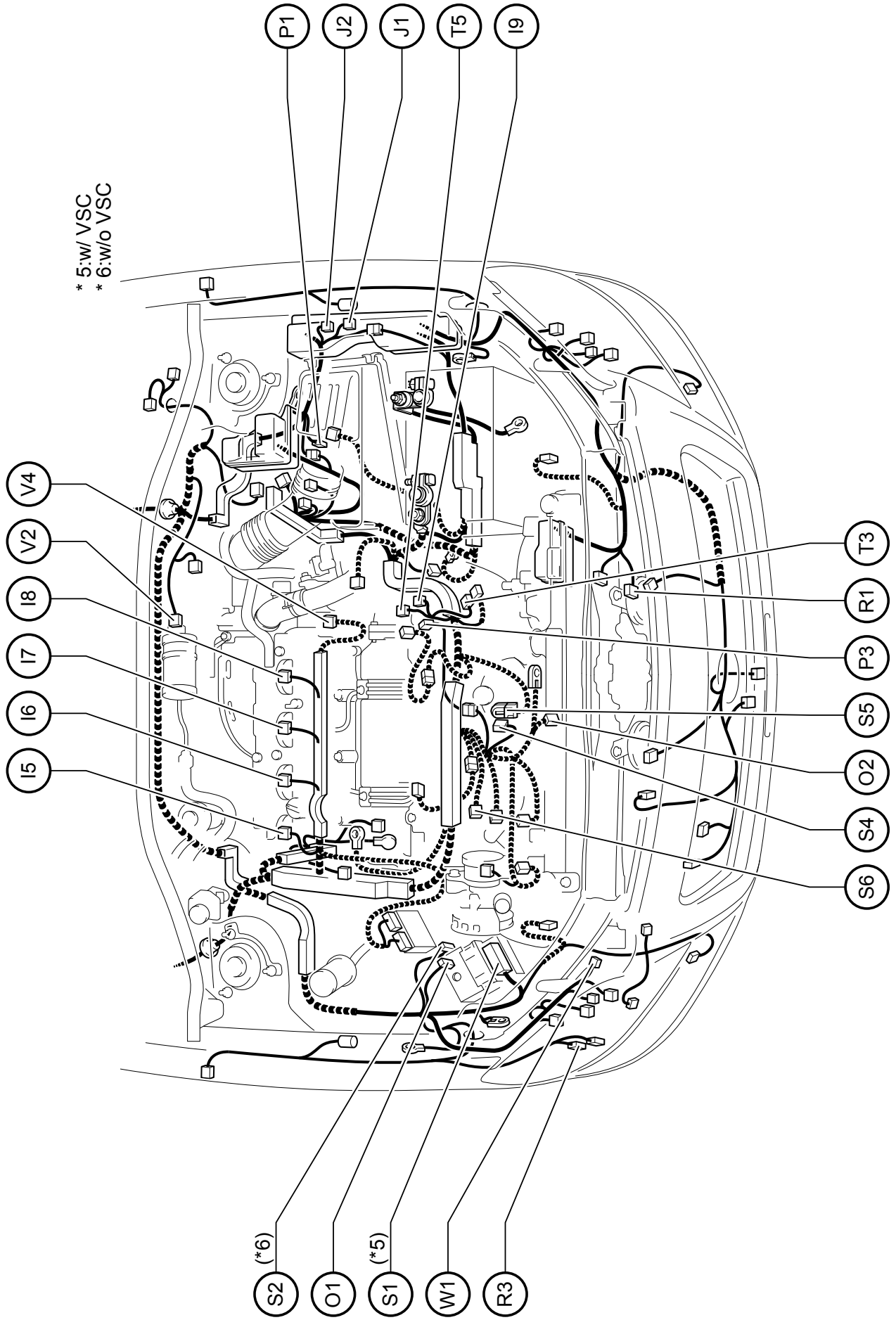
- H 3 Headlight Cleaner Control Relay
- H 4 Headlight Cleaner Motor
- H 5 Headlight LH (High)
- H 6 Headlight RH (High)
- H 11 Horn LH
- H 12 Horn RH

Position of Parts in Engine Compartment <LHD 1CD-FTV>



Position of Parts in Engine Compartment <LHD 1CD-FTV>





- I 5 Injector No.1 (2AD-FTV)
- I 5 Injector No.1 (2AD-FHV)
- I 5 Injector No.1 (1AZ-FE, 1ZZ-FE, 3ZZ-FE, 1CD-FTV)
- I 5 Injector No.1 (2AZ-FSE, 1AZ-FSE)
- I 6 Injector No.2 (2AD-FTV)
- I 6 Injector No.2 (2AD-FHV)
- I 6 Injector No.2 (1AZ-FE, 1ZZ-FE, 3ZZ-FE, 1CD-FTV)
- I 6 Injector No.2 (2AZ-FSE, 1AZ-FSE)
- I 7 Injector No.3 (2AD-FTV)
- I 7 Injector No.3 (2AD-FHV)
- I 7 Injector No.3 (1AZ-FE, 1ZZ-FE, 3ZZ-FE, 1CD-FTV)
- I 7 Injector No.3 (2AZ-FSE, 1AZ-FSE)
- I 8 Injector No.4 (2AD-FTV)
- I 8 Injector No.4 (2AD-FHV)
- I 8 Injector No.4 (1AZ-FE, 1ZZ-FE, 3ZZ-FE, 1CD-FTV)
- I 8 Injector No.4 (2AZ-FSE, 1AZ-FSE)
- I 9 Intake Air Temp. Sensor

- J 1 Junction Connector
- J 2 Junction Connector

- O 1 Oil Pressure Sensor
- O 2 Oil Pressure SW

- P 1 Power Heater Assembly
- P 3 Pressure Discharge Valve

- R 1 Radiator Fan Motor
- R 3 Rear Washer Motor

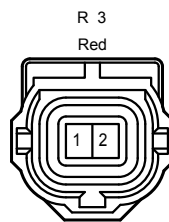
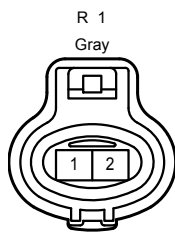
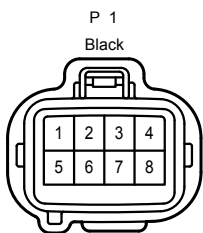
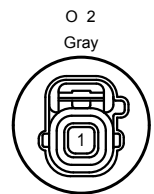
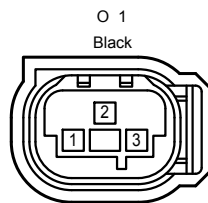
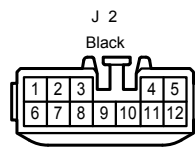
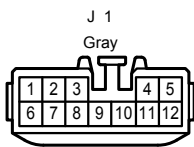
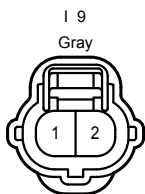
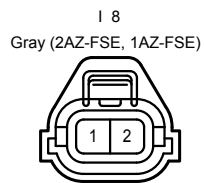
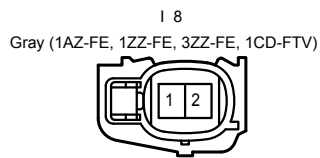
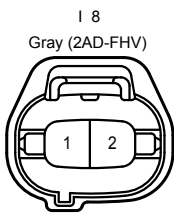
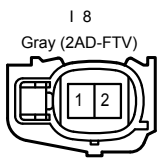
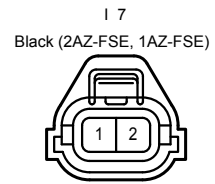
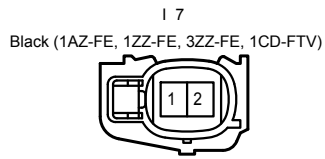
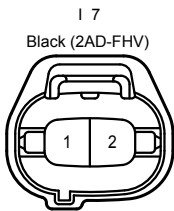
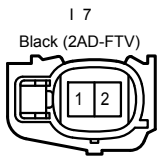
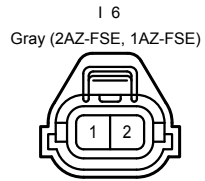
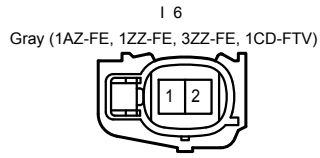
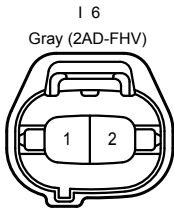
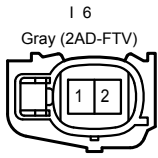
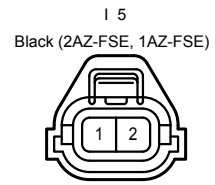
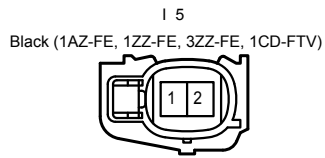
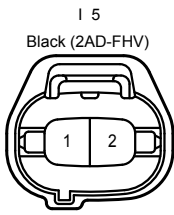
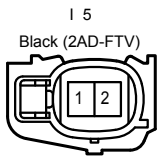
- S 1 Skid Control ECU with Actuator
- S 2 Skid Control ECU with Actuator
- S 4 Starter
- S 5 Starter (2AD-FHV, 2AD-FTV)
- S 5 Starter (2AZ-FSE, 1AZ-FSE, 1AZ-FE)
- S 5 Starter (1ZZ-FE, 3ZZ-FE)
- S 5 Starter (1CD-FTV)
- S 6 Suction Control Valve

- T 5 Turbo Pressure Sensor

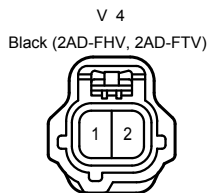
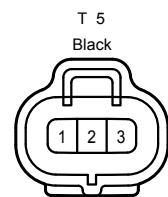
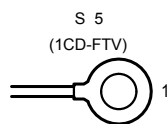
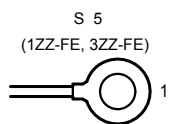
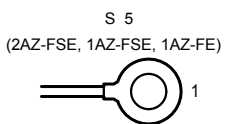
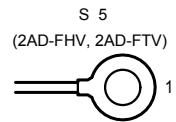
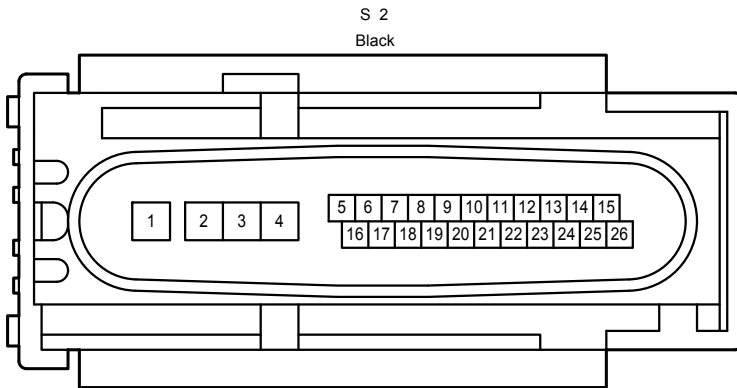
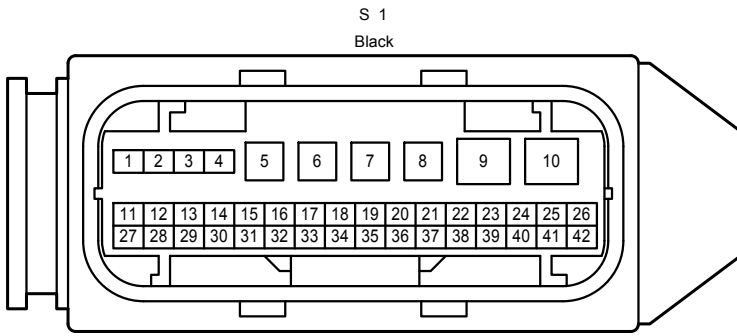
- V 2 Vacuum SW
- V 4 VRV (EGR) (2AD-FHV, 2AD-FTV)
- V 4 VRV (EGR) (1CD-FTV)

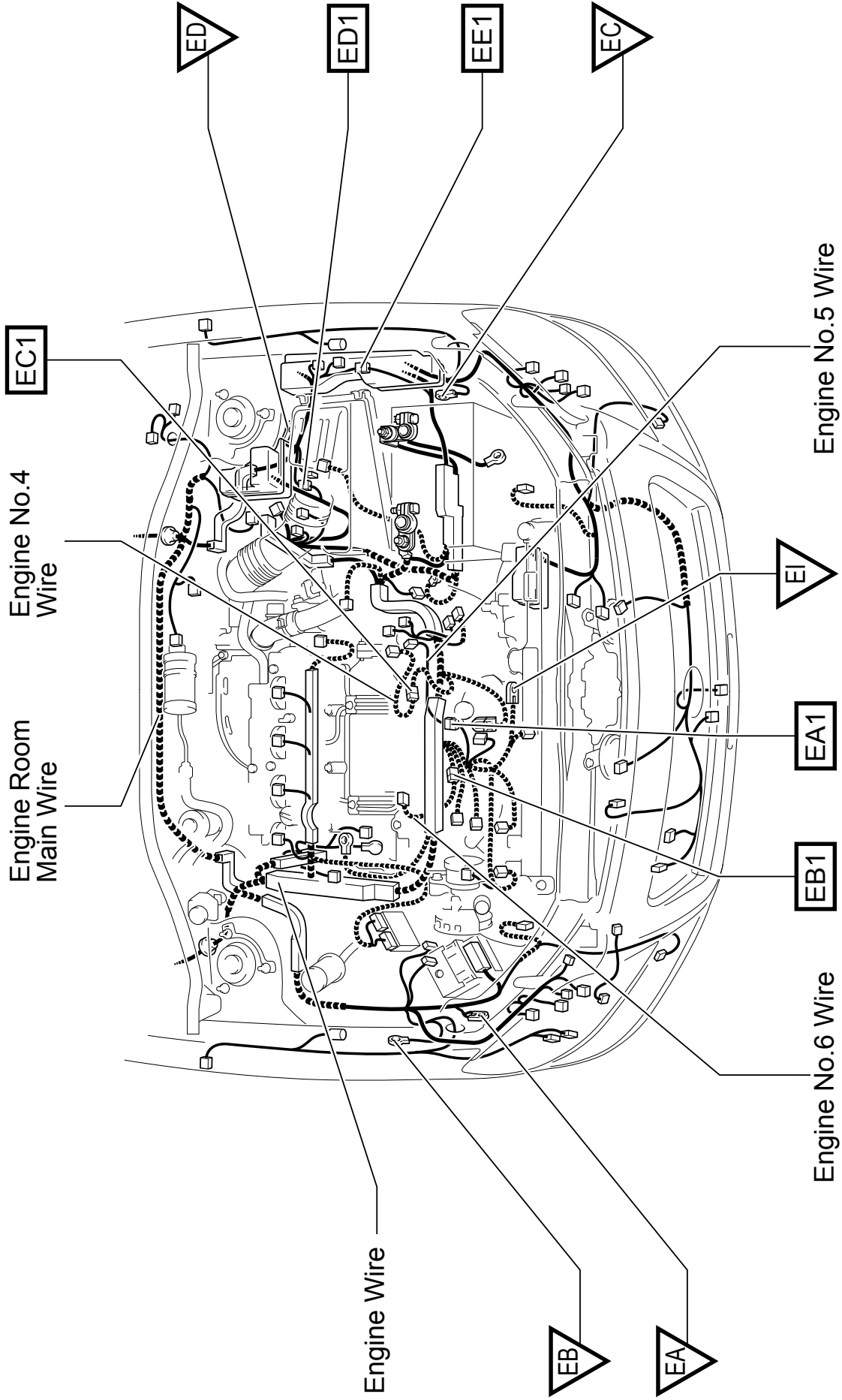
- W 1 Water Temp. SW (Radiator Fan)

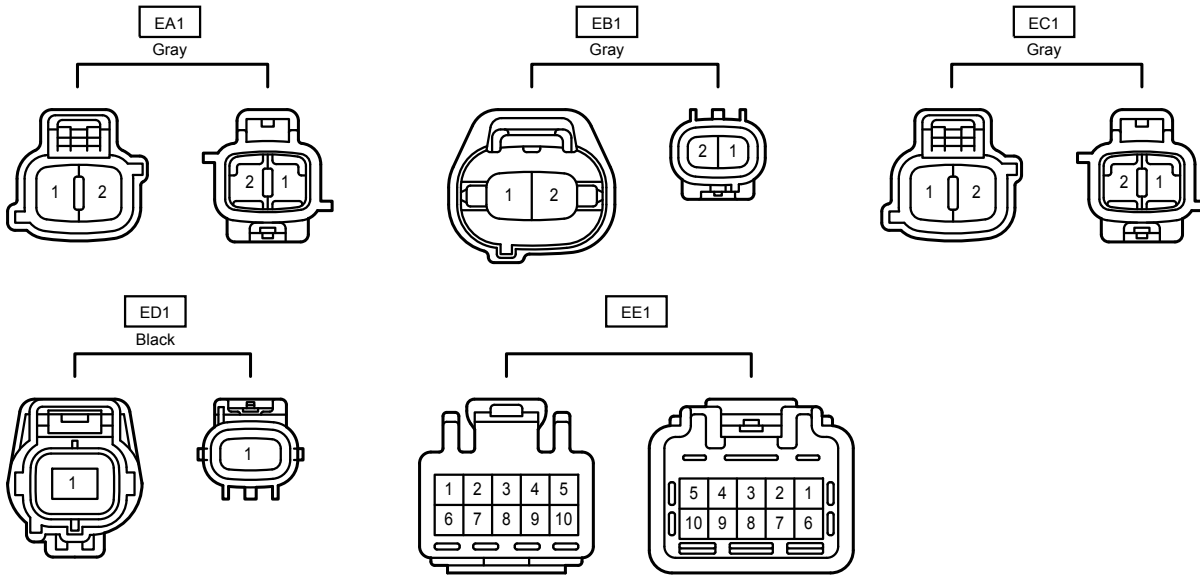
Position of Parts in Engine Compartment <LHD 1CD-FTV>

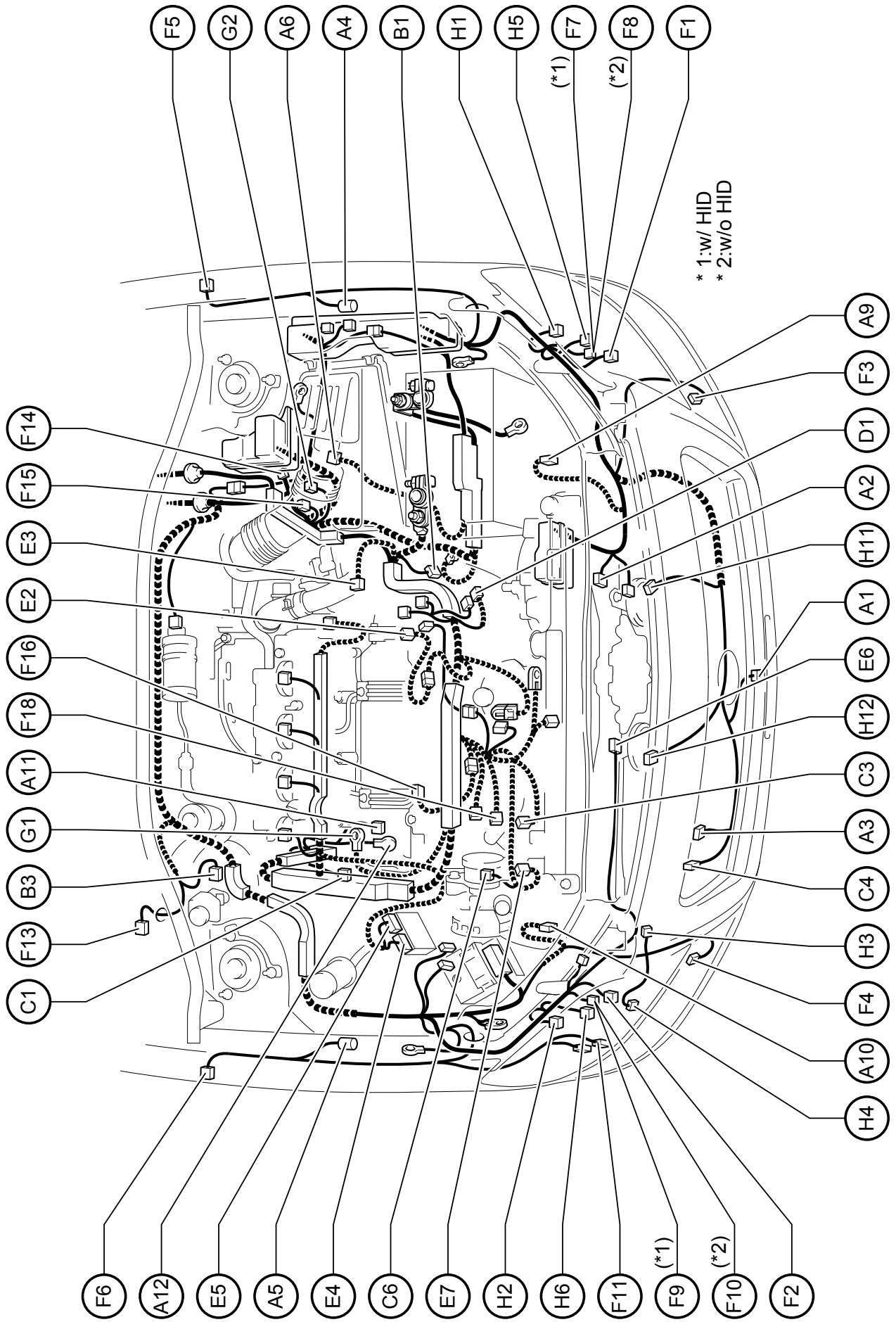


Position of Parts in Engine Compartment <LHD 1CD-FTV>









* 1:w/ HID
* 2:w/o HID

- A 1 A/C Ambient Temp. Sensor
- A 2 A/C Condenser Fan Motor
- A 3 A/C Pressure Sensor
- A 4 ABS Speed Sensor Front LH
- A 5 ABS Speed Sensor Front RH
- A 6 Air Flow Meter
- A 9 Airbag Sensor Front LH
- A 10 Airbag Sensor Front RH
- A 11 Alternator
- A 12 Alternator (1CD-FTV)
- A 12 Alternator (Except 1CD-FTV)

- B 1 Back-Up Light SW
- B 3 Brake Fluid Level Warning SW

- C 1 Camshaft Position Sensor
- C 4 Condenser Assembly
- C 6 Crankshaft Position Sensor (2AD-FHV, 2AD-FTV)
- C 6 Crankshaft Position Sensor (2AZ-FSE, 1AZ-FSE, 1AZ-FE, 1ZZ-FE, 3ZZ-FE)
- C 6 Crankshaft Position Sensor (1CD-FTV)

- D 1 Diesel Throttle Control Motor

- E 2 EFI Water Temp. Sensor (2AD-FHV, 2AD-FTV)
- E 2 EFI Water Temp. Sensor (1CD-FTV)
- E 2 EFI Water Temp. Sensor (2AZ-FSE, 1AZ-FSE, 1ZZ-FE, 3ZZ-FE)
- E 2 EFI Water Temp. Sensor (1AZ-FE)
- E 3 EGR Valve Control Motor
- E 4 Electronic Driver Unit
- E 5 Electronic Driver Unit (1CD-FTV, 2AD-FTV)
- E 5 Electronic Driver Unit (2AZ-FSE, 1AZ-FSE)
- E 6 Engine Hood Courtesy SW
- E 7 Engine Oil Level Sensor (2AZ-FSE)
- E 7 Engine Oil Level Sensor (1CD-FTV, 2AD-FHV, 2AD-FTV)

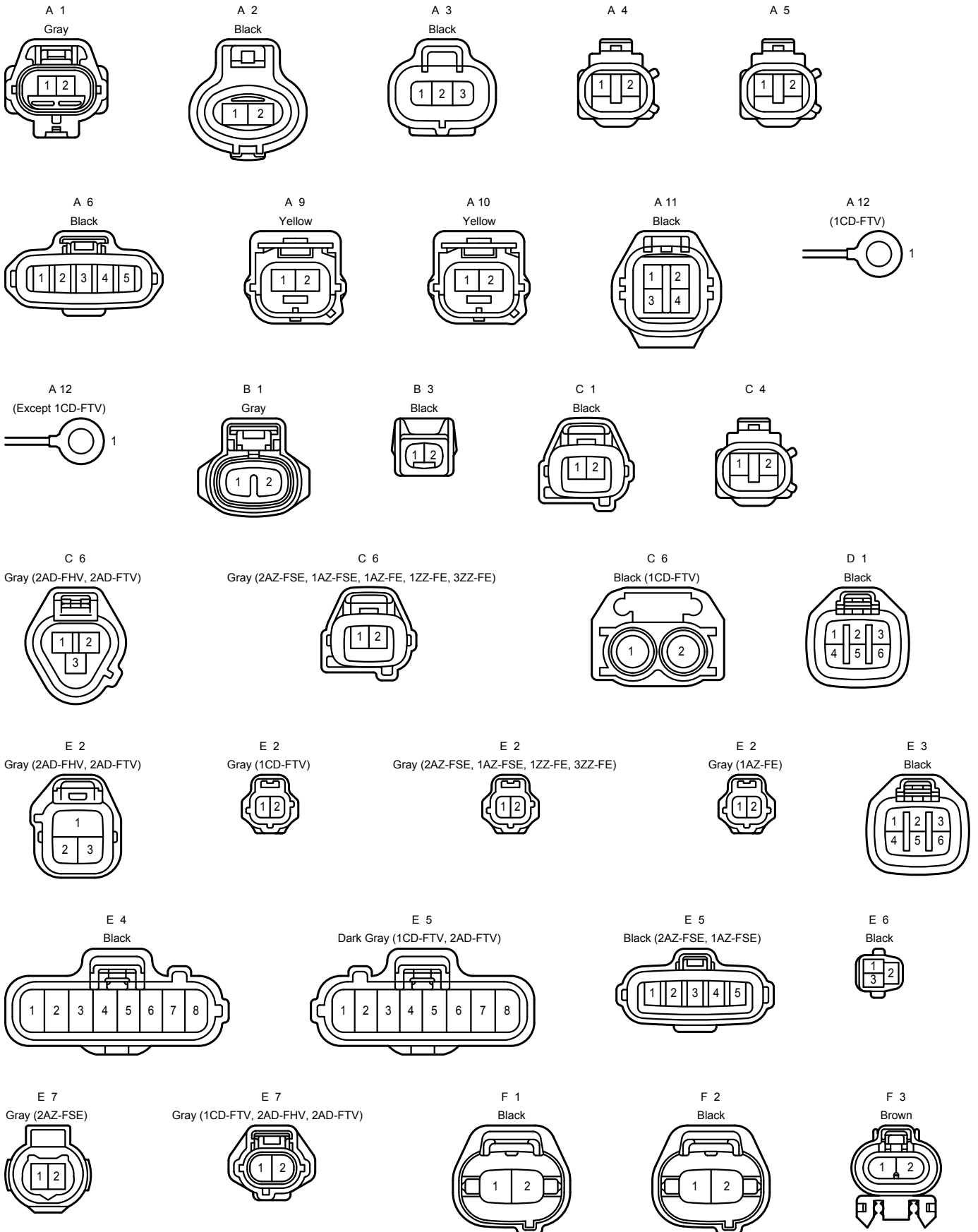
- F 1 Front Clearance Light LH
- F 2 Front Clearance Light RH
- F 3 Front Fog Light LH
- F 4 Front Fog Light RH
- F 5 Front Side Turn Signal Light LH
- F 6 Front Side Turn Signal Light RH
- F 7 Front Turn Signal Light LH , Headlight Control ECU LH
- F 8 Front Turn Signal Light LH , Headlight LH (Low)
- F 9 Front Turn Signal Light RH , Headlight Control ECU RH
- F 10 Front Turn Signal Light RH , Headlight RH (Low)
- F 11 Front Washer Motor
- F 13 Front Wiper Motor
- F 14 Fuel Filter Warning SW
- F 15 Fuel Heater
- F 16 Fuel Pressure Sensor (1CD-FTV, 2AD-FHV)
- F 16 Fuel Pressure Sensor (2AZ-FSE, 1AZ-FSE)
- F 18 Fuel Temp. Sensor

- G 1 Glow Plug
- G 2 Glow Plug Relay

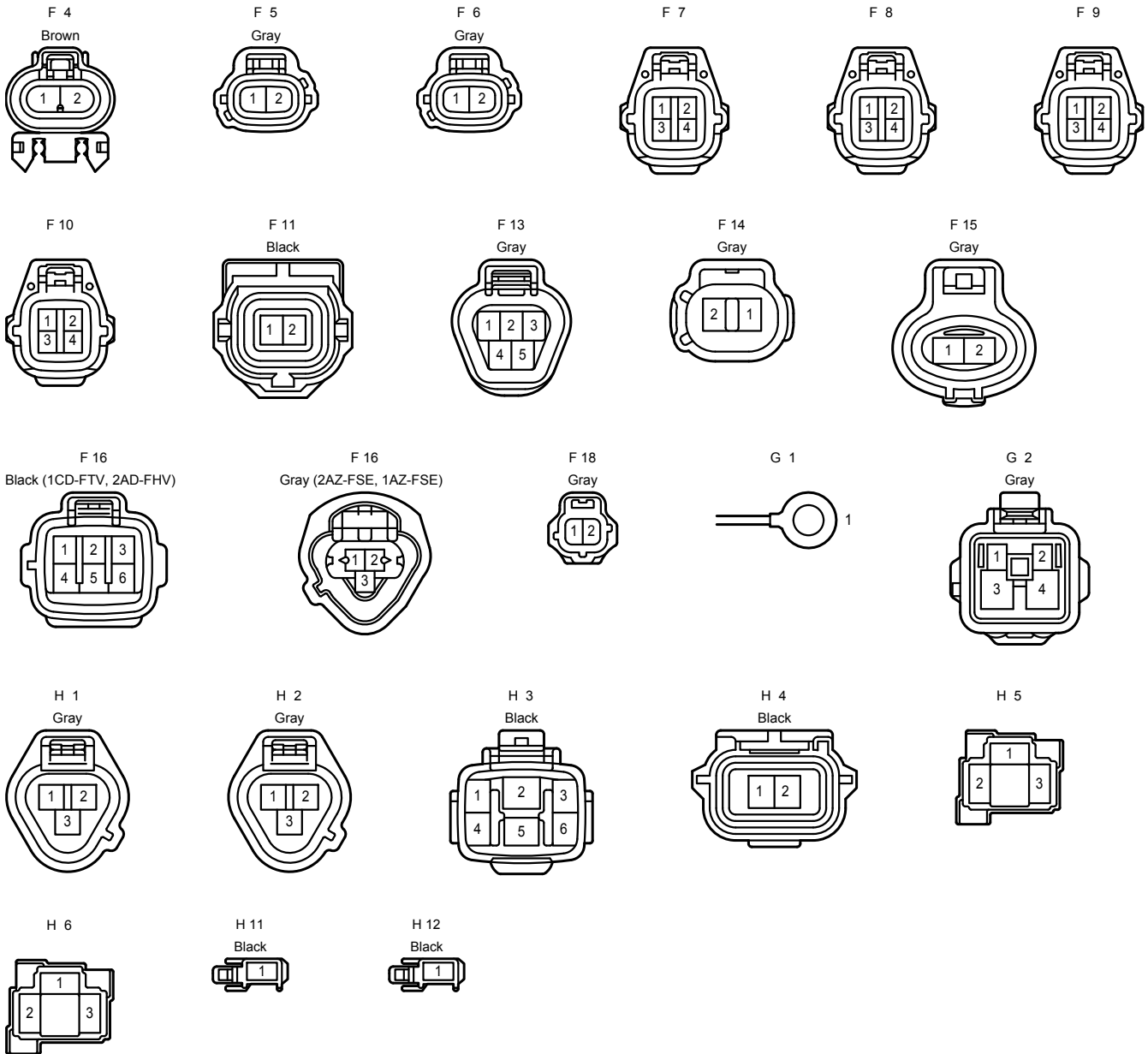
- H 1 Headlight Beam Level Control Actuator LH
- H 2 Headlight Beam Level Control Actuator RH
- H 3 Headlight Cleaner Control Relay

- H 4 Headlight Cleaner Motor
- H 5 Headlight LH (High)
- H 6 Headlight RH (High)
- H 11 Horn LH
- H 12 Horn RH

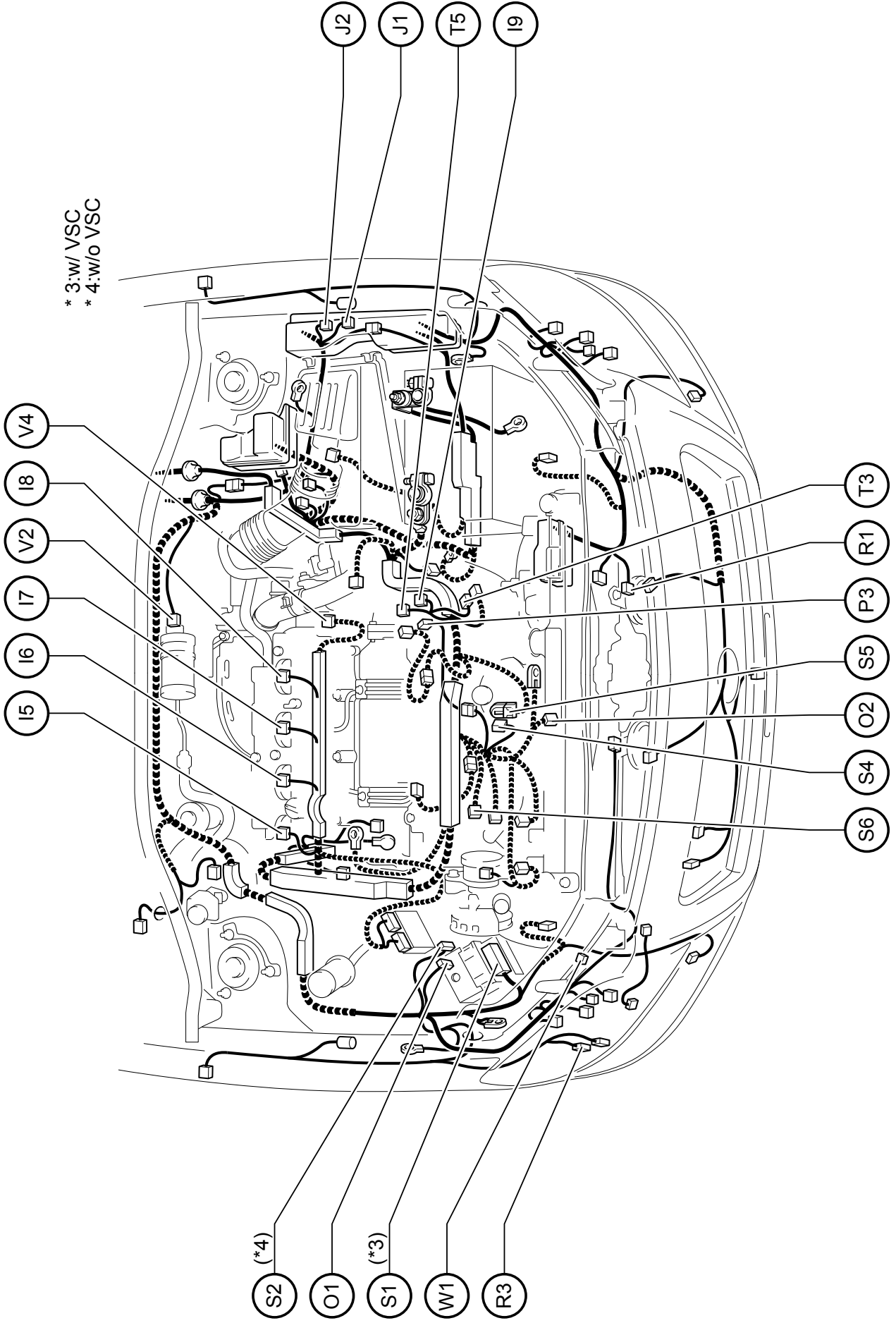
Position of Parts in Engine Compartment <RHD 1CD-FTV>



Position of Parts in Engine Compartment <RHD 1CD-FTV>



Position of Parts in Engine Compartment <RHD 1CD-FTV>



- I 5 Injector No.1 (2AD-FTV)
- I 5 Injector No.1 (2AD-FHV)
- I 5 Injector No.1 (1AZ-FE, 1ZZ-FE, 3ZZ-FE, 1CD-FTV)
- I 5 Injector No.1 (2AZ-FSE, 1AZ-FSE)
- I 6 Injector No.2 (2AD-FTV)
- I 6 Injector No.2 (2AD-FHV)
- I 6 Injector No.2 (1AZ-FE, 1ZZ-FE, 3ZZ-FE, 1CD-FTV)
- I 6 Injector No.2 (2AZ-FSE, 1AZ-FSE)
- I 7 Injector No.3 (2AD-FTV)
- I 7 Injector No.3 (2AD-FHV)
- I 7 Injector No.3 (1AZ-FE, 1ZZ-FE, 3ZZ-FE, 1CD-FTV)
- I 7 Injector No.3 (2AZ-FSE, 1AZ-FSE)
- I 8 Injector No.4 (2AD-FTV)
- I 8 Injector No.4 (2AD-FHV)
- I 8 Injector No.4 (1AZ-FE, 1ZZ-FE, 3ZZ-FE, 1CD-FTV)
- I 8 Injector No.4 (2AZ-FSE, 1AZ-FSE)
- I 9 Intake Air Temp. Sensor

- J 1 Junction Connector
- J 2 Junction Connector

- O 1 Oil Pressure Sensor
- O 2 Oil Pressure SW

- P 3 Pressure Discharge Valve

- R 1 Radiator Fan Motor
- R 3 Rear Washer Motor

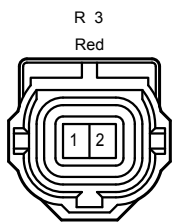
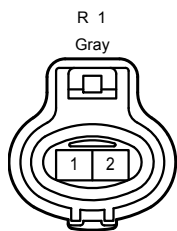
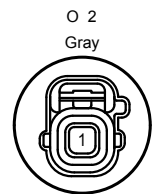
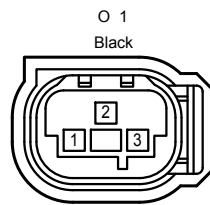
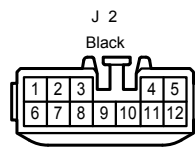
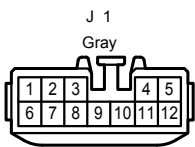
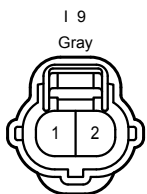
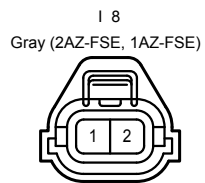
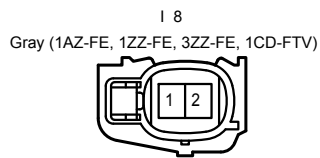
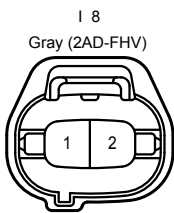
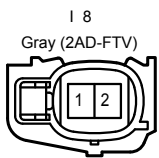
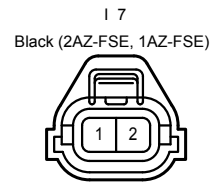
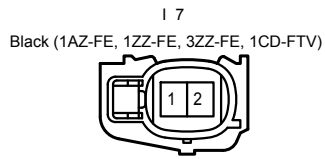
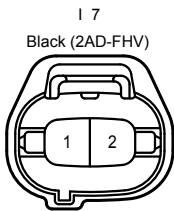
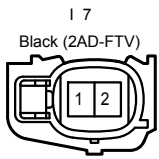
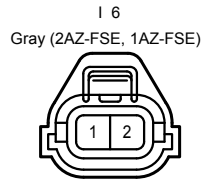
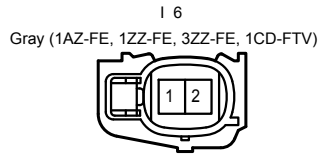
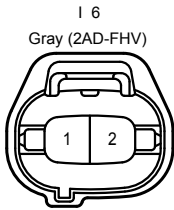
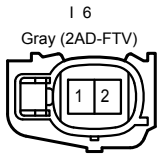
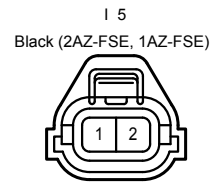
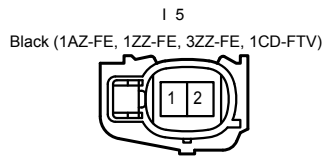
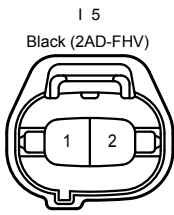
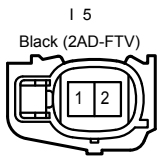
- S 1 Skid Control ECU with Actuator
- S 2 Skid Control ECU with Actuator
- S 4 Starter
- S 5 Starter (2AD-FHV, 2AD-FTV)
- S 5 Starter (2AZ-FSE, 1AZ-FSE, 1AZ-FE)
- S 5 Starter (1ZZ-FE, 3ZZ-FE)
- S 5 Starter (1CD-FTV)
- S 6 Suction Control Valve

- T 3 Throttle Position SW
- T 5 Turbo Pressure Sensor

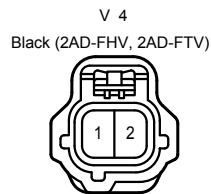
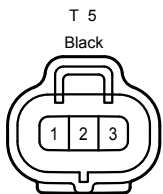
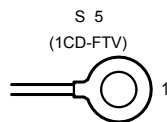
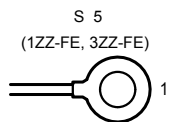
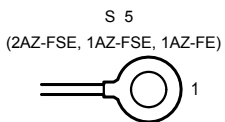
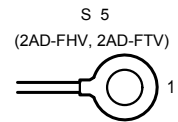
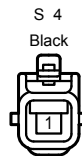
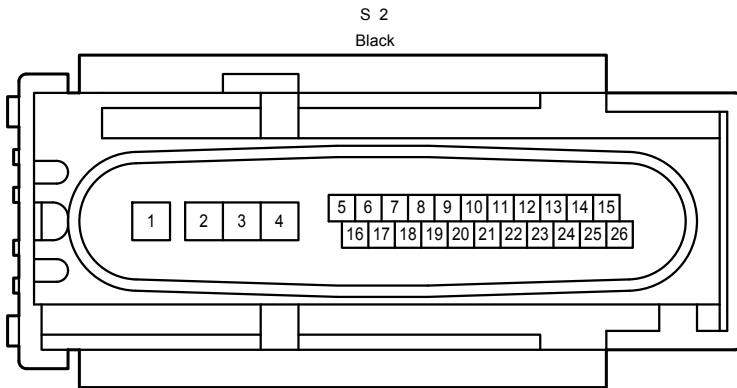
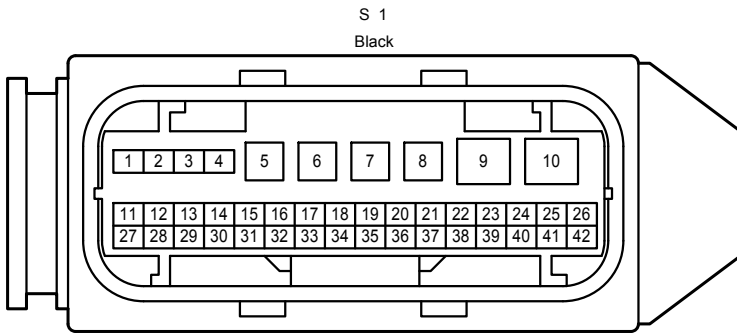
- V 2 Vacuum SW
- V 4 VRV (EGR) (2AD-FHV, 2AD-FTV)
- V 4 VRV (EGR) (1CD-FTV)

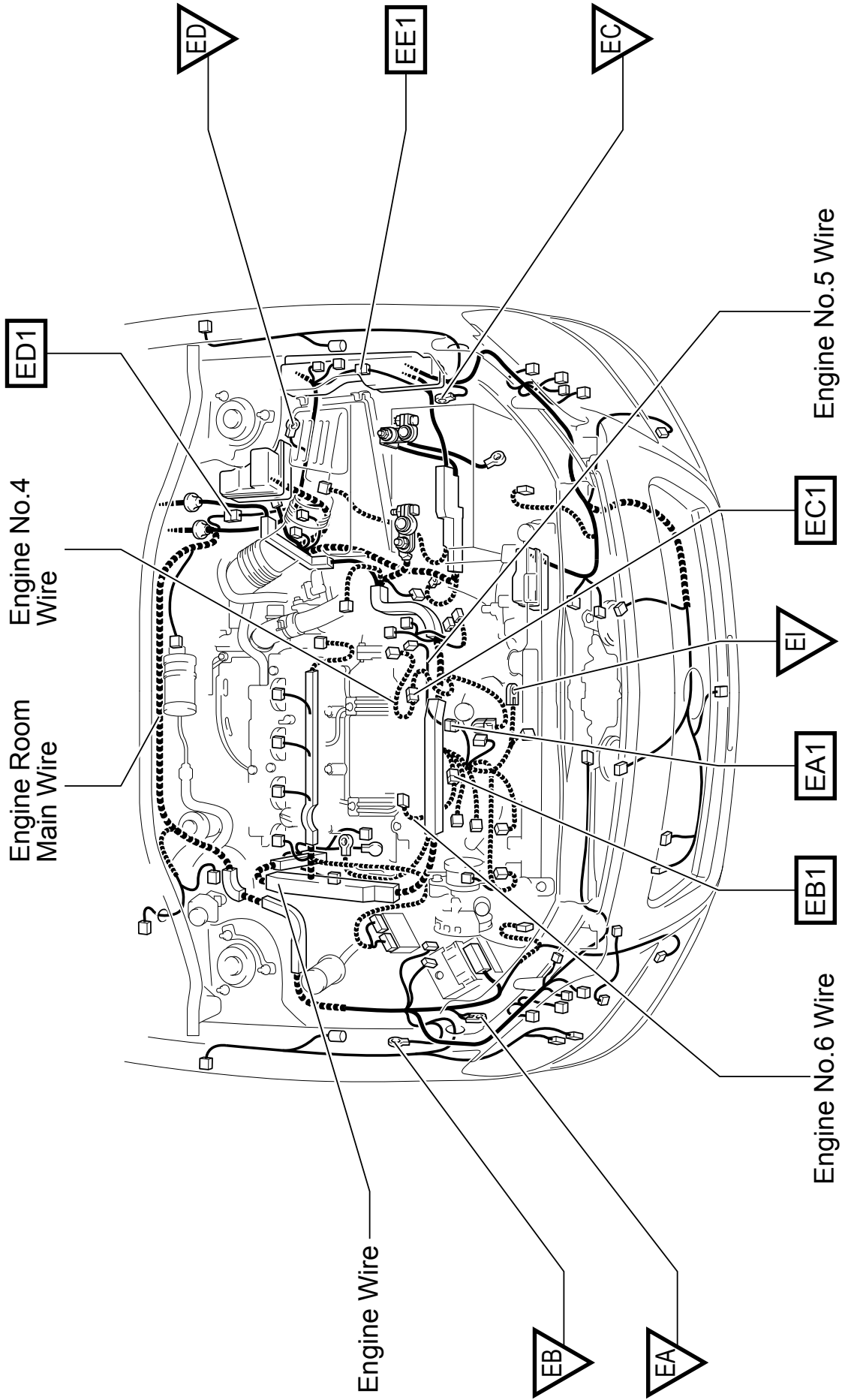
- W 1 Water Temp. SW (Radiator Fan)

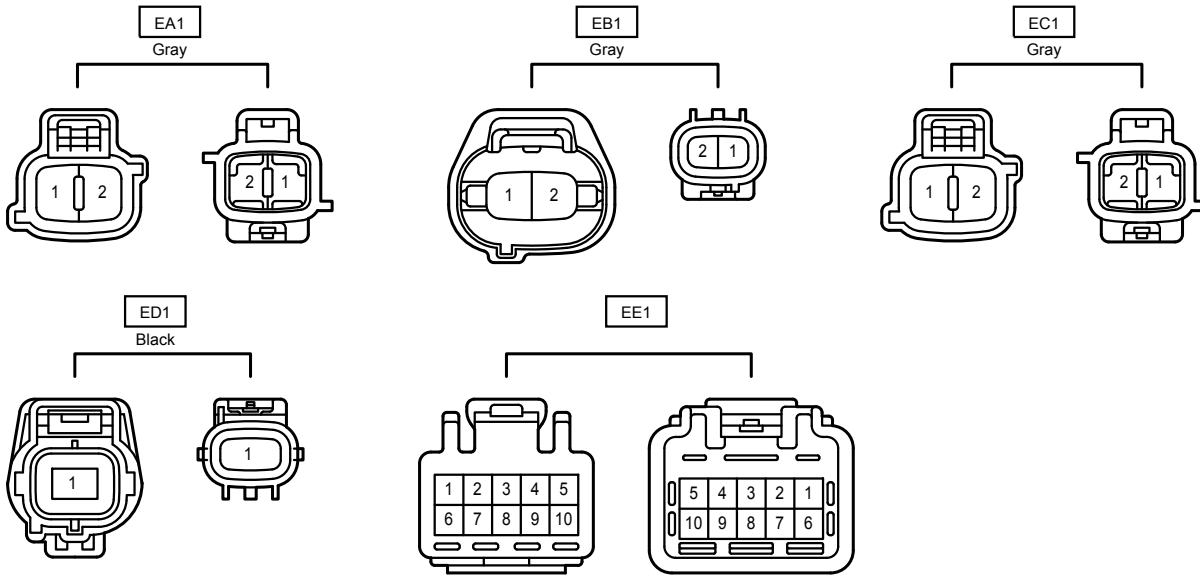
Position of Parts in Engine Compartment <RHD 1CD-FTV>



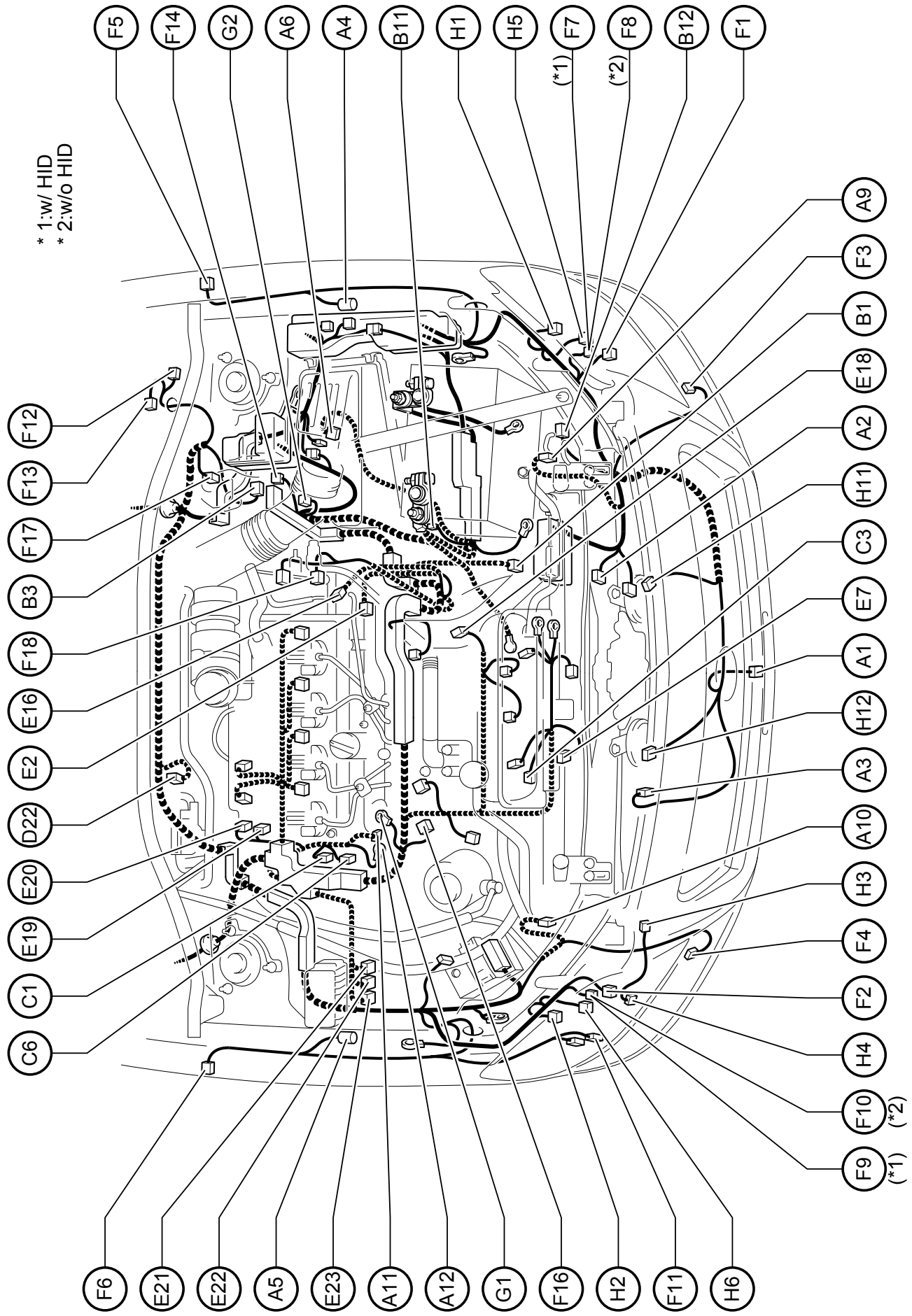
Position of Parts in Engine Compartment <RHD 1CD-FTV>







Position of Parts in Engine Compartment <LHD 2AD-FHV>



- A 1 A/C Ambient Temp. Sensor
- A 2 A/C Condenser Fan Motor
- A 3 A/C Pressure Sensor
- A 4 ABS Speed Sensor Front LH
- A 5 ABS Speed Sensor Front RH
- A 6 Air Flow Meter
- A 9 Airbag Sensor Front LH
- A 10 Airbag Sensor Front RH
- A 11 Alternator
- A 12 Alternator (1CD-FTV)
- A 12 Alternator (Except 1CD-FTV)

- B 1 Back-Up Light SW
- B 3 Brake Fluid Level Warning SW
- B 11 Battery Current Sensor
- B 12 Battery Thermometer Sensor

- C 1 Camshaft Position Sensor
- C 3 Compressor Assembly (2AD-FHV, 2AD-FTV)
- C 3 Compressor Assembly (Except 2AD-FHV, 2AD-FTV)
- C 6 Crankshaft Position Sensor (2AD-FHV, 2AD-FTV)
- C 6 Crankshaft Position Sensor (2AZ-FSE, 1AZ-FSE, 1AZ-FE, 1ZZ-FE, 3ZZ-FE)
- C 6 Crankshaft Position Sensor (1CD-FTV)

- D 22 Differential Pressure Sensor

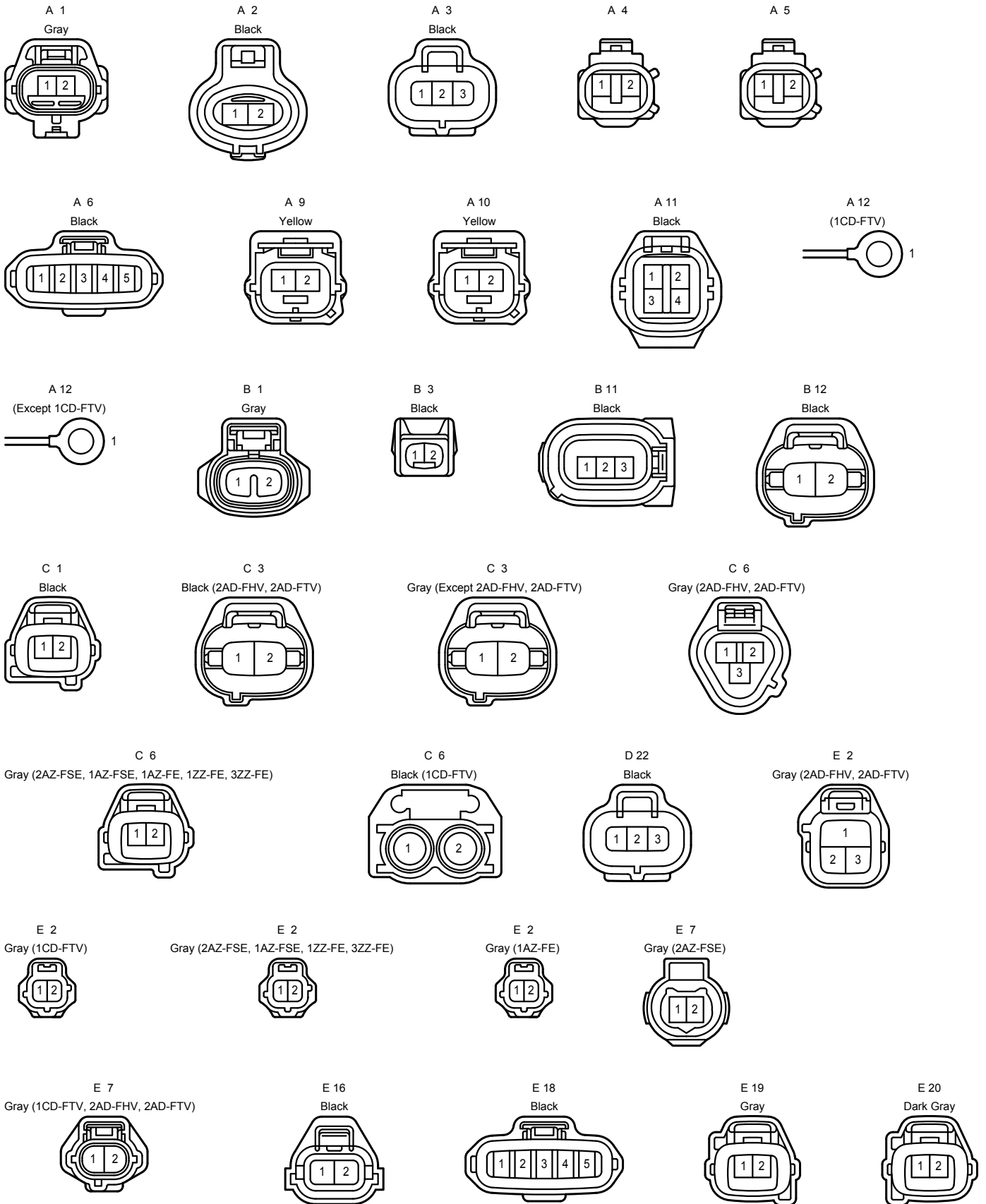
- E 2 EFI Water Temp. Sensor (2AD-FHV, 2AD-FTV)
- E 2 EFI Water Temp. Sensor (1CD-FTV)
- E 2 EFI Water Temp. Sensor (2AZ-FSE, 1AZ-FSE, 1ZZ-FE, 3ZZ-FE)
- E 2 EFI Water Temp. Sensor (1AZ-FE)
- E 7 Engine Oil Level Sensor (2AZ-FSE)
- E 7 Engine Oil Level Sensor (1CD-FTV, 2AD-FHV, 2AD-FTV)
- E 16 Exhaust Fuel Addition Injector Assembly
- E 18 EGR Valve Position Sensor
- E 19 Exhaust Gas Temperature Sensor (Front)
- E 20 Exhaust Gas Temperature Sensor (Rear)
- E 21 Electronic Driver Unit (2AD-FHV)
- E 22 Electronic Driver Unit (2AD-FHV)
- E 23 Electronic Driver Unit (2AD-FHV)

- F 1 Front Clearance Light LH
- F 2 Front Clearance Light RH
- F 3 Front Fog Light LH
- F 4 Front Fog Light RH
- F 5 Front Side Turn Signal Light LH
- F 6 Front Side Turn Signal Light RH
- F 7 Front Turn Signal Light LH , Headlight Control ECU LH
- F 8 Front Turn Signal Light LH , Headlight LH (Low)
- F 9 Front Turn Signal Light RH , Headlight Control ECU RH
- F 10 Front Turn Signal Light RH , Headlight RH (Low)
- F 11 Front Washer Motor
- F 12 Front Window Deicer
- F 13 Front Wiper Motor
- F 14 Fuel Filter Warning SW
- F 16 Fuel Pressure Sensor (1CD-FTV, 2AD-FHV)
- F 16 Fuel Pressure Sensor (2AZ-FSE, 1AZ-FSE)
- F 17 Fuel Pump
- F 18 Fuel Temp. Sensor

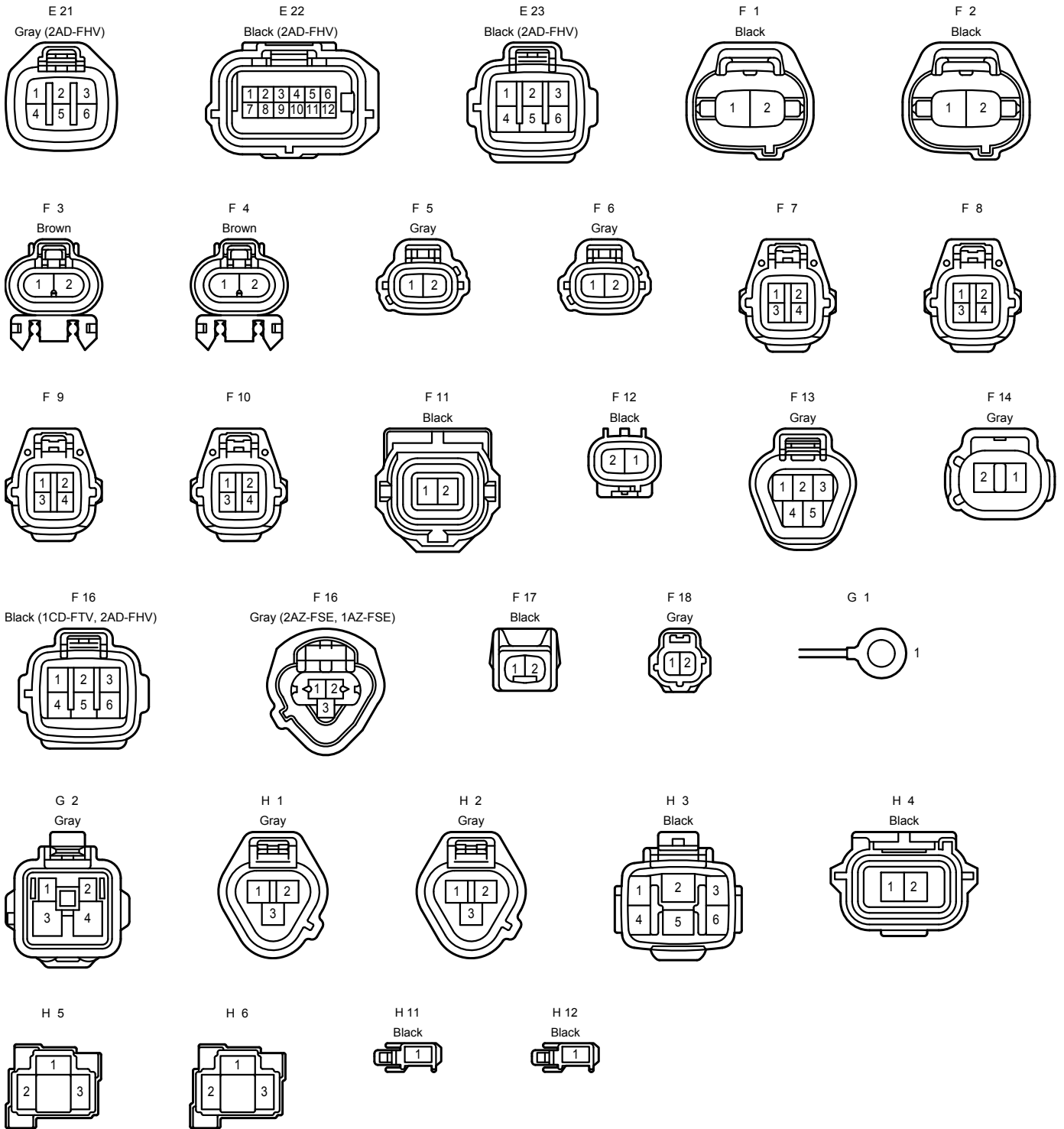
- G 1 Glow Plug
- G 2 Glow Plug Relay

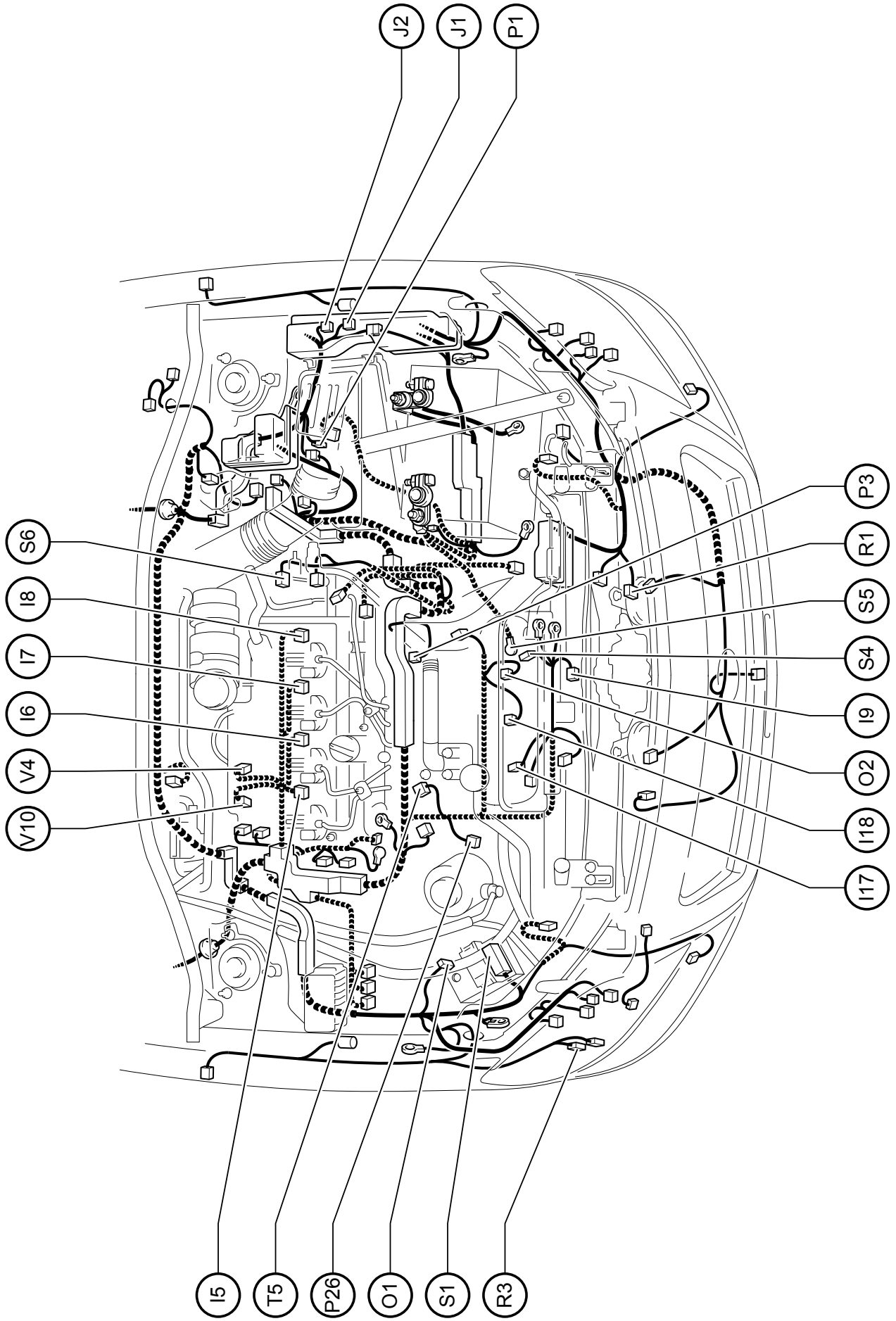
- H 1 Headlight Beam Level Control Actuator LH
- H 2 Headlight Beam Level Control Actuator RH
- H 3 Headlight Cleaner Control Relay
- H 4 Headlight Cleaner Motor
- H 5 Headlight LH (High)
- H 6 Headlight RH (High)
- H 11 Horn LH
- H 12 Horn RH

Position of Parts in Engine Compartment <LHD 2AD-FHV>



Position of Parts in Engine Compartment <LHD 2AD-FHV>





- I 5 Injector No.1 (2AD-FTV)
- I 5 Injector No.1 (2AD-FHV)
- I 5 Injector No.1 (1AZ-FE, 1ZZ-FE, 3ZZ-FE, 1CD-FTV)
- I 5 Injector No.1 (2AZ-FSE, 1AZ-FSE)
- I 6 Injector No.2 (2AD-FTV)
- I 6 Injector No.2 (2AD-FHV)
- I 6 Injector No.2 (1AZ-FE, 1ZZ-FE, 3ZZ-FE, 1CD-FTV)
- I 6 Injector No.2 (2AZ-FSE, 1AZ-FSE)
- I 7 Injector No.3 (2AD-FTV)
- I 7 Injector No.3 (2AD-FHV)
- I 7 Injector No.3 (1AZ-FE, 1ZZ-FE, 3ZZ-FE, 1CD-FTV)
- I 7 Injector No.3 (2AZ-FSE, 1AZ-FSE)
- I 8 Injector No.4 (2AD-FTV)
- I 8 Injector No.4 (2AD-FHV)
- I 8 Injector No.4 (1AZ-FE, 1ZZ-FE, 3ZZ-FE, 1CD-FTV)
- I 8 Injector No.4 (2AZ-FSE, 1AZ-FSE)
- I 9 Intake Air Temp. Sensor
- I 17 Intake Shutter Assembly
- I 18 Intake Shutter Assembly

- J 1 Junction Connector
- J 2 Junction Connector

- O 1 Oil Pressure Sensor
- O 2 Oil Pressure SW

- P 1 Power Heater Assembly
- P 3 Pressure Discharge Valve
- P 26 Power Steering Oil Pressure Sensor

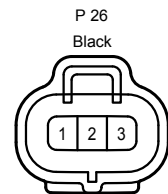
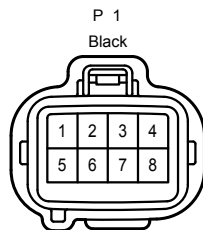
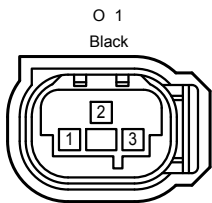
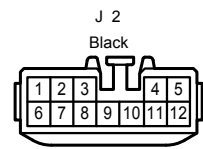
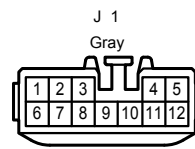
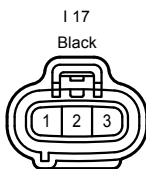
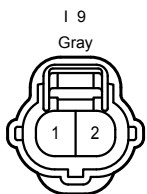
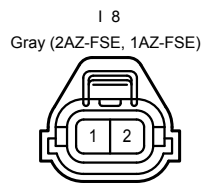
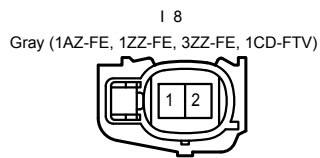
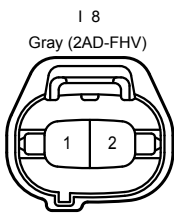
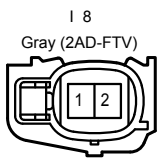
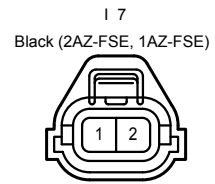
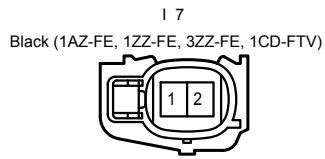
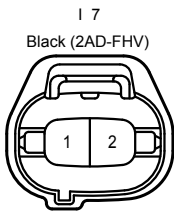
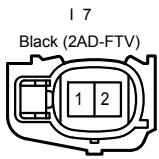
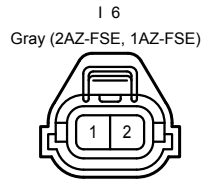
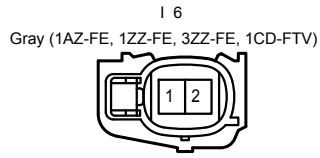
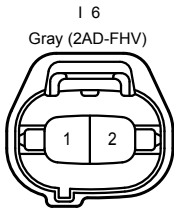
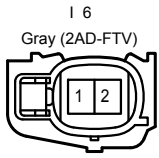
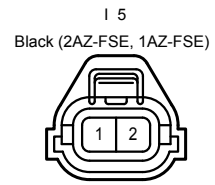
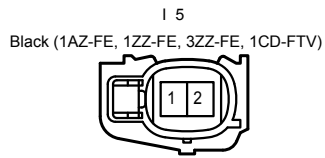
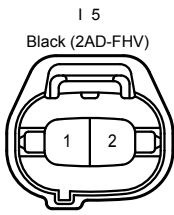
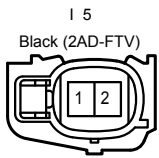
- R 1 Radiator Fan Motor
- R 3 Rear Washer Motor

- S 1 Skid Control ECU with Actuator
- S 4 Starter
- S 5 Starter (2AD-FHV, 2AD-FTV)
- S 5 Starter (2AZ-FSE, 1AZ-FSE, 1AZ-FE)
- S 5 Starter (1ZZ-FE, 3ZZ-FE)
- S 5 Starter (1CD-FTV)
- S 6 Suction Control Valve

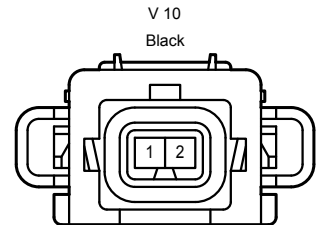
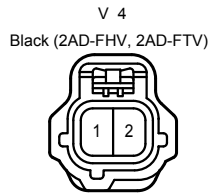
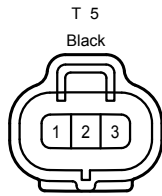
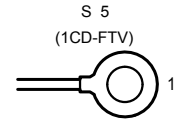
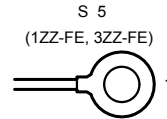
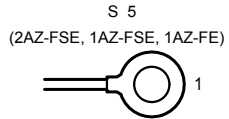
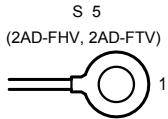
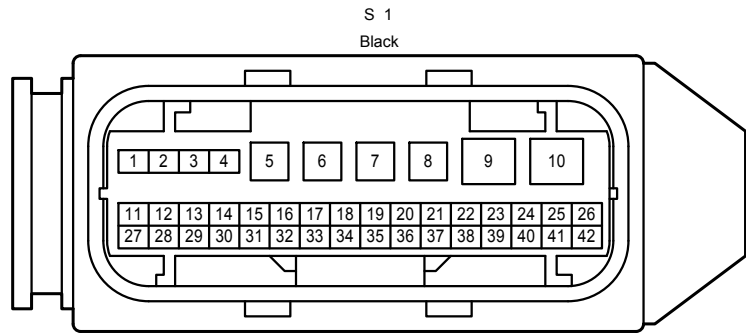
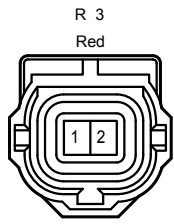
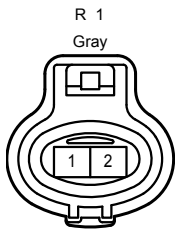
- T 5 Turbo Pressure Sensor

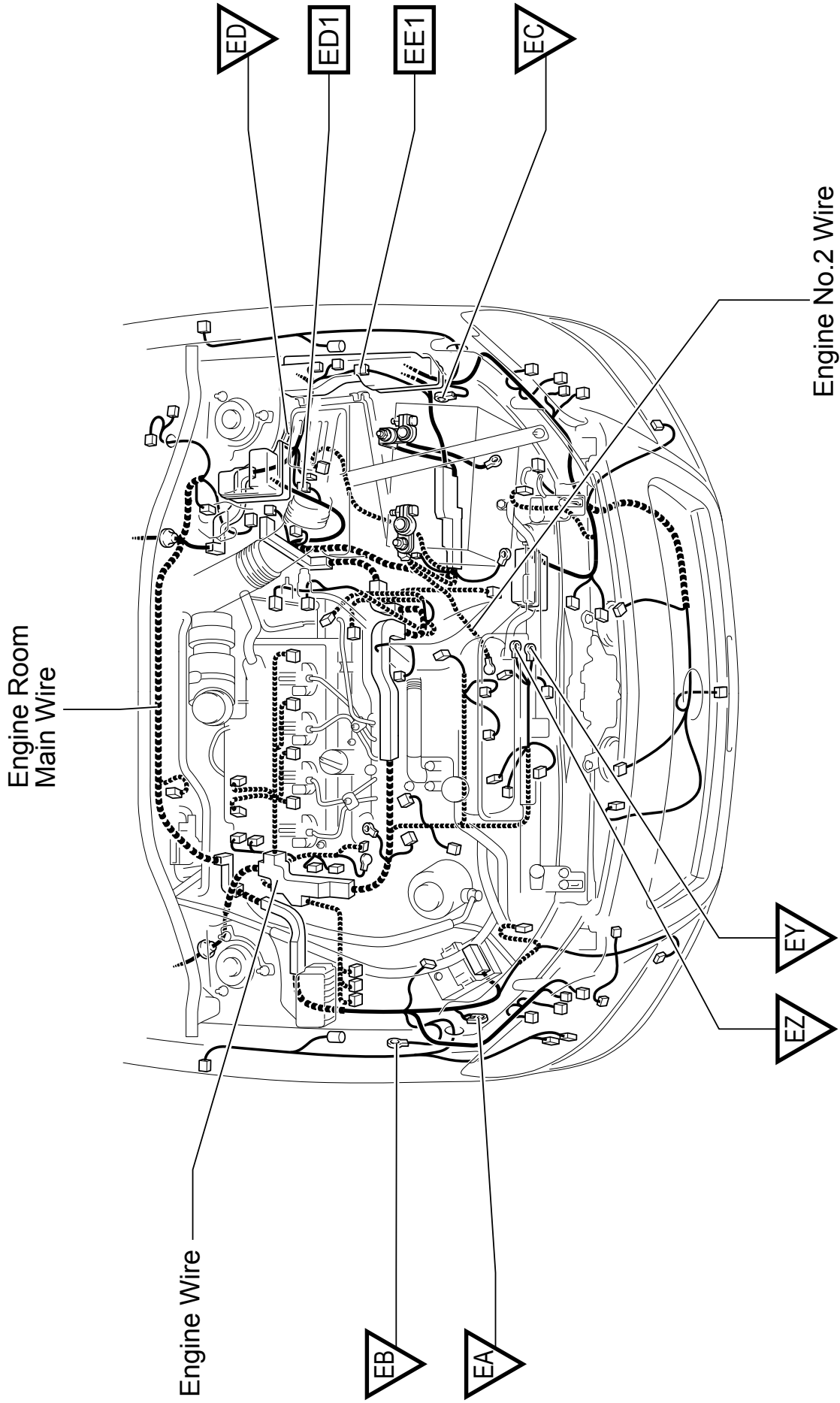
- V 4 VRV (EGR) (2AD-FHV, 2AD-FTV)
- V 4 VRV (EGR) (1CD-FTV)
- V 10 VSV (EGR)

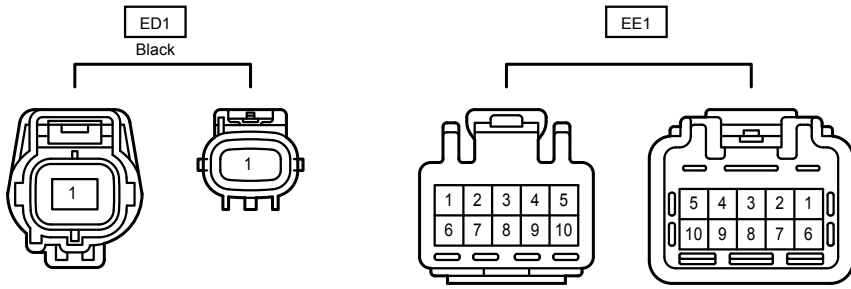
Position of Parts in Engine Compartment <LHD 2AD-FHV>



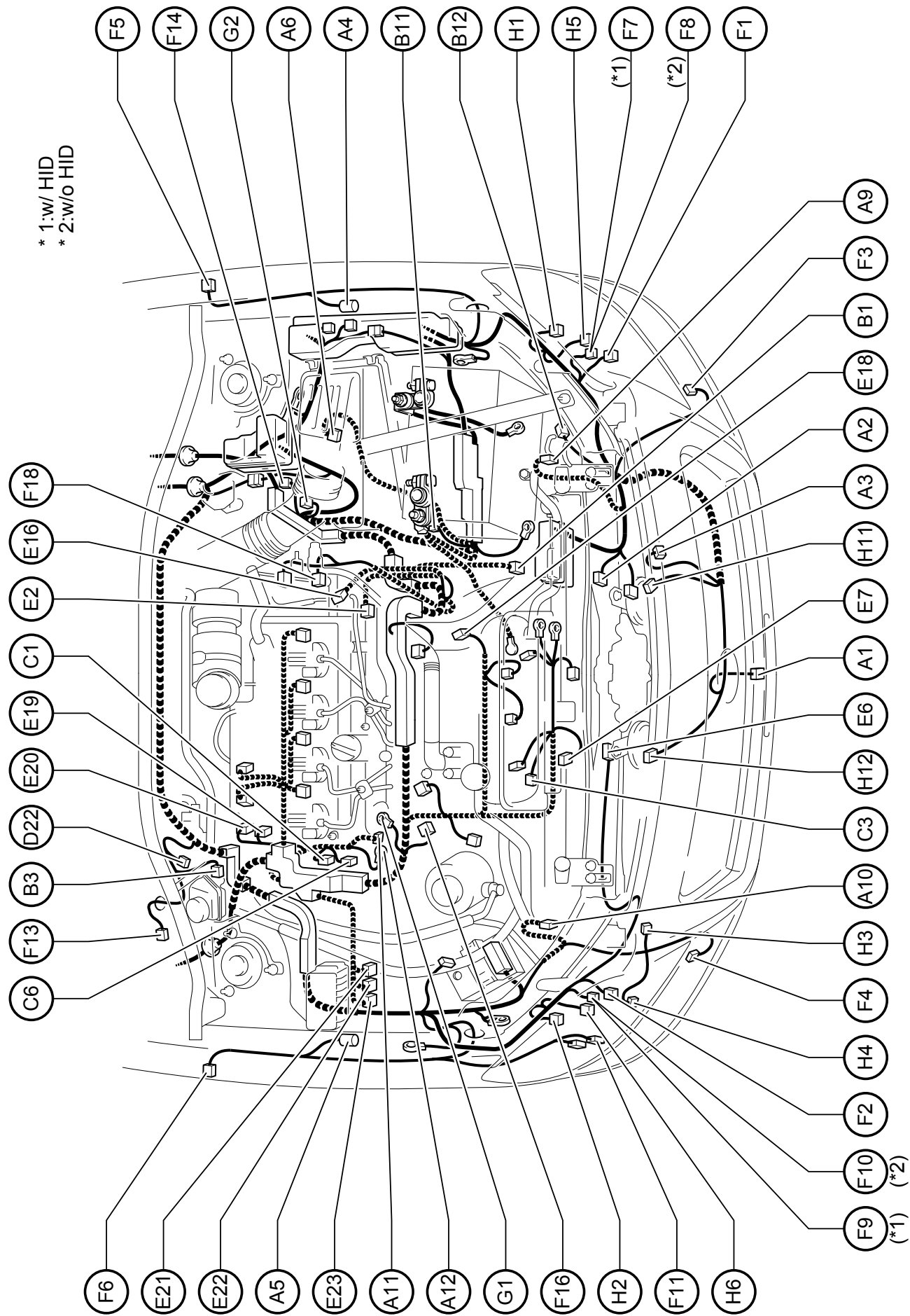
Position of Parts in Engine Compartment <LHD 2AD-FHV>







Position of Parts in Engine Compartment <RHD 2AD-FHV>



- A 1 A/C Ambient Temp. Sensor
- A 2 A/C Condenser Fan Motor
- A 3 A/C Pressure Sensor
- A 4 ABS Speed Sensor Front LH
- A 5 ABS Speed Sensor Front RH
- A 6 Air Flow Meter
- A 9 Airbag Sensor Front LH
- A 10 Airbag Sensor Front RH
- A 11 Alternator
- A 12 Alternator (1CD-FTV)
- A 12 Alternator (Except 1CD-FTV)

- B 1 Back-Up Light SW
- B 3 Brake Fluid Level Warning SW
- B 11 Battery Current Sensor
- B 12 Battery Thermometer Sensor

- C 1 Camshaft Position Sensor
- C 3 Compressor Assembly (2AD-FHV, 2AD-FTV)
- C 3 Compressor Assembly (Except 2AD-FHV, 2AD-FTV)
- C 6 Crankshaft Position Sensor (2AD-FHV, 2AD-FTV)
- C 6 Crankshaft Position Sensor (2AZ-FSE, 1AZ-FSE, 1AZ-FE, 1ZZ-FE, 3ZZ-FE)
- C 6 Crankshaft Position Sensor (1CD-FTV)

- D 22 Differential Pressure Sensor

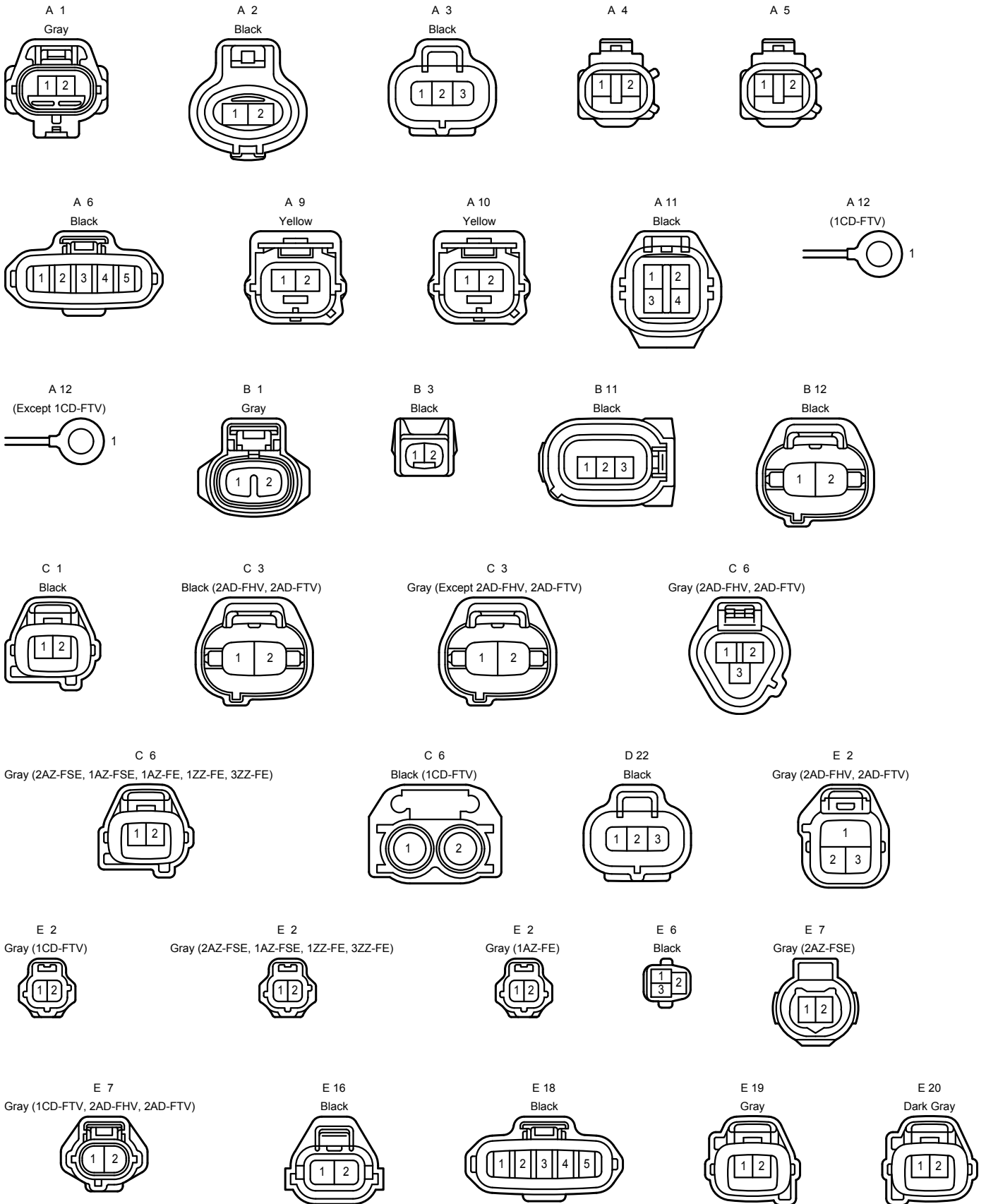
- E 2 EFI Water Temp. Sensor (2AD-FHV, 2AD-FTV)
- E 2 EFI Water Temp. Sensor (1CD-FTV)
- E 2 EFI Water Temp. Sensor (2AZ-FSE, 1AZ-FSE, 1ZZ-FE, 3ZZ-FE)
- E 2 EFI Water Temp. Sensor (1AZ-FE)
- E 6 Engine Hood Courtesy SW
- E 7 Engine Oil Level Sensor (2AZ-FSE)
- E 7 Engine Oil Level Sensor (1CD-FTV, 2AD-FHV, 2AD-FTV)
- E 16 Exhaust Fuel Addition Injector Assembly
- E 18 EGR Valve Position Sensor
- E 19 Exhaust Gas Temperature Sensor (Front)
- E 20 Exhaust Gas Temperature Sensor (Rear)
- E 21 Electronic Driver Unit (2AD-FHV)
- E 22 Electronic Driver Unit (2AD-FHV)
- E 23 Electronic Driver Unit (2AD-FHV)

- F 1 Front Clearance Light LH
- F 2 Front Clearance Light RH
- F 3 Front Fog Light LH
- F 4 Front Fog Light RH
- F 5 Front Side Turn Signal Light LH
- F 6 Front Side Turn Signal Light RH
- F 7 Front Turn Signal Light LH , Headlight Control ECU LH
- F 8 Front Turn Signal Light LH , Headlight LH (Low)
- F 9 Front Turn Signal Light RH , Headlight Control ECU RH
- F 10 Front Turn Signal Light RH , Headlight RH (Low)
- F 11 Front Washer Motor
- F 13 Front Wiper Motor
- F 14 Fuel Filter Warning SW
- F 16 Fuel Pressure Sensor (1CD-FTV, 2AD-FHV)
- F 16 Fuel Pressure Sensor (2AZ-FSE, 1AZ-FSE)
- F 18 Fuel Temp. Sensor

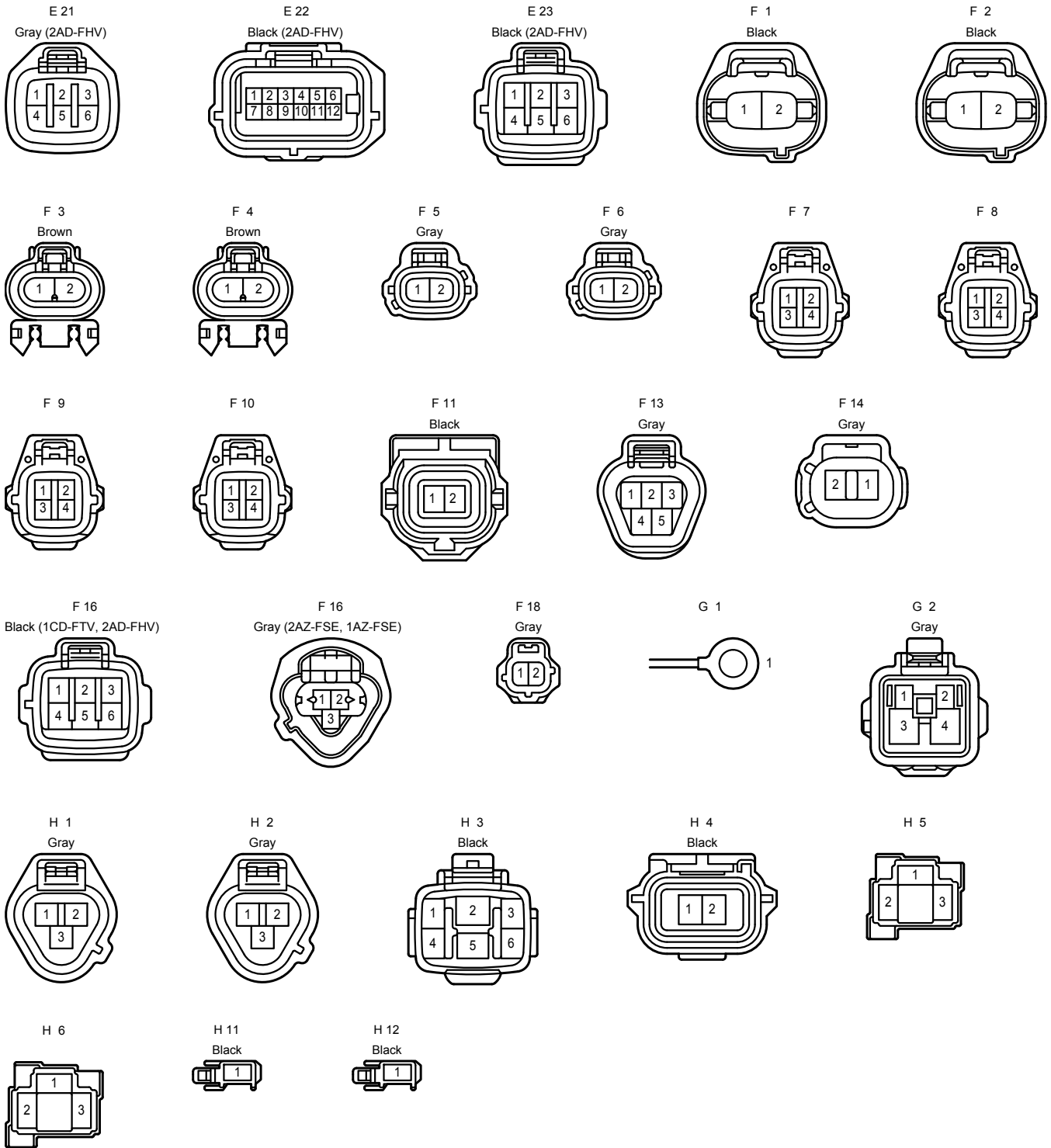
- G 1 Glow Plug

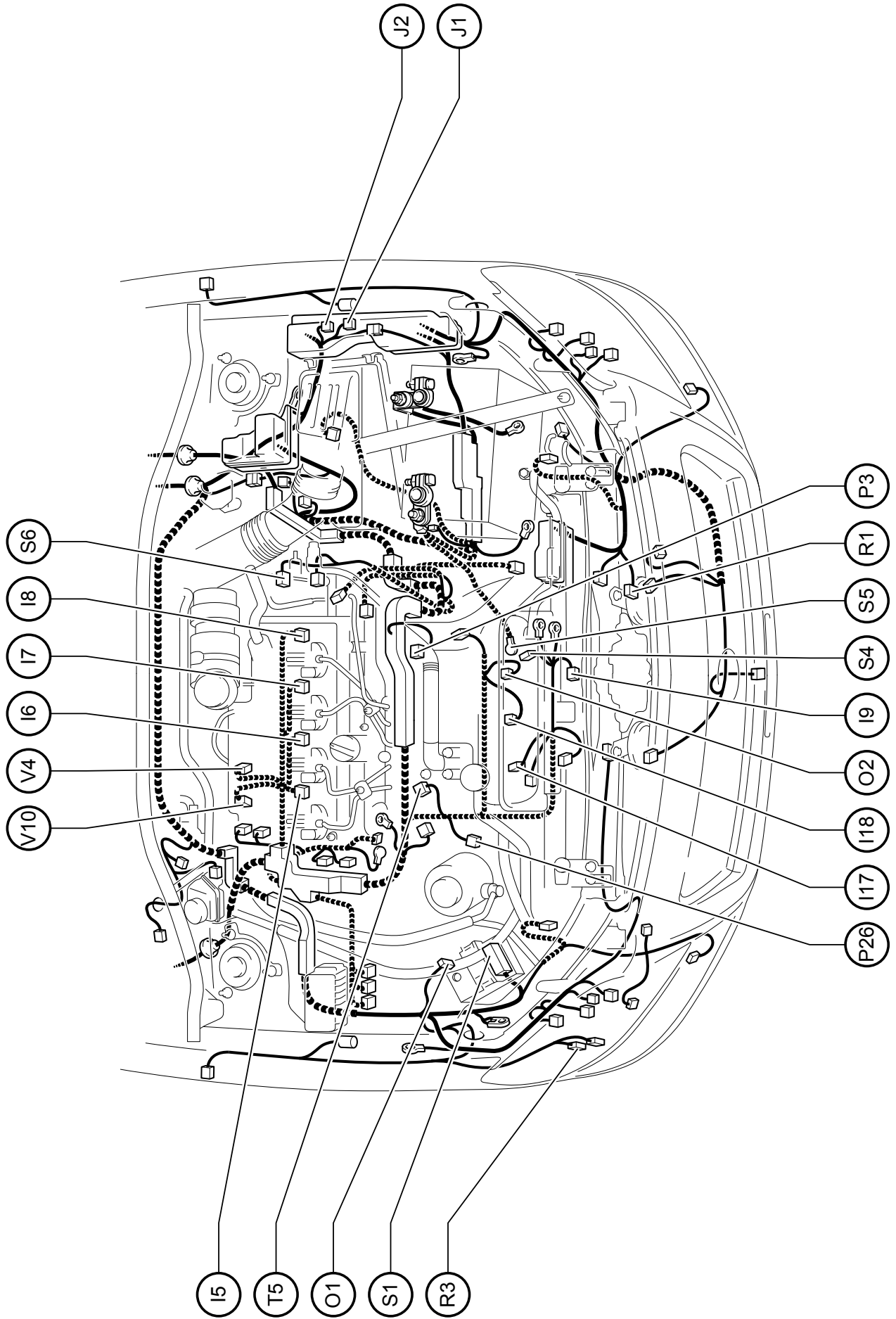
- G 2 Glow Plug Relay
- H 1 Headlight Beam Level Control Actuator LH
- H 2 Headlight Beam Level Control Actuator RH
- H 3 Headlight Cleaner Control Relay
- H 4 Headlight Cleaner Motor
- H 5 Headlight LH (High)
- H 6 Headlight RH (High)
- H 11 Horn LH
- H 12 Horn RH

Position of Parts in Engine Compartment <RHD 2AD-FHV>



Position of Parts in Engine Compartment <RHD 2AD-FHV>





- I 5 Injector No.1 (2AD-FTV)
- I 5 Injector No.1 (2AD-FHV)
- I 5 Injector No.1 (1AZ-FE, 1ZZ-FE, 3ZZ-FE, 1CD-FTV)
- I 5 Injector No.1 (2AZ-FSE, 1AZ-FSE)
- I 6 Injector No.2 (2AD-FTV)
- I 6 Injector No.2 (2AD-FHV)
- I 6 Injector No.2 (1AZ-FE, 1ZZ-FE, 3ZZ-FE, 1CD-FTV)
- I 6 Injector No.2 (2AZ-FSE, 1AZ-FSE)
- I 7 Injector No.3 (2AD-FTV)
- I 7 Injector No.3 (2AD-FHV)
- I 7 Injector No.3 (1AZ-FE, 1ZZ-FE, 3ZZ-FE, 1CD-FTV)
- I 7 Injector No.3 (2AZ-FSE, 1AZ-FSE)
- I 8 Injector No.4 (2AD-FTV)
- I 8 Injector No.4 (2AD-FHV)
- I 8 Injector No.4 (1AZ-FE, 1ZZ-FE, 3ZZ-FE, 1CD-FTV)
- I 8 Injector No.4 (2AZ-FSE, 1AZ-FSE)
- I 9 Intake Air Temp. Sensor
- I 17 Intake Shutter Assembly
- I 18 Intake Shutter Assembly

- J 1 Junction Connector
- J 2 Junction Connector

- O 1 Oil Pressure Sensor
- O 2 Oil Pressure SW

- P 3 Pressure Discharge Valve
- P 26 Power Steering Oil Pressure Sensor

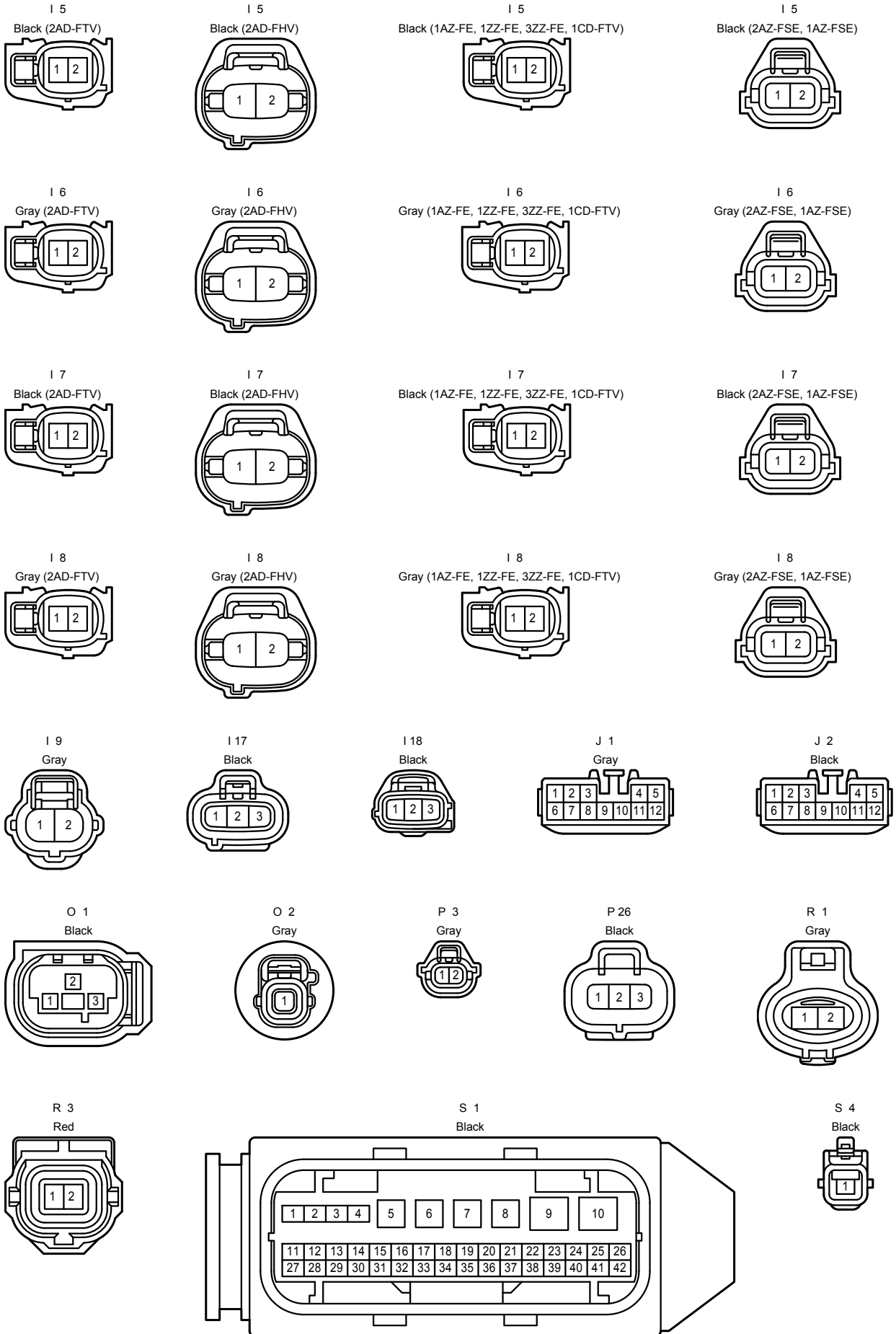
- R 1 Radiator Fan Motor
- R 3 Rear Washer Motor

- S 1 Skid Control ECU with Actuator
- S 4 Starter
- S 5 Starter (2AD-FHV, 2AD-FTV)
- S 5 Starter (2AZ-FSE, 1AZ-FSE, 1AZ-FE)
- S 5 Starter (1ZZ-FE, 3ZZ-FE)
- S 5 Starter (1CD-FTV)
- S 6 Suction Control Valve

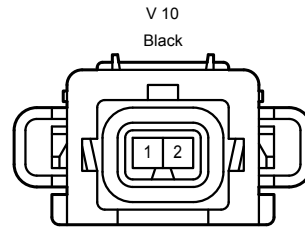
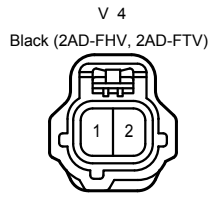
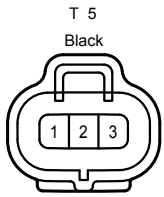
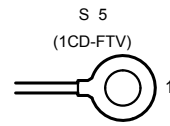
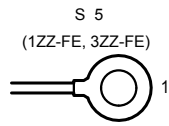
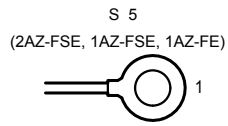
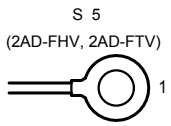
- T 5 Turbo Pressure Sensor

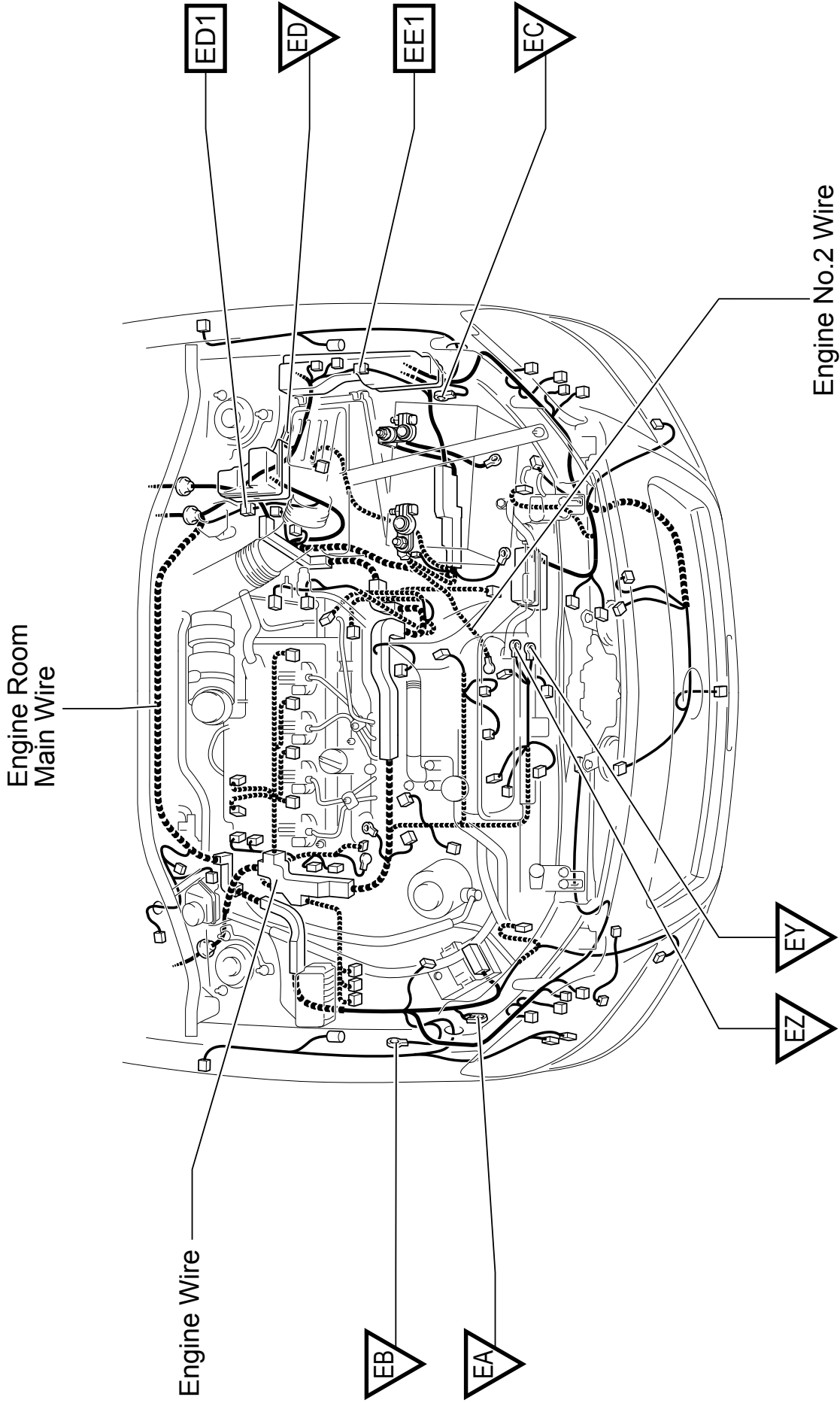
- V 4 VRV (EGR) (2AD-FHV, 2AD-FTV)
- V 4 VRV (EGR) (1CD-FTV)
- V 10 VSV (EGR)

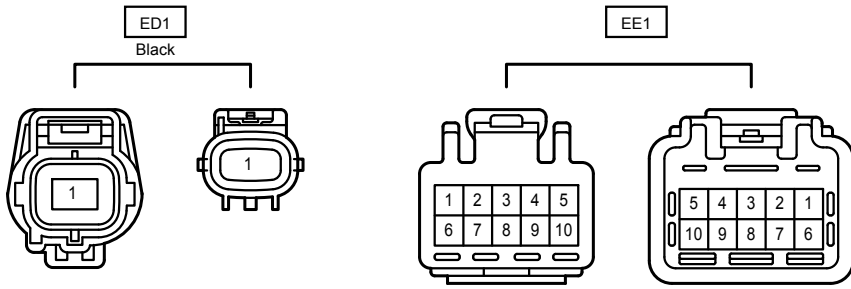
Position of Parts in Engine Compartment <RHD 2AD-FHV>



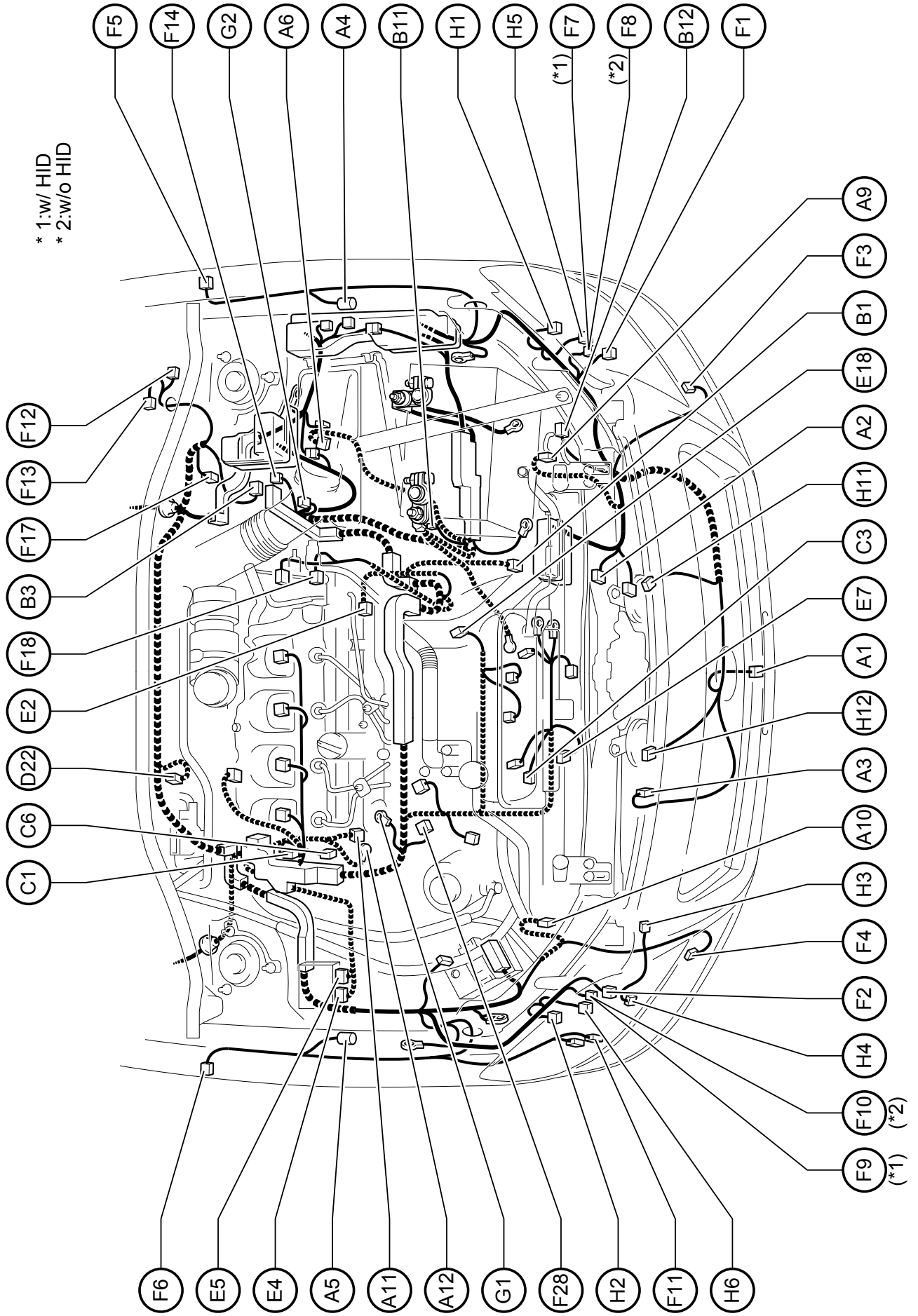
Position of Parts in Engine Compartment <RHD 2AD-FHV>







Position of Parts in Engine Compartment <LHD 2AD-FTV>



- A 1 A/C Ambient Temp. Sensor
- A 2 A/C Condenser Fan Motor
- A 3 A/C Pressure Sensor
- A 4 ABS Speed Sensor Front LH
- A 5 ABS Speed Sensor Front RH
- A 6 Air Flow Meter
- A 9 Airbag Sensor Front LH
- A 10 Airbag Sensor Front RH
- A 11 Alternator
- A 12 Alternator (1CD-FTV)
- A 12 Alternator (Except 1CD-FTV)

- B 1 Back-Up Light SW
- B 3 Brake Fluid Level Warning SW
- B 11 Battery Current Sensor
- B 12 Battery Thermometer Sensor

- C 1 Camshaft Position Sensor
- C 3 Compressor Assembly (2AD-FHV, 2AD-FTV)
- C 3 Compressor Assembly (Except 2AD-FHV, 2AD-FTV)
- C 6 Crankshaft Position Sensor (2AD-FHV, 2AD-FTV)
- C 6 Crankshaft Position Sensor (2AZ-FSE, 1AZ-FSE, 1AZ-FE, 1ZZ-FE, 3ZZ-FE)
- C 6 Crankshaft Position Sensor (1CD-FTV)

- D 22 Differential Pressure Sensor

- E 2 EFI Water Temp. Sensor (2AD-FHV, 2AD-FTV)
- E 2 EFI Water Temp. Sensor (1CD-FTV)
- E 2 EFI Water Temp. Sensor (2AZ-FSE, 1AZ-FSE, 1ZZ-FE, 3ZZ-FE)
- E 2 EFI Water Temp. Sensor (1AZ-FE)
- E 4 Electronic Driver Unit
- E 5 Electronic Driver Unit (1CD-FTV, 2AD-FTV)
- E 5 Electronic Driver Unit (2AZ-FSE, 1AZ-FSE)
- E 7 Engine Oil Level Sensor (2AZ-FSE)
- E 7 Engine Oil Level Sensor (1CD-FTV, 2AD-FHV, 2AD-FTV)
- E 18 EGR Valve Position Sensor

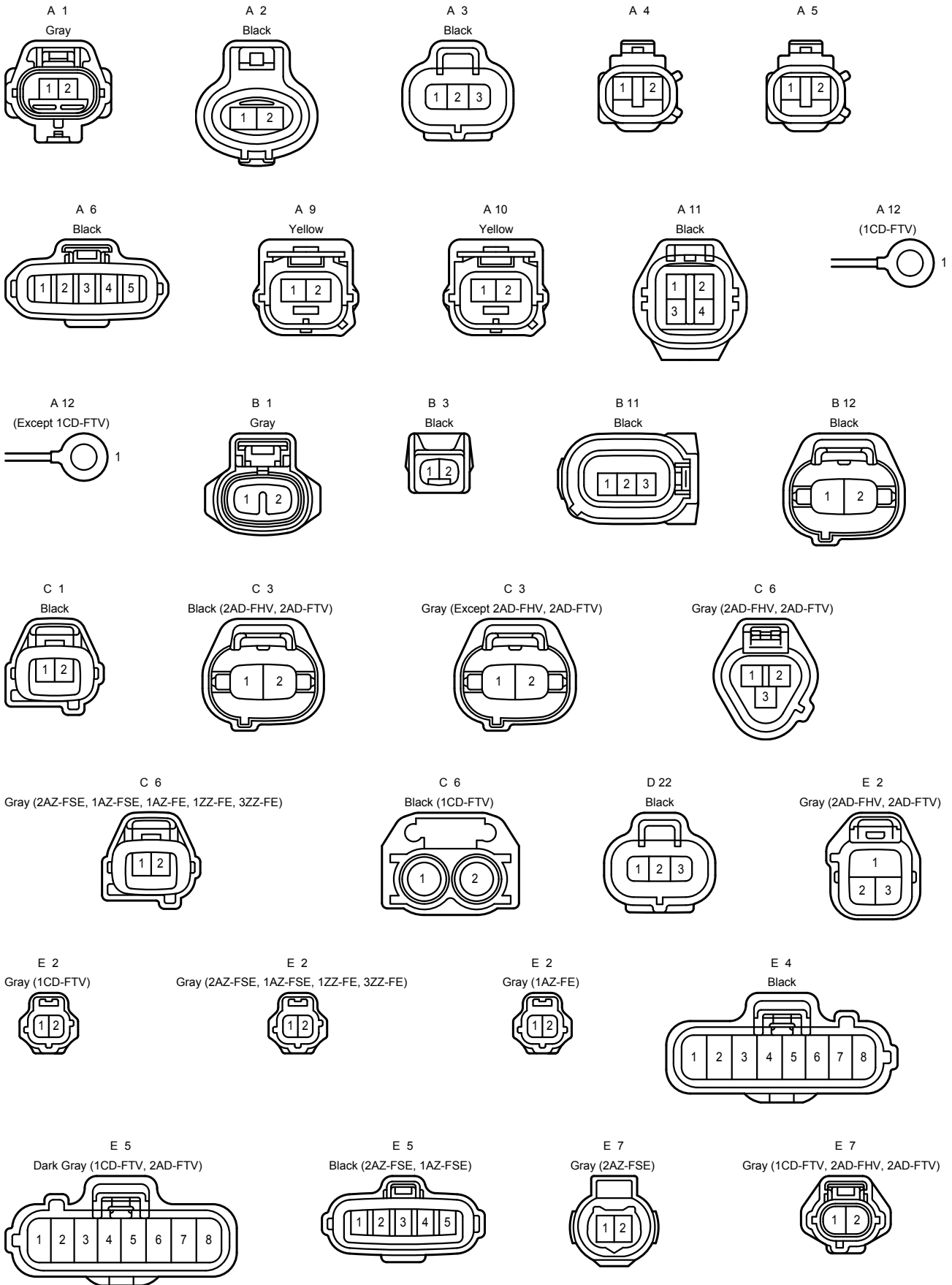
- F 1 Front Clearance Light LH
- F 2 Front Clearance Light RH
- F 3 Front Fog Light LH
- F 4 Front Fog Light RH
- F 5 Front Side Turn Signal Light LH
- F 6 Front Side Turn Signal Light RH
- F 7 Front Turn Signal Light LH , Headlight Control ECU LH
- F 8 Front Turn Signal Light LH , Headlight LH (Low)
- F 9 Front Turn Signal Light RH , Headlight Control ECU RH
- F 10 Front Turn Signal Light RH , Headlight RH (Low)
- F 11 Front Washer Motor
- F 12 Front Window Deicer
- F 13 Front Wiper Motor
- F 14 Fuel Filter Warning SW
- F 17 Fuel Pump
- F 18 Fuel Temp. Sensor
- F 28 Fuel Pressure Sensor

- G 1 Glow Plug
- G 2 Glow Plug Relay

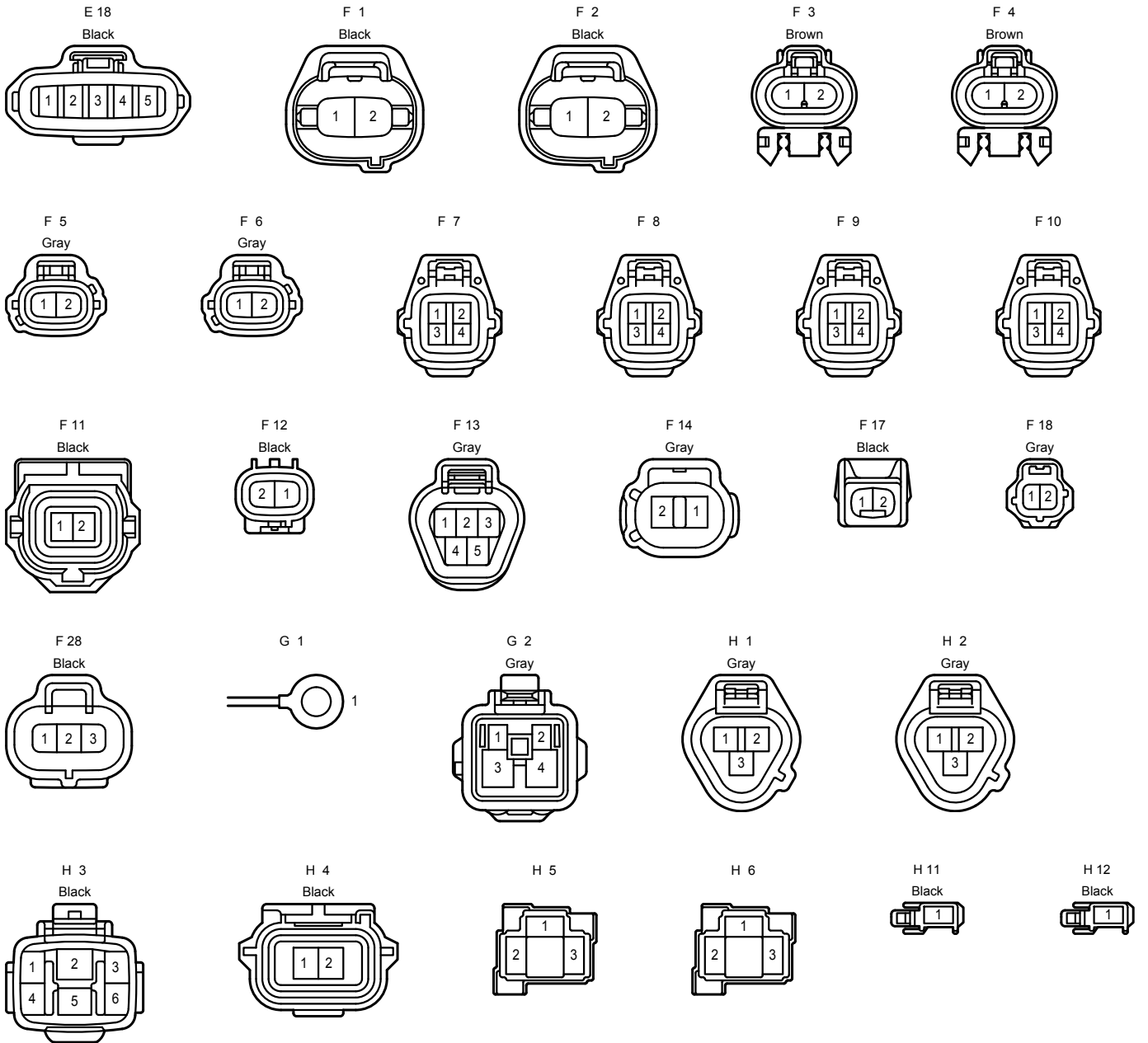
- H 1 Headlight Beam Level Control Actuator LH

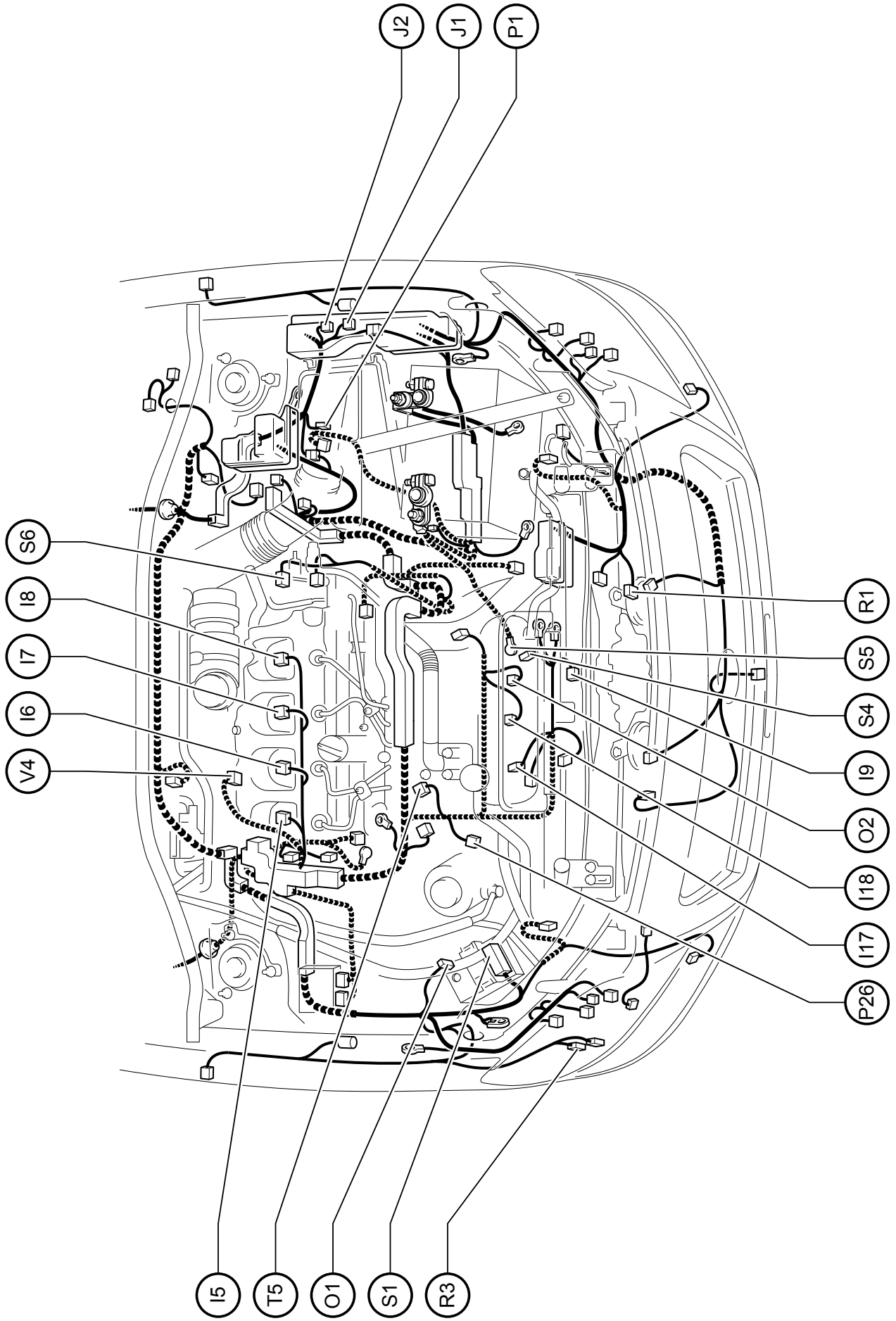
- H 2 Headlight Beam Level Control Actuator RH
- H 3 Headlight Cleaner Control Relay
- H 4 Headlight Cleaner Motor
- H 5 Headlight LH (High)
- H 6 Headlight RH (High)
- H 11 Horn LH
- H 12 Horn RH

Position of Parts in Engine Compartment <LHD 2AD-FTV>



Position of Parts in Engine Compartment <LHD 2AD-FTV>





- I 5 Injector No.1 (2AD-FTV)
- I 5 Injector No.1 (2AD-FHV)
- I 5 Injector No.1 (1AZ-FE, 1ZZ-FE, 3ZZ-FE, 1CD-FTV)
- I 5 Injector No.1 (2AZ-FSE, 1AZ-FSE)
- I 6 Injector No.2 (2AD-FTV)
- I 6 Injector No.2 (2AD-FHV)
- I 6 Injector No.2 (1AZ-FE, 1ZZ-FE, 3ZZ-FE, 1CD-FTV)
- I 6 Injector No.2 (2AZ-FSE, 1AZ-FSE)
- I 7 Injector No.3 (2AD-FTV)
- I 7 Injector No.3 (2AD-FHV)
- I 7 Injector No.3 (1AZ-FE, 1ZZ-FE, 3ZZ-FE, 1CD-FTV)
- I 7 Injector No.3 (2AZ-FSE, 1AZ-FSE)
- I 8 Injector No.4 (2AD-FTV)
- I 8 Injector No.4 (2AD-FHV)
- I 8 Injector No.4 (1AZ-FE, 1ZZ-FE, 3ZZ-FE, 1CD-FTV)
- I 8 Injector No.4 (2AZ-FSE, 1AZ-FSE)
- I 9 Intake Air Temp. Sensor
- I 17 Intake Shutter Assembly
- I 18 Intake Shutter Assembly

- J 1 Junction Connector
- J 2 Junction Connector

- O 1 Oil Pressure Sensor
- O 2 Oil Pressure SW

- P 1 Power Heater Assembly
- P 26 Power Steering Oil Pressure Sensor

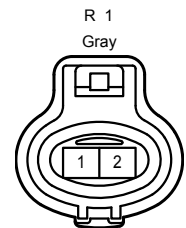
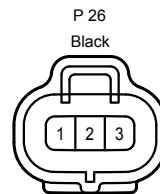
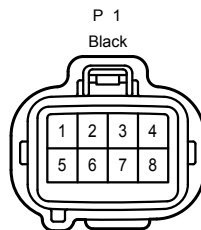
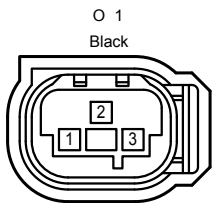
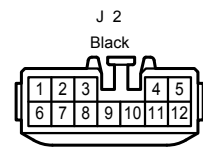
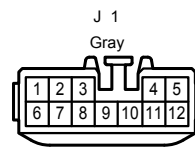
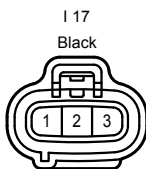
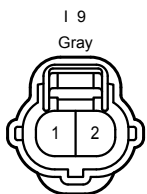
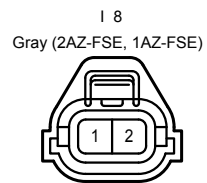
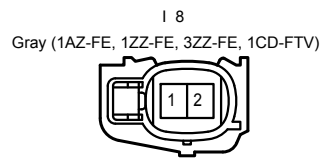
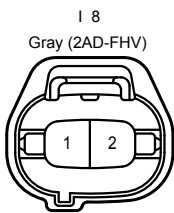
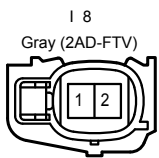
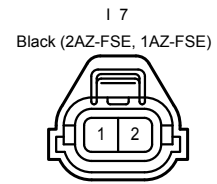
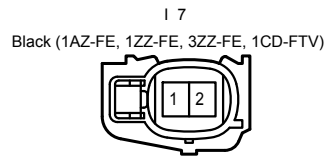
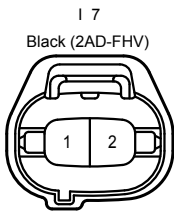
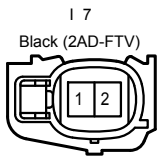
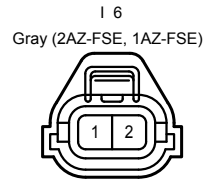
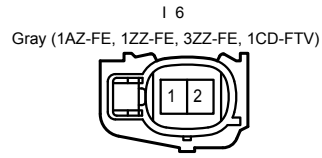
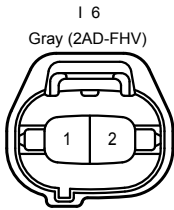
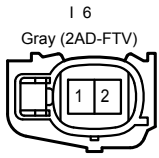
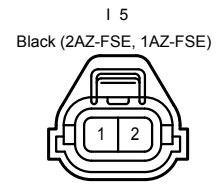
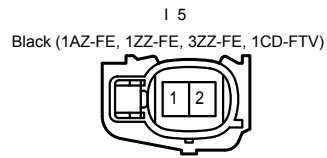
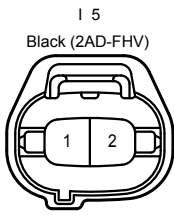
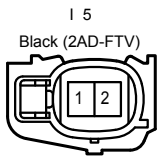
- R 1 Radiator Fan Motor
- R 3 Rear Washer Motor

- S 1 Skid Control ECU with Actuator
- S 4 Starter
- S 5 Starter (2AD-FHV, 2AD-FTV)
- S 5 Starter (2AZ-FSE, 1AZ-FSE, 1AZ-FE)
- S 5 Starter (1ZZ-FE, 3ZZ-FE)
- S 5 Starter (1CD-FTV)
- S 6 Suction Control Valve

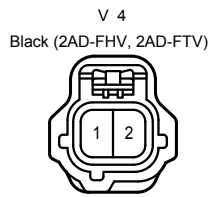
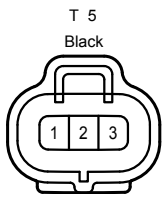
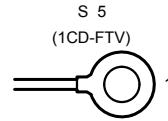
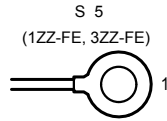
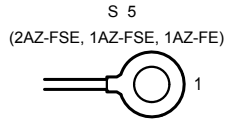
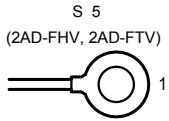
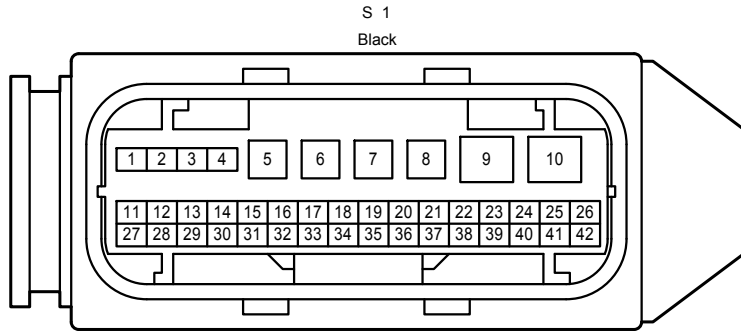
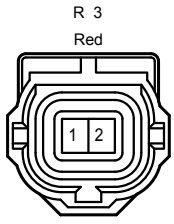
- T 5 Turbo Pressure Sensor

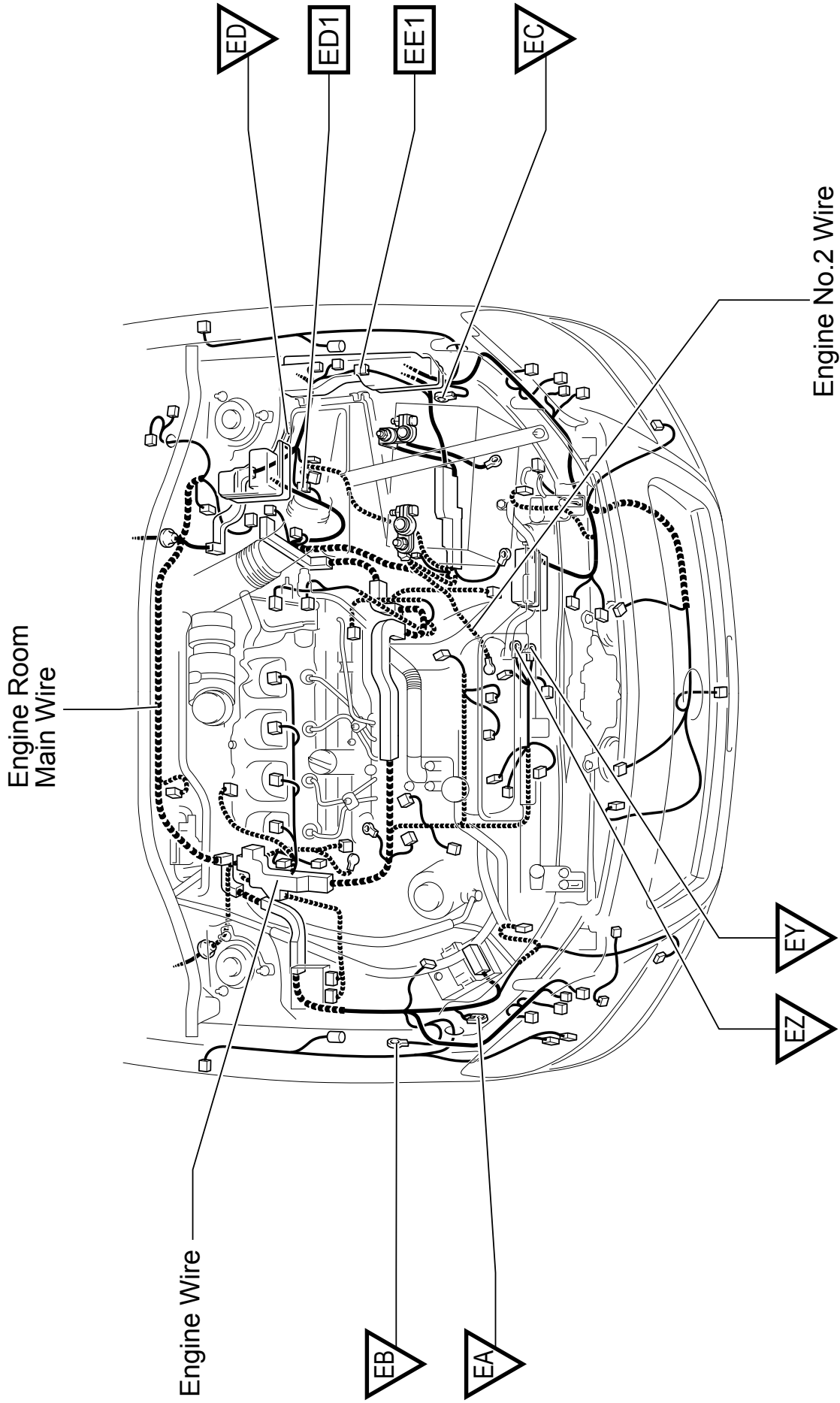
- V 4 VRV (EGR) (2AD-FHV, 2AD-FTV)
- V 4 VRV (EGR) (1CD-FTV)

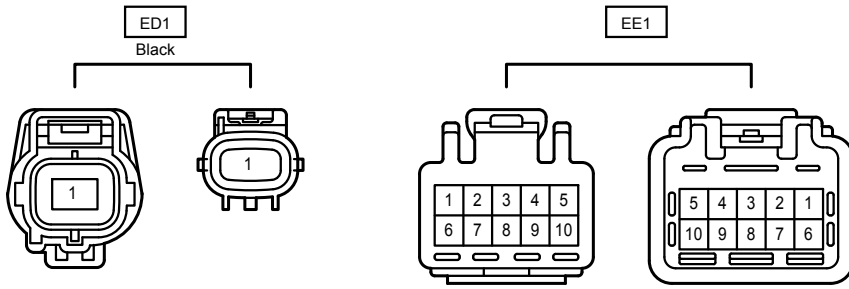
Position of Parts in Engine Compartment <LHD 2AD-FTV>



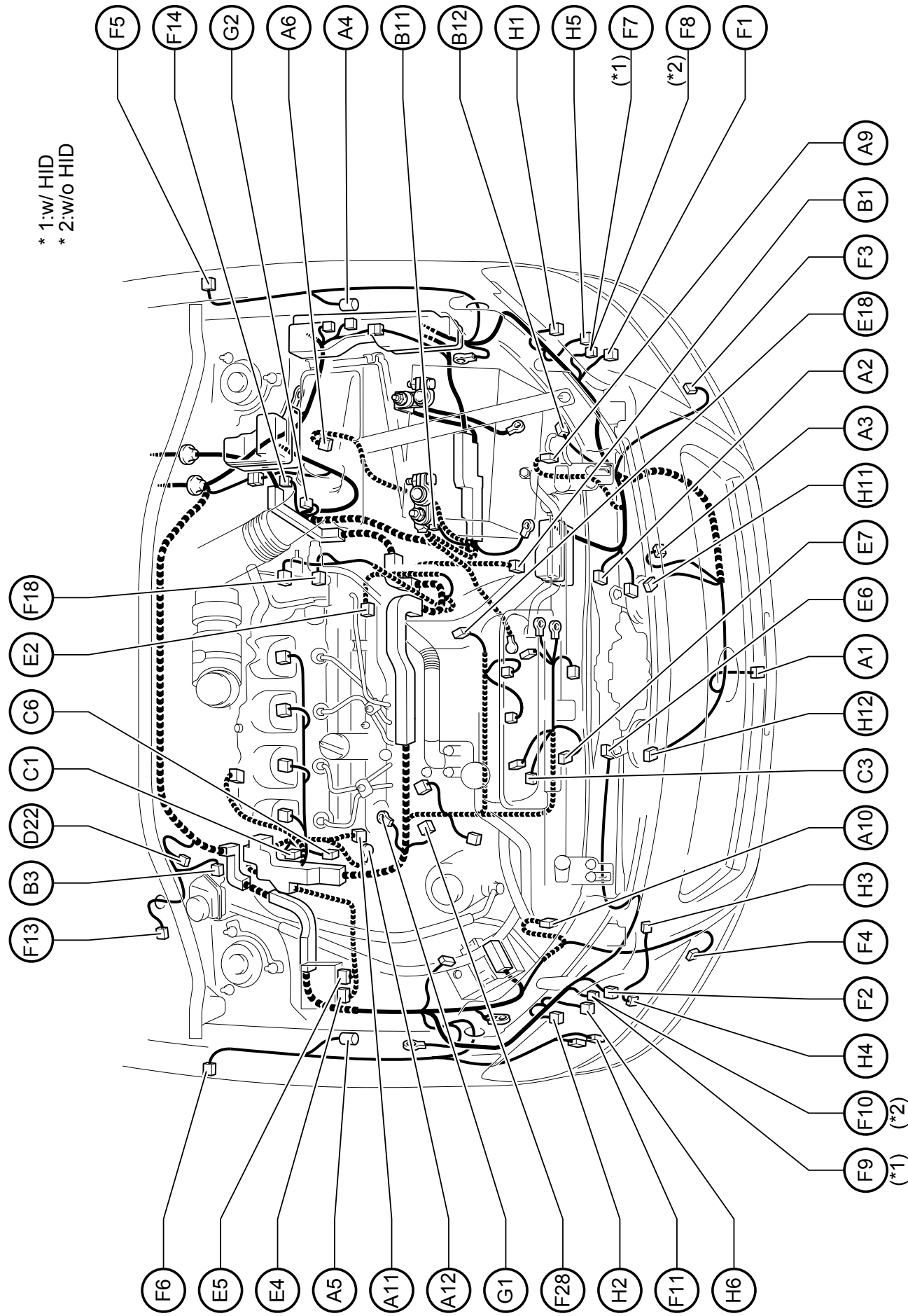
Position of Parts in Engine Compartment <LHD 2AD-FTV>







Position of Parts in Engine Compartment <RHD 2AD-FTV>



- A 1 A/C Ambient Temp. Sensor
- A 2 A/C Condenser Fan Motor
- A 3 A/C Pressure Sensor
- A 4 ABS Speed Sensor Front LH
- A 5 ABS Speed Sensor Front RH
- A 6 Air Flow Meter
- A 9 Airbag Sensor Front LH
- A 10 Airbag Sensor Front RH
- A 11 Alternator
- A 12 Alternator (1CD-FTV)
- A 12 Alternator (Except 1CD-FTV)

- B 1 Back-Up Light SW
- B 3 Brake Fluid Level Warning SW
- B 11 Battery Current Sensor
- B 12 Battery Thermometer Sensor

- C 1 Camshaft Position Sensor
- C 3 Compressor Assembly (2AD-FHV, 2AD-FTV)
- C 3 Compressor Assembly (Except 2AD-FHV, 2AD-FTV)
- C 6 Crankshaft Position Sensor (2AD-FHV, 2AD-FTV)
- C 6 Crankshaft Position Sensor (2AZ-FSE, 1AZ-FSE, 1AZ-FE, 1ZZ-FE, 3ZZ-FE)
- C 6 Crankshaft Position Sensor (1CD-FTV)

- D 22 Differential Pressure Sensor

- E 2 EFI Water Temp. Sensor (2AD-FHV, 2AD-FTV)
- E 2 EFI Water Temp. Sensor (1CD-FTV)
- E 2 EFI Water Temp. Sensor (2AZ-FSE, 1AZ-FSE, 1ZZ-FE, 3ZZ-FE)
- E 2 EFI Water Temp. Sensor (1AZ-FE)
- E 4 Electronic Driver Unit
- E 5 Electronic Driver Unit (1CD-FTV, 2AD-FTV)
- E 5 Electronic Driver Unit (2AZ-FSE, 1AZ-FSE)
- E 6 Engine Hood Courtesy SW
- E 7 Engine Oil Level Sensor (2AZ-FSE)
- E 7 Engine Oil Level Sensor (1CD-FTV, 2AD-FHV, 2AD-FTV)
- E 18 EGR Valve Position Sensor

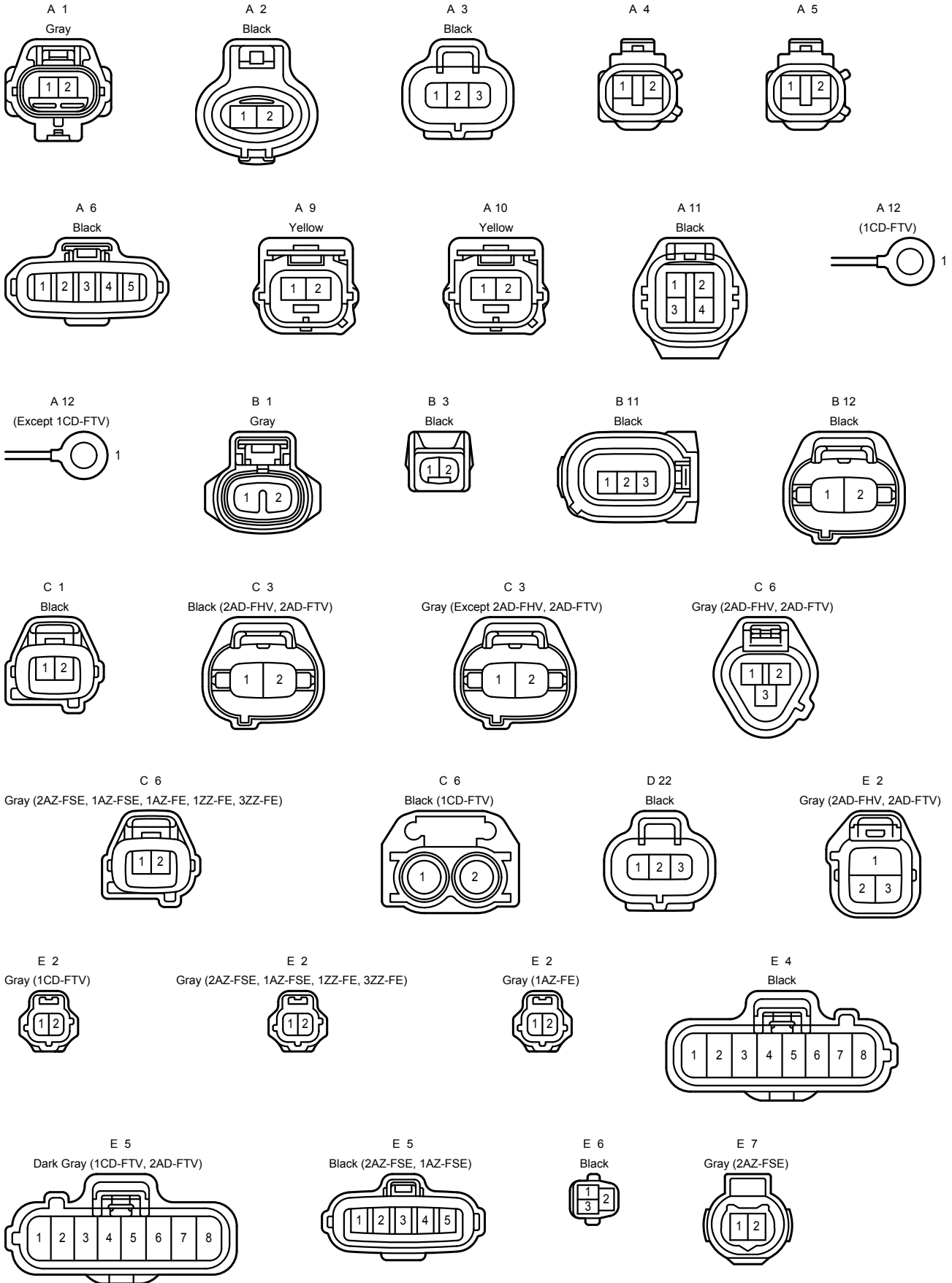
- F 1 Front Clearance Light LH
- F 2 Front Clearance Light RH
- F 3 Front Fog Light LH
- F 4 Front Fog Light RH
- F 5 Front Side Turn Signal Light LH
- F 6 Front Side Turn Signal Light RH
- F 7 Front Turn Signal Light LH , Headlight Control ECU LH
- F 8 Front Turn Signal Light LH , Headlight LH (Low)
- F 9 Front Turn Signal Light RH , Headlight Control ECU RH
- F 10 Front Turn Signal Light RH , Headlight RH (Low)
- F 11 Front Washer Motor
- F 13 Front Wiper Motor
- F 14 Fuel Filter Warning SW
- F 18 Fuel Temp. Sensor
- F 28 Fuel Pressure Sensor

- G 1 Glow Plug
- G 2 Glow Plug Relay

- H 1 Headlight Beam Level Control Actuator LH
- H 2 Headlight Beam Level Control Actuator RH

- H 3 Headlight Cleaner Control Relay
- H 4 Headlight Cleaner Motor
- H 5 Headlight LH (High)
- H 6 Headlight RH (High)
- H 11 Horn LH
- H 12 Horn RH

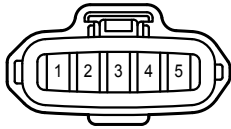
Position of Parts in Engine Compartment <RHD 2AD-FTV>



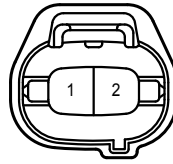
E 7
Gray (1CD-FTV, 2AD-FHV, 2AD-FTV)



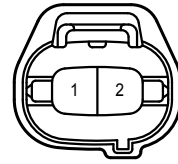
E 18
Black



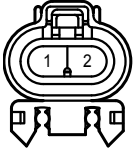
F 1
Black



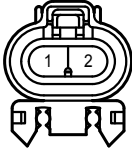
F 2
Black



F 3
Brown



F 4
Brown



F 5
Gray



F 6
Gray



F 7



F 8



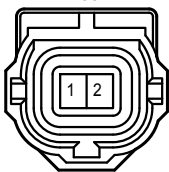
F 9



F 10



F 11
Black



F 13
Gray



F 14
Gray



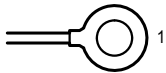
F 18
Gray



F 28
Black



G 1



G 2
Gray



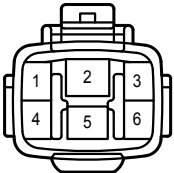
H 1
Gray



H 2
Gray



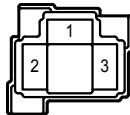
H 3
Black



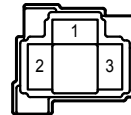
H 4
Black



H 5



H 6

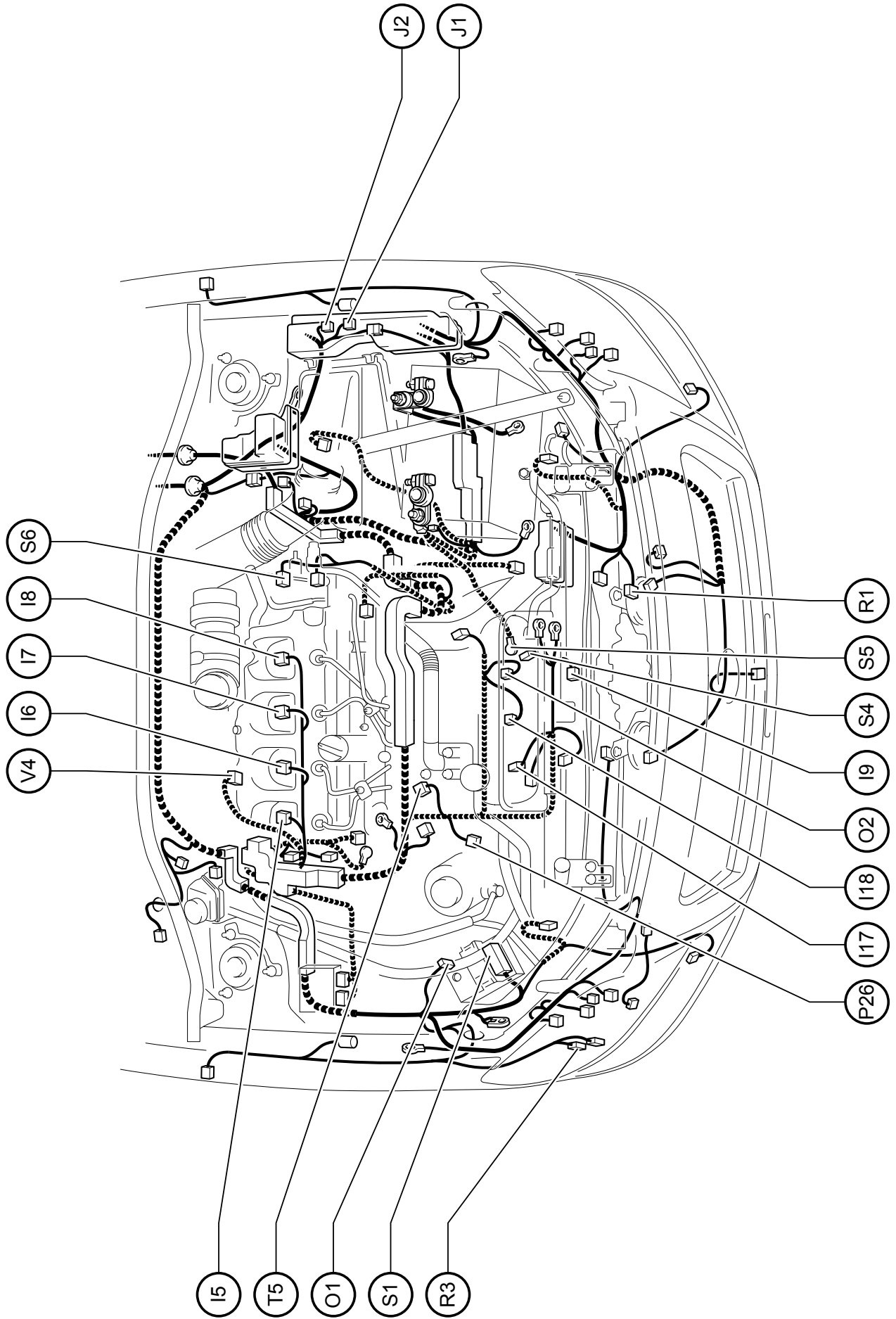


H 11
Black



H 12
Black





- I 5 Injector No.1 (2AD-FTV)
- I 5 Injector No.1 (2AD-FHV)
- I 5 Injector No.1 (1AZ-FE, 1ZZ-FE, 3ZZ-FE, 1CD-FTV)
- I 5 Injector No.1 (2AZ-FSE, 1AZ-FSE)
- I 6 Injector No.2 (2AD-FTV)
- I 6 Injector No.2 (2AD-FHV)
- I 6 Injector No.2 (1AZ-FE, 1ZZ-FE, 3ZZ-FE, 1CD-FTV)
- I 6 Injector No.2 (2AZ-FSE, 1AZ-FSE)
- I 7 Injector No.3 (2AD-FTV)
- I 7 Injector No.3 (2AD-FHV)
- I 7 Injector No.3 (1AZ-FE, 1ZZ-FE, 3ZZ-FE, 1CD-FTV)
- I 7 Injector No.3 (2AZ-FSE, 1AZ-FSE)
- I 8 Injector No.4 (2AD-FTV)
- I 8 Injector No.4 (2AD-FHV)
- I 8 Injector No.4 (1AZ-FE, 1ZZ-FE, 3ZZ-FE, 1CD-FTV)
- I 8 Injector No.4 (2AZ-FSE, 1AZ-FSE)
- I 9 Intake Air Temp. Sensor
- I 17 Intake Shutter Assembly
- I 18 Intake Shutter Assembly

- J 1 Junction Connector
- J 2 Junction Connector

- O 1 Oil Pressure Sensor
- O 2 Oil Pressure SW

- P 26 Power Steering Oil Pressure Sensor

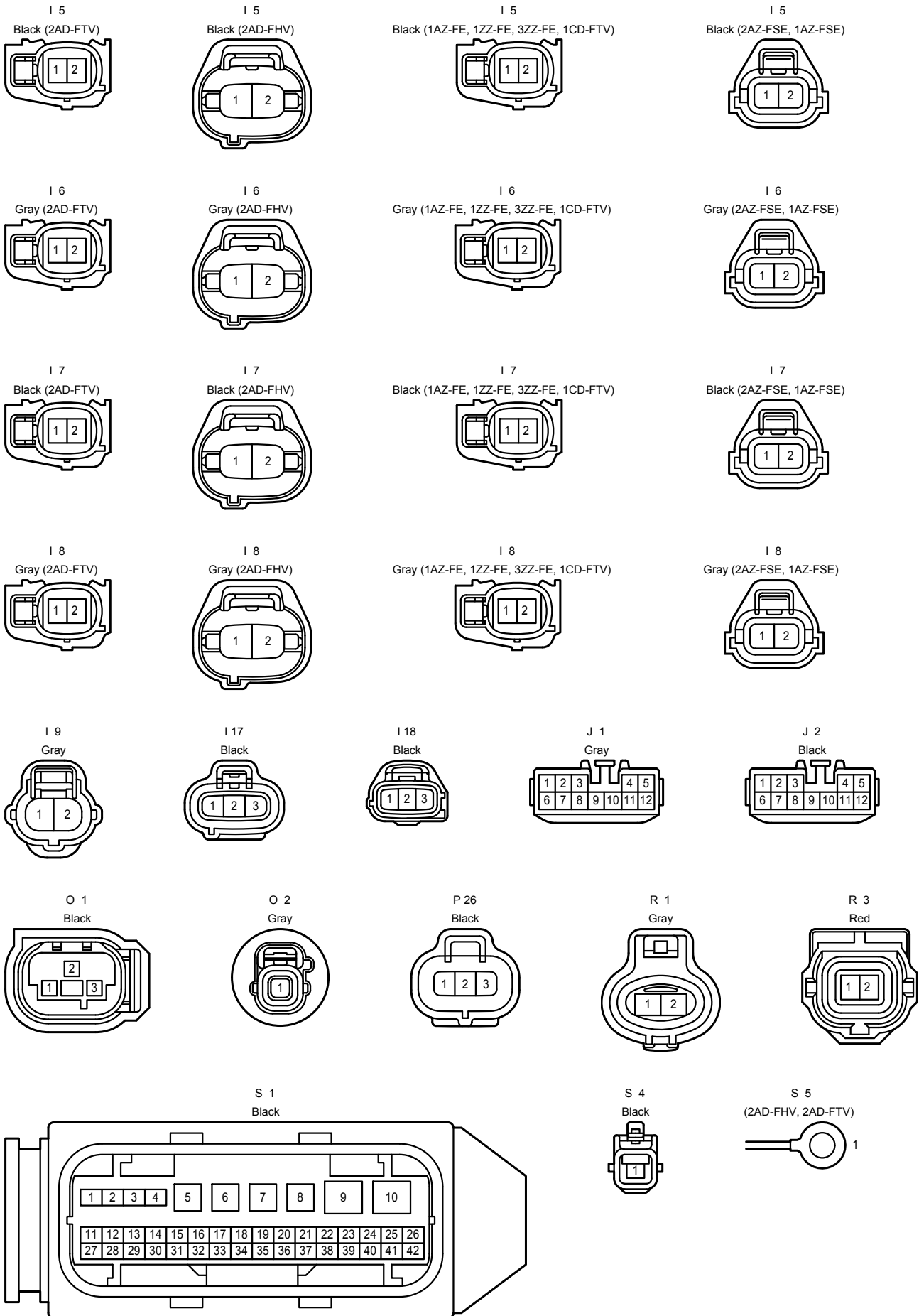
- R 1 Radiator Fan Motor
- R 3 Rear Washer Motor

- S 1 Skid Control ECU with Actuator
- S 4 Starter
- S 5 Starter (2AD-FHV, 2AD-FTV)
- S 5 Starter (2AZ-FSE, 1AZ-FSE, 1AZ-FE)
- S 5 Starter (1ZZ-FE, 3ZZ-FE)
- S 5 Starter (1CD-FTV)
- S 6 Suction Control Valve

- T 5 Turbo Pressure Sensor

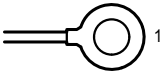
- V 4 VRV (EGR) (2AD-FHV, 2AD-FTV)
- V 4 VRV (EGR) (1CD-FTV)

Position of Parts in Engine Compartment <RHD 2AD-FTV>

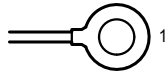


Position of Parts in Engine Compartment <RHD 2AD-FTV>

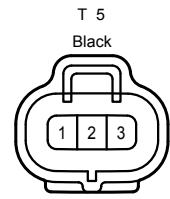
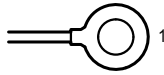
S 5
(2AZ-FSE, 1AZ-FSE, 1AZ-FE)



S 5
(1ZZ-FE, 3ZZ-FE)



S 5
(1CD-FTV)

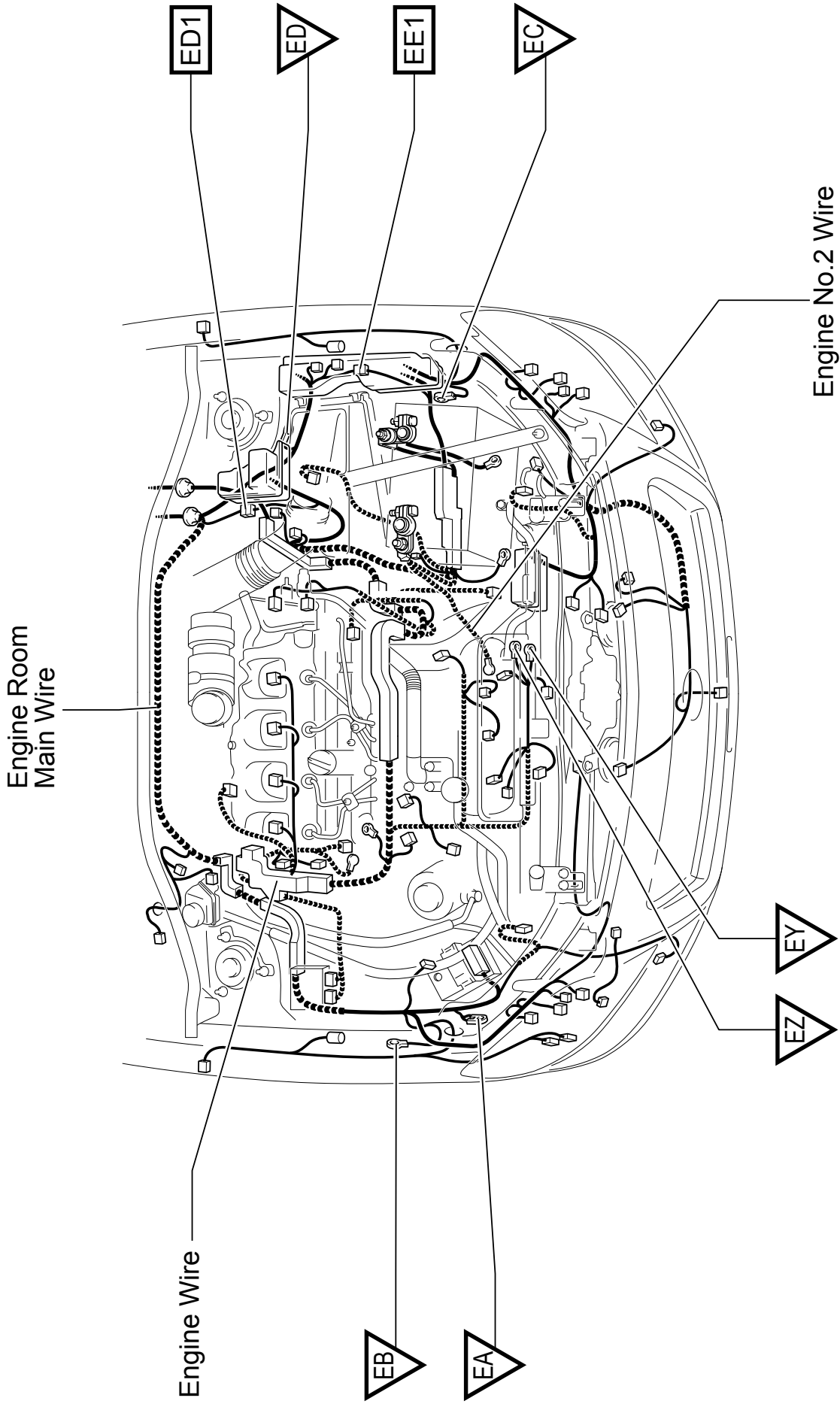


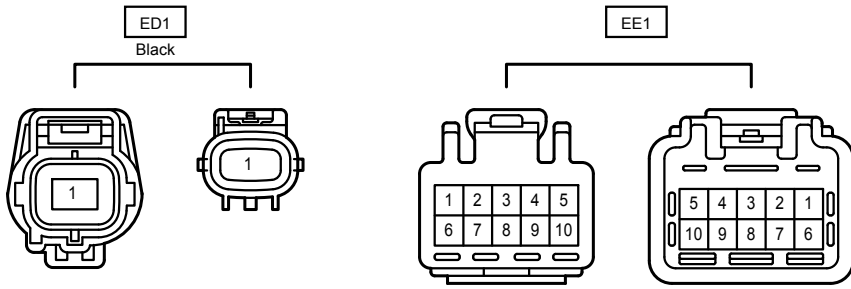
V 4
Black (2AD-FHV, 2AD-FTV)

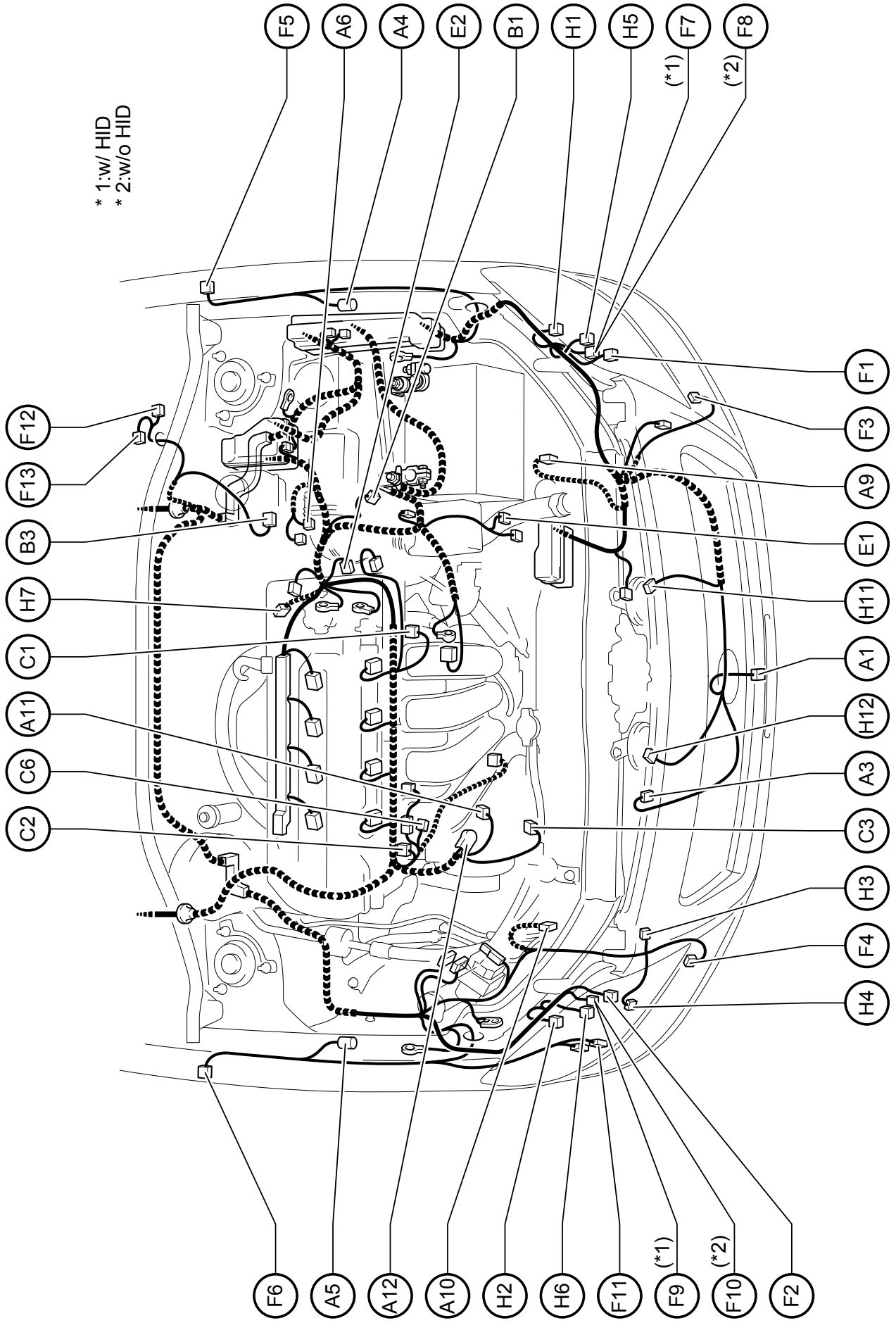


V 4
Black (1CD-FTV)









- A 1 A/C Ambient Temp. Sensor
- A 3 A/C Pressure Sensor
- A 4 ABS Speed Sensor Front LH
- A 5 ABS Speed Sensor Front RH
- A 6 Air Flow Meter
- A 9 Airbag Sensor Front LH
- A 10 Airbag Sensor Front RH
- A 11 Alternator
- A 12 Alternator (1CD-FTV)
- A 12 Alternator (Except 1CD-FTV)

- B 1 Back-Up Light SW
- B 3 Brake Fluid Level Warning SW

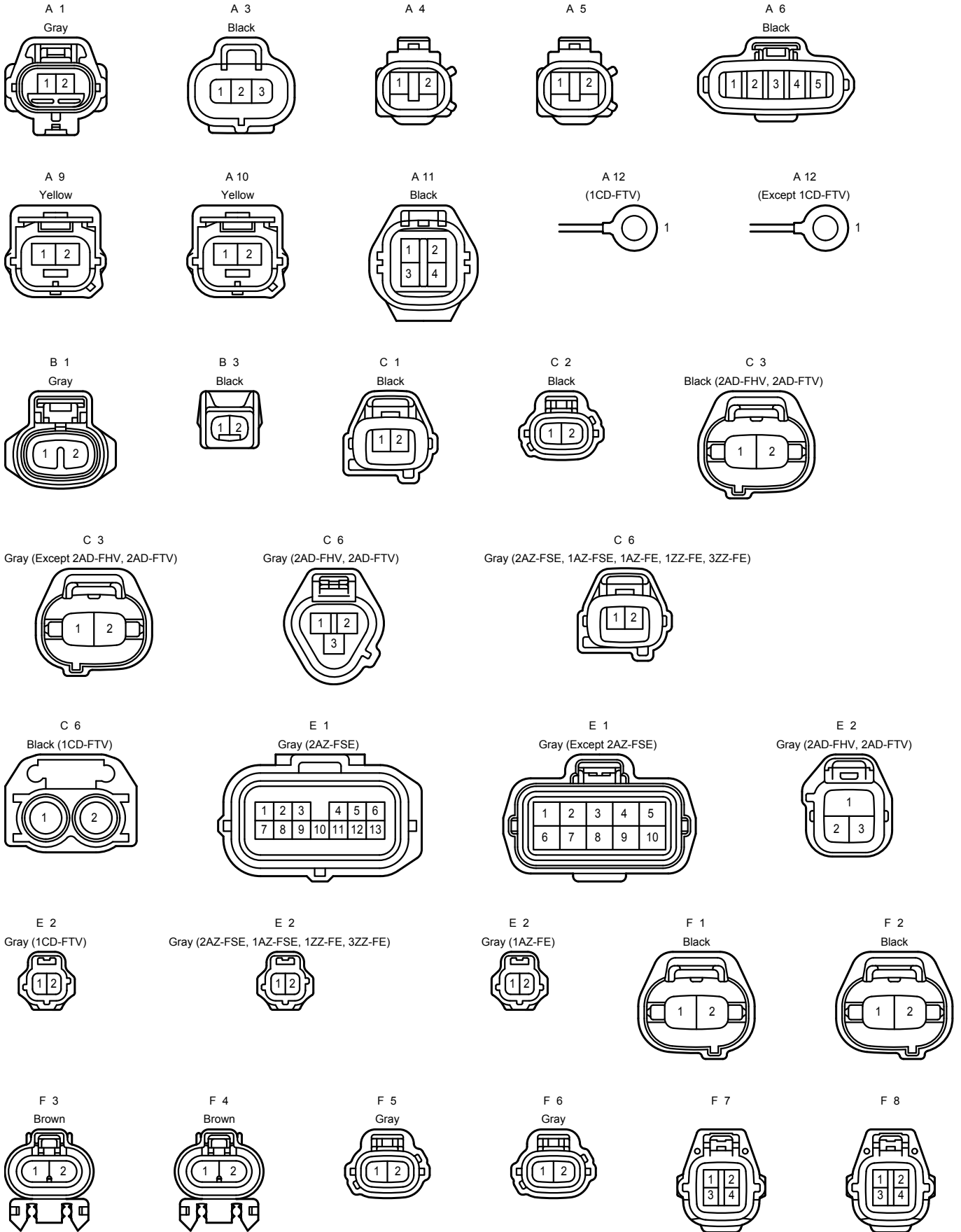
- C 1 Camshaft Position Sensor
- C 2 Camshaft Timing Oil Control Valve
- C 3 Compressor Assembly (2AD-FHV, 2AD-FTV)
- C 3 Compressor Assembly (Except 2AD-FHV, 2AD-FTV)
- C 6 Crankshaft Position Sensor (2AD-FHV, 2AD-FTV)
- C 6 Crankshaft Position Sensor (2AZ-FSE, 1AZ-FSE, 1AZ-FE, 1ZZ-FE, 3ZZ-FE)
- C 6 Crankshaft Position Sensor (1CD-FTV)

- E 1 ECT Solenoid (2AZ-FSE)
- E 1 ECT Solenoid (Except 2AZ-FSE)
- E 2 EFI Water Temp. Sensor (2AD-FHV, 2AD-FTV)
- E 2 EFI Water Temp. Sensor (1CD-FTV)
- E 2 EFI Water Temp. Sensor (2AZ-FSE, 1AZ-FSE, 1ZZ-FE, 3ZZ-FE)
- E 2 EFI Water Temp. Sensor (1AZ-FE)

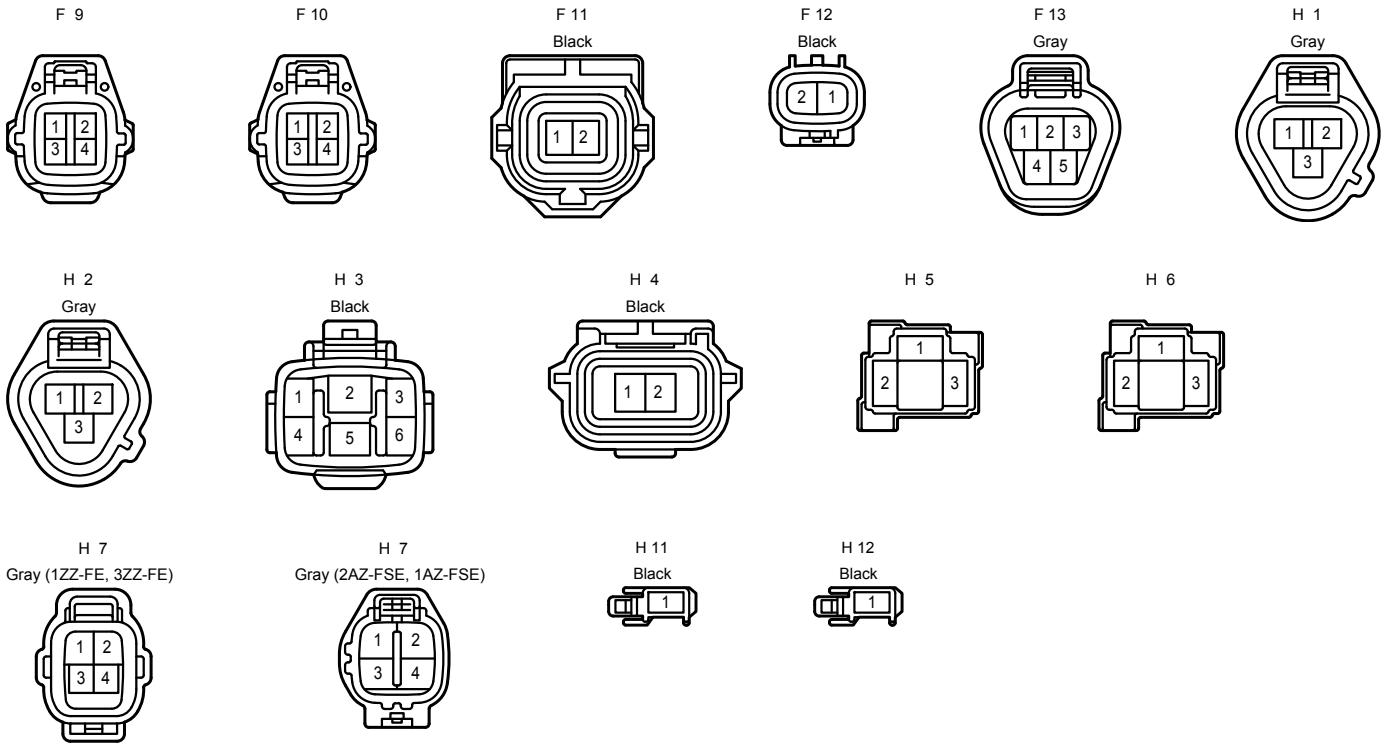
- F 1 Front Clearance Light LH
- F 2 Front Clearance Light RH
- F 3 Front Fog Light LH
- F 4 Front Fog Light RH
- F 5 Front Side Turn Signal Light LH
- F 6 Front Side Turn Signal Light RH
- F 7 Front Turn Signal Light LH , Headlight Control ECU LH
- F 8 Front Turn Signal Light LH , Headlight LH (Low)
- F 9 Front Turn Signal Light RH , Headlight Control ECU RH
- F 10 Front Turn Signal Light RH , Headlight RH (Low)
- F 11 Front Washer Motor
- F 12 Front Window Deicer
- F 13 Front Wiper Motor

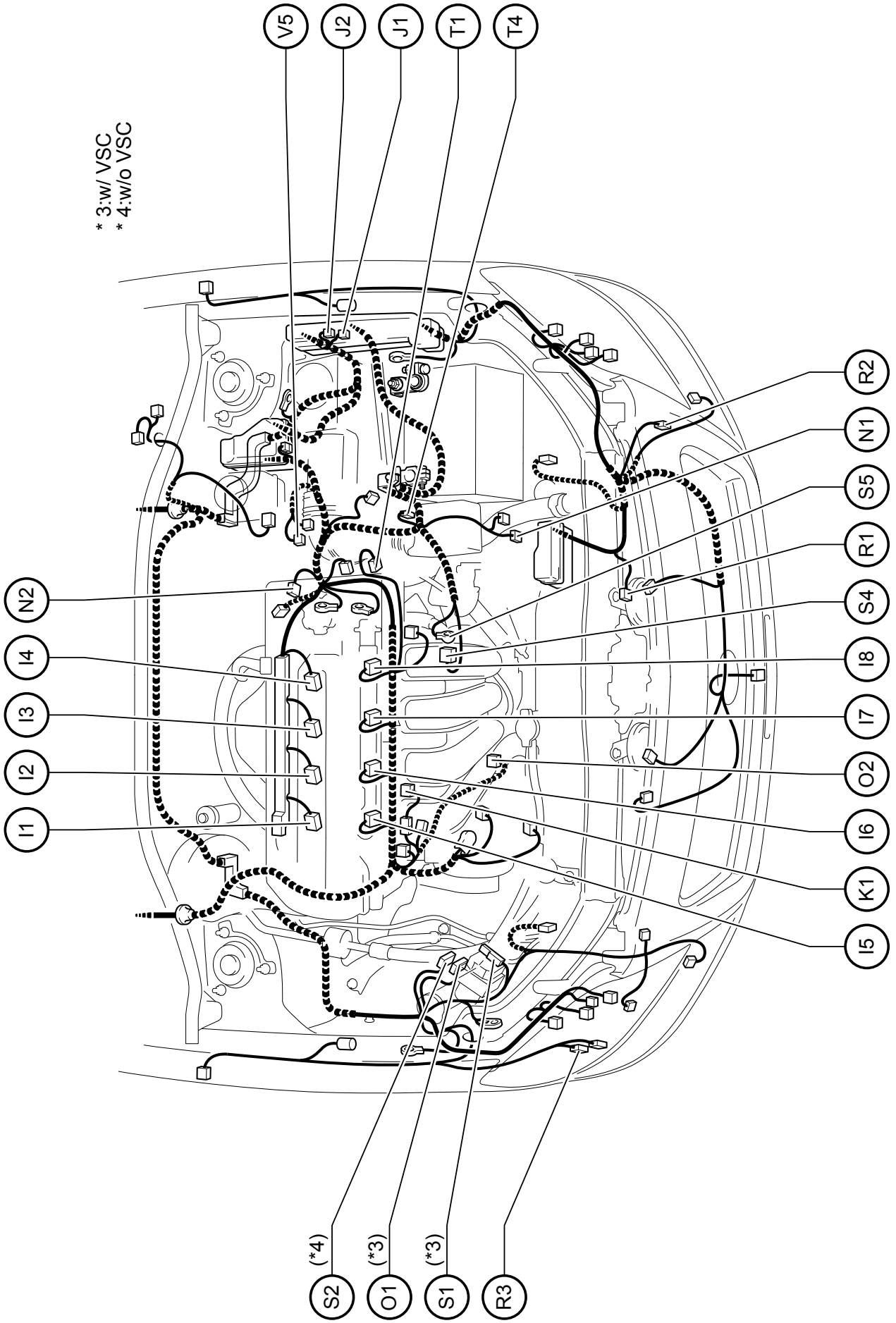
- H 1 Headlight Beam Level Control Actuator LH
- H 2 Headlight Beam Level Control Actuator RH
- H 3 Headlight Cleaner Control Relay
- H 4 Headlight Cleaner Motor
- H 5 Headlight LH (High)
- H 6 Headlight RH (High)
- H 7 Heated Oxygen Sensor (Bank 1 Sensor 1) (1ZZ-FE, 3ZZ-FE)
- H 7 Heated Oxygen Sensor (Bank 1 Sensor 1) (2AZ-FSE, 1AZ-FSE)
- H 11 Horn LH
- H 12 Horn RH

Position of Parts in Engine Compartment <LHD 1ZZ-FE, 3ZZ-FE>



Position of Parts in Engine Compartment <LHD 1ZZ-FE, 3ZZ-FE>





- I 1 Ignition Coil and Igniter No.1
- I 2 Ignition Coil and Igniter No.2
- I 3 Ignition Coil and Igniter No.3
- I 4 Ignition Coil and Igniter No.4
- I 5 Injector No.1 (2AD-FTV)
- I 5 Injector No.1 (2AD-FHV)
- I 5 Injector No.1 (1AZ-FE, 1ZZ-FE, 3ZZ-FE, 1CD-FTV)
- I 5 Injector No.1 (2AZ-FSE, 1AZ-FSE)
- I 6 Injector No.2 (2AD-FTV)
- I 6 Injector No.2 (2AD-FHV)
- I 6 Injector No.2 (1AZ-FE, 1ZZ-FE, 3ZZ-FE, 1CD-FTV)
- I 6 Injector No.2 (2AZ-FSE, 1AZ-FSE)
- I 7 Injector No.3 (2AD-FTV)
- I 7 Injector No.3 (2AD-FHV)
- I 7 Injector No.3 (1AZ-FE, 1ZZ-FE, 3ZZ-FE, 1CD-FTV)
- I 7 Injector No.3 (2AZ-FSE, 1AZ-FSE)
- I 8 Injector No.4 (2AD-FTV)
- I 8 Injector No.4 (2AD-FHV)
- I 8 Injector No.4 (1AZ-FE, 1ZZ-FE, 3ZZ-FE, 1CD-FTV)
- I 8 Injector No.4 (2AZ-FSE, 1AZ-FSE)

- J 1 Junction Connector
- J 2 Junction Connector

- K 1 Knock Sensor (Bank 1)

- N 1 Neutral Start SW
- N 2 Noise Filter (Ignition)

- O 1 Oil Pressure Sensor
- O 2 Oil Pressure SW

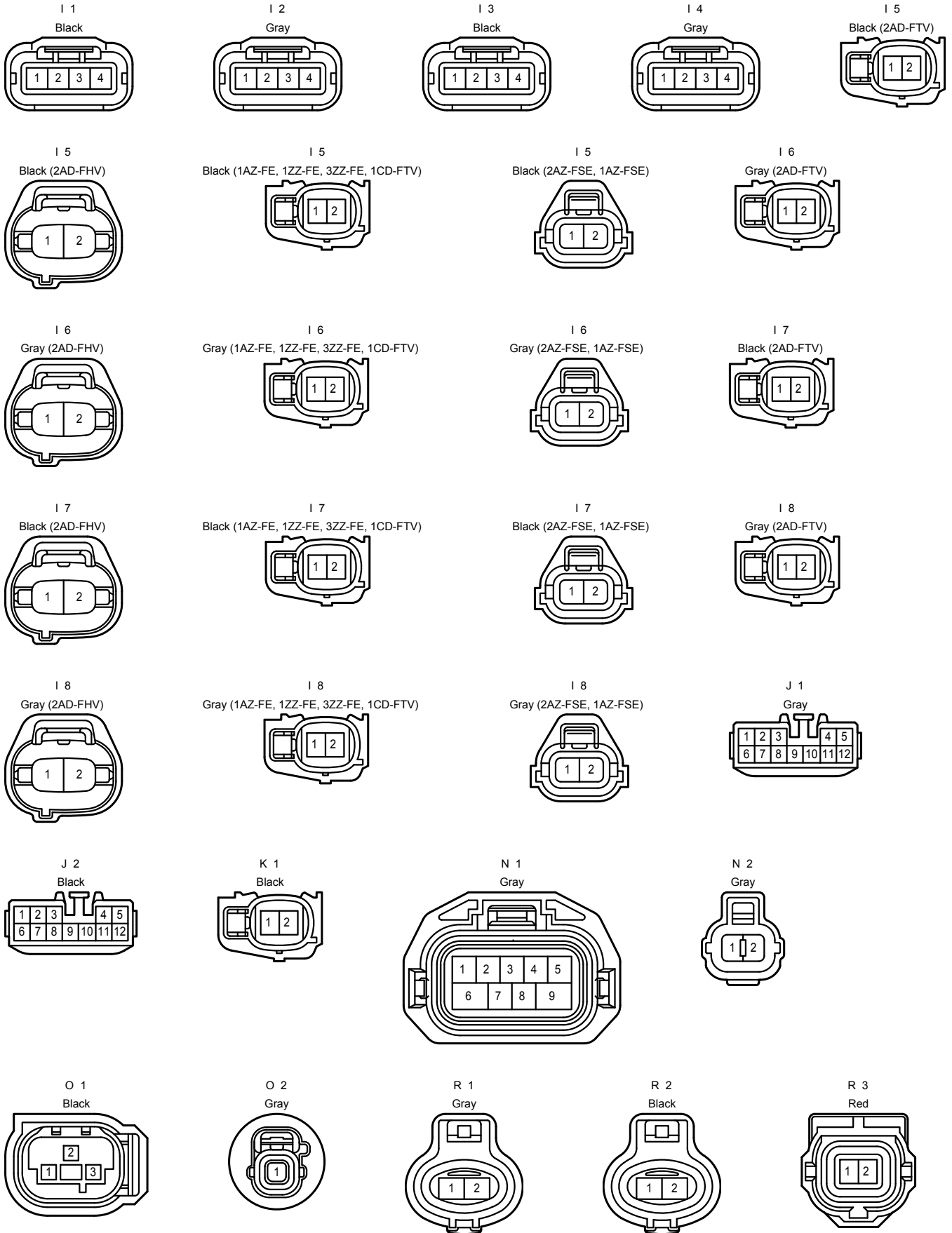
- R 1 Radiator Fan Motor
- R 2 Radiator Fan Resistor
- R 3 Rear Washer Motor

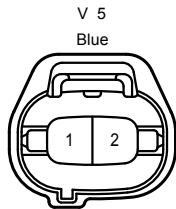
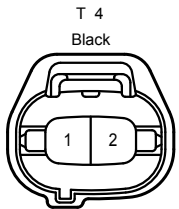
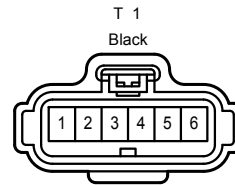
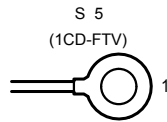
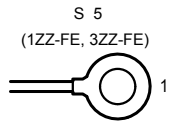
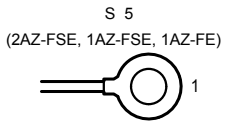
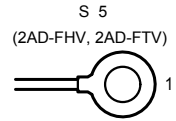
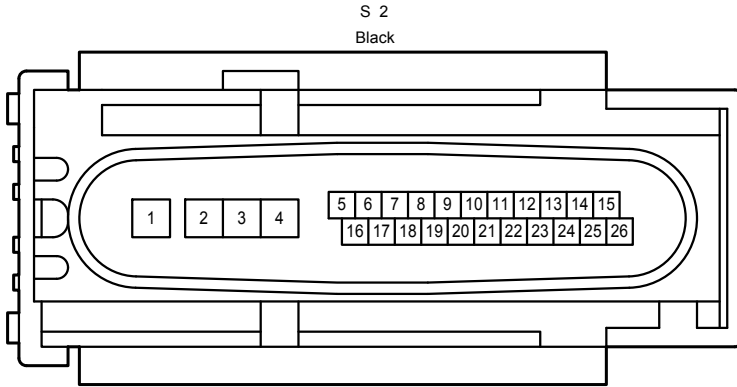
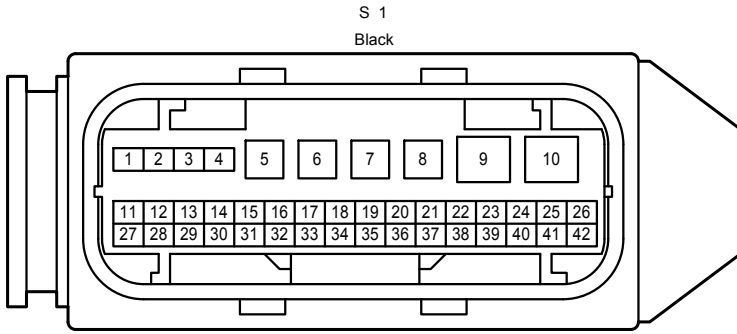
- S 1 Skid Control ECU with Actuator
- S 2 Skid Control ECU with Actuator
- S 4 Starter
- S 5 Starter (2AD-FHV, 2AD-FTV)
- S 5 Starter (2AZ-FSE, 1AZ-FSE, 1AZ-FE)
- S 5 Starter (1ZZ-FE, 3ZZ-FE)
- S 5 Starter (1CD-FTV)

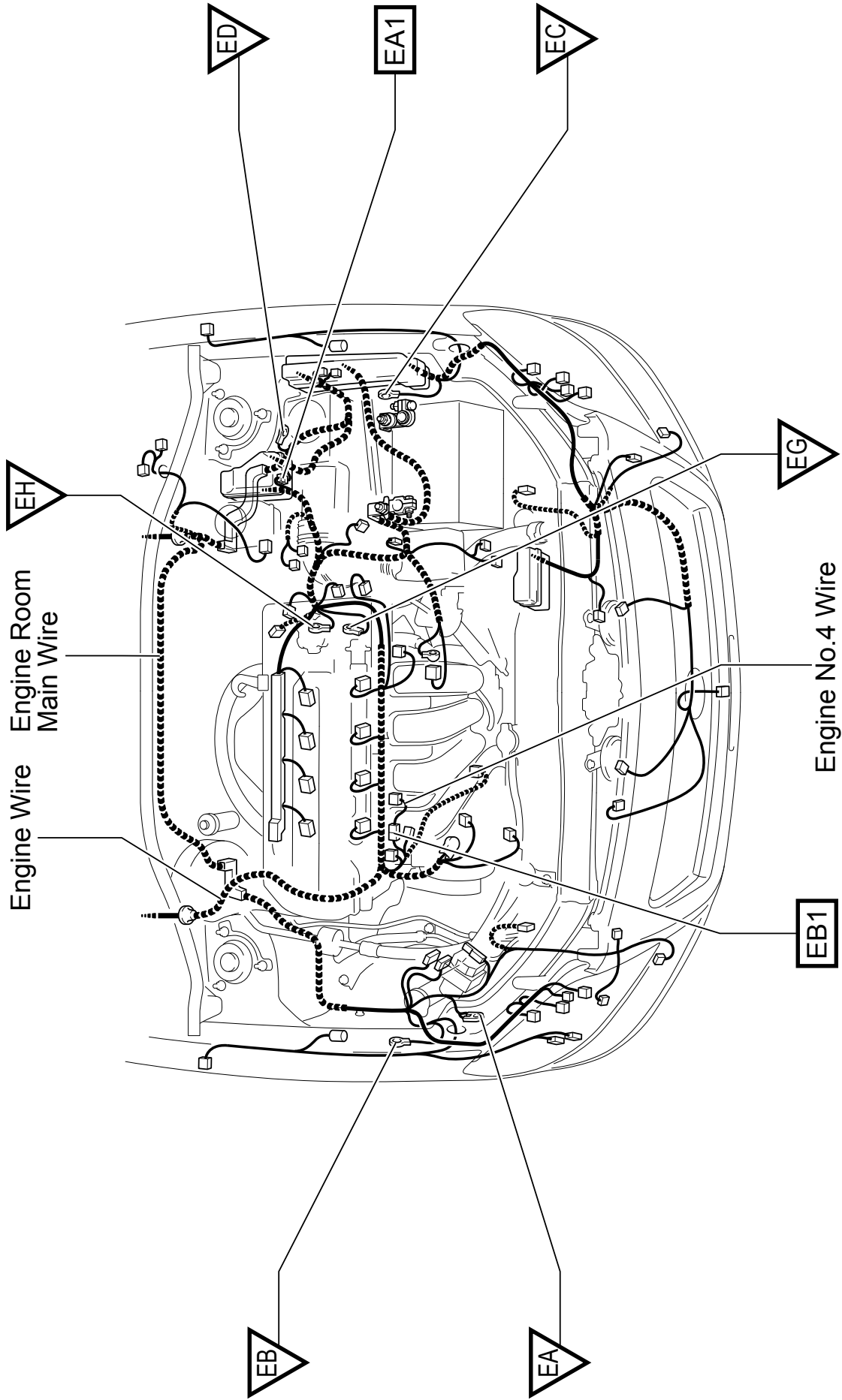
- T 1 Throttle Control Motor and Position Sensor
- T 4 Turbine Speed Sensor

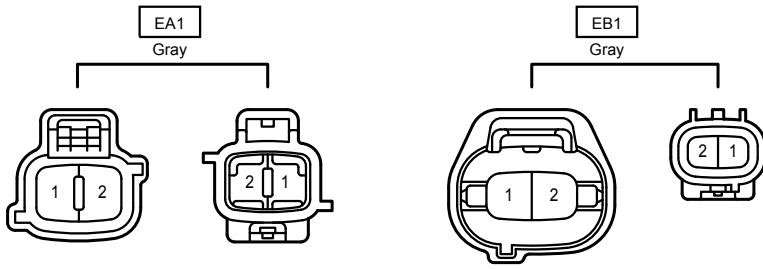
- V 5 VSV (EVAP)

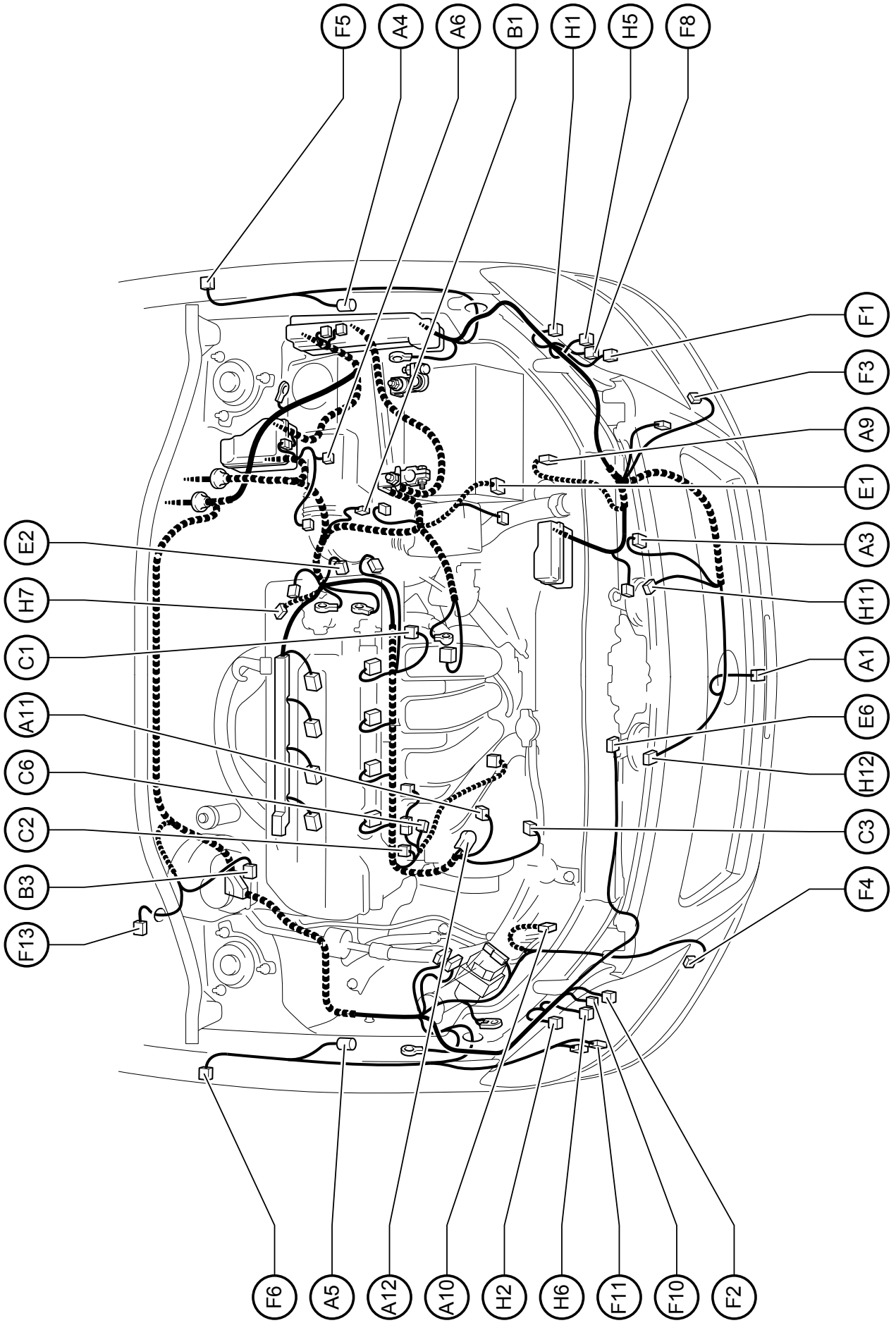
Position of Parts in Engine Compartment <LHD 1ZZ-FE, 3ZZ-FE>











- A 1 A/C Ambient Temp. Sensor
- A 3 A/C Pressure Sensor
- A 4 ABS Speed Sensor Front LH
- A 5 ABS Speed Sensor Front RH
- A 6 Air Flow Meter
- A 9 Airbag Sensor Front LH
- A 10 Airbag Sensor Front RH
- A 11 Alternator
- A 12 Alternator (1CD-FTV)
- A 12 Alternator (Except 1CD-FTV)

- B 1 Back-Up Light SW
- B 3 Brake Fluid Level Warning SW

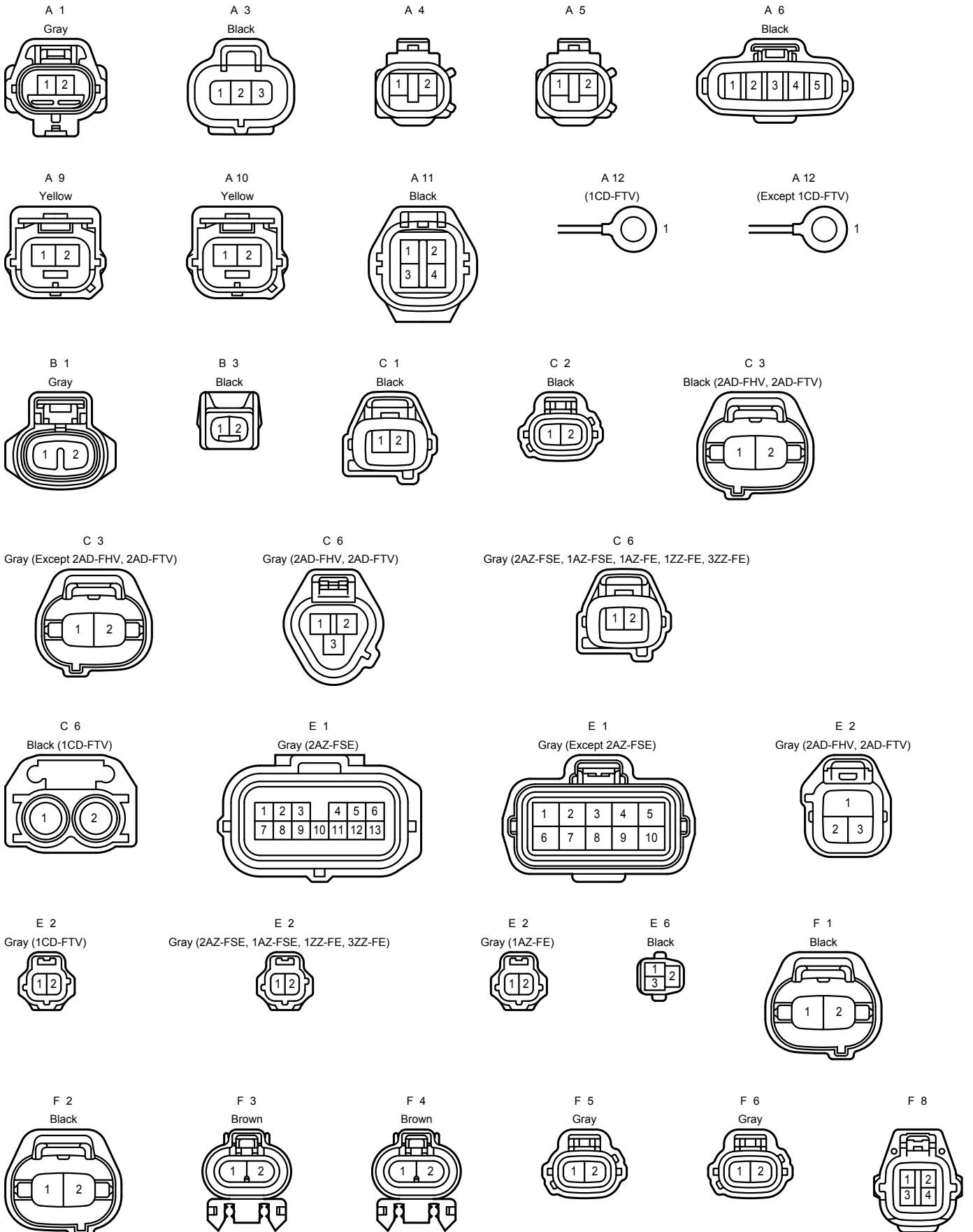
- C 1 Camshaft Position Sensor
- C 2 Camshaft Timing Oil Control Valve
- C 3 Compressor Assembly (2AD-FHV, 2AD-FTV)
- C 3 Compressor Assembly (Except 2AD-FHV, 2AD-FTV)
- C 6 Crankshaft Position Sensor (2AD-FHV, 2AD-FTV)
- C 6 Crankshaft Position Sensor (2AZ-FSE, 1AZ-FSE, 1AZ-FE, 1ZZ-FE, 3ZZ-FE)
- C 6 Crankshaft Position Sensor (1CD-FTV)

- E 1 ECT Solenoid (2AZ-FSE)
- E 1 ECT Solenoid (Except 2AZ-FSE)
- E 2 EFI Water Temp. Sensor (2AD-FHV, 2AD-FTV)
- E 2 EFI Water Temp. Sensor (1CD-FTV)
- E 2 EFI Water Temp. Sensor (2AZ-FSE, 1AZ-FSE, 1ZZ-FE, 3ZZ-FE)
- E 2 EFI Water Temp. Sensor (1AZ-FE)
- E 6 Engine Hood Courtesy SW

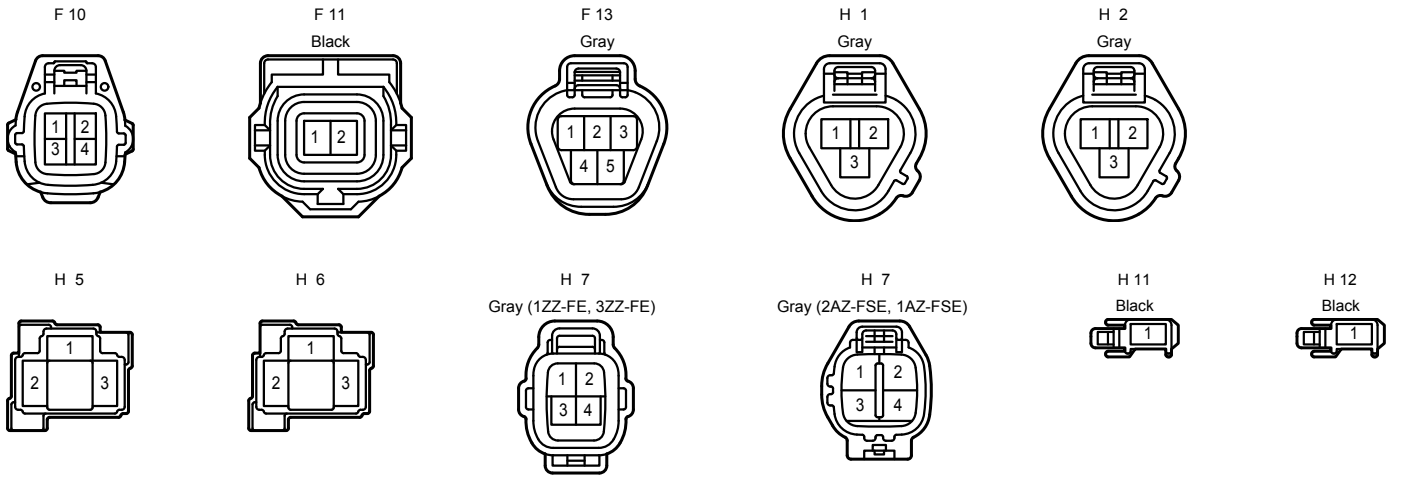
- F 1 Front Clearance Light LH
- F 2 Front Clearance Light RH
- F 3 Front Fog Light LH
- F 4 Front Fog Light RH
- F 5 Front Side Turn Signal Light LH
- F 6 Front Side Turn Signal Light RH
- F 8 Front Turn Signal Light LH , Headlight LH (Low)
- F 10 Front Turn Signal Light RH , Headlight RH (Low)
- F 11 Front Washer Motor
- F 13 Front Wiper Motor

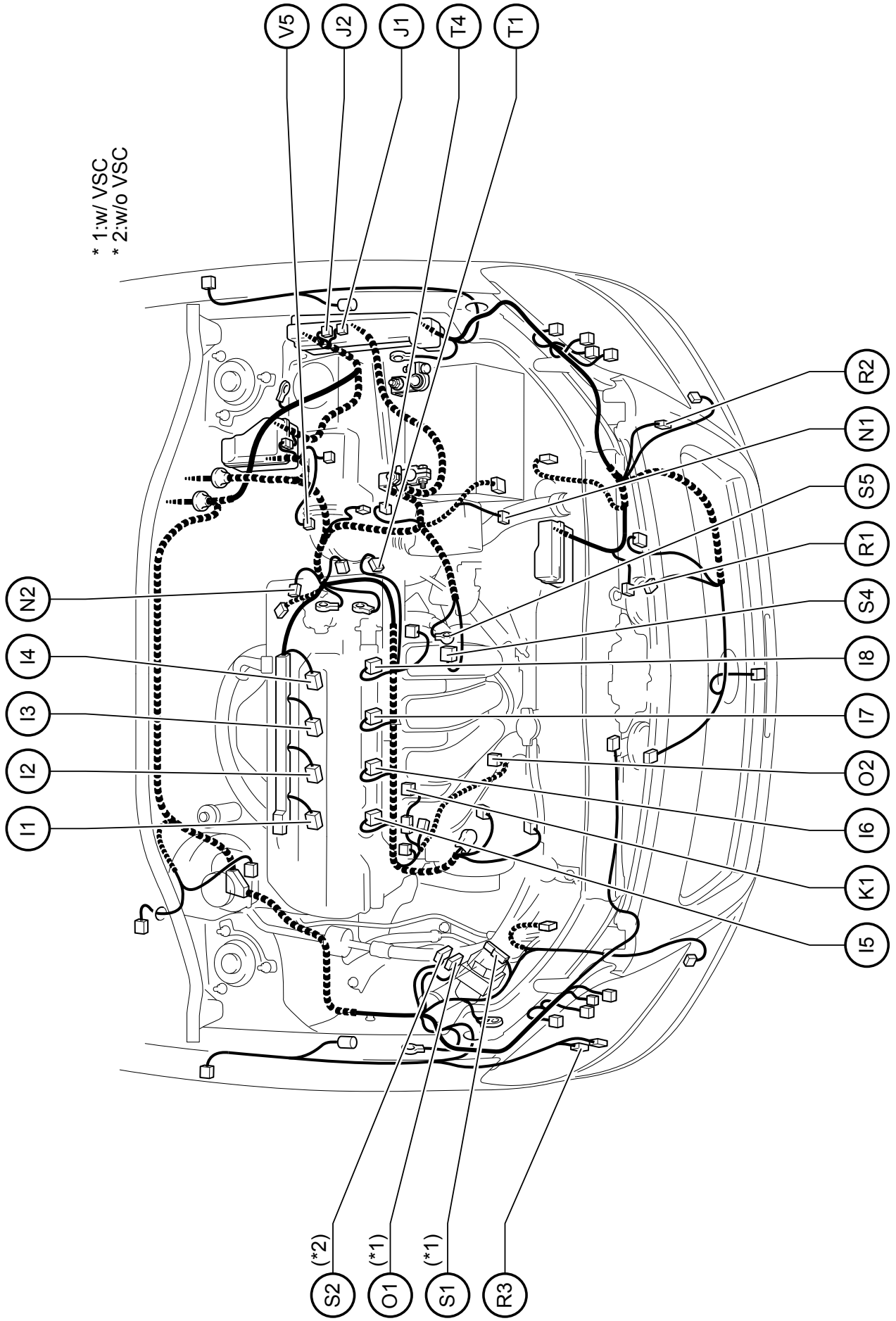
- H 1 Headlight Beam Level Control Actuator LH
- H 2 Headlight Beam Level Control Actuator RH
- H 5 Headlight LH (High)
- H 6 Headlight RH (High)
- H 7 Heated Oxygen Sensor (Bank 1 Sensor 1) (1ZZ-FE, 3ZZ-FE)
- H 7 Heated Oxygen Sensor (Bank 1 Sensor 1) (2AZ-FSE, 1AZ-FSE)
- H 11 Horn LH
- H 12 Horn RH

Position of Parts in Engine Compartment <RHD 1ZZ-FE, 3ZZ-FE>



Position of Parts in Engine Compartment <RHD 1ZZ-FE, 3ZZ-FE>





- I 1 Ignition Coil and Igniter No.1
- I 2 Ignition Coil and Igniter No.2
- I 3 Ignition Coil and Igniter No.3
- I 4 Ignition Coil and Igniter No.4
- I 5 Injector No.1 (2AD-FTV)
- I 5 Injector No.1 (2AD-FHV)
- I 5 Injector No.1 (1AZ-FE, 1ZZ-FE, 3ZZ-FE, 1CD-FTV)
- I 5 Injector No.1 (2AZ-FSE, 1AZ-FSE)
- I 6 Injector No.2 (2AD-FTV)
- I 6 Injector No.2 (2AD-FHV)
- I 6 Injector No.2 (1AZ-FE, 1ZZ-FE, 3ZZ-FE, 1CD-FTV)
- I 6 Injector No.2 (2AZ-FSE, 1AZ-FSE)
- I 7 Injector No.3 (2AD-FTV)
- I 7 Injector No.3 (2AD-FHV)
- I 7 Injector No.3 (1AZ-FE, 1ZZ-FE, 3ZZ-FE, 1CD-FTV)
- I 7 Injector No.3 (2AZ-FSE, 1AZ-FSE)
- I 8 Injector No.4 (2AD-FTV)
- I 8 Injector No.4 (2AD-FHV)
- I 8 Injector No.4 (1AZ-FE, 1ZZ-FE, 3ZZ-FE, 1CD-FTV)
- I 8 Injector No.4 (2AZ-FSE, 1AZ-FSE)

- J 1 Junction Connector
- J 2 Junction Connector

- K 1 Knock Sensor (Bank 1)

- N 1 Neutral Start SW
- N 2 Noise Filter (Ignition)

- O 1 Oil Pressure Sensor
- O 2 Oil Pressure SW

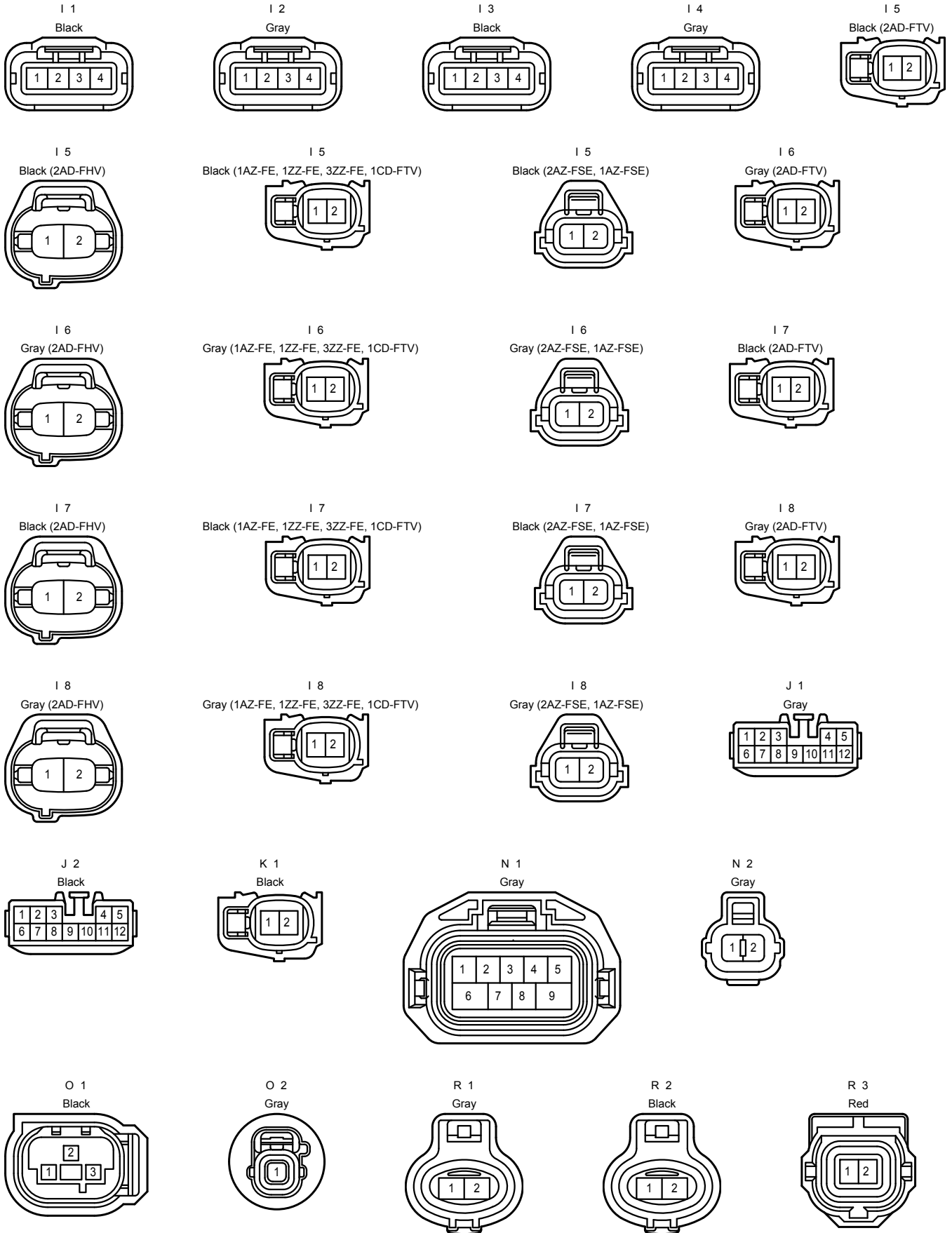
- R 1 Radiator Fan Motor
- R 2 Radiator Fan Resistor
- R 3 Rear Washer Motor

- S 1 Skid Control ECU with Actuator
- S 2 Skid Control ECU with Actuator
- S 4 Starter
- S 5 Starter (2AD-FHV, 2AD-FTV)
- S 5 Starter (2AZ-FSE, 1AZ-FSE, 1AZ-FE)
- S 5 Starter (1ZZ-FE, 3ZZ-FE)
- S 5 Starter (1CD-FTV)

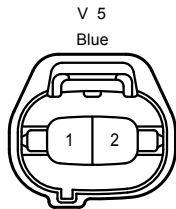
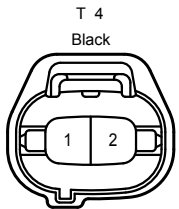
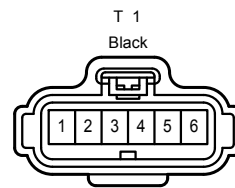
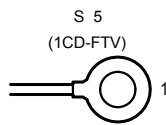
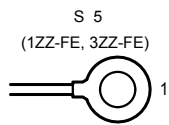
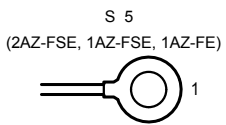
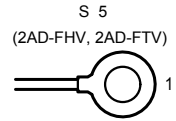
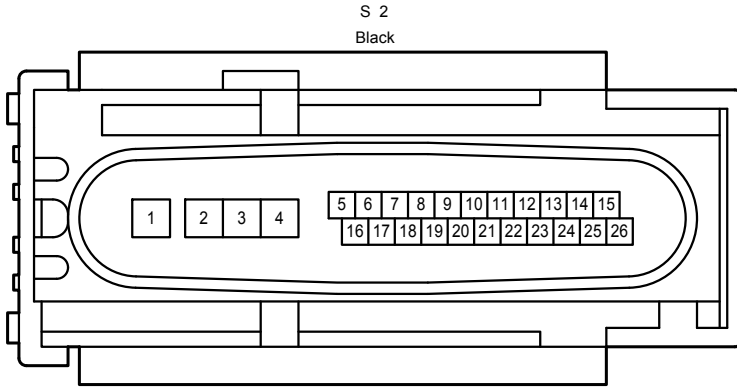
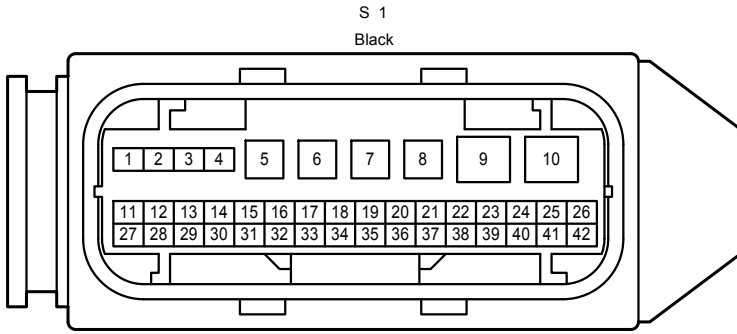
- T 1 Throttle Control Motor and Position Sensor
- T 4 Turbine Speed Sensor

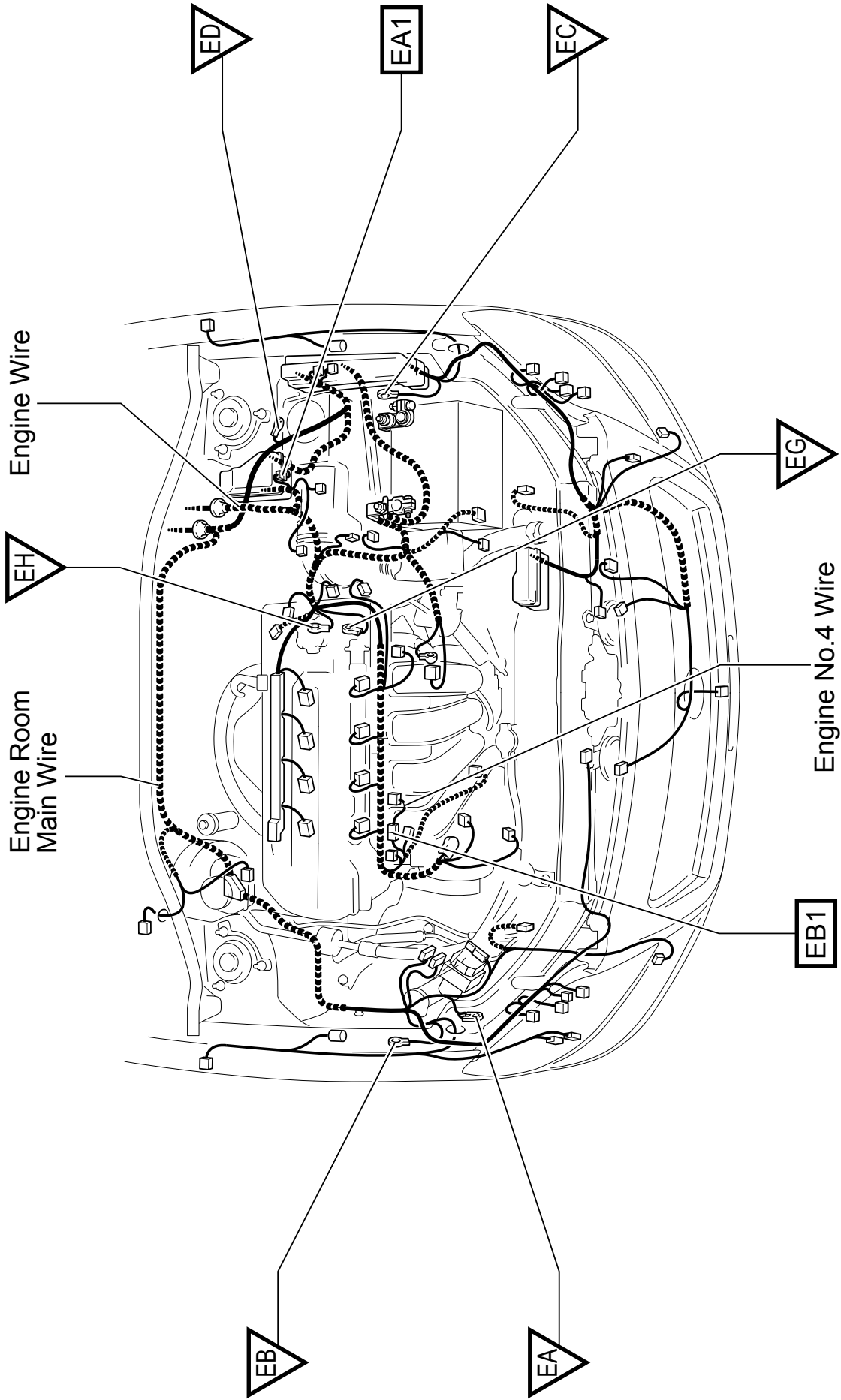
- V 5 VSV (EVAP)

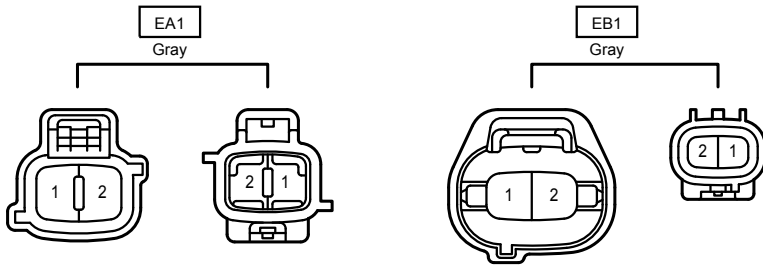
Position of Parts in Engine Compartment <RHD 1ZZ-FE, 3ZZ-FE>

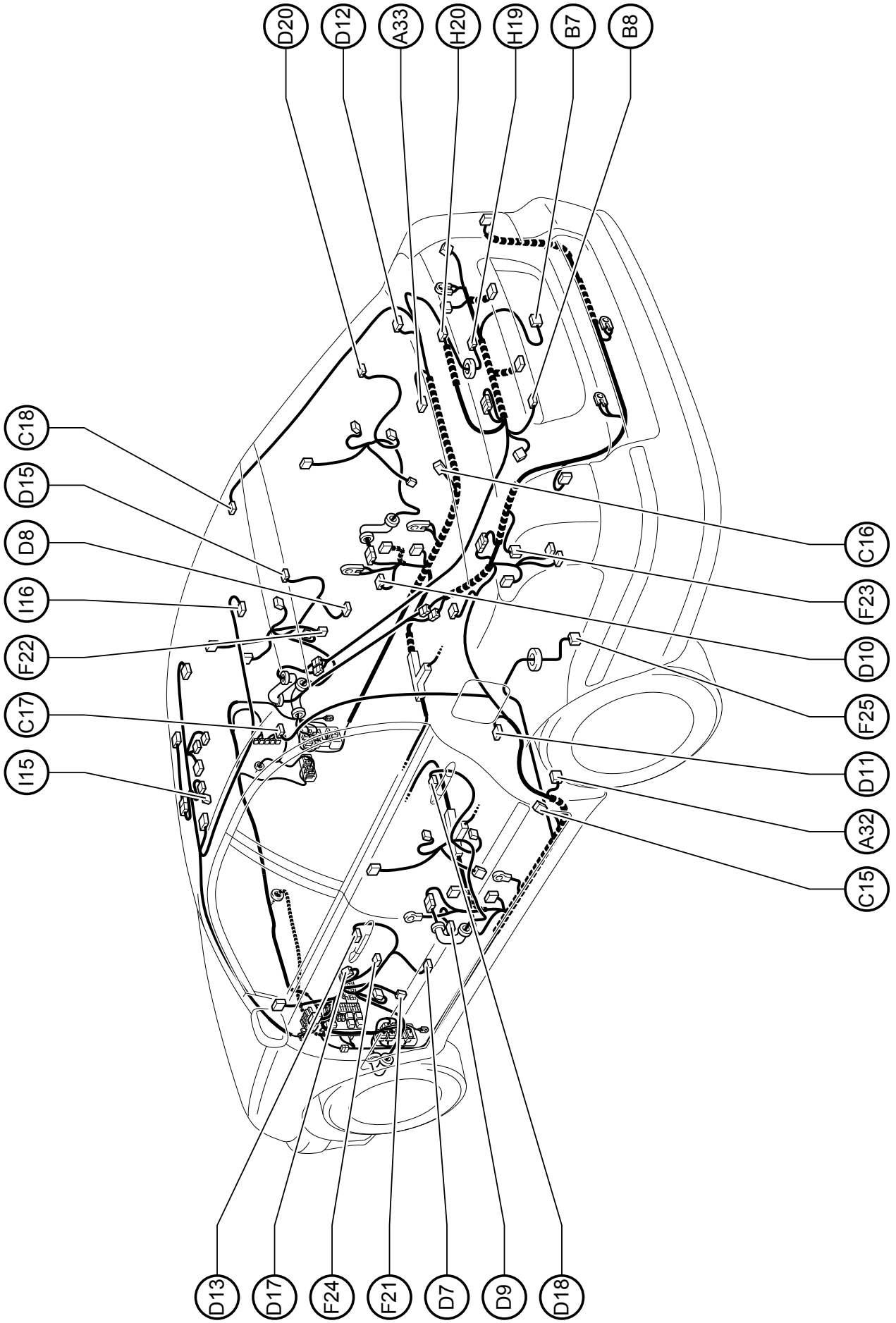


Position of Parts in Engine Compartment <RHD 1ZZ-FE, 3ZZ-FE>









- A 32 ABS Speed Sensor Rear LH
- A 33 ABS Speed Sensor Rear RH

- B 7 Back Door Courtesy SW , Back Door Lock Motor (W/G)
- B 7 Back Door Courtesy SW , Back Door Lock Motor (L/B)
- B 8 Back Door Opener SW

- C 15 Curtain Shield Airbag Sensor LH
- C 16 Curtain Shield Airbag Sensor RH
- C 17 Curtain Shield Airbag Squib LH
- C 18 Curtain Shield Airbag Squib RH

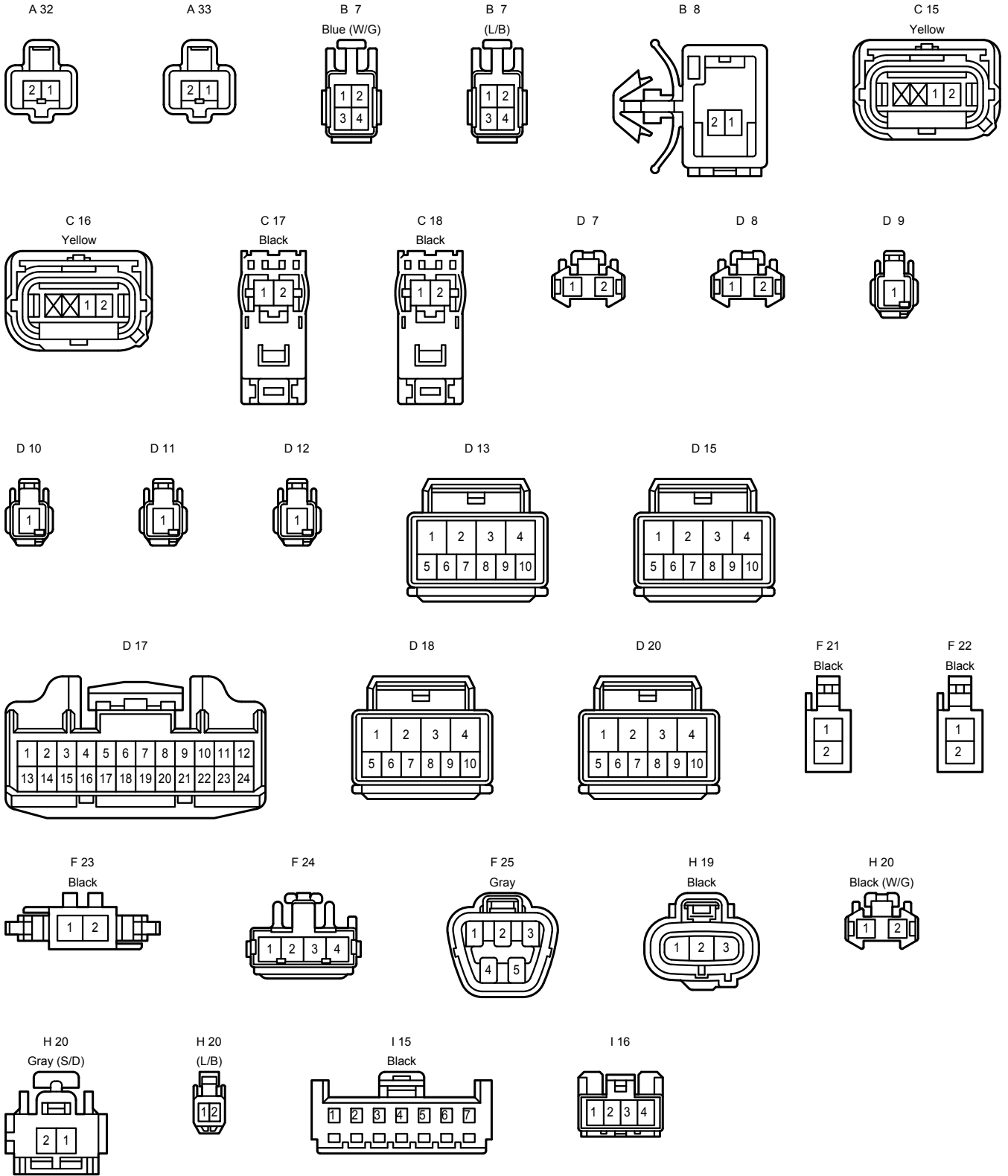
- D 7 Door Courtesy Light LH
- D 8 Door Courtesy Light RH
- D 9 Door Courtesy SW Front LH
- D 10 Door Courtesy SW Front RH
- D 11 Door Courtesy SW Rear LH
- D 12 Door Courtesy SW Rear RH
- D 13 Door Key Lock and Unlock SW (Driver's Side) , Door Lock Control Motor (Driver's Side) , Door Unlock Detection SW (Driver's Side)
- D 15 Door Lock Control Motor (Front Passenger's Side)
- D 17 Door Lock Control SW , Power Window Master SW
- D 18 Door Lock Motor Rear LH
- D 20 Door Lock Motor Rear RH

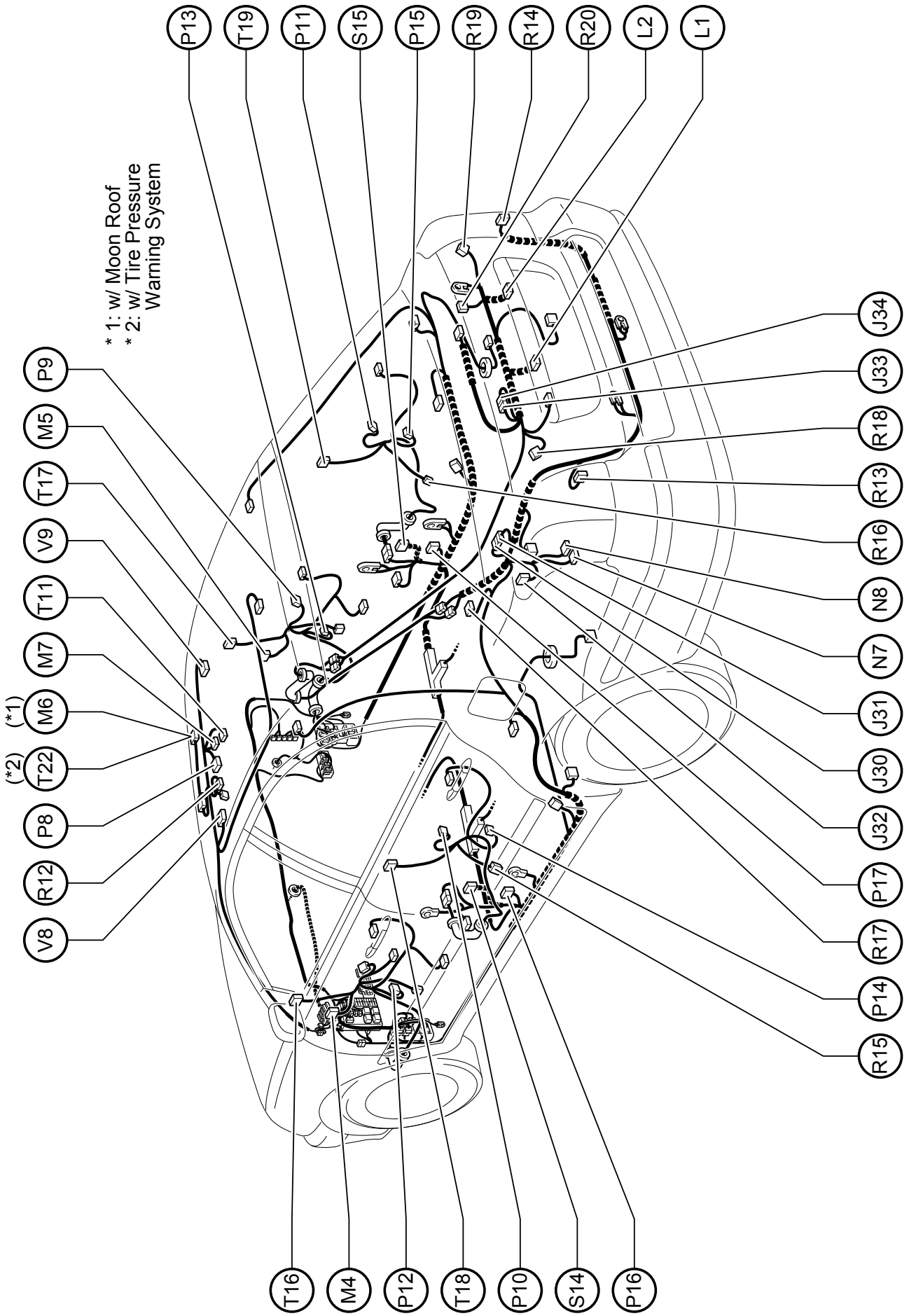
- F 21 Front Door Speaker LH
- F 22 Front Door Speaker RH
- F 23 Fuel Lid Opener Motor
- F 24 Fuel Lid Opener SW
- F 25 Fuel Pump , Fuel Sender

- H 19 Height Control Sensor (Rear)
- H 20 High Mounted Stop Light (W/G)
- H 20 High Mounted Stop Light (S/D)
- H 20 High Mounted Stop Light (L/B)

- I 15 Inner Mirror
- I 16 Interior Light

Position of Parts in Body <LHD L/B>





- J 30 Junction Connector
- J 31 Junction Connector
- J 32 Junction Connector
- J 33 Junction Connector
- J 34 Junction Connector

- L 1 License Plate Light LH
- L 2 License Plate Light RH

- M 4 Mirror Heater LH , Remote Control Mirror LH
- M 5 Mirror Heater RH , Remote Control Mirror RH
- M 6 Moon Roof Control Relay and Motor
- M 7 Moon Roof Control SW

- N 7 Noise Filter (Rear Window Defogger No.2)
- N 8 Noise Filter (Stop Light)

- P 8 Personal Light
- P 9 Power Window Control SW (Front Passenger Side)
- P 10 Power Window Control SW Rear LH
- P 11 Power Window Control SW Rear RH
- P 12 Power Window Motor Front LH
- P 13 Power Window Motor Front RH
- P 14 Power Window Motor Rear LH
- P 15 Power Window Motor Rear RH
- P 16 Pretensioner LH
- P 17 Pretensioner RH

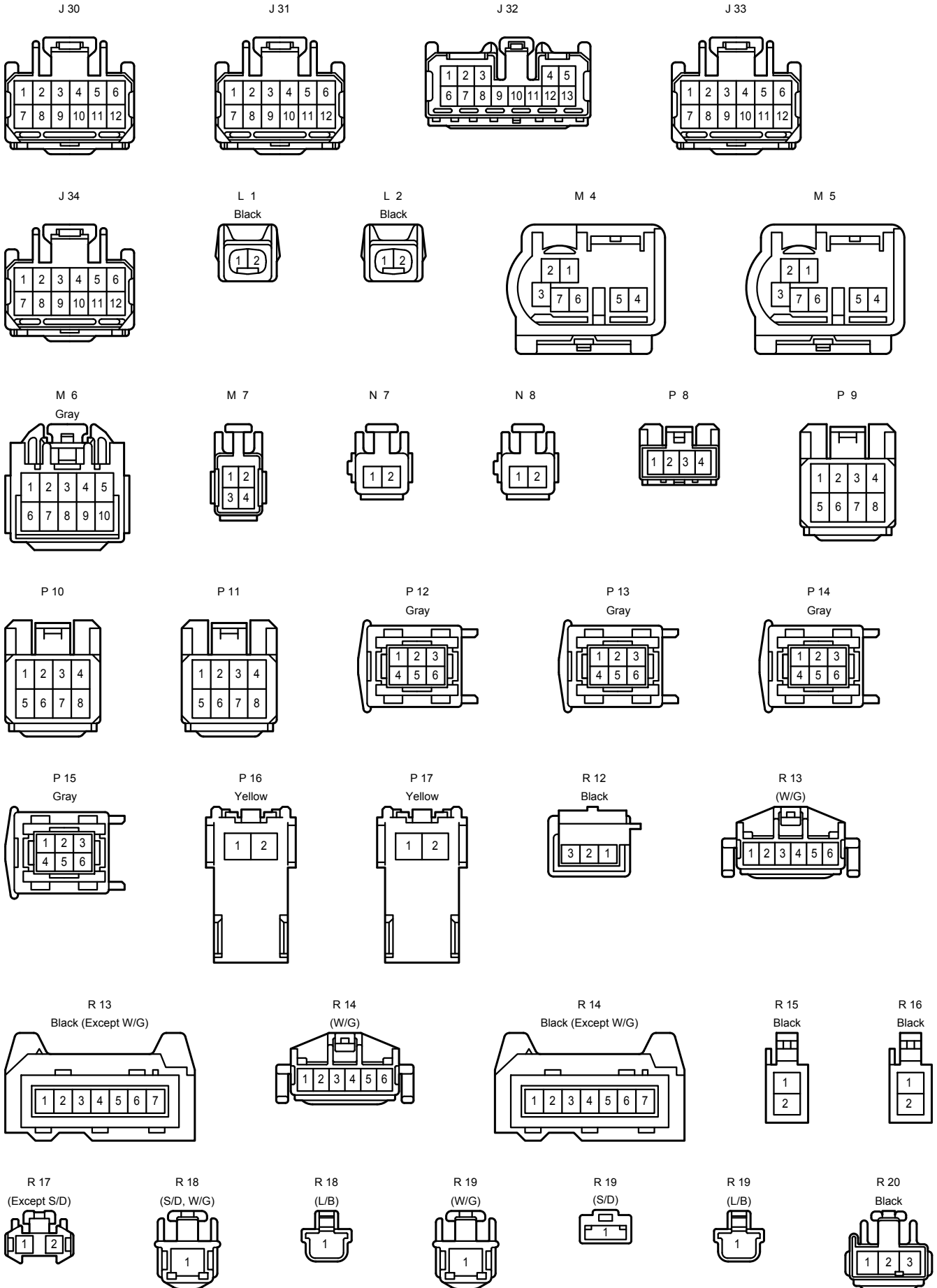
- R 12 Rain Sensor
- R 13 Rear Combination Light LH (W/G)
- R 13 Rear Combination Light LH (Except W/G)
- R 14 Rear Combination Light RH (W/G)
- R 14 Rear Combination Light RH (Except W/G)
- R 15 Rear Door Speaker LH
- R 16 Rear Door Speaker RH
- R 17 Rear Interior Light (Except S/D)
- R 18 Rear Window Defogger (S/D, W/G)
- R 18 Rear Window Defogger (L/B)
- R 19 Rear Window Defogger (W/G)
- R 19 Rear Window Defogger (S/D)
- R 19 Rear Window Defogger (L/B)
- R 20 Rear Wiper Motor and Relay

- S 14 Side Airbag Sensor LH (w/o Curtain Shield Airbag)
- S 14 Side Airbag Sensor LH (w/ Curtain Shield Airbag)
- S 15 Side Airbag Sensor RH (w/o Curtain Shield Airbag)
- S 15 Side Airbag Sensor RH (w/ Curtain Shield Airbag)

- T 11 Telephone Microphone Amplifier
- T 16 Tweeter Front LH
- T 17 Tweeter Front RH
- T 18 Tweeter Rear LH
- T 19 Tweeter Rear RH
- T 22 Tire Pressure Monitor Receiver

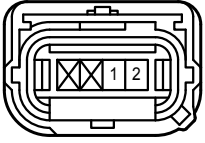
- V 8 Vanity Light LH
- V 9 Vanity Light RH

Position of Parts in Body <LHD L/B>

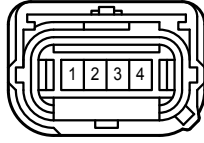


Position of Parts in Body <LHD L/B>

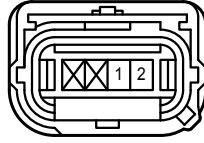
S 14
Yellow (w/o Curtain Shield Airbag)



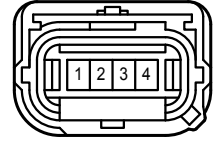
S 14
Yellow (w/ Curtain Shield Airbag)



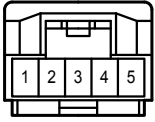
S 15
Yellow (w/o Curtain Shield Airbag)



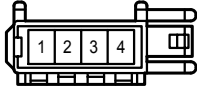
S 15
Yellow (w/ Curtain Shield Airbag)



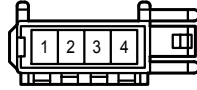
T 11



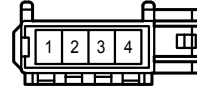
T 16



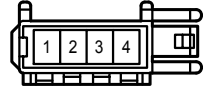
T 17



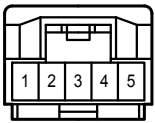
T 18



T 19



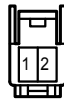
T 22

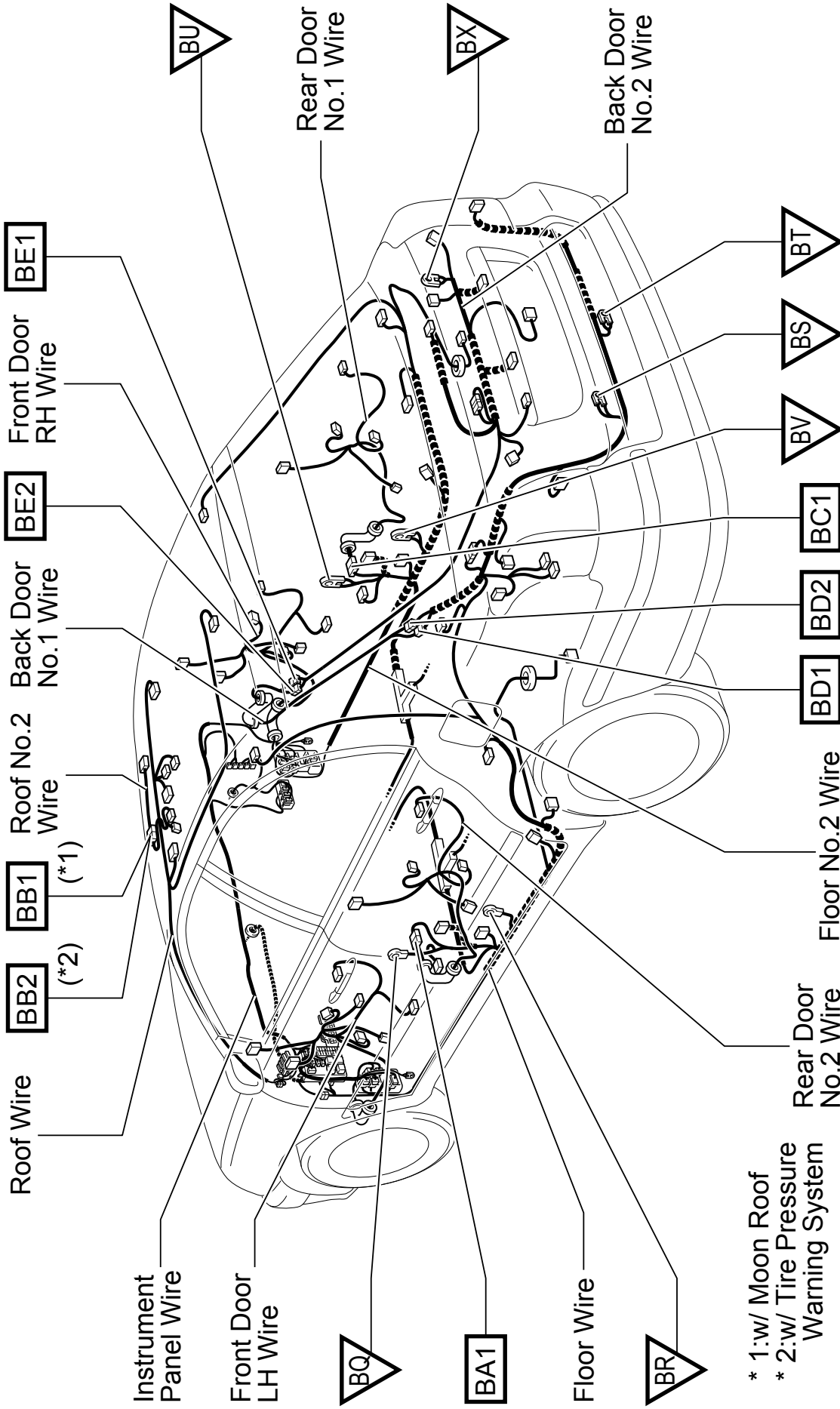


V 8

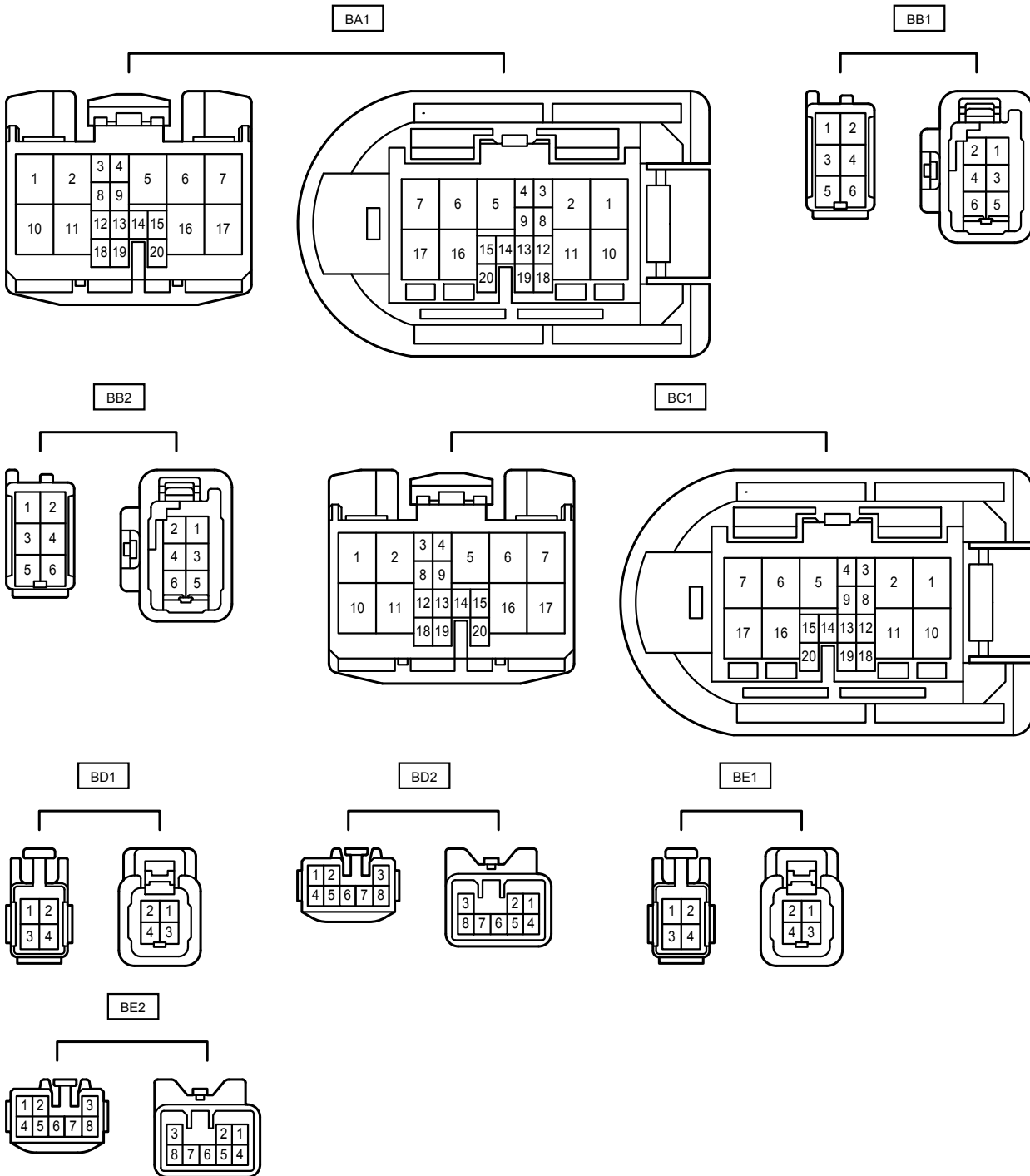


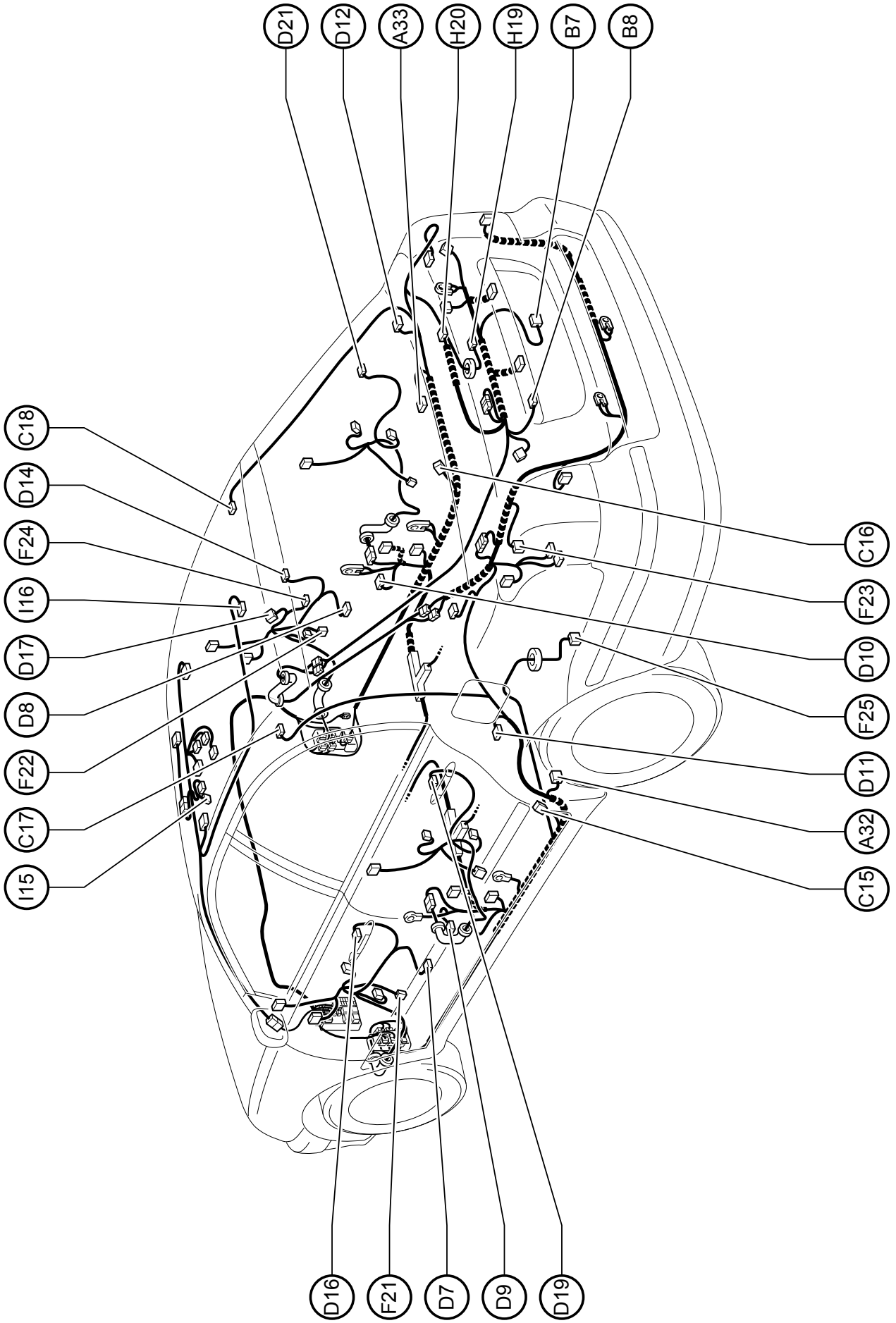
V 9





* 1:w/ Moon Roof
 * 2:w/ Tire Pressure Warning System





- A 32 ABS Speed Sensor Rear LH
- A 33 ABS Speed Sensor Rear RH

- B 7 Back Door Courtesy SW , Back Door Lock Motor (W/G)
- B 7 Back Door Courtesy SW , Back Door Lock Motor (L/B)
- B 8 Back Door Opener SW

- C 15 Curtain Shield Airbag Sensor LH
- C 16 Curtain Shield Airbag Sensor RH
- C 17 Curtain Shield Airbag Squib LH
- C 18 Curtain Shield Airbag Squib RH

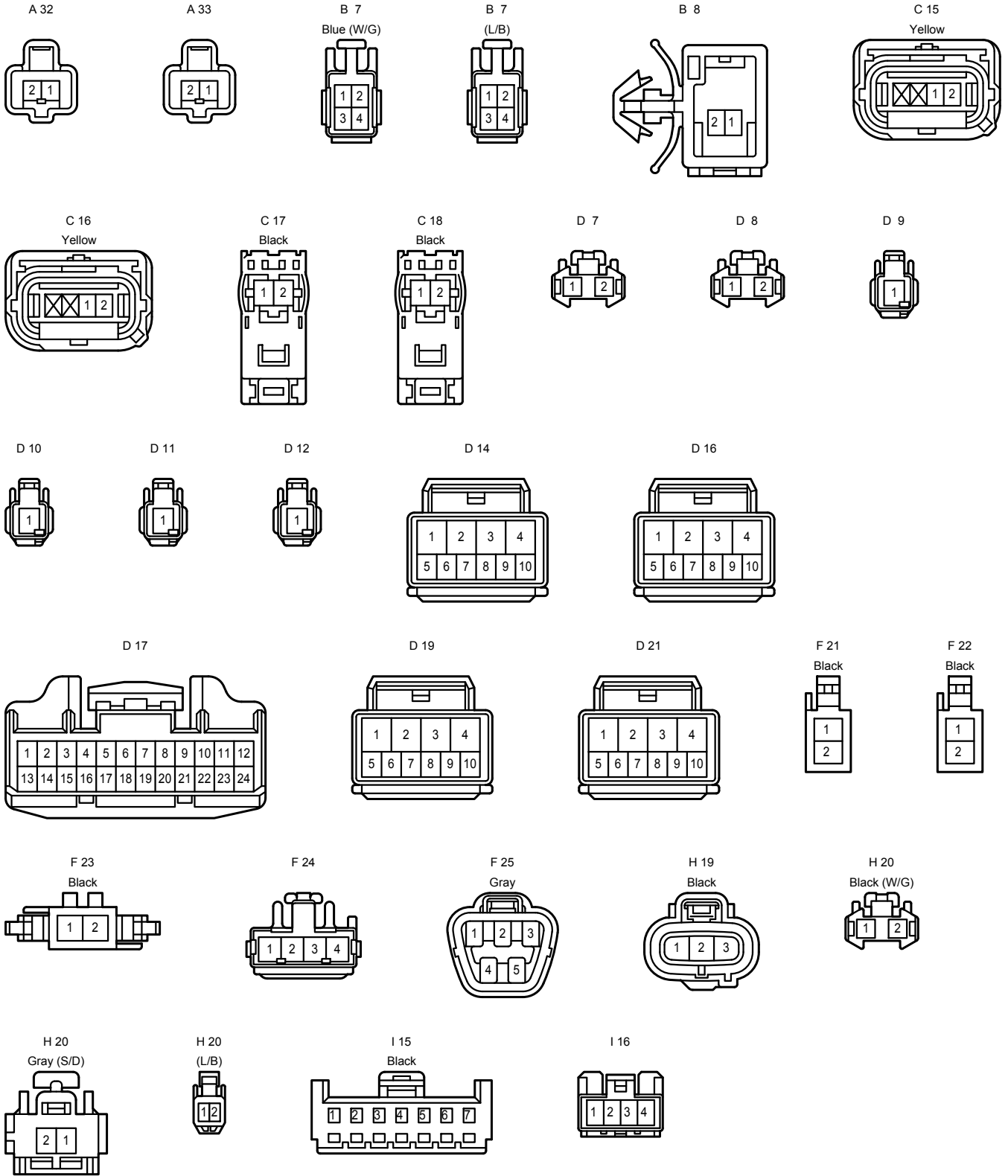
- D 7 Door Courtesy Light LH
- D 8 Door Courtesy Light RH
- D 9 Door Courtesy SW Front LH
- D 10 Door Courtesy SW Front RH
- D 11 Door Courtesy SW Rear LH
- D 12 Door Courtesy SW Rear RH
- D 14 Door Key Lock and Unlock SW (Driver's Side) , Door Lock Control Motor (Driver's Side) , Door Unlock Detection SW (Driver's Side) , Double Lock Motor (Driver's Side) , Double Lock Position SW (Driver's Side)
- D 16 Door Lock Control Motor (Front Passenger's Side) , Door Unlock Detection SW (Front Passenger's Side) , Double Lock Motor (Front Passenger's Side) , Double Lock Position SW (Front Passenger's Side)
- D 17 Door Lock Control SW , Power Window Master SW
- D 19 Door Lock Motor Rear LH , Door Unlock Detection SW Rear LH , Double Lock Motor Rear LH , Double Lock Position SW Rear LH
- D 21 Door Lock Motor Rear RH , Door Unlock Detection SW Rear RH , Double Lock Motor Rear RH , Double Lock Position SW Rear RH

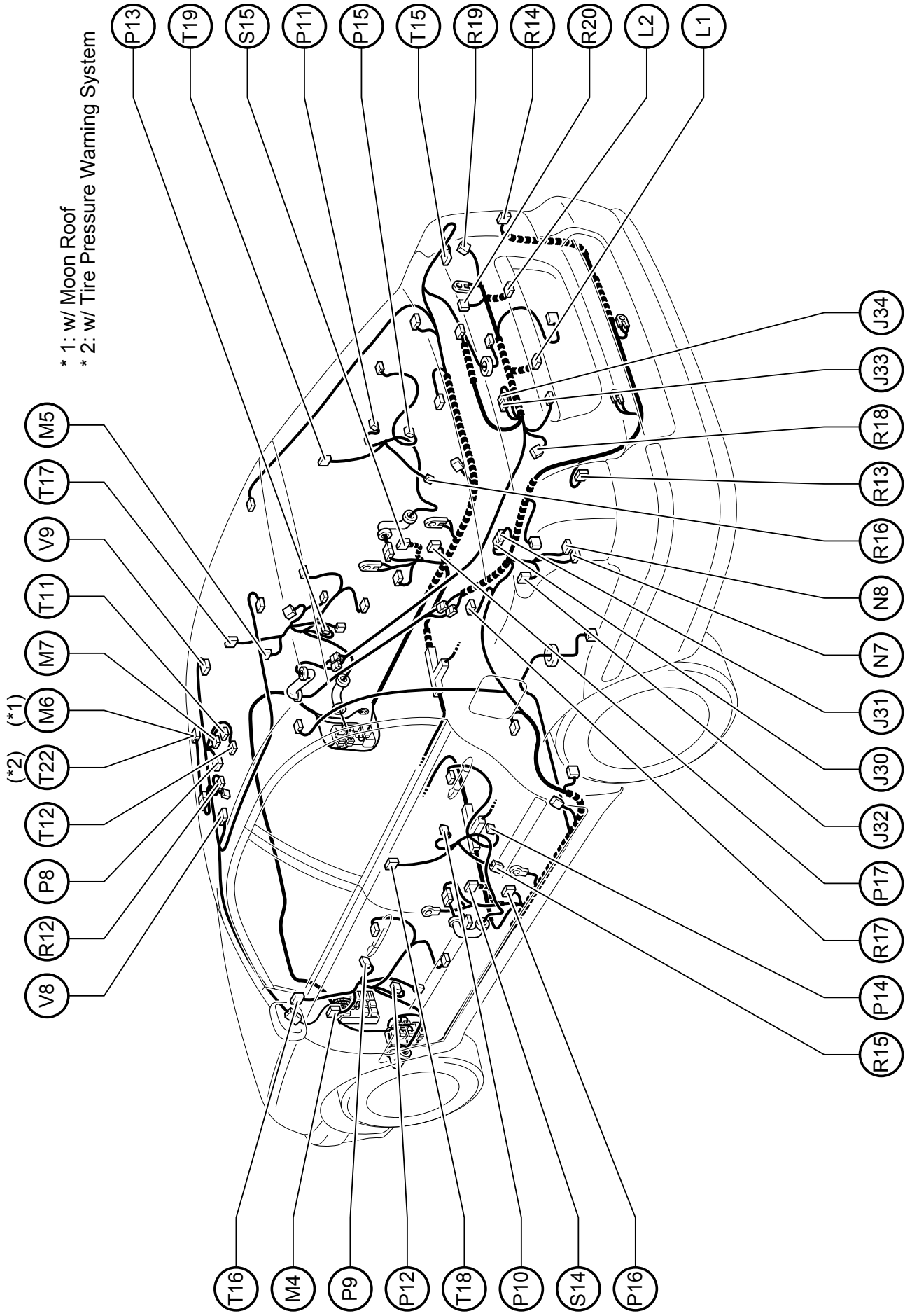
- F 21 Front Door Speaker LH
- F 22 Front Door Speaker RH
- F 23 Fuel Lid Opener Motor
- F 24 Fuel Lid Opener SW
- F 25 Fuel Pump , Fuel Sender

- H 19 Height Control Sensor (Rear)
- H 20 High Mounted Stop Light (W/G)
- H 20 High Mounted Stop Light (S/D)
- H 20 High Mounted Stop Light (L/B)

- I 15 Inner Mirror
- I 16 Interior Light

Position of Parts in Body <RHD L/B>





- J 30 Junction Connector
- J 31 Junction Connector
- J 32 Junction Connector
- J 33 Junction Connector
- J 34 Junction Connector

- L 1 License Plate Light LH
- L 2 License Plate Light RH

- M 4 Mirror Heater LH , Remote Control Mirror LH
- M 5 Mirror Heater RH , Remote Control Mirror RH
- M 6 Moon Roof Control Relay and Motor
- M 7 Moon Roof Control SW

- N 7 Noise Filter (Rear Window Defogger No.2)
- N 8 Noise Filter (Stop Light)

- P 8 Personal Light
- P 9 Power Window Control SW (Front Passenger Side)
- P 10 Power Window Control SW Rear LH
- P 11 Power Window Control SW Rear RH
- P 12 Power Window Motor Front LH
- P 13 Power Window Motor Front RH
- P 14 Power Window Motor Rear LH
- P 15 Power Window Motor Rear RH
- P 16 Pretensioner LH
- P 17 Pretensioner RH

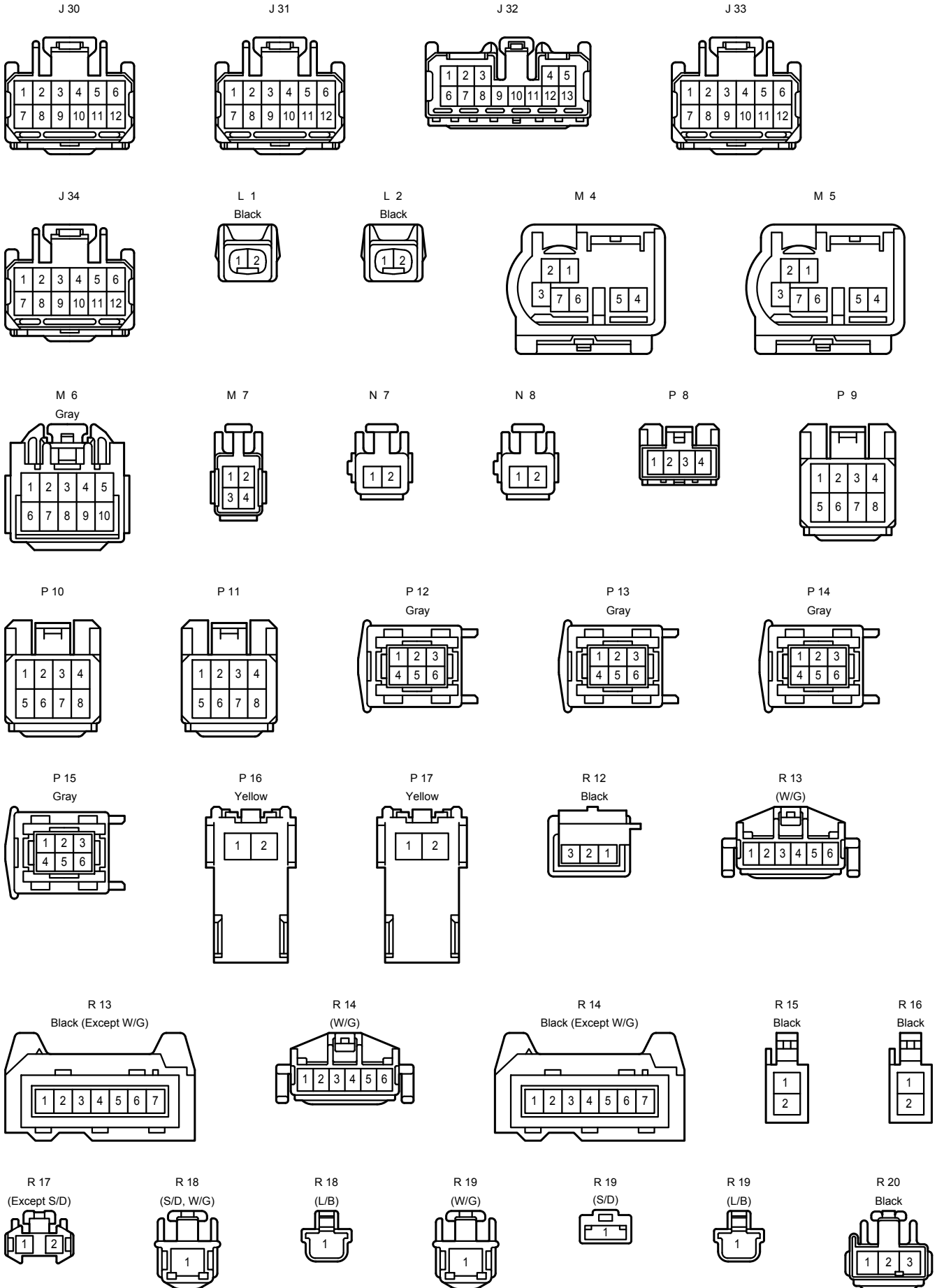
- R 12 Rain Sensor
- R 13 Rear Combination Light LH (W/G)
- R 13 Rear Combination Light LH (Except W/G)
- R 14 Rear Combination Light RH (W/G)
- R 14 Rear Combination Light RH (Except W/G)
- R 15 Rear Door Speaker LH
- R 16 Rear Door Speaker RH
- R 17 Rear Interior Light (Except S/D)
- R 18 Rear Window Defogger (S/D, W/G)
- R 18 Rear Window Defogger (L/B)
- R 19 Rear Window Defogger (W/G)
- R 19 Rear Window Defogger (S/D)
- R 19 Rear Window Defogger (L/B)
- R 20 Rear Wiper Motor and Relay

- S 14 Side Airbag Sensor LH (w/o Curtain Shield Airbag)
- S 14 Side Airbag Sensor LH (w/ Curtain Shield Airbag)
- S 15 Side Airbag Sensor RH (w/o Curtain Shield Airbag)
- S 15 Side Airbag Sensor RH (w/ Curtain Shield Airbag)

- T 11 Telephone Microphone Amplifier
- T 12 Theft Warning Ultrasonic Sensor
- T 15 Theft Warning Siren
- T 16 Tweeter Front LH
- T 17 Tweeter Front RH
- T 18 Tweeter Rear LH
- T 19 Tweeter Rear RH
- T 22 Tire Pressure Monitor Receiver

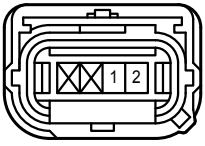
- V 8 Vanity Light LH
- V 9 Vanity Light RH

Position of Parts in Body <RHD L/B>

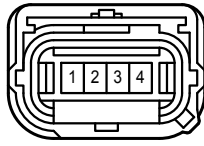


Position of Parts in Body <RHD L/B>

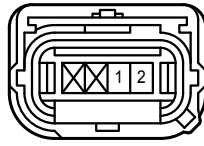
S 14
Yellow (w/o Curtain Shield Airbag)



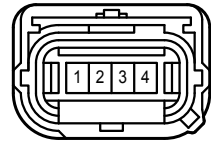
S 14
Yellow (w/ Curtain Shield Airbag)



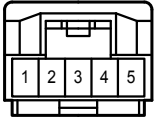
S 15
Yellow (w/o Curtain Shield Airbag)



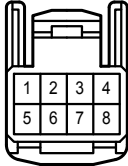
S 15
Yellow (w/ Curtain Shield Airbag)



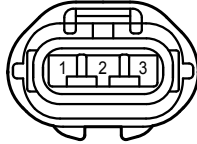
T 11



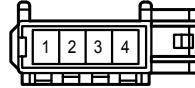
T 12



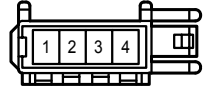
T 15
Black



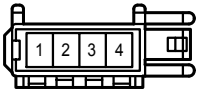
T 16



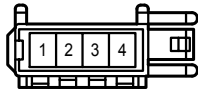
T 17



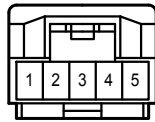
T 18



T 19



T 22

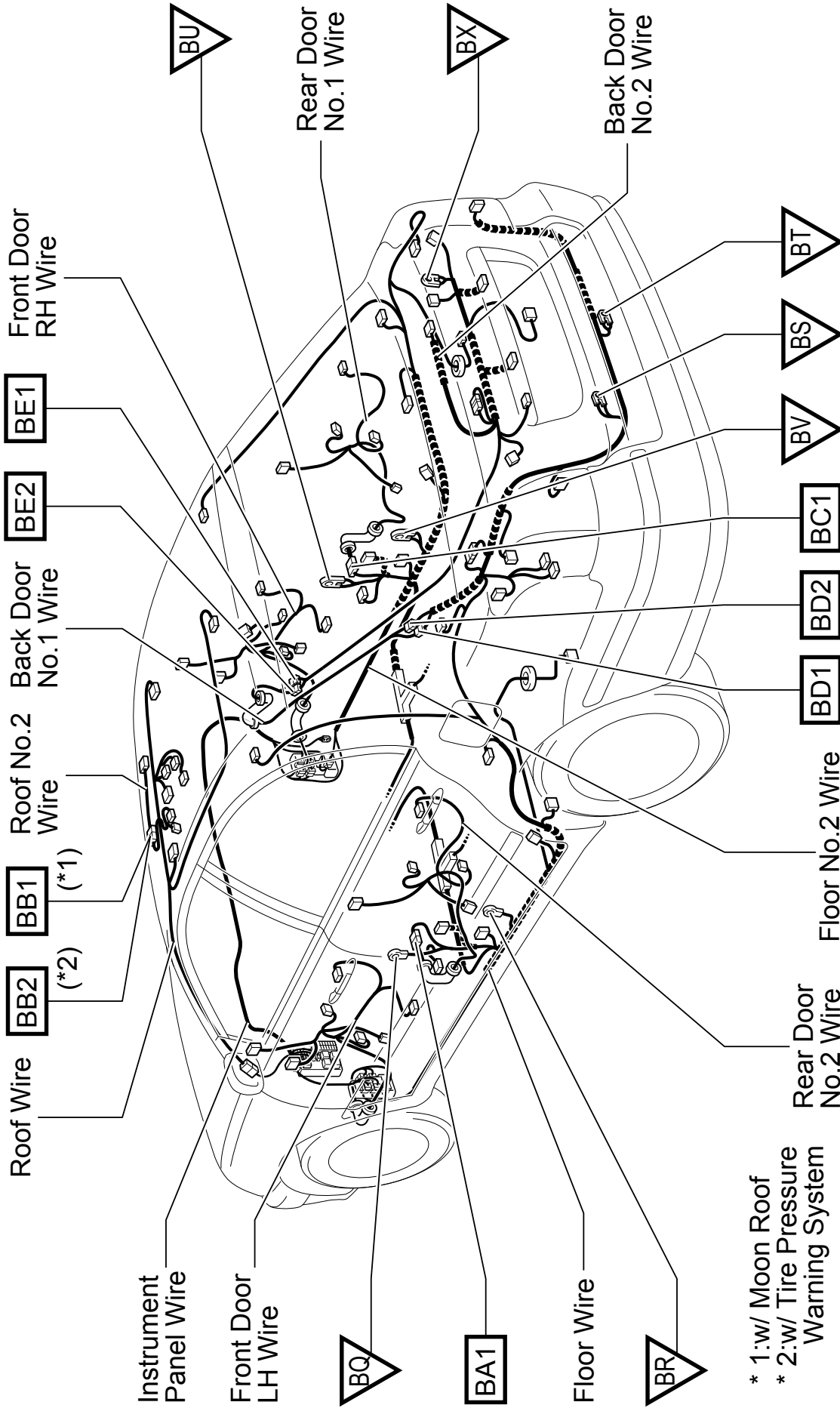


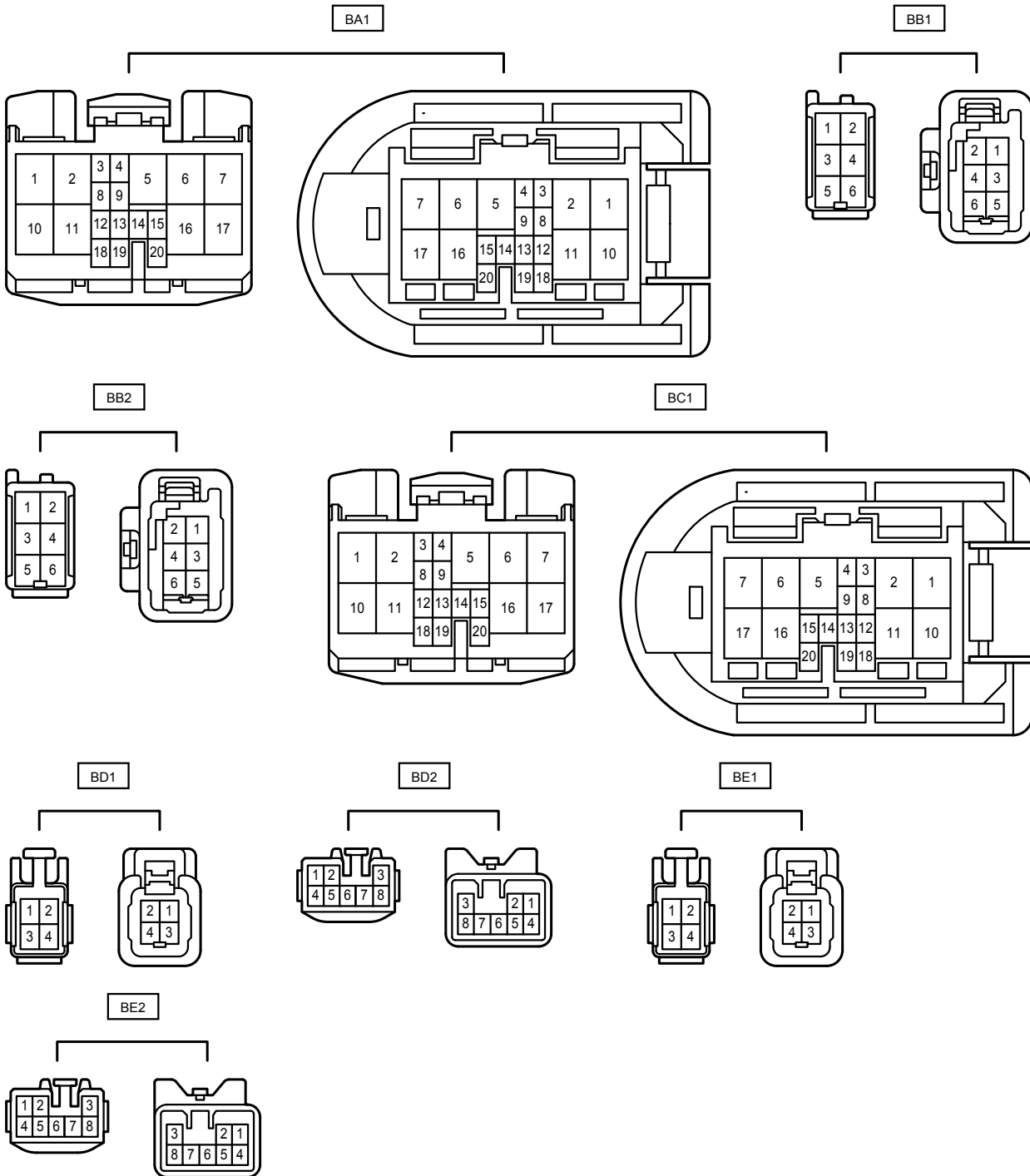
V 8

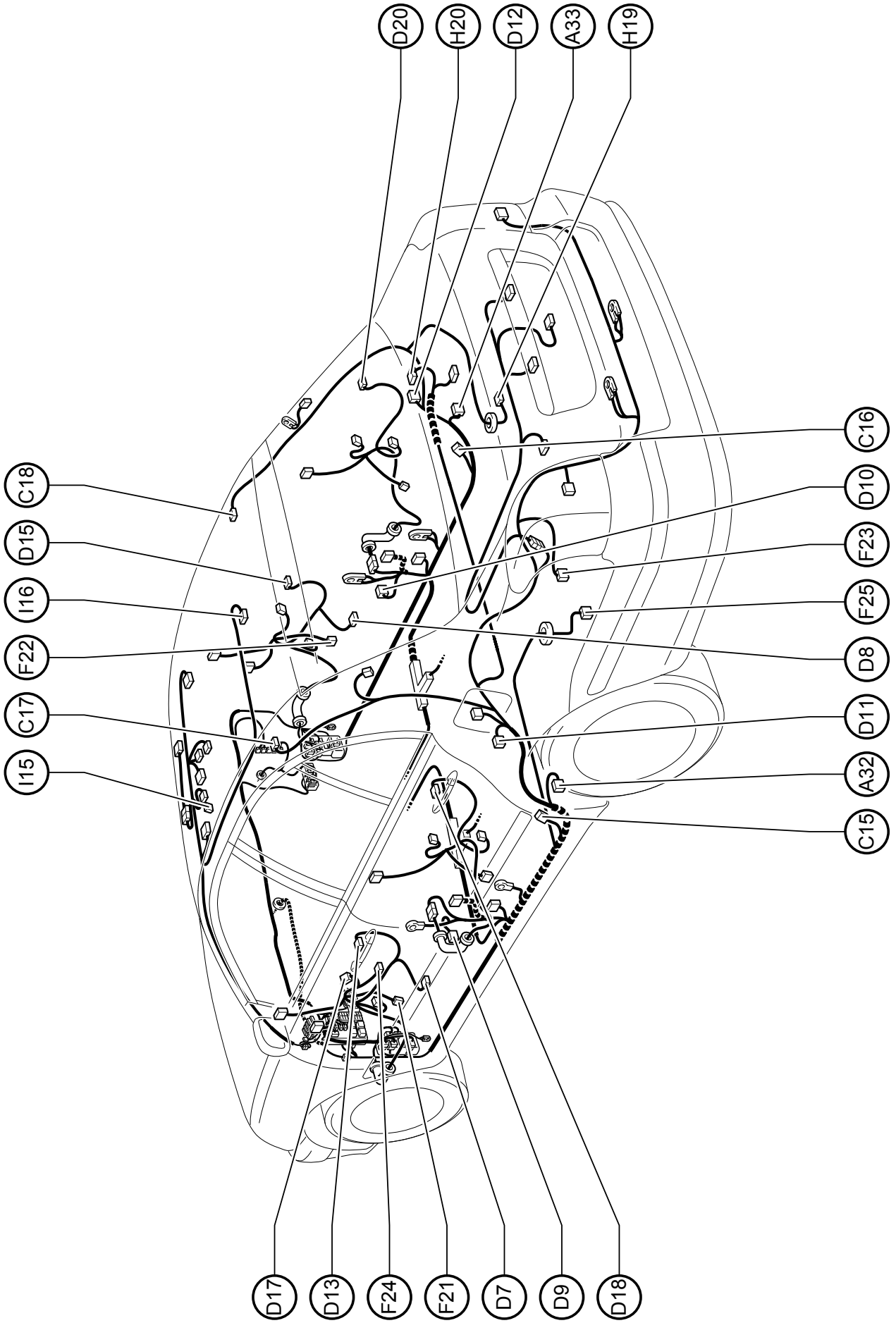


V 9









- A 32 ABS Speed Sensor Rear LH
- A 33 ABS Speed Sensor Rear RH

- C 15 Curtain Shield Airbag Sensor LH
- C 16 Curtain Shield Airbag Sensor RH
- C 17 Curtain Shield Airbag Squib LH
- C 18 Curtain Shield Airbag Squib RH

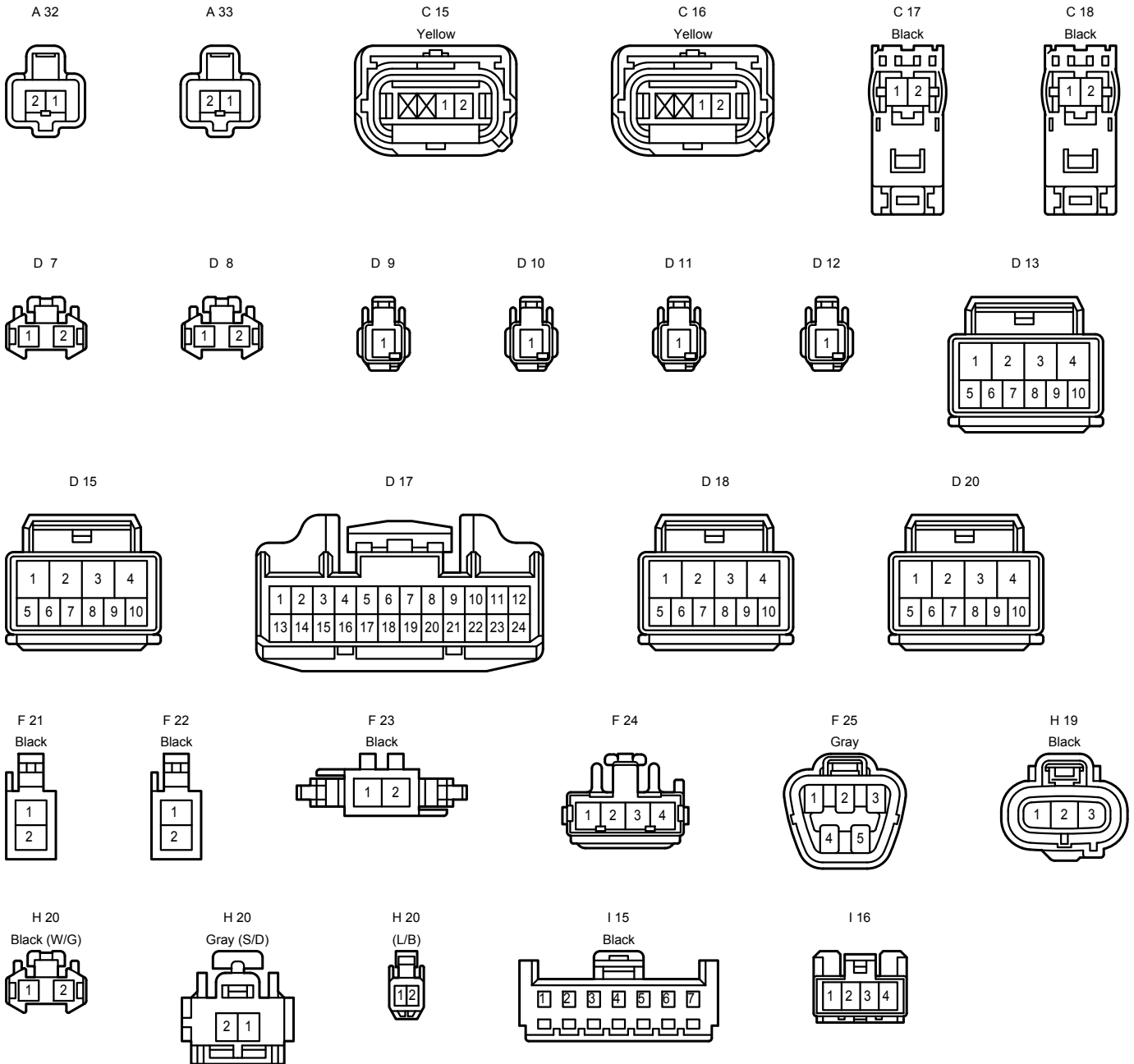
- D 7 Door Courtesy Light LH
- D 8 Door Courtesy Light RH
- D 9 Door Courtesy SW Front LH
- D 10 Door Courtesy SW Front RH
- D 11 Door Courtesy SW Rear LH
- D 12 Door Courtesy SW Rear RH
- D 13 Door Key Lock and Unlock SW (Driver's Side) , Door Lock Control Motor (Driver's Side) , Door Unlock Detection SW (Driver's Side)
- D 15 Door Lock Control Motor (Front Passenger's Side)
- D 17 Door Lock Control SW , Power Window Master SW
- D 18 Door Lock Motor Rear LH
- D 20 Door Lock Motor Rear RH

- F 21 Front Door Speaker LH
- F 22 Front Door Speaker RH
- F 23 Fuel Lid Opener Motor
- F 24 Fuel Lid Opener SW
- F 25 Fuel Pump , Fuel Sender

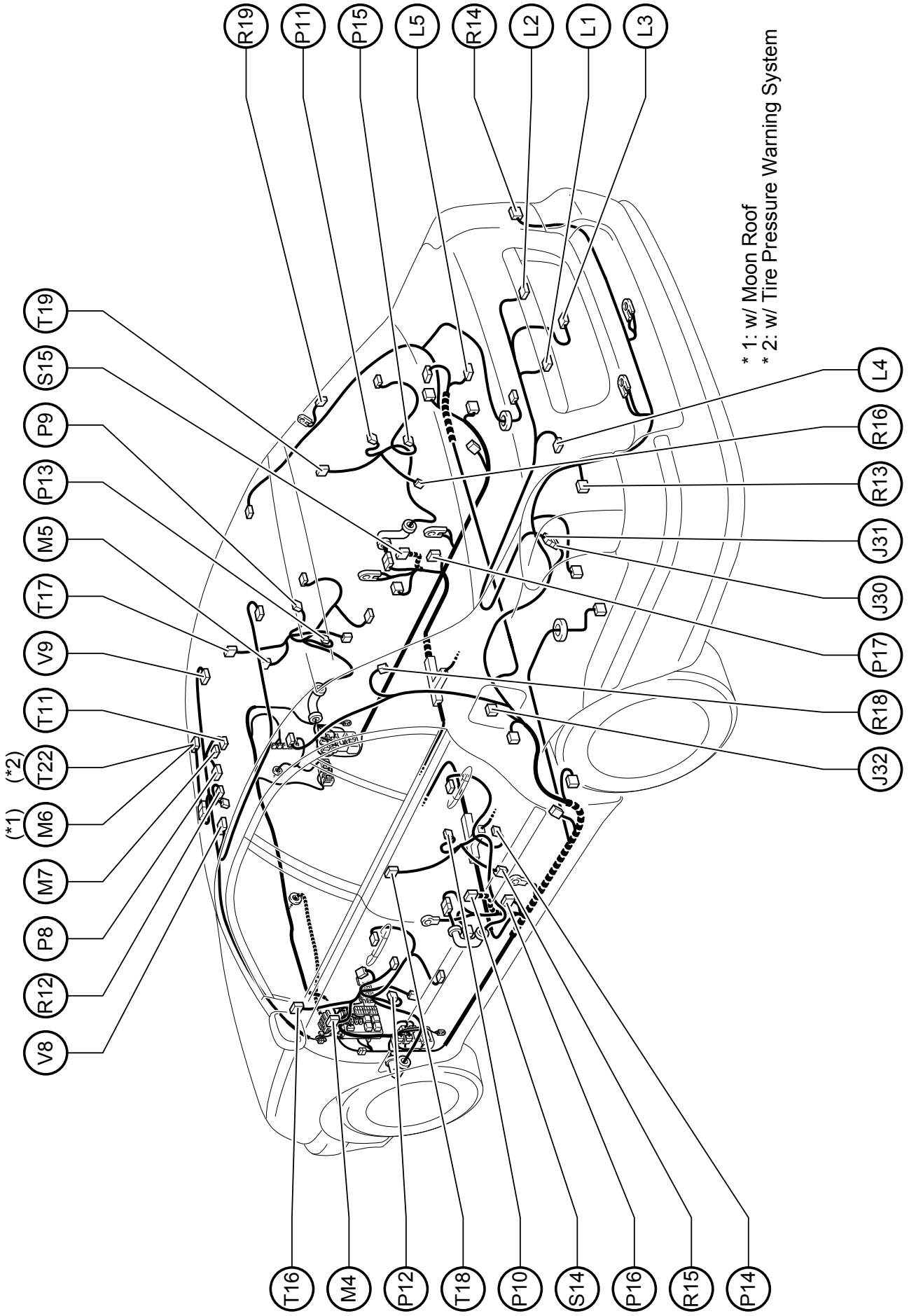
- H 19 Height Control Sensor (Rear)
- H 20 High Mounted Stop Light (W/G)
- H 20 High Mounted Stop Light (S/D)
- H 20 High Mounted Stop Light (L/B)

- I 15 Inner Mirror
- I 16 Interior Light

Position of Parts in Body <LHD S/D>



Position of Parts in Body <LHD S/D>



* 1: w/ Moon Roof
 * 2: w/ Tire Pressure Warning System

- J 30 Junction Connector
- J 31 Junction Connector
- J 32 Junction Connector

- L 1 License Plate Light LH
- L 2 License Plate Light RH
- L 3 Luggage Compartment Door Lock Motor , Luggage Compartment Light SW
- L 4 Luggage Compartment Door Opener SW
- L 5 Luggage Compartment Light

- M 4 Mirror Heater LH , Remote Control Mirror LH
- M 5 Mirror Heater RH , Remote Control Mirror RH
- M 6 Moon Roof Control Relay and Motor
- M 7 Moon Roof Control SW

- P 8 Personal Light
- P 9 Power Window Control SW (Front Passenger Side)
- P 10 Power Window Control SW Rear LH
- P 11 Power Window Control SW Rear RH
- P 12 Power Window Motor Front LH
- P 13 Power Window Motor Front RH
- P 14 Power Window Motor Rear LH
- P 15 Power Window Motor Rear RH
- P 16 Pretensioner LH
- P 17 Pretensioner RH

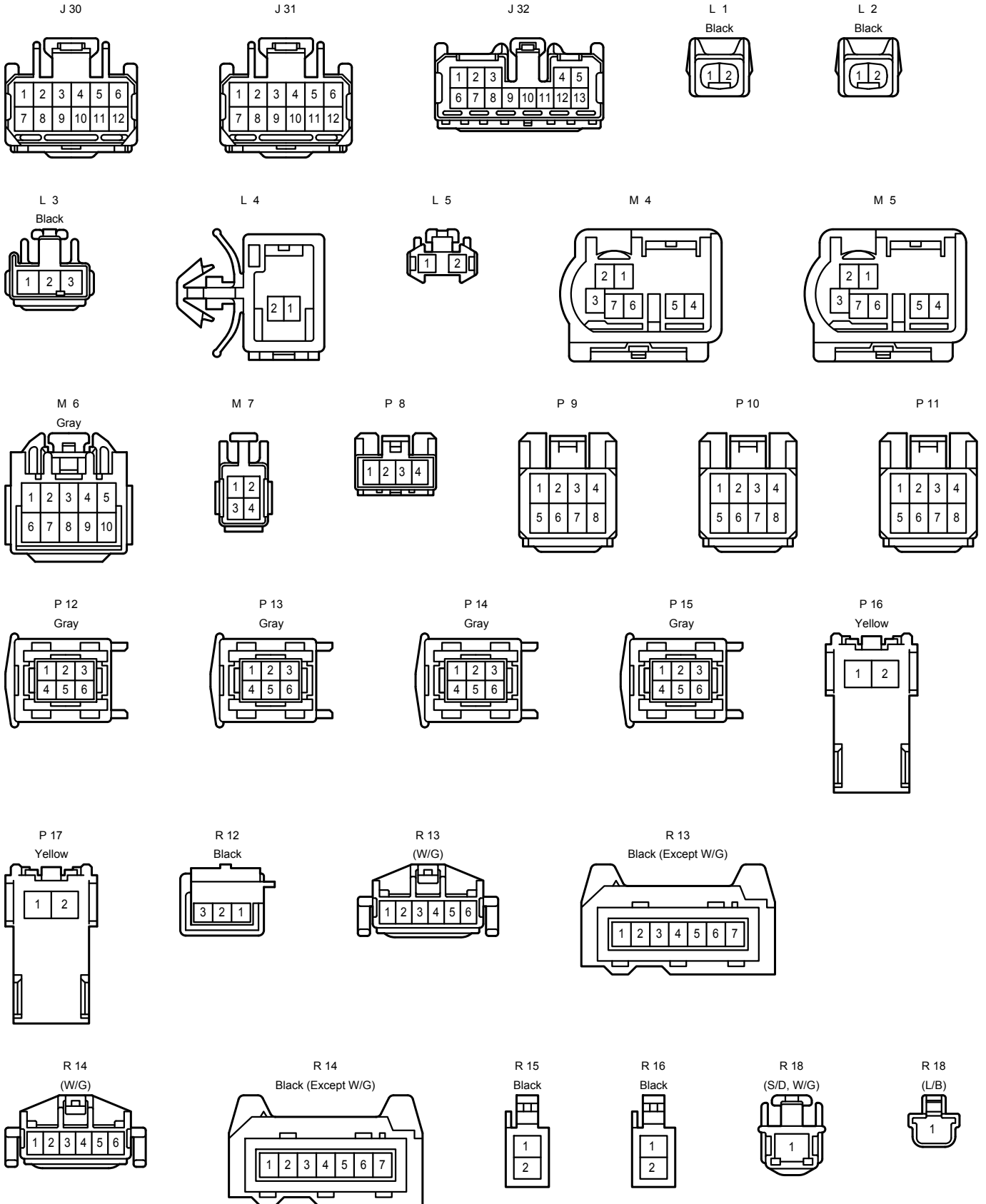
- R 12 Rain Sensor
- R 13 Rear Combination Light LH (W/G)
- R 13 Rear Combination Light LH (Except W/G)
- R 14 Rear Combination Light RH (W/G)
- R 14 Rear Combination Light RH (Except W/G)
- R 15 Rear Door Speaker LH
- R 16 Rear Door Speaker RH
- R 18 Rear Window Defogger (S/D, W/G)
- R 18 Rear Window Defogger (L/B)
- R 19 Rear Window Defogger (W/G)
- R 19 Rear Window Defogger (S/D)
- R 19 Rear Window Defogger (L/B)

- S 14 Side Airbag Sensor LH (w/o Curtain Shield Airbag)
- S 14 Side Airbag Sensor LH (w/ Curtain Shield Airbag)
- S 15 Side Airbag Sensor RH (w/o Curtain Shield Airbag)
- S 15 Side Airbag Sensor RH (w/ Curtain Shield Airbag)

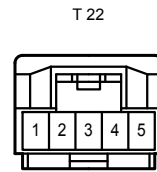
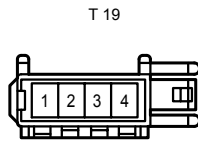
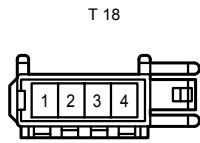
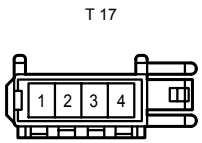
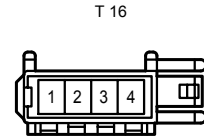
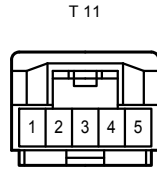
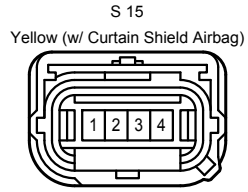
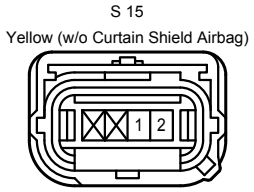
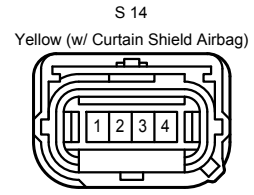
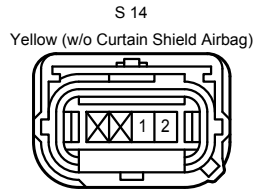
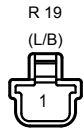
- T 11 Telephone Microphone Amplifier
- T 16 Tweeter Front LH
- T 17 Tweeter Front RH
- T 18 Tweeter Rear LH
- T 19 Tweeter Rear RH
- T 22 Tire Pressure Monitor Receiver

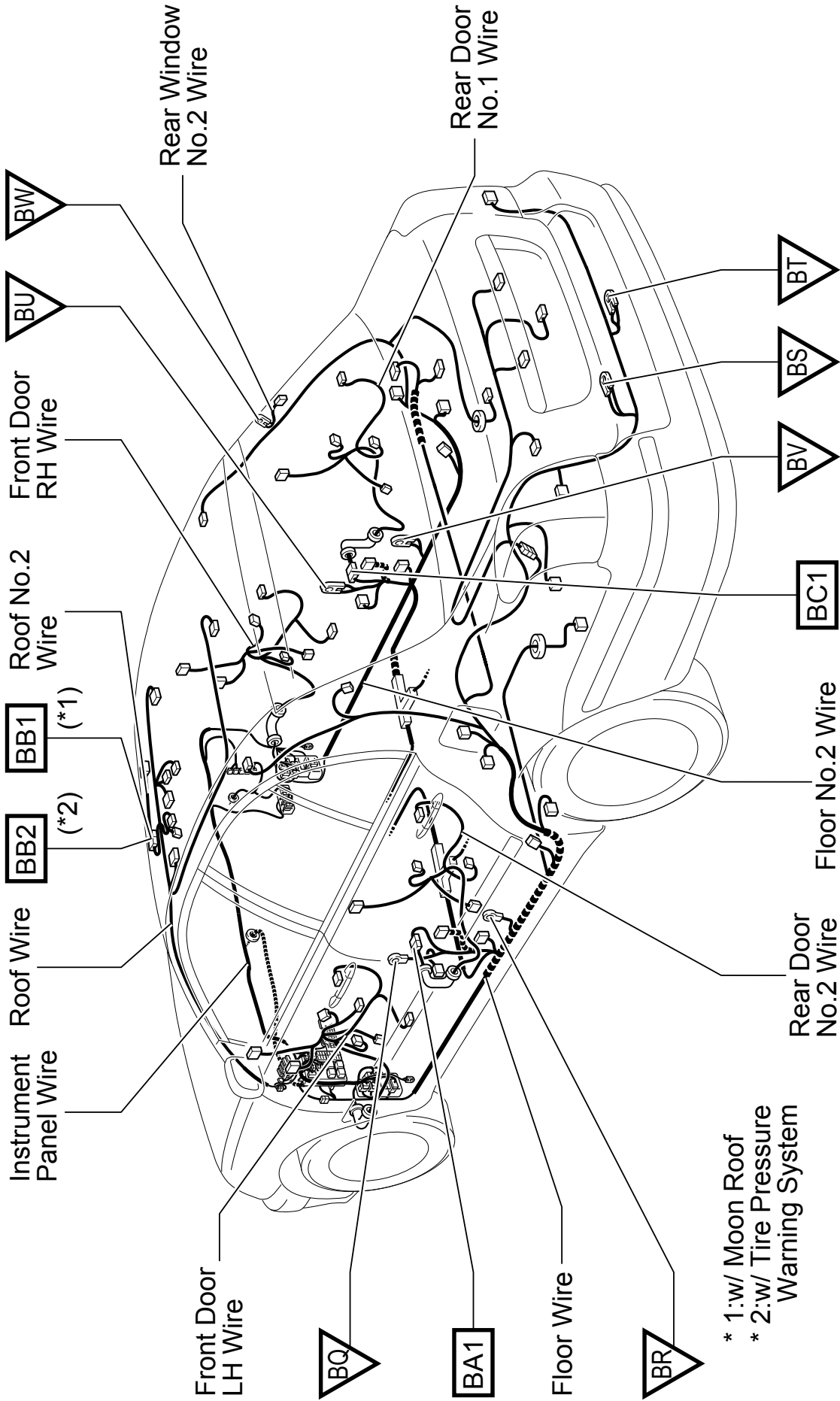
- V 8 Vanity Light LH
- V 9 Vanity Light RH

Position of Parts in Body <LHD S/D>



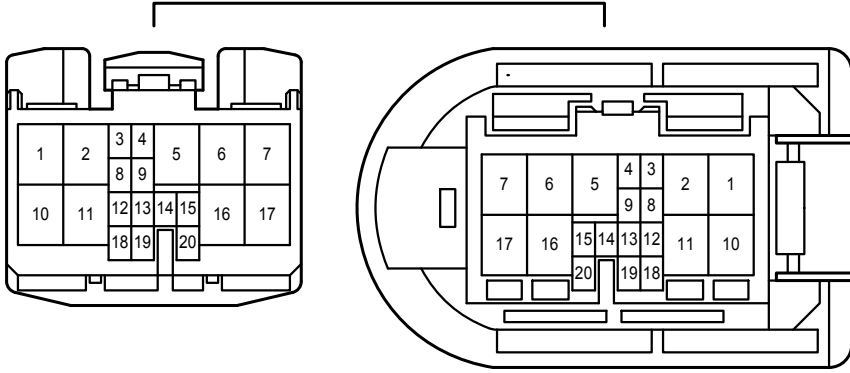
Position of Parts in Body <LHD S/D>



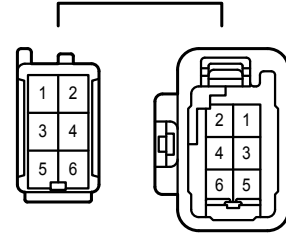


* 1:w/ Moon Roof
 * 2:w/ Tire Pressure Warning System

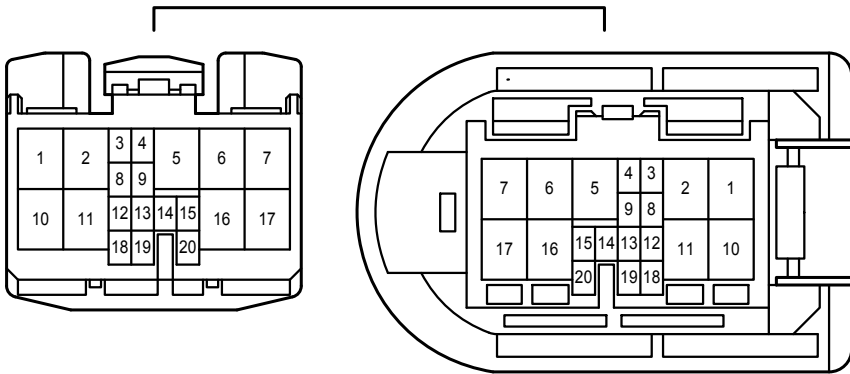
BA1

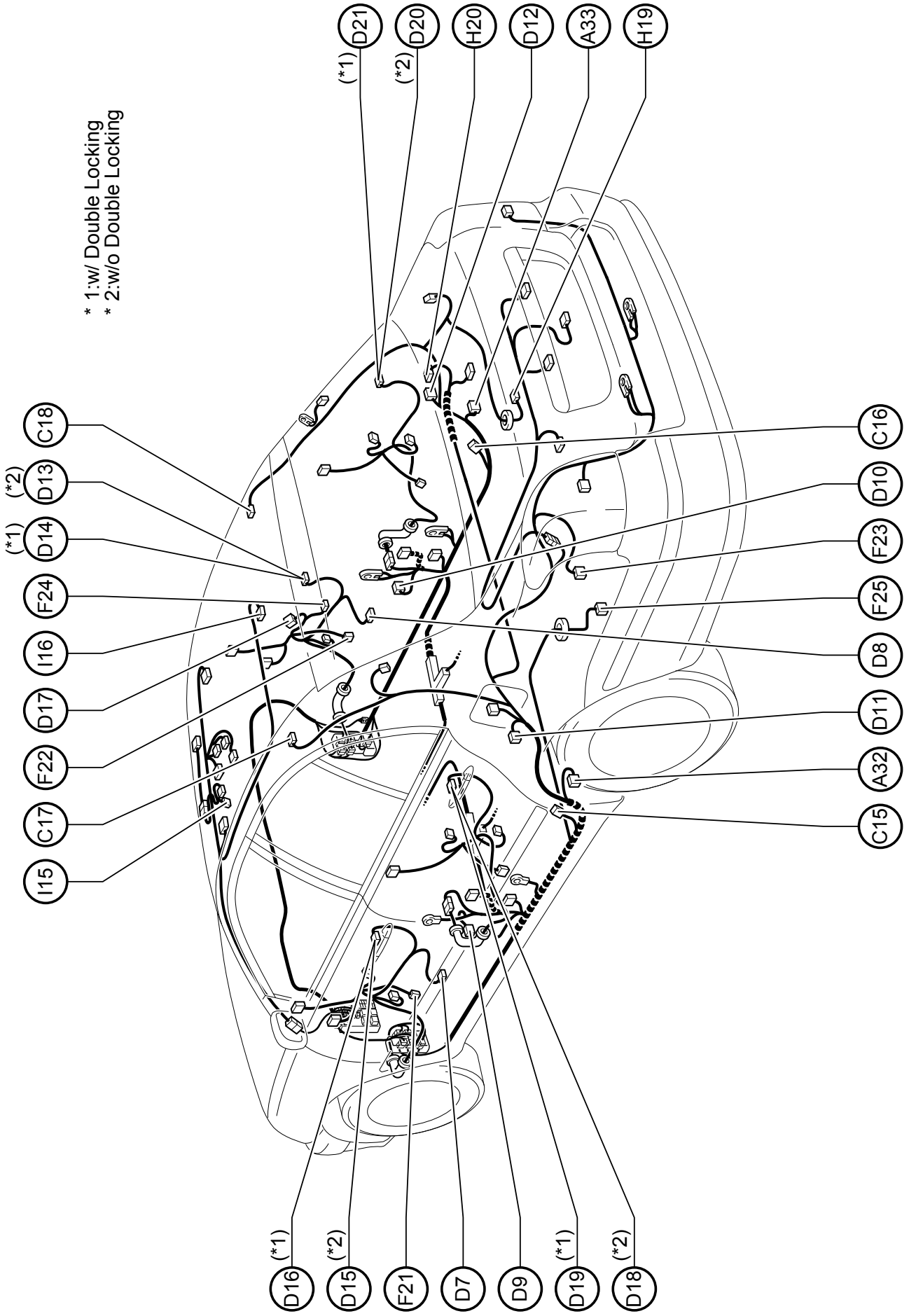


BB1



BC1





- A 32 ABS Speed Sensor Rear LH
- A 33 ABS Speed Sensor Rear RH

- C 15 Curtain Shield Airbag Sensor LH
- C 16 Curtain Shield Airbag Sensor RH
- C 17 Curtain Shield Airbag Squib LH
- C 18 Curtain Shield Airbag Squib RH

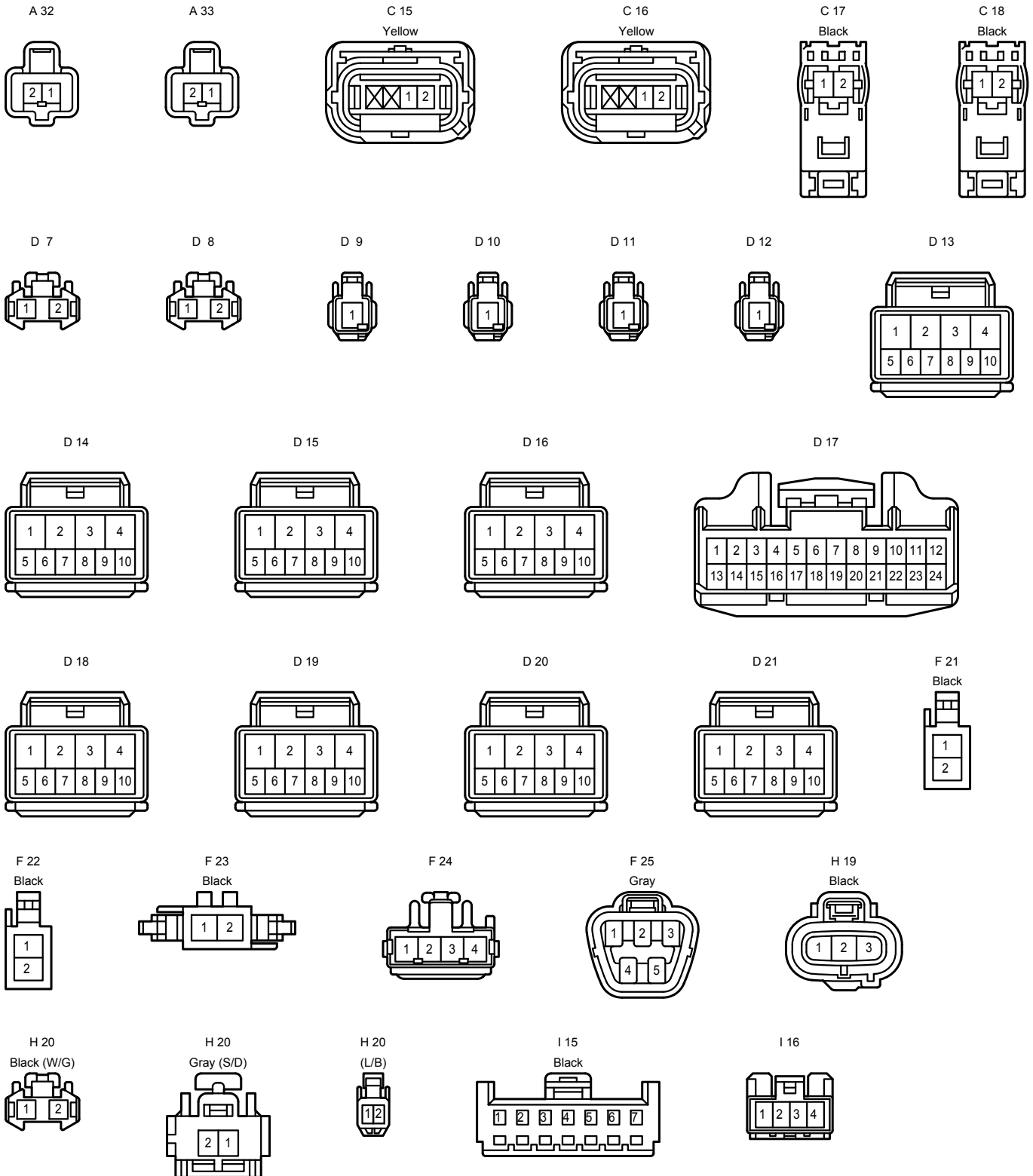
- D 7 Door Courtesy Light LH
- D 8 Door Courtesy Light RH
- D 9 Door Courtesy SW Front LH
- D 10 Door Courtesy SW Front RH
- D 11 Door Courtesy SW Rear LH
- D 12 Door Courtesy SW Rear RH
- D 13 Door Key Lock and Unlock SW (Driver's Side) , Door Lock Control Motor (Driver's Side) , Door Unlock Detection SW (Driver's Side)
- D 14 Door Key Lock and Unlock SW (Driver's Side) , Door Lock Control Motor (Driver's Side) , Door Unlock Detection SW (Driver's Side) , Double Lock Motor (Driver's Side) , Double Lock Position SW (Driver's Side)
- D 15 Door Lock Control Motor (Front Passenger's Side)
- D 16 Door Lock Control Motor (Front Passenger's Side) , Door Unlock Detection SW (Front Passenger's Side) , Double Lock Motor (Front Passenger's Side) , Double Lock Position SW (Front Passenger's Side)
- D 17 Door Lock Control SW , Power Window Master SW
- D 18 Door Lock Motor Rear LH
- D 19 Door Lock Motor Rear LH , Door Unlock Detection SW Rear LH , Double Lock Motor Rear LH , Double Lock Position SW Rear LH
- D 20 Door Lock Motor Rear RH
- D 21 Door Lock Motor Rear RH , Door Unlock Detection SW Rear RH , Double Lock Motor Rear RH , Double Lock Position SW Rear RH

- F 21 Front Door Speaker LH
- F 22 Front Door Speaker RH
- F 23 Fuel Lid Opener Motor
- F 24 Fuel Lid Opener SW
- F 25 Fuel Pump , Fuel Sender

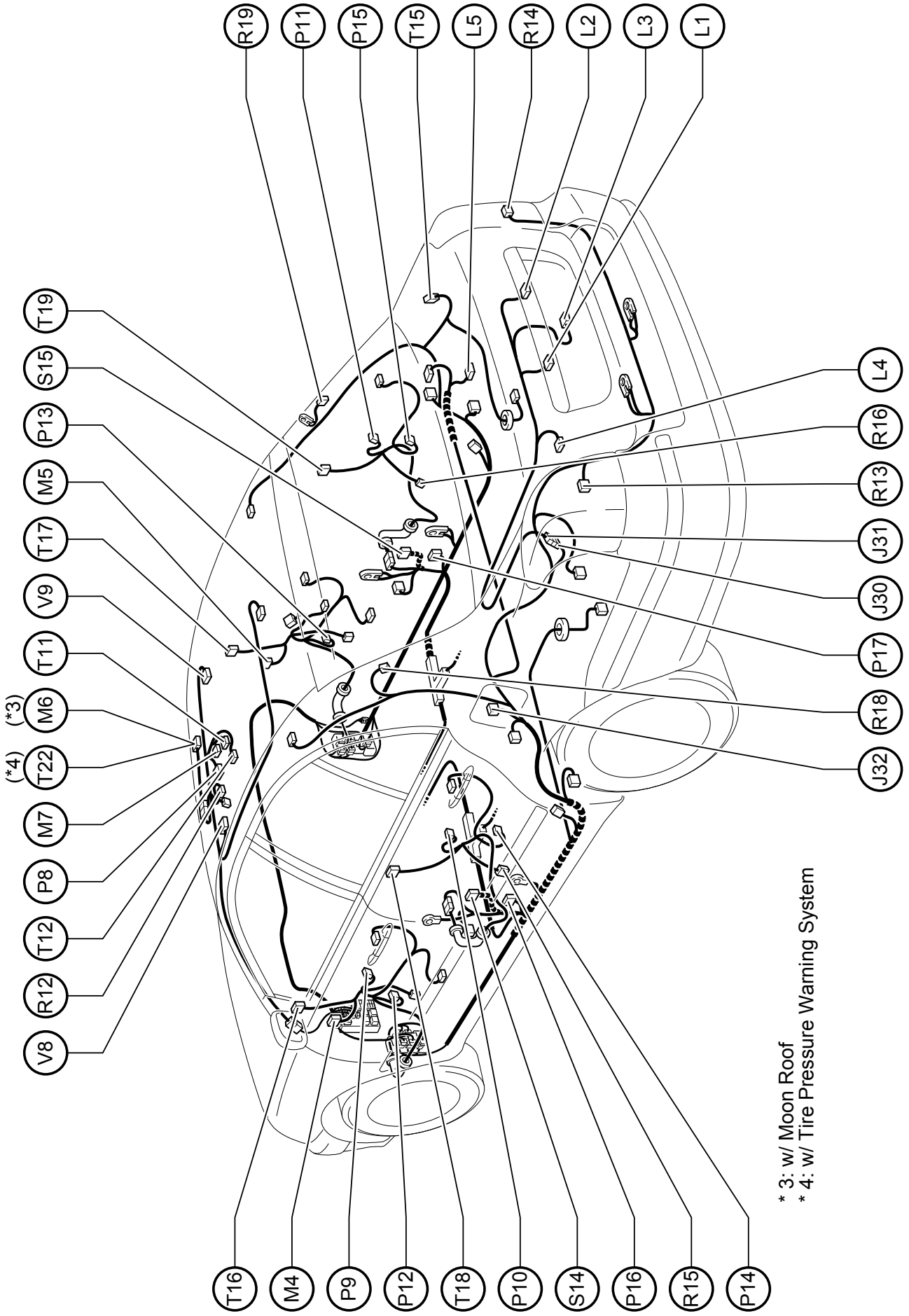
- H 19 Height Control Sensor (Rear)
- H 20 High Mounted Stop Light (W/G)
- H 20 High Mounted Stop Light (S/D)
- H 20 High Mounted Stop Light (L/B)

- I 15 Inner Mirror
- I 16 Interior Light

Position of Parts in Body <RHD S/D>



Position of Parts in Body <RHD S/D>



* 3: w/ Moon Roof
* 4: w/ Tire Pressure Warning System

- J 30 Junction Connector
- J 31 Junction Connector
- J 32 Junction Connector

- L 1 License Plate Light LH
- L 2 License Plate Light RH
- L 3 Luggage Compartment Door Lock Motor , Luggage Compartment Light SW
- L 4 Luggage Compartment Door Opener SW
- L 5 Luggage Compartment Light

- M 4 Mirror Heater LH , Remote Control Mirror LH
- M 5 Mirror Heater RH , Remote Control Mirror RH
- M 6 Moon Roof Control Relay and Motor
- M 7 Moon Roof Control SW

- P 8 Personal Light
- P 9 Power Window Control SW (Front Passenger Side)
- P 10 Power Window Control SW Rear LH
- P 11 Power Window Control SW Rear RH
- P 12 Power Window Motor Front LH
- P 13 Power Window Motor Front RH
- P 14 Power Window Motor Rear LH
- P 15 Power Window Motor Rear RH
- P 16 Pretensioner LH
- P 17 Pretensioner RH

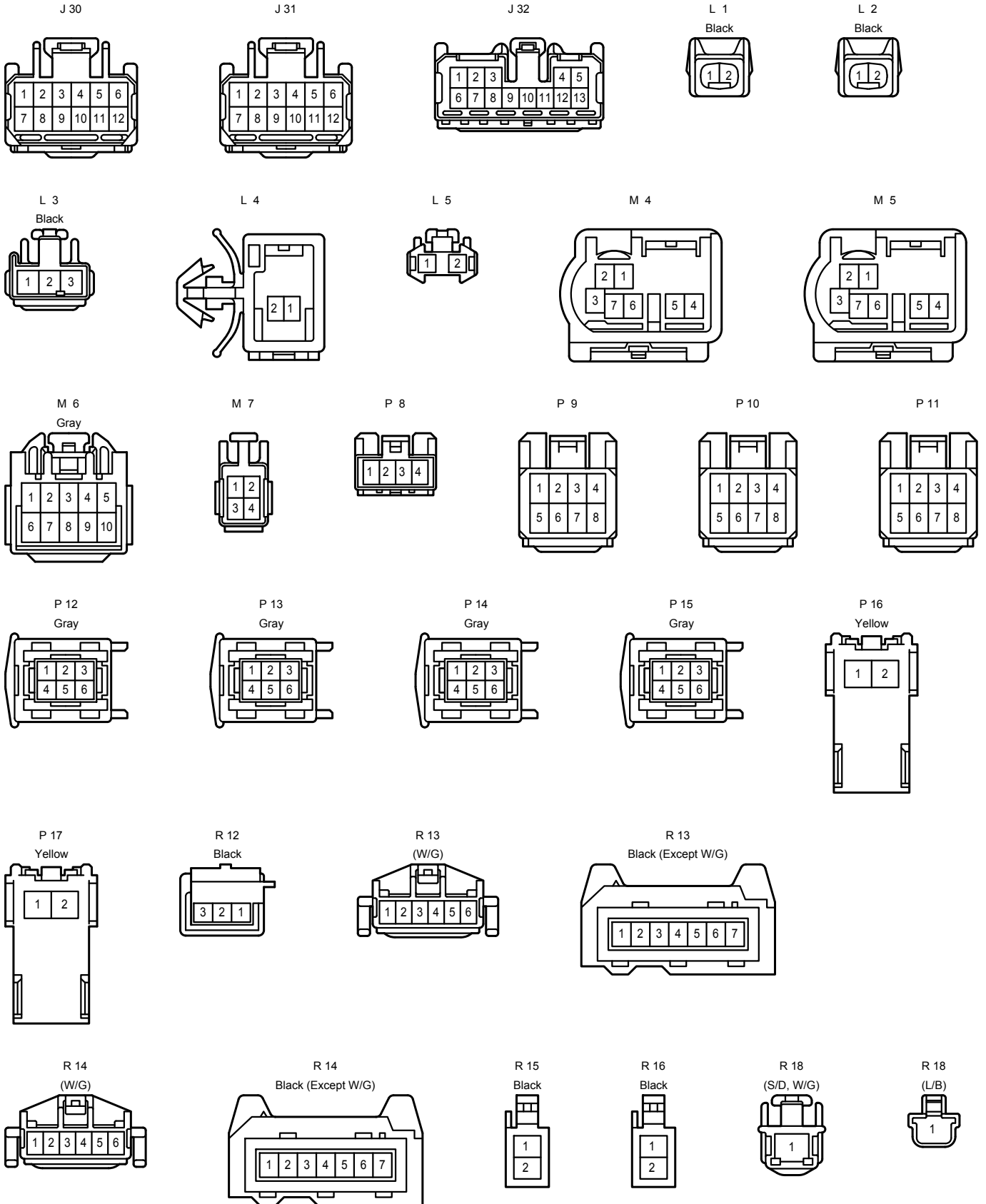
- R 12 Rain Sensor
- R 13 Rear Combination Light LH (W/G)
- R 13 Rear Combination Light LH (Except W/G)
- R 14 Rear Combination Light RH (W/G)
- R 14 Rear Combination Light RH (Except W/G)
- R 15 Rear Door Speaker LH
- R 16 Rear Door Speaker RH
- R 18 Rear Window Defogger (S/D, W/G)
- R 18 Rear Window Defogger (L/B)
- R 19 Rear Window Defogger (W/G)
- R 19 Rear Window Defogger (S/D)
- R 19 Rear Window Defogger (L/B)

- S 14 Side Airbag Sensor LH (w/o Curtain Shield Airbag)
- S 14 Side Airbag Sensor LH (w/ Curtain Shield Airbag)
- S 15 Side Airbag Sensor RH (w/o Curtain Shield Airbag)
- S 15 Side Airbag Sensor RH (w/ Curtain Shield Airbag)

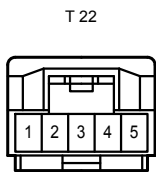
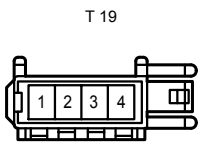
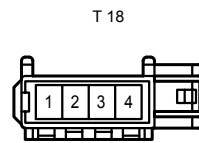
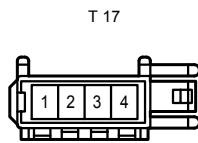
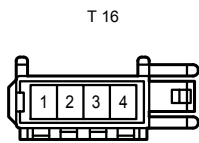
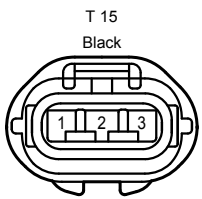
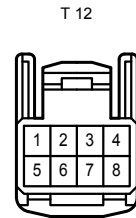
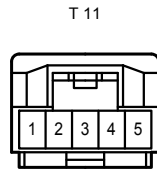
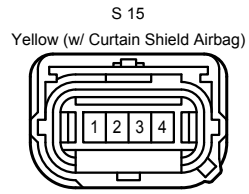
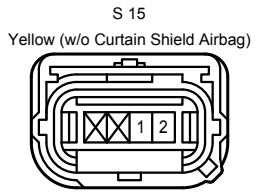
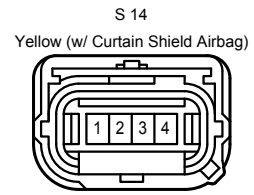
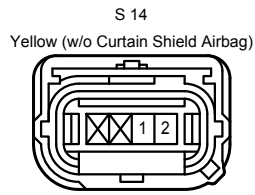
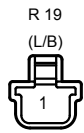
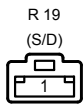
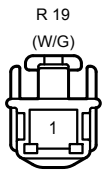
- T 11 Telephone Microphone Amplifier
- T 12 Theft Warning Ultrasonic Sensor
- T 15 Theft Warning Siren
- T 16 Tweeter Front LH
- T 17 Tweeter Front RH
- T 18 Tweeter Rear LH
- T 19 Tweeter Rear RH
- T 22 Tire Pressure Monitor Receiver

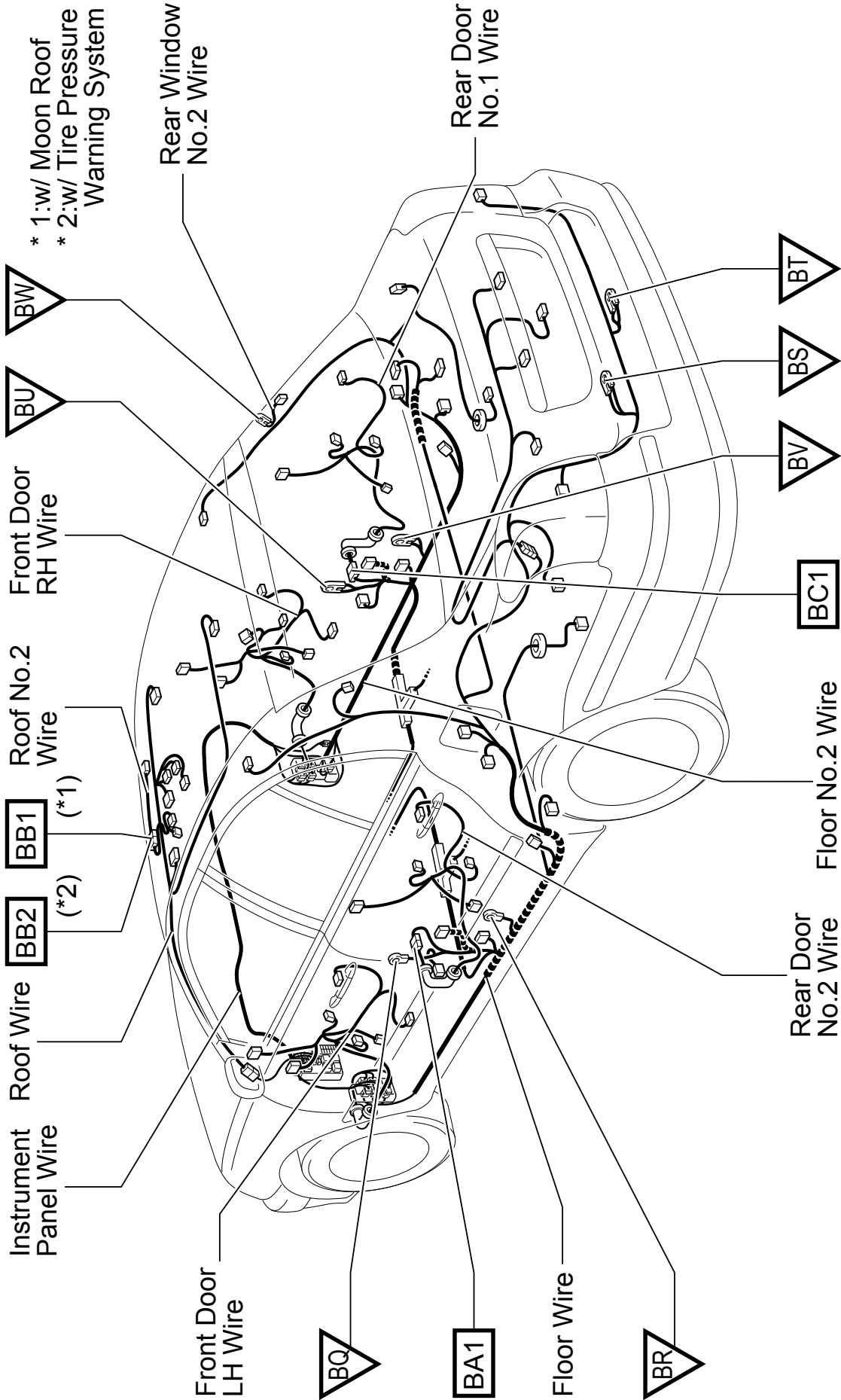
- V 8 Vanity Light LH
- V 9 Vanity Light RH

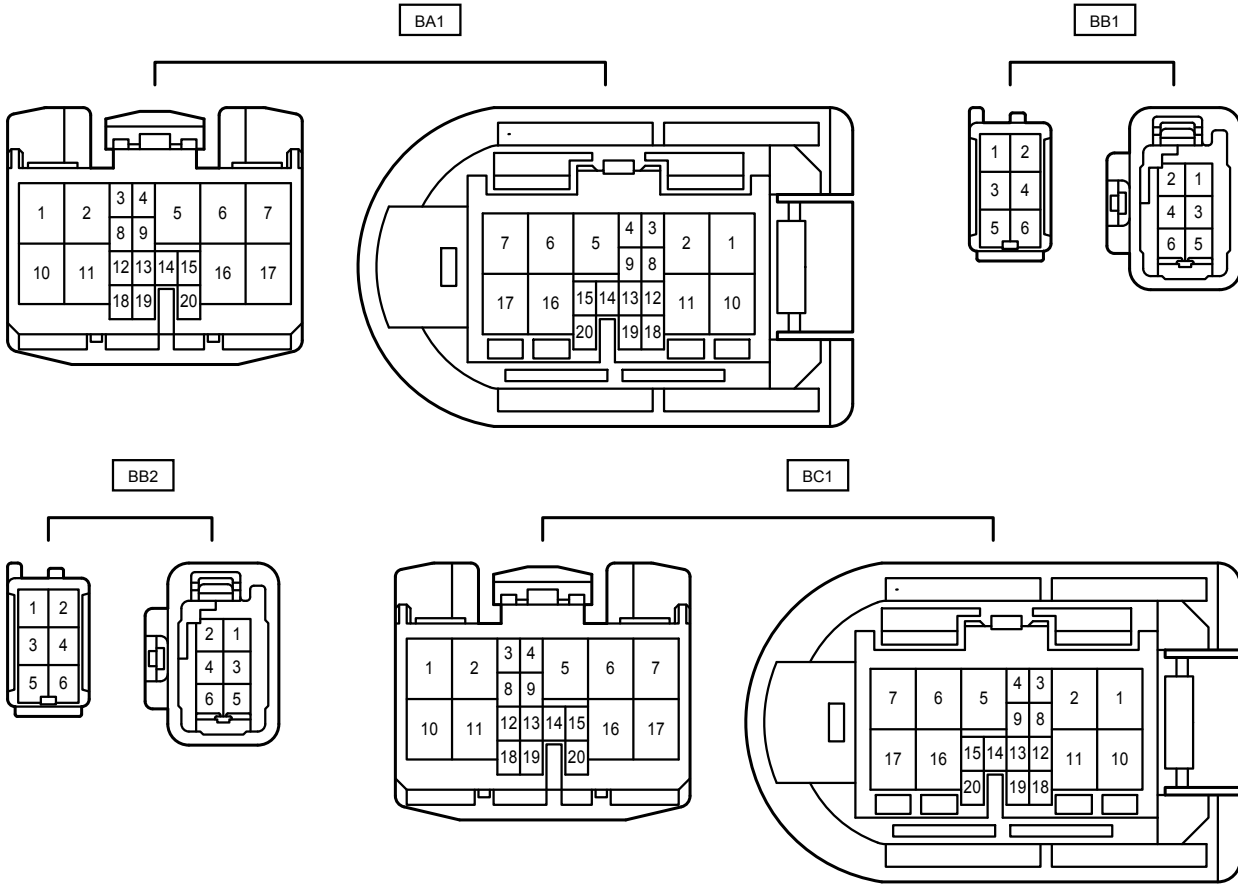
Position of Parts in Body <RHD S/D>



Position of Parts in Body <RHD S/D>









- A 32 ABS Speed Sensor Rear LH
- A 33 ABS Speed Sensor Rear RH

- B 7 Back Door Courtesy SW , Back Door Lock Motor (W/G)
- B 7 Back Door Courtesy SW , Back Door Lock Motor (L/B)
- B 8 Back Door Opener SW

- C 15 Curtain Shield Airbag Sensor LH
- C 16 Curtain Shield Airbag Sensor RH
- C 17 Curtain Shield Airbag Squib LH
- C 18 Curtain Shield Airbag Squib RH

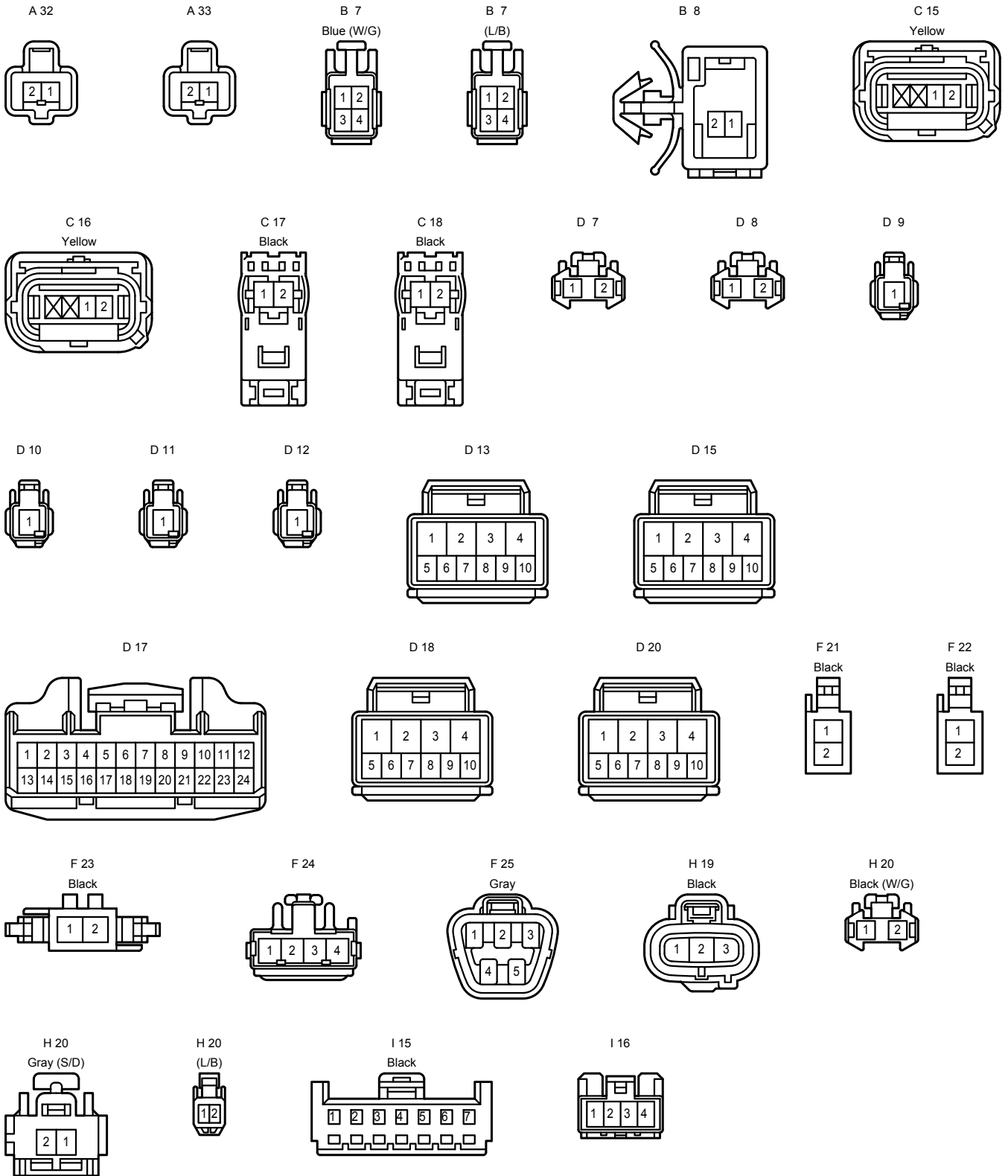
- D 7 Door Courtesy Light LH
- D 8 Door Courtesy Light RH
- D 9 Door Courtesy SW Front LH
- D 10 Door Courtesy SW Front RH
- D 11 Door Courtesy SW Rear LH
- D 12 Door Courtesy SW Rear RH
- D 13 Door Key Lock and Unlock SW (Driver's Side) , Door Lock Control Motor (Driver's Side) , Door Unlock Detection SW (Driver's Side)
- D 15 Door Lock Control Motor (Front Passenger's Side)
- D 17 Door Lock Control SW , Power Window Master SW
- D 18 Door Lock Motor Rear LH
- D 20 Door Lock Motor Rear RH

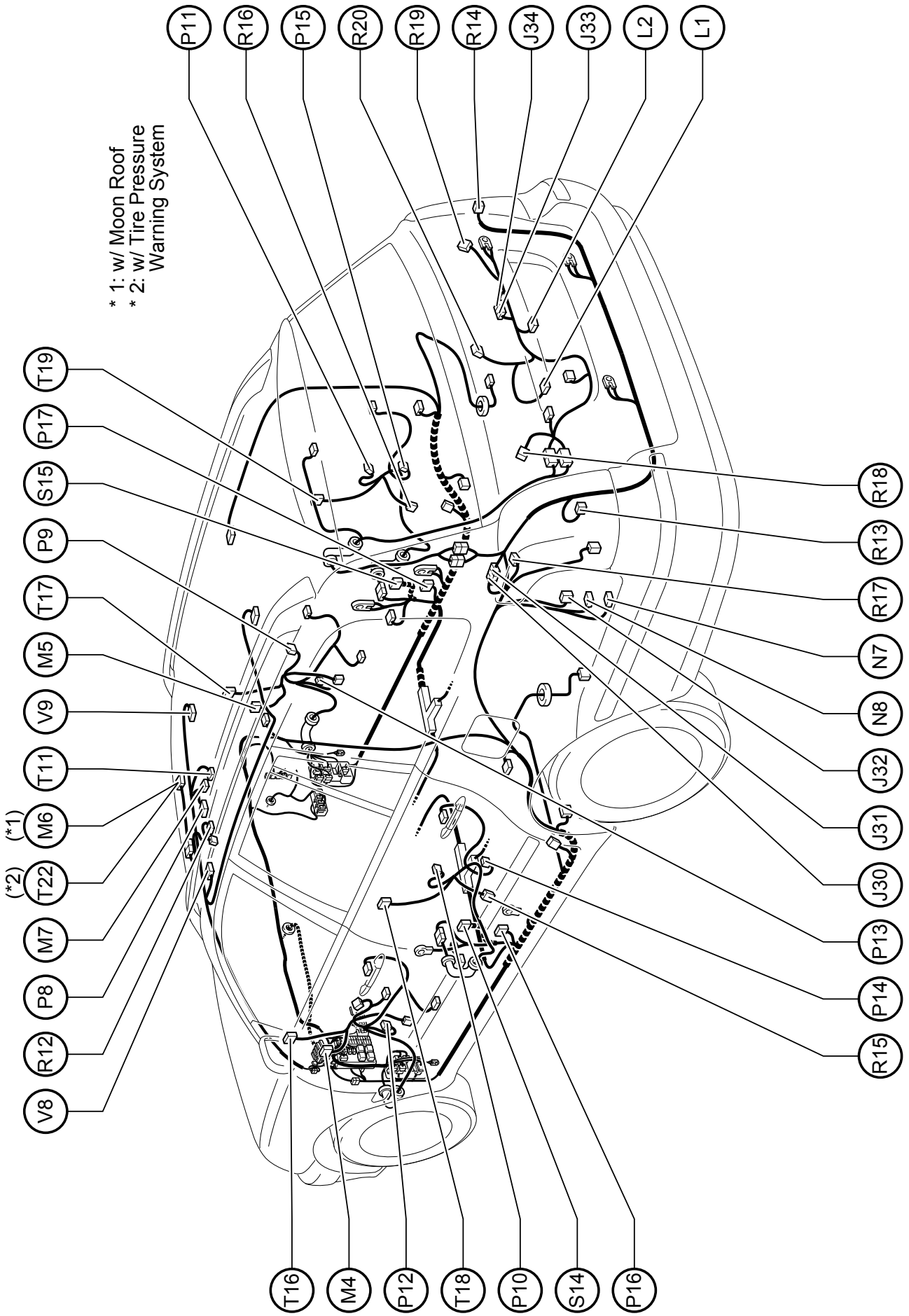
- F 21 Front Door Speaker LH
- F 22 Front Door Speaker RH
- F 23 Fuel Lid Opener Motor
- F 24 Fuel Lid Opener SW
- F 25 Fuel Pump , Fuel Sender

- H 19 Height Control Sensor (Rear)
- H 20 High Mounted Stop Light (W/G)
- H 20 High Mounted Stop Light (S/D)
- H 20 High Mounted Stop Light (L/B)

- I 15 Inner Mirror
- I 16 Interior Light

Position of Parts in Body <LHD W/G>





- J 30 Junction Connector
- J 31 Junction Connector
- J 32 Junction Connector
- J 33 Junction Connector
- J 34 Junction Connector

- L 1 License Plate Light LH
- L 2 License Plate Light RH

- M 4 Mirror Heater LH , Remote Control Mirror LH
- M 5 Mirror Heater RH , Remote Control Mirror RH
- M 6 Moon Roof Control Relay and Motor
- M 7 Moon Roof Control SW

- N 7 Noise Filter (Rear Window Defogger No.2)
- N 8 Noise Filter (Stop Light)

- P 8 Personal Light
- P 9 Power Window Control SW (Front Passenger Side)
- P 10 Power Window Control SW Rear LH
- P 11 Power Window Control SW Rear RH
- P 12 Power Window Motor Front LH
- P 13 Power Window Motor Front RH
- P 14 Power Window Motor Rear LH
- P 15 Power Window Motor Rear RH
- P 16 Pretensioner LH
- P 17 Pretensioner RH

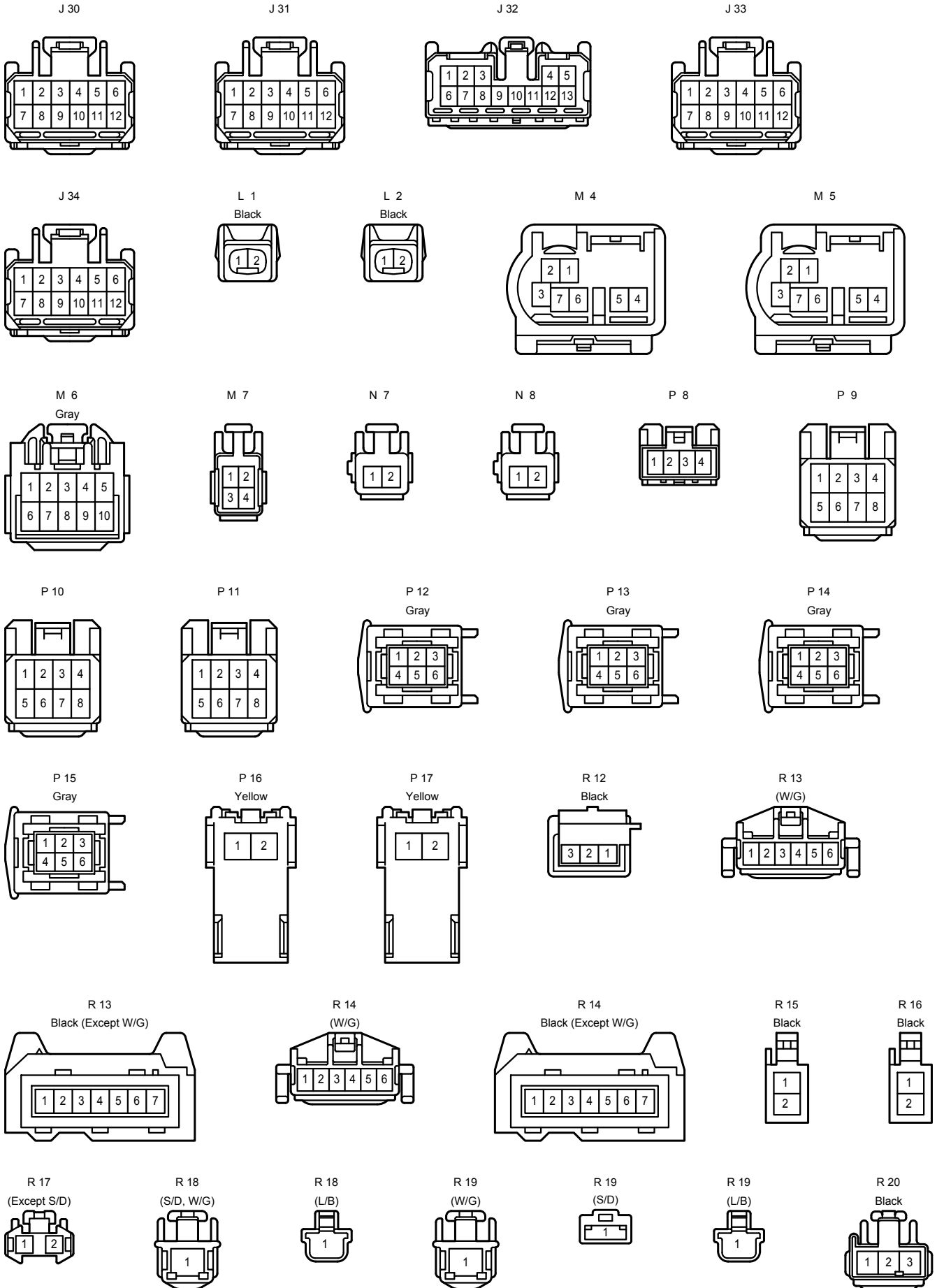
- R 12 Rain Sensor
- R 13 Rear Combination Light LH (W/G)
- R 13 Rear Combination Light LH (Except W/G)
- R 14 Rear Combination Light RH (W/G)
- R 14 Rear Combination Light RH (Except W/G)
- R 15 Rear Door Speaker LH
- R 16 Rear Door Speaker RH
- R 17 Rear Interior Light (Except S/D)
- R 18 Rear Window Defogger (S/D, W/G)
- R 18 Rear Window Defogger (L/B)
- R 19 Rear Window Defogger (W/G)
- R 19 Rear Window Defogger (S/D)
- R 19 Rear Window Defogger (L/B)
- R 20 Rear Wiper Motor and Relay

- S 14 Side Airbag Sensor LH (w/o Curtain Shield Airbag)
- S 14 Side Airbag Sensor LH (w/ Curtain Shield Airbag)
- S 15 Side Airbag Sensor RH (w/o Curtain Shield Airbag)
- S 15 Side Airbag Sensor RH (w/ Curtain Shield Airbag)

- T 11 Telephone Microphone Amplifier
- T 16 Tweeter Front LH
- T 17 Tweeter Front RH
- T 18 Tweeter Rear LH
- T 19 Tweeter Rear RH
- T 22 Tire Pressure Monitor Receiver

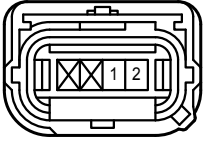
- V 8 Vanity Light LH
- V 9 Vanity Light RH

Position of Parts in Body <LHD W/G>

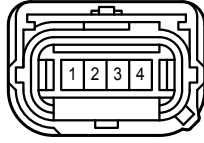


Position of Parts in Body <LHD W/G>

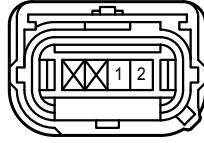
S 14
Yellow (w/o Curtain Shield Airbag)



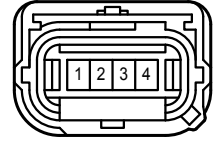
S 14
Yellow (w/ Curtain Shield Airbag)



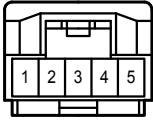
S 15
Yellow (w/o Curtain Shield Airbag)



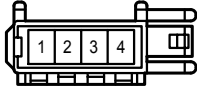
S 15
Yellow (w/ Curtain Shield Airbag)



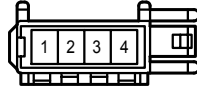
T 11



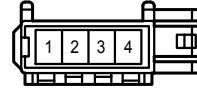
T 16



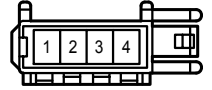
T 17



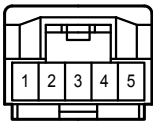
T 18



T 19



T 22

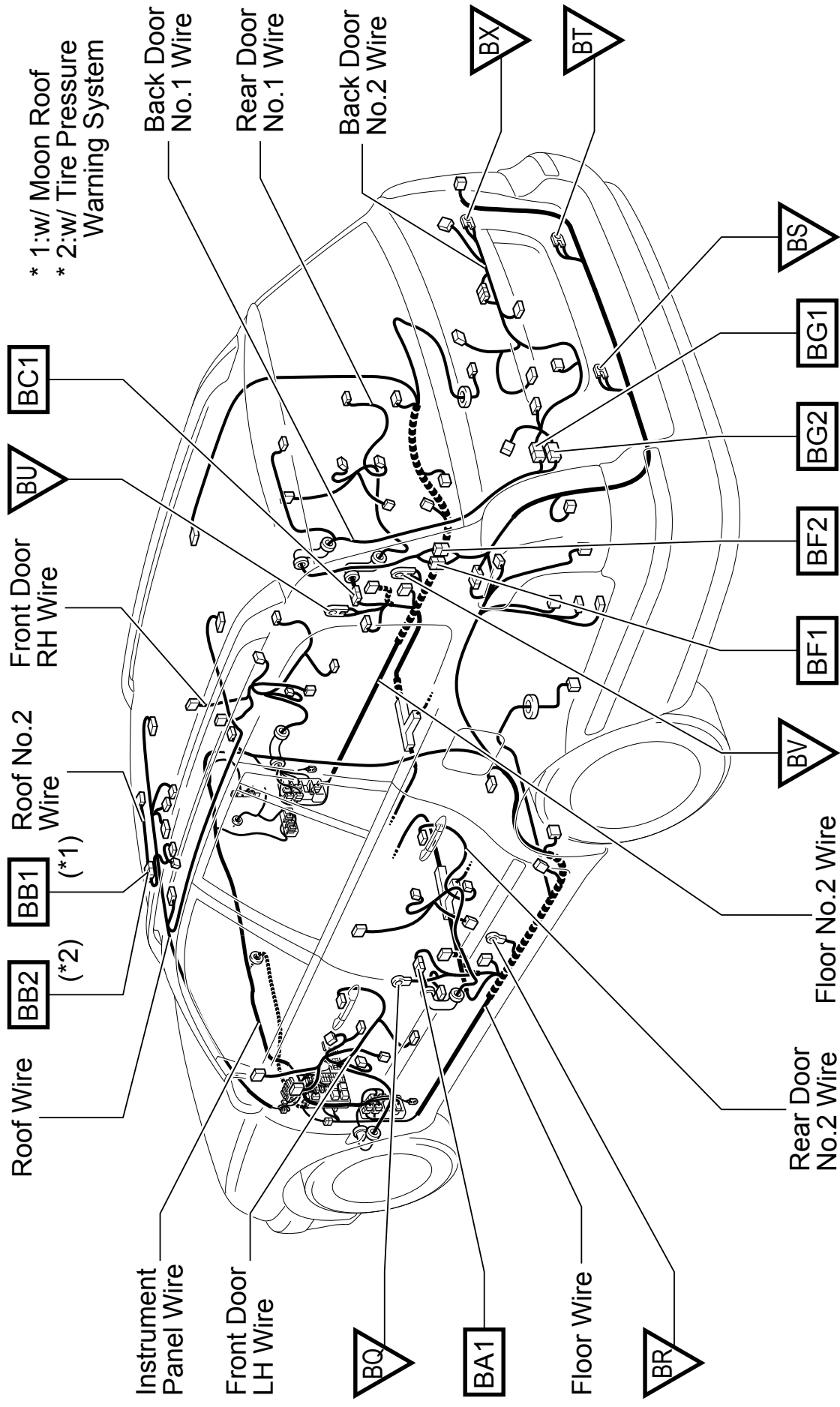


V 8

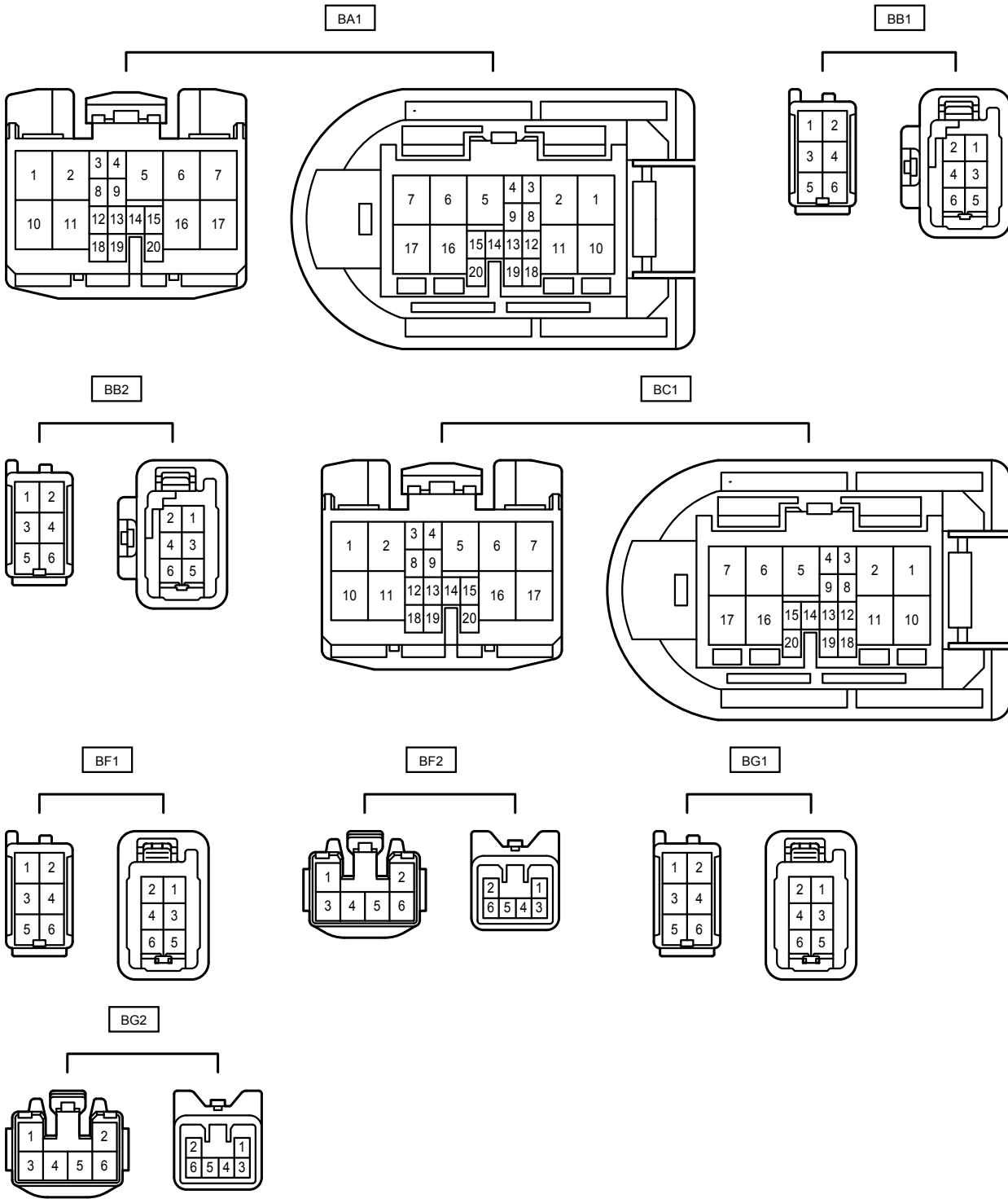


V 9





* 1:w/ Moon Roof
 * 2:w/ Tire Pressure Warning System





- A 32 ABS Speed Sensor Rear LH
- A 33 ABS Speed Sensor Rear RH

- B 7 Back Door Courtesy SW , Back Door Lock Motor (W/G)
- B 7 Back Door Courtesy SW , Back Door Lock Motor (L/B)
- B 8 Back Door Opener SW

- C 15 Curtain Shield Airbag Sensor LH
- C 16 Curtain Shield Airbag Sensor RH
- C 17 Curtain Shield Airbag Squib LH
- C 18 Curtain Shield Airbag Squib RH

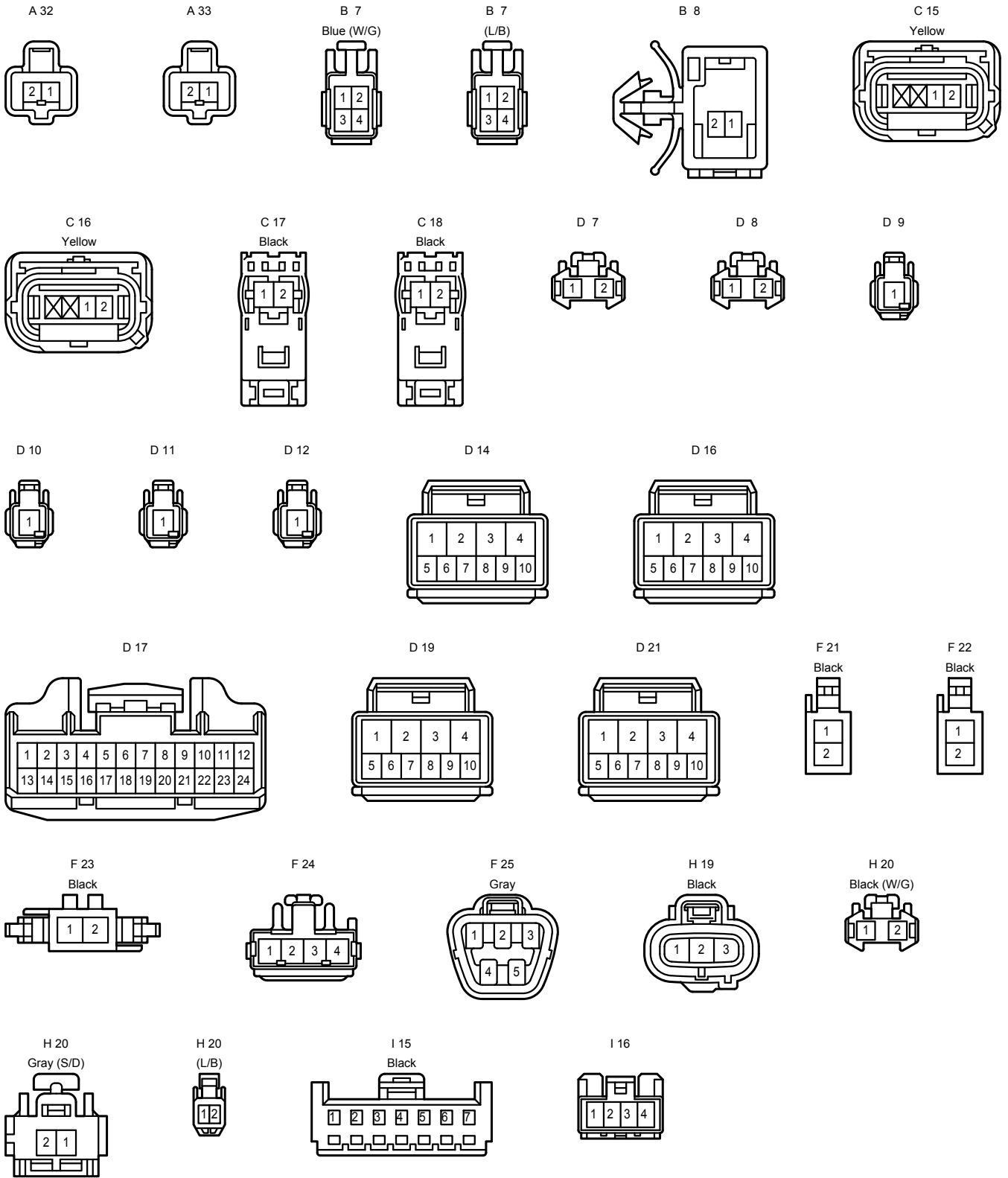
- D 7 Door Courtesy Light LH
- D 8 Door Courtesy Light RH
- D 9 Door Courtesy SW Front LH
- D 10 Door Courtesy SW Front RH
- D 11 Door Courtesy SW Rear LH
- D 12 Door Courtesy SW Rear RH
- D 14 Door Key Lock and Unlock SW (Driver's Side) , Door Lock Control Motor (Driver's Side) , Door Unlock Detection SW (Driver's Side) , Double Lock Motor (Driver's Side) , Double Lock Position SW (Driver's Side)
- D 16 Door Lock Control Motor (Front Passenger's Side) , Door Unlock Detection SW (Front Passenger's Side) , Double Lock Motor (Front Passenger's Side) , Double Lock Position SW (Front Passenger's Side)
- D 17 Door Lock Control SW , Power Window Master SW
- D 19 Door Lock Motor Rear LH , Door Unlock Detection SW Rear LH , Double Lock Motor Rear LH , Double Lock Position SW Rear LH
- D 21 Door Lock Motor Rear RH , Door Unlock Detection SW Rear RH , Double Lock Motor Rear RH , Double Lock Position SW Rear RH

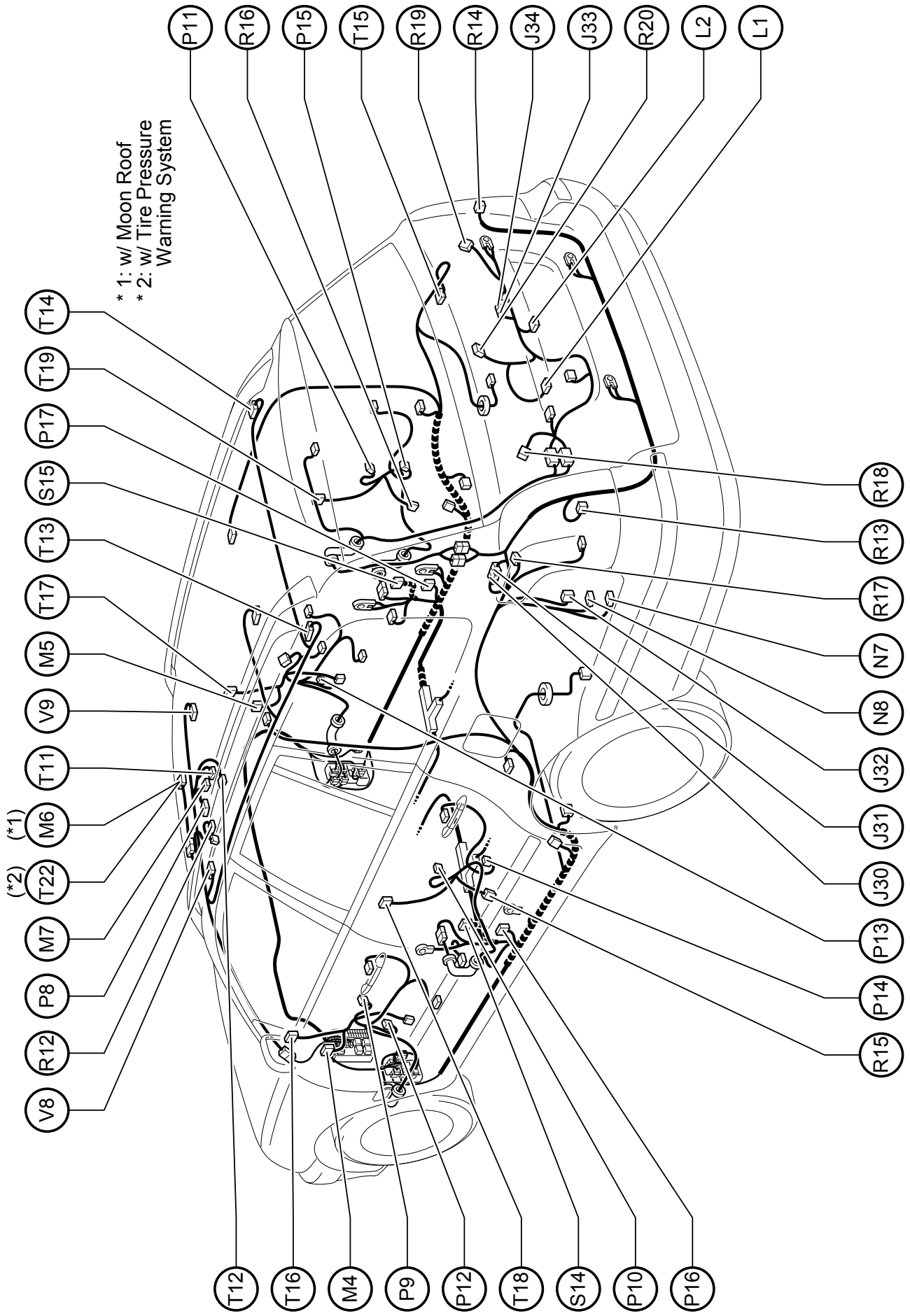
- F 21 Front Door Speaker LH
- F 22 Front Door Speaker RH
- F 23 Fuel Lid Opener Motor
- F 24 Fuel Lid Opener SW
- F 25 Fuel Pump , Fuel Sender

- H 19 Height Control Sensor (Rear)
- H 20 High Mounted Stop Light (W/G)
- H 20 High Mounted Stop Light (S/D)
- H 20 High Mounted Stop Light (L/B)

- I 15 Inner Mirror
- I 16 Interior Light

Position of Parts in Body <RHD W/G>





- J 30 Junction Connector
- J 31 Junction Connector
- J 32 Junction Connector
- J 33 Junction Connector
- J 34 Junction Connector

- L 1 License Plate Light LH
- L 2 License Plate Light RH

- M 4 Mirror Heater LH , Remote Control Mirror LH
- M 5 Mirror Heater RH , Remote Control Mirror RH
- M 6 Moon Roof Control Relay and Motor
- M 7 Moon Roof Control SW

- N 7 Noise Filter (Rear Window Defogger No.2)
- N 8 Noise Filter (Stop Light)

- P 8 Personal Light
- P 9 Power Window Control SW (Front Passenger Side)
- P 10 Power Window Control SW Rear LH
- P 11 Power Window Control SW Rear RH
- P 12 Power Window Motor Front LH
- P 13 Power Window Motor Front RH
- P 14 Power Window Motor Rear LH
- P 15 Power Window Motor Rear RH
- P 16 Pretensioner LH
- P 17 Pretensioner RH

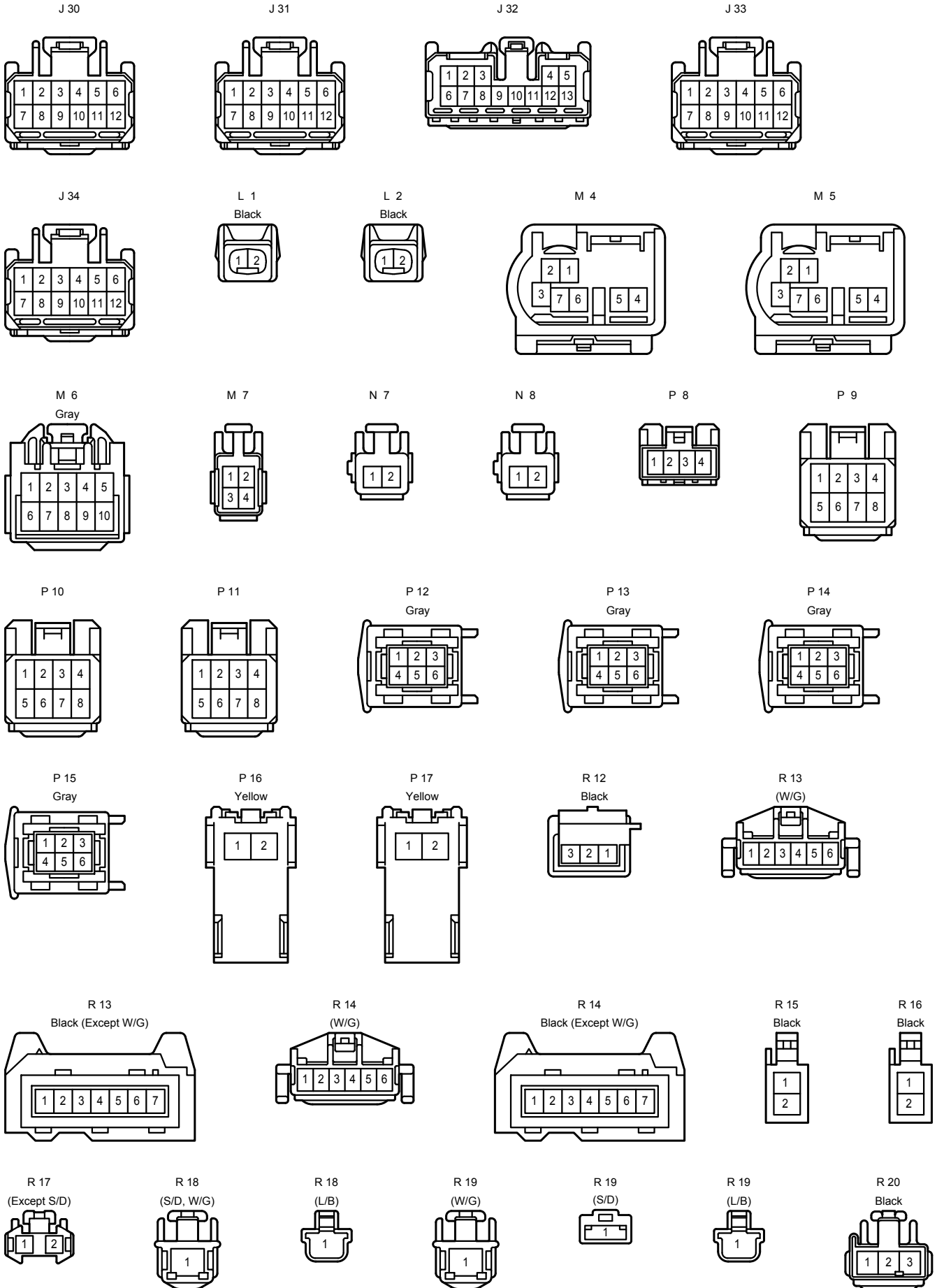
- R 12 Rain Sensor
- R 13 Rear Combination Light LH (W/G)
- R 13 Rear Combination Light LH (Except W/G)
- R 14 Rear Combination Light RH (W/G)
- R 14 Rear Combination Light RH (Except W/G)
- R 15 Rear Door Speaker LH
- R 16 Rear Door Speaker RH
- R 17 Rear Interior Light (Except S/D)
- R 18 Rear Window Defogger (S/D, W/G)
- R 18 Rear Window Defogger (L/B)
- R 19 Rear Window Defogger (W/G)
- R 19 Rear Window Defogger (S/D)
- R 19 Rear Window Defogger (L/B)
- R 20 Rear Wiper Motor and Relay

- S 14 Side Airbag Sensor LH (w/o Curtain Shield Airbag)
- S 14 Side Airbag Sensor LH (w/ Curtain Shield Airbag)
- S 15 Side Airbag Sensor RH (w/o Curtain Shield Airbag)
- S 15 Side Airbag Sensor RH (w/ Curtain Shield Airbag)

- T 11 Telephone Microphone Amplifier
- T 12 Theft Warning Ultrasonic Sensor
- T 13 Theft Warning Ultrasonic Sensor Rear LH
- T 14 Theft Warning Ultrasonic Sensor Rear RH
- T 15 Theft Warning Siren
- T 16 Tweeter Front LH
- T 17 Tweeter Front RH
- T 18 Tweeter Rear LH
- T 19 Tweeter Rear RH
- T 22 Tire Pressure Monitor Receiver

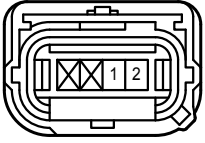
- V 8 Vanity Light LH
- V 9 Vanity Light RH

Position of Parts in Body <RHD W/G>

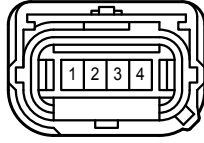


Position of Parts in Body <RHD W/G>

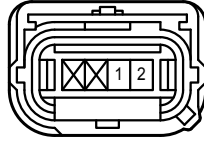
S 14
Yellow (w/o Curtain Shield Airbag)



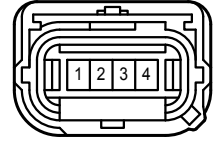
S 14
Yellow (w/ Curtain Shield Airbag)



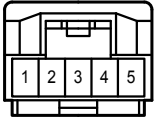
S 15
Yellow (w/o Curtain Shield Airbag)



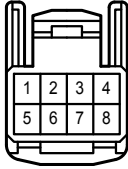
S 15
Yellow (w/ Curtain Shield Airbag)



T 11



T 12



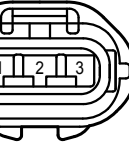
T 13



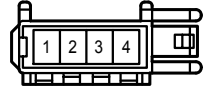
T 14



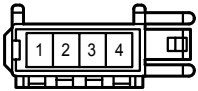
T 15



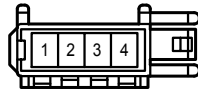
T 16



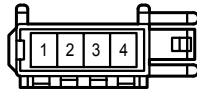
T 17



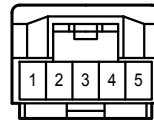
T 18



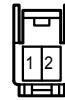
T 19



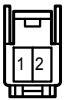
T 22

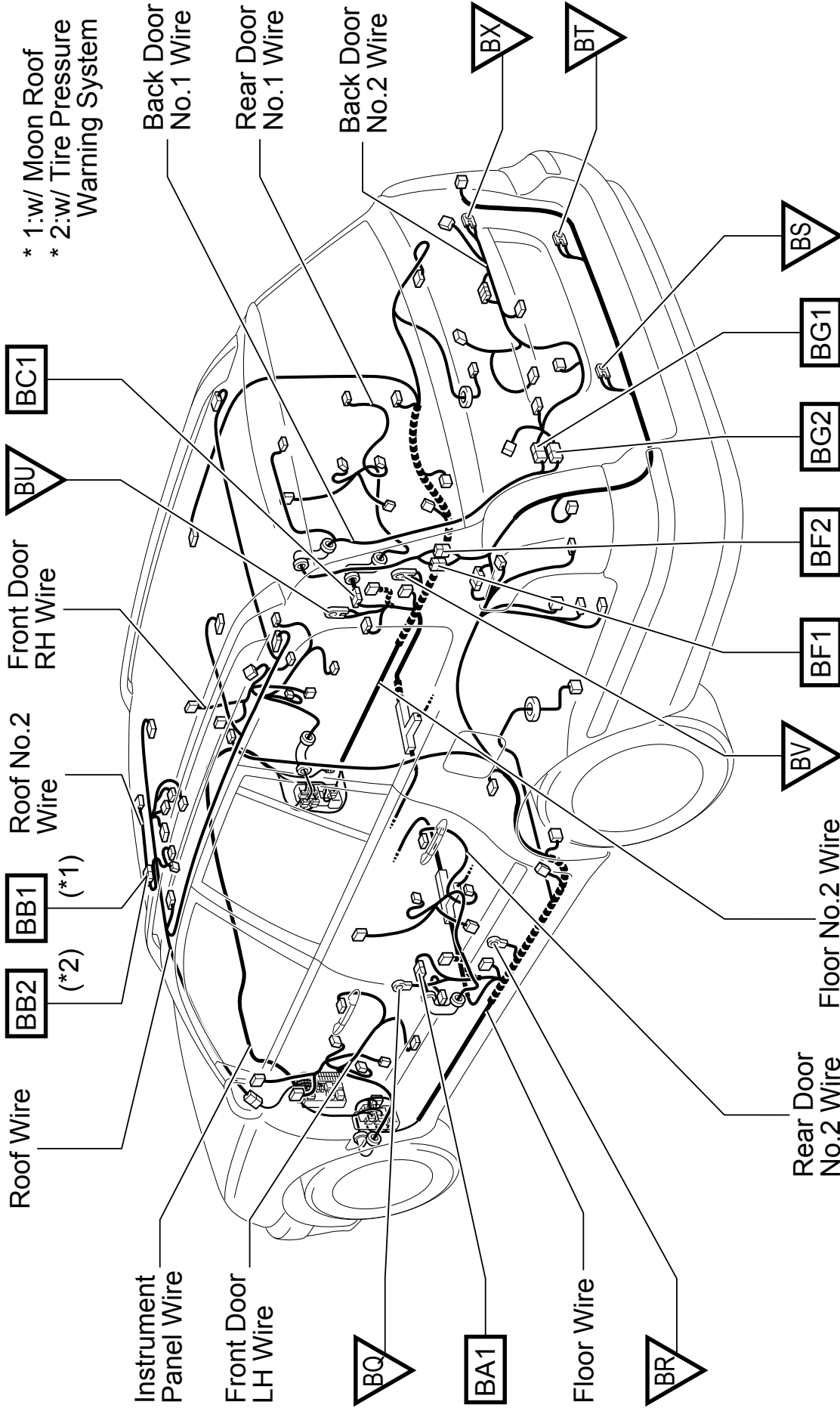


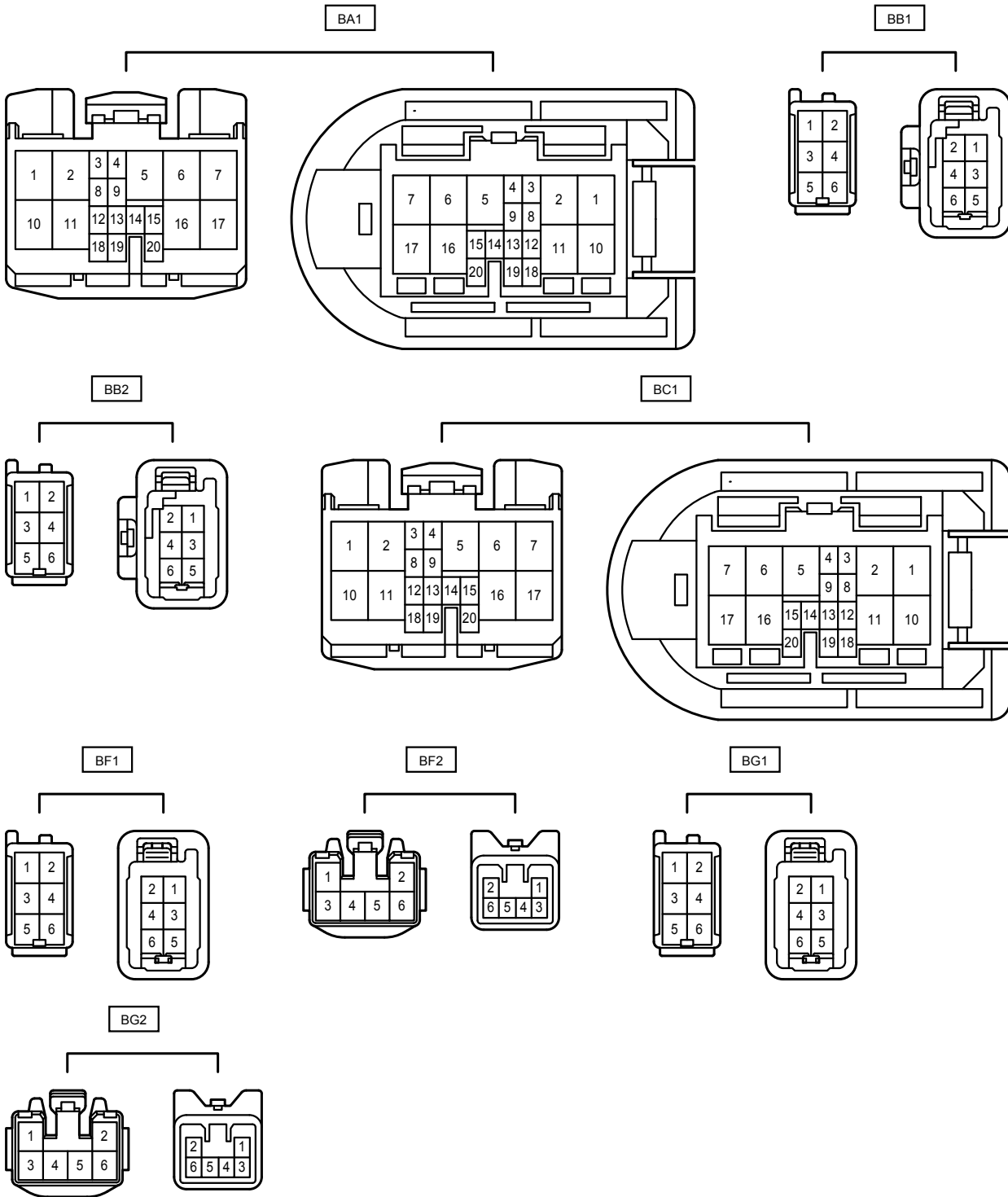
V 8



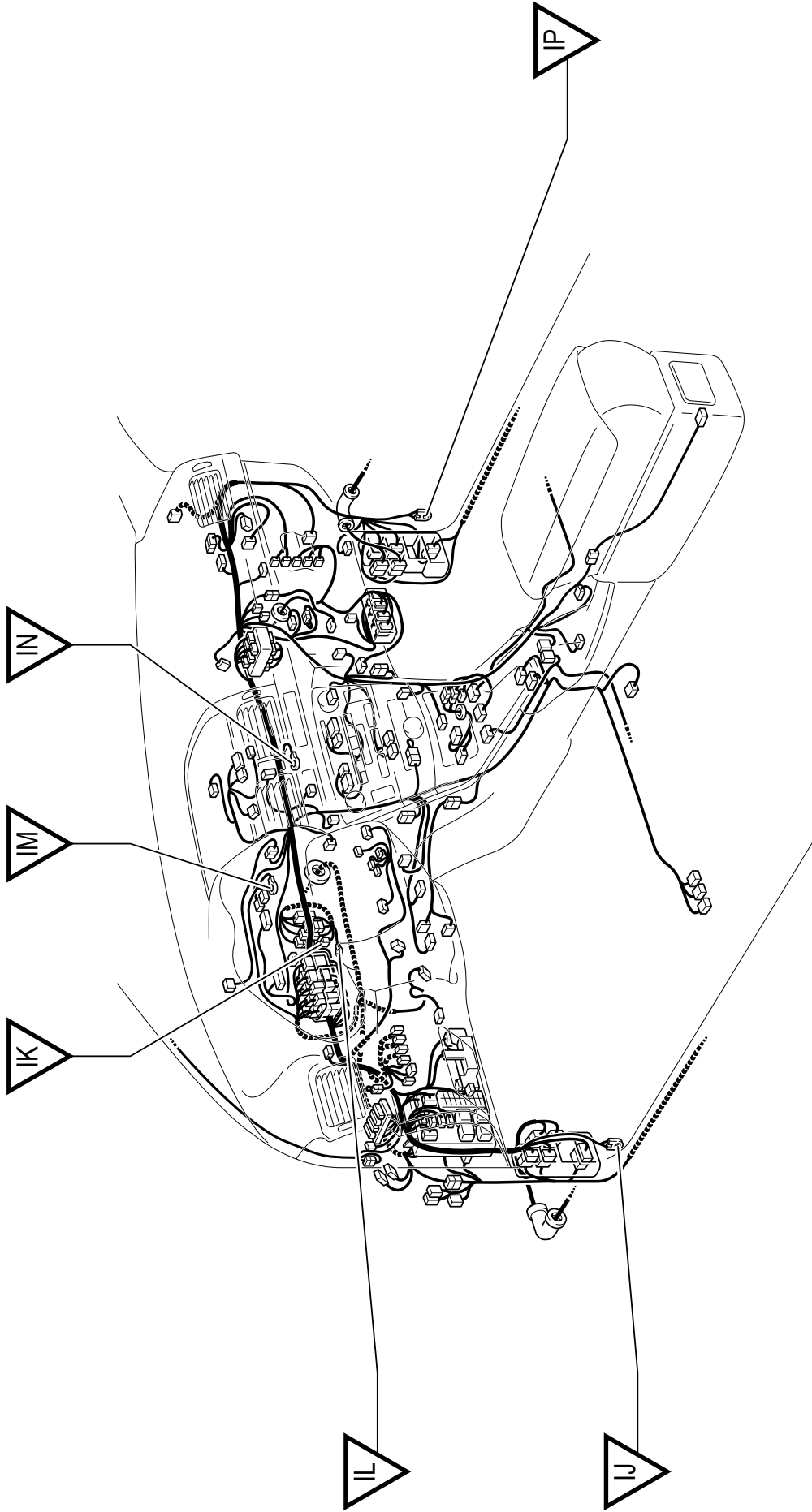
V 9



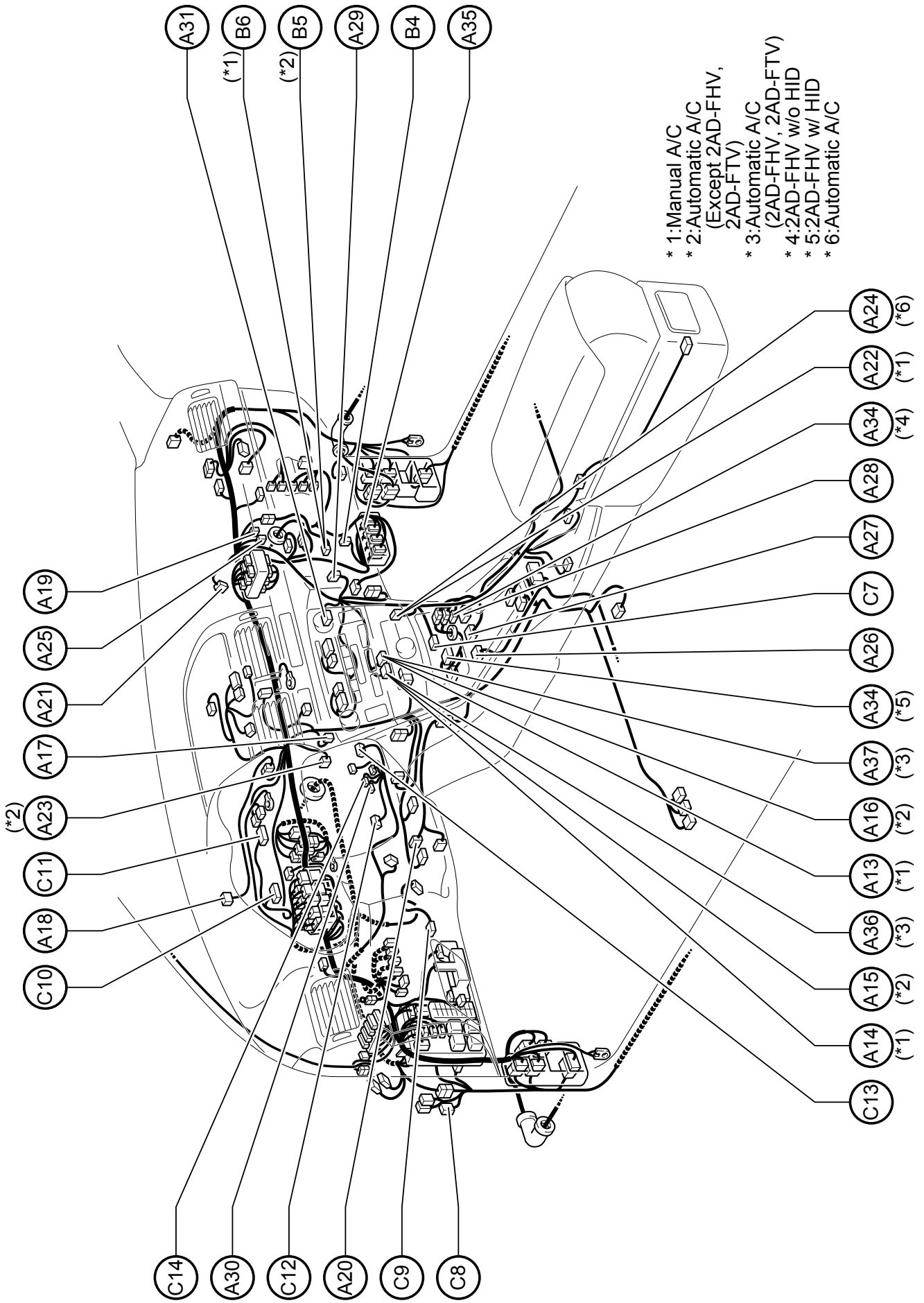




Ground Points in Instrument Panel <LHD>



Position of Parts in Instrument Panel <LHD>



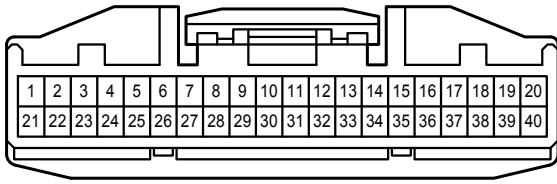
- A 13 A/C Control Assembly
- A 14 A/C Control Assembly
- A 15 A/C Control Assembly
- A 16 A/C Control Assembly
- A 17 A/C Room Temp. Sensor
- A 18 A/C Solar Sensor
- A 19 A/C Thermistor
- A 20 Accel Position Sensor
- A 21 Air Inlet Control Servo Motor
- A 22 Air Mix Control Servo Motor
- A 23 Air Mix Control Servo Motor (Driver Side)
- A 24 Air Mix Control Servo Motor (Front Passenger Side)
- A 25 Air Vent Mode Control Servo Motor
- A 26 Airbag Sensor Assembly
- A 27 Airbag Sensor Assembly
- A 28 Airbag Sensor Assembly
- A 29 Airbag Squib (Front Passenger Airbag Assembly)
- A 30 Airbag Squib (Steering Wheel Pad)
- A 31 Antenna Amplifier
- A 34 Air Fuel Ratio Sensor
- A 35 Air Fuel Ratio Sensor Relay
- A 36 A/C Control Assembly
- A 37 A/C Control Assembly

- B 4 Blower Motor
- B 5 Blower Motor Controller
- B 6 Blower Resistor

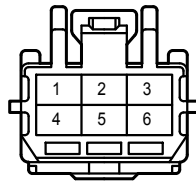
- C 7 Cigarette Lighter , Cigarette Lighter Illumination
- C 8 Circuit Opening Relay
- C 9 Clutch Start SW
- C 10 Combination Meter
- C 11 Combination Meter
- C 12 Combination SW
- C 13 Combination SW
- C 14 Combination SW

Position of Parts in Instrument Panel <LHD>

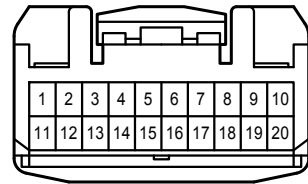
A 13



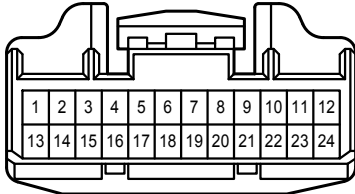
A 14



A 15



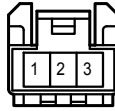
A 16



A 17
Black



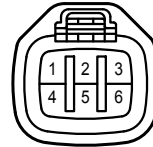
A 18
Black



A 19



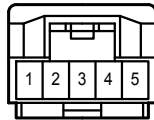
A 20
Black



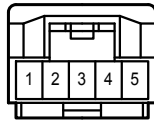
A 21
Black



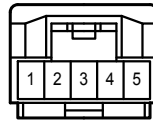
A 22
Black



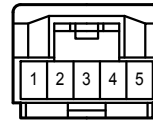
A 23
Black



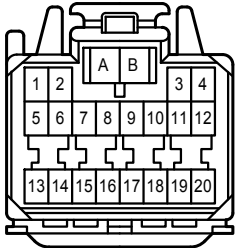
A 24
Black



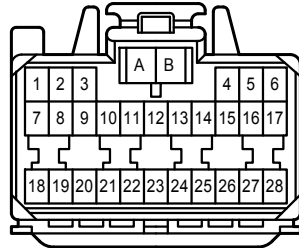
A 25
Black



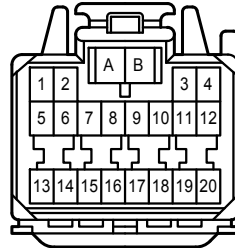
A 26
Yellow



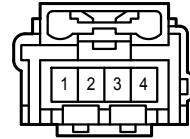
A 27
Yellow



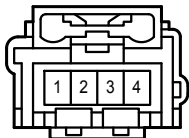
A 28
Yellow



A 29
Yellow



A 30
Yellow



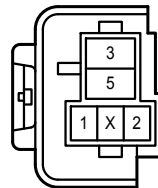
A 31



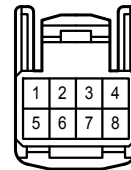
A 34
Gray



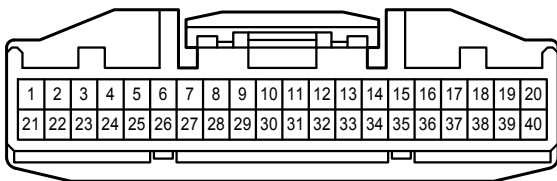
A 35



A 36



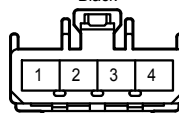
A 37



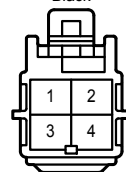
B 4



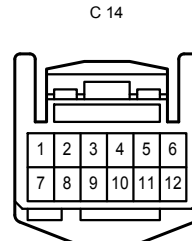
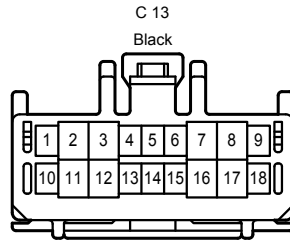
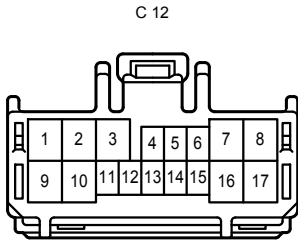
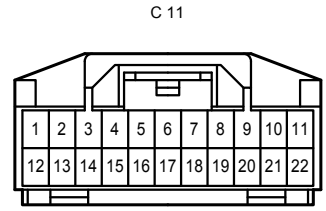
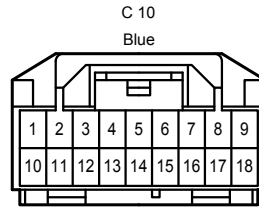
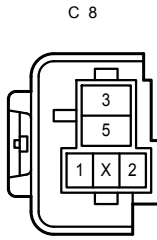
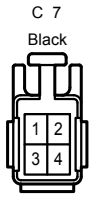
B 5
Black



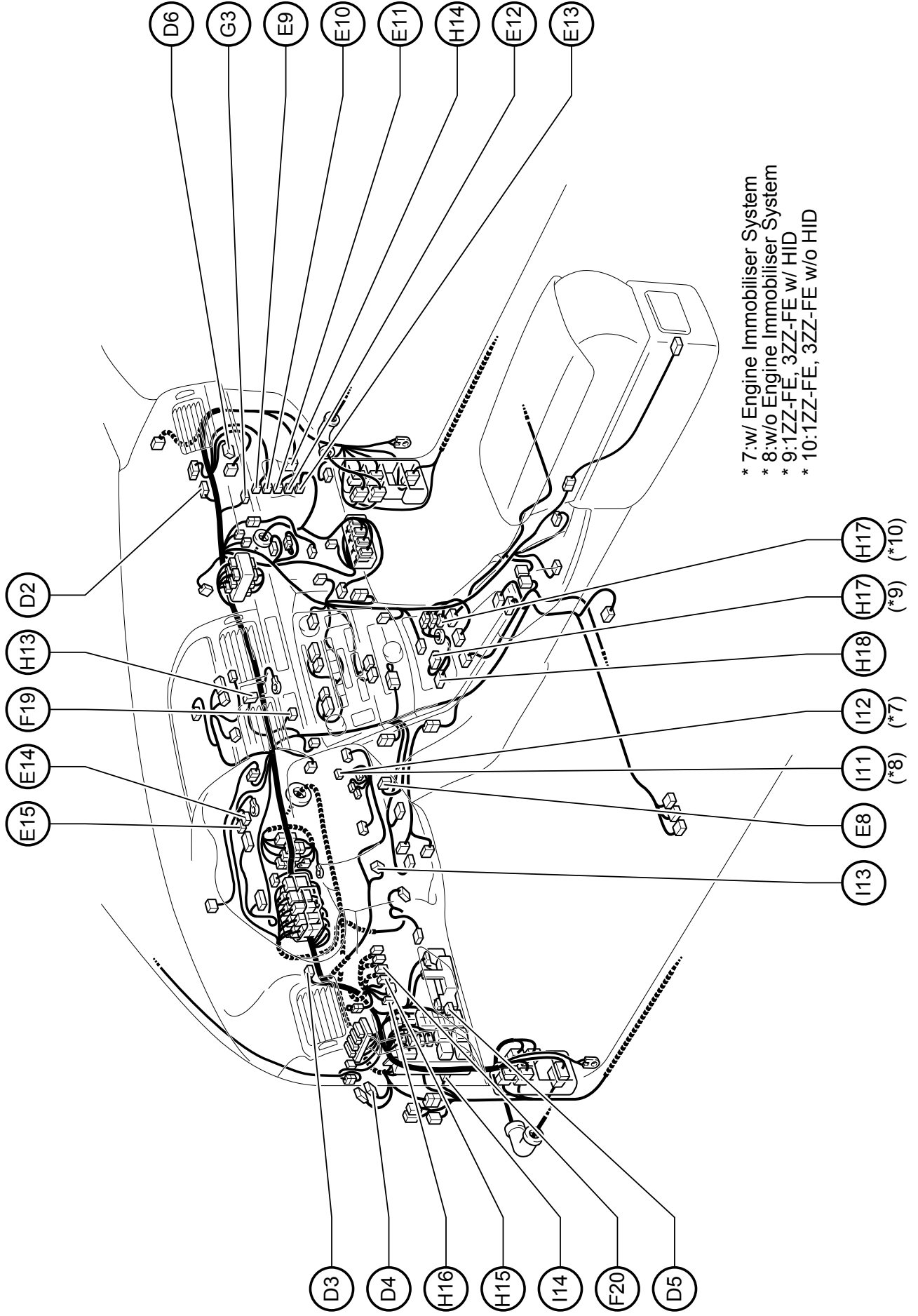
B 6
Black



Position of Parts in Instrument Panel <LHD>



Position of Parts in Instrument Panel <LHD>



- * 7:w/ Engine Immobiliser System
- * 8:w/o Engine Immobiliser System
- * 9:1ZZ-FE, 3ZZ-FE w/ HID
- * 10:1ZZ-FE, 3ZZ-FE w/o HID

- D 2 Diode
- D 3 Diode
- D 4 Diode (Fan) (Except 1CD-FTV)
- D 4 Diode (Fan) (1CD-FTV)
- D 5 DLC3
- D 6 Door Control Receiver

- E 8 ECT Pattern Select SW
- E 9 Engine and ECT ECU (A/T) , Engine ECU (M/T)
- E 10 Engine and ECT ECU (A/T) , Engine ECU (M/T)
- E 11 Engine and ECT ECU (A/T) , Engine ECU (M/T)
- E 12 Engine and ECT ECU (A/T) , Engine ECU (M/T)
- E 13 Engine and ECT ECU (A/T) , Engine ECU (M/T)
- E 14 EPS ECU
- E 15 EPS ECU

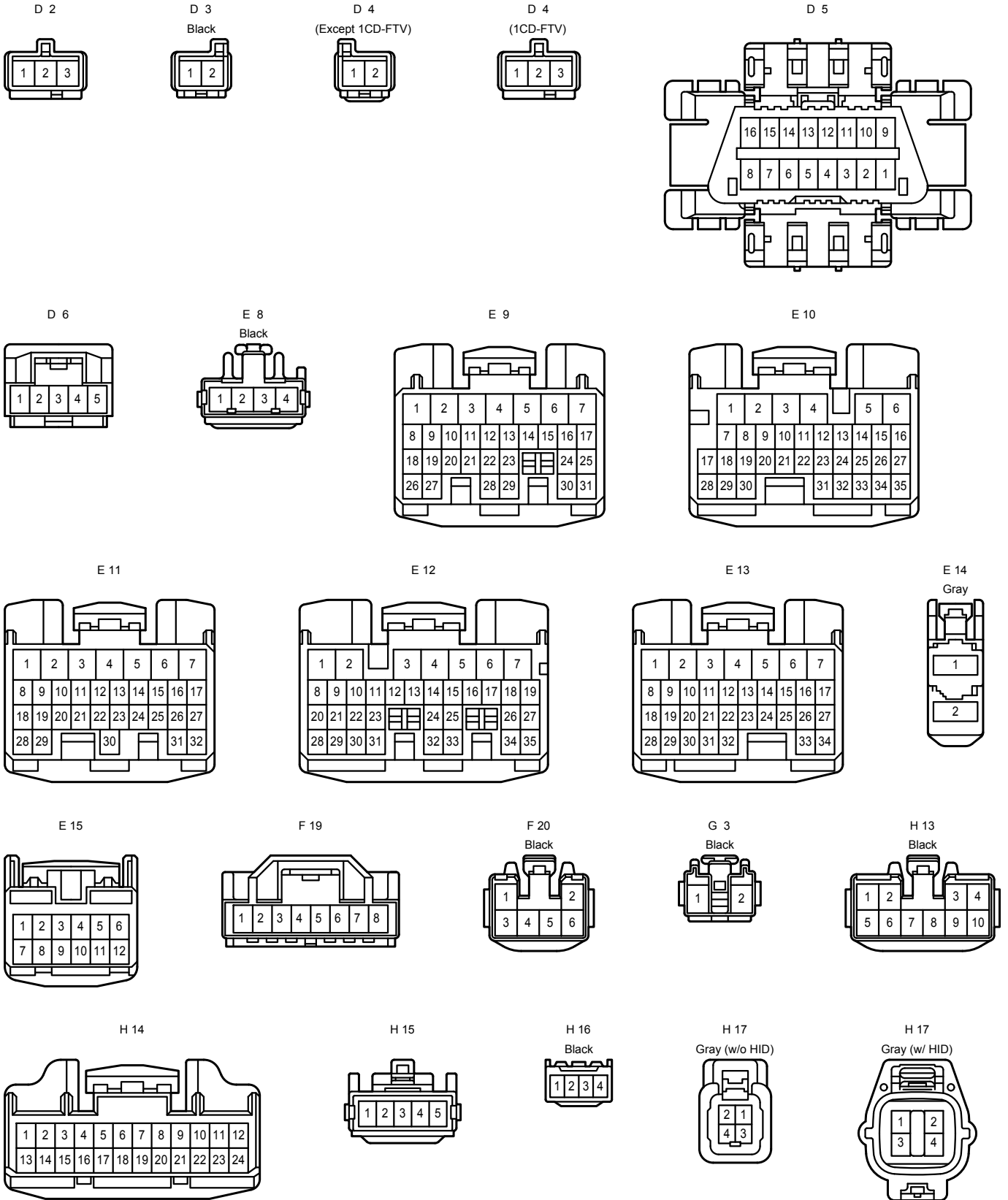
- F 19 Front Passenger's Seat Belt Warning Light , Rear Window Defogger SW , Security Indicator Light
- F 20 Front Wiper Deicer SW

- G 3 Glove Box Light

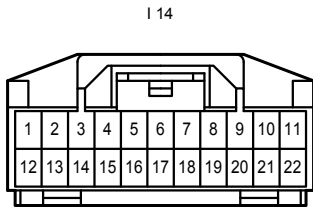
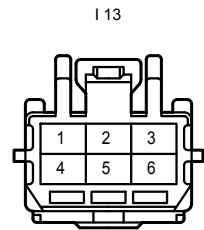
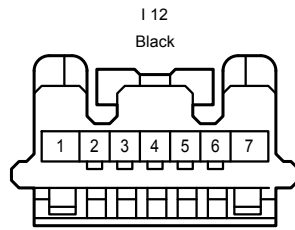
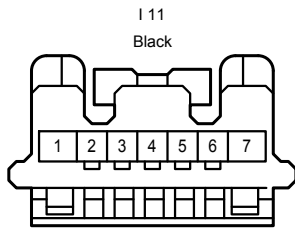
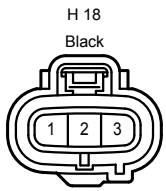
- H 13 Hazard SW
- H 14 Headlight Beam Level Control ECU
- H 15 Headlight Beam Level Control SW
- H 16 Headlight Cleaner SW
- H 17 Heated Oxygen Sensor (Bank 1 Sensor 2) (w/o HID)
- H 17 Heated Oxygen Sensor (Bank 1 Sensor 2) (w/ HID)
- H 18 Height Control Sensor (Front)

- I 11 Ignition Key Cylinder Light
- I 12 Ignition Key Cylinder Light , Transponder Key Amplifier
- I 13 Ignition SW
- I 14 Integration Relay

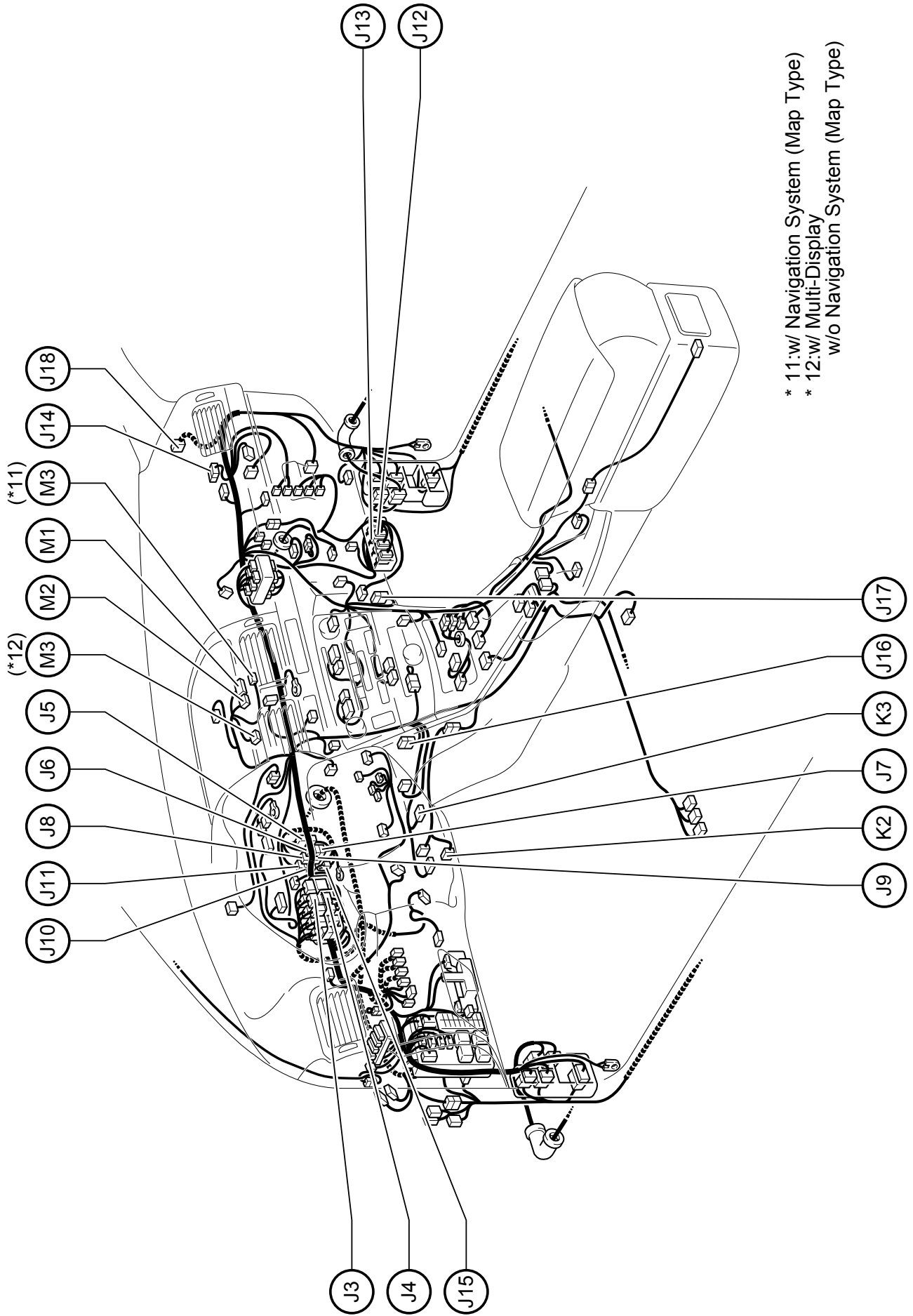
Position of Parts in Instrument Panel <LHD>



Position of Parts in Instrument Panel <LHD>



Position of Parts in Instrument Panel <LHD>



* 11: w/ Navigation System (Map Type)
* 12: w/ Multi-Display
w/o Navigation System (Map Type)

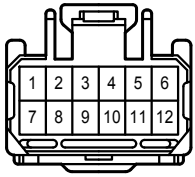
- J 3 Junction Connector
- J 4 Junction Connector
- J 5 Junction Connector
- J 6 Junction Connector
- J 7 Junction Connector
- J 8 Junction Connector
- J 9 Junction Connector
- J 10 Junction Connector
- J 11 Junction Connector
- J 12 Junction Connector
- J 13 Junction Connector
- J 14 Junction Connector
- J 15 Junction Connector
- J 16 Junction Connector
- J 17 Junction Connector
- J 18 Junction Connector

- K 2 Kick Down SW
- K 3 Knee Airbag Squib

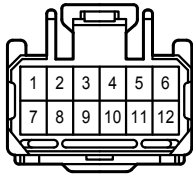
- M 1 Multi-Display (w/o Navigation System (Map Type))
- M 1 Multi-Display (w/ Navigation System (Map Type))
- M 2 Multi-Display (w/o Navigation System (Map Type))
- M 2 Multi-Display (w/ Navigation System (Map Type))
- M 3 Multi-Display

Position of Parts in Instrument Panel <LHD>

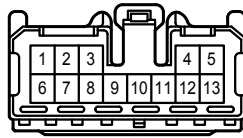
J 3



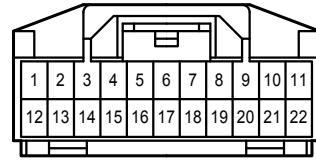
J 4



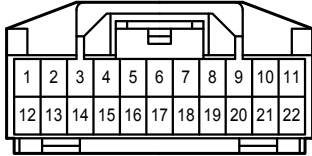
J 5



J 6

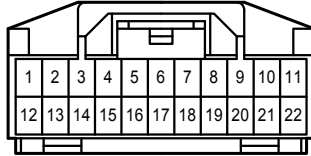


J 7



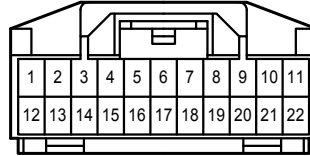
J 8

Black



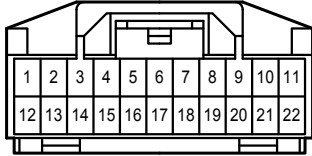
J 9

Black



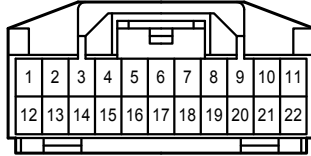
J 10

Gray

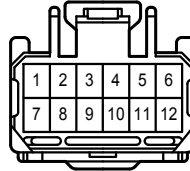


J 11

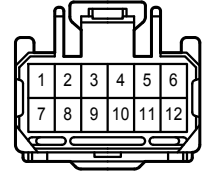
Gray



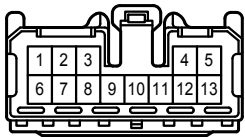
J 12



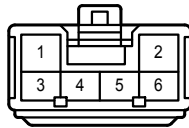
J 13



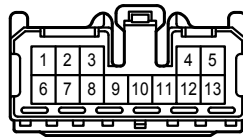
J 14



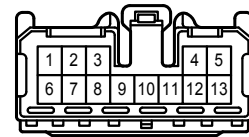
J 15



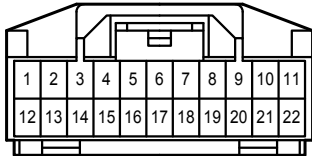
J 16



J 17

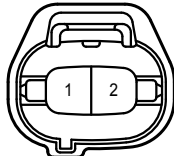


J 18



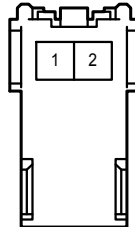
K 2

Black



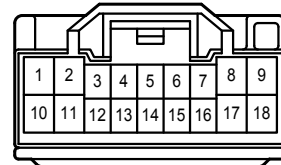
K 3

Yellow



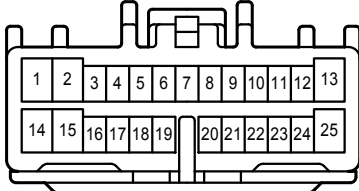
M 1

(w/o Navigation System (Map Type))



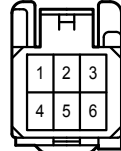
M 1

(w/ Navigation System (Map Type))



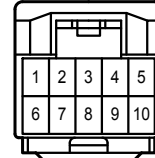
M 2

(w/o Navigation System (Map Type))



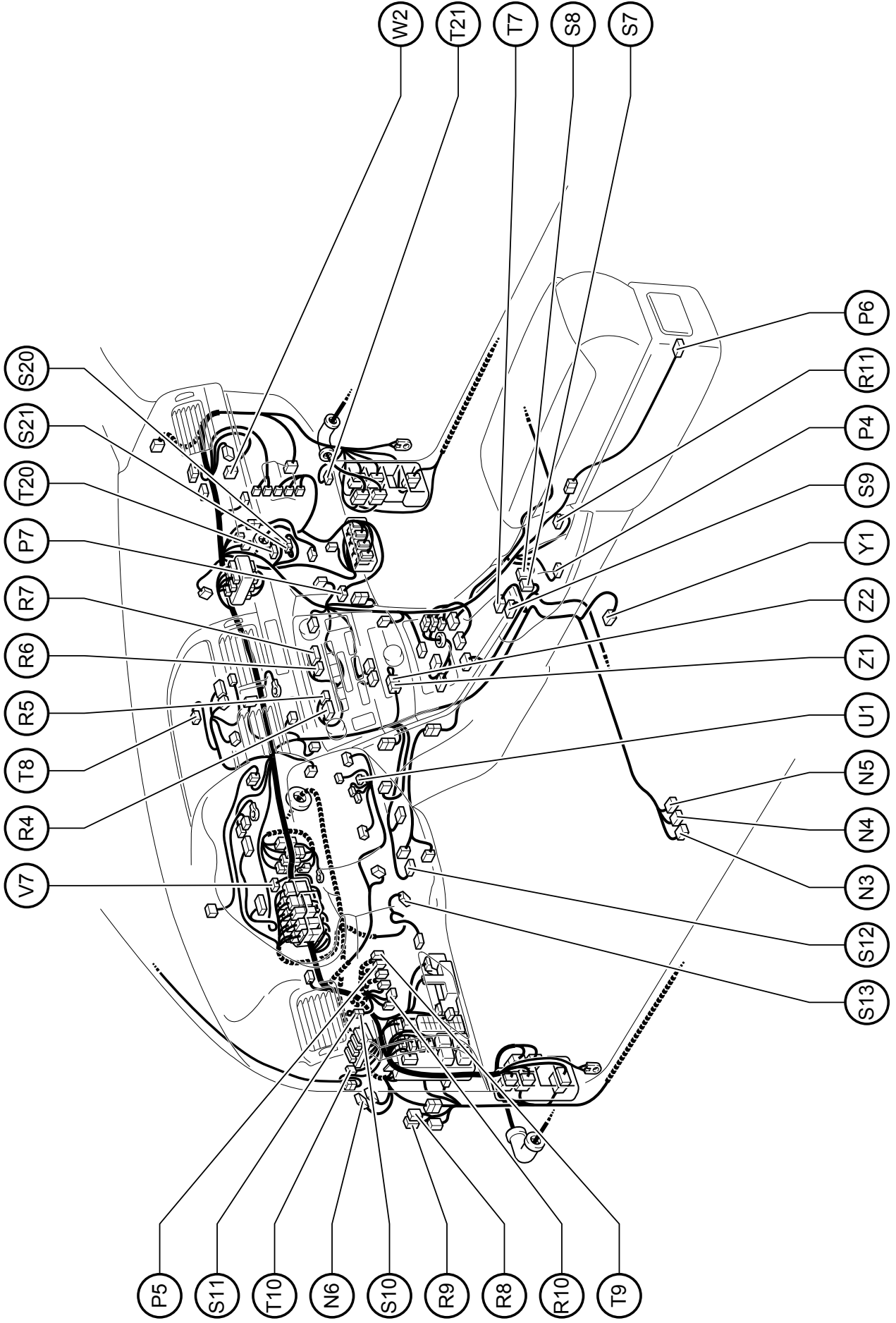
M 2

(w/ Navigation System (Map Type))



M 3





- N 3 Navigation ECU
- N 4 Navigation ECU
- N 5 Navigation ECU
- N 6 Noise Filter (Rear Window Defogger No.1)

- P 4 Parking Brake SW
- P 5 Power Heater SW (Power Heater (Combustion Type))
- P 5 Power Heater SW (Power Heater (Hot Gas Type))
- P 6 Power Outlet
- P 7 PTC Heater

- R 4 Radio and Player
- R 5 Radio and Player
- R 6 Radio and Player
- R 7 Radio and Player
- R 8 Rear Fog Light Relay
- R 9 Rear Window Defogger Relay
- R 10 Remote Control Mirror SW
- R 11 Remote Controller (Navigation)

- S 7 Seat Heater SW
- S 8 Seat Heater SW
- S 9 Shift Lock Control ECU
- S 10 Short Connector
- S 11 Short Connector
- S 12 Steering Sensor
- S 13 Stop Light SW (LHD 1AZ-FE)
- S 13 Stop Light SW (Except LHD 1AZ-FE)
- S 20 Short Connector
- S 21 Short Connector

- T 7 Transmission Control SW
- T 8 Transponder Key Computer
- T 9 TRC Off SW
- T 10 Turn Signal Flasher Relay
- T 20 Tire Pressure Monitor ECU
- T 21 Tire Pressure Warning SW

- U 1 Unlock Warning SW

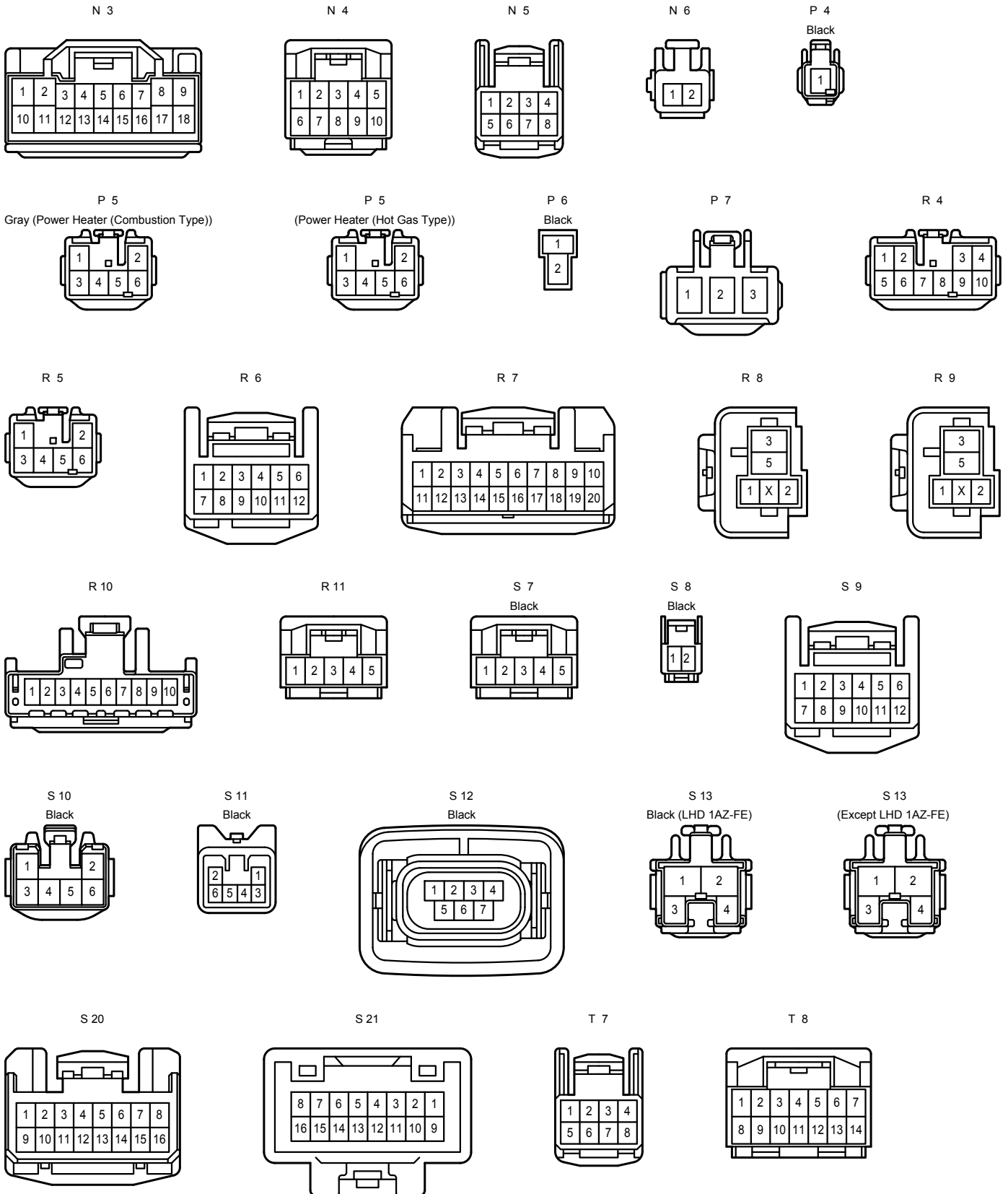
- V 7 VSC Warning Buzzer

- W 2 Wiper Relay

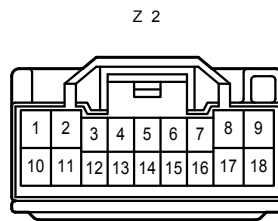
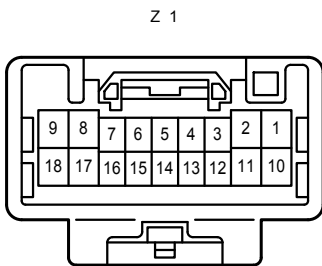
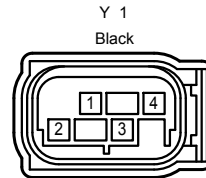
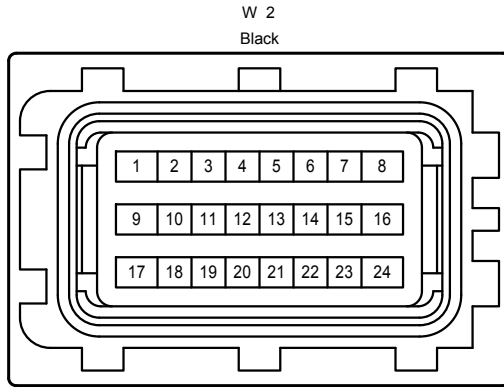
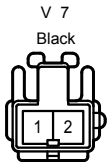
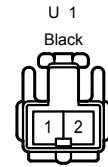
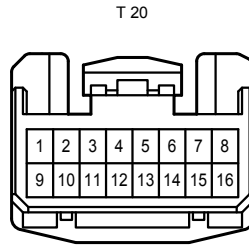
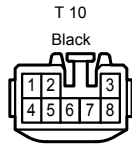
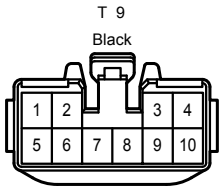
- Y 1 Yaw Rate Sensor

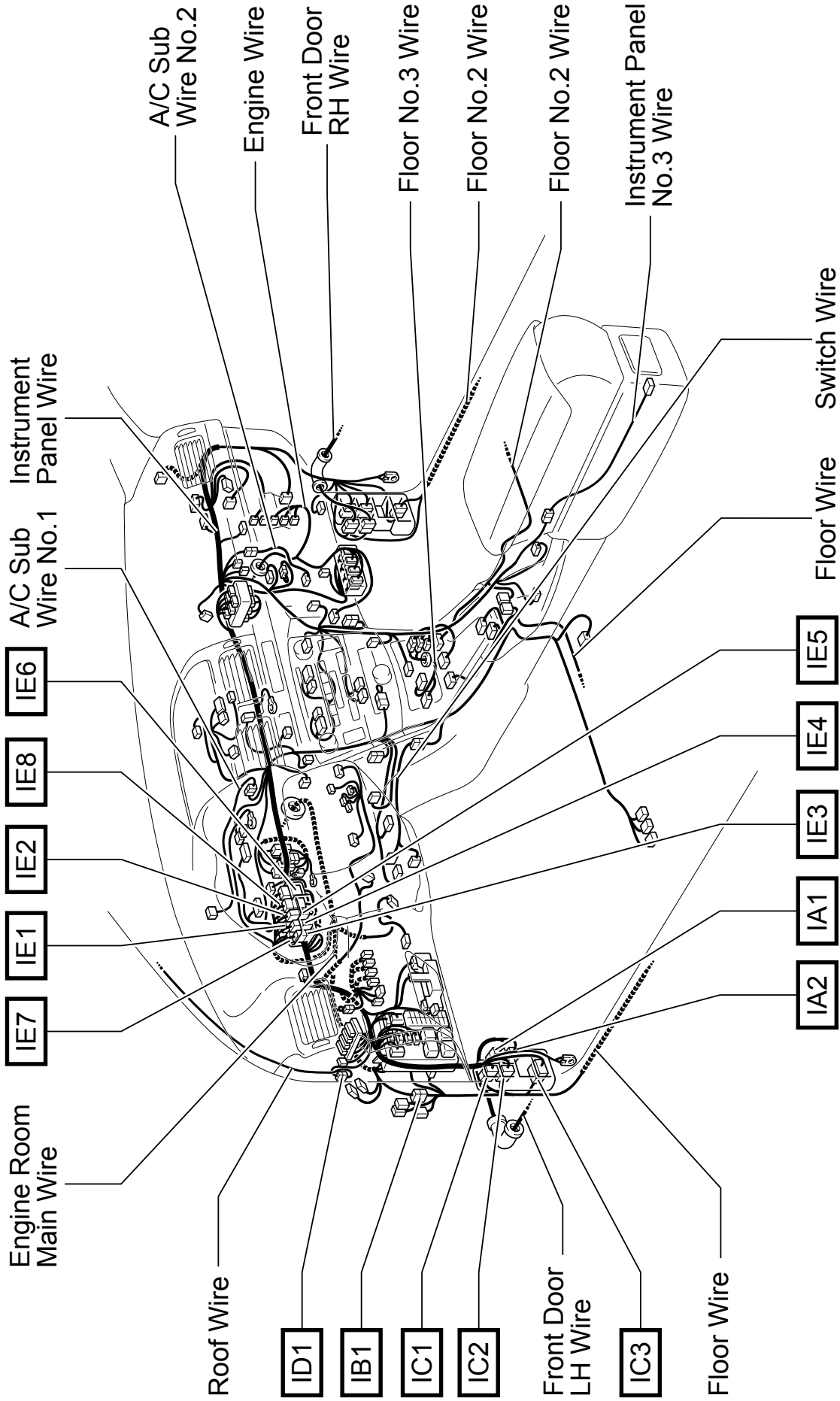
- Z 1 Option Connector (Navigation ECU)
- Z 2 Option Connector (Navigation ECU)

Position of Parts in Instrument Panel <LHD>



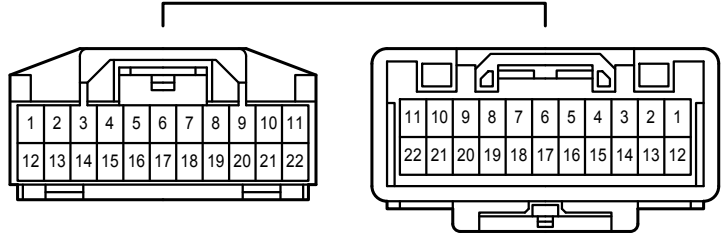
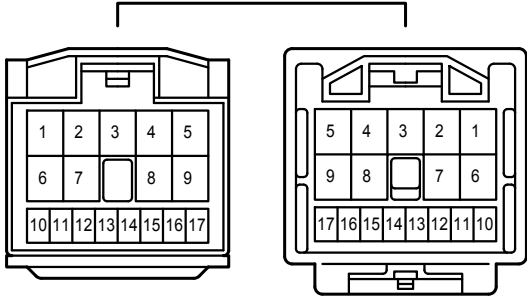
Position of Parts in Instrument Panel <LHD>





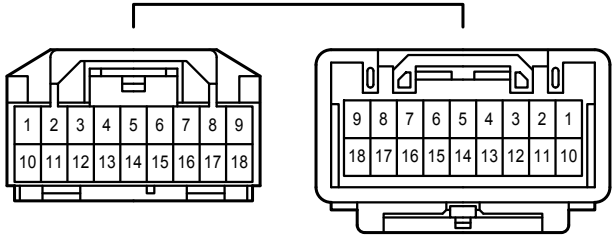
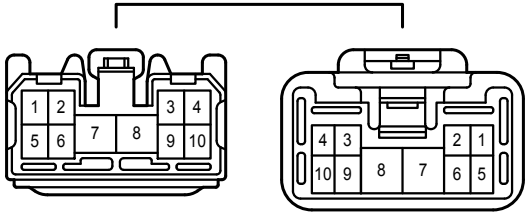
IA1

IA2



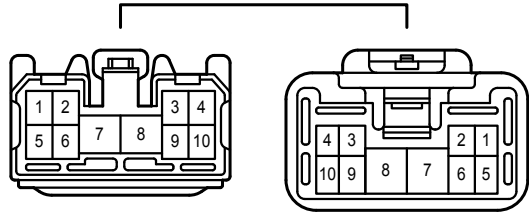
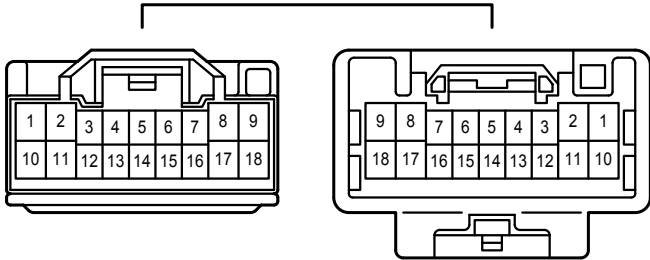
IB1

IC1

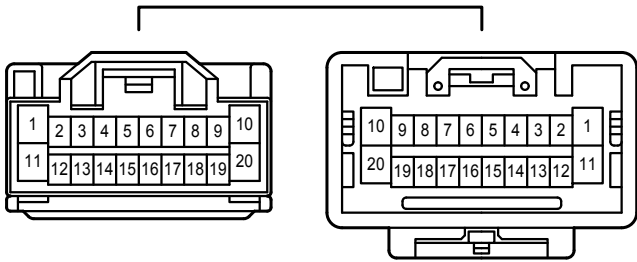


IC2

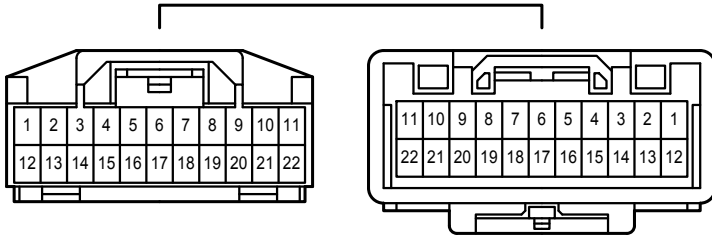
IC3

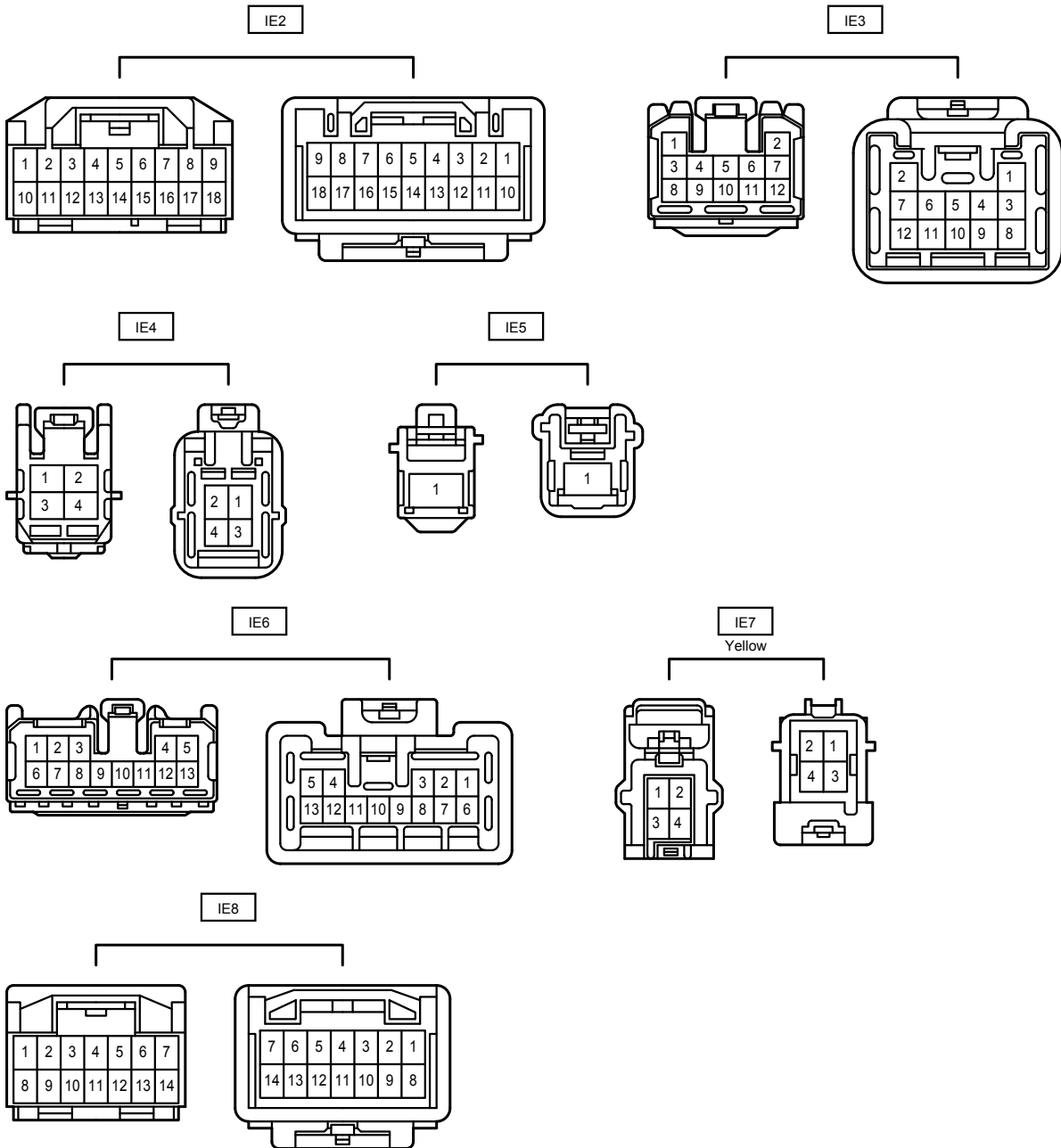


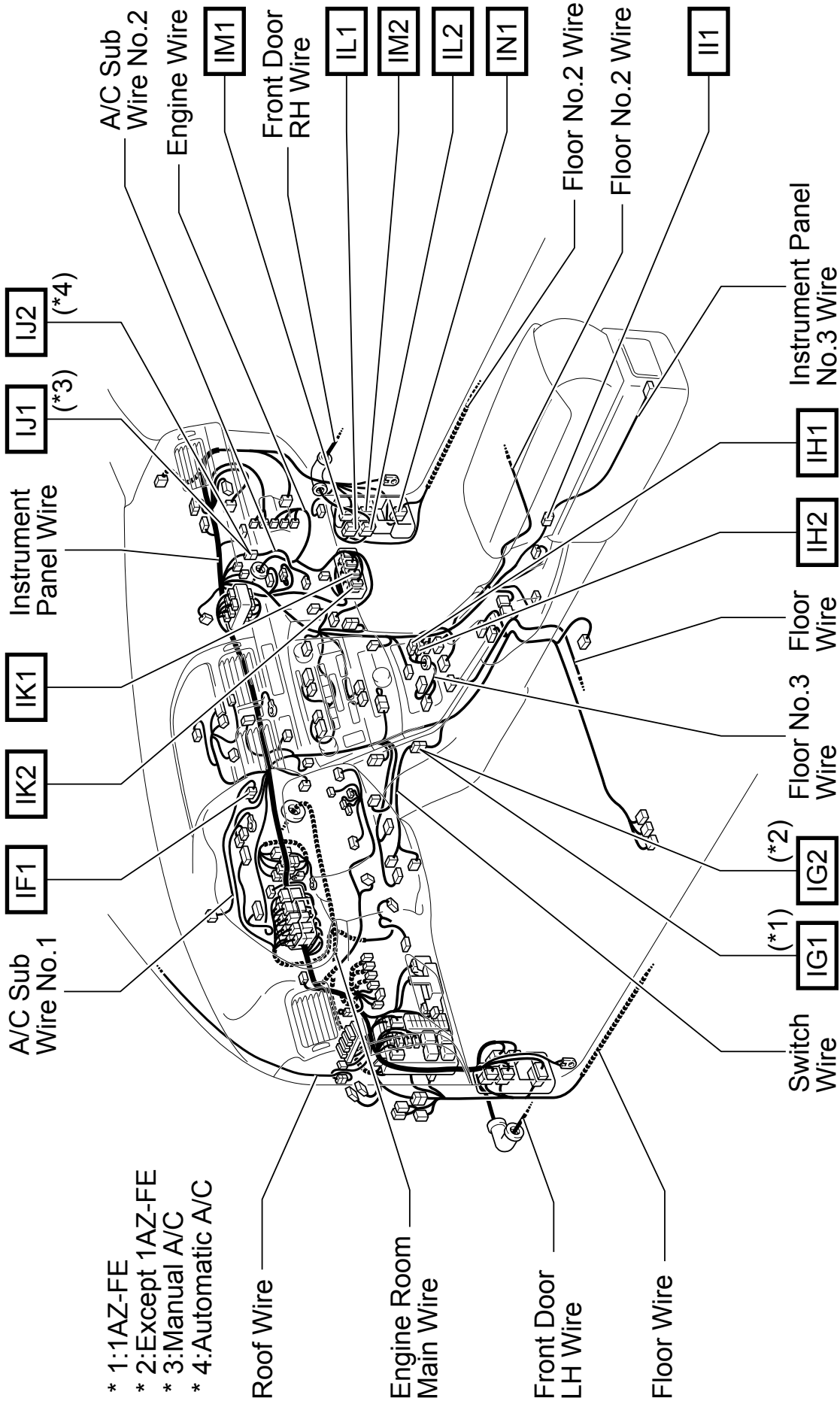
ID1



IE1

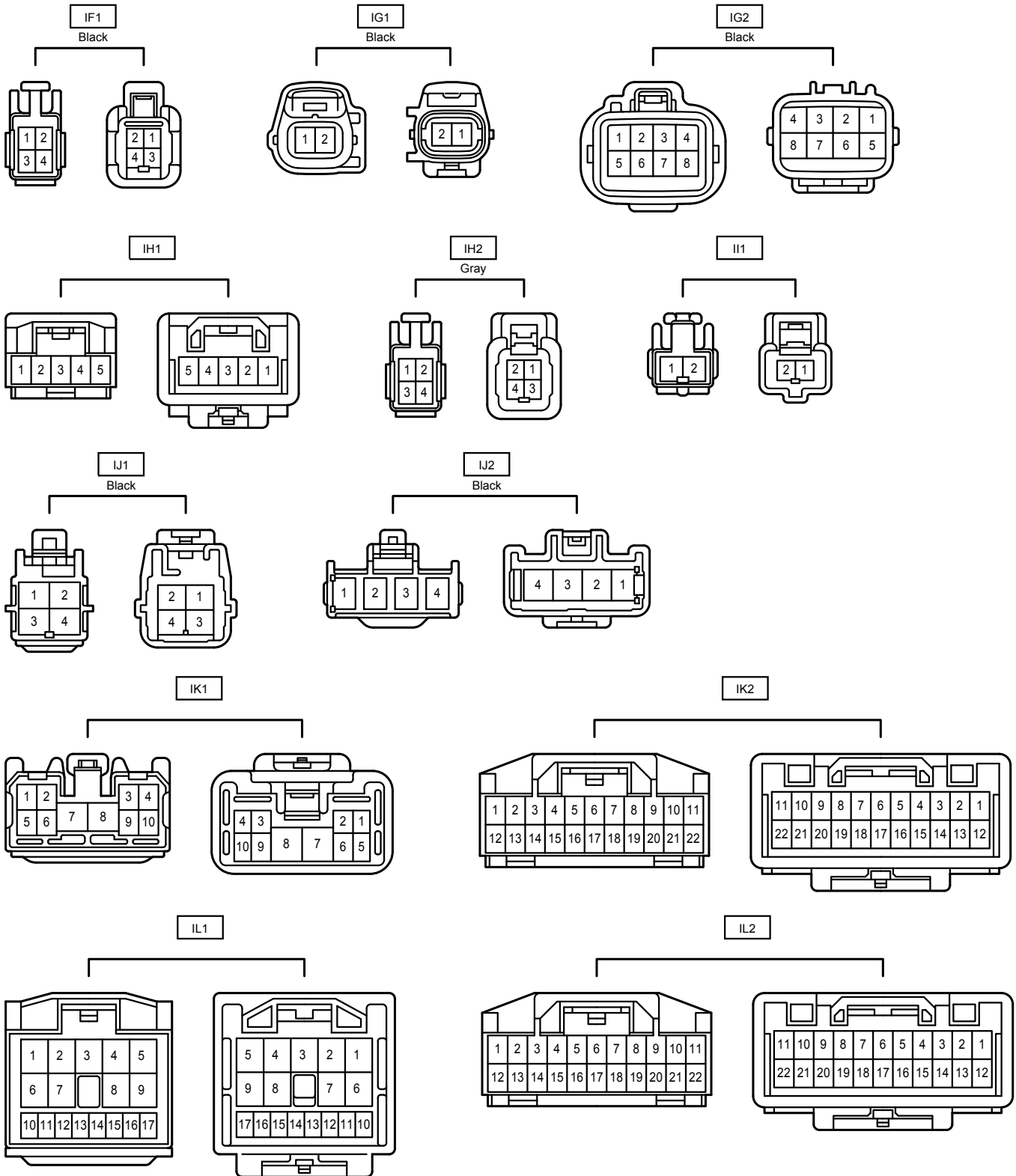


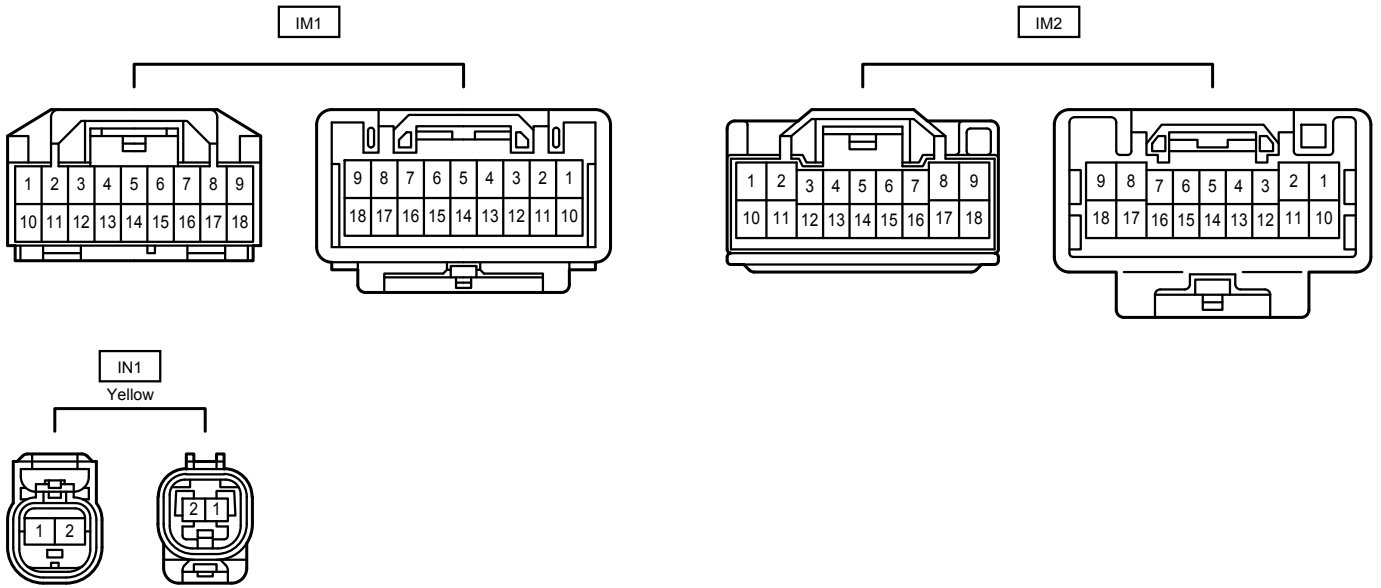




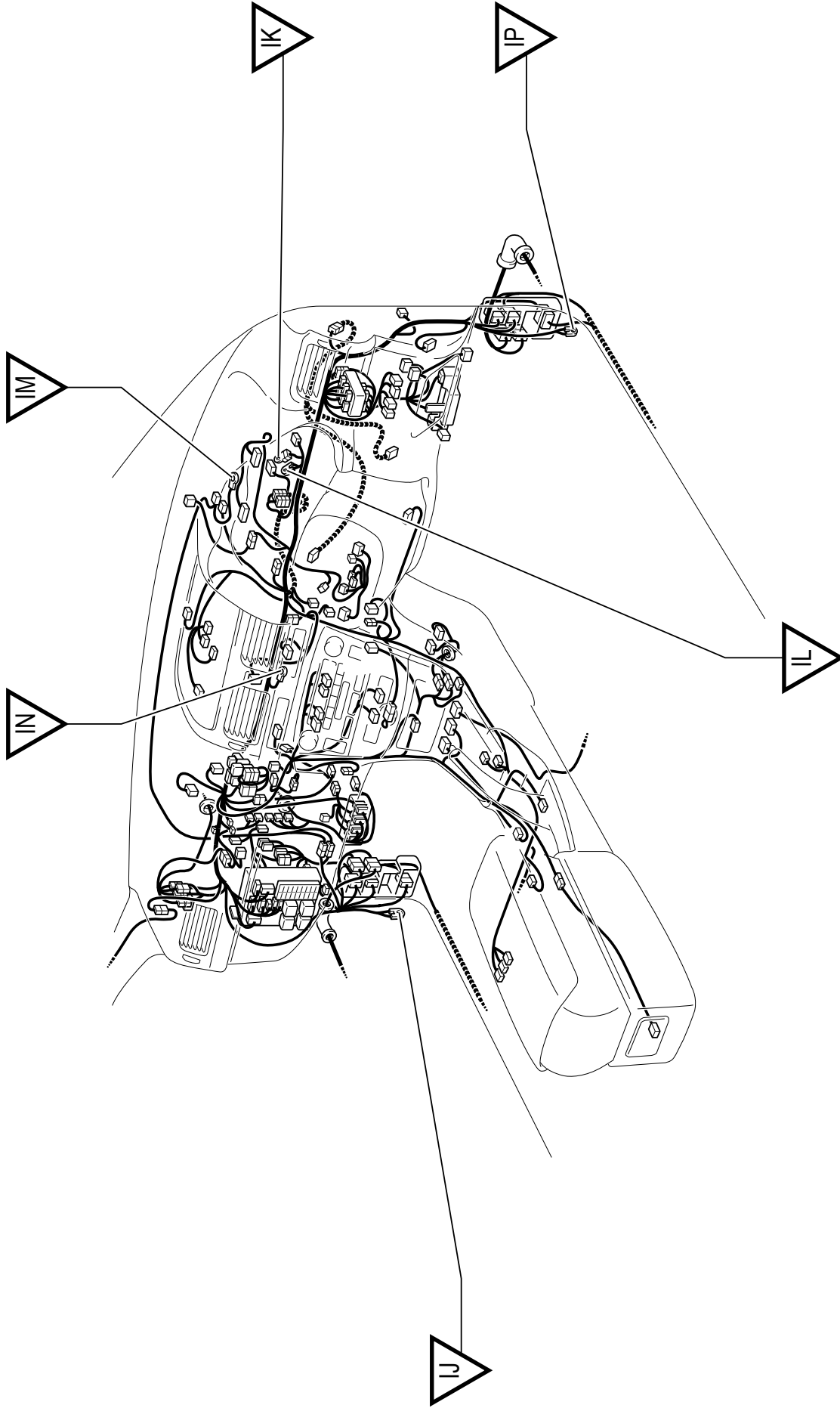
- * 1:1AZ-FE
- * 2:Except 1AZ-FE
- * 3:Manual A/C
- * 4:Automatic A/C

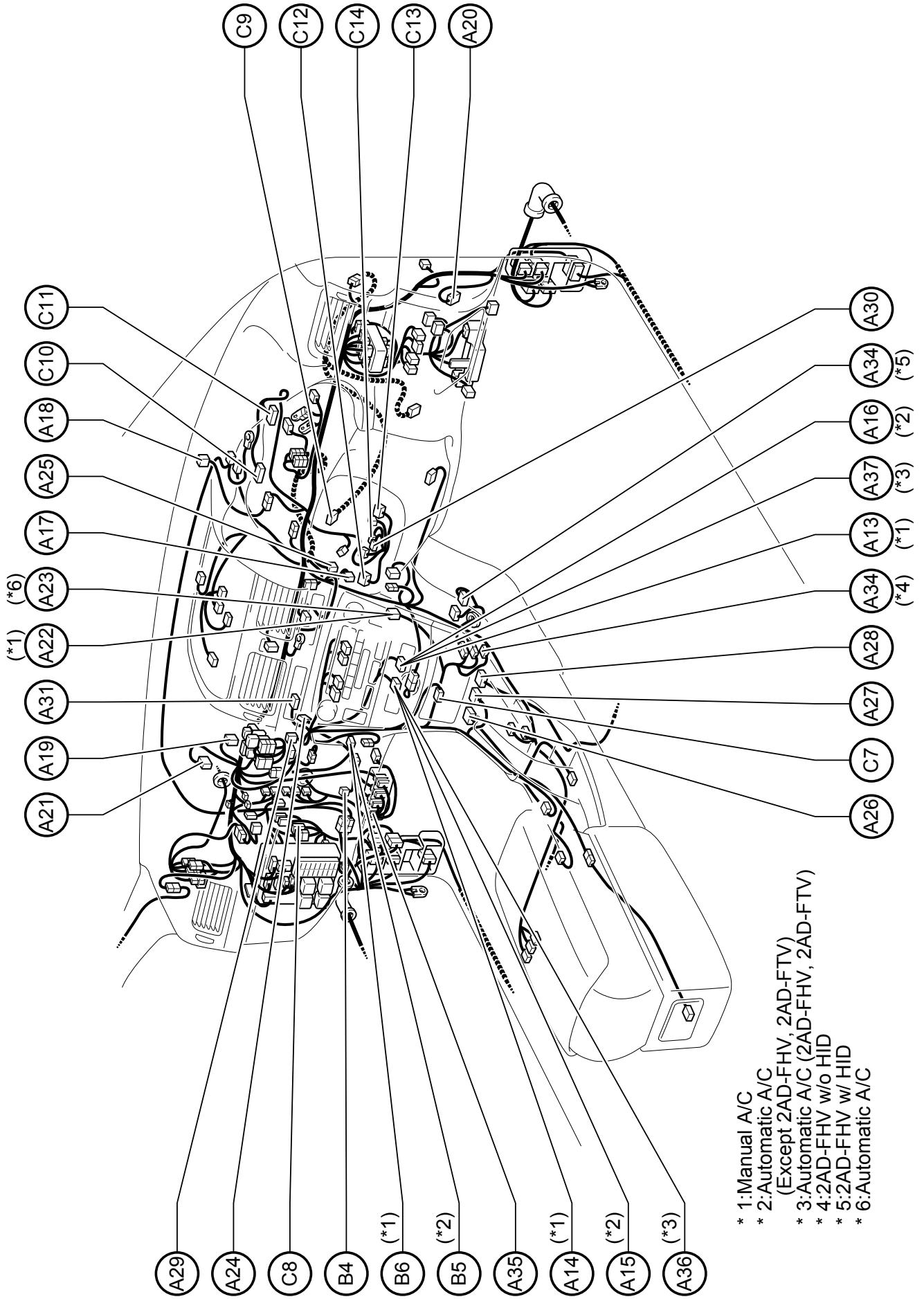
Wire and Wire in Instrument Panel <LHD>





Ground Points in Instrument Panel <RHD>





- * 1: Manual A/C
- * 2: Automatic A/C
(Except 2AD-FHV, 2AD-FTV)
- * 3: Automatic A/C (2AD-FHV, 2AD-FTV)
- * 4: 2AD-FHV w/o HID
- * 5: 2AD-FHV w/ HID
- * 6: Automatic A/C

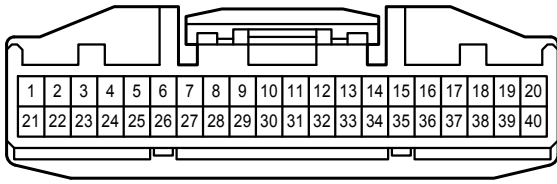
- A 13 A/C Control Assembly
- A 14 A/C Control Assembly
- A 15 A/C Control Assembly
- A 16 A/C Control Assembly
- A 17 A/C Room Temp. Sensor
- A 18 A/C Solar Sensor
- A 19 A/C Thermistor
- A 20 Accel Position Sensor
- A 21 Air Inlet Control Servo Motor
- A 22 Air Mix Control Servo Motor
- A 23 Air Mix Control Servo Motor (Driver Side)
- A 24 Air Mix Control Servo Motor (Front Passenger Side)
- A 25 Air Vent Mode Control Servo Motor
- A 26 Airbag Sensor Assembly
- A 27 Airbag Sensor Assembly
- A 28 Airbag Sensor Assembly
- A 29 Airbag Squib (Front Passenger Airbag Assembly)
- A 30 Airbag Squib (Steering Wheel Pad)
- A 31 Antenna Amplifier
- A 34 Air Fuel Ratio Sensor
- A 35 Air Fuel Ratio Sensor Relay
- A 36 A/C Control Assembly

- B 4 Blower Motor
- B 5 Blower Motor Controller
- B 6 Blower Resistor

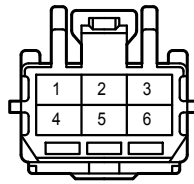
- C 7 Cigarette Lighter , Cigarette Lighter Illumination
- C 8 Circuit Opening Relay
- C 9 Clutch Start SW
- C 10 Combination Meter
- C 11 Combination Meter
- C 12 Combination SW
- C 13 Combination SW
- C 14 Combination SW

Position of Parts in Instrument Panel <RHD>

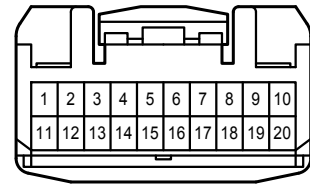
A 13



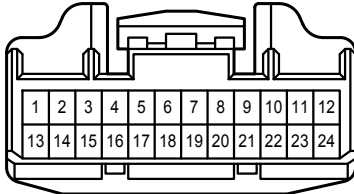
A 14



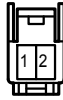
A 15



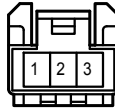
A 16



A 17
Black



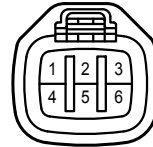
A 18
Black



A 19



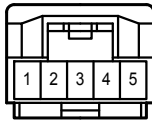
A 20
Black



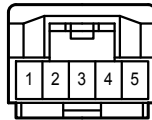
A 21
Black



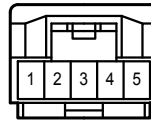
A 22
Black



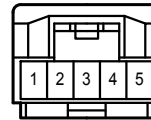
A 23
Black



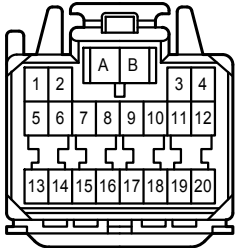
A 24
Black



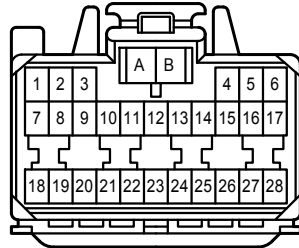
A 25
Black



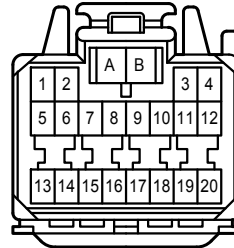
A 26
Yellow



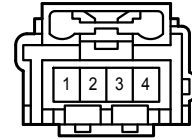
A 27
Yellow



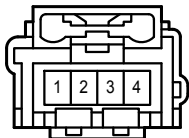
A 28
Yellow



A 29
Yellow



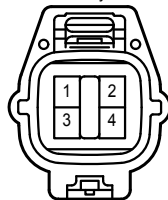
A 30
Yellow



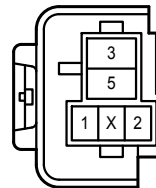
A 31



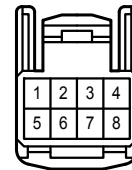
A 34
Gray



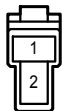
A 35



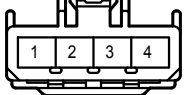
A 36



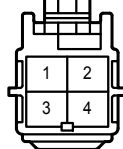
B 4



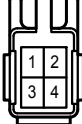
B 5
Black



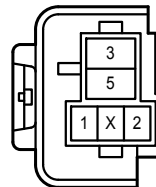
B 6
Black



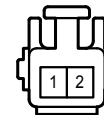
C 7
Black



C 8

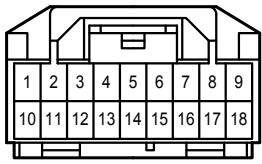


C 9

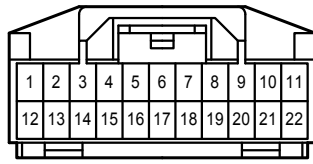


Position of Parts in Instrument Panel <RHD>

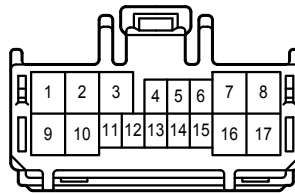
C 10
Blue



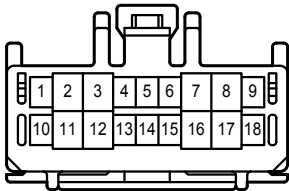
C 11



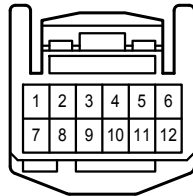
C 12



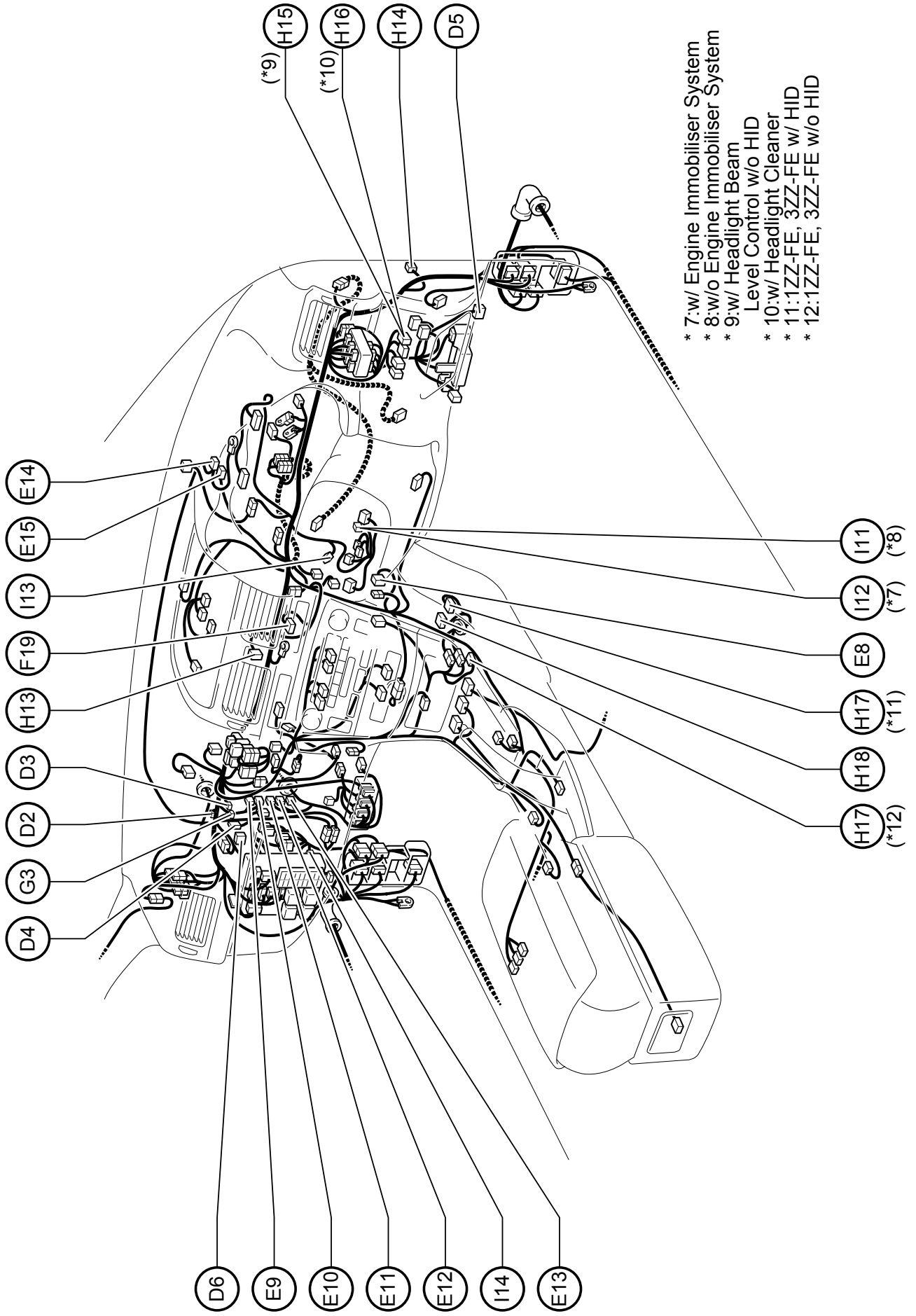
C 13
Black



C 14



Position of Parts in Instrument Panel <RHD>



- D 2 Diode
- D 3 Diode
- D 4 Diode (Fan) (Except 1CD-FTV)
- D 4 Diode (Fan) (1CD-FTV)
- D 5 DLC3
- D 6 Door Control Receiver

- E 8 ECT Pattern Select SW
- E 9 Engine and ECT ECU (A/T) , Engine ECU (M/T)
- E 10 Engine and ECT ECU (A/T) , Engine ECU (M/T)
- E 11 Engine and ECT ECU (A/T) , Engine ECU (M/T)
- E 12 Engine and ECT ECU (A/T) , Engine ECU (M/T)
- E 13 Engine and ECT ECU (A/T) , Engine ECU (M/T)
- E 14 EPS ECU
- E 15 EPS ECU

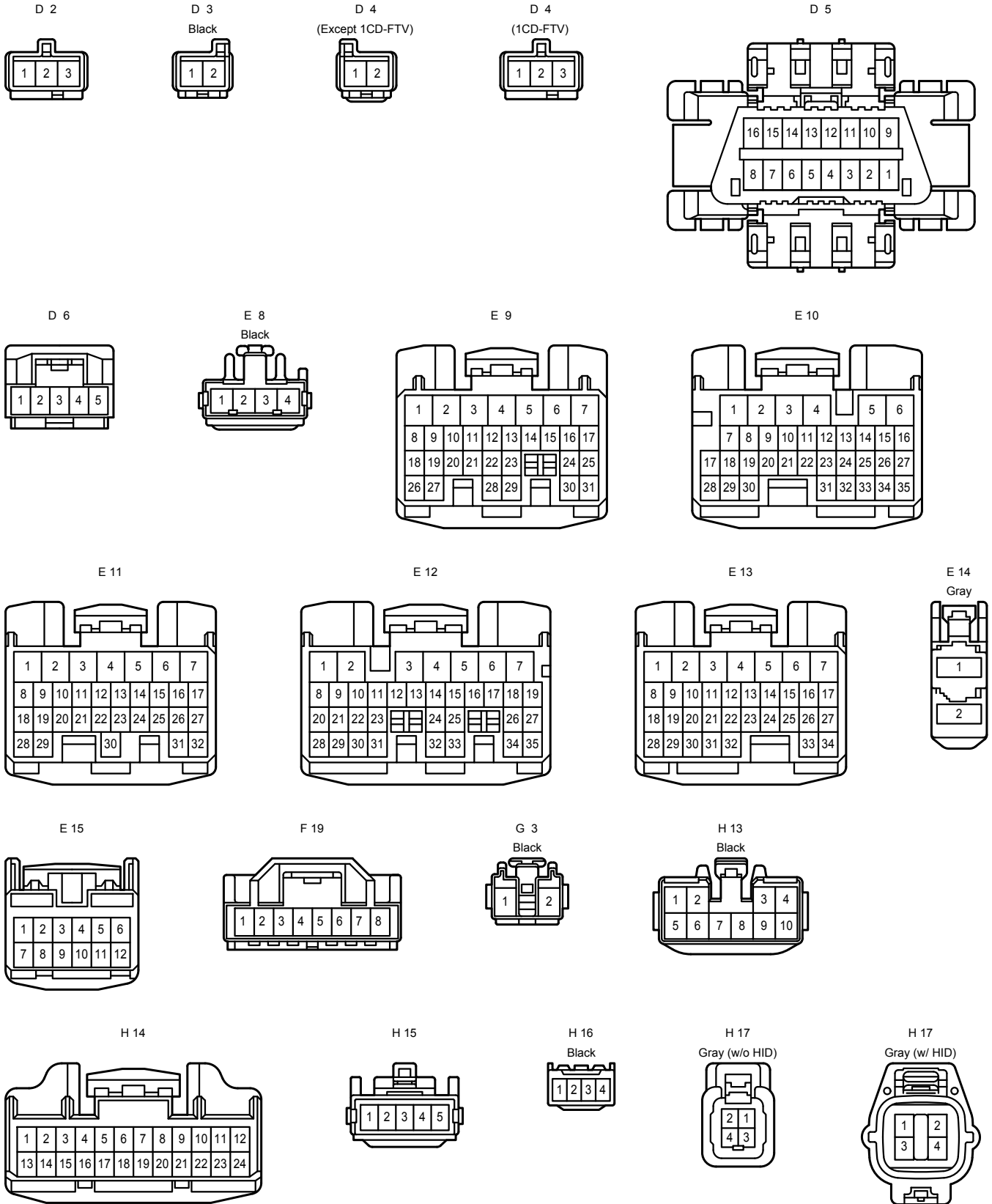
- F 19 Front Passenger's Seat Belt Warning Light , Rear Window Defogger SW , Security Indicator Light

- G 3 Glove Box Light

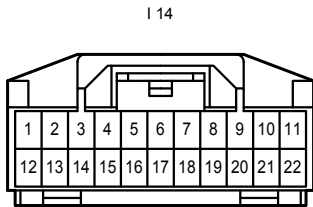
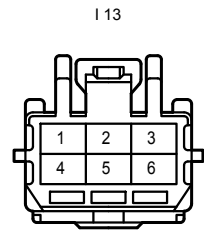
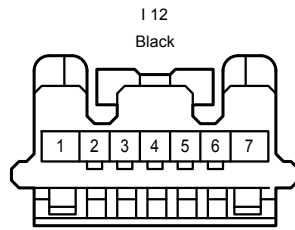
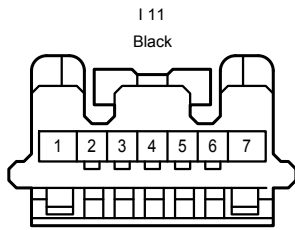
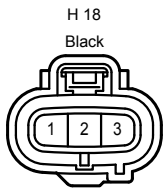
- H 13 Hazard SW
- H 14 Headlight Beam Level Control ECU
- H 15 Headlight Beam Level Control SW
- H 16 Headlight Cleaner SW
- H 17 Heated Oxygen Sensor (Bank 1 Sensor 2) (w/o HID)
- H 17 Heated Oxygen Sensor (Bank 1 Sensor 2) (w/ HID)
- H 18 Height Control Sensor (Front)

- I 11 Ignition Key Cylinder Light
- I 12 Ignition Key Cylinder Light , Transponder Key Amplifier
- I 13 Ignition SW
- I 14 Integration Relay

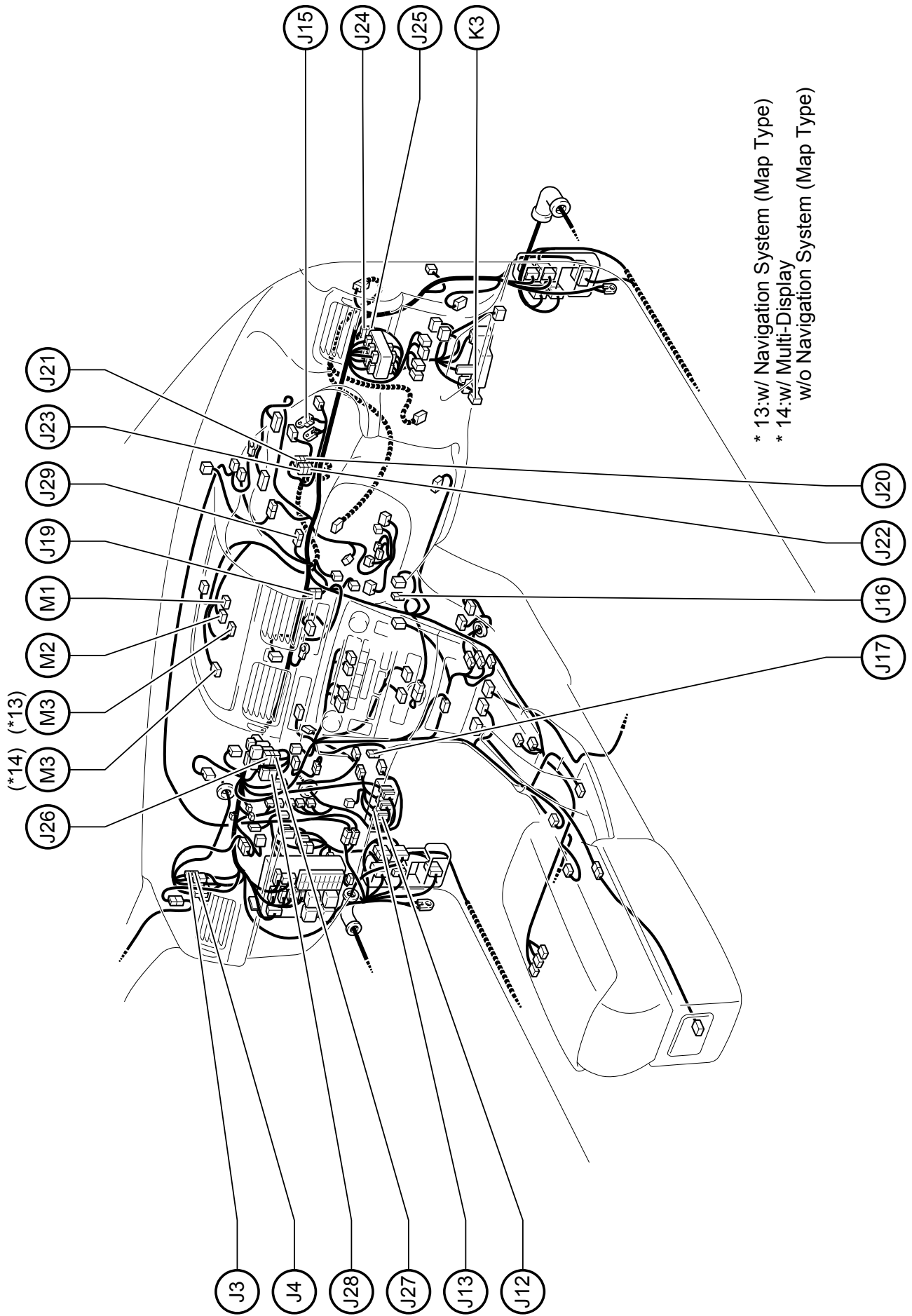
Position of Parts in Instrument Panel <RHD>



Position of Parts in Instrument Panel <RHD>



Position of Parts in Instrument Panel <RHD>



* 13:w/ Navigation System (Map Type)
* 14:w/ Multi-Display
w/o Navigation System (Map Type)

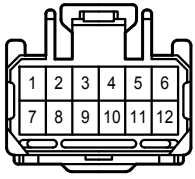
- J 3 Junction Connector
- J 4 Junction Connector
- J 12 Junction Connector
- J 13 Junction Connector
- J 15 Junction Connector
- J 16 Junction Connector
- J 17 Junction Connector
- J 19 Junction Connector
- J 20 Junction Connector
- J 21 Junction Connector
- J 22 Junction Connector
- J 23 Junction Connector
- J 24 Junction Connector
- J 25 Junction Connector
- J 26 Junction Connector
- J 27 Junction Connector
- J 28 Junction Connector
- J 29 Junction Connector

K 3 Knee Airbag Squib

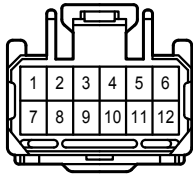
- M 1 Multi-Display (w/o Navigation System (Map Type))
- M 1 Multi-Display (w/ Navigation System (Map Type))
- M 2 Multi-Display (w/o Navigation System (Map Type))
- M 2 Multi-Display (w/ Navigation System (Map Type))
- M 3 Multi-Display

Position of Parts in Instrument Panel <RHD>

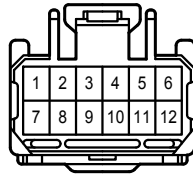
J 3



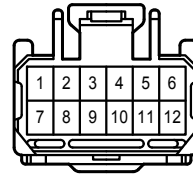
J 4



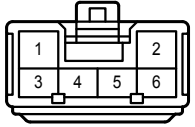
J 12



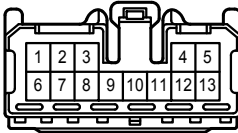
J 13



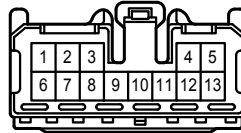
J 15



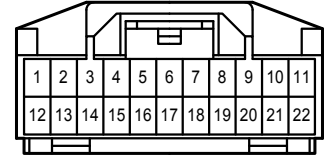
J 16



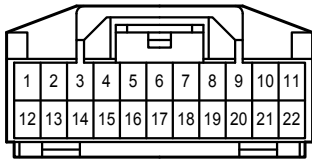
J 17



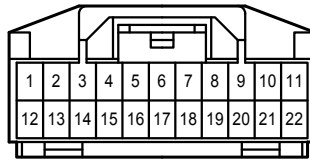
J 19



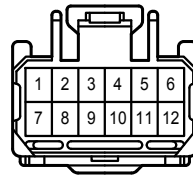
J 20



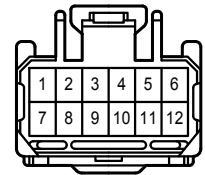
J 21



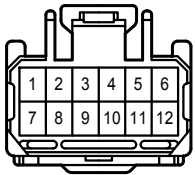
J 22



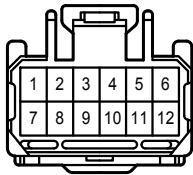
J 23



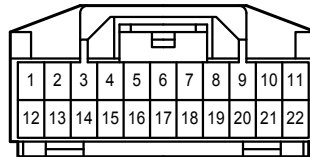
J 24



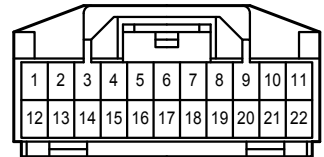
J 25



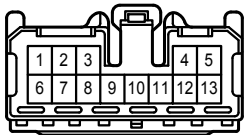
J 26



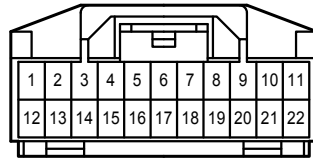
J 27



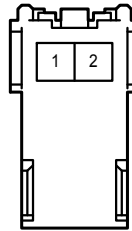
J 28



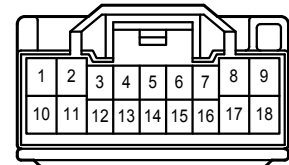
J 29



K 3
Yellow

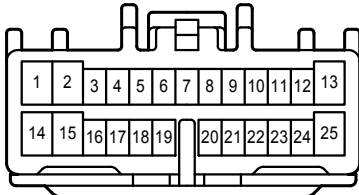


M 1
(w/o Navigation System (Map Type))



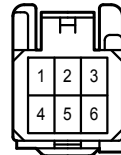
M 1

(w/ Navigation System (Map Type))



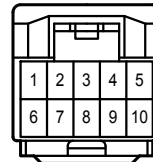
M 2

(w/o Navigation System (Map Type))



M 2

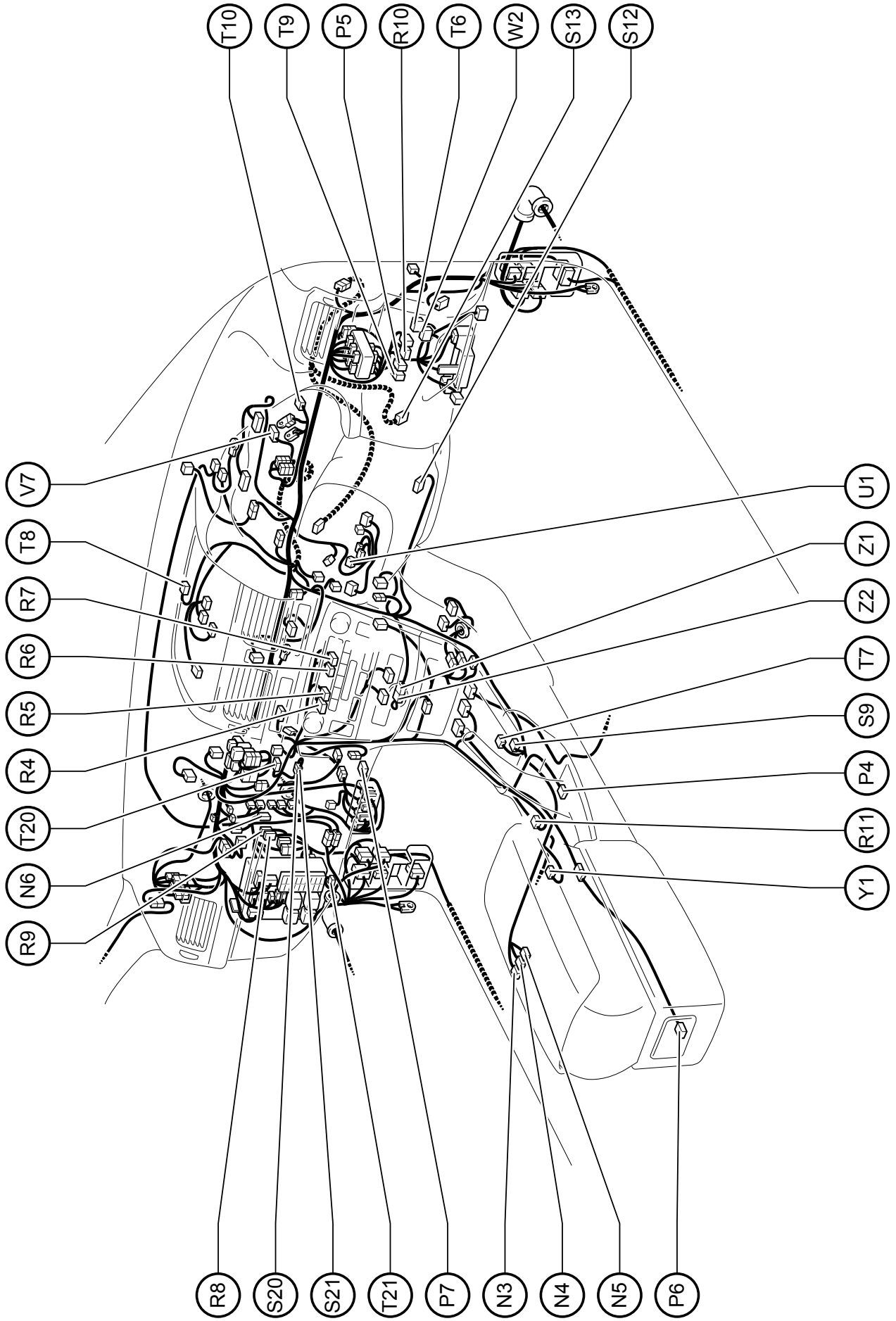
(w/ Navigation System (Map Type))



M 3



Position of Parts in Instrument Panel <RHD>



- N 3 Navigation ECU
- N 4 Navigation ECU
- N 5 Navigation ECU
- N 6 Noise Filter (Rear Window Defogger No.1)

- P 4 Parking Brake SW
- P 5 Power Heater SW (Power Heater (Combustion Type))
- P 5 Power Heater SW (Power Heater (Hot Gas Type))
- P 6 Power Outlet
- P 7 PTC Heater

- R 4 Radio and Player
- R 5 Radio and Player
- R 6 Radio and Player
- R 7 Radio and Player
- R 8 Rear Fog Light Relay
- R 9 Rear Window Defogger Relay
- R 10 Remote Control Mirror SW
- R 11 Remote Controller (Navigation)

- S 9 Shift Lock Control ECU
- S 12 Steering Sensor
- S 13 Stop Light SW (LHD 1AZ-FE)
- S 13 Stop Light SW (Except LHD 1AZ-FE)
- S 20 Short Connector
- S 21 Short Connector

- T 6 Theft Deterrent ECU
- T 7 Transmission Control SW
- T 8 Transponder Key Computer
- T 9 TRC Off SW
- T 10 Turn Signal Flasher Relay
- T 20 Tire Pressure Monitor ECU
- T 21 Tire Pressure Warning SW

- U 1 Unlock Warning SW

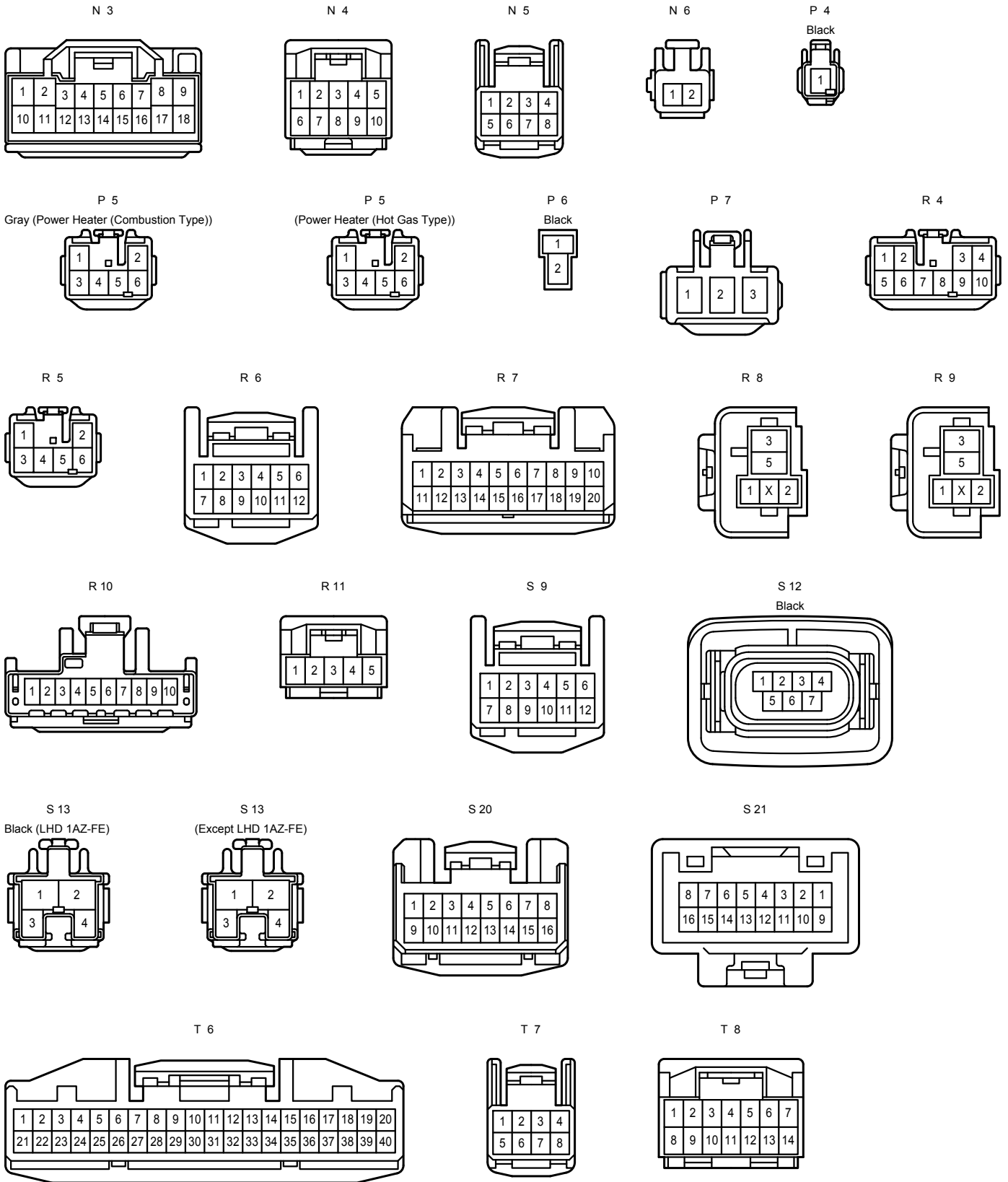
- V 7 VSC Warning Buzzer

- W 2 Wiper Relay

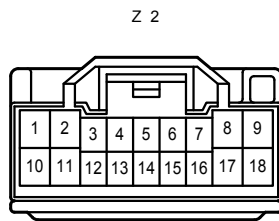
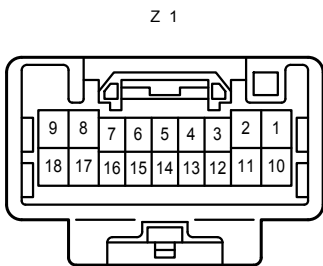
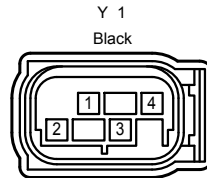
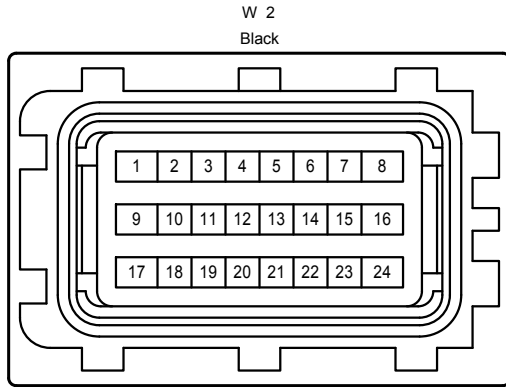
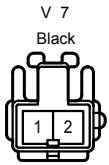
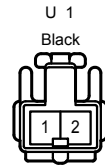
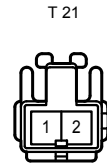
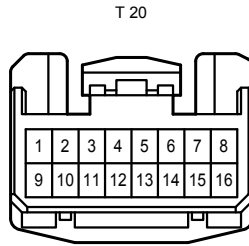
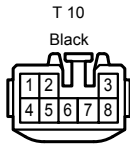
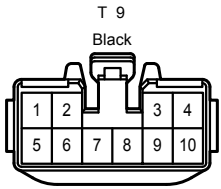
- Y 1 Yaw Rate Sensor

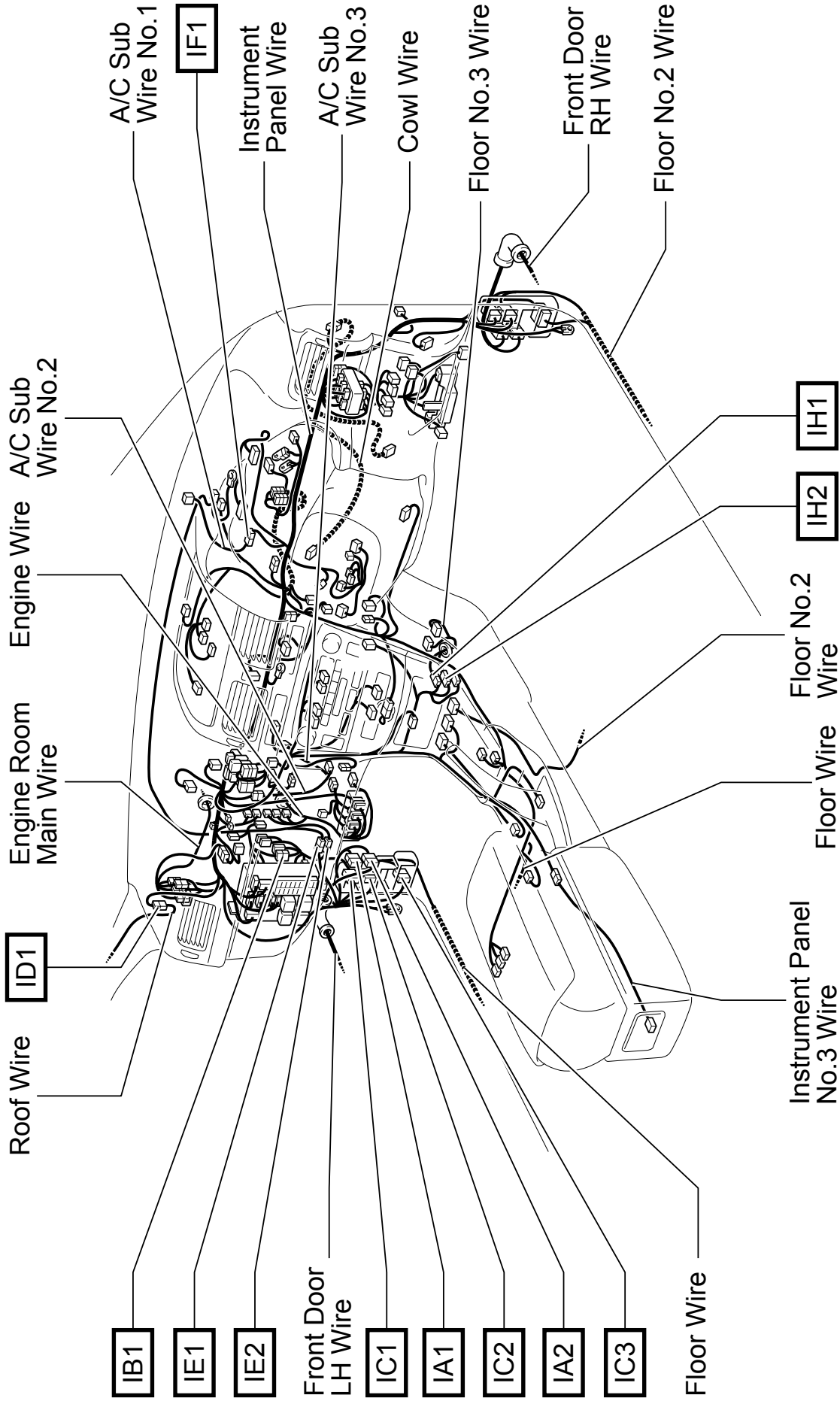
- Z 1 Option Connector (Navigation ECU)
- Z 2 Option Connector (Navigation ECU)

Position of Parts in Instrument Panel <RHD>



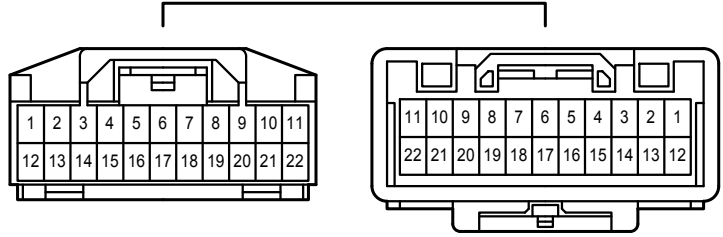
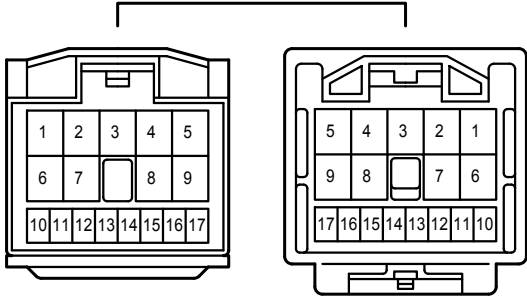
Position of Parts in Instrument Panel <RHD>





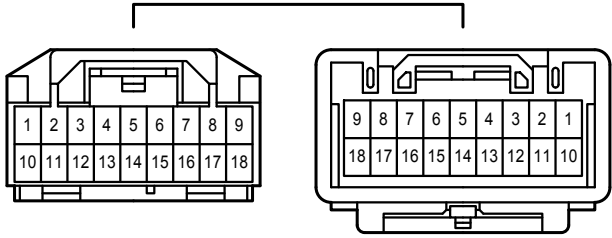
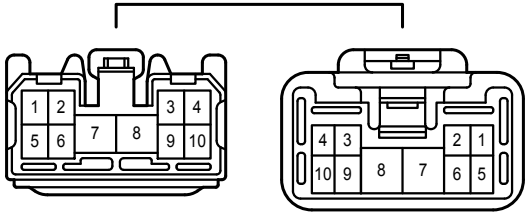
IA1

IA2



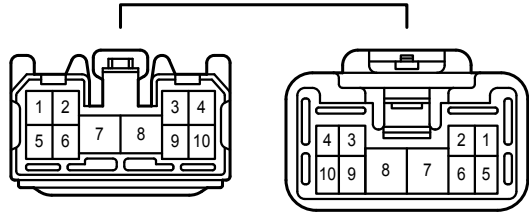
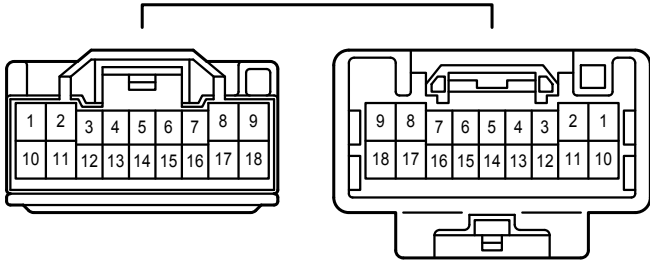
IB1

IC1

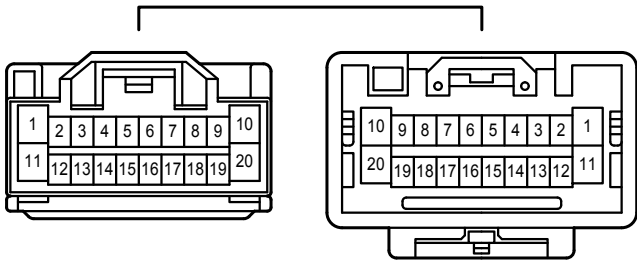


IC2

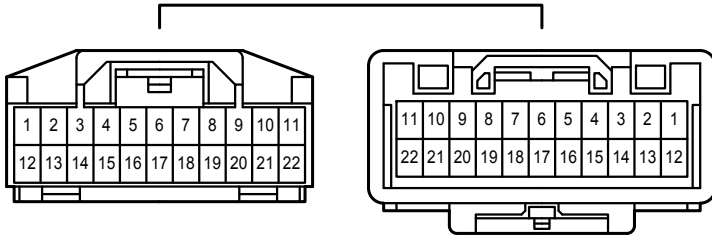
IC3

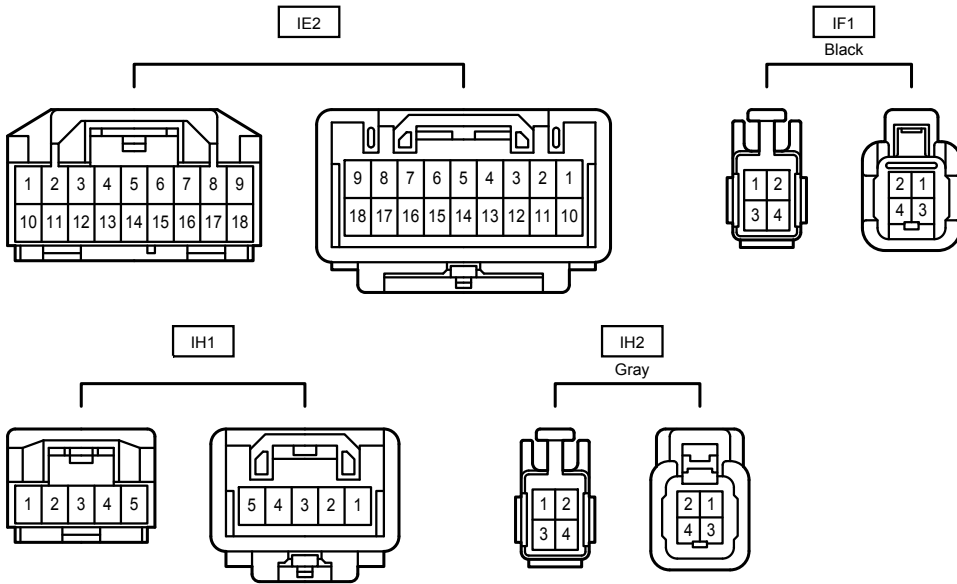


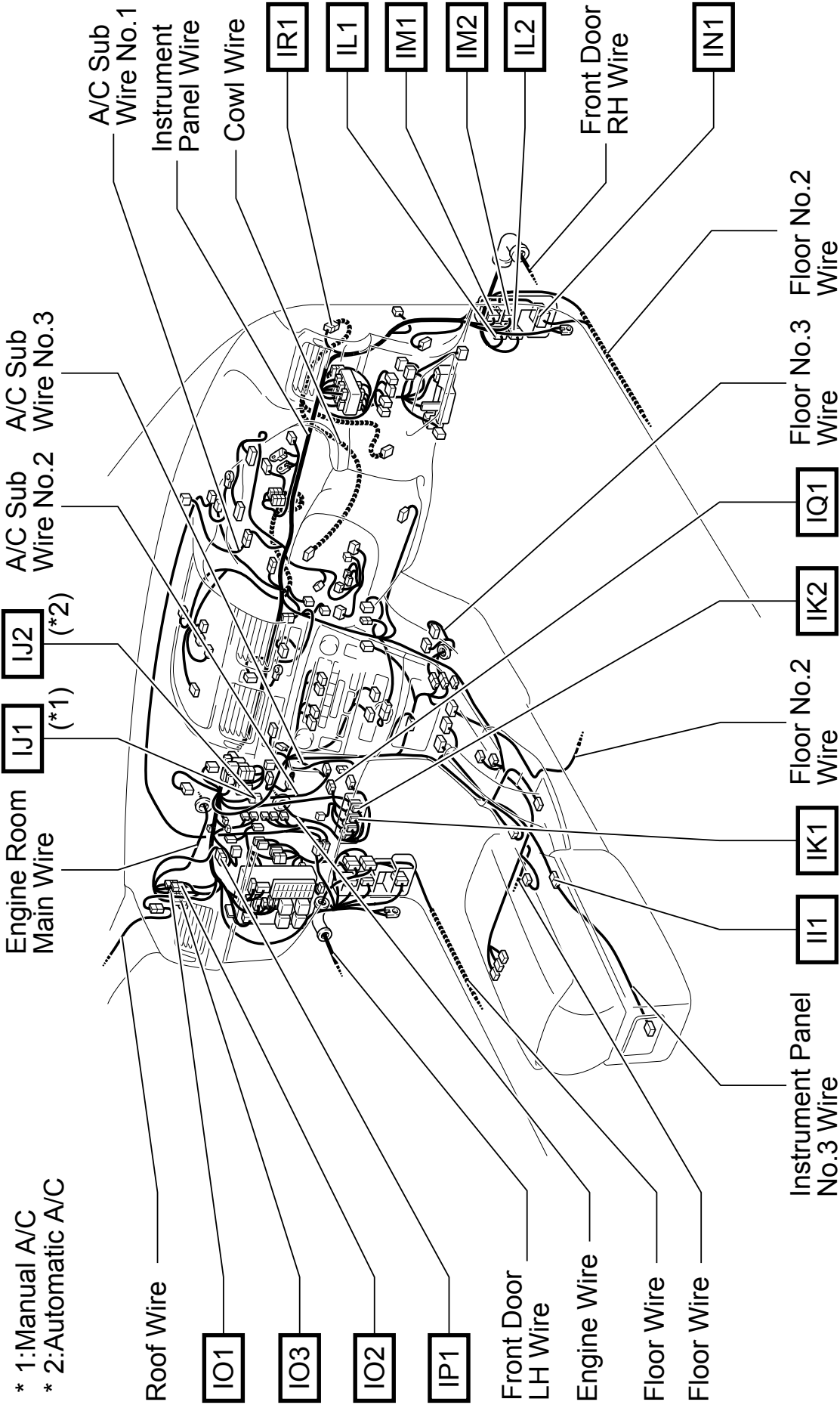
ID1



IE1

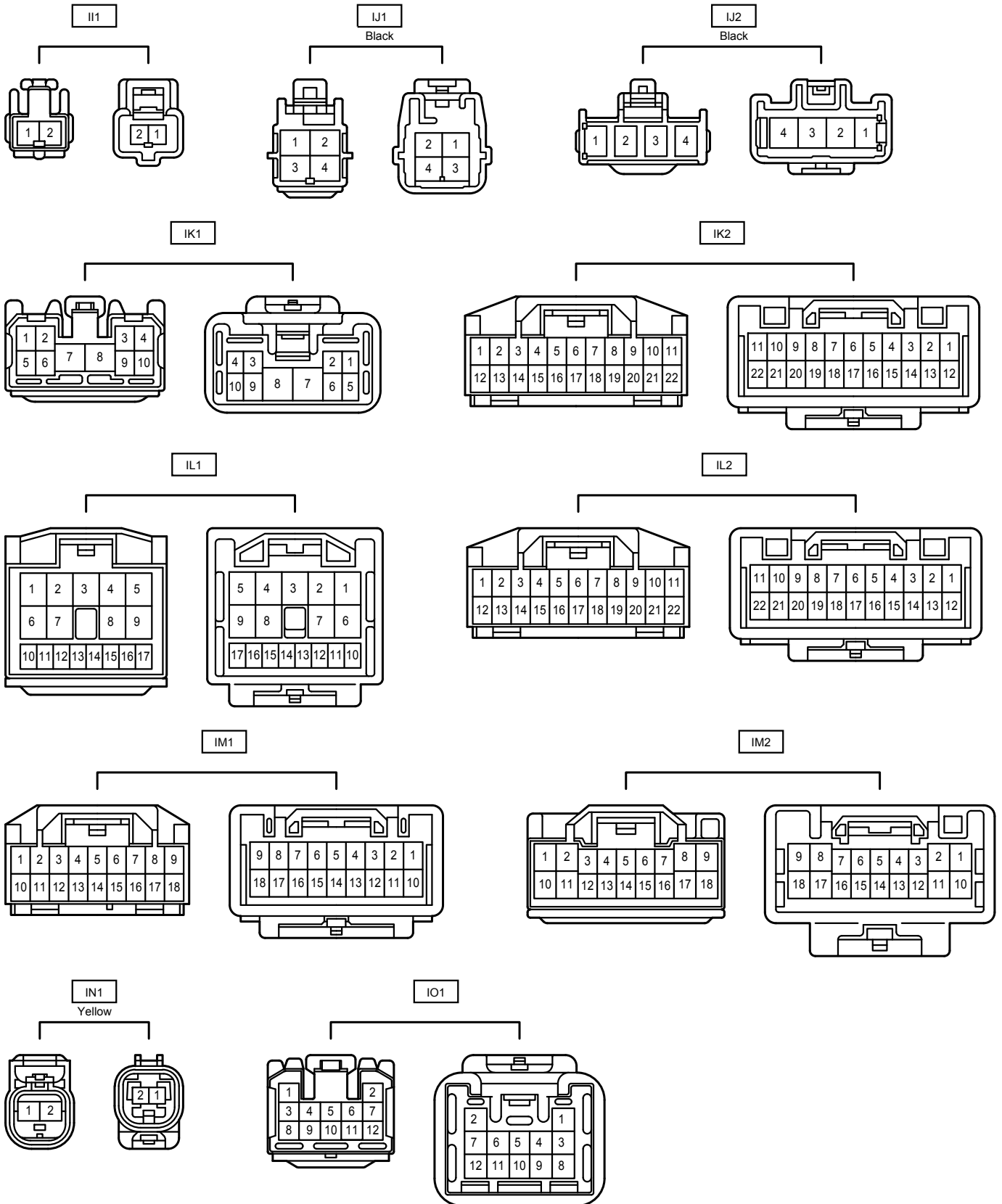


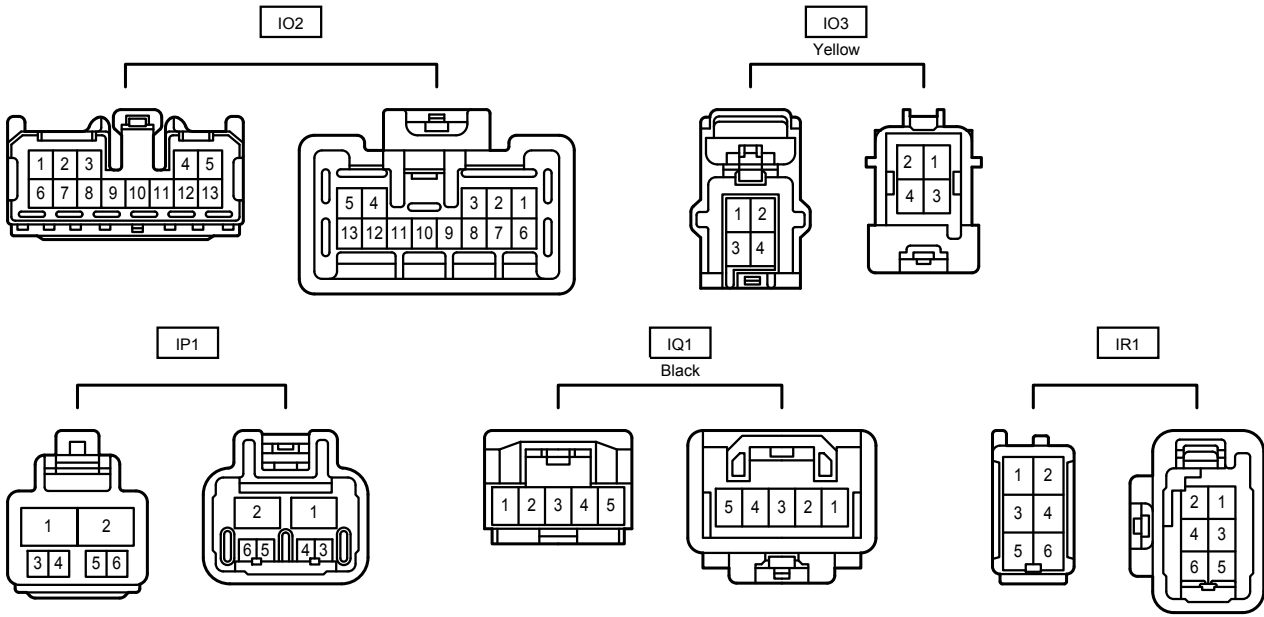


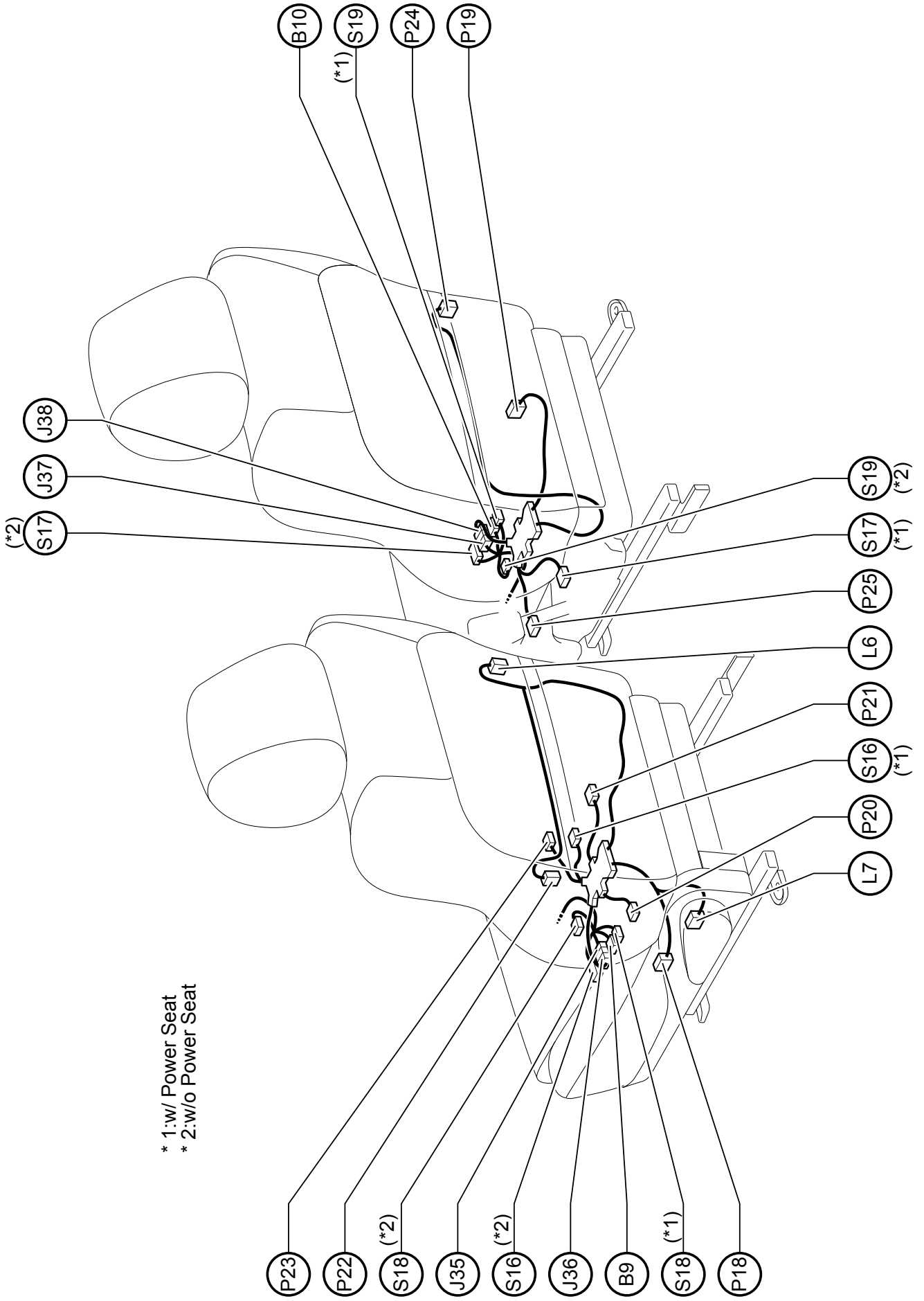


* 1:Manual A/C
 * 2:Automatic A/C

Wire and Wire in Instrument Panel <RHD>







* 1:w/ Power Seat
* 2:w/o Power Seat

- B 9 Buckle SW (Driver's Side)
- B 10 Buckle SW (Front Passenger's Side) , Occupant Detection Sensor

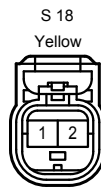
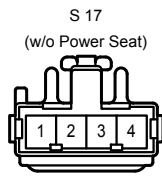
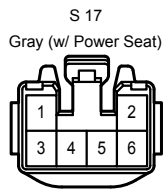
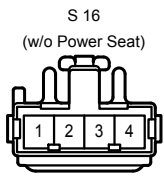
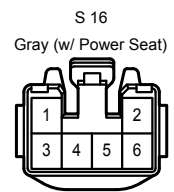
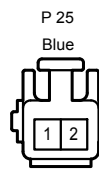
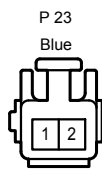
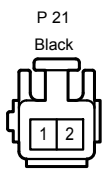
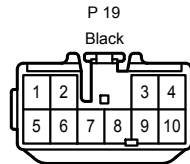
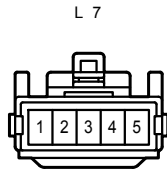
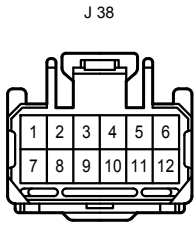
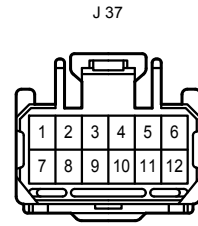
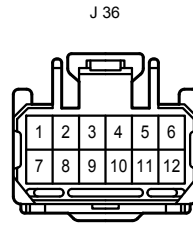
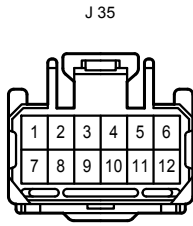
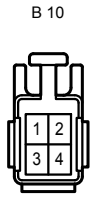
- J 35 Junction Connector
- J 36 Junction Connector
- J 37 Junction Connector
- J 38 Junction Connector

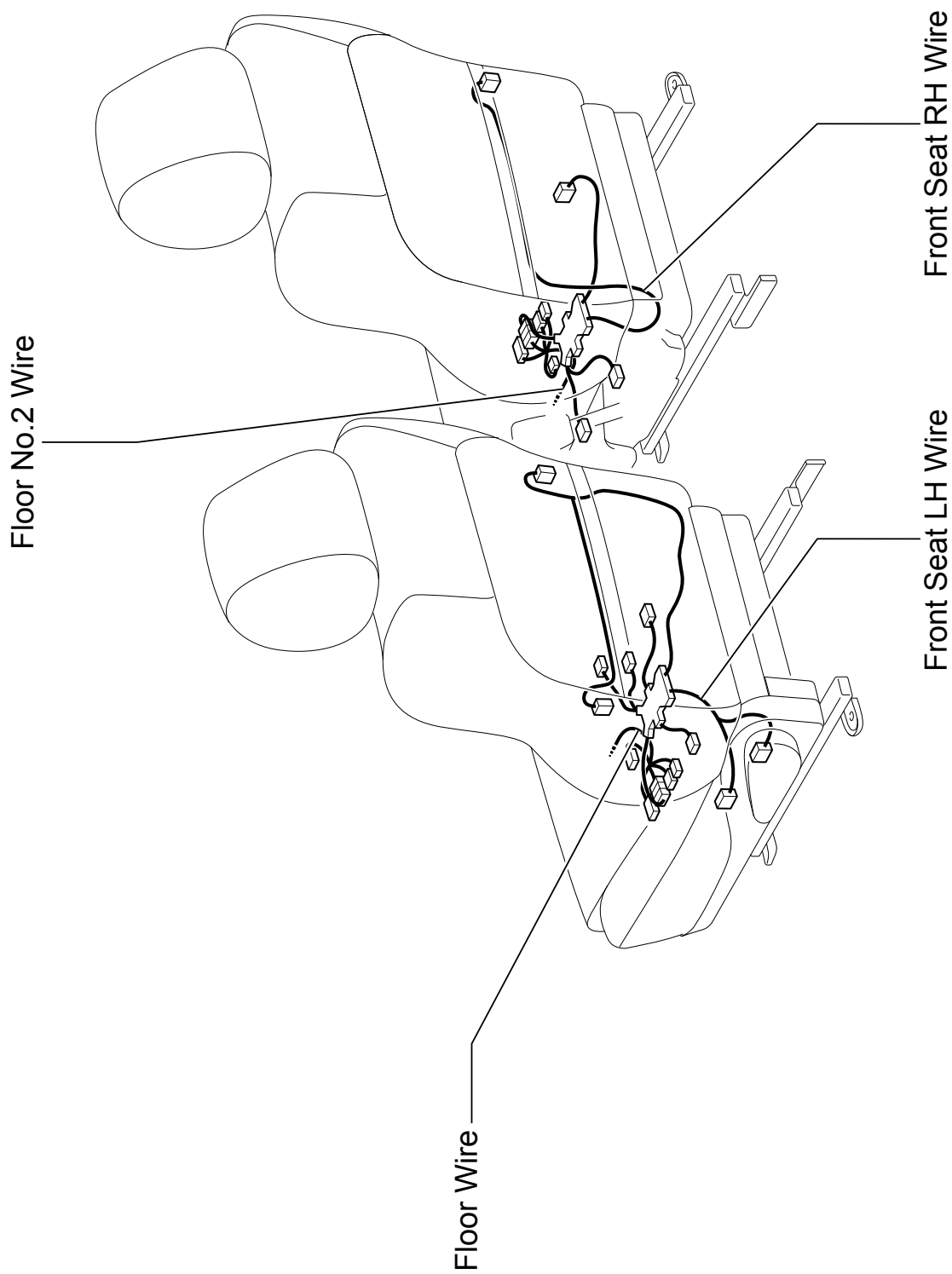
- L 6 Lumbar Support Control Motor
- L 7 Lumbar Support Control SW

- P 19 Power Seat Control SW (Front Passenger's Seat)
- P 20 Power Seat Motor (Driver's Seat Front Vertical Control)
- P 21 Power Seat Motor (Driver's Seat Lifter Control)
- P 22 Power Seat Motor (Driver's Seat Reclining Control)
- P 23 Power Seat Motor (Driver's Seat Slide Control)
- P 24 Power Seat Motor (Front Passenger's Seat Reclining Control)
- P 25 Power Seat Motor (Front Passenger's Seat Slide Control)

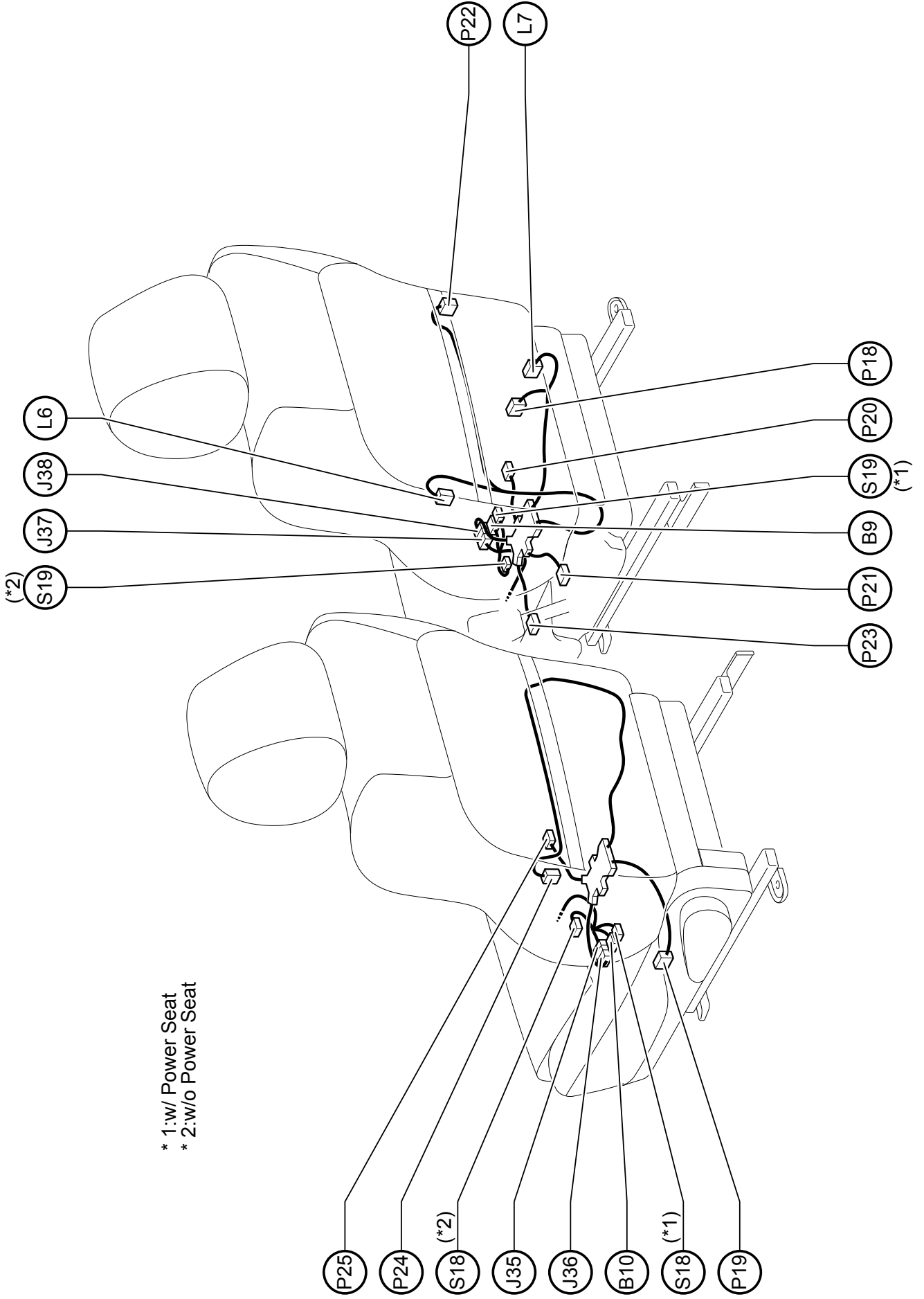
- S 16 Seat Heater LH (w/ Power Seat)
- S 16 Seat Heater LH (w/o Power Seat)
- S 17 Seat Heater RH (w/ Power Seat)
- S 17 Seat Heater RH (w/o Power Seat)
- S 18 Side Airbag Squib LH
- S 19 Side Airbag Squib RH

Position of Parts in Seat <LHD>





Position of Parts in Seat <RHD>



* 1:w/ Power Seat
* 2:w/o Power Seat

Position of Parts in Seat <RHD>

- B 9 Buckle SW (Driver's Side)
- B 10 Buckle SW (Front Passenger's Side) , Occupant Detection Sensor

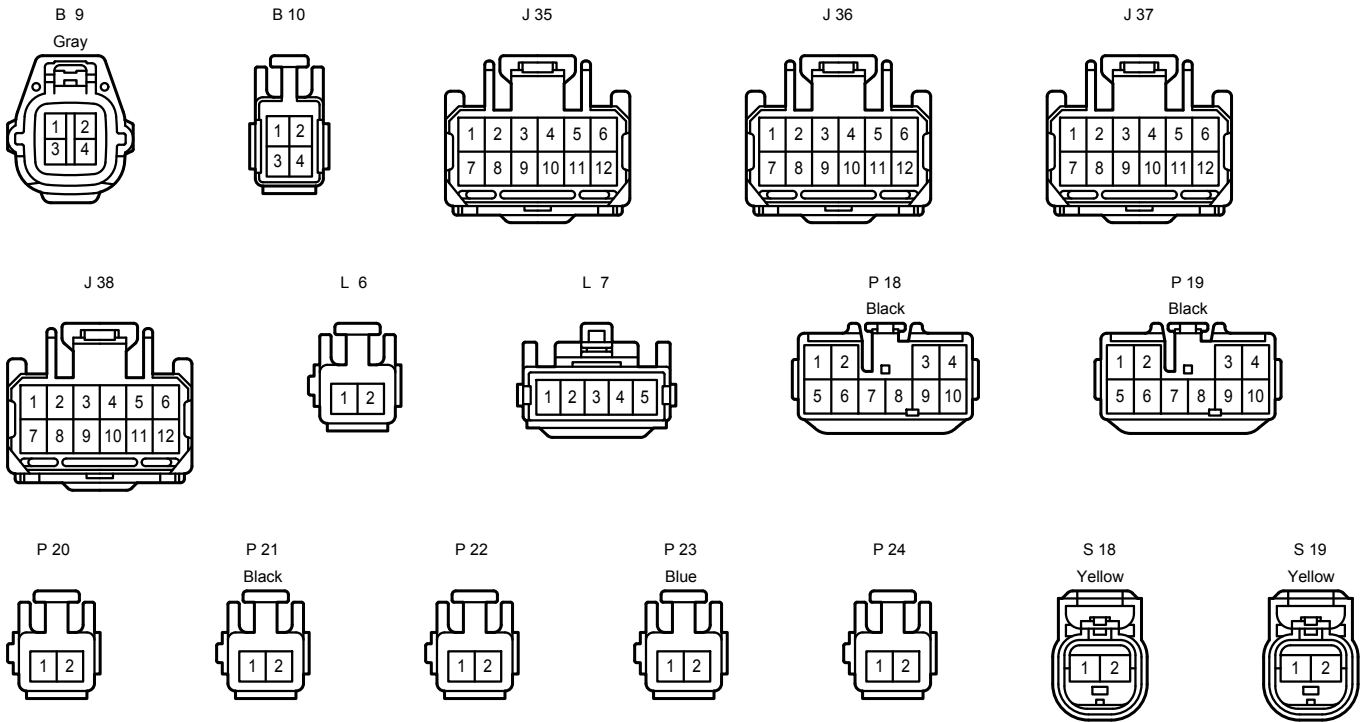
- J 35 Junction Connector
- J 36 Junction Connector
- J 37 Junction Connector
- J 38 Junction Connector

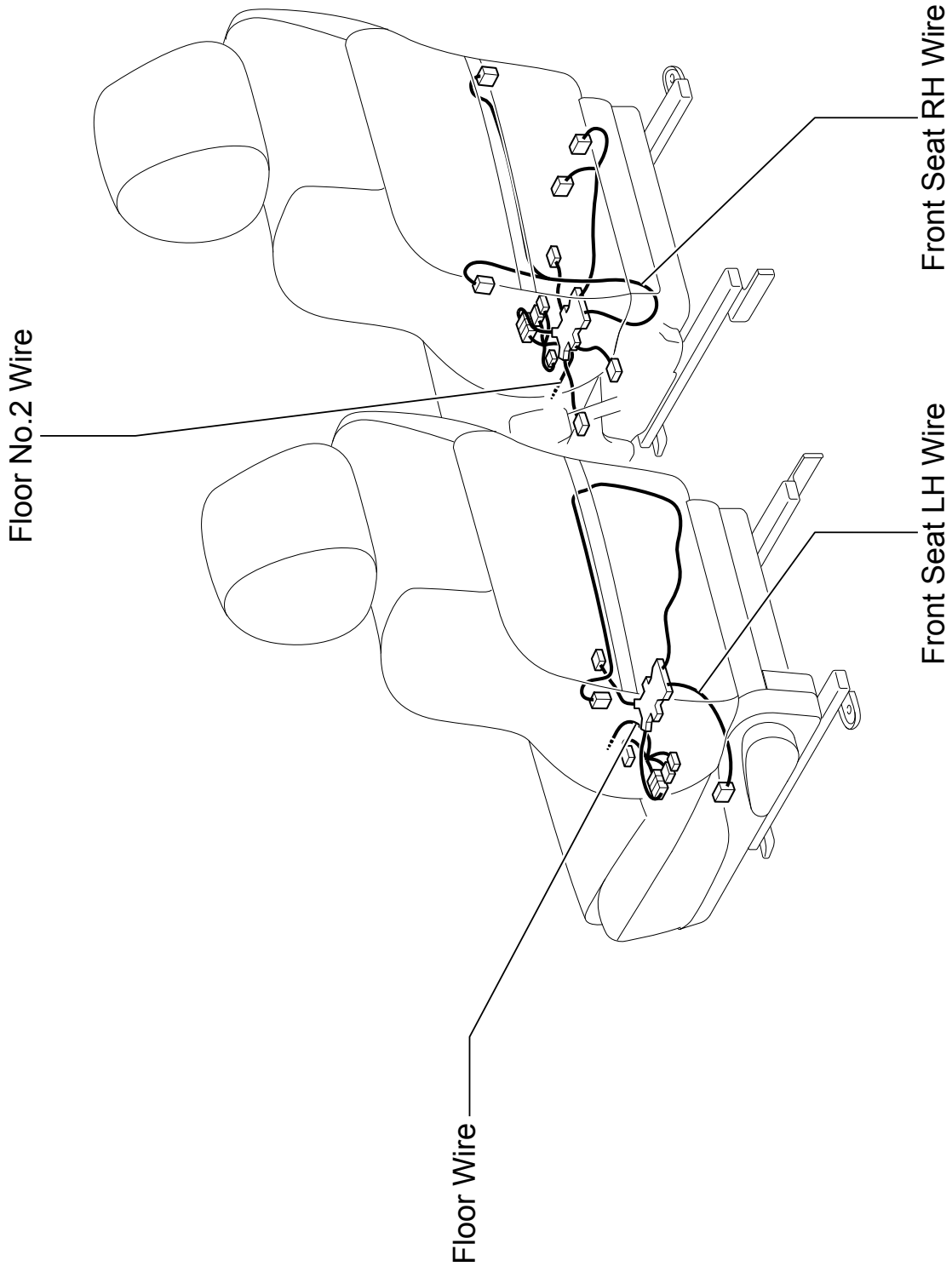
- L 6 Lumbar Support Control Motor
- L 7 Lumbar Support Control SW

- P 18 Power Seat Control SW (Driver's Seat)
- P 19 Power Seat Control SW (Front Passenger's Seat)
- P 20 Power Seat Motor (Driver's Seat Front Vertical Control)
- P 21 Power Seat Motor (Driver's Seat Lifter Control)
- P 22 Power Seat Motor (Driver's Seat Reclining Control)
- P 23 Power Seat Motor (Driver's Seat Slide Control)
- P 24 Power Seat Motor (Front Passenger's Seat Reclining Control)

- S 18 Side Airbag Squib LH
- S 19 Side Airbag Squib RH

Position of Parts in Seat <RHD>





F CONNECTOR LIST

A 1
Gray



A 2
Black



A 3
Black



A 4



A 5



A 6
Black



A 7
Gray



A 8
Gray



A 9
Yellow



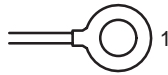
A 10
Yellow



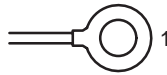
A 11
Black



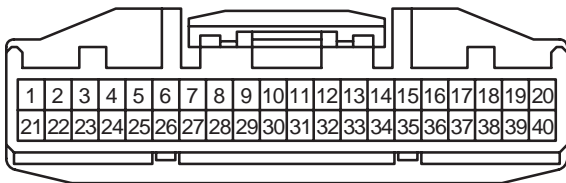
A 12
(1CD-FTV)



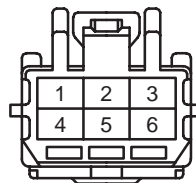
A 12
(Except 1CD-FTV)



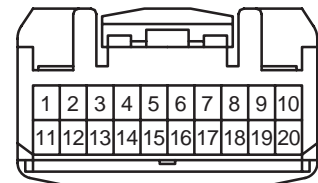
A 13



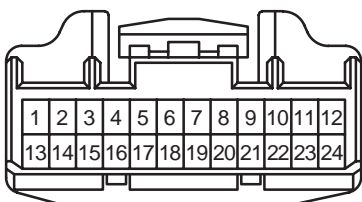
A 14



A 15



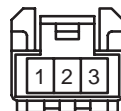
A 16



A 17
Black



A 18
Black



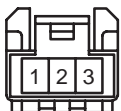
A 19



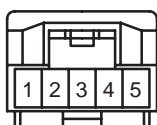
A 20
Black



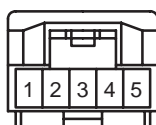
A 21
Black



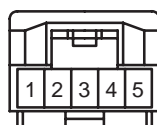
A 22
Black



A 23
Black



A 24
Black

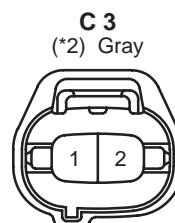
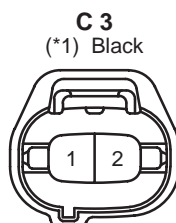
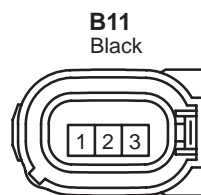
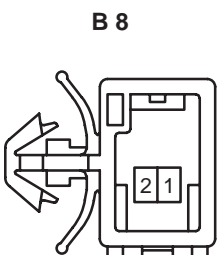
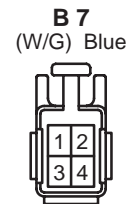
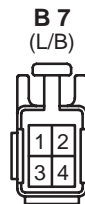
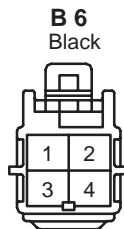
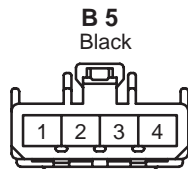
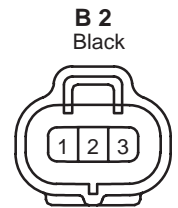
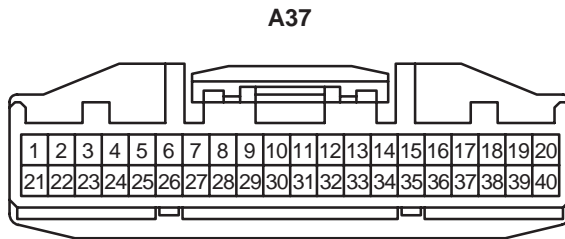
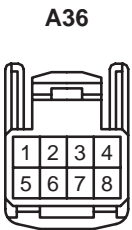
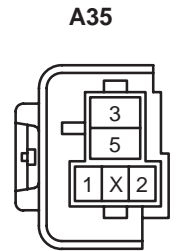
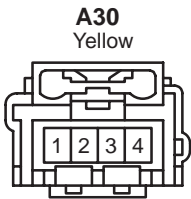
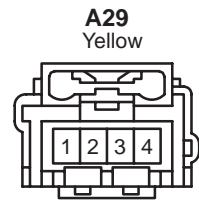
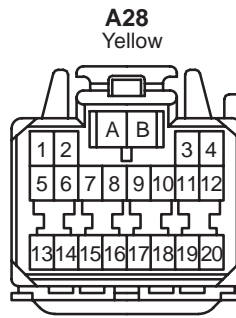
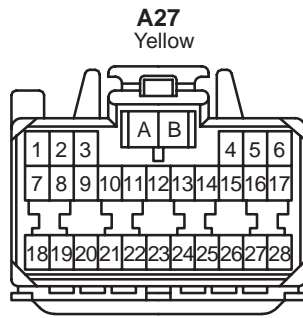
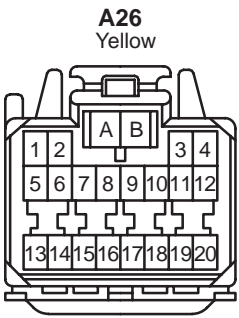


A 25
Black



*1 : 2AD-FHV, 2AD-FTV

*2 : Except 2AD-FHV, 2AD-FTV

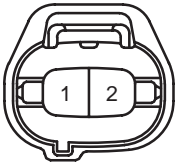


F CONNECTOR LIST

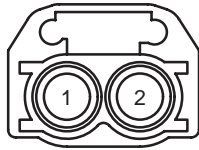
*1 : 2AD-FHV, 2AD-FTV

*3 : 2AZ-FSE, 1AZ-FSE, 1AZ-FE, 1ZZ-FE, 3ZZ-FE

C 5
Black



C 6
(1CD-FTV) Black



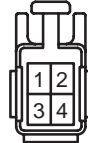
C 6
(*1) Gray



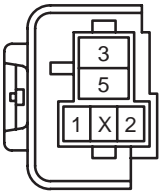
C 6
(*3) Gray



C 7
Black



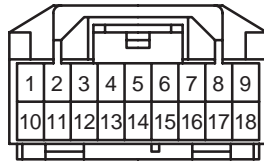
C 8



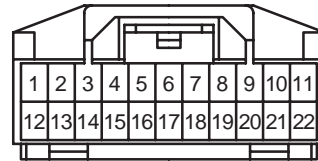
C 9



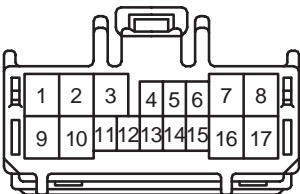
C10
Blue



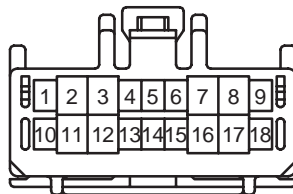
C11



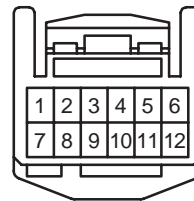
C12



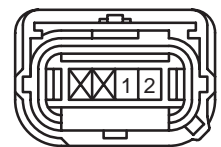
C13
Black



C14



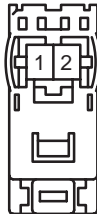
C15
Yellow



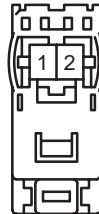
C16
Yellow



C17
Black



C18
Black



D 1
Black



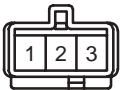
D 2



D 3
Black



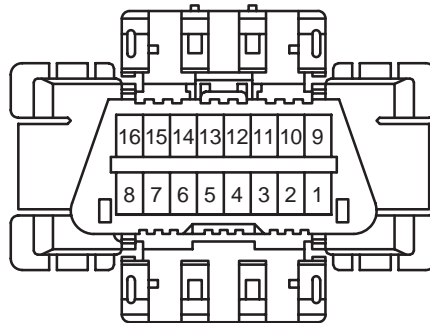
D 4
(1CD-FTV)



D 4
(Except 1CD-FTV)



D 5



D 6



D 7



*1 : 2AD-FHV, 2AD-FTV

*6 : 2AZ-FSE, 1AZ-FSE

*4 : 2AZ-FSE, 1AZ-FSE, 1ZZ-FE, 3ZZ-FE

*7 : 1CD-FTV, 2AD-FHV, 2AD-FTV

*5 : 1CD-FTV, 2AD-FTV

D 8



D 9



D10



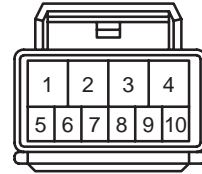
D11



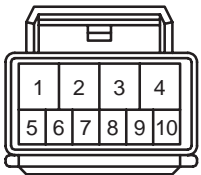
D12



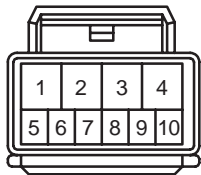
D13



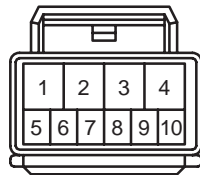
D14



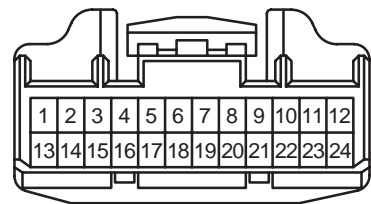
D15



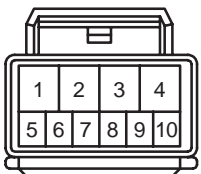
D16



D17



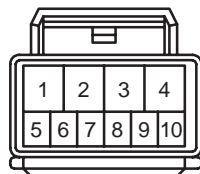
D18



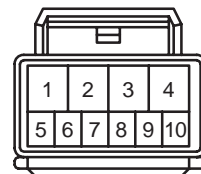
D19



D20



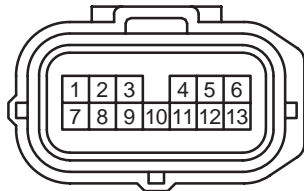
D21



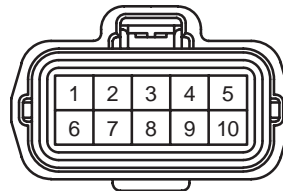
D22
Black



E 1
(2AZ-FSE) Gray



E 1
(Except 2AZ-FSE) Gray



E 2
(1AZ-FE) Gray



E 2
(1CD-FTV) Gray



E 2
(*1) Gray



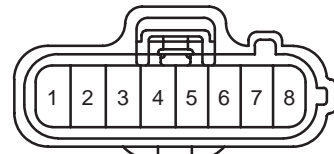
E 2
(*4) Gray



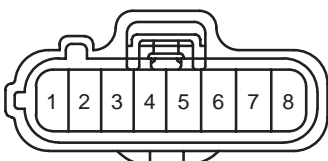
E 3
Black



E 4
Black



E 5
(*5) Dark Gray



E 5
(*6) Black



E 6
Black



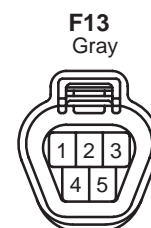
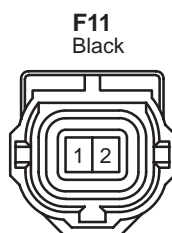
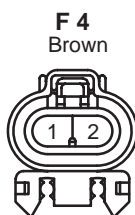
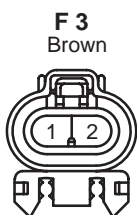
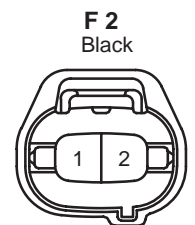
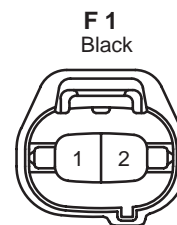
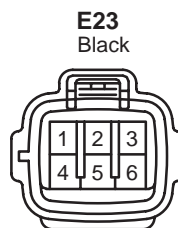
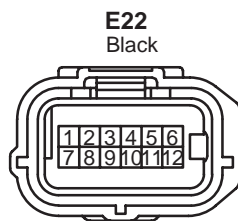
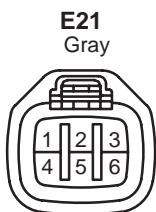
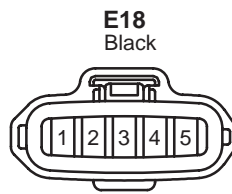
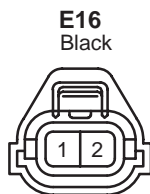
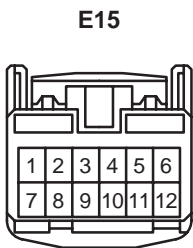
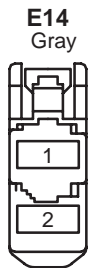
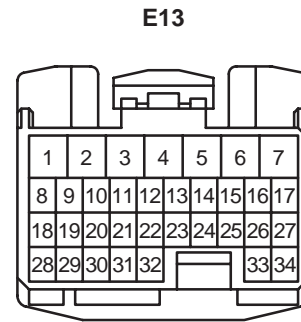
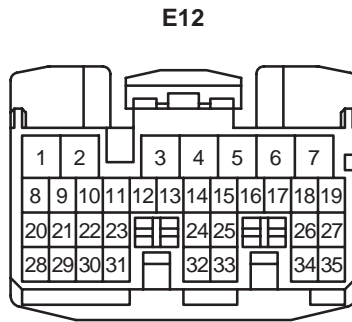
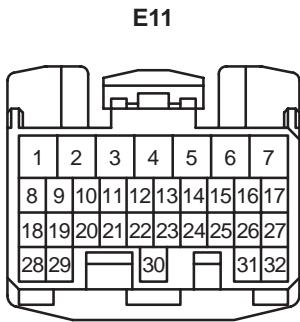
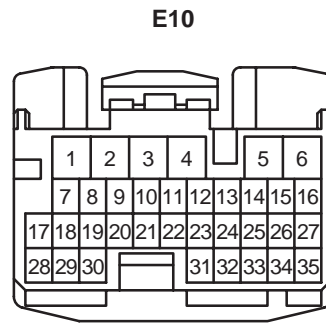
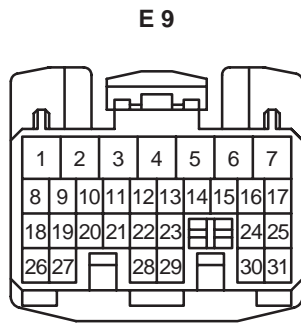
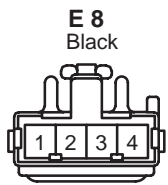
E 7
(*7) Gray



E 7
(2AZ-FSE) Gray

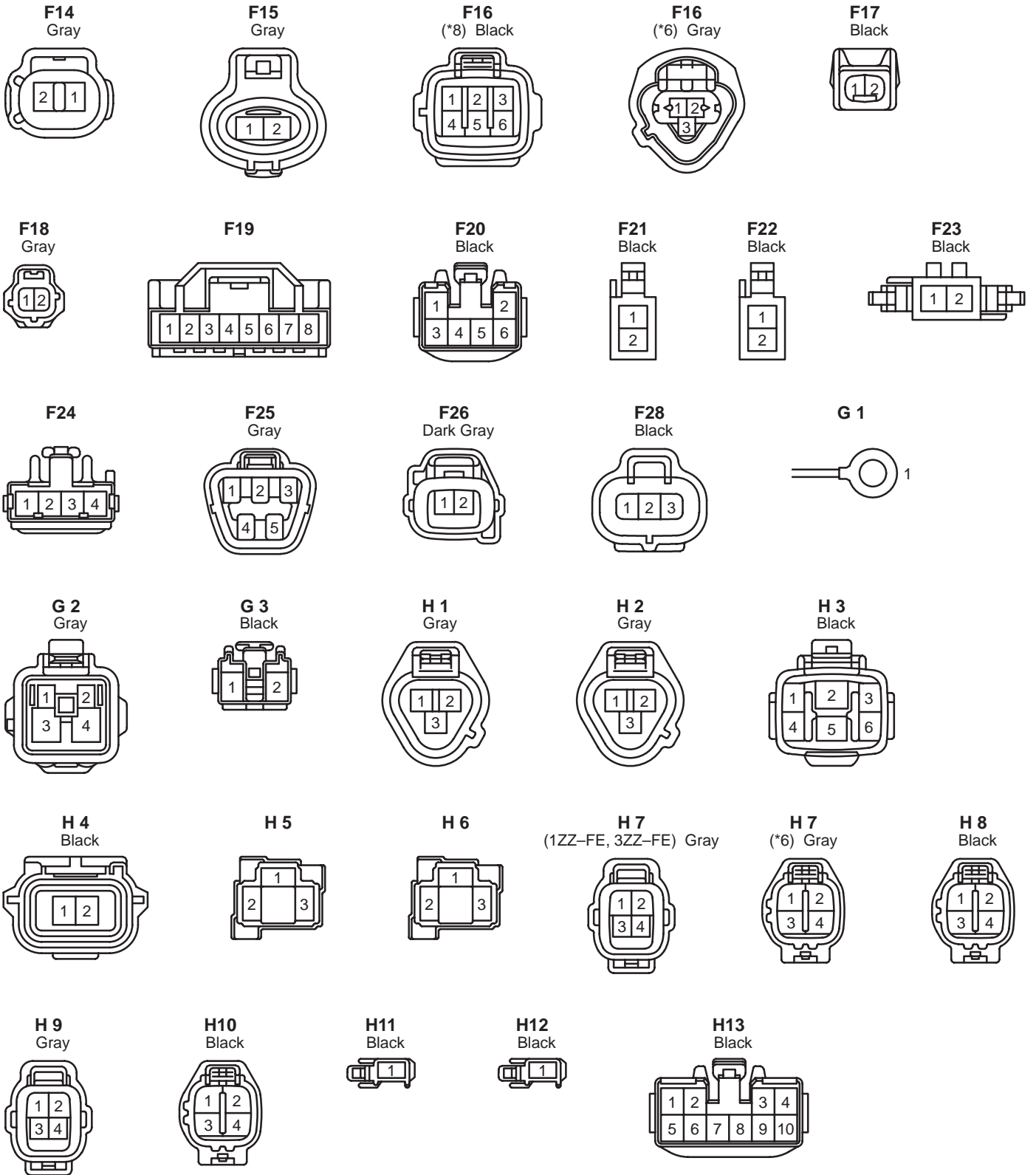


F CONNECTOR LIST



*6 : 2AZ-FSE, 1AZ-FSE

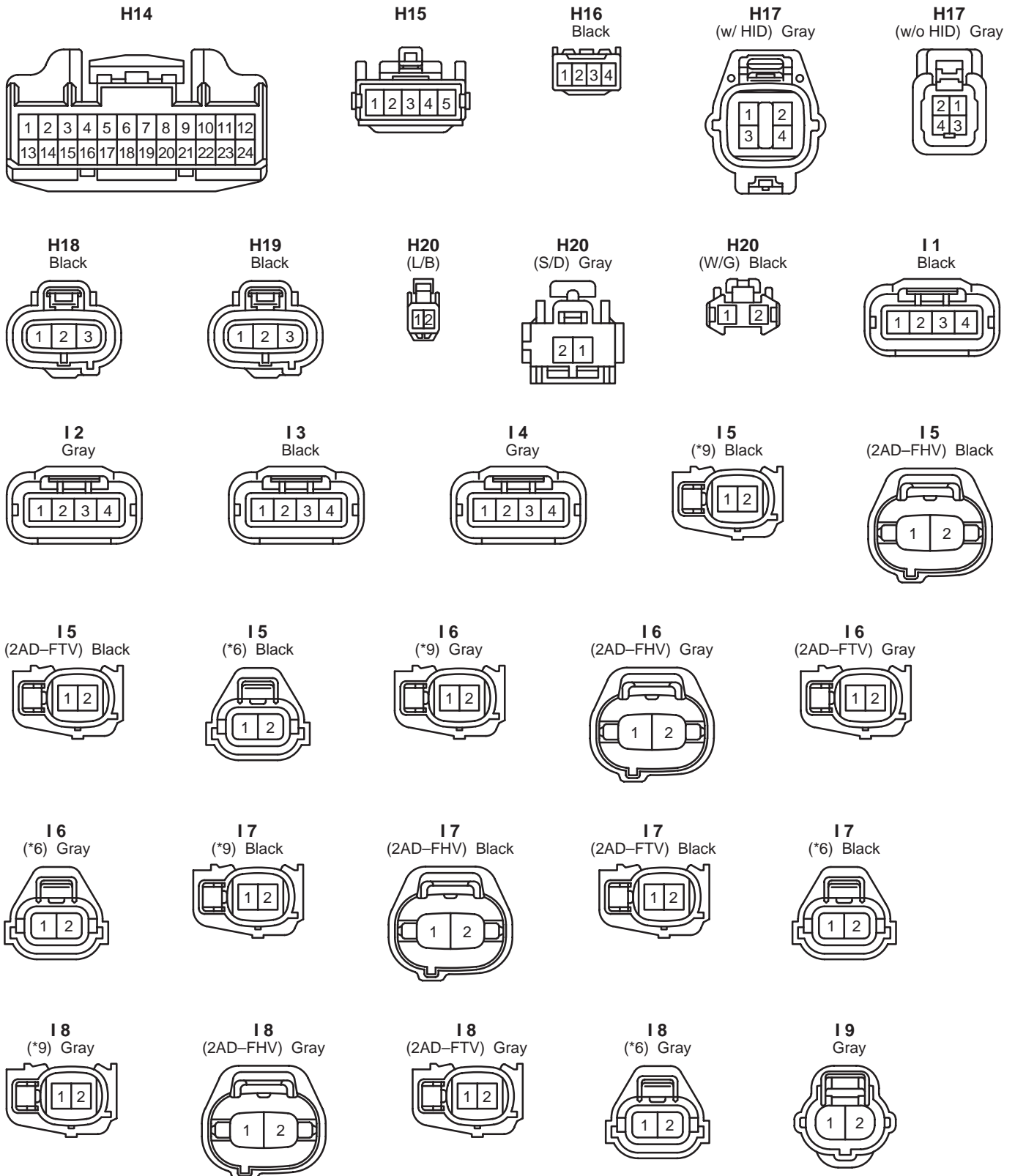
*8 : 1CD-FTV, 2AD-FHV

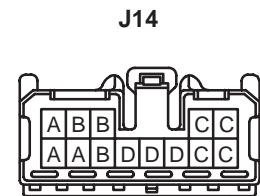
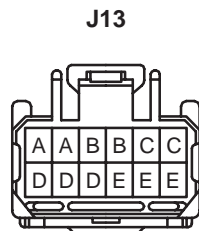
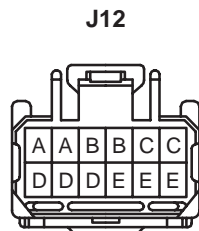
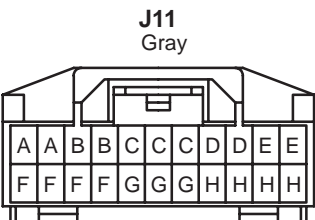
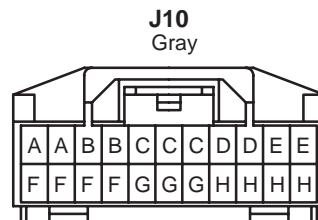
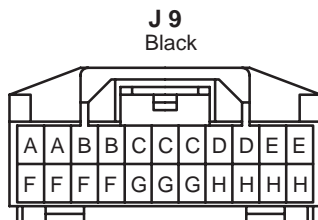
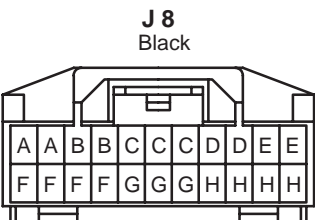
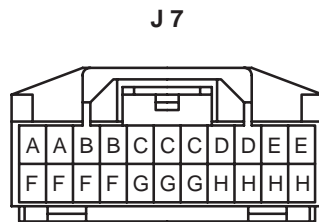
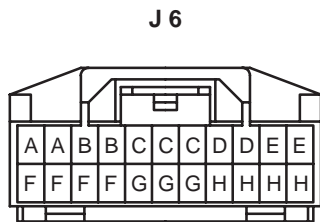
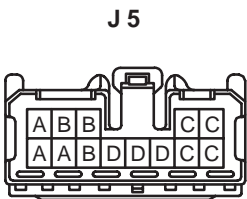
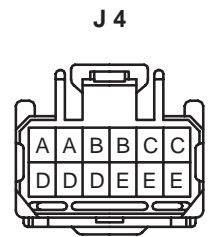
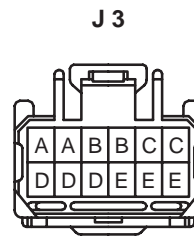
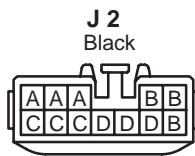
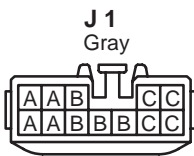
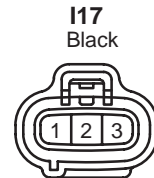
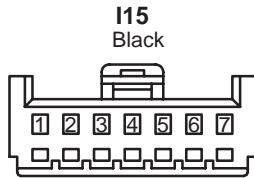
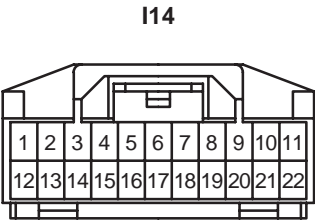
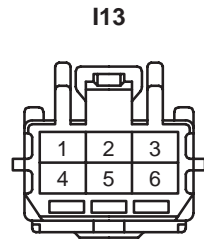
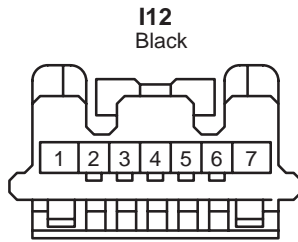
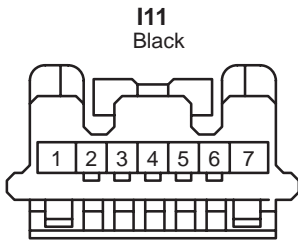


F CONNECTOR LIST

*6 : 2AZ-FSE, 1AZ-FSE

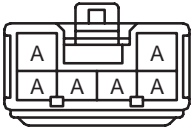
*9 : 1AZ-FE, 1ZZ-FE, 3ZZ-FE, 1CD-FTV



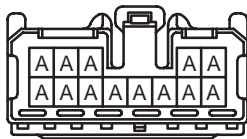


F CONNECTOR LIST

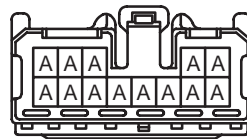
J15



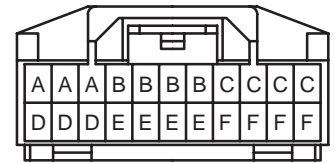
J16



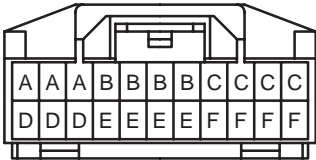
J17



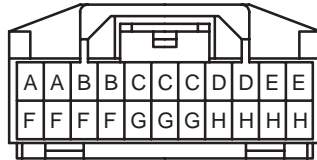
J18



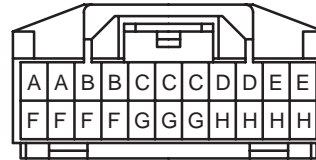
J19



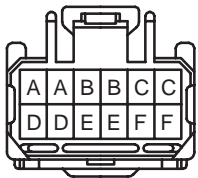
J20



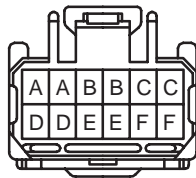
J21



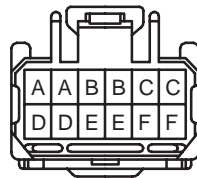
J22



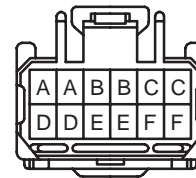
J23



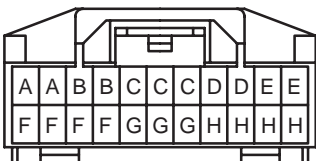
J24



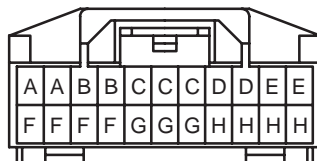
J25



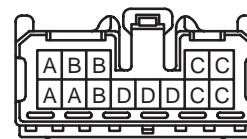
J26



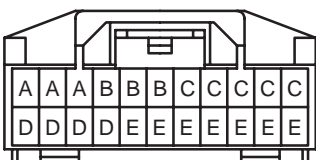
J27



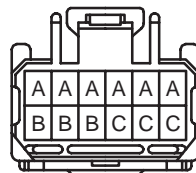
J28



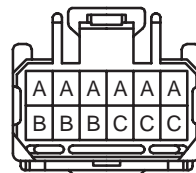
J29



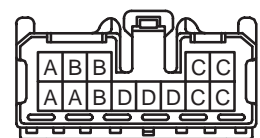
J30



J31



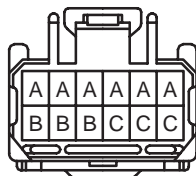
J32



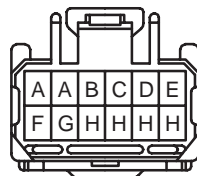
J33



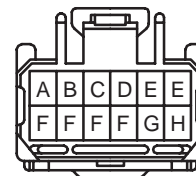
J34



J35



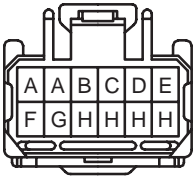
J36



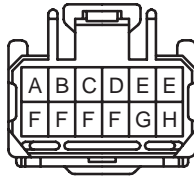
*10 : w/ Navigation System (Map Type)

*11 : w/o Navigation System (Map Type)

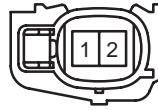
J37



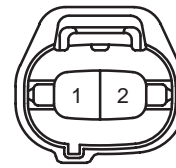
J38



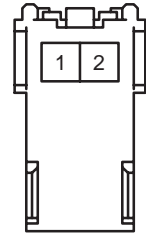
K 1
Black



K 2
Black



K 3
Yellow



L 1
Black



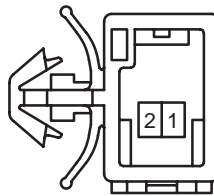
L 2
Black



L 3
Black



L 4



L 5



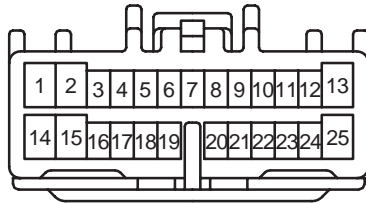
L 6



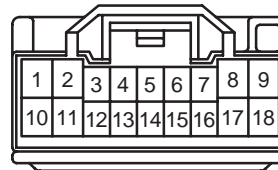
L 7



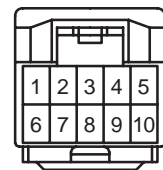
M 1
(*10)



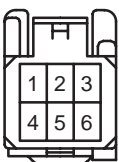
M 1
(*11)



M 2
(*10)



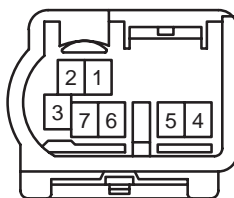
M 2
(*11)



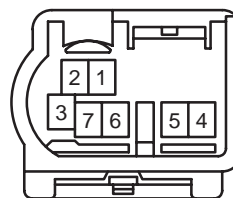
M 3



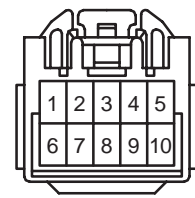
M 4



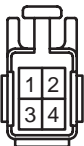
M 5



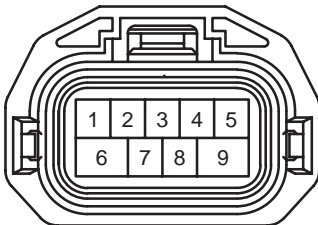
M 6
Gray



M 7



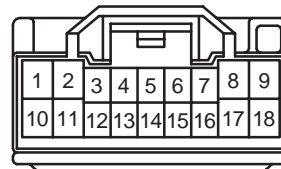
N 1
Gray



N 2
Gray



N 3



F CONNECTOR LIST

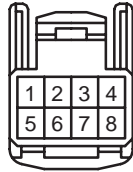
*12 : Power Heater (Combustion Type)

*13 : Power Heater (Hot Gas Type)

N 4



N 5



N 6



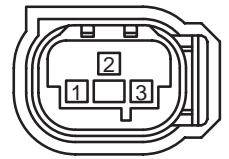
N 7



N 8



O 1
Black



O 2
Gray



P 1
Black



P 2
Black



P 3
Gray



P 4
Black



P 5
(*12) Gray



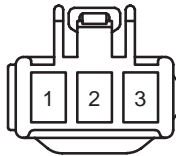
P 5
(*13)



P 6
Black



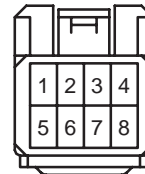
P 7



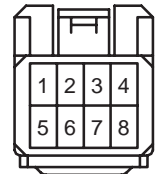
P 8



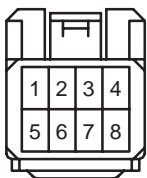
P 9



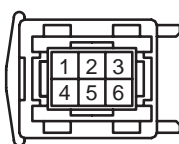
P 10



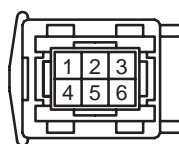
P 11



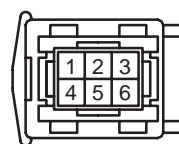
P 12
Gray



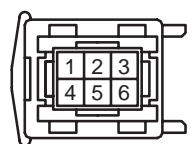
P 13
Gray



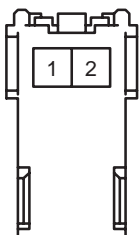
P 14
Gray



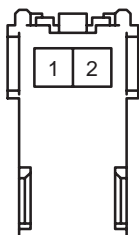
P 15
Gray



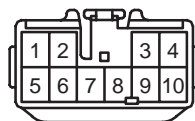
P 16
Yellow



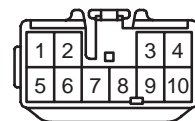
P 17
Yellow



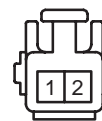
P 18
Black



P 19
Black



P 20



P 21
Black



P 22



P 23
Blue



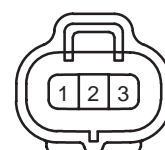
P 24

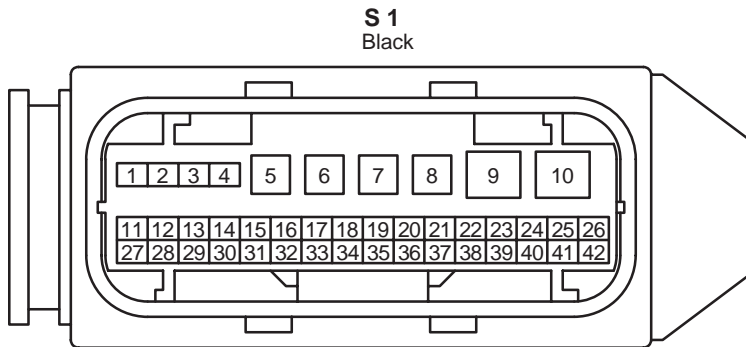
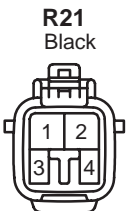
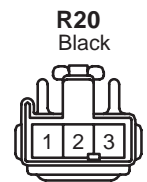
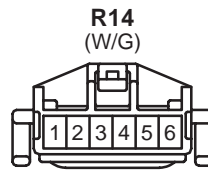
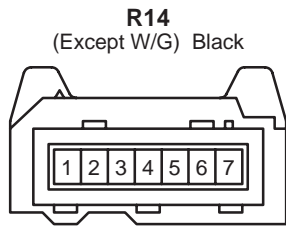
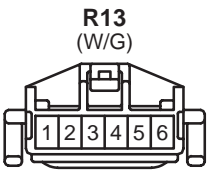
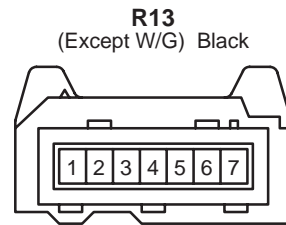
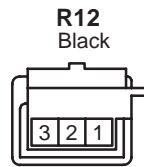
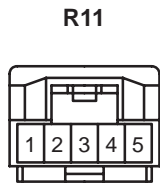
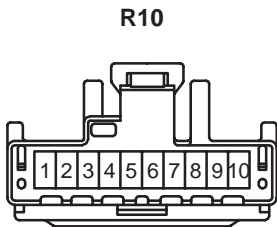
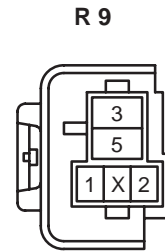
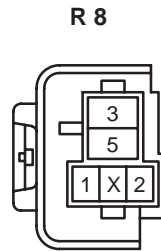
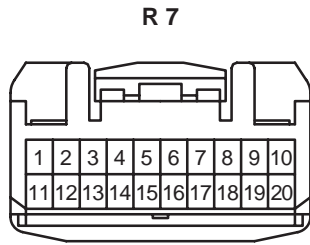
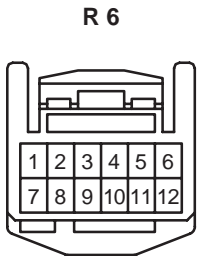
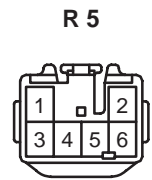
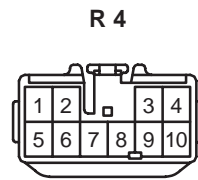
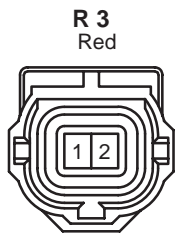
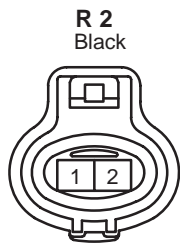
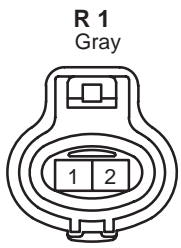


P 25
Blue



P 26
Black





F CONNECTOR LIST

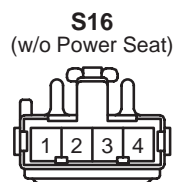
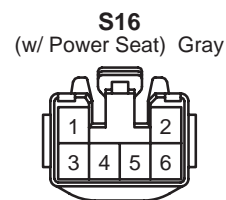
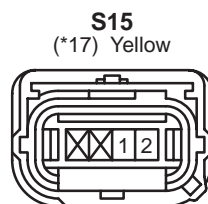
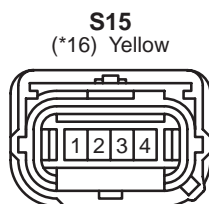
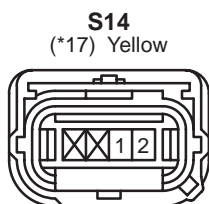
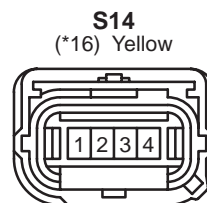
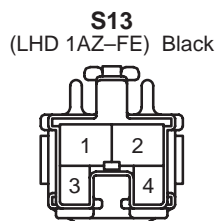
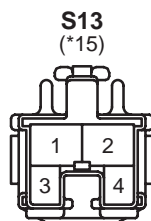
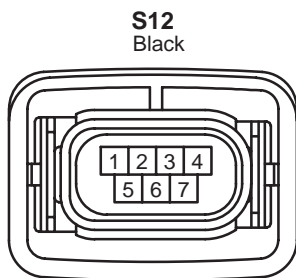
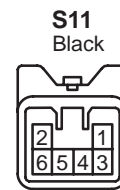
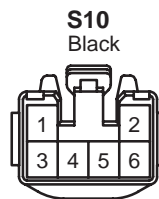
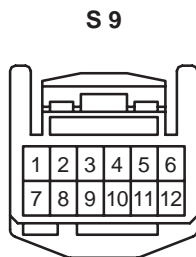
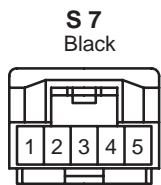
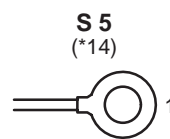
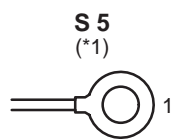
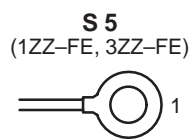
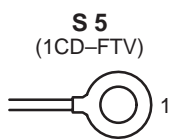
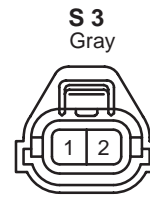
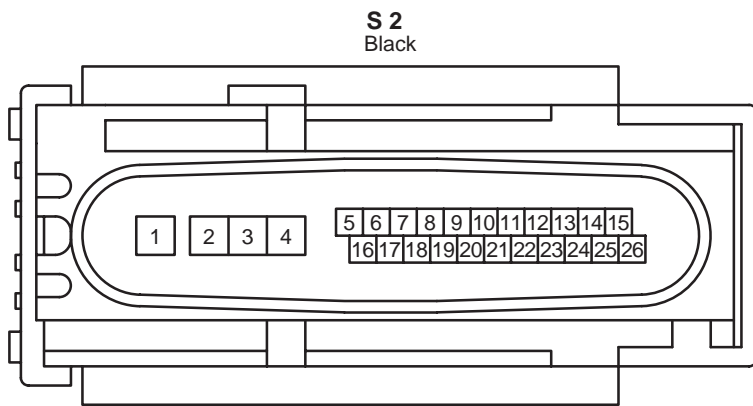
*1 : 2AD-FHV, 2AD-FTV

*16 : w/ Curtain Shield Airbag

*14 : 2AZ-FSE, 1AZ-FSE, 1AZ-FE

*17 : w/o Curtain Shield Airbag

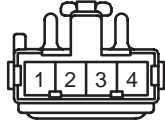
*15 : Except LHD 1AZ-FE



S17
(w/ Power Seat) Gray



S17
(w/o Power Seat)



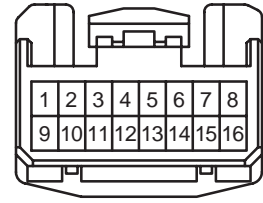
S18
Yellow



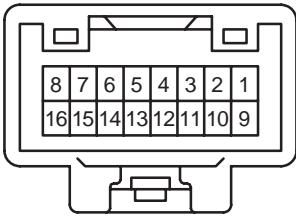
S19
Yellow



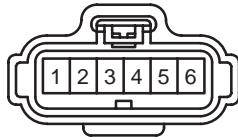
S20



S21



T 1
Black



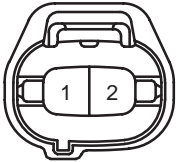
T 2
Black



T 3
Gray



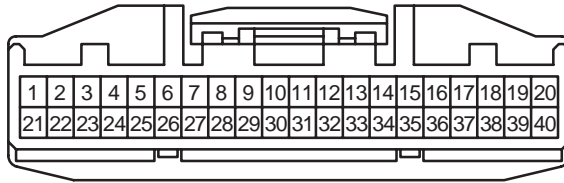
T 4
Black



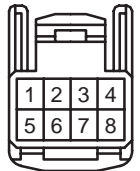
T 5
Black



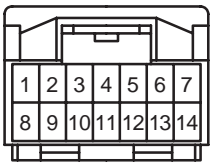
T 6



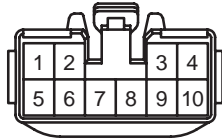
T 7



T 8



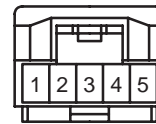
T 9
Black



T10
Black



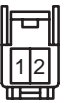
T11



T12



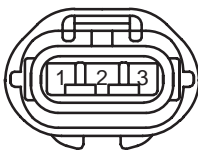
T13



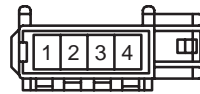
T14
Black



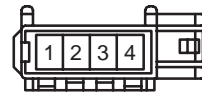
T15
Black



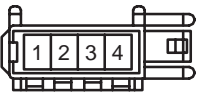
T16



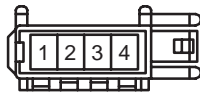
T17



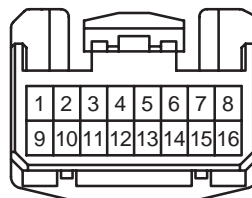
T18



T19



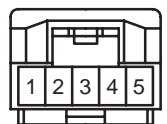
T20



T21

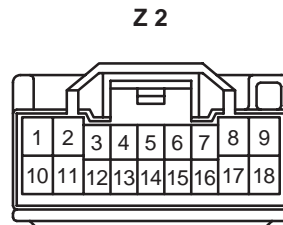
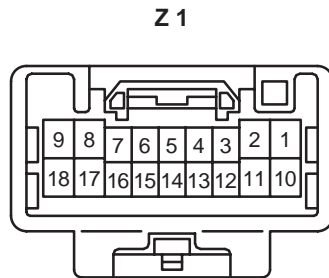
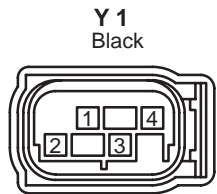
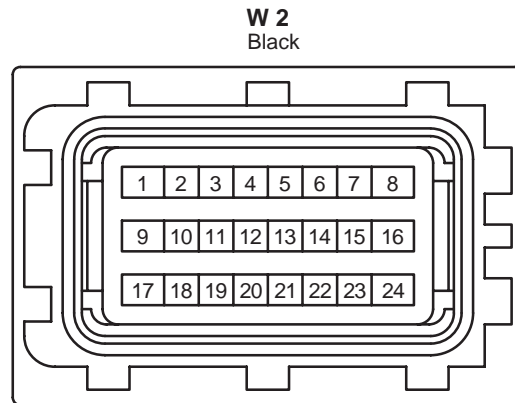
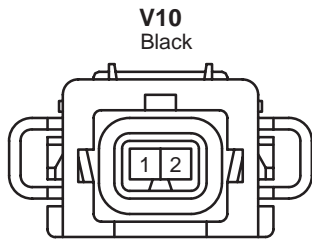
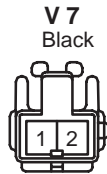
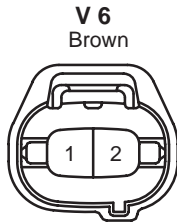
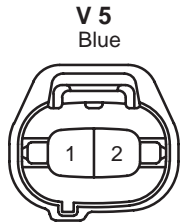
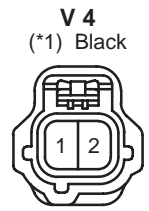
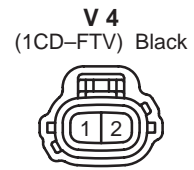
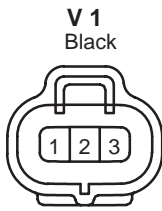
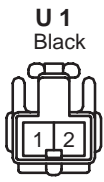


T22



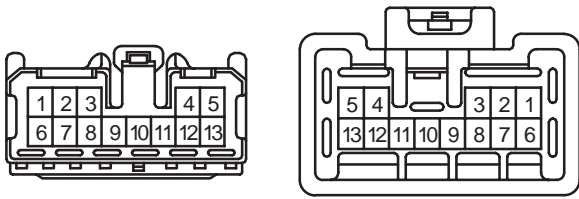
F CONNECTOR LIST

*1 : 2AD-FHV, 2AD-FTV

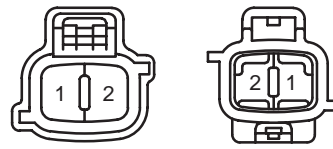


F CONNECTOR LIST

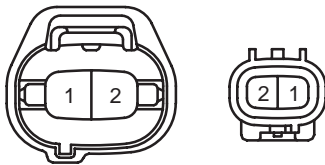
(Gasoline) **EA1**



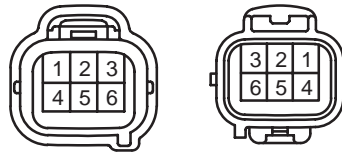
(Diesel) **EA1** Gray



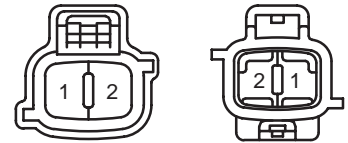
(1ZZ-FE, 3ZZ-FE) **EB1** Gray



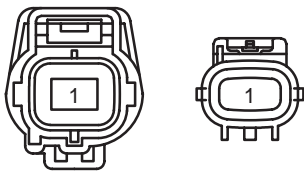
(1CD-FTV) **EB1** Black



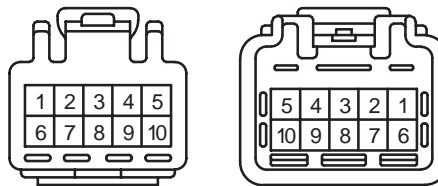
EC1 Gray



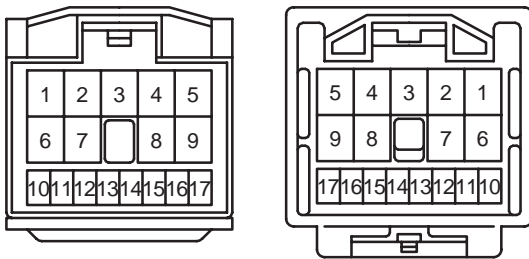
ED1 Black



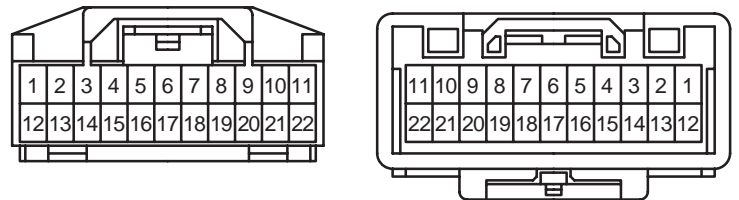
EE1



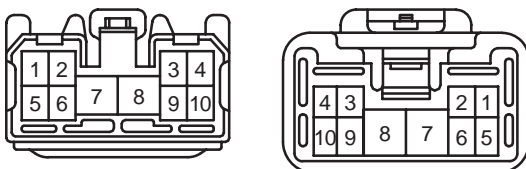
IA1



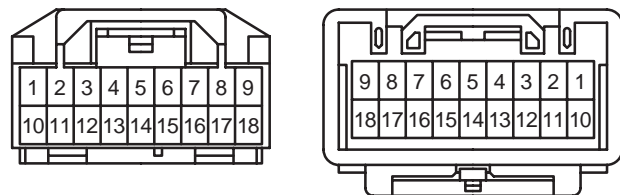
IA2



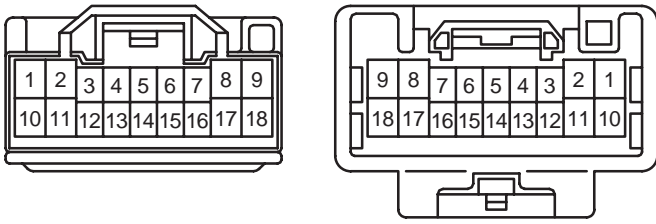
IB1



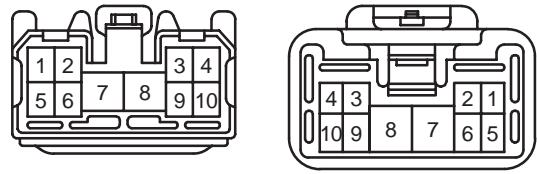
IC1



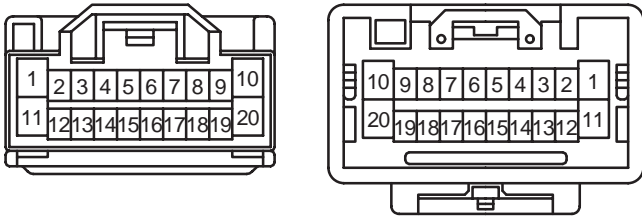
IC2



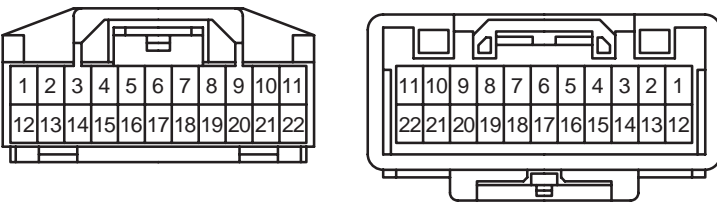
IC3



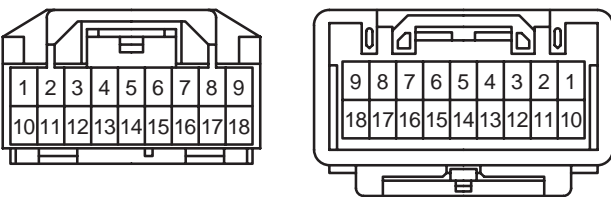
ID1



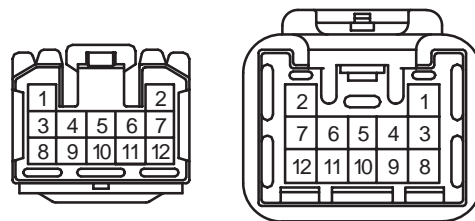
IE1



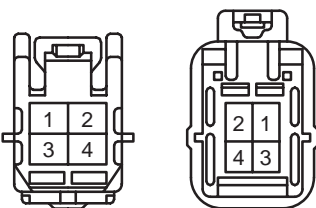
IE2



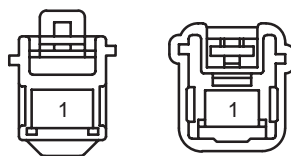
IE3



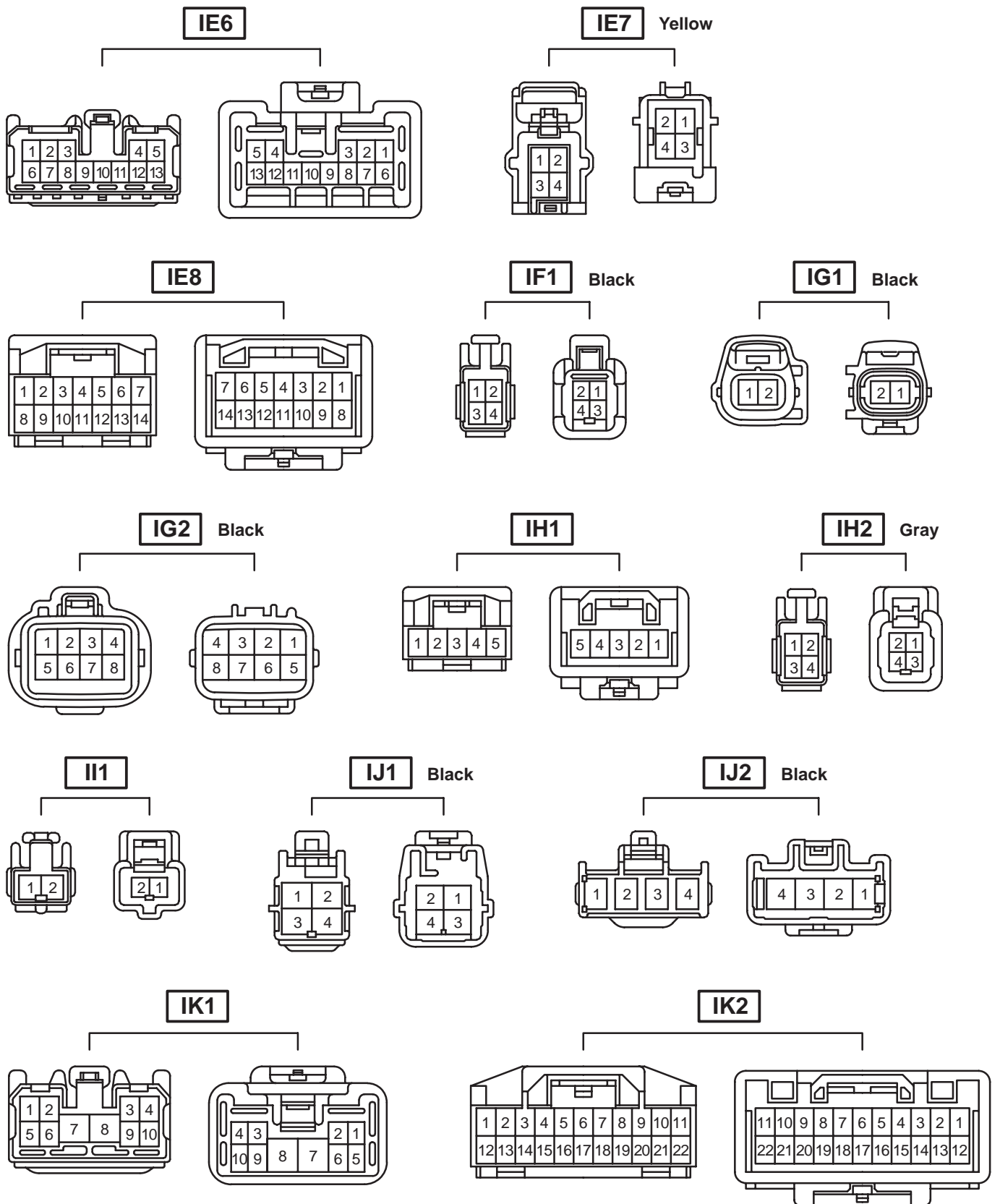
IE4

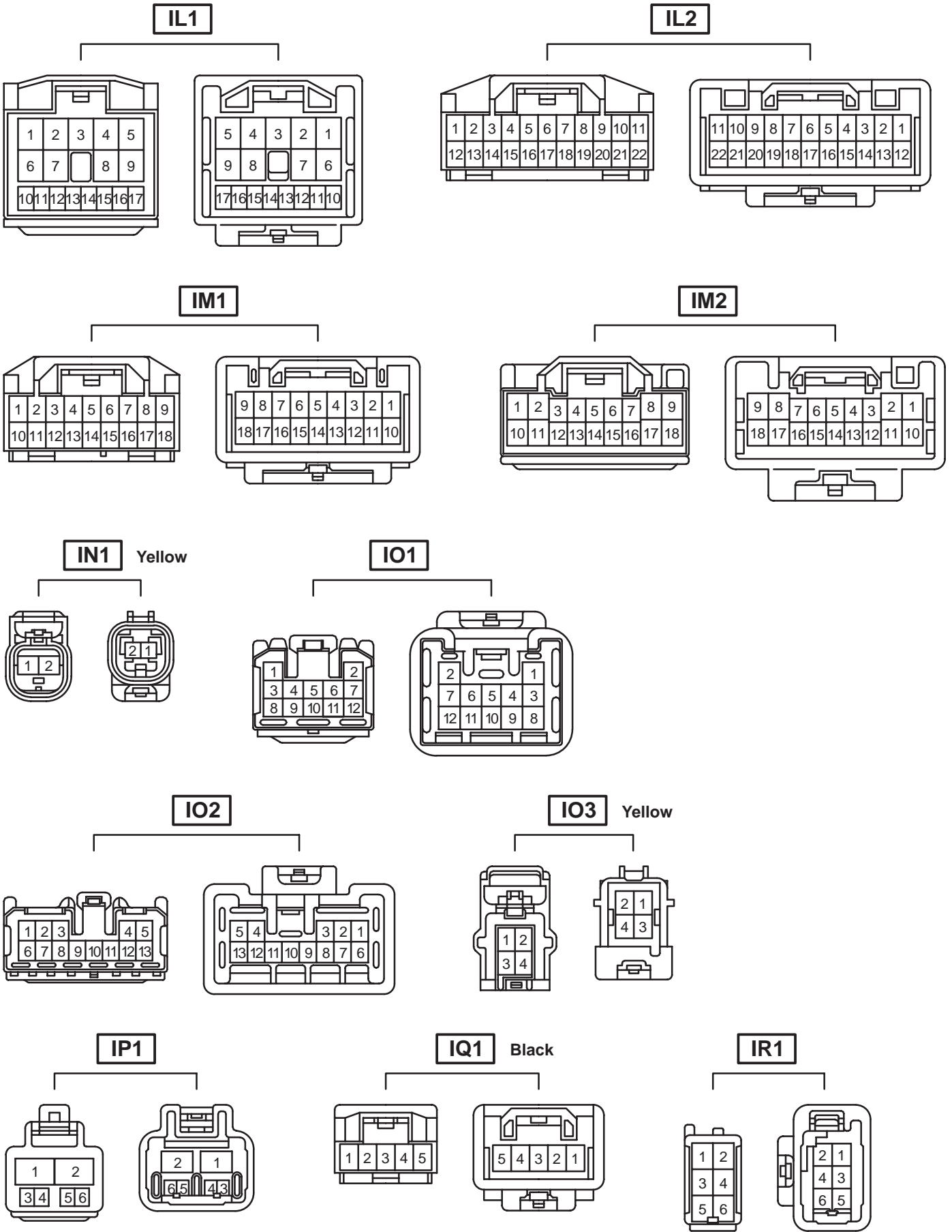


IE5

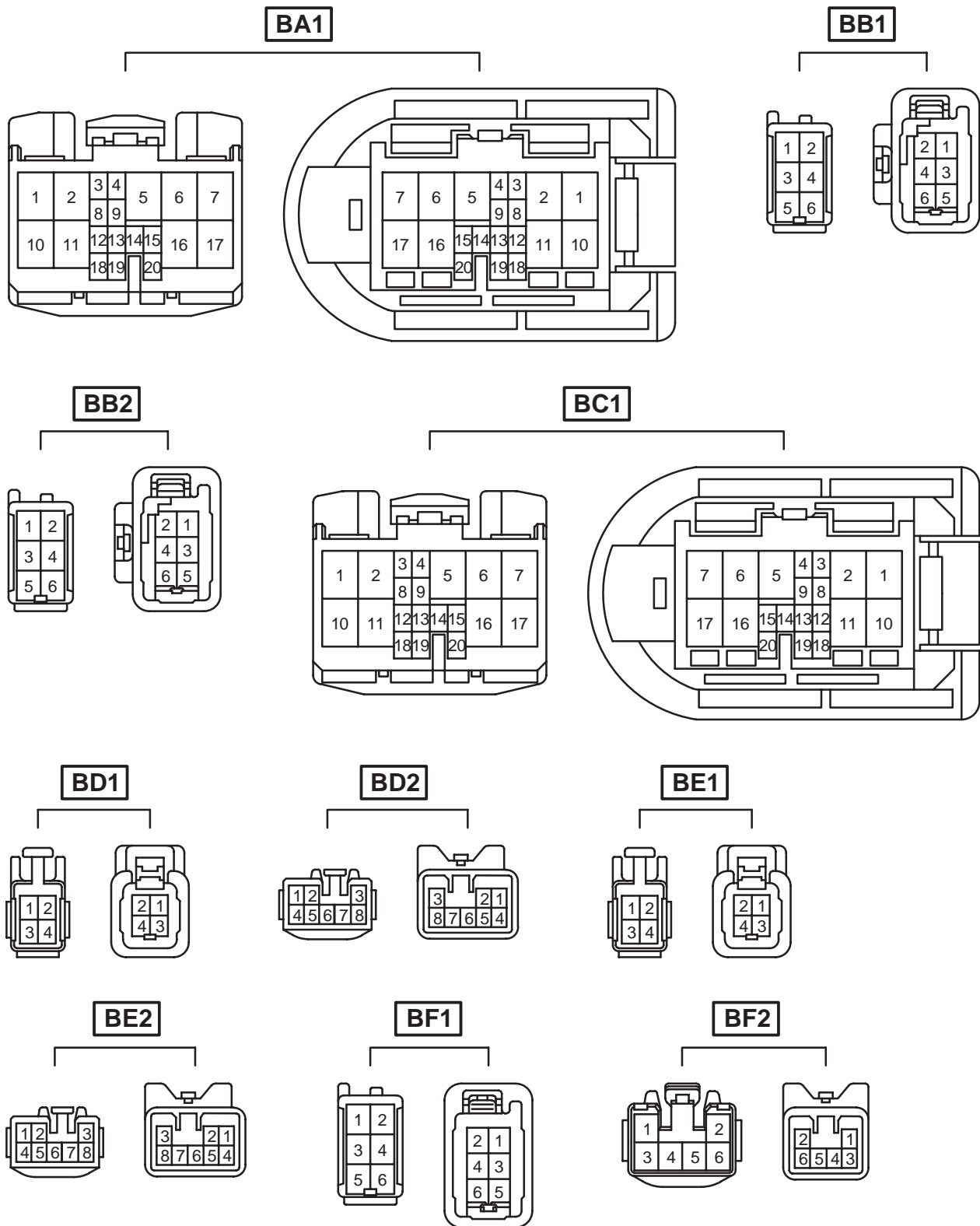


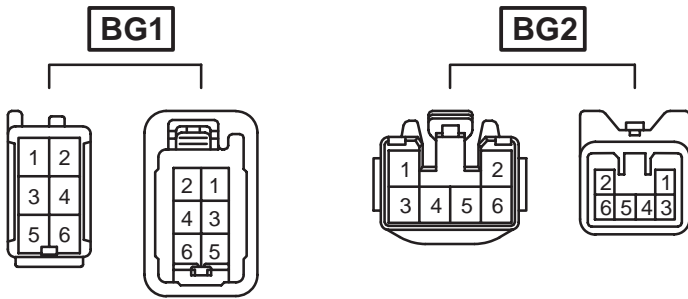
F CONNECTOR LIST





F CONNECTOR LIST

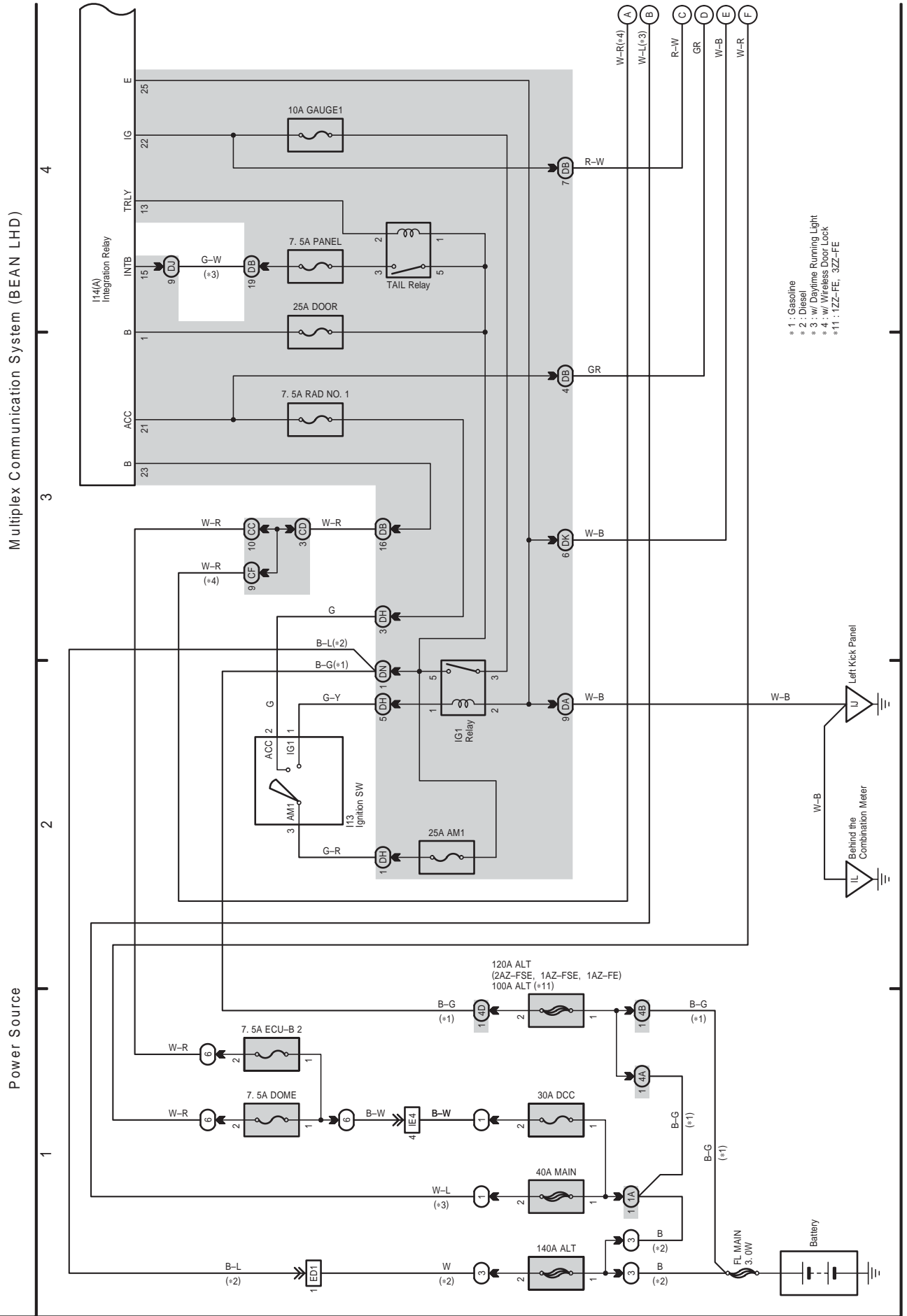




H OVERALL ELECTRICAL WIRING DIAGRAM

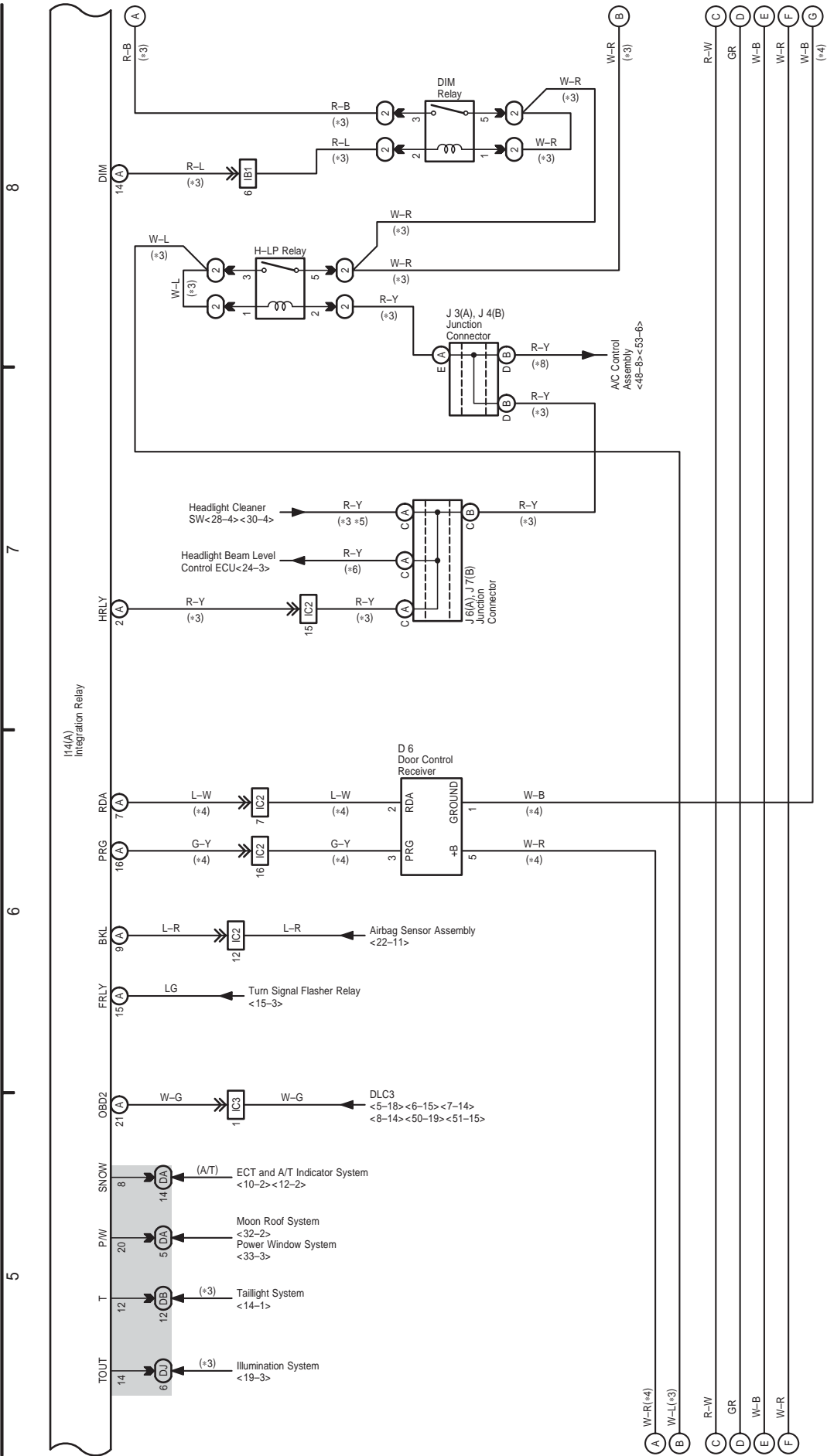
(Cont. next page)

1 AVENSIS



Multiplex Communication System (BEAN LHD)

* 3 : w/ Daytime Running Light
 * 4 : w/ Wireless Door Lock
 * 5 : w/ Headlight Cleaner
 * 6 : * 3 w/ HID
 * 8 : * 3 w/ Power Heater (Electrical Type)



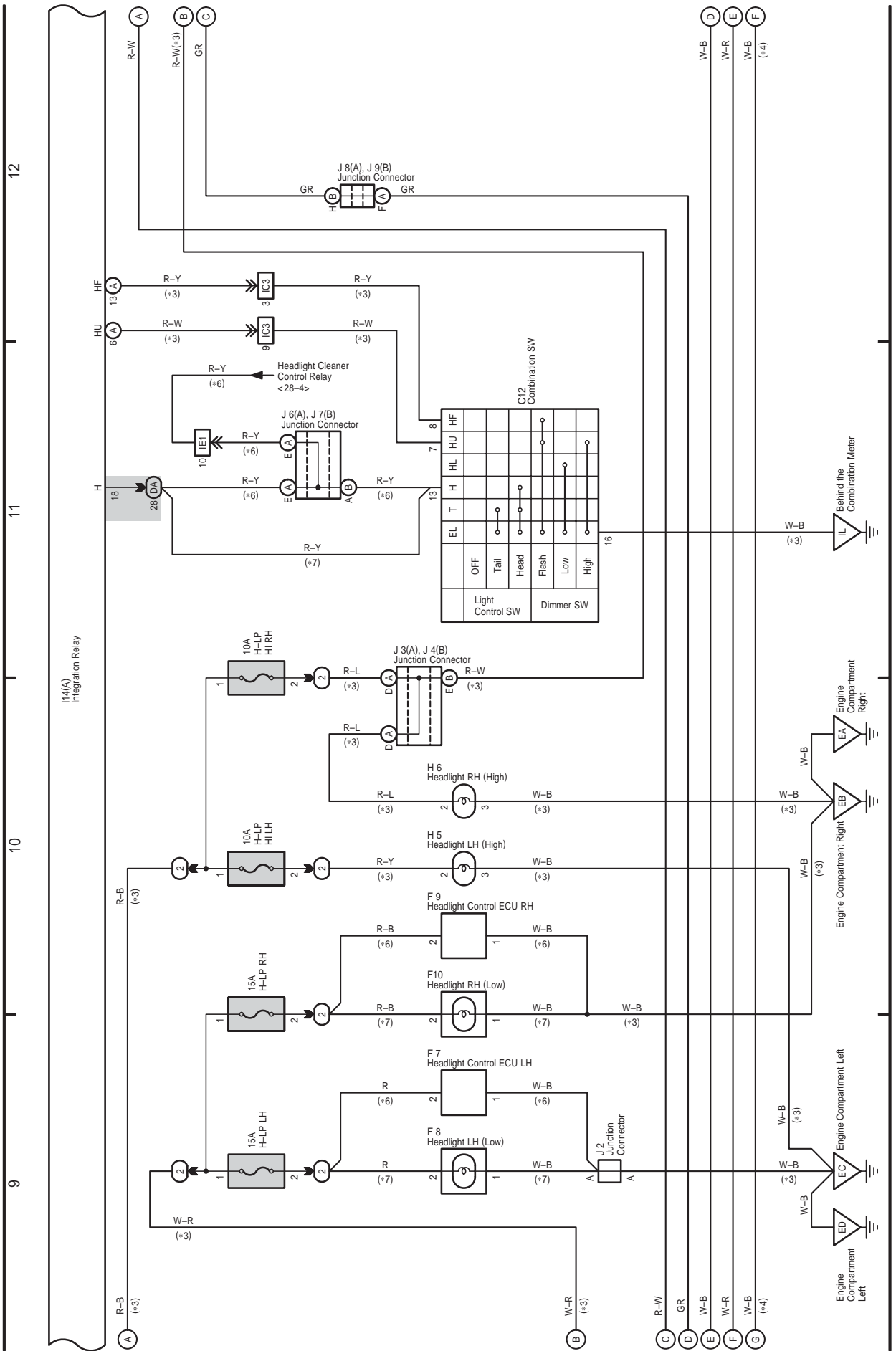
H OVERALL ELECTRICAL WIRING DIAGRAM

1 AVENSIS (Cont' d)

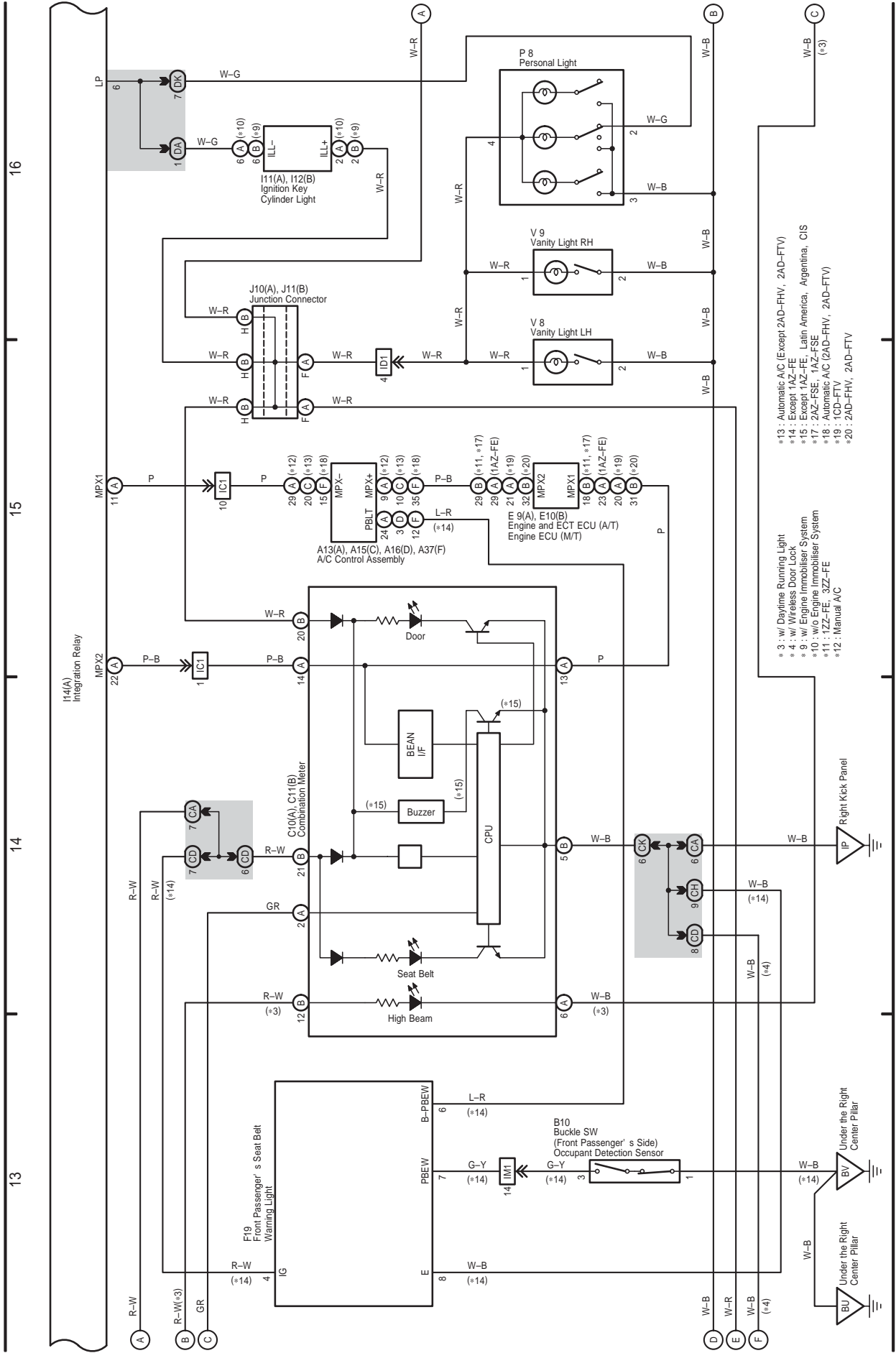
(Cont. next page)

- * 3 : w/ Daytime Running Light
- * 4 : w/ Wireless Door Lock
- * 6 : *3 w/ HID
- * 7 : *3 w/o HID

Multiplex Communication System (BEAN LHD)



Multiplex Communication System (BEAN LHD)



- * 3 : w/ Daytime Running Light
- * 4 : w/ Wireless Door Lock
- * 9 : w/ Engine Immobiliser System
- * 10 : w/o Engine Immobiliser System
- * 11 : 1Z2-FE, 3Z2-FE
- * 12 : Manual A/C
- * 13 : Automatic A/C (Except 2AD-FHV, 2AD-FTV)
- * 14 : Except 1AZ-FE
- * 15 : Except 1AZ-FE, Latin America, Argentina, CIS
- * 17 : 2AZ-FSE, 1AZ-FSE
- * 18 : Automatic A/C (2AD-FHV, 2AD-FTV)
- * 19 : 1CD-FTV
- * 20 : 2AD-FHV, 2AD-FTV

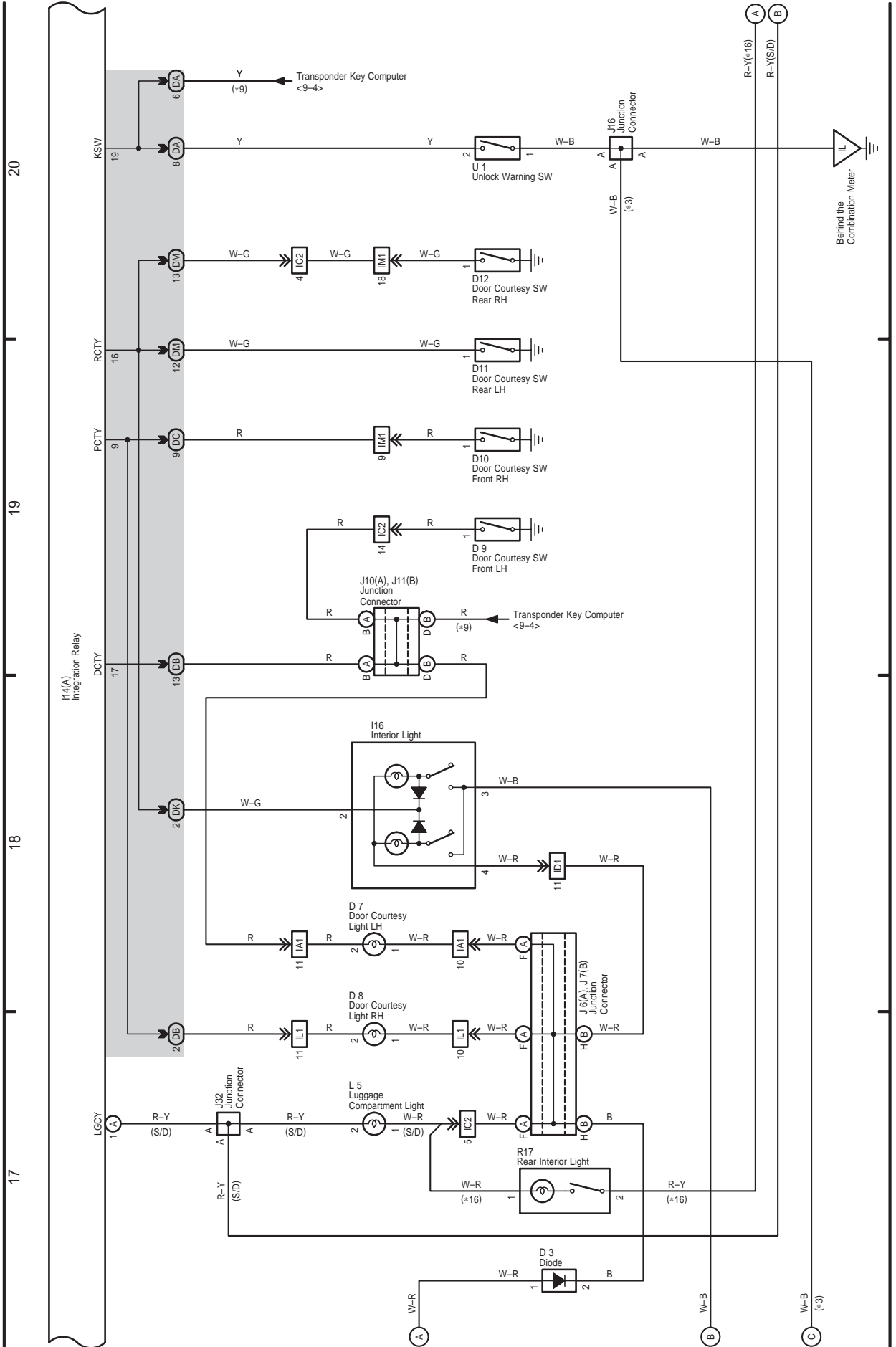
H OVERALL ELECTRICAL WIRING DIAGRAM

1 AVENSIS (Cont' d)

(Cont. next page)

* 3 : w/ Daytime Running Light
 * 9 : w/ Engine Immobiliser System
 *16 : LB, WG

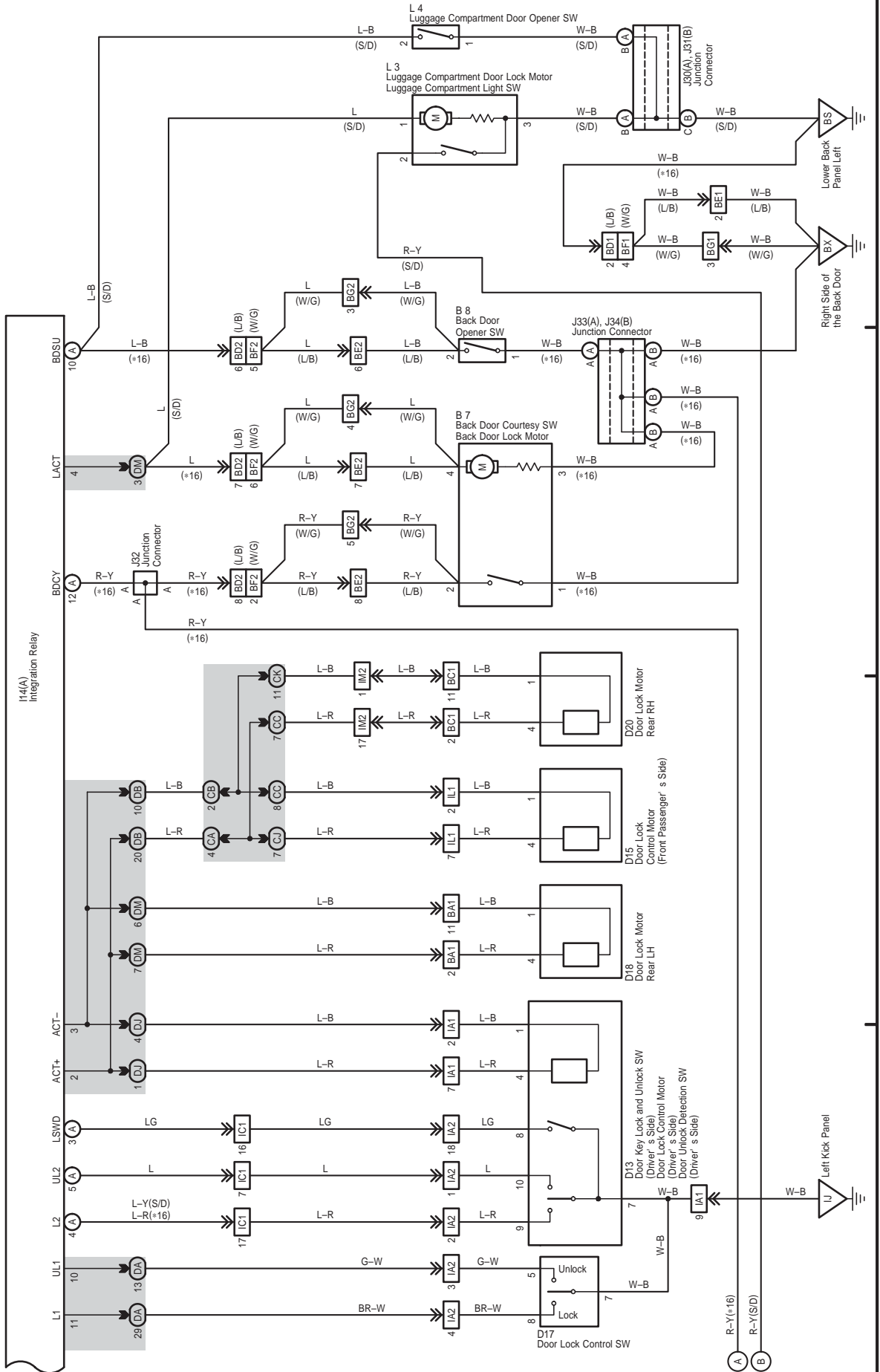
Multiplex Communication System (BEAN LHD)



1 AVENSIS (Cont' d)

Multiplex Communication System (BEAN LHD)

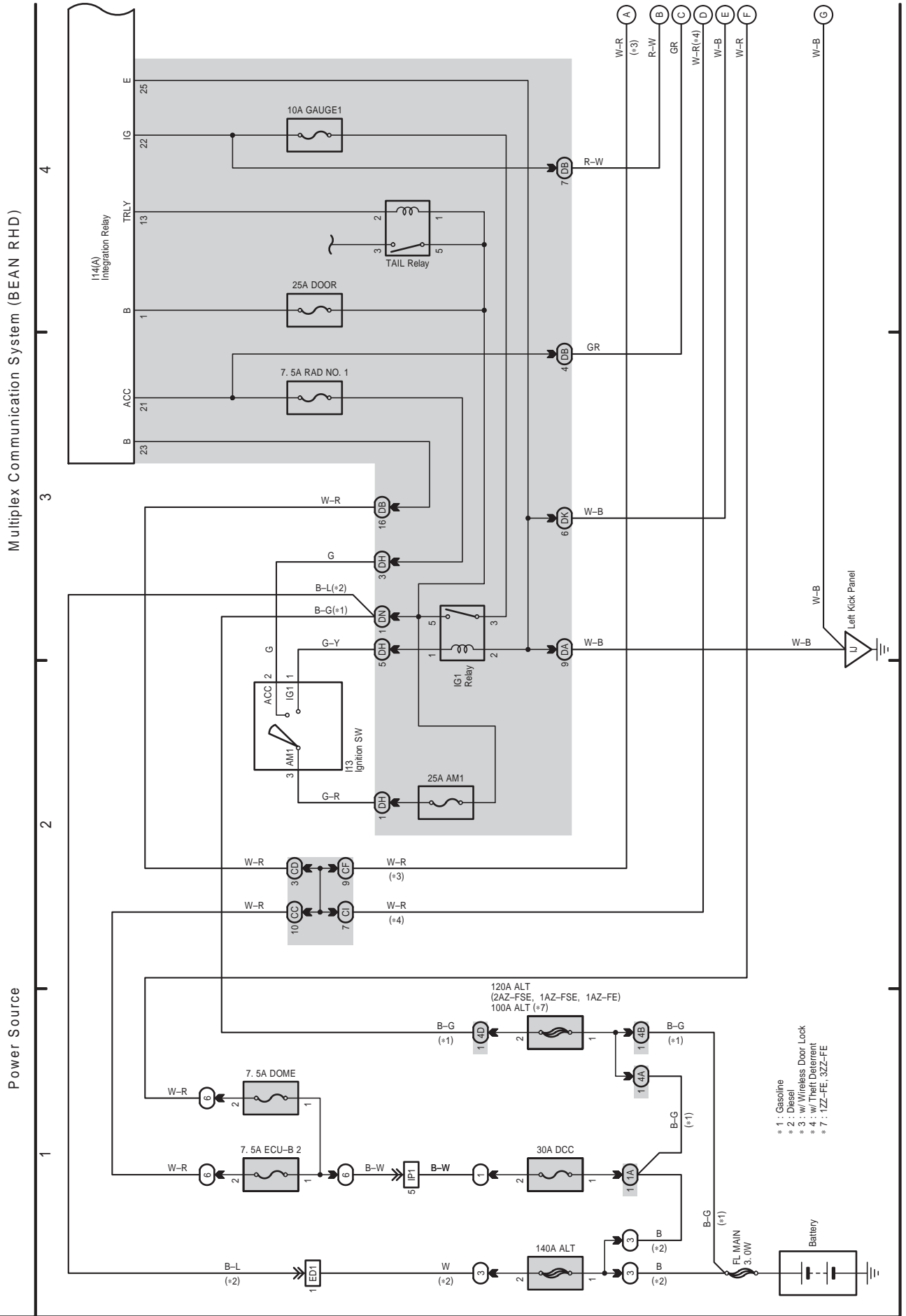
21 22 23 24
 *16 - L/B, W/G



H OVERALL ELECTRICAL WIRING DIAGRAM

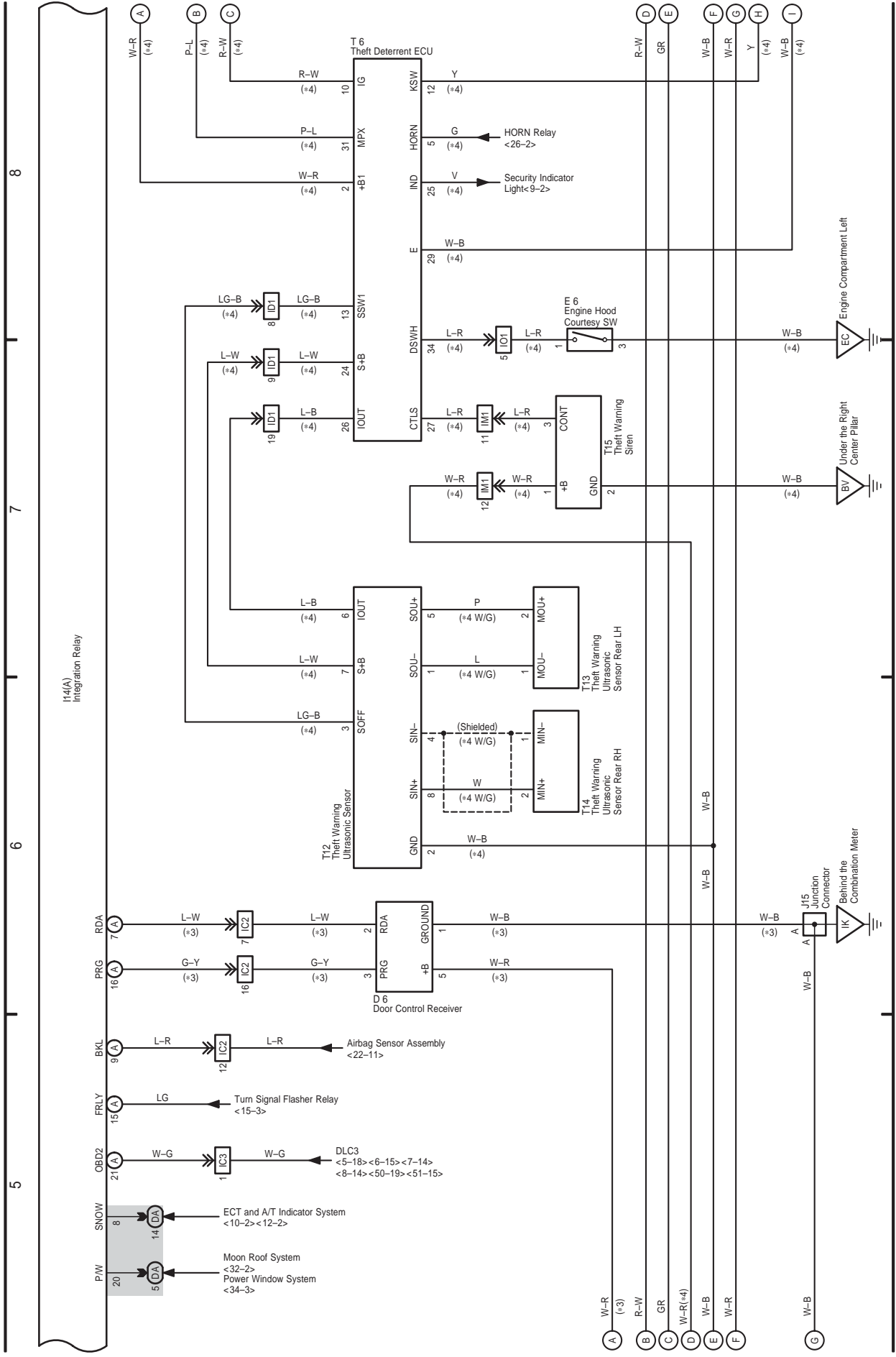
2 AVENSIS

(Cont. next page)



Multiplex Communication System (BEAN RHD)

* 3 : w/ Wireless Door Lock
* 4 : w/ Theft Deterrent

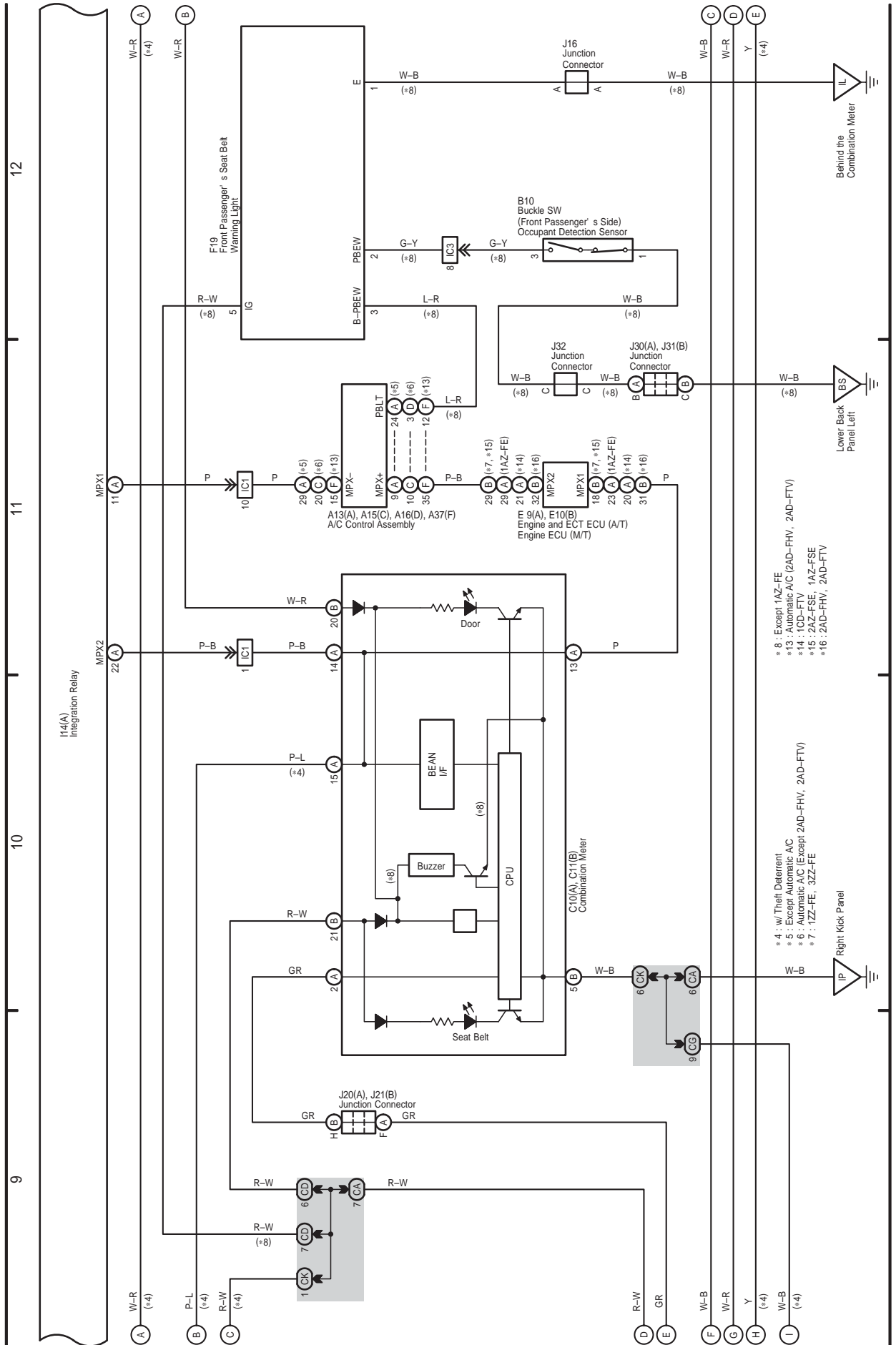


H OVERALL ELECTRICAL WIRING DIAGRAM

2 AVENSIS (Cont' d)

(Cont. next page)

Multiplex Communication System (BEAN RHD)



*4 : w/Theft Deterrent
 *9 : w/Engine Immobiliser System
 *10 : w/Engine Immobiliser System

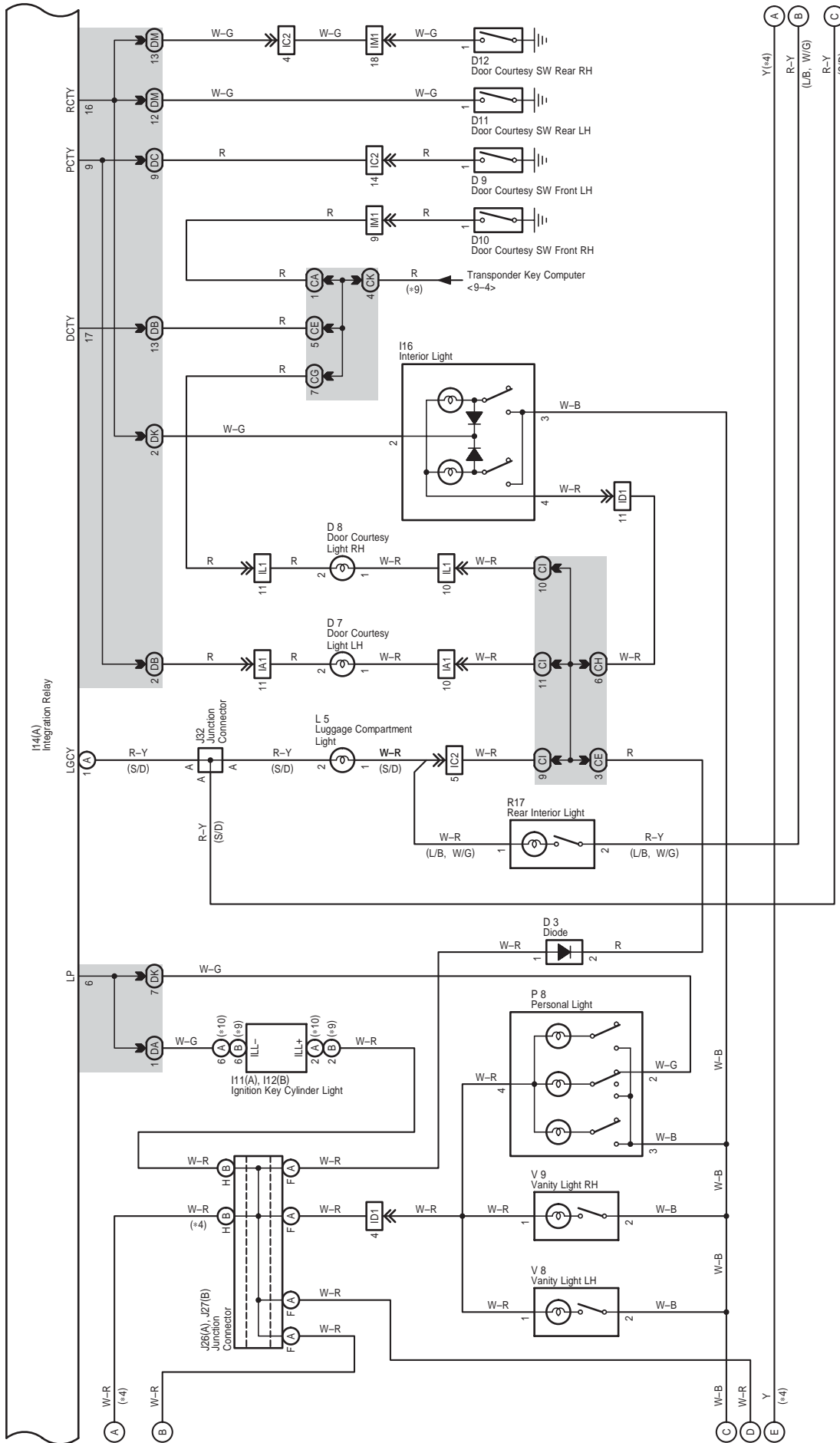
Multiplex Communication System (BEAN RHD)

16

15

14

13



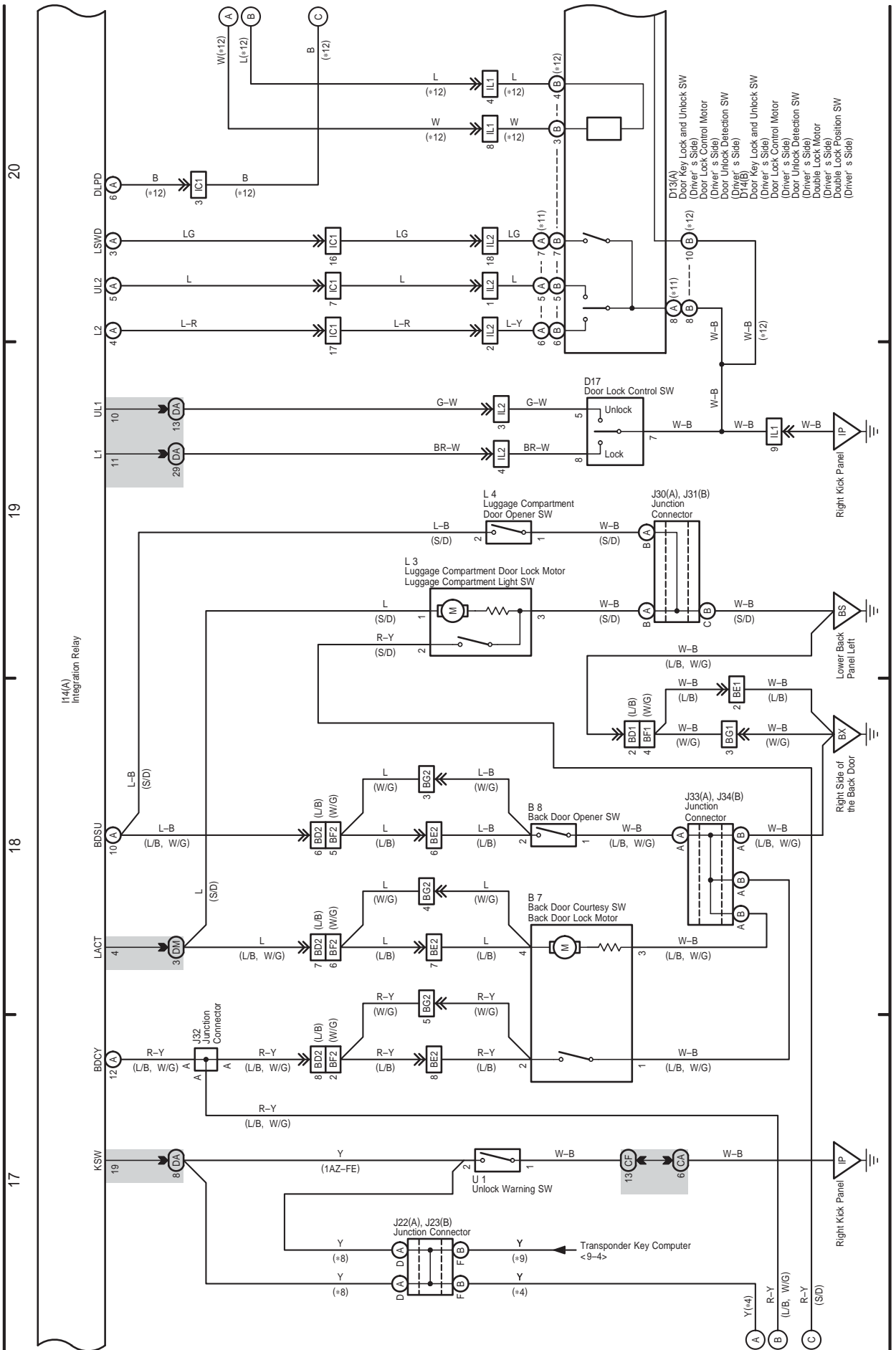
H OVERALL ELECTRICAL WIRING DIAGRAM

(Cont. next page)

2 AVENSIS (Cont' d)

- * 4 : w/ Theft Deterrent
- * 8 : Except 1AZ-FE
- * 9 : w/ Engine Immobiliser System
- * 11 : w/o Double Locking
- * 12 : w/ Double Locking

Multiplex Communication System (BEAN RHD)



2 AVENSIS (Cont' d)

Multiplex Communication System (BEAN RHD)

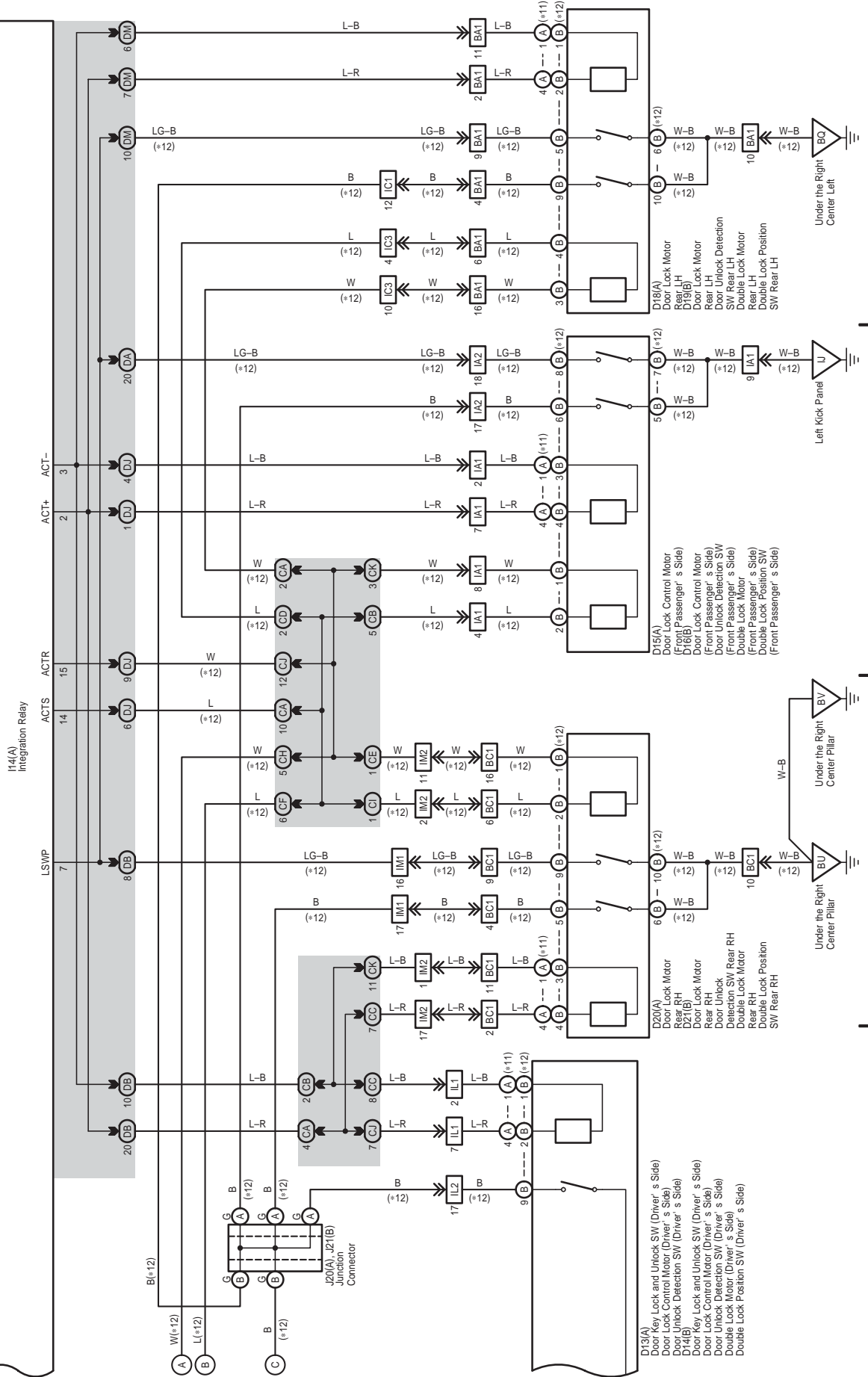
*11 : w/o Double Locking
 *12 : w/ Double Locking

24

23

22

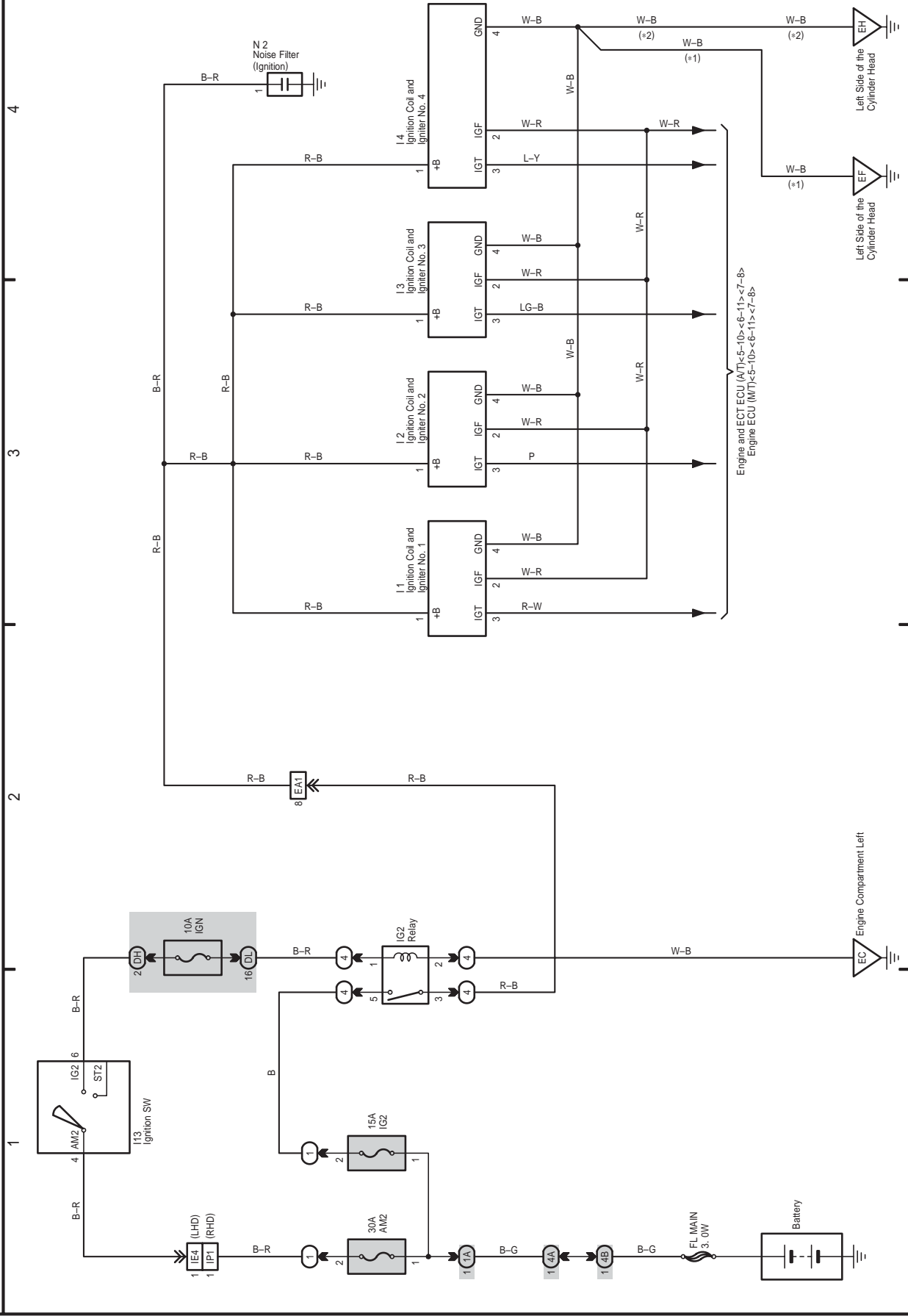
21



Power Source

Ignition

* 1 : 2AZ-FSE, 1AZ-FSE, 1AZ-FE
 * 2 : 1ZZ-FE, 3ZZ-FE

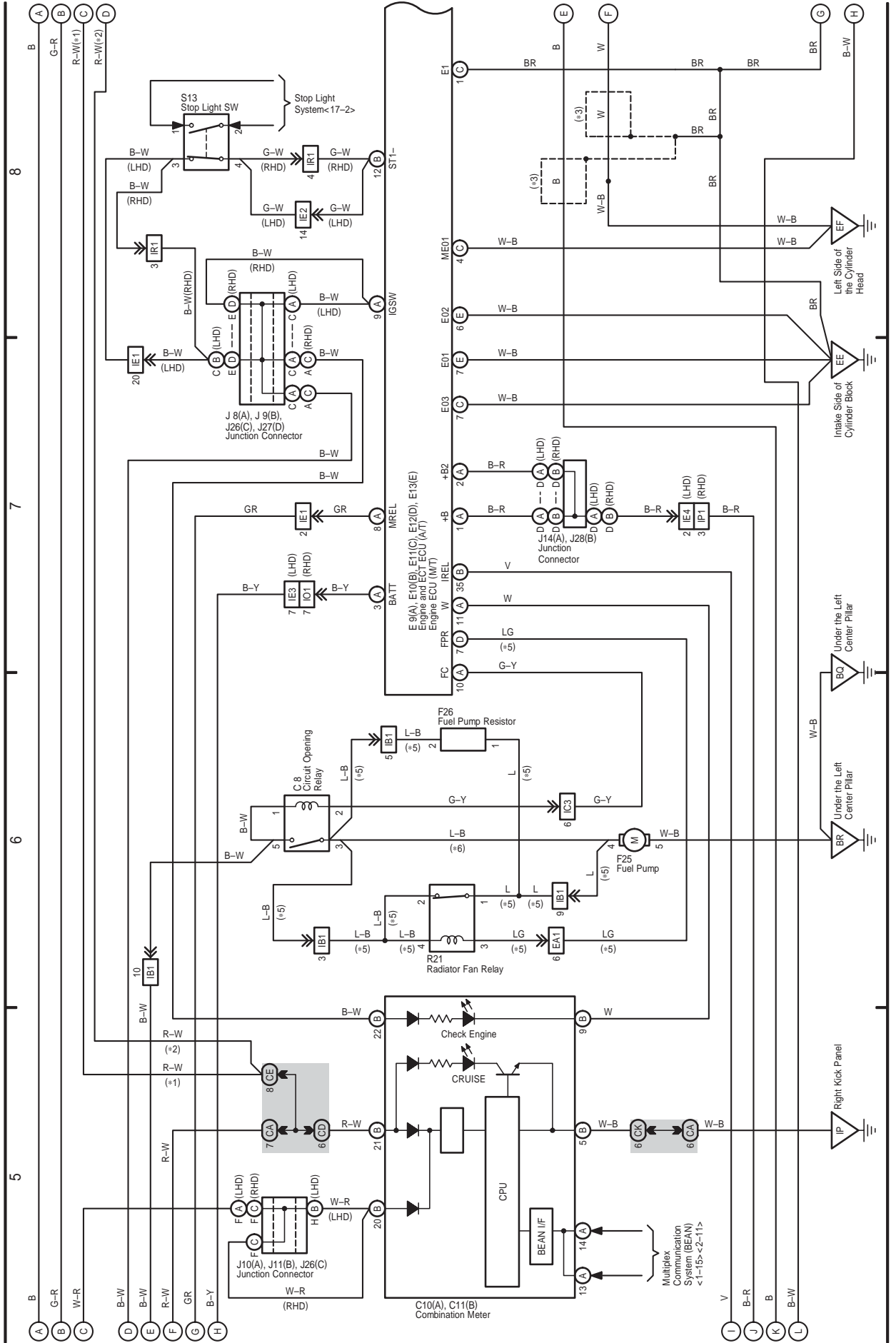


5 AVENSIS (Cont' d)

(Cont. next page)

- * 1: LHD MT
- * 2: RHD MT
- * 3: Shielded
- * 5: 2AZ-FSE
- * 6: 1AZ-FSE

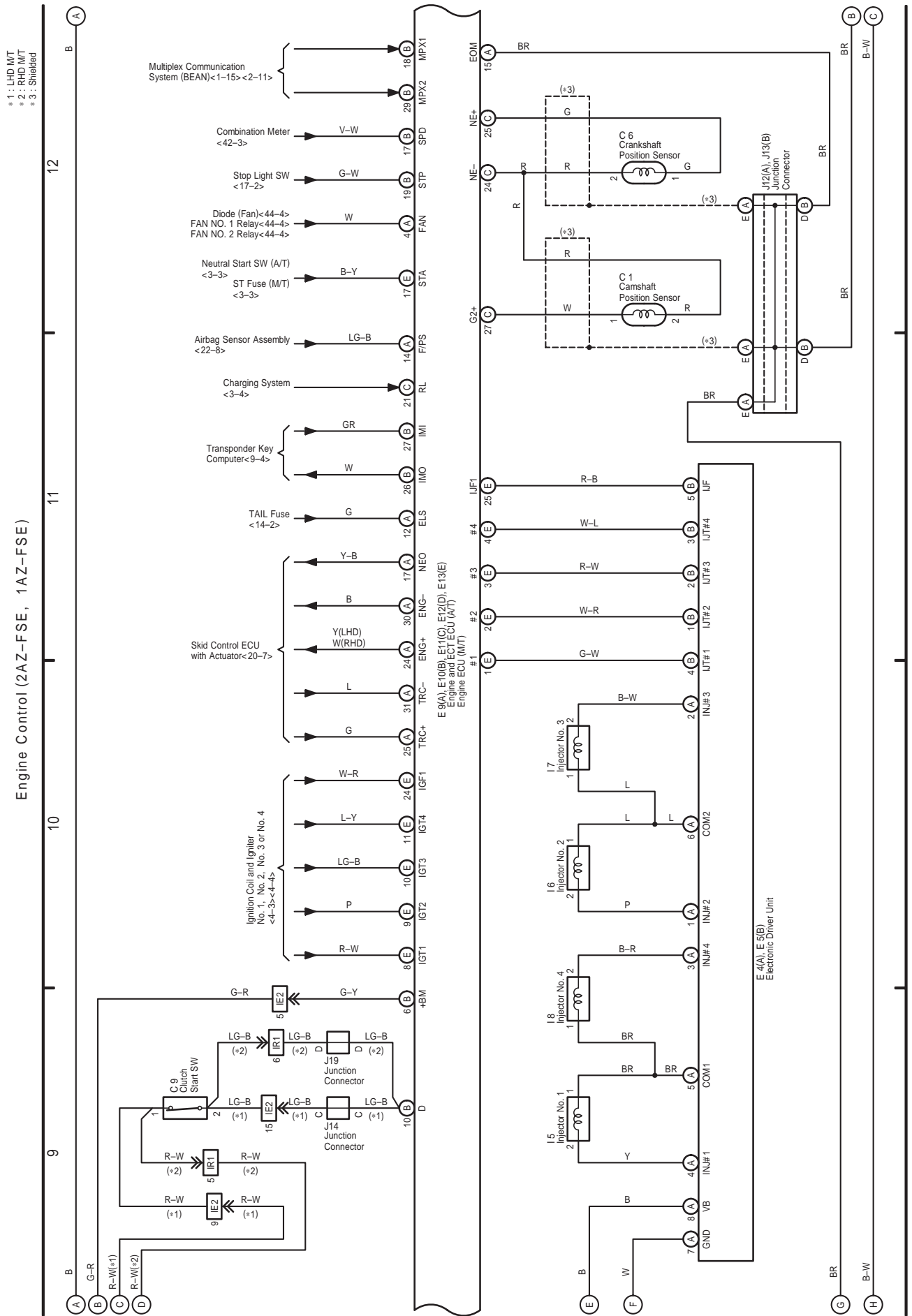
Engine Control (2AZ-FSE, 1AZ-FSE)



H OVERALL ELECTRICAL WIRING DIAGRAM

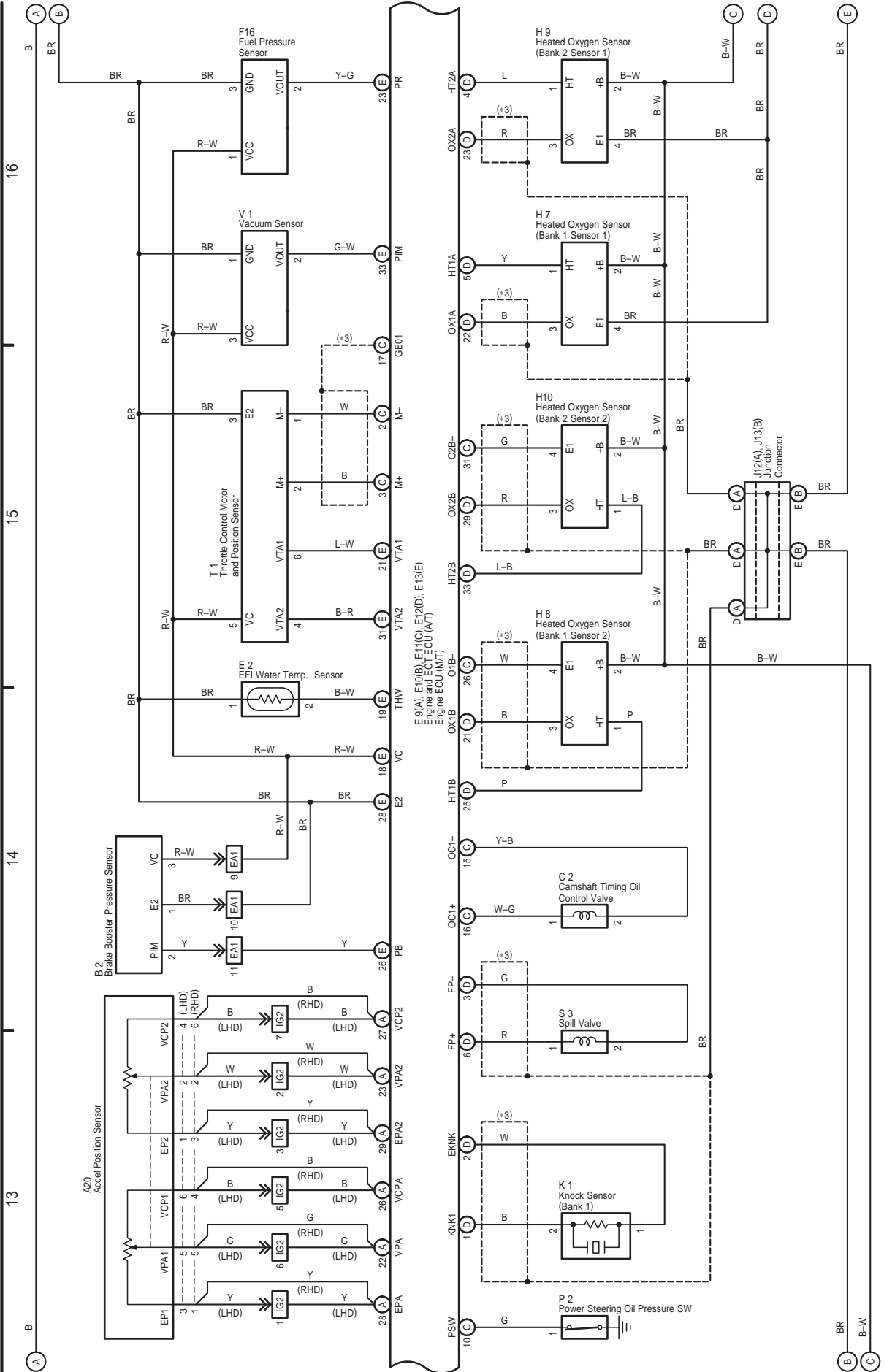
(Cont. next page)

5 AVENSIS (Cont' d)



Engine Control (2AZ-FSE, 1AZ-FSE)

* 3: Shielded



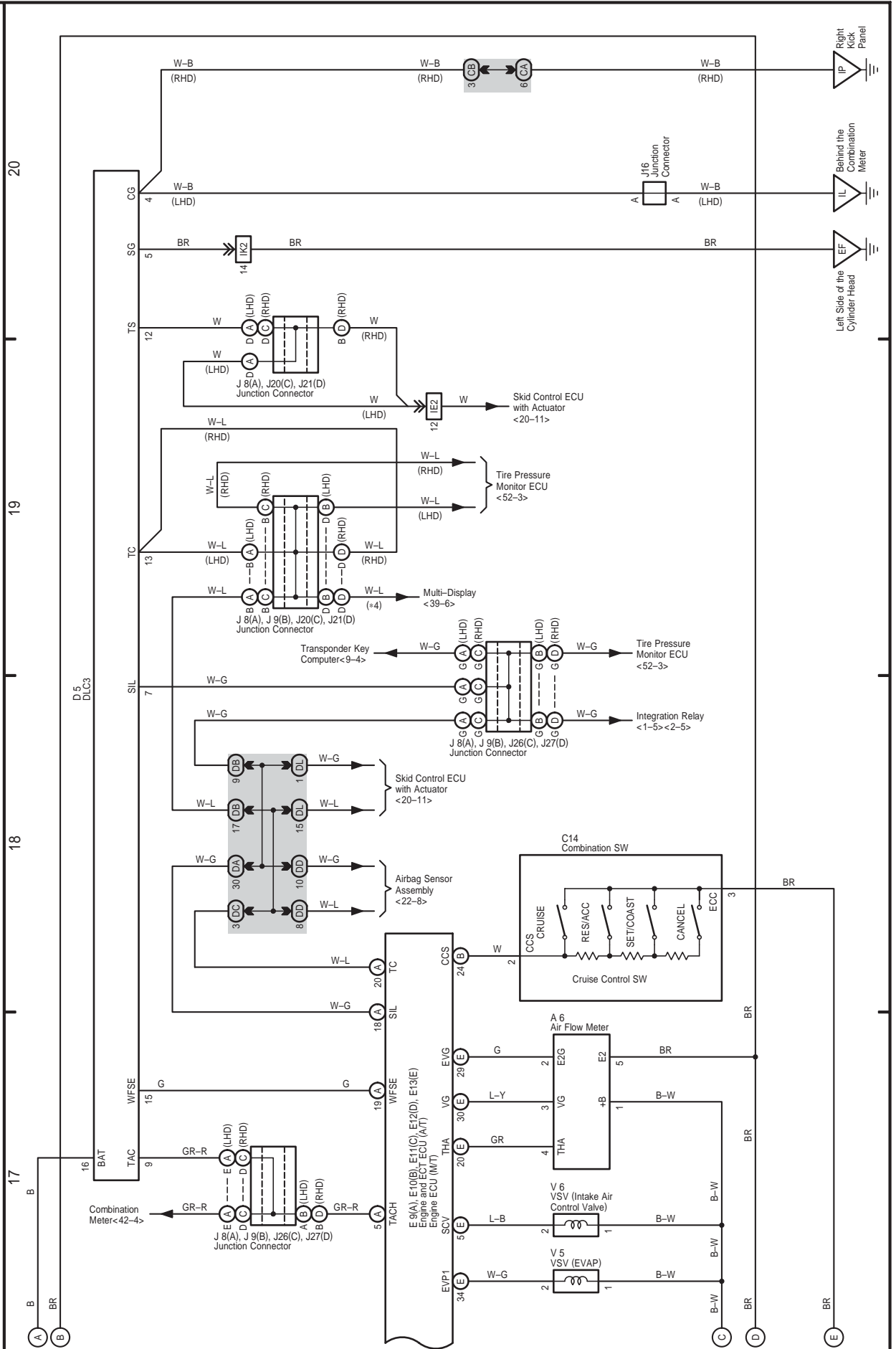
H OVERALL ELECTRICAL WIRING DIAGRAM

5 AVENSIS (Cont' d)

Engine Control (2AZ-FSE, 1AZ-FSE)

Cruise Control (2AZ-FSE, 1AZ-FSE)

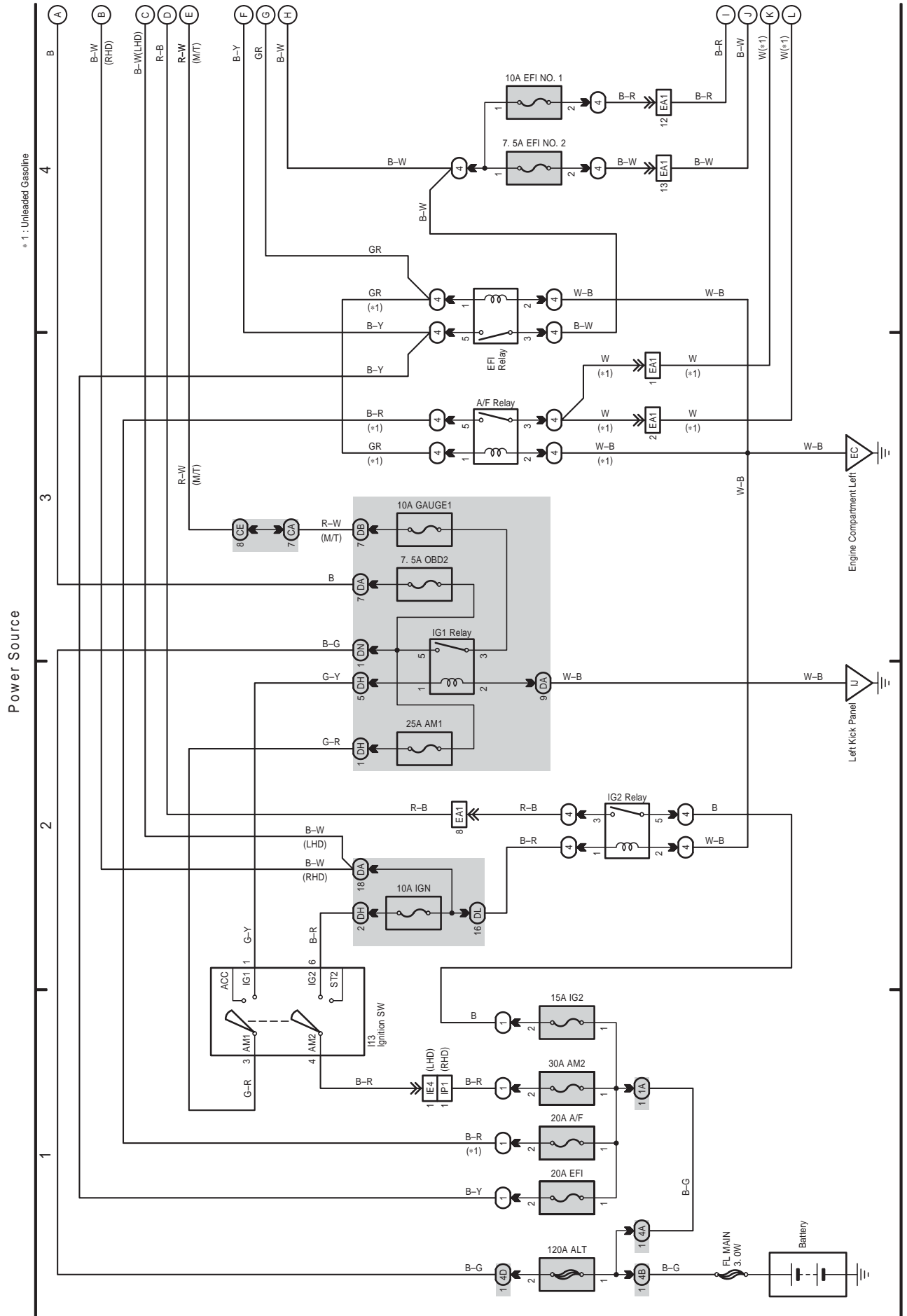
* 4 : w/ Navigation System (Map Type)



H OVERALL ELECTRICAL WIRING DIAGRAM

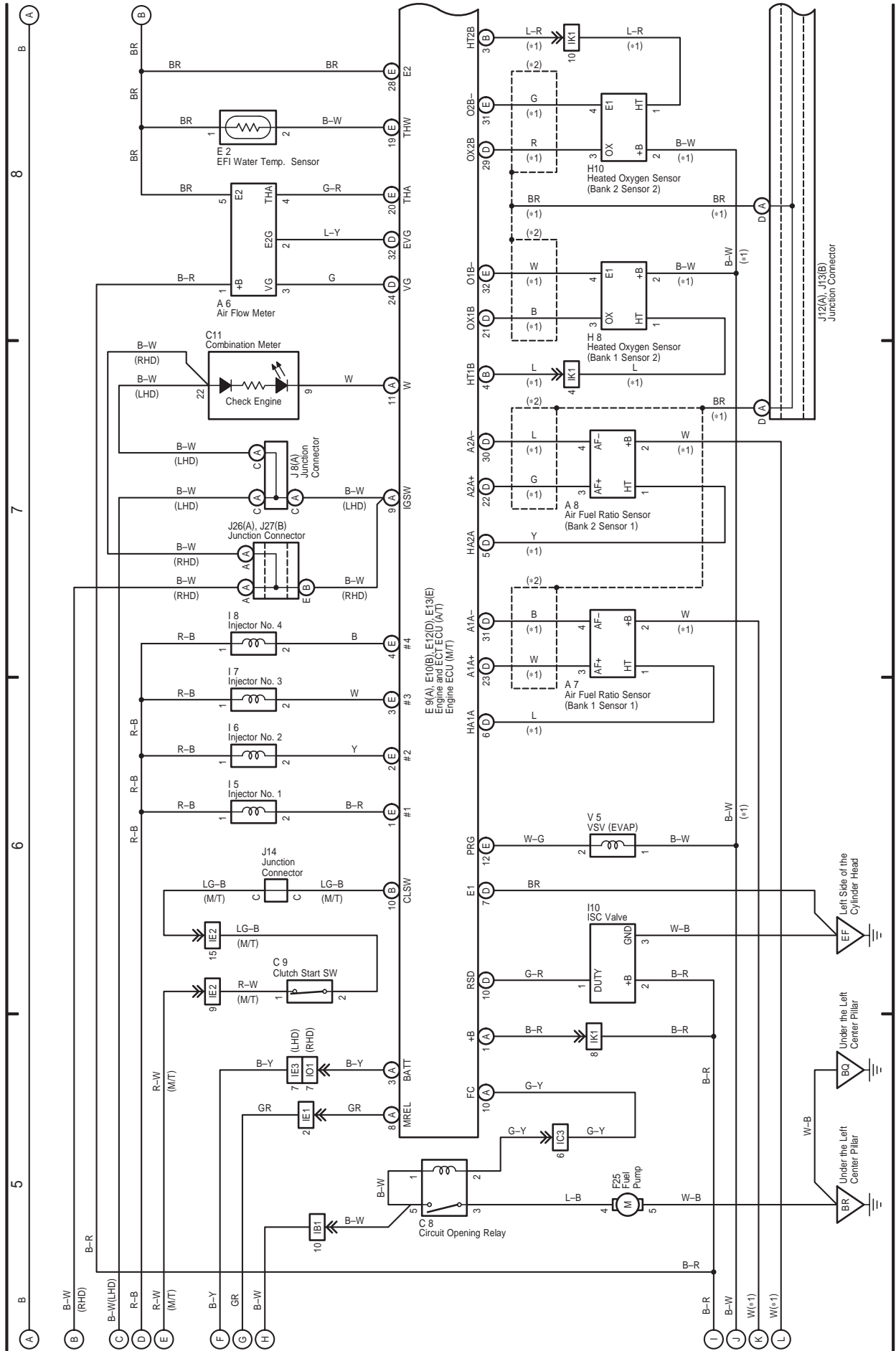
(Cont. next page)

6 AVENSIS



Engine Control (1AZ-FE)

* 1 : Unshielded Gasoline
* 2 : Shielded



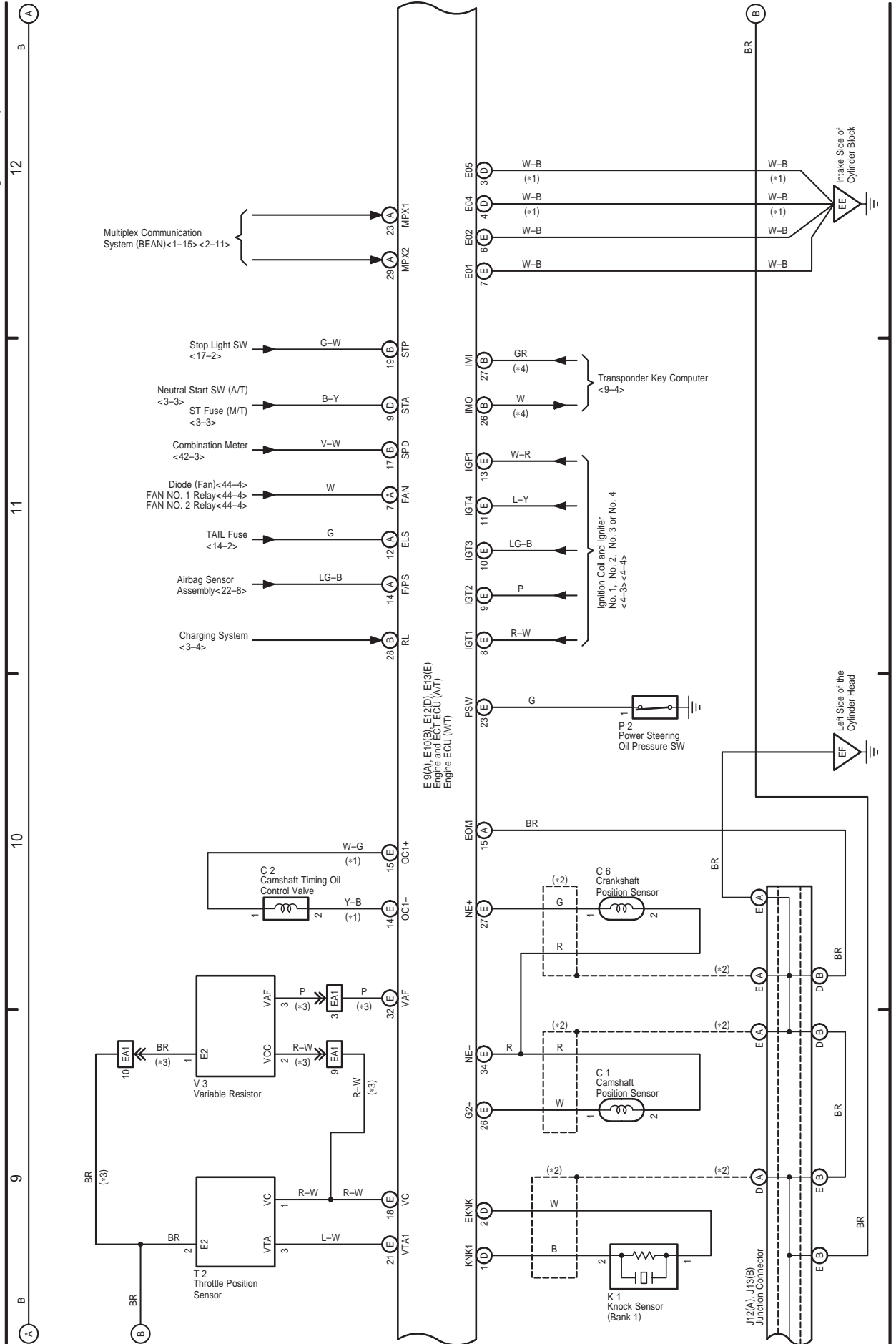
H OVERALL ELECTRICAL WIRING DIAGRAM

6 AVENSIS (Cont' d)

(Cont. next page)

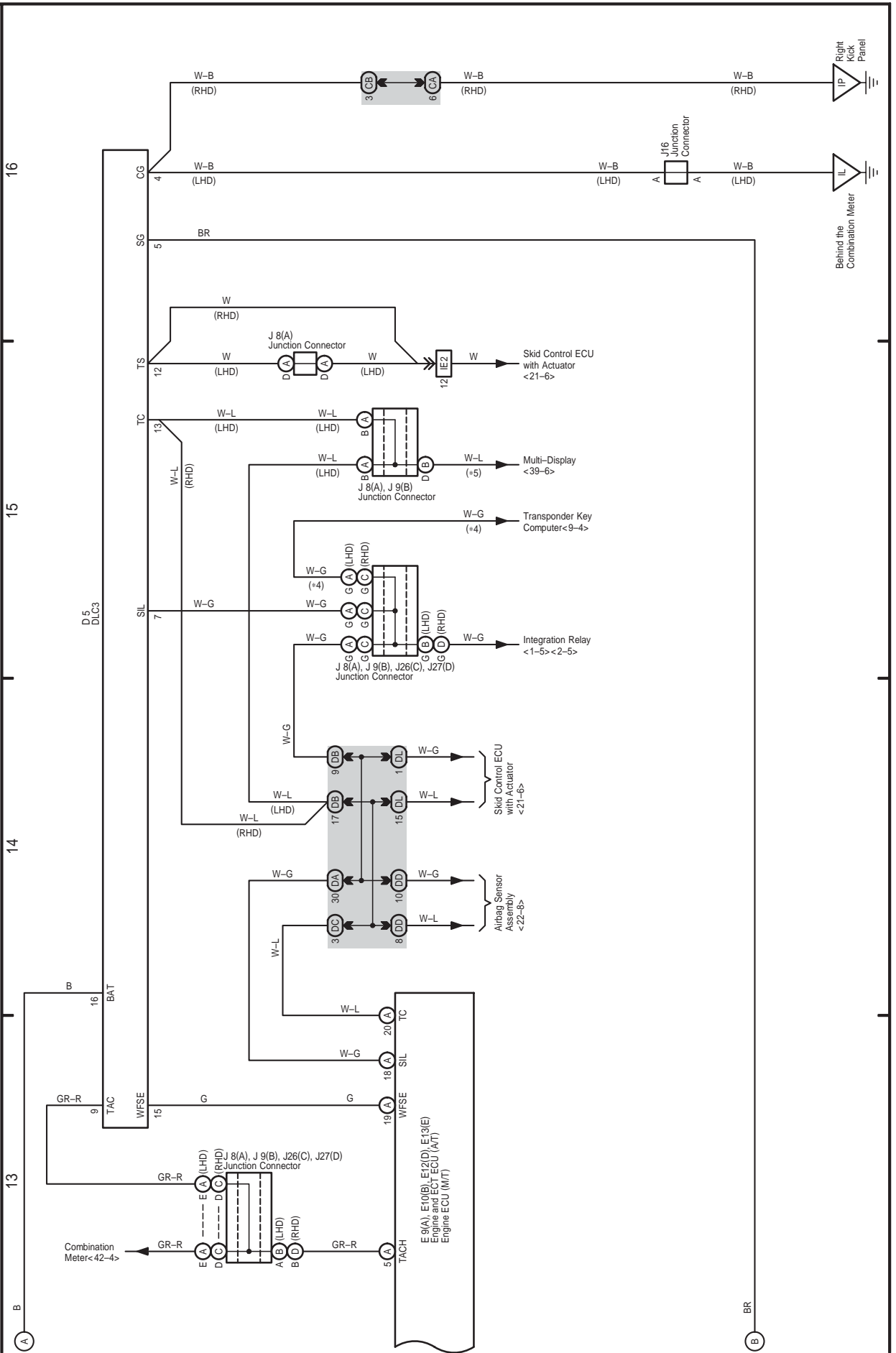
- * 1 : Unleaded Gasoline
- * 2 : Shielded
- * 3 : Leaded Gasoline
- * 4 : w/Engine Immobiliser System

Engine Control (1AZ-FE)



6 AVENSIS (Cont'd)

Engine Control (1AZ-FE)



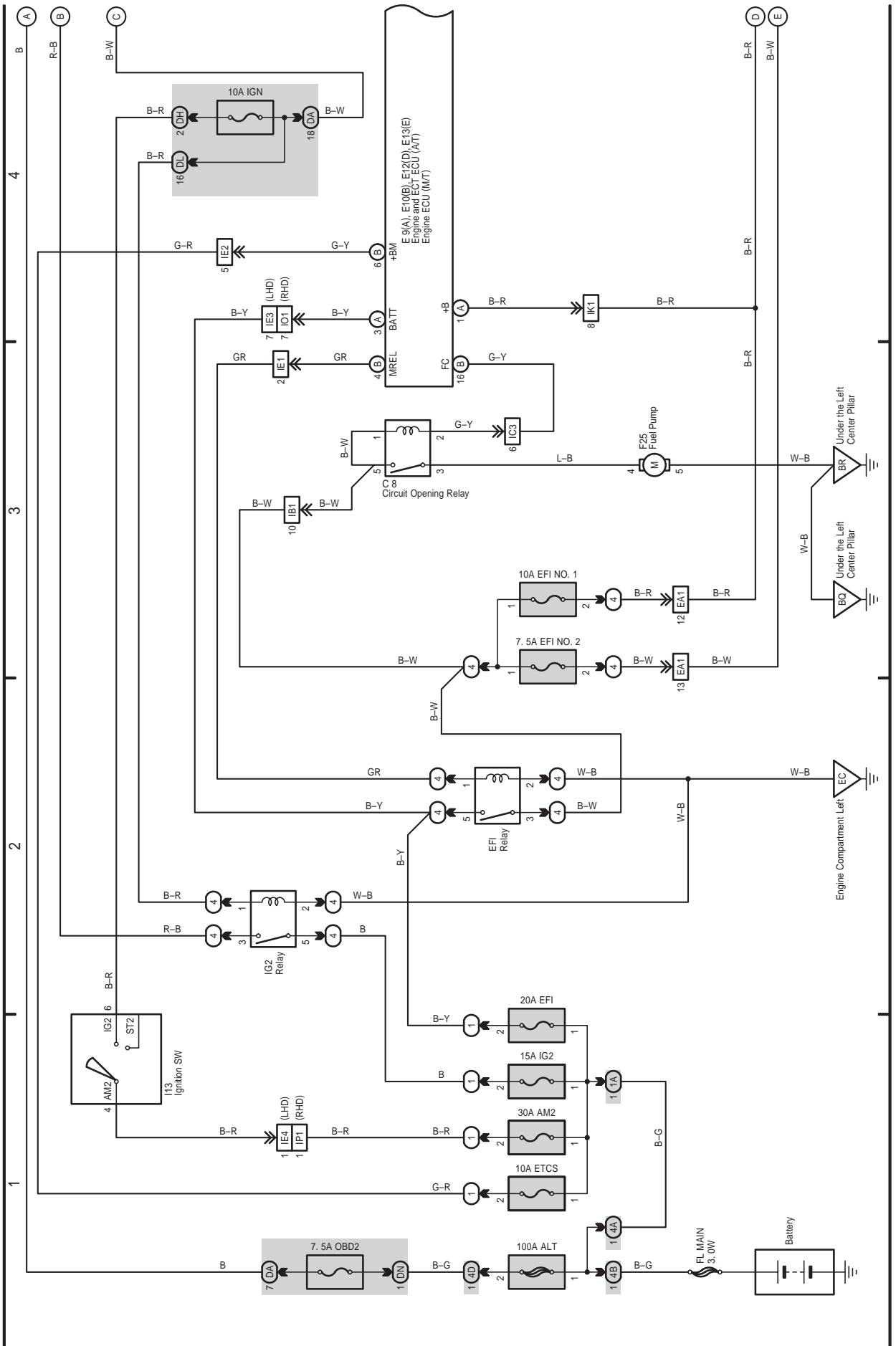
H OVERALL ELECTRICAL WIRING DIAGRAM

7 AVENSIS

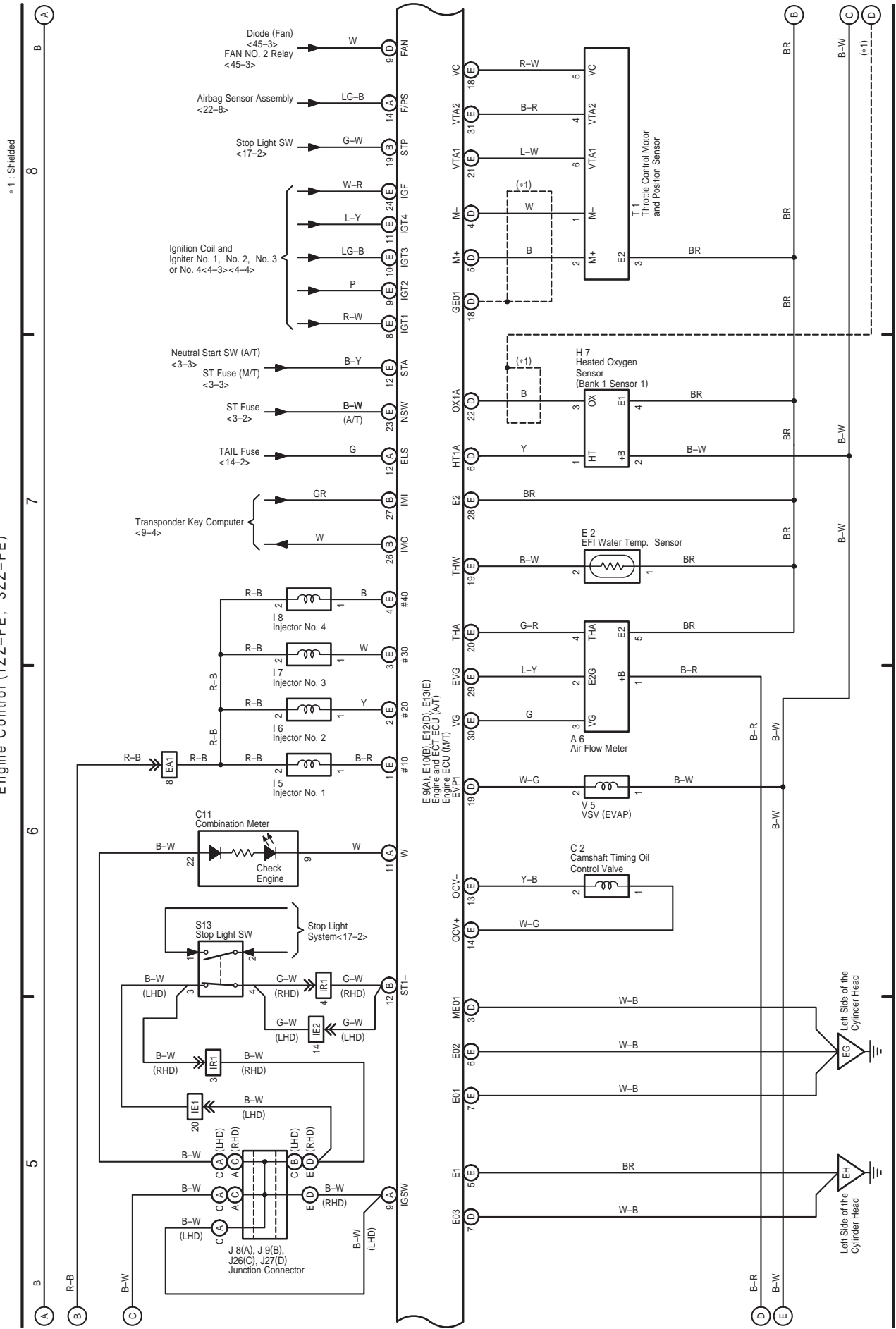
(Cont. next page)

Engine Control (1ZZ-FE, 3ZZ-FE)

Power Source



Engine Control (1ZZ-FE, 3ZZ-FE)

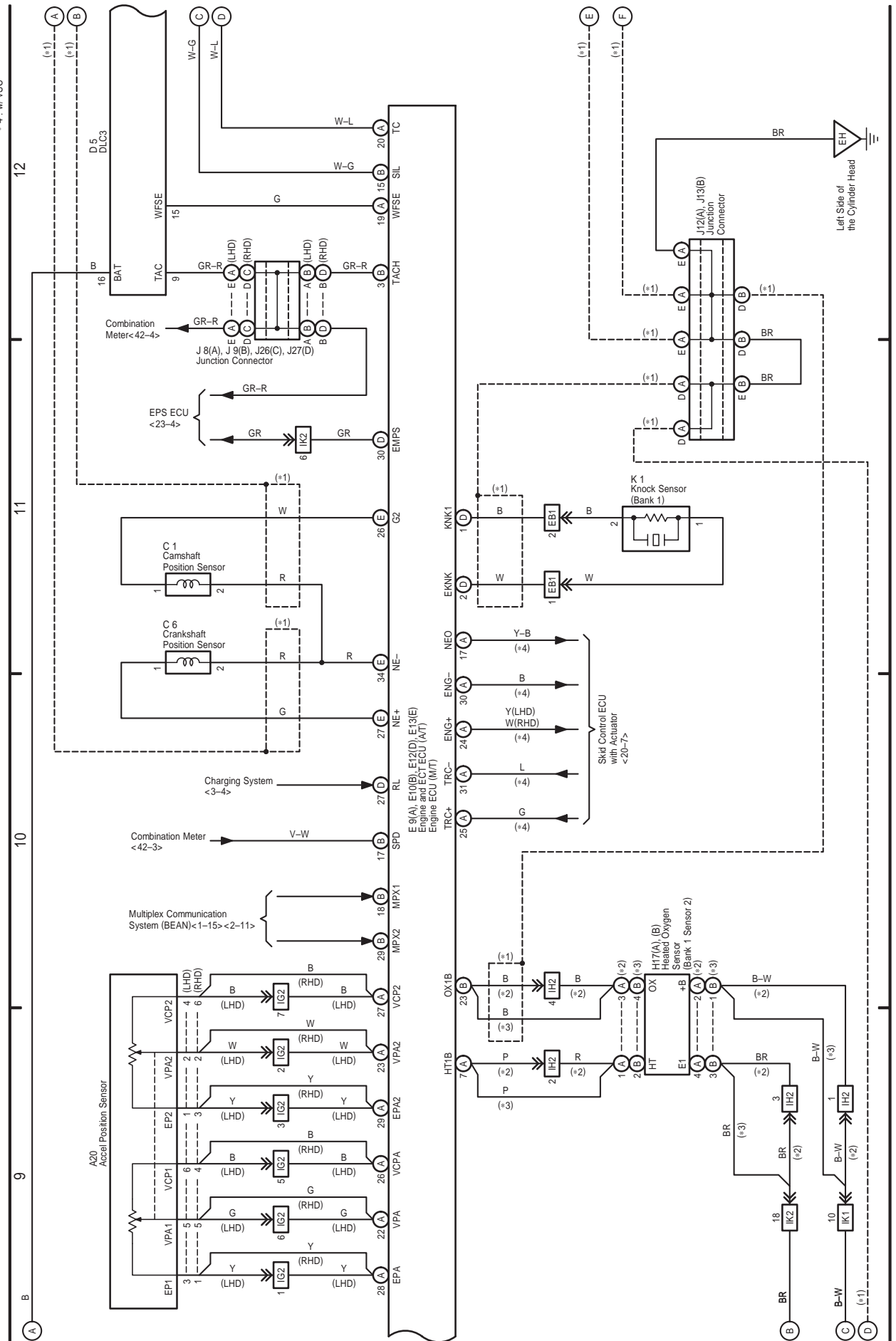


H OVERALL ELECTRICAL WIRING DIAGRAM

(Cont. next page)

- * 1 : Shielded
- * 2 : w/ HID
- * 3 : w/o HID
- * 4 : w/ VSC

Engine Control (1ZZ-FE, 3ZZ-FE)

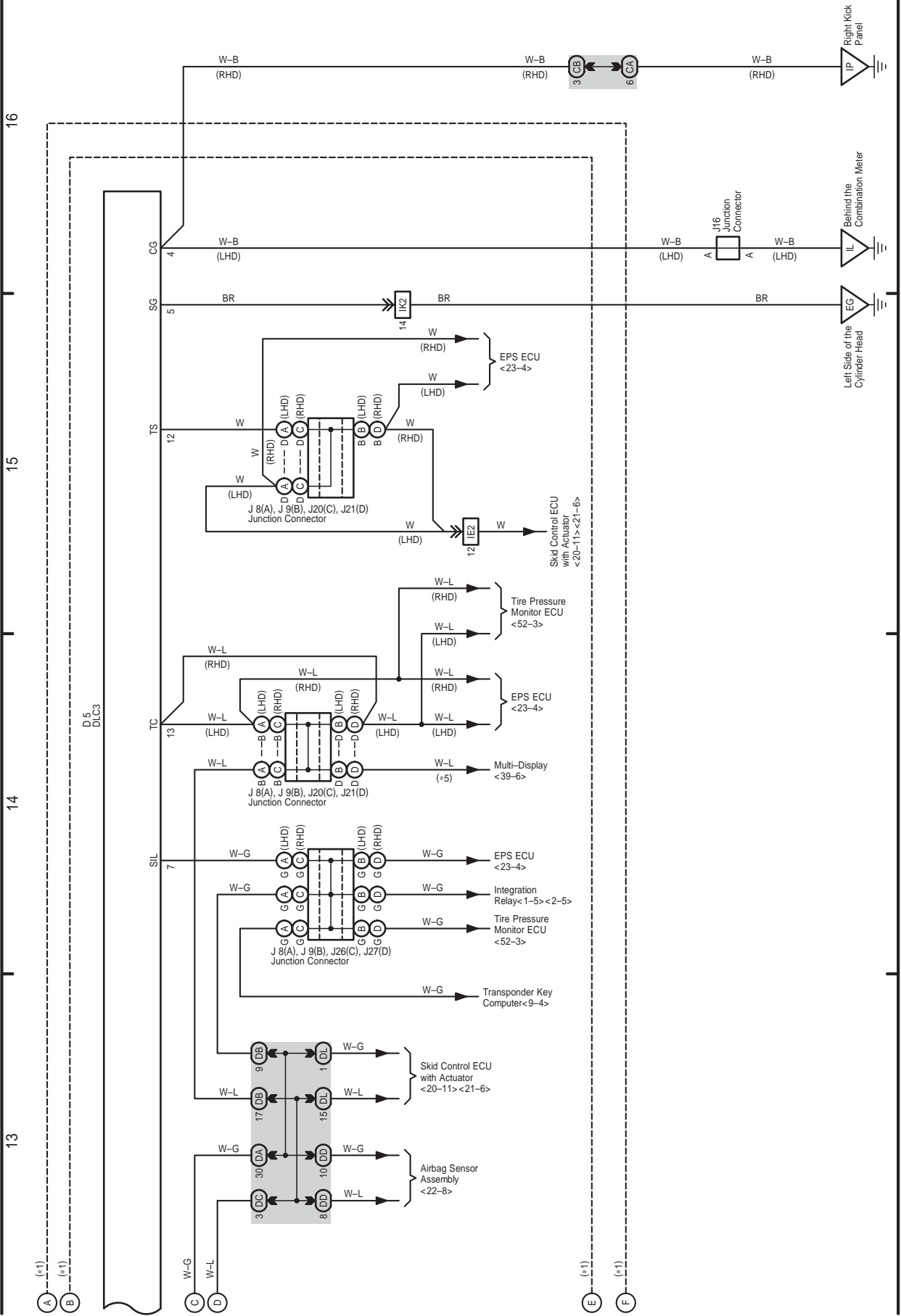


7 AVENSIS (Cont' d)

7 AVENSIS (Cont' d)

Engine Control (1ZZ-FE, 3ZZ-FE)

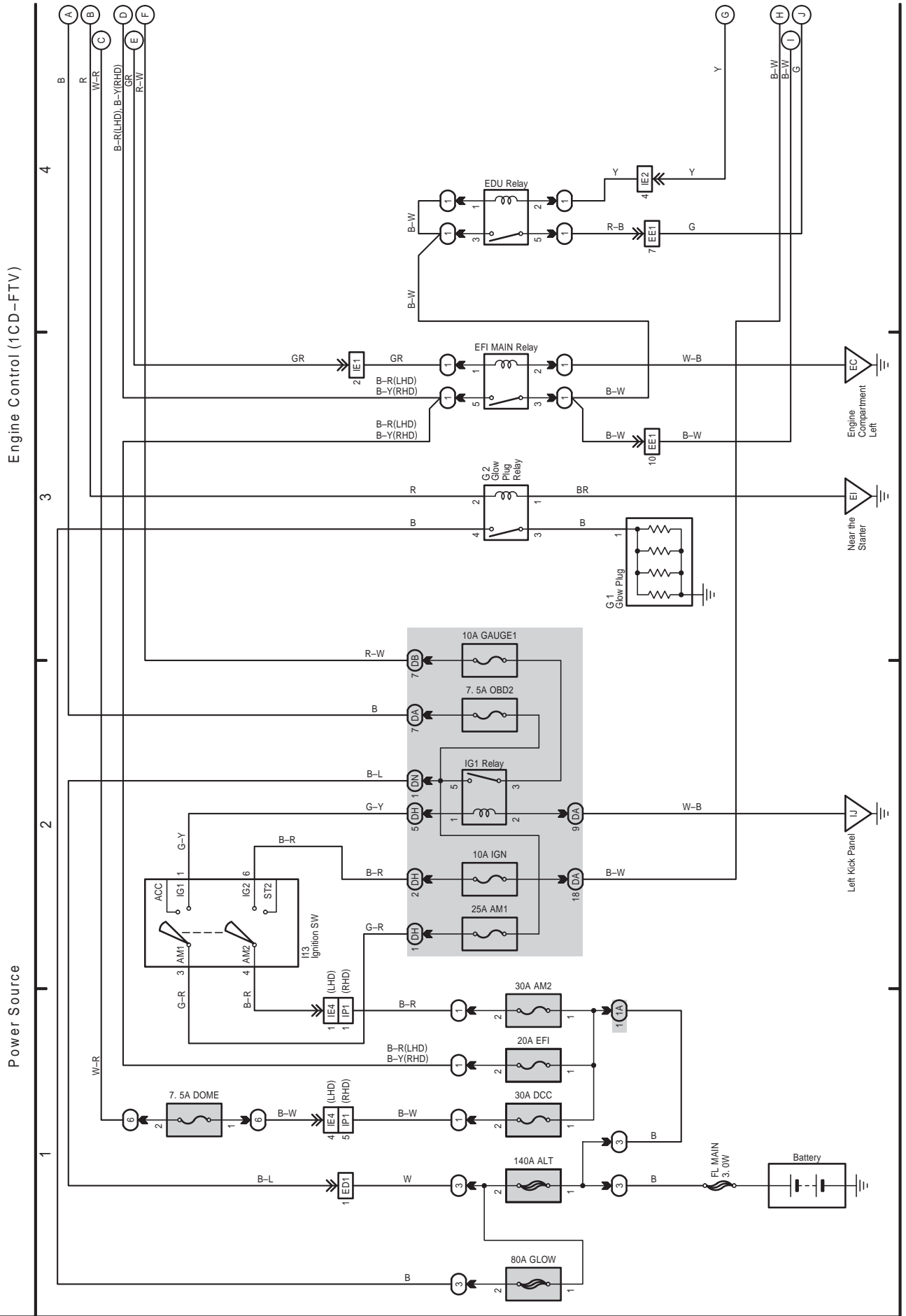
* 1 : Shielded
 * 5 : w/ Navigation System (Map Type)



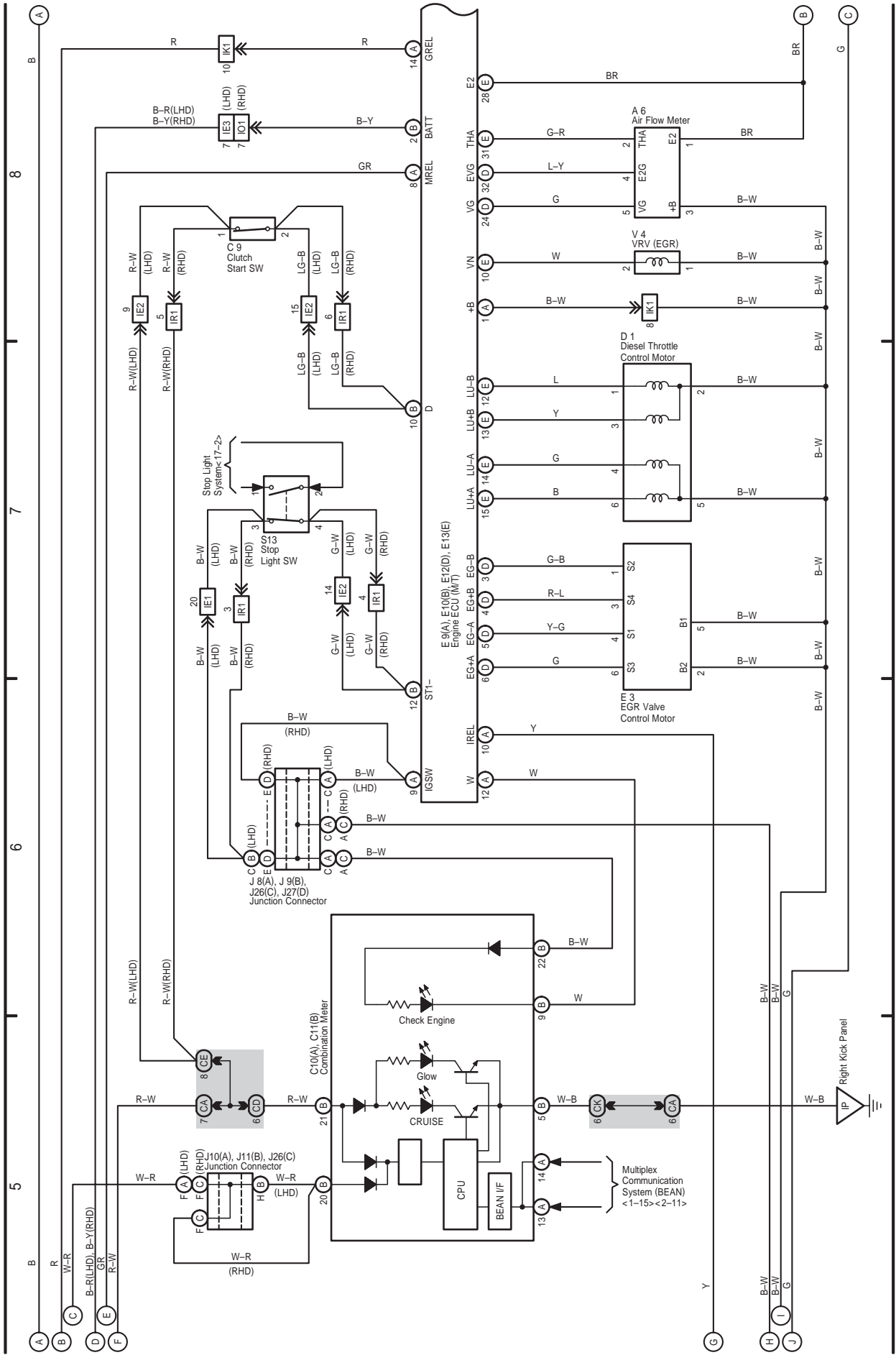
H OVERALL ELECTRICAL WIRING DIAGRAM

(Cont. next page)

8 AVENSIS



Engine Control (1CD-FTV)

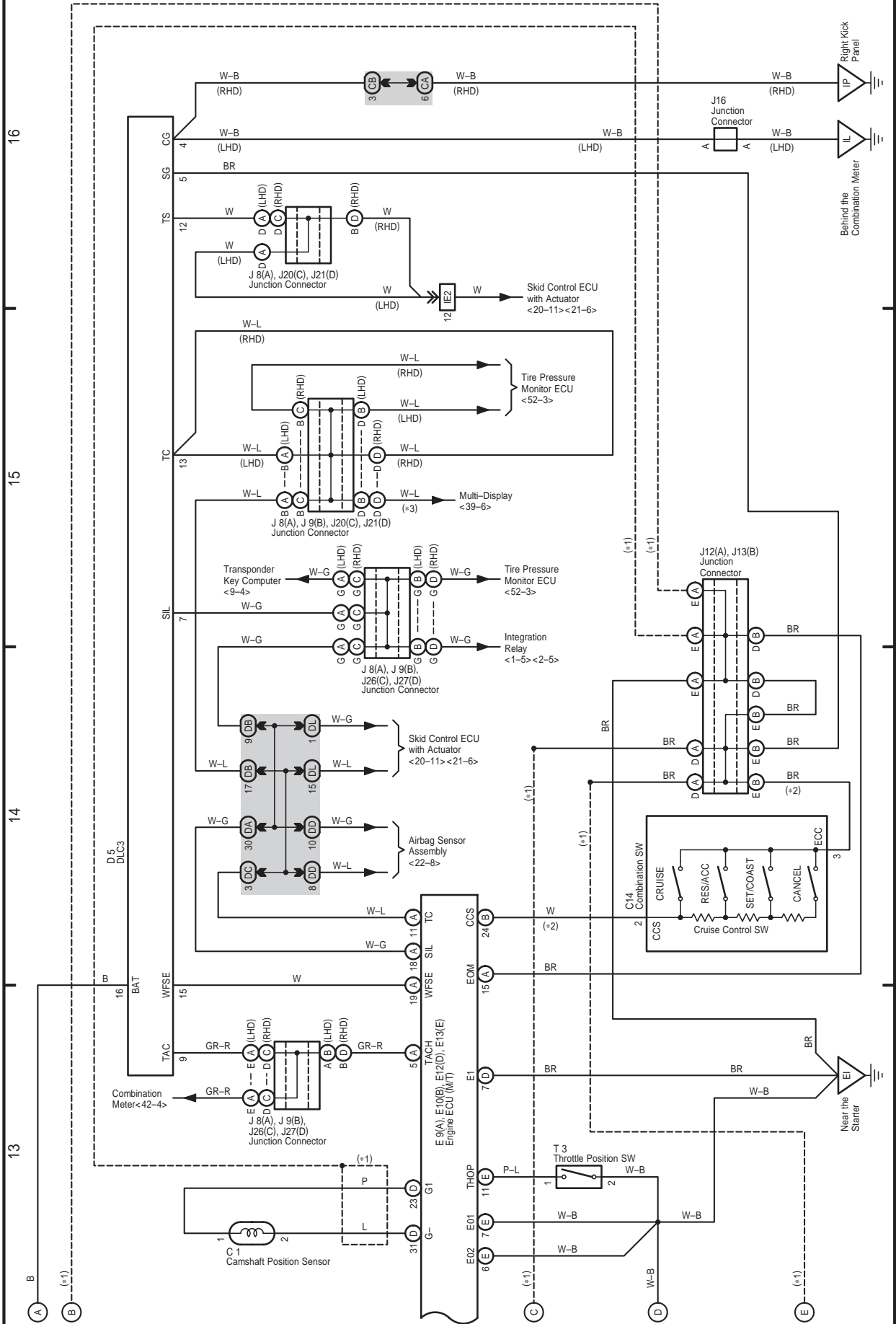


8 AVENSIS (Cont' d)

Engine Control (1CD-FTV)

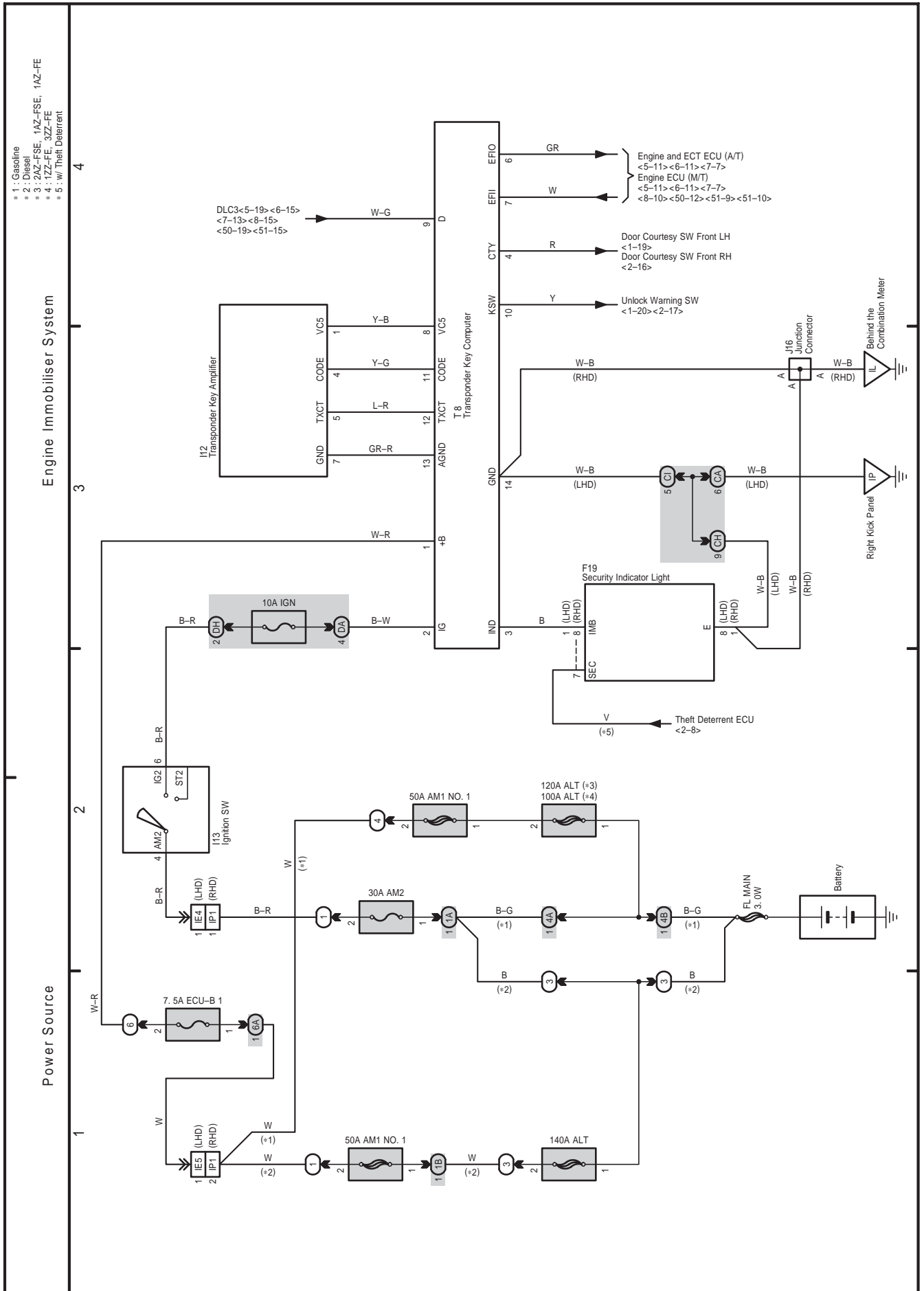
Cruise Control (1CD-FTV)

* 1 : Shielded
 * 2 : w/ Cruise Control
 * 3 : w/ Navigation System (Map Type)



H OVERALL ELECTRICAL WIRING DIAGRAM

9 AVENSIS



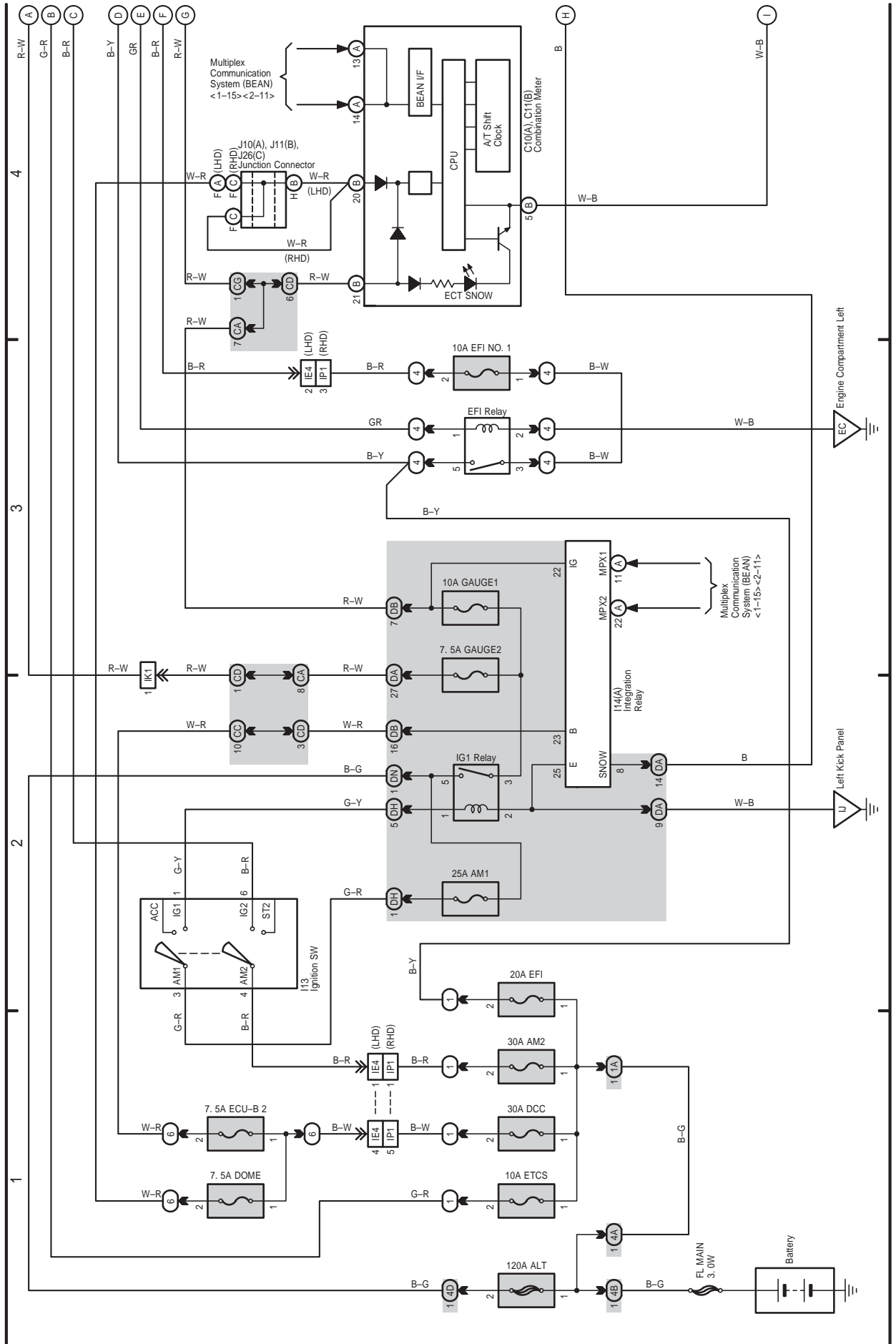
H OVERALL ELECTRICAL WIRING DIAGRAM

10 AVENSIS

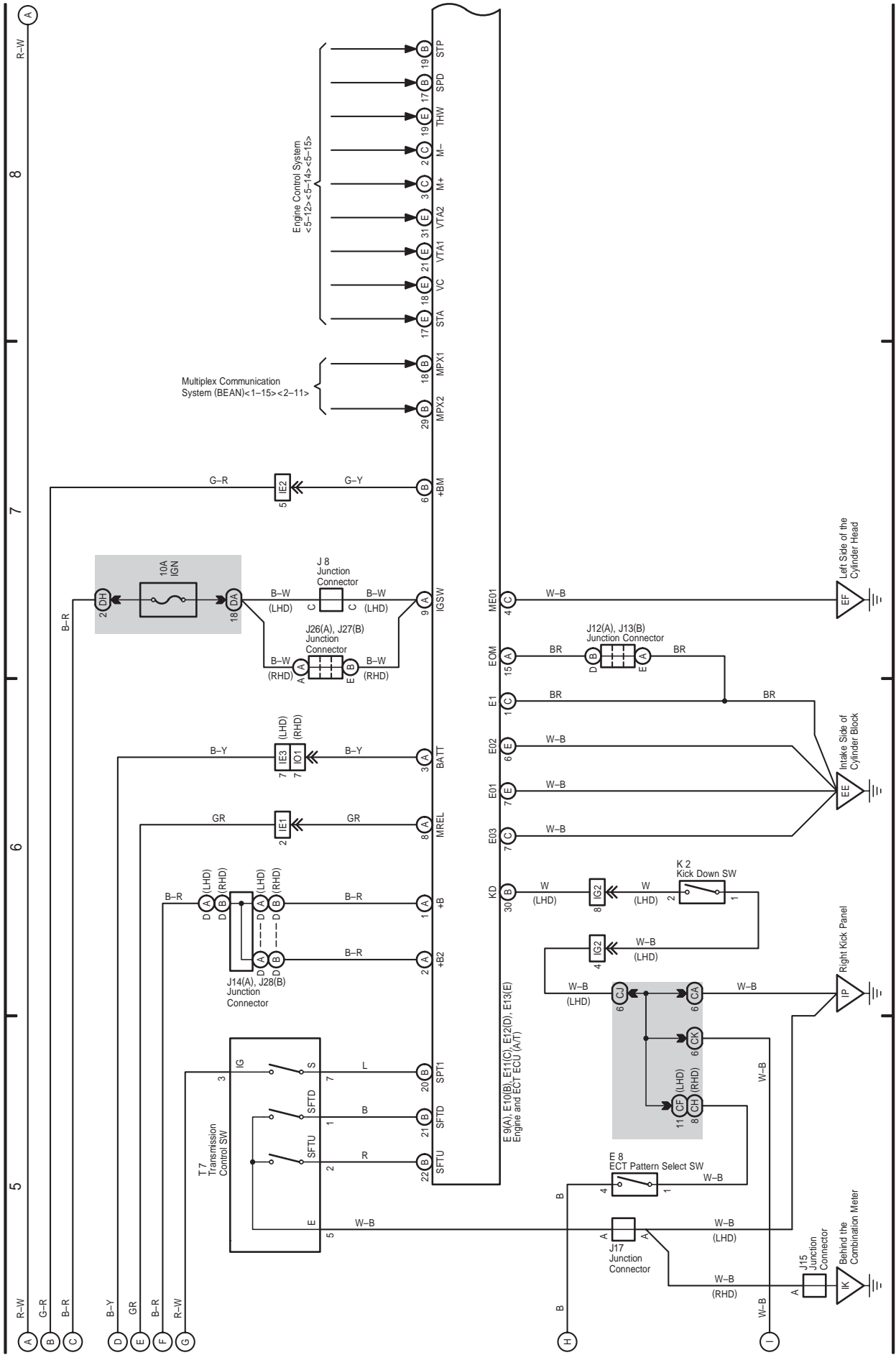
(Cont. next page)

ECT and A/T Indicator (2AZ-FSE, 1AZ-FSE)

Power Source



ECT and A/T Indicator (2AZ-FSE, 1AZ-FSE)



H OVERALL ELECTRICAL WIRING DIAGRAM

10 AVENSIS (Cont' d)

ECT and A/T Indicator (2AZ-FSE, 1AZ-FSE)

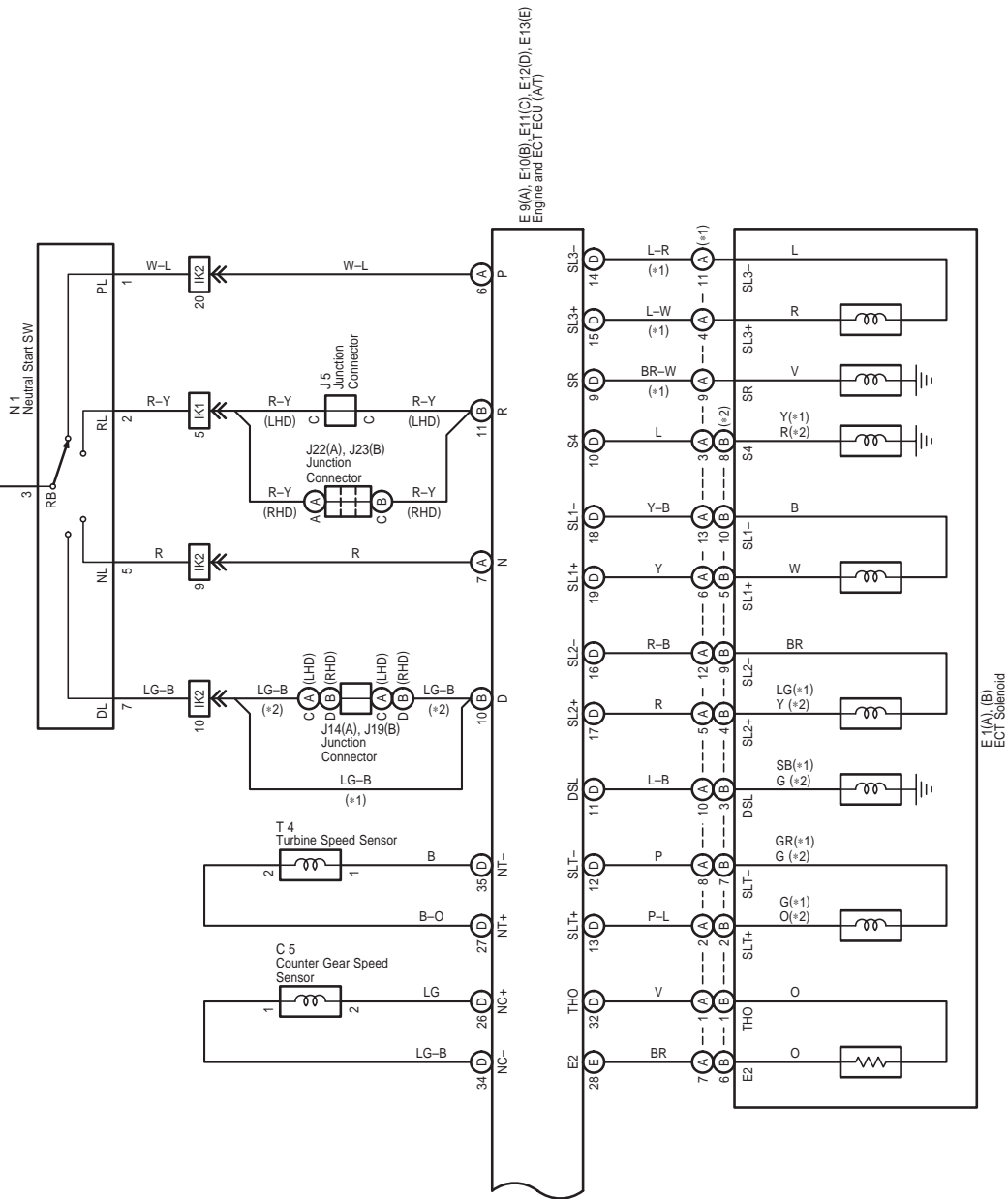
* 1 : 2AZ-FSE
* 2 : 1AZ-FSE

12

11

9

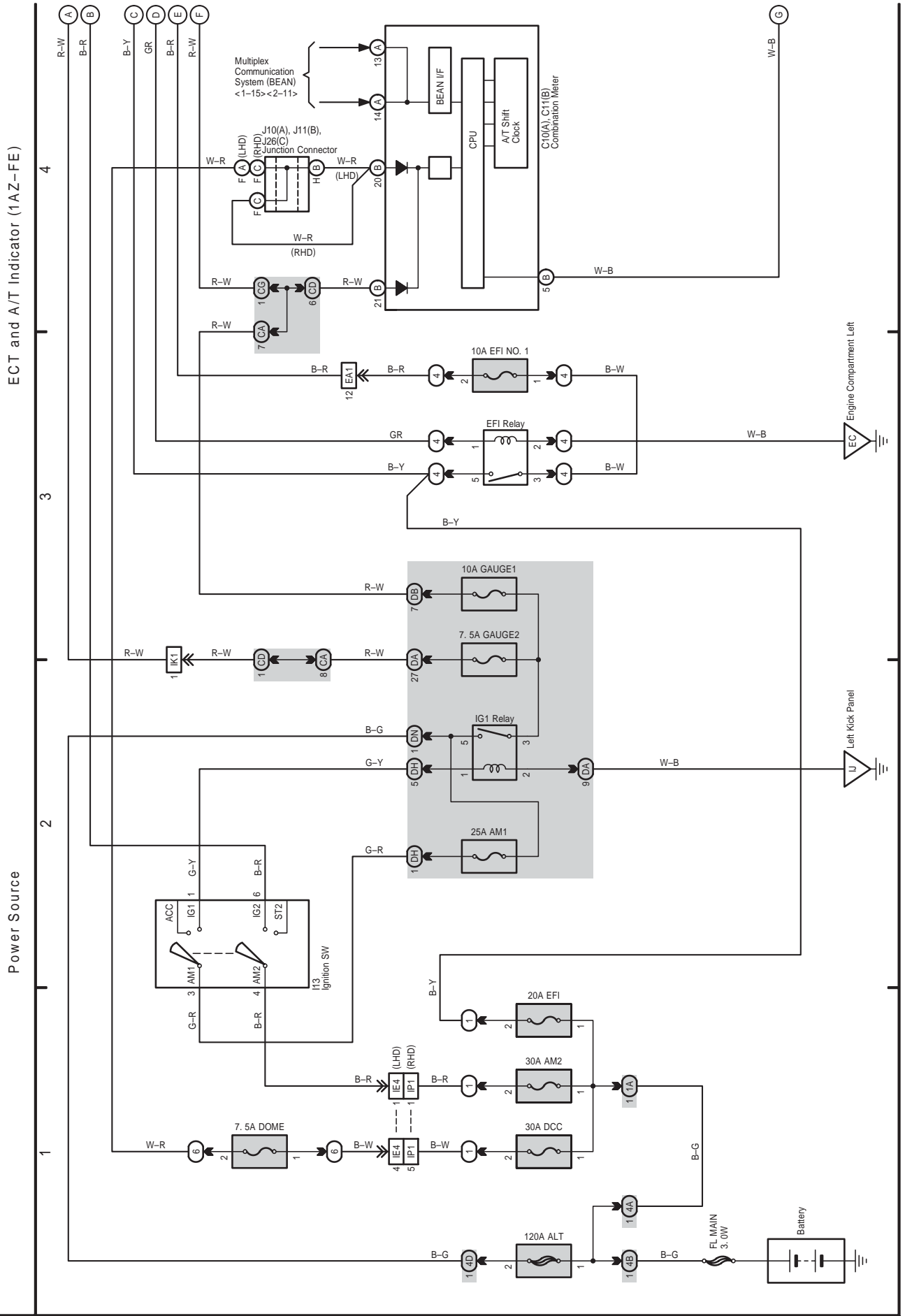
(A) R-W



H OVERALL ELECTRICAL WIRING DIAGRAM

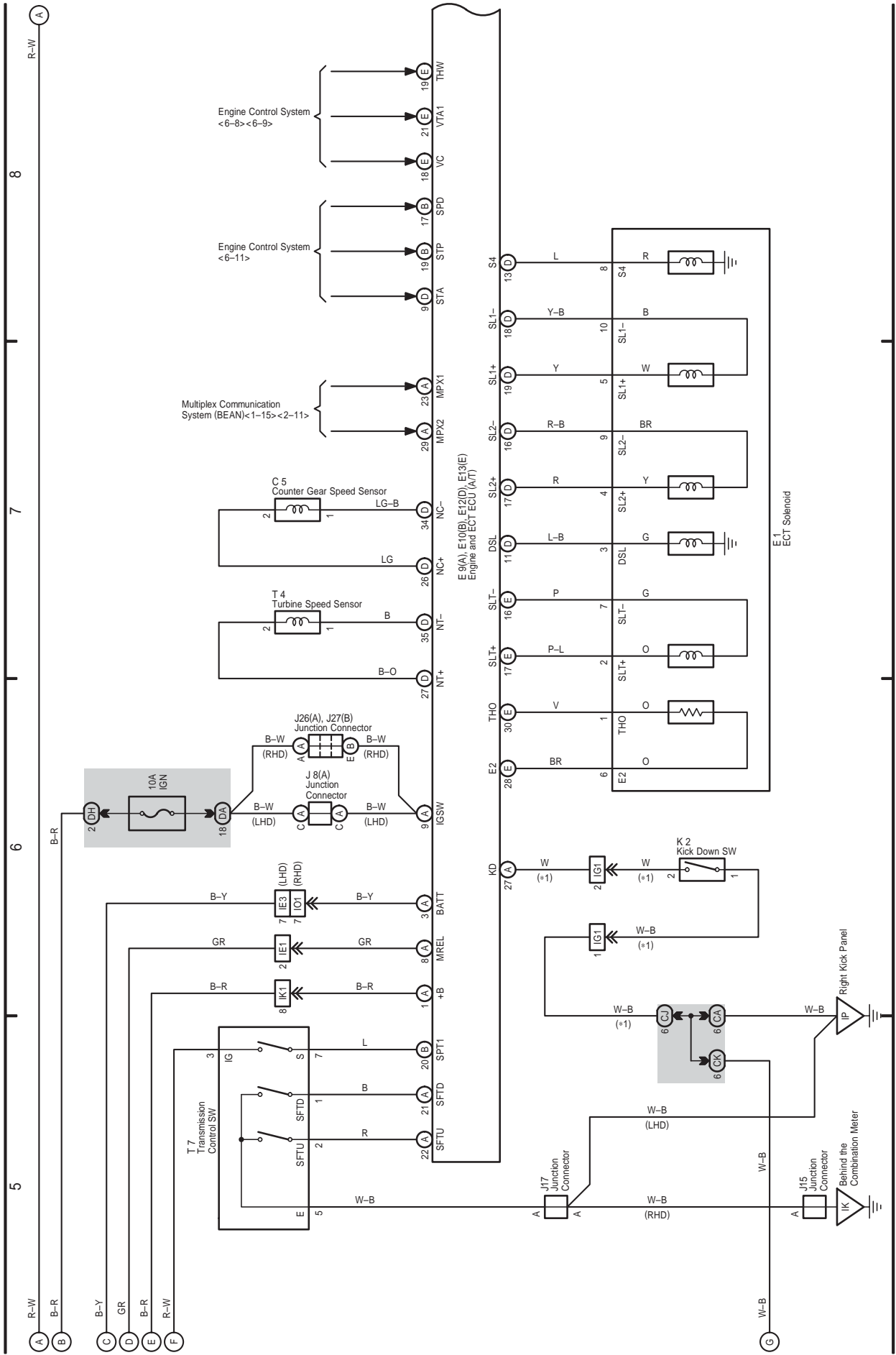
(Cont. next page)

11 AVENSIS



ECT and A/T Indicator (1AZ-FE)

* 1 : Europe

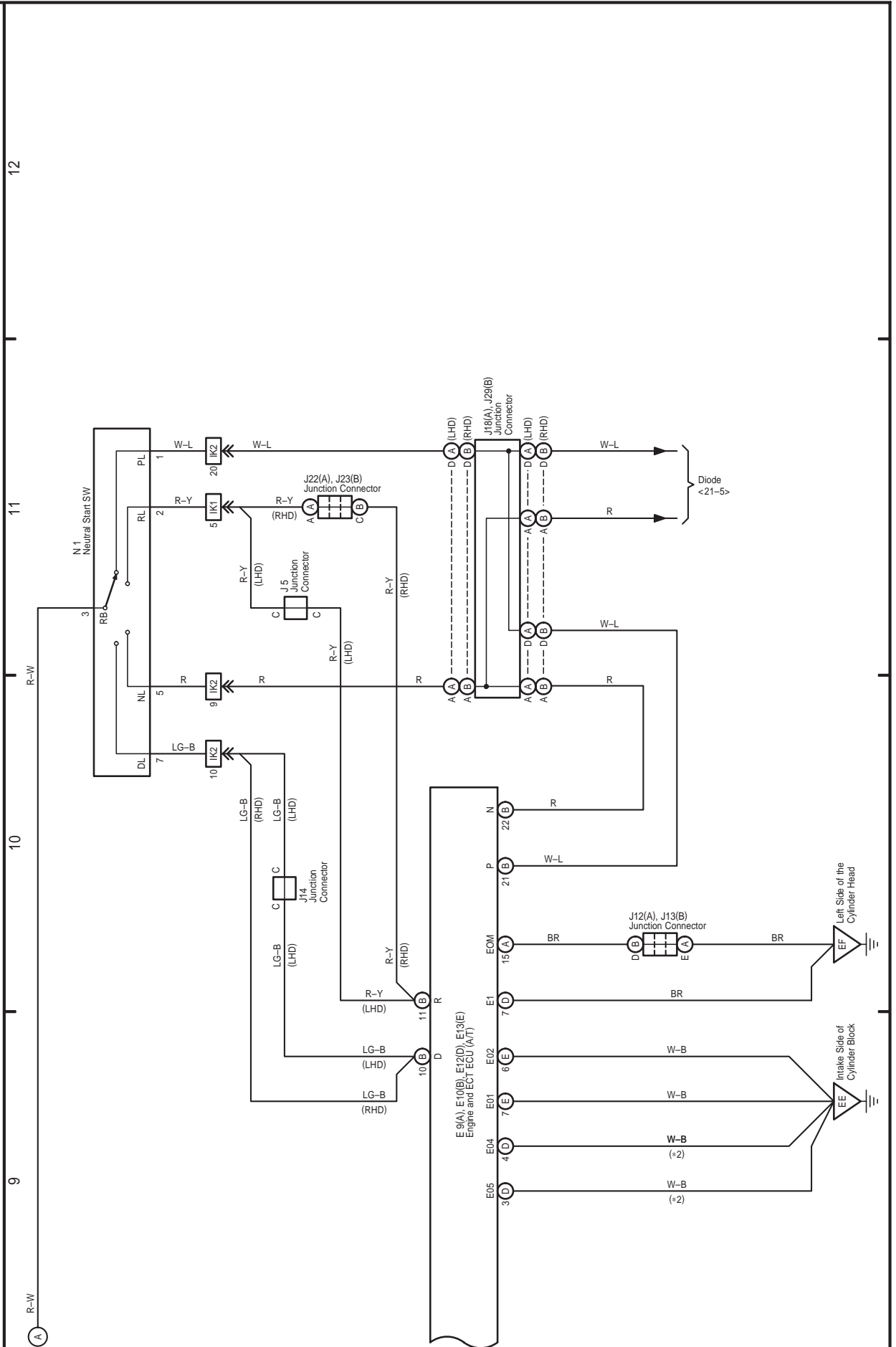


H OVERALL ELECTRICAL WIRING DIAGRAM

11 AVENSIS (Cont' d)

ECT and A/T Indicator (1AZ-FE)

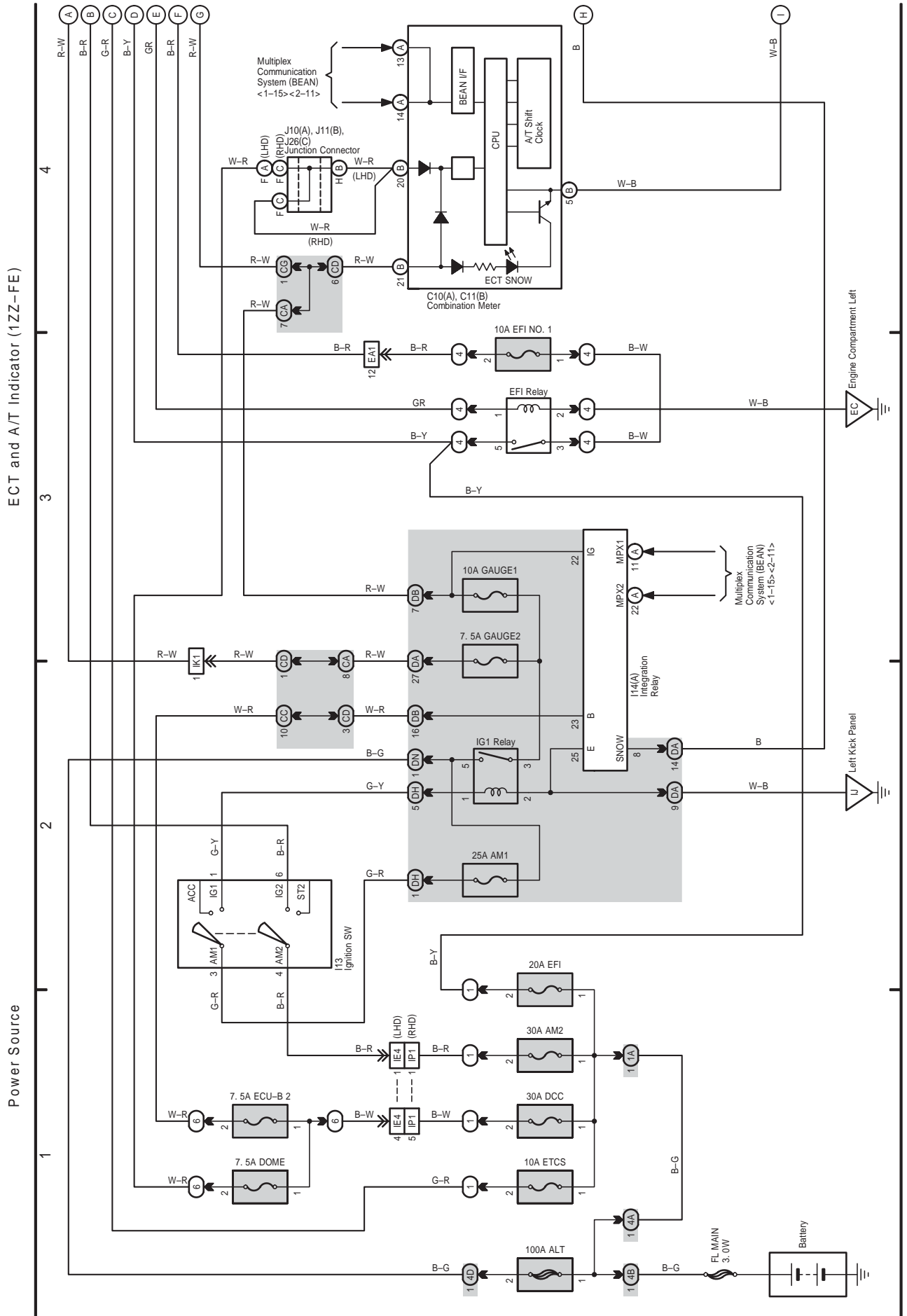
* 2 : Unleaded Gasoline



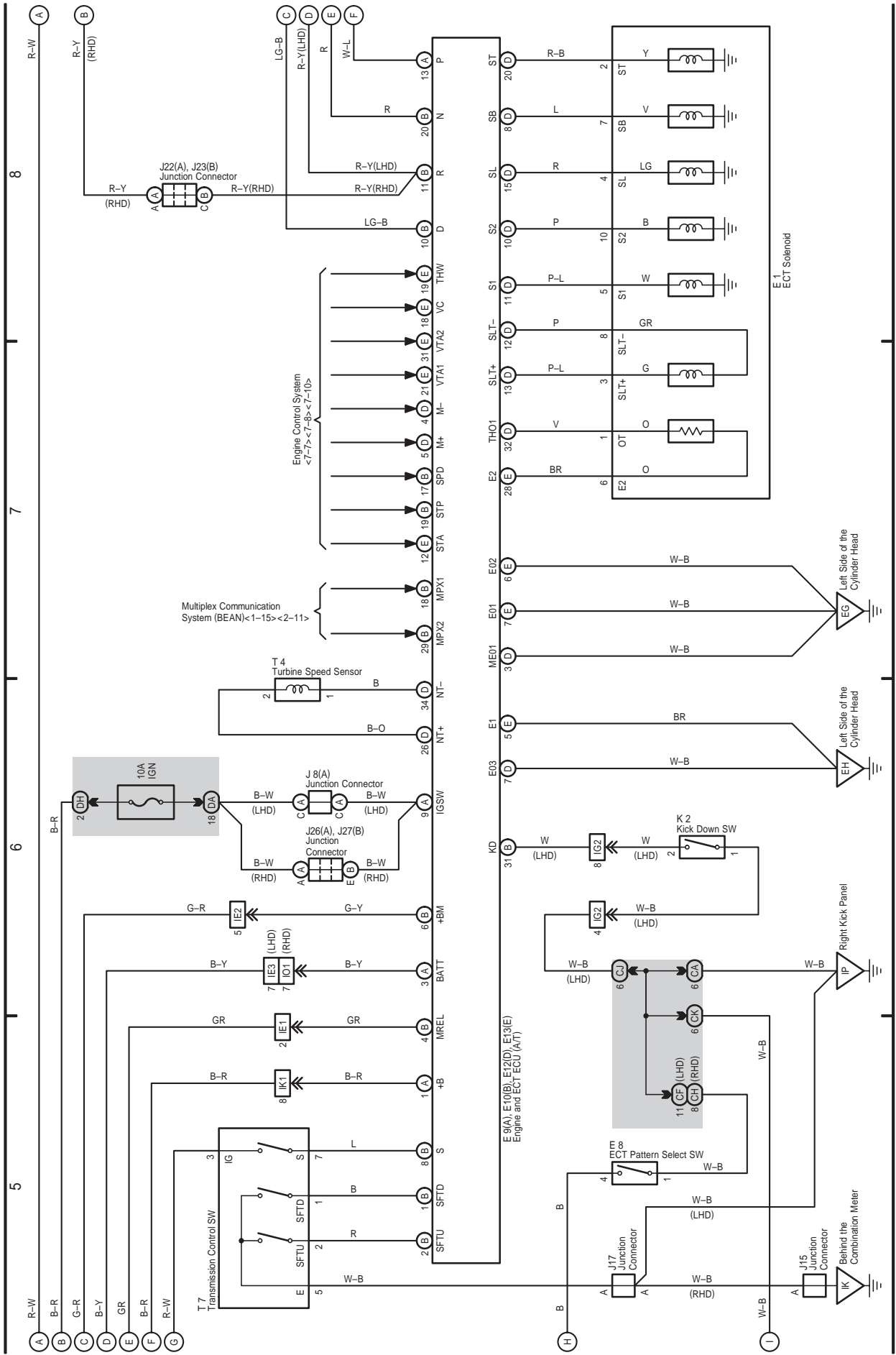
H OVERALL ELECTRICAL WIRING DIAGRAM

12 AVENSIS

(Cont. next page)



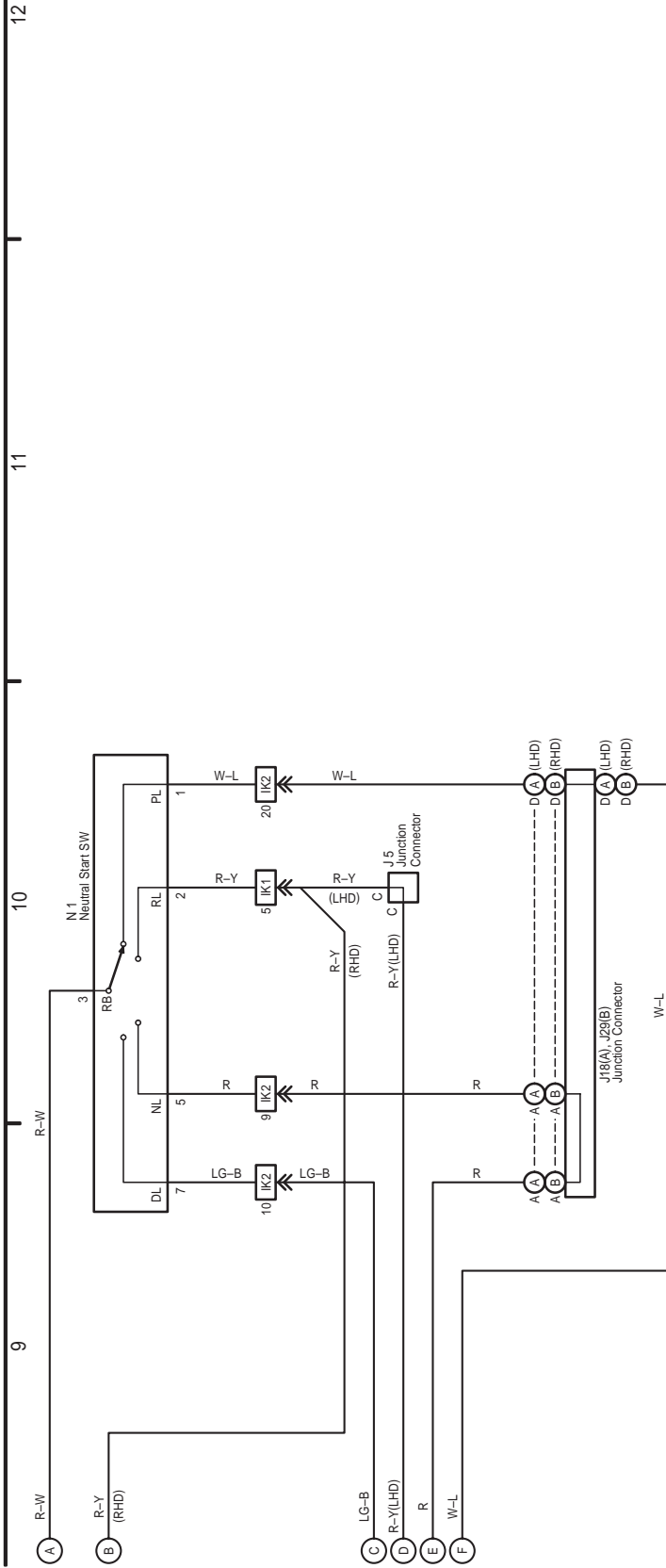
ECT and A/T Indicator (1ZZ-FE)



H OVERALL ELECTRICAL WIRING DIAGRAM

12 AVENSIS (Cont' d)

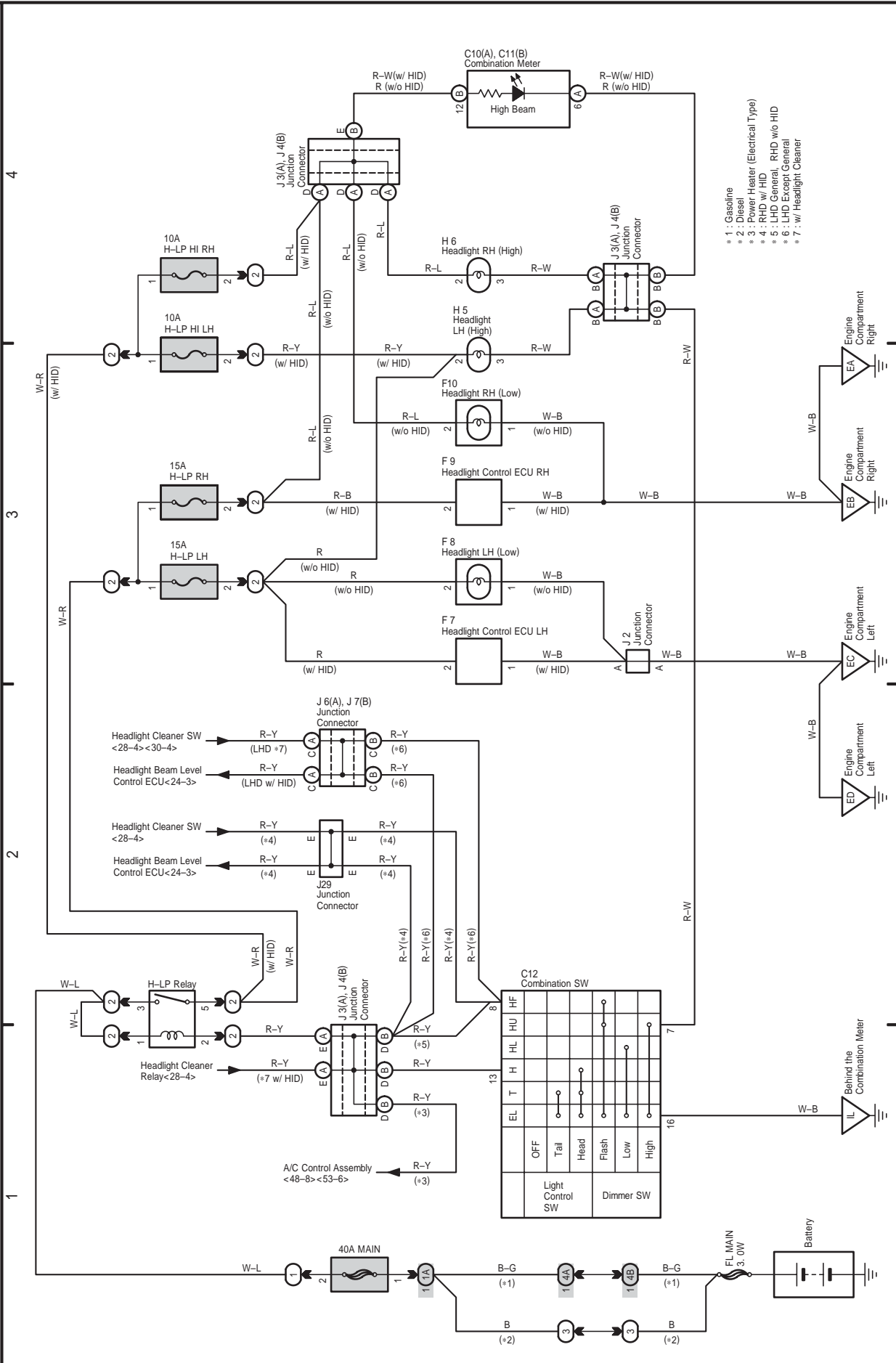
ECT and A/T Indicator (1ZZ-FE)



13 AVENSIS

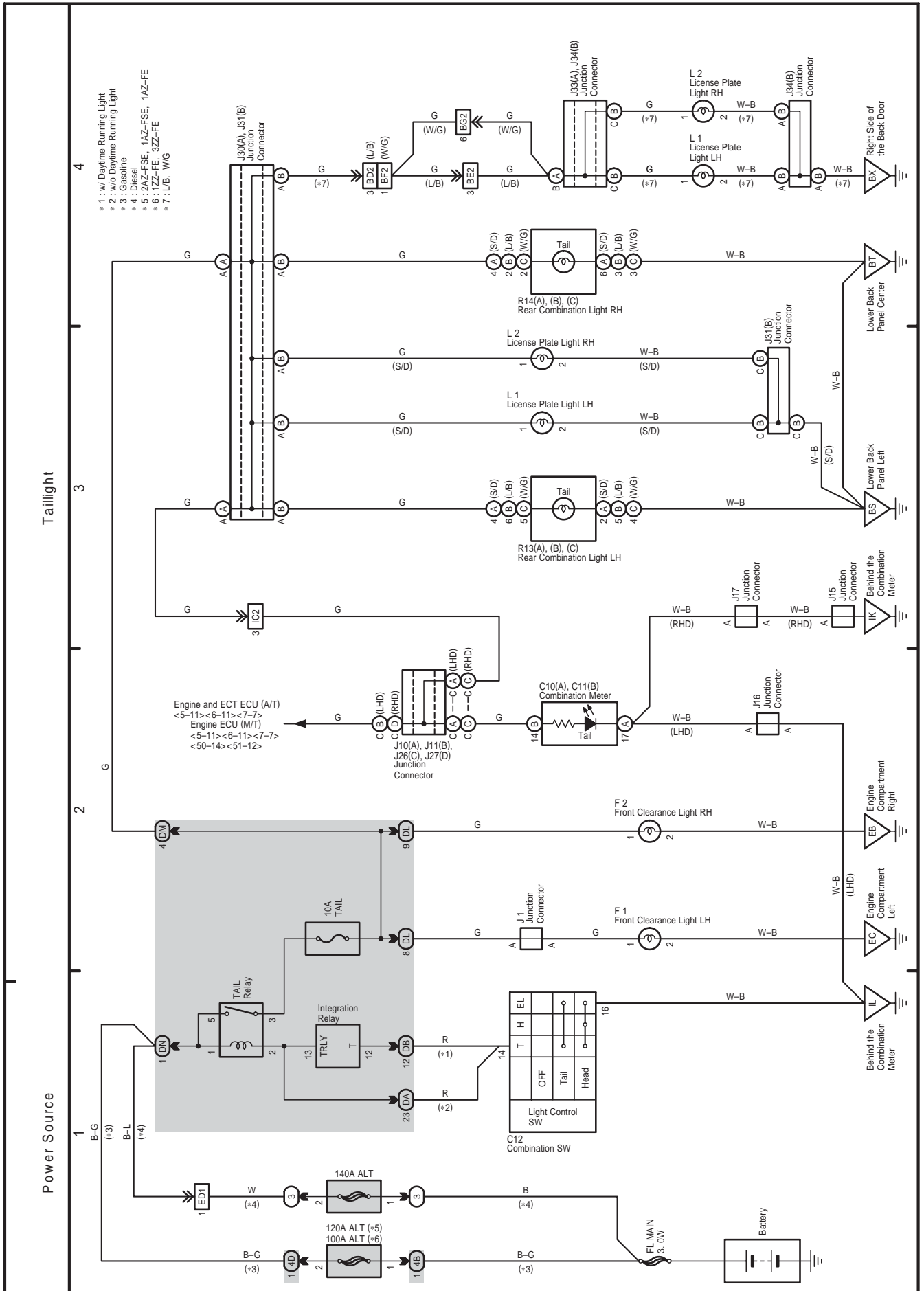
Power Source

Headlight (w/o Daytime Running Light)



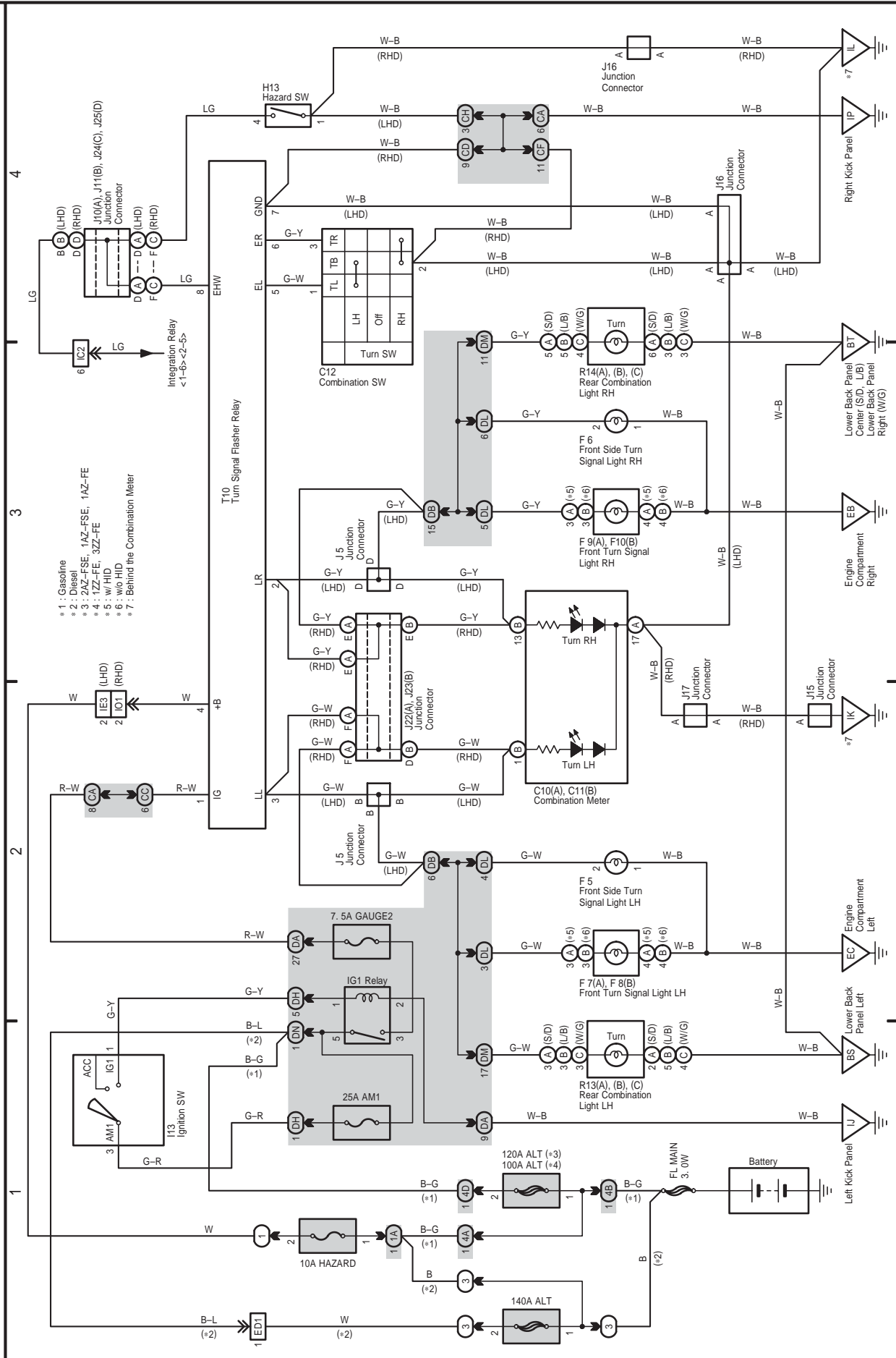
H OVERALL ELECTRICAL WIRING DIAGRAM

14 AVENSIS



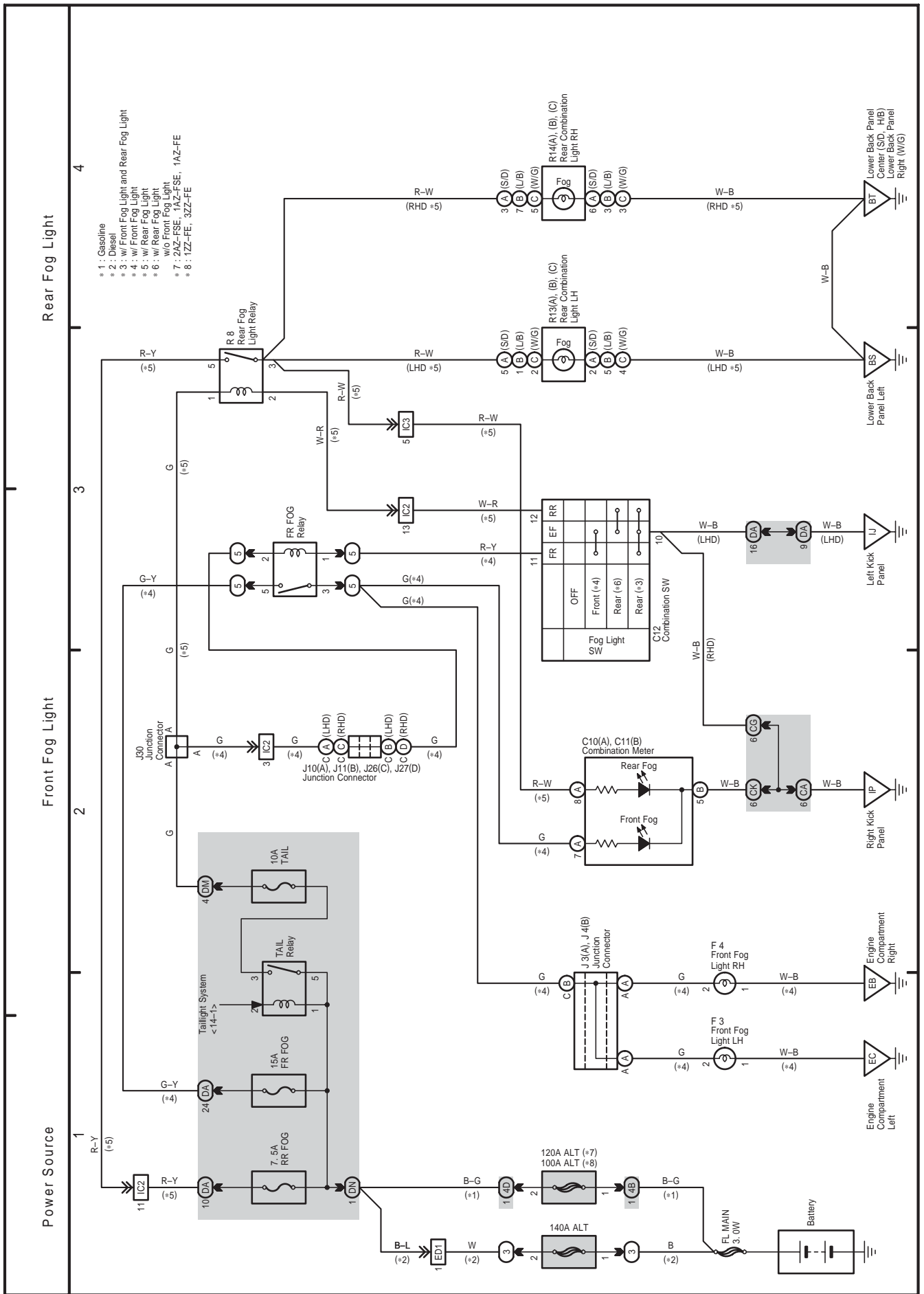
15 AVENSIS

Turn Signal and Hazard Warning Light



H OVERALL ELECTRICAL WIRING DIAGRAM

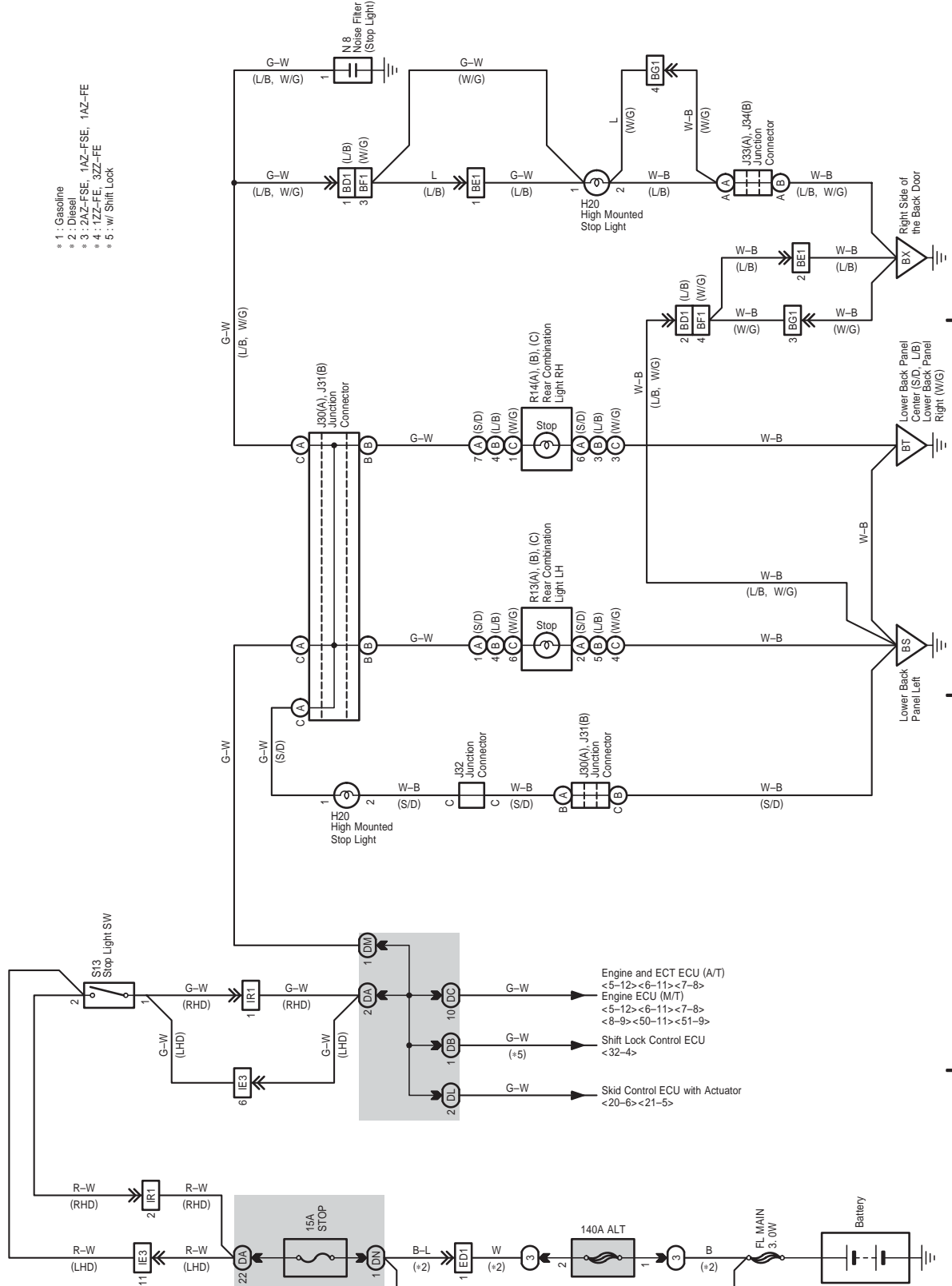
16 AVENSIS



Power Source

Stop Light

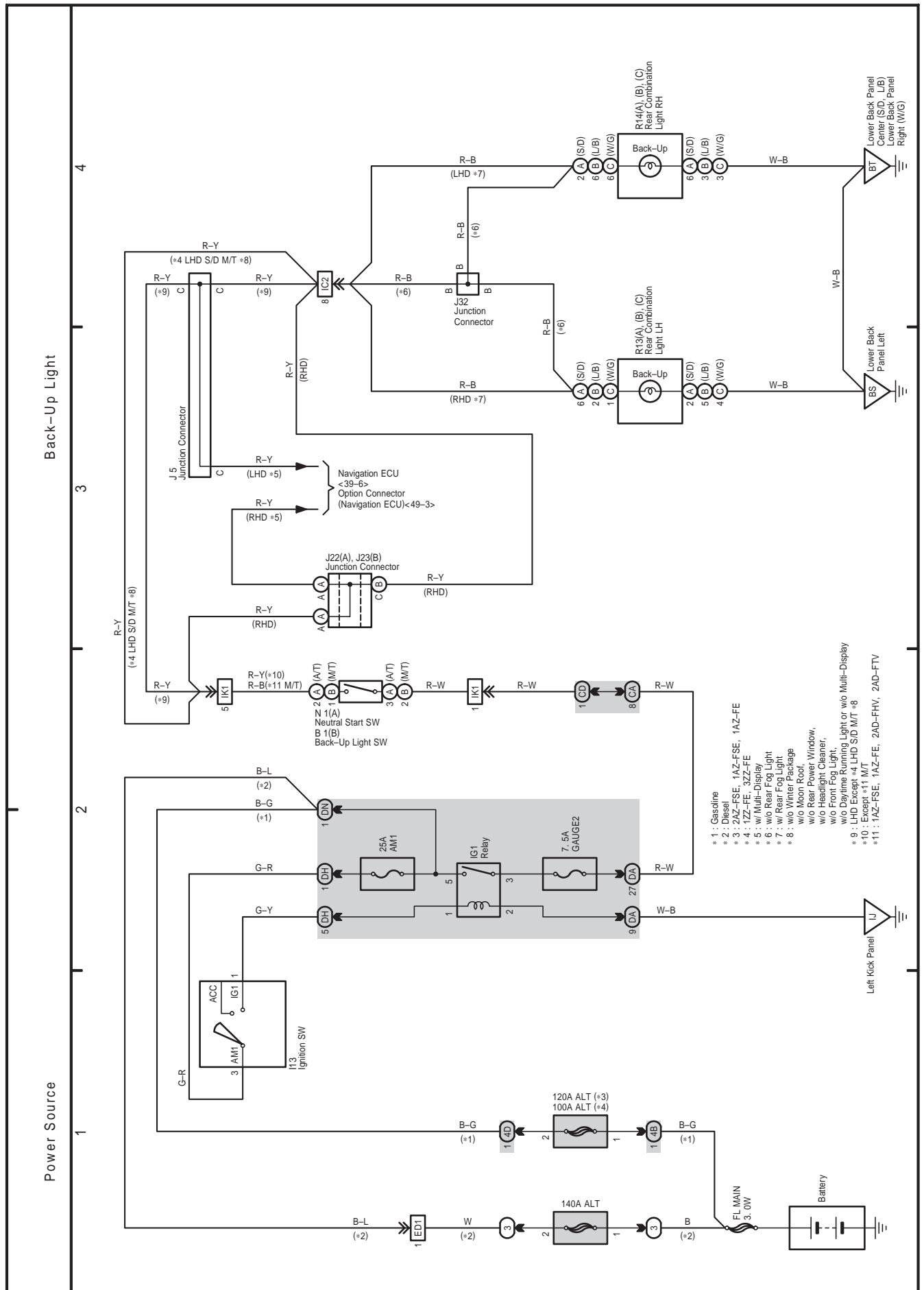
1 2 3 4



- * 1 : Gasoline
- * 2 : Diesel
- * 3 : 2AZ-FSE, 1AZ-FSE, 1AZ-FE
- * 4 : 1ZZ-FE, 3ZZ-FE
- * 5 : w/ Shift Lock

H OVERALL ELECTRICAL WIRING DIAGRAM

18 AVENSIS



H OVERALL ELECTRICAL WIRING DIAGRAM

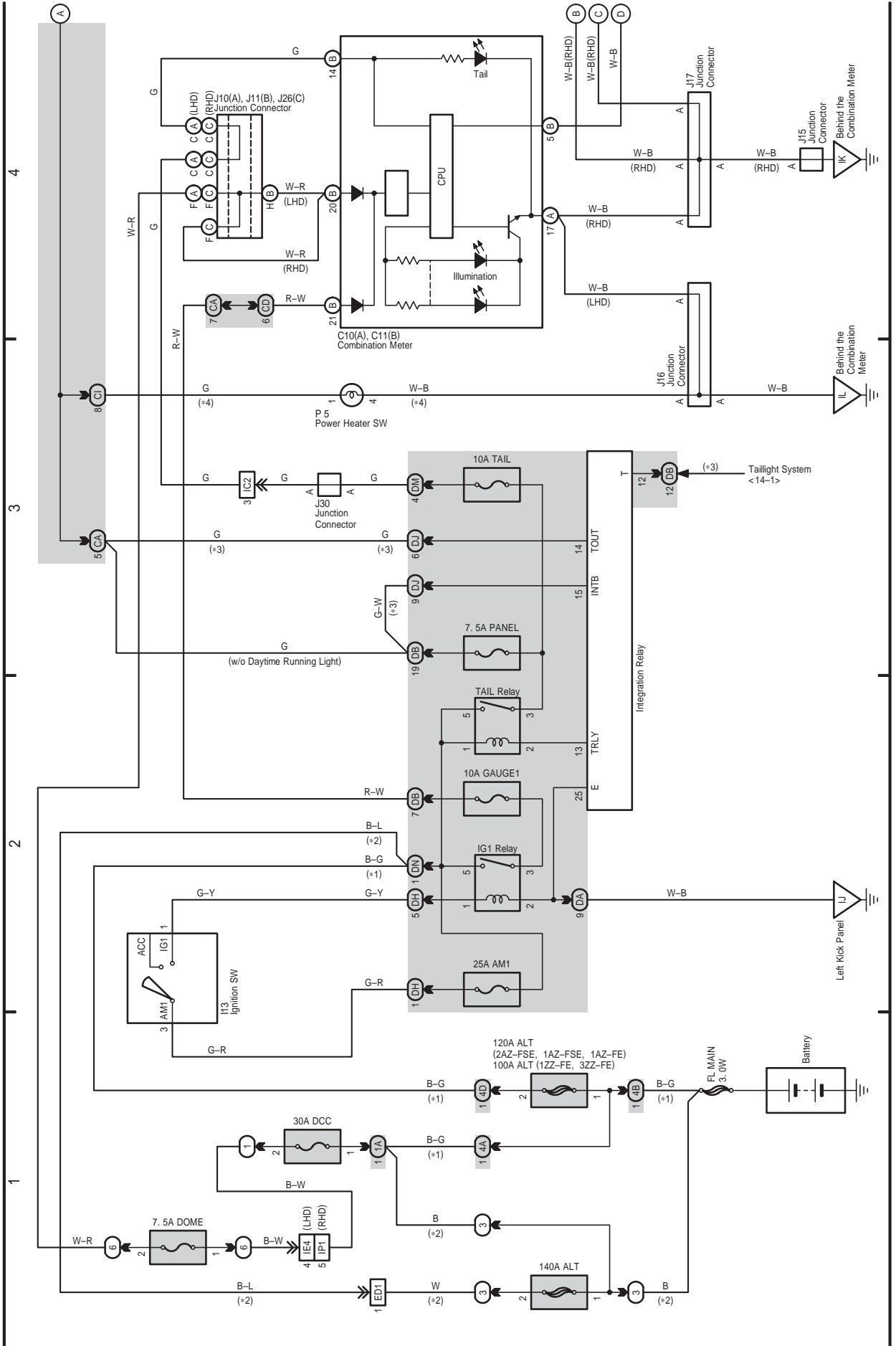
19 AVENSIS

(Cont. next page)

- * 1 : Gasoline
- * 2 : Diesel
- * 3 : w/ Daytime Running Light
- * 4 : Power Heater (Hot Gas Type)

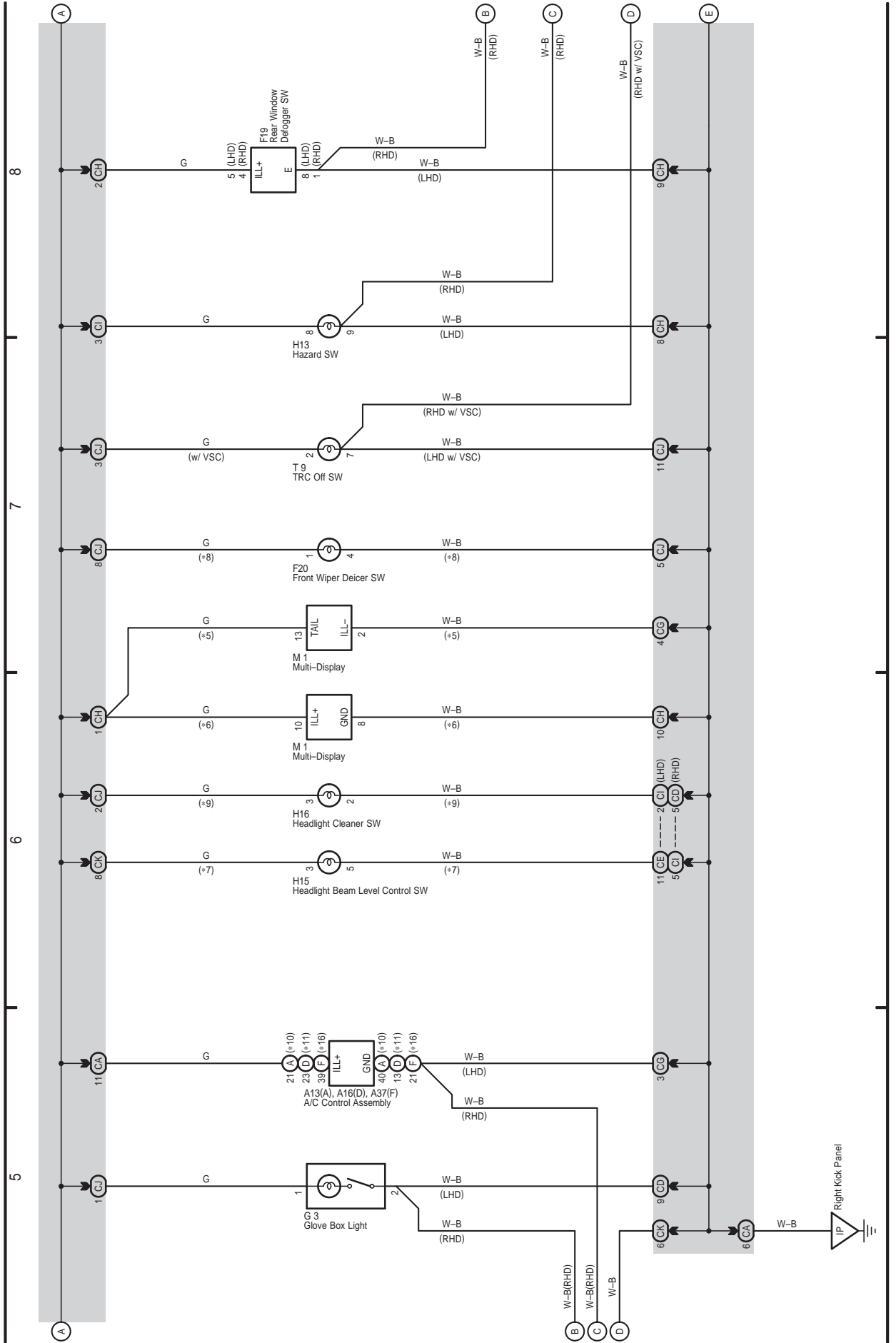
Illumination

Power Source



- * 5 : w/ Navigation System (Map Type)
- * 6 : w/o Navigation System (Map Type)
- * 7 : w/ Headlight Beam Level Control w/o HID
- * 8 : w/ Front Window Deicer
- * 9 : w/ Headlight Cleaner
- * 10 : Manual A/C
- * 11 : Automatic A/C (Except 2AD-FHV, 2AD-FTV)
- * 16 : Automatic A/C (2AD-FHV, 2AD-FTV)

Illumination

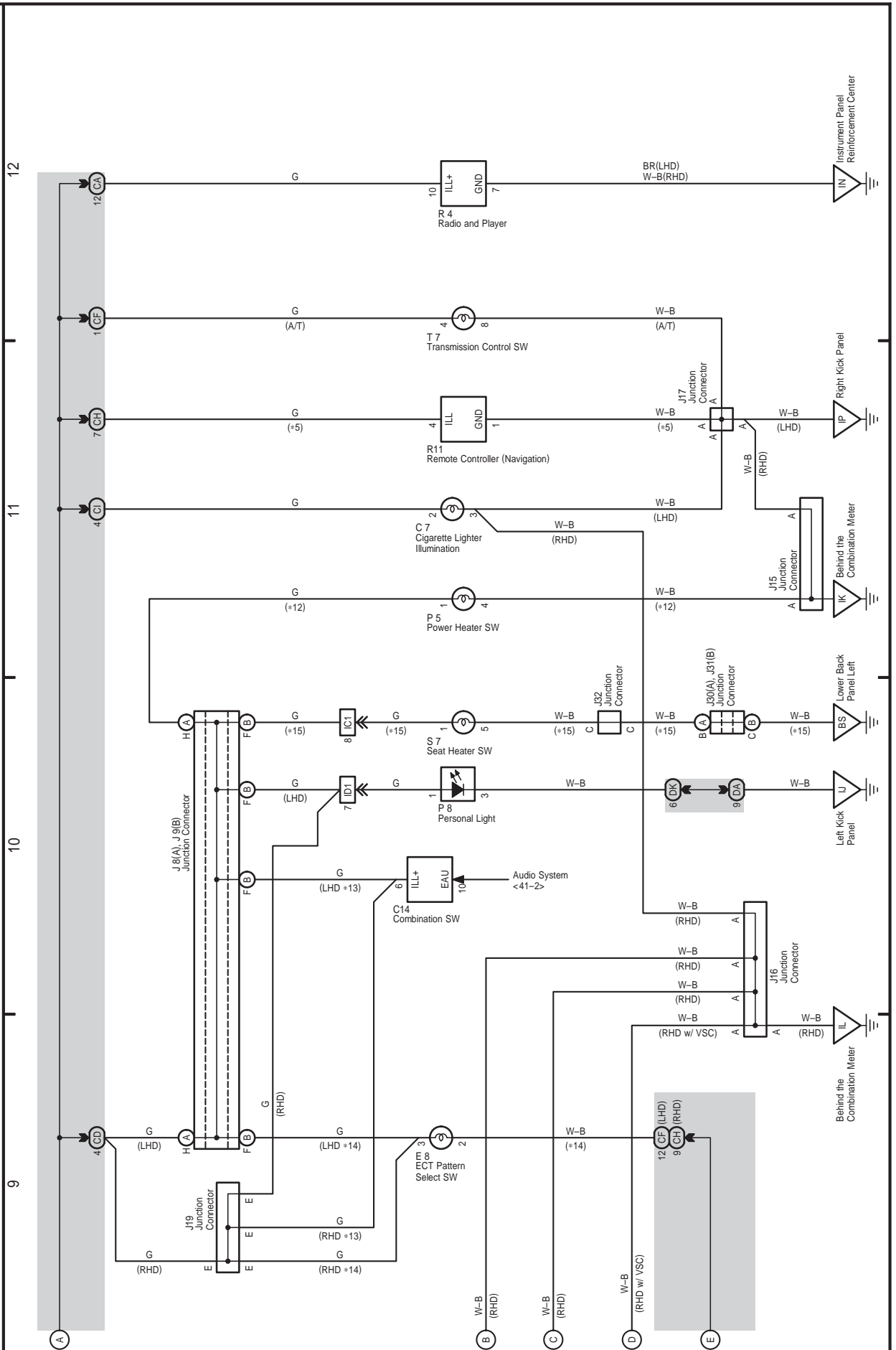


H OVERALL ELECTRICAL WIRING DIAGRAM

19 AVENSIS (Cont' d)

- * 5 : w/ Navigation System (Map Type)
- * 12 : Power Heater (Combustion Type)
- * 13 : w/ Steering SW
- * 14 : A/T Except 1A2-FE
- * 15 : w/ Seat Heater

Illumination



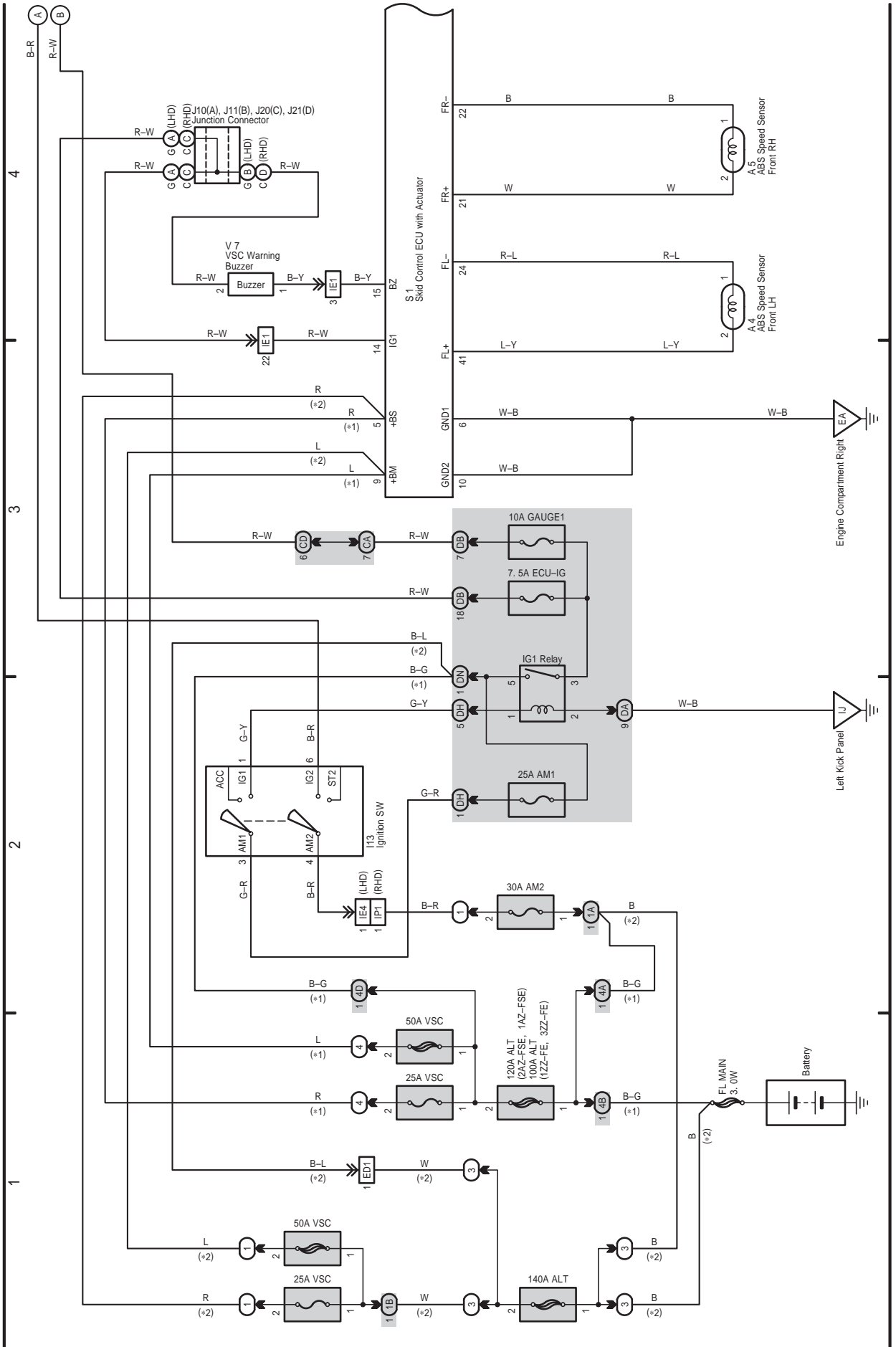
H OVERALL ELECTRICAL WIRING DIAGRAM

20 AVENSIS

(Cont. next page)

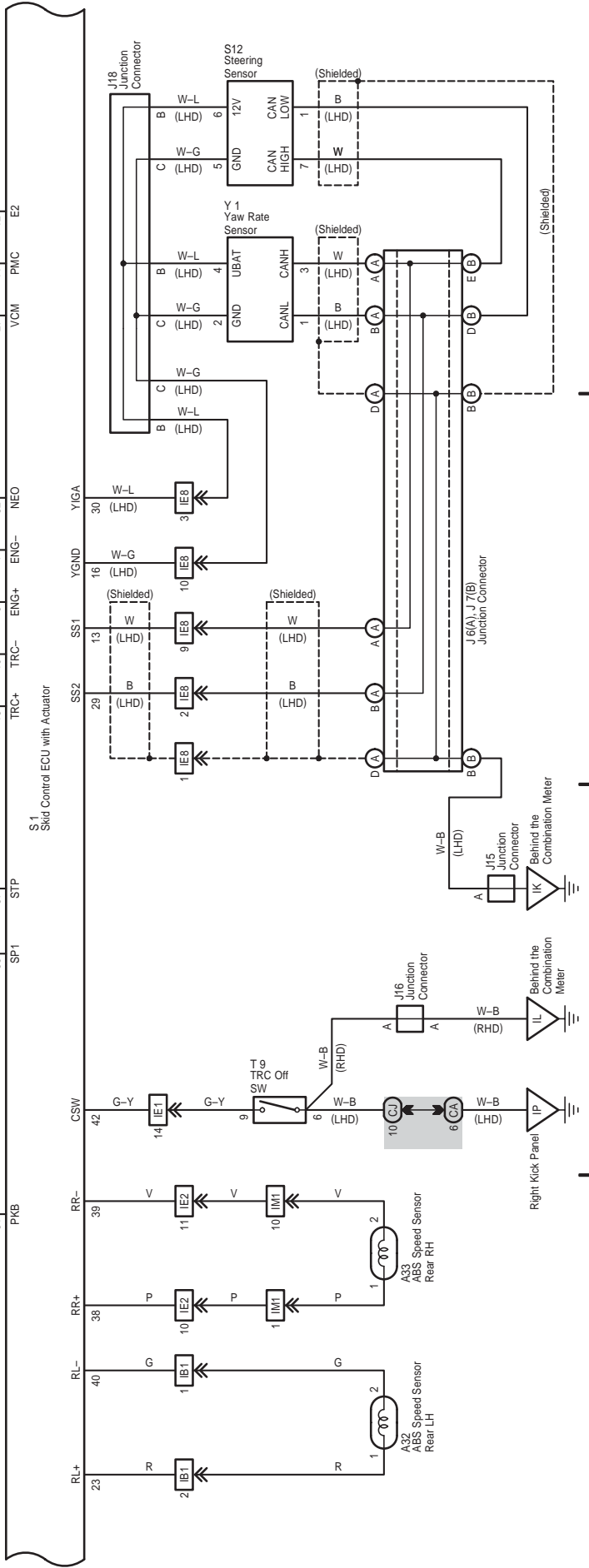
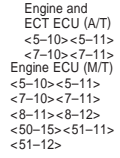
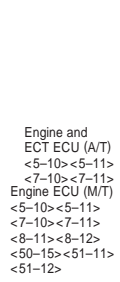
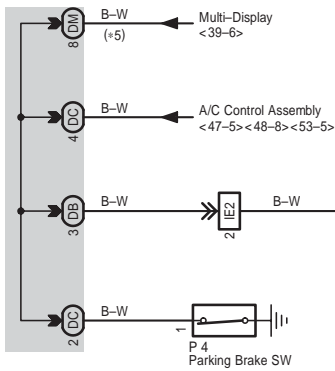
Power Source ABS (w/ VSC) and TRC and VSC

* 1 : Gasoline
* 2 : Diesel



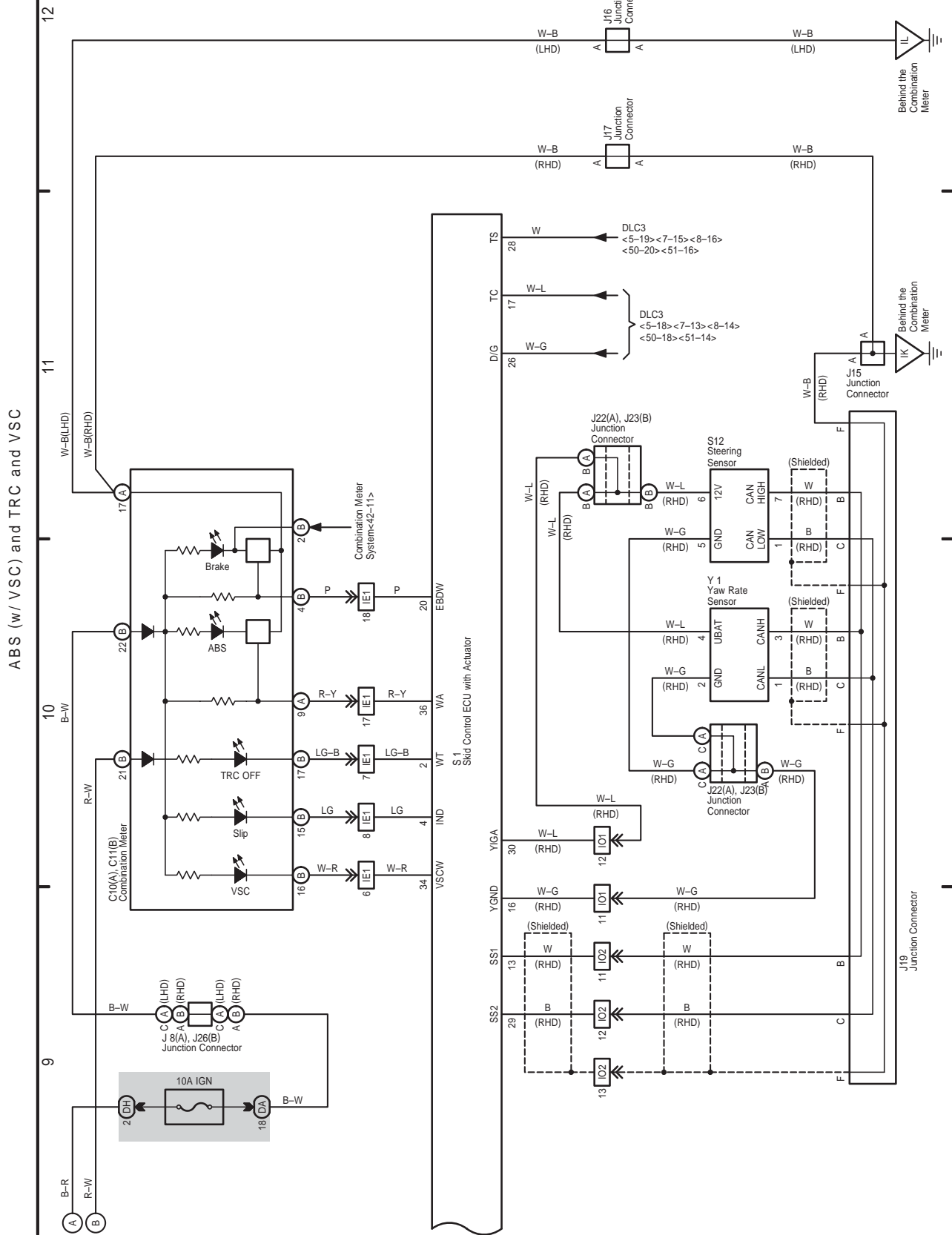
* 3 : LHD, RHD 1CD-FTV, RHD 2AD-FHV, RHD 2AD-FTV
 * 4 : Exepl. 13
 * 5 : w/ Navigation System (Map Type)

ABS (w/ VSC) and TRC and VSC



H OVERALL ELECTRICAL WIRING DIAGRAM

20 AVENSIS (Cont' d)



H OVERALL ELECTRICAL WIRING DIAGRAM

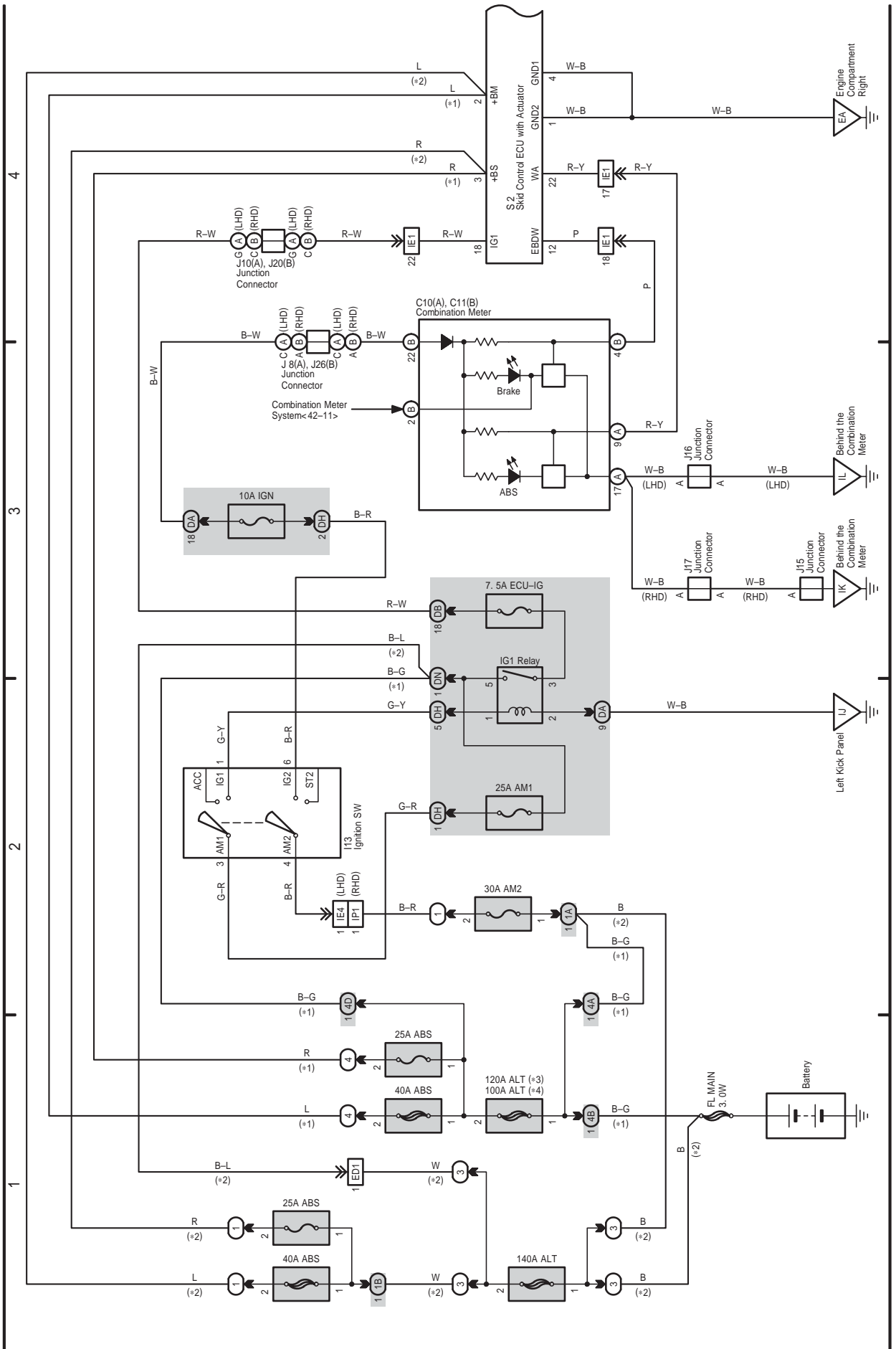
21 AVENSIS

(Cont. next page)

- * 1 : Gasoline
- * 2 : TCD-FTV
- * 3 : 1AZ-FE
- * 4 : 3ZZ-FE

ABS (w/o VSC)

Power Source



21 AVENSIS (Cont' d)

ABS (w/o VSC)

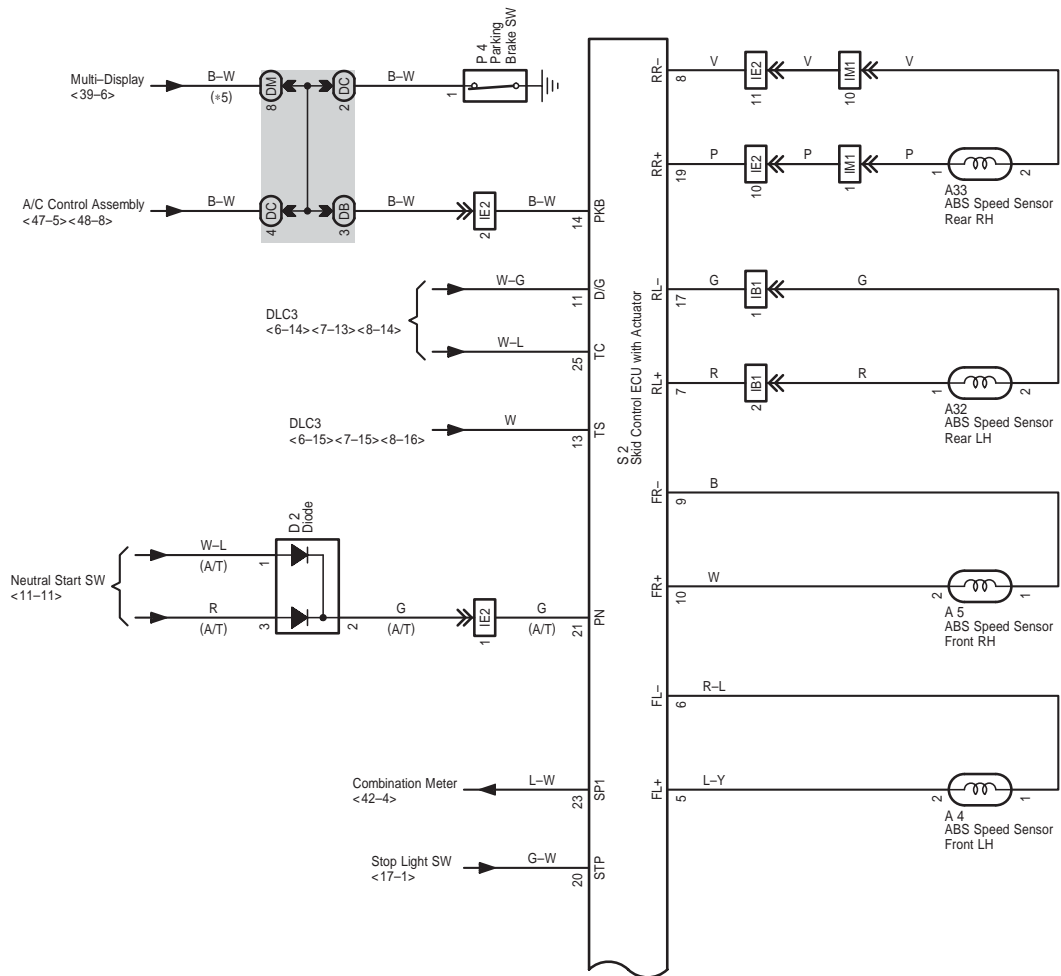
* 5 : Navigation System (Map Type)

8

7

6

5



H OVERALL ELECTRICAL WIRING DIAGRAM

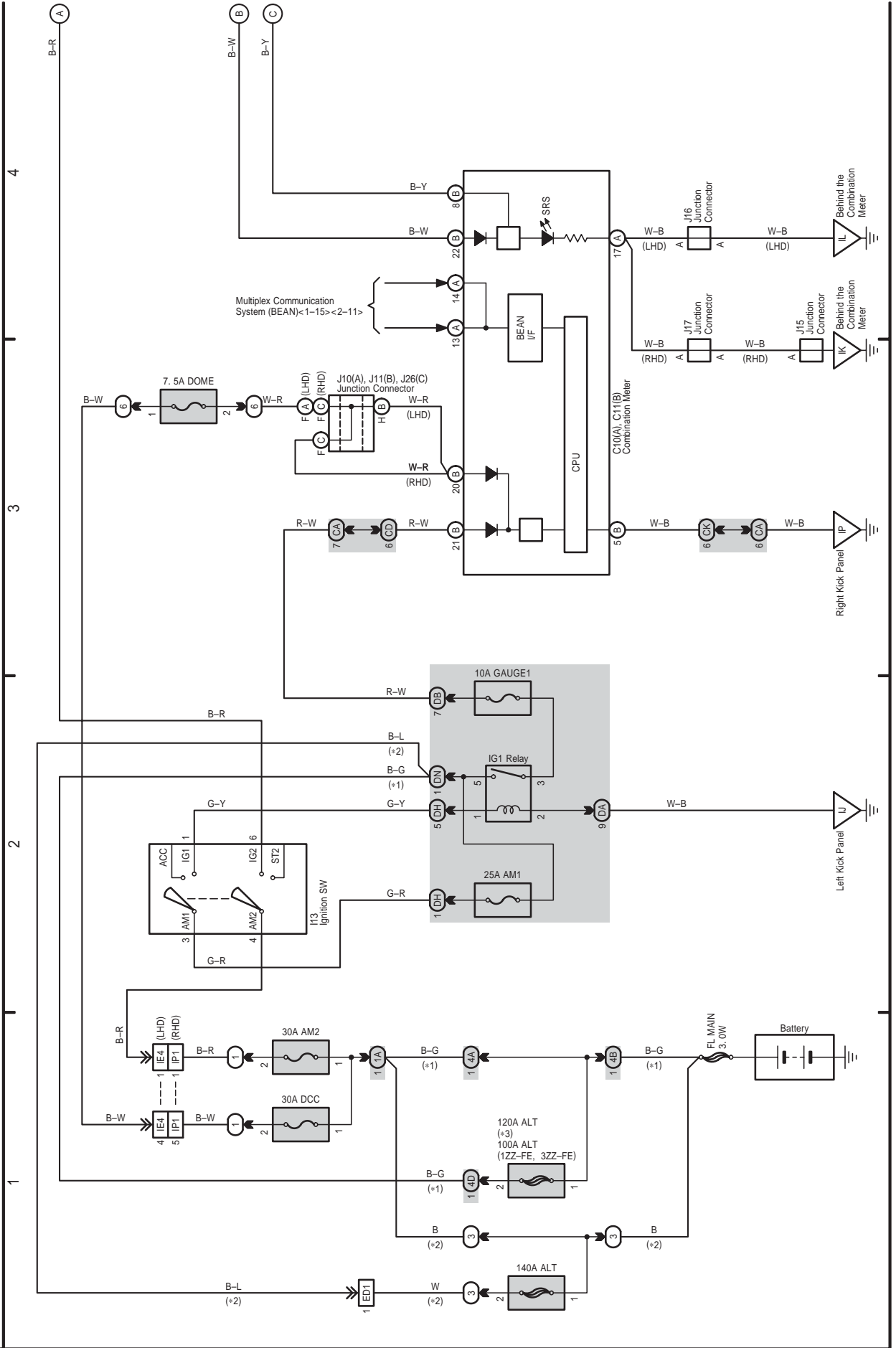
22 AVENSIS

(Cont. next page)

- * 1 : Gasoline
- * 2 : Diesel
- * 3 : 2AZ-FSE, 1AZ-FSE, 1AZ-FE

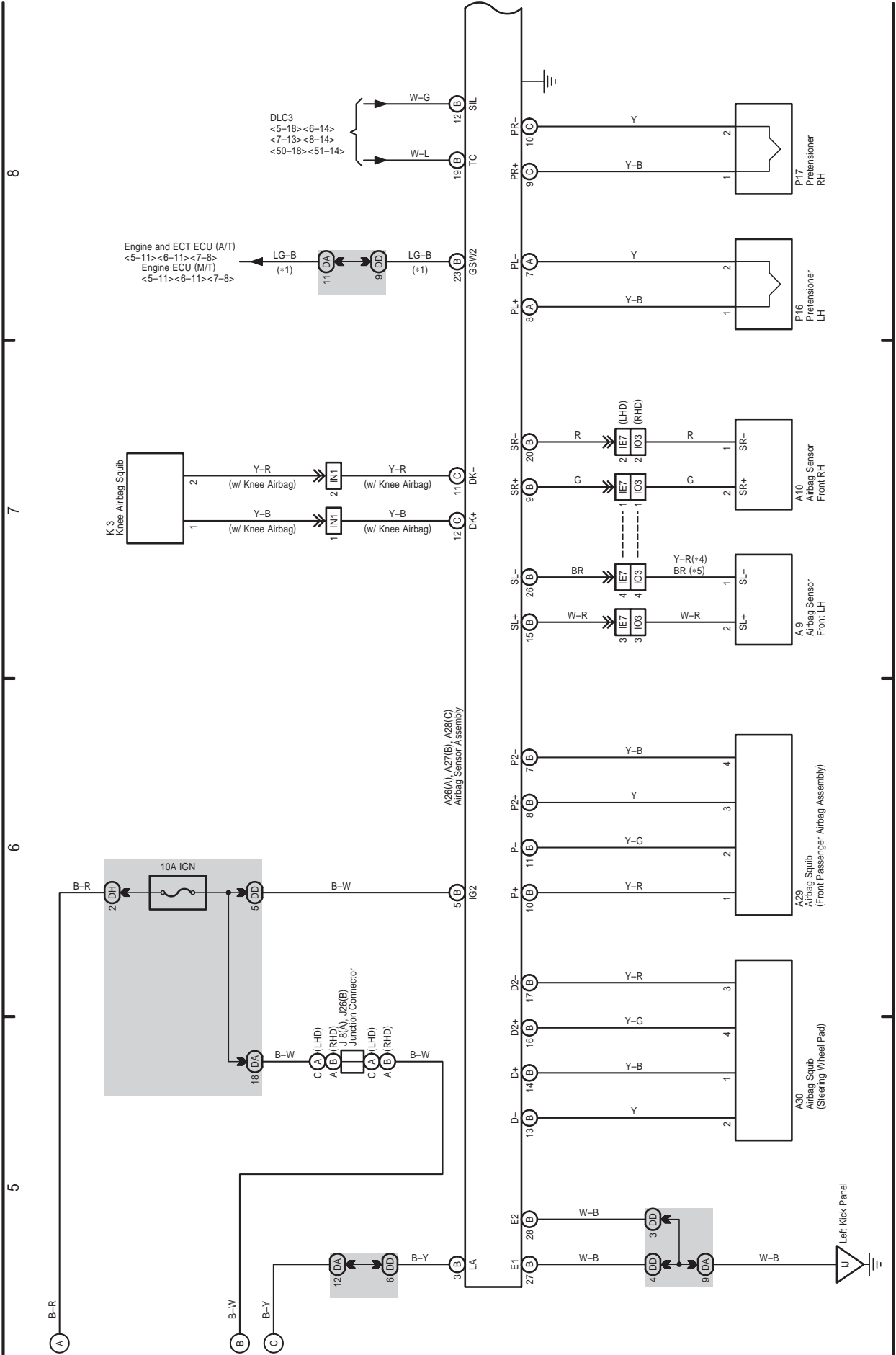
SRS

Power Source



* 1 : Gasoline
 * 4 : LHD Diesel
 * 5 : Except LHD Diesel

SRS

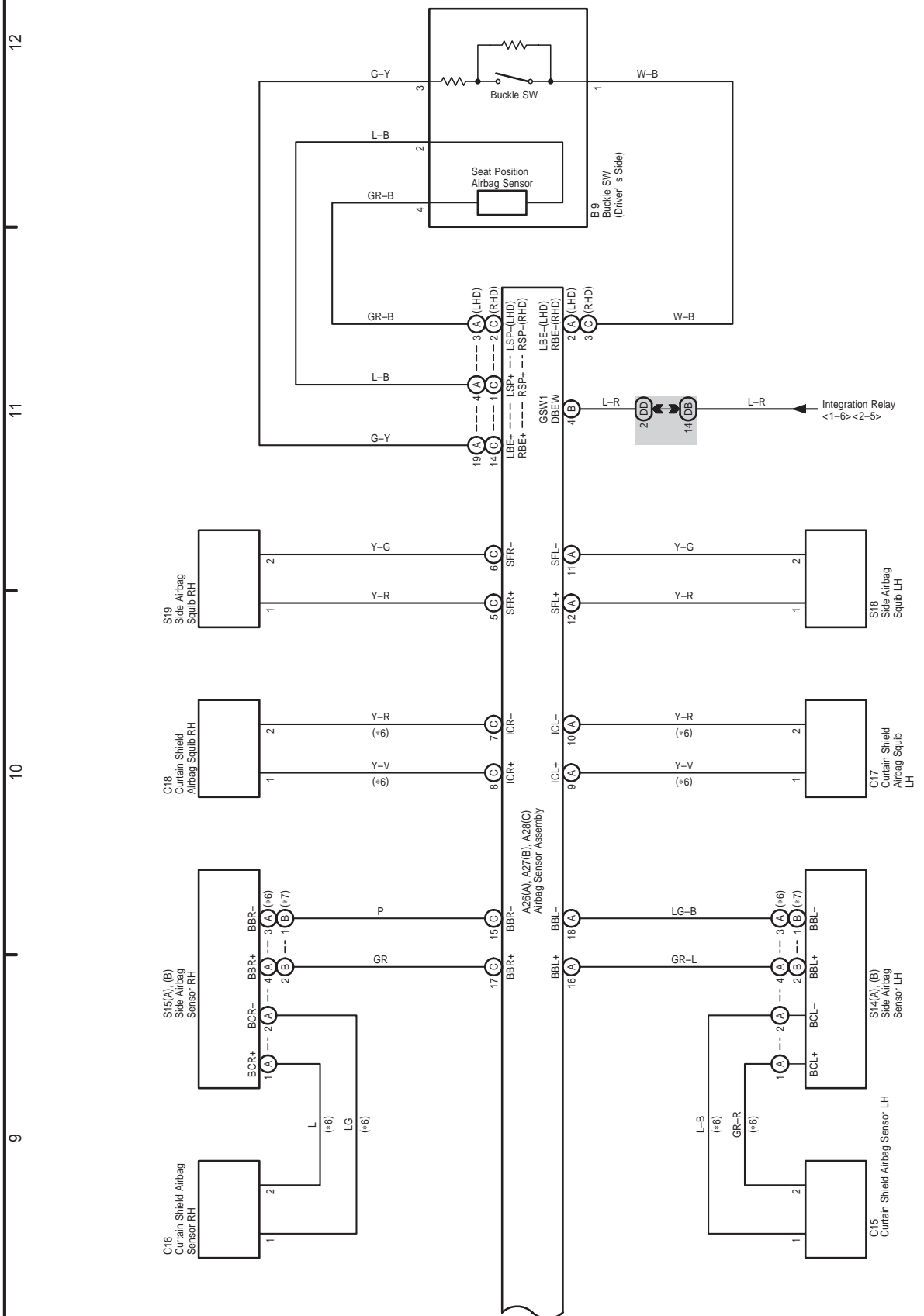


H OVERALL ELECTRICAL WIRING DIAGRAM

22 AVENSIS (Cont' d)

* 6 : w/ Curtain Shield Airbag
 * 7 : w/o Curtain Shield Airbag

SRS



Power Source

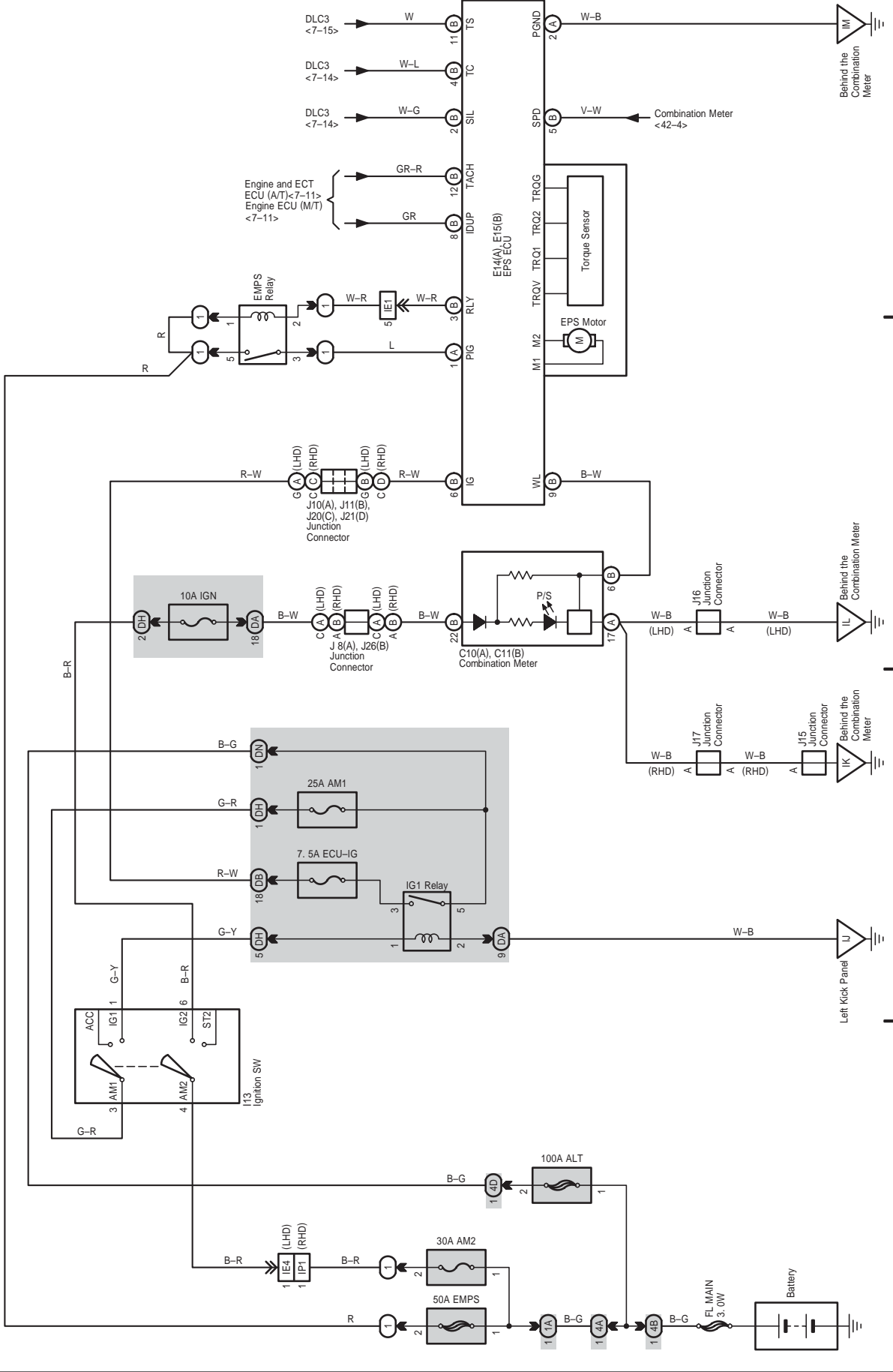
EPS

4

3

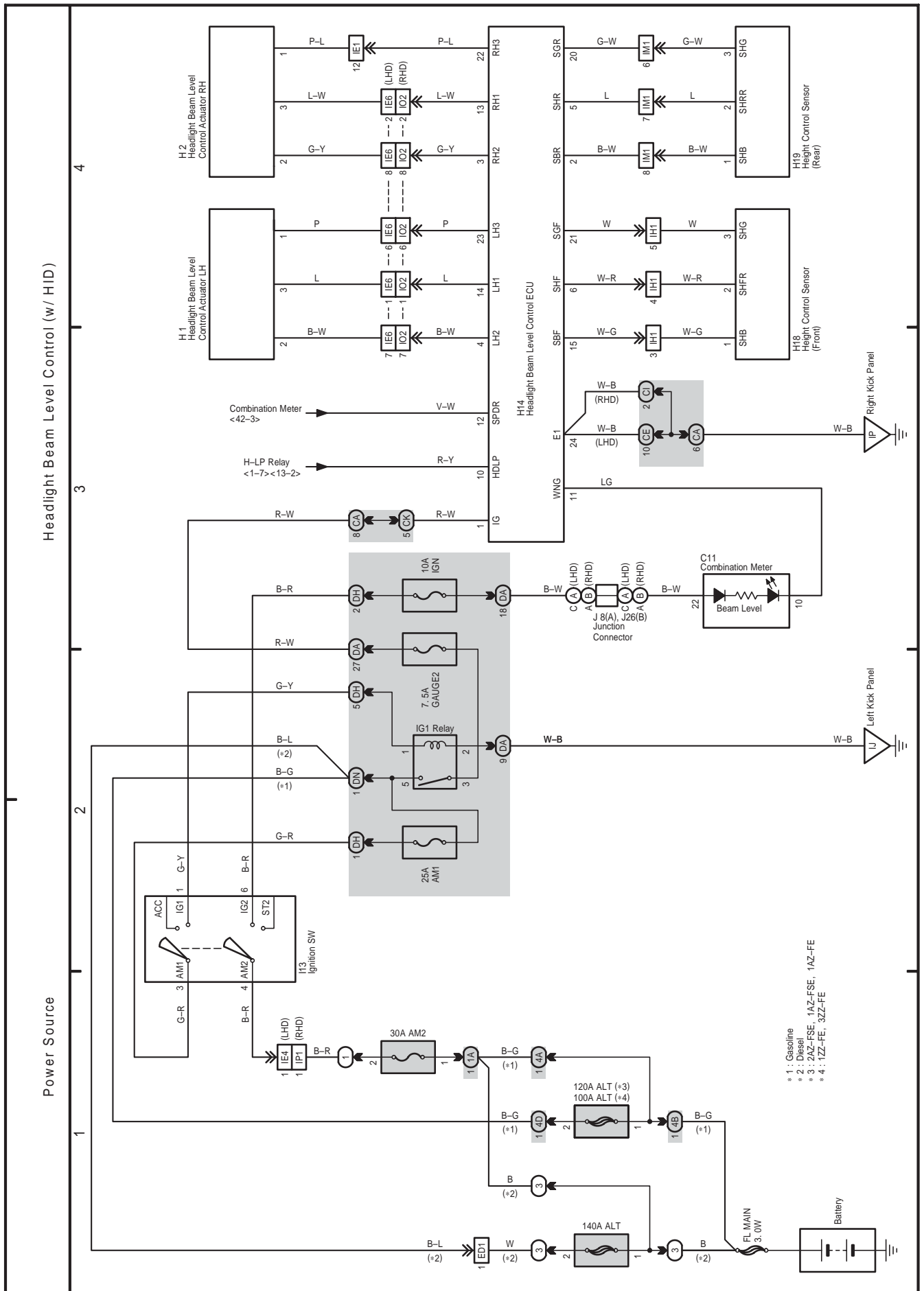
2

1



H OVERALL ELECTRICAL WIRING DIAGRAM

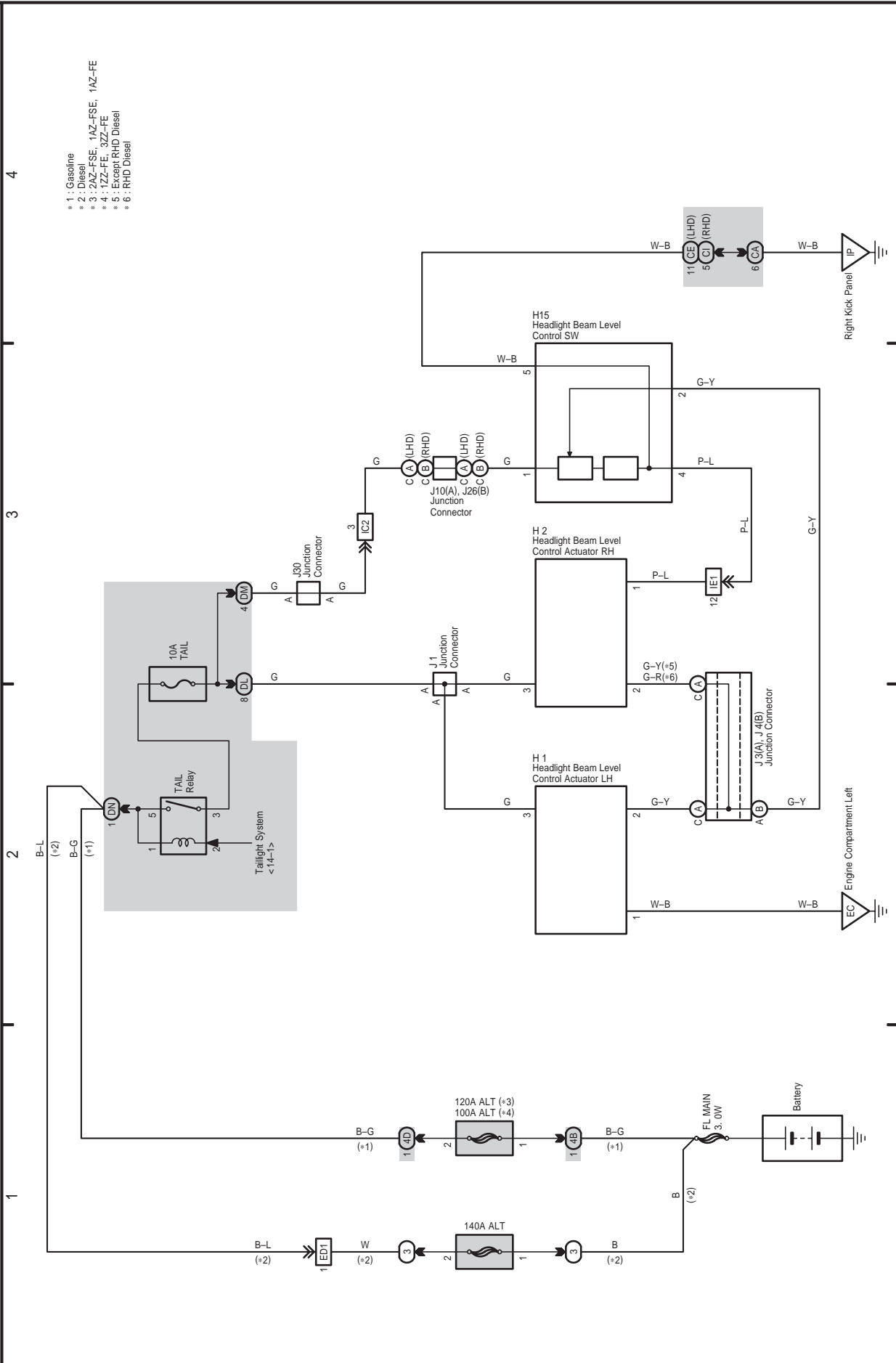
24 AVENSIS



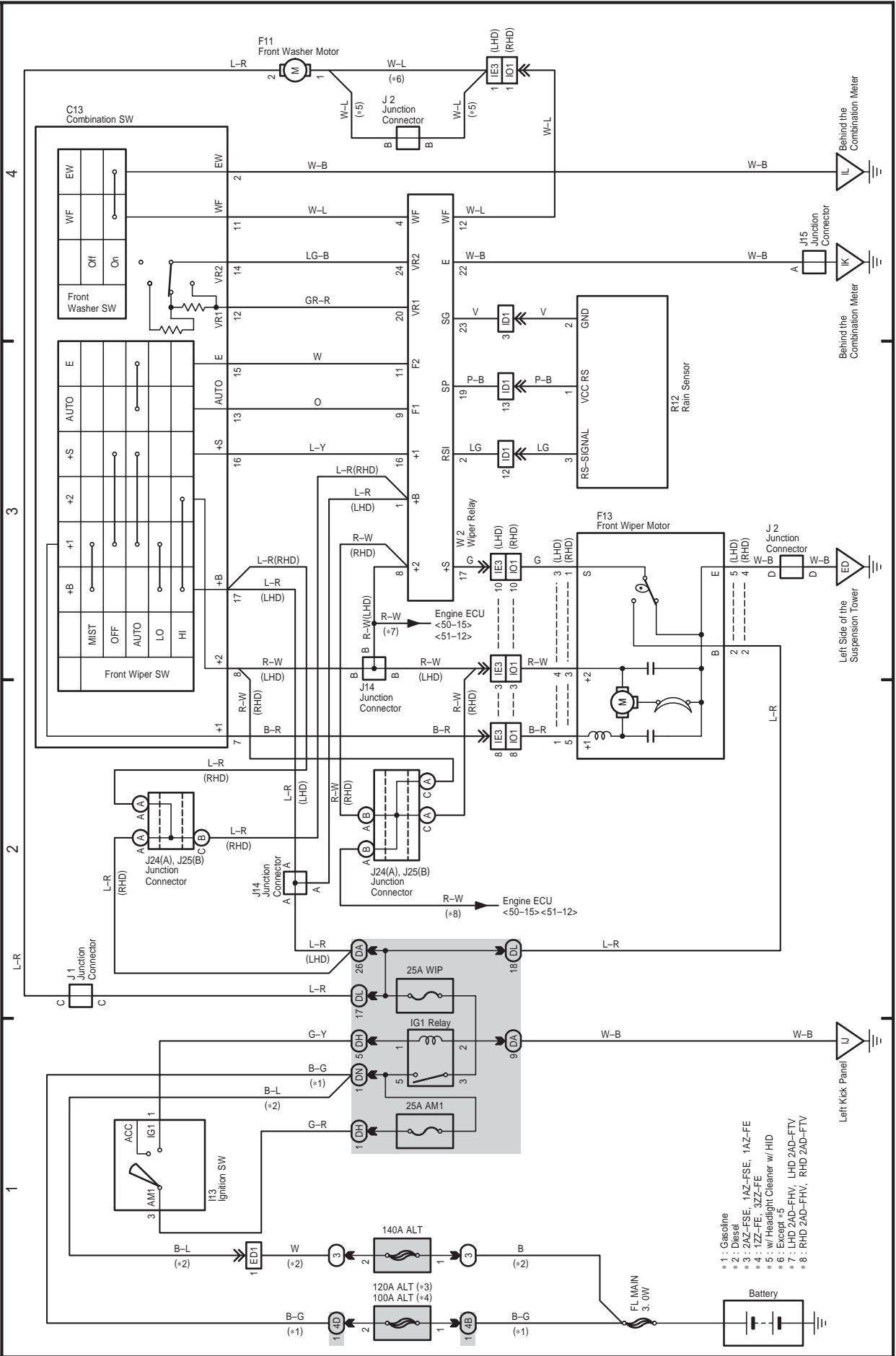
25 AVENSIS

Headlight Beam Level Control (w/o HID)

- * 1 : Gasoline
- * 2 : Diesel
- * 3 : 2AZ-FSE, 1AZ-FSE, 1AZ-FE
- * 4 : 1Z2-FE, 3ZZ-FE
- * 5 : Except RHD Diesel
- * 6 : RHD Diesel



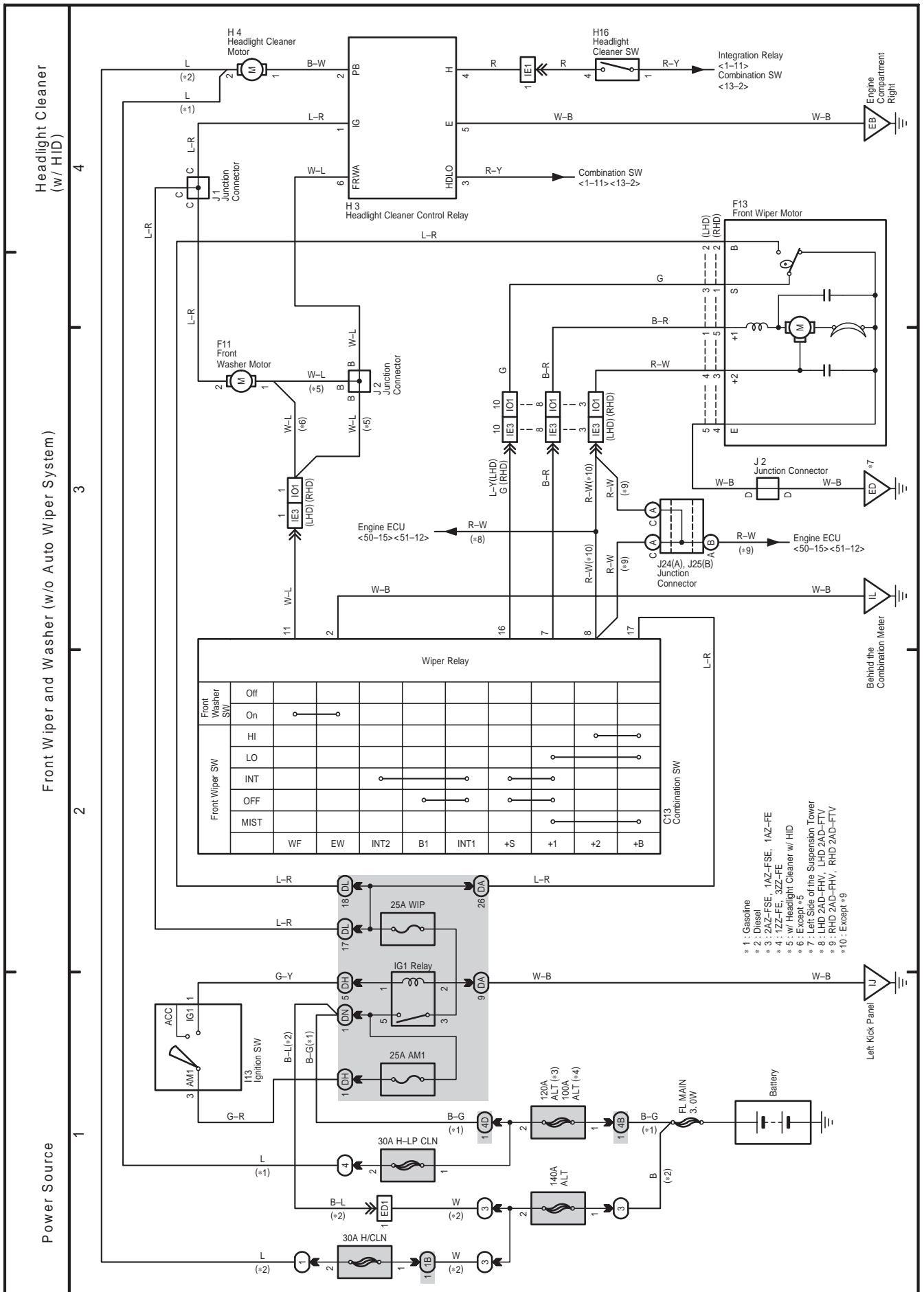
Front Wiper and Washer (w/ Auto Wiper System)



- * 1 : Gasoline
- * 2 : Diesel
- * 3 : 2AZ-FSE, 1AZ-FSE, 1AZ-FE
- * 4 : 17Z-FE, 3ZZ-FE
- * 5 : w/ Headlight Cleaner w/ HID
- * 6 : Except 45
- * 7 : LHD 2AD-FHV, LHD 2AD-FTV
- * 8 : RHD 2AD-FHV, RHD 2AD-FTV

H OVERALL ELECTRICAL WIRING DIAGRAM

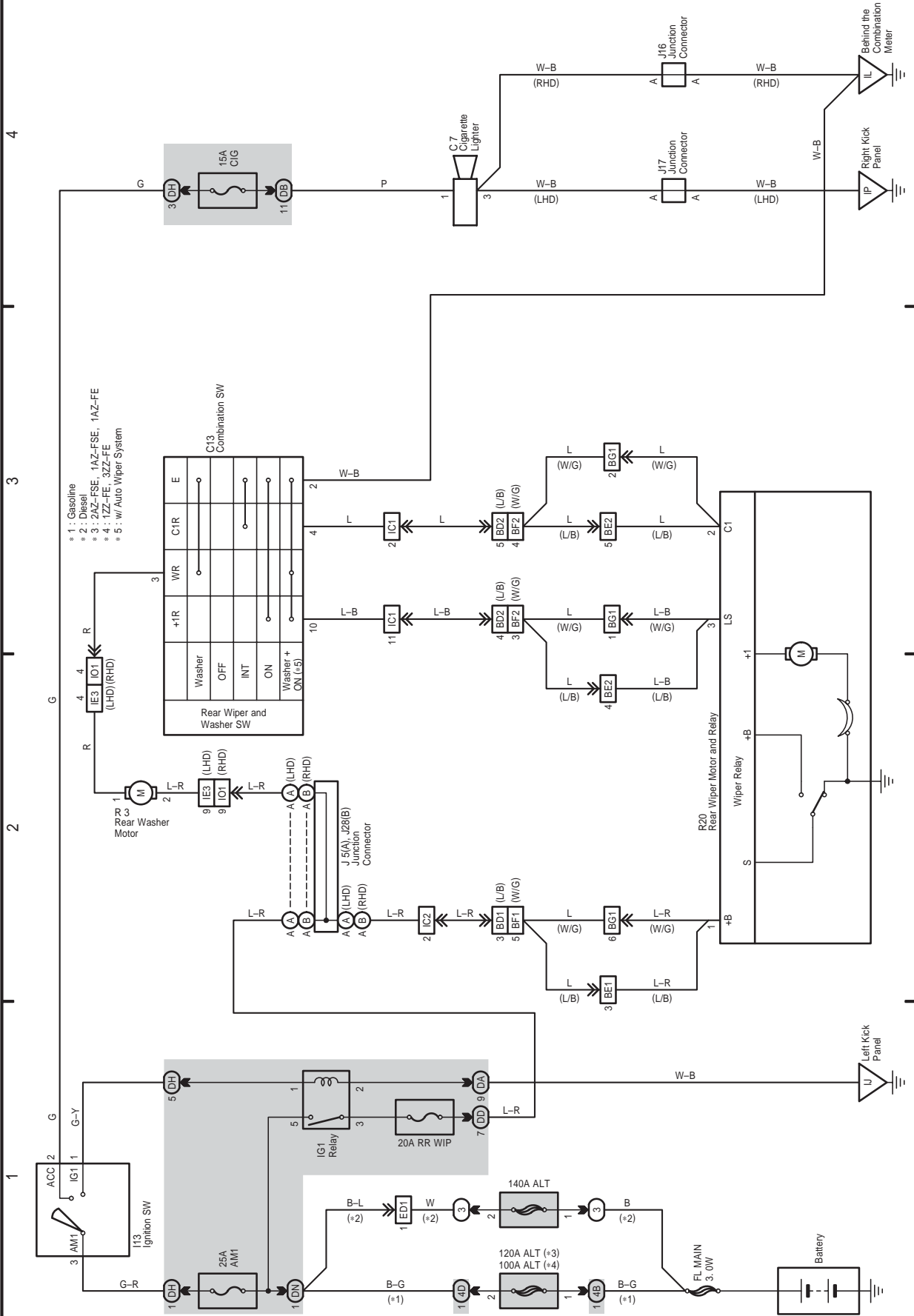
28 AVENSIS



Power Source

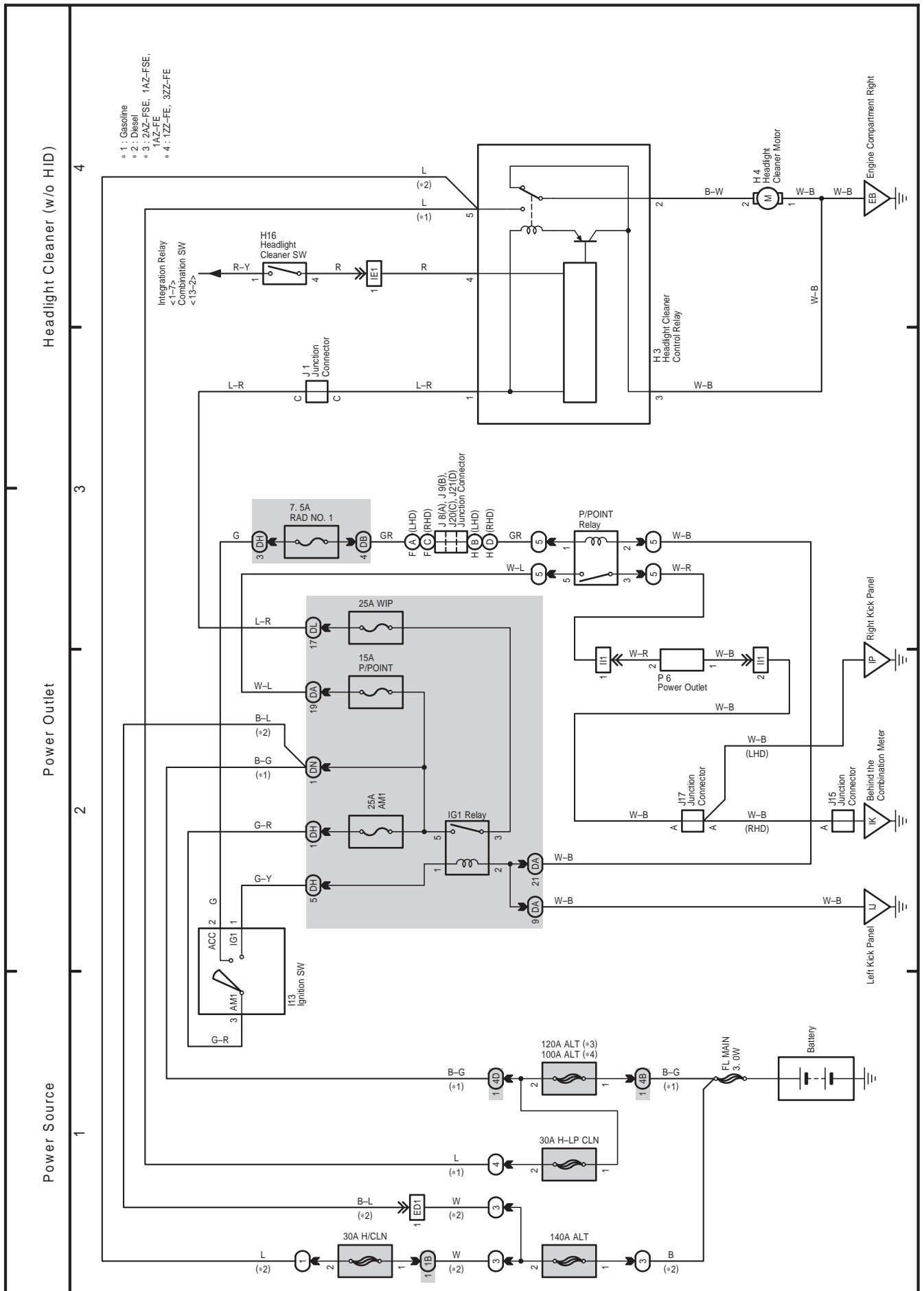
Rear Wiper and Washer

Cigarette Lighter



H OVERALL ELECTRICAL WIRING DIAGRAM

30 AVENSIS



Power Source

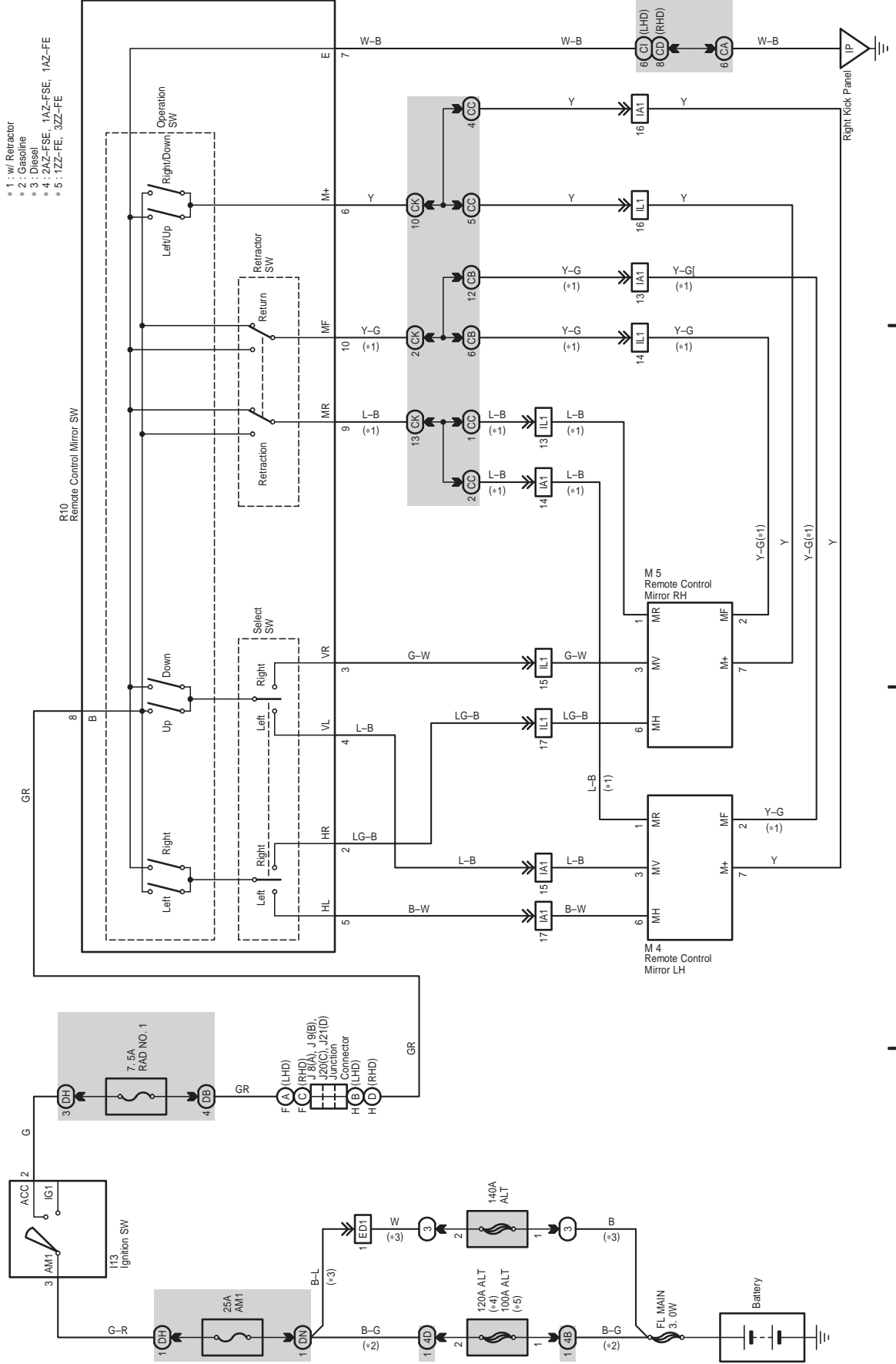
Remote Control Mirror

4

3

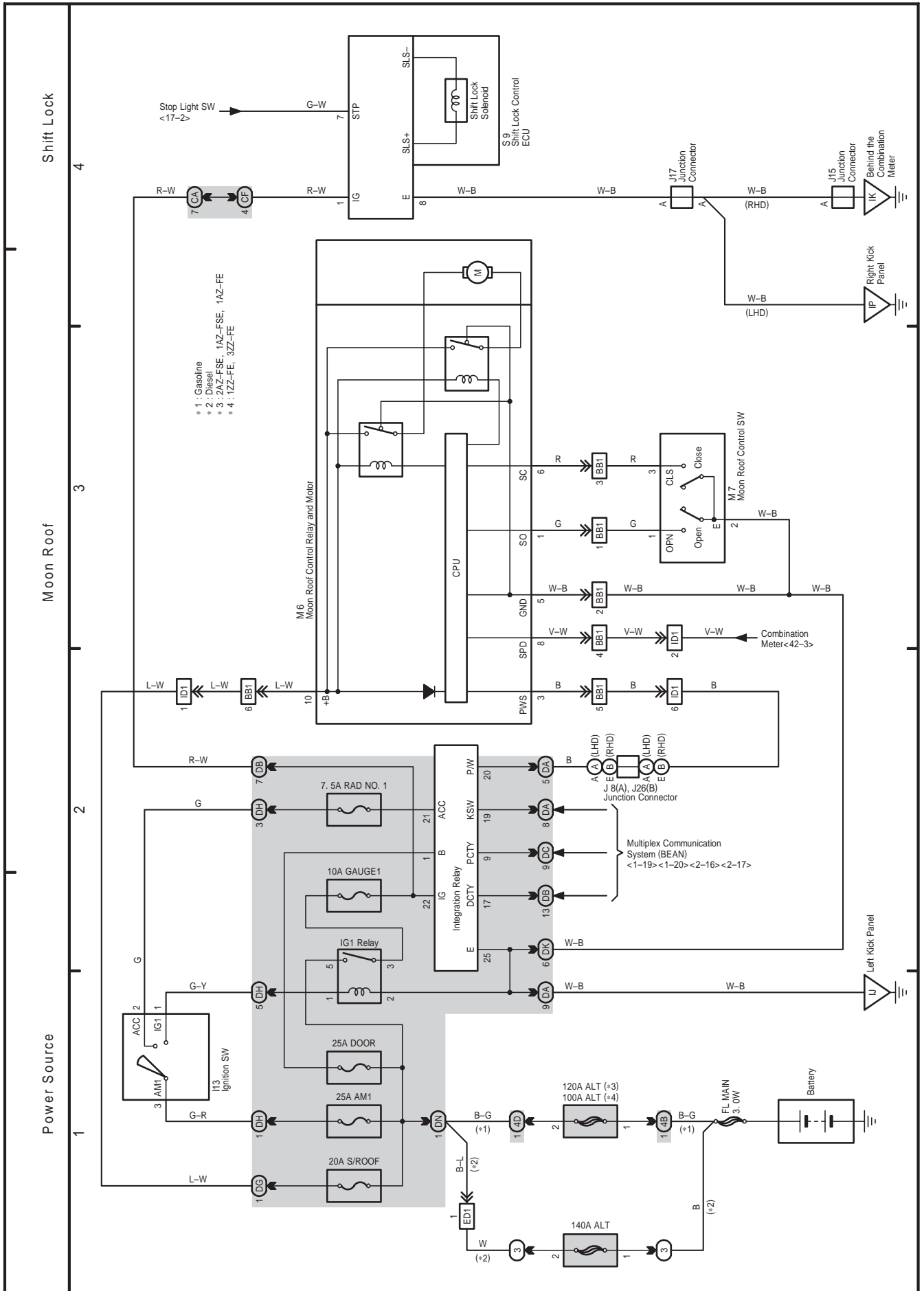
2

1



H OVERALL ELECTRICAL WIRING DIAGRAM

32 AVENSIS



H OVERALL ELECTRICAL WIRING DIAGRAM

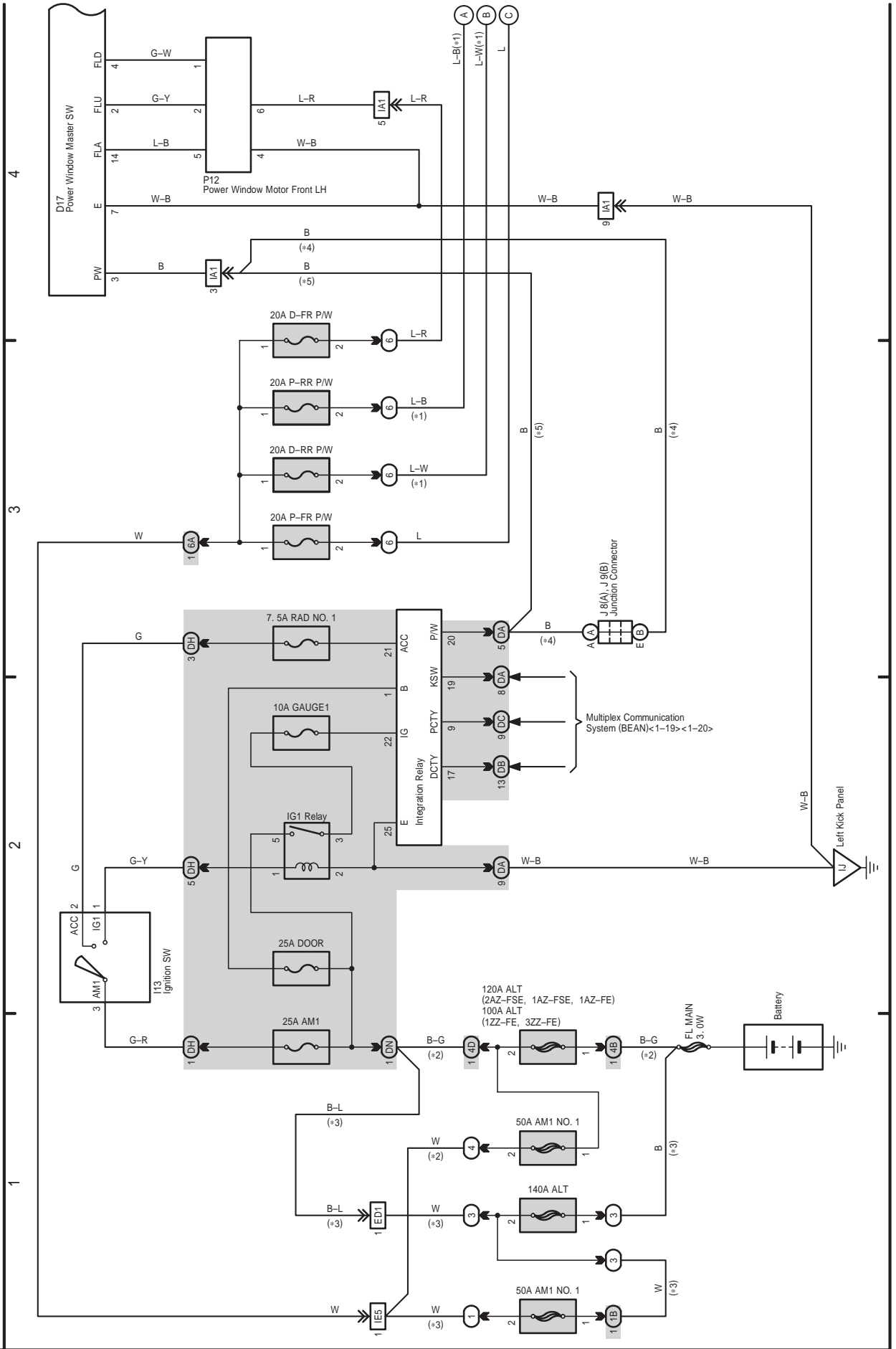
33 AVENSIS

(Cont. next page)

- * 1 : w/ Rear Power Window
- * 2 : Gasoline
- * 3 : Diesel
- * 4 : w/ Moon Roof
- * 5 : w/o Moon Roof

Power Window (LHD)

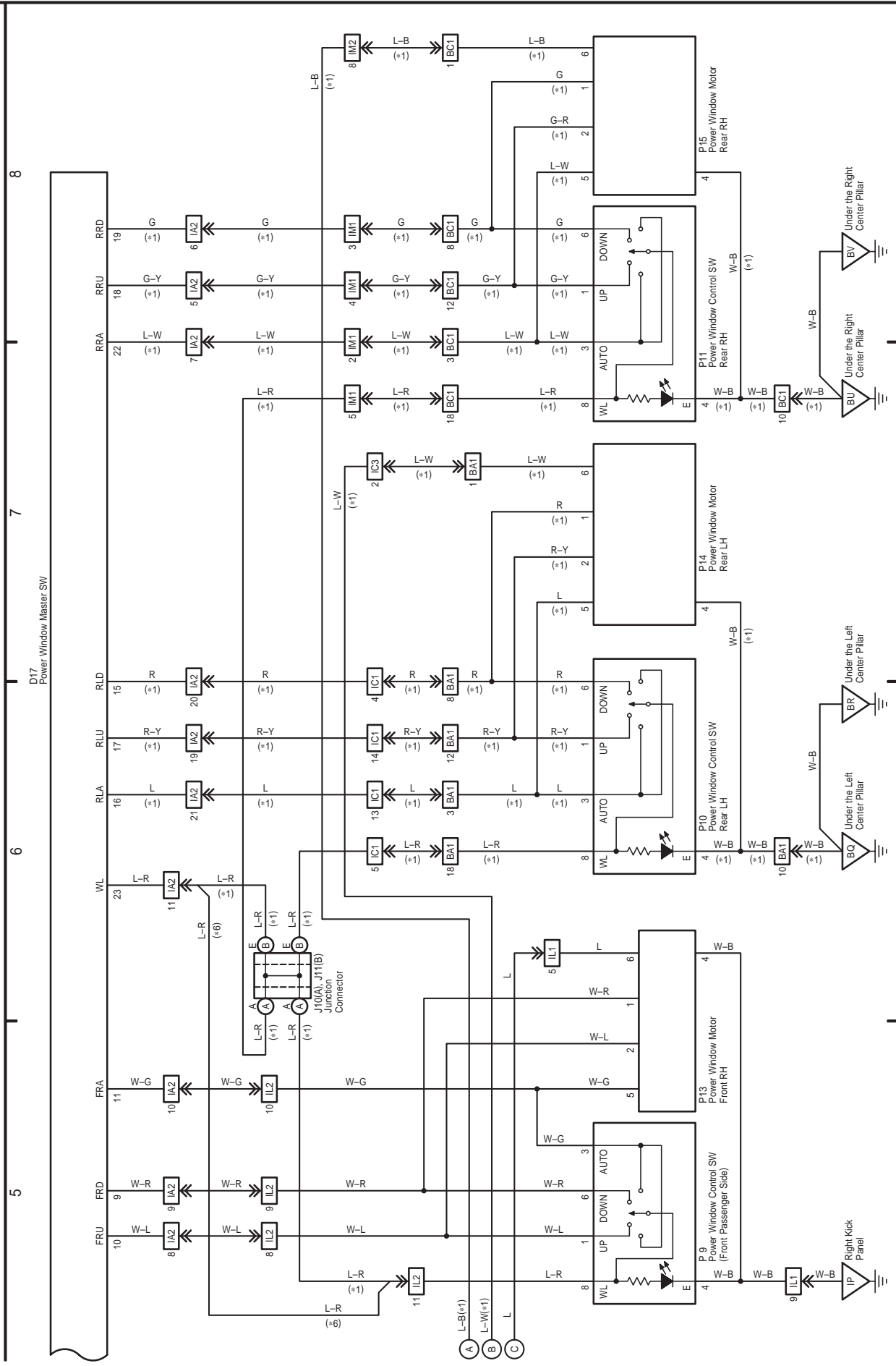
Power Source



33 AVENSIS (Cont' d)

Power Window (LHD)

* 1 : w/ Rear Power Window
= 6 : w/o Rear Power Window



H OVERALL ELECTRICAL WIRING DIAGRAM

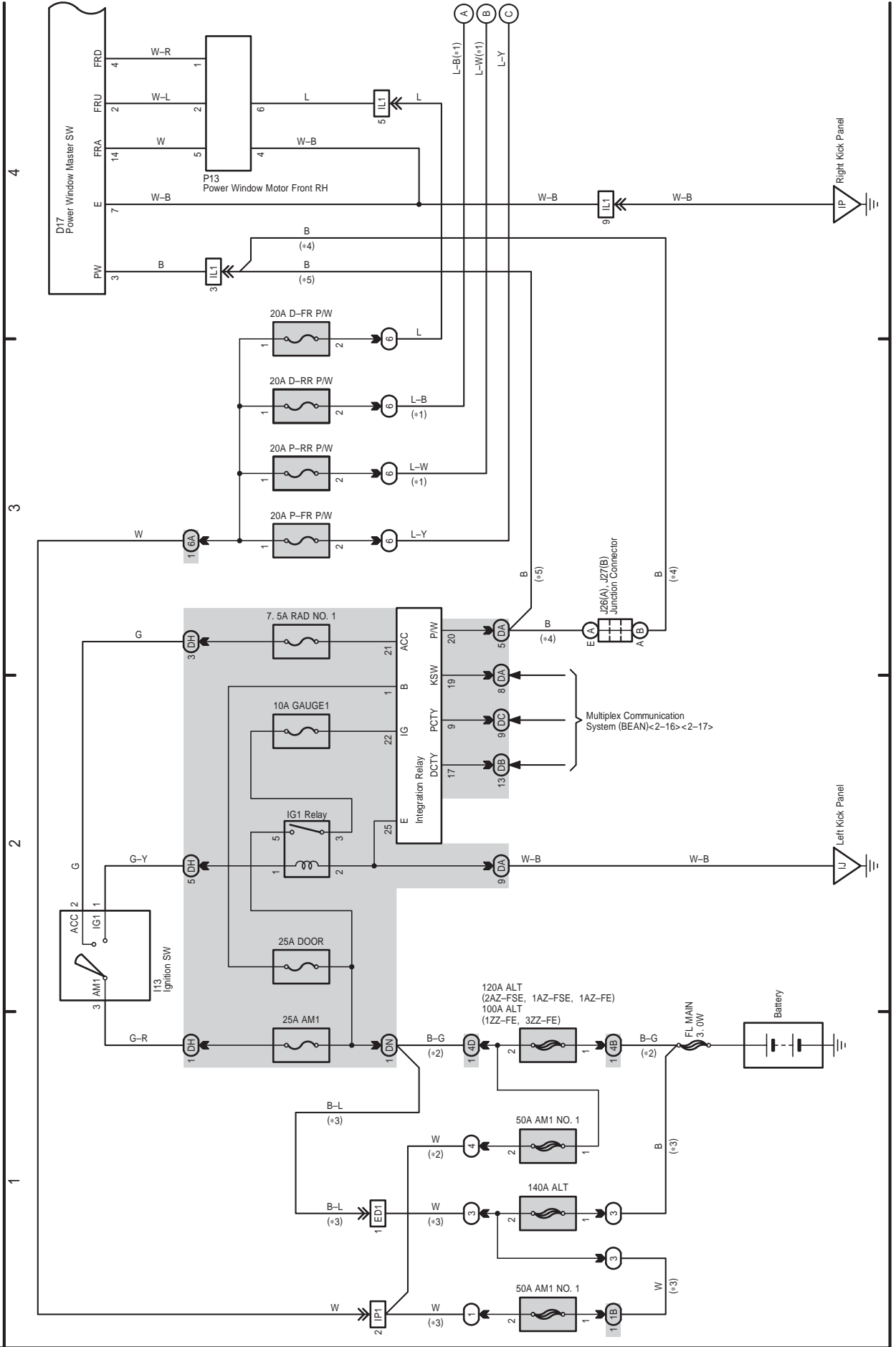
34 AVENSIS

(Cont. next page)

- * 1 : w/ Rear Power Window
- * 2 : Gasoline
- * 3 : Diesel
- * 4 : w/ Moon Roof
- * 5 : w/o Moon Roof

Power Window (RHD)

Power Source

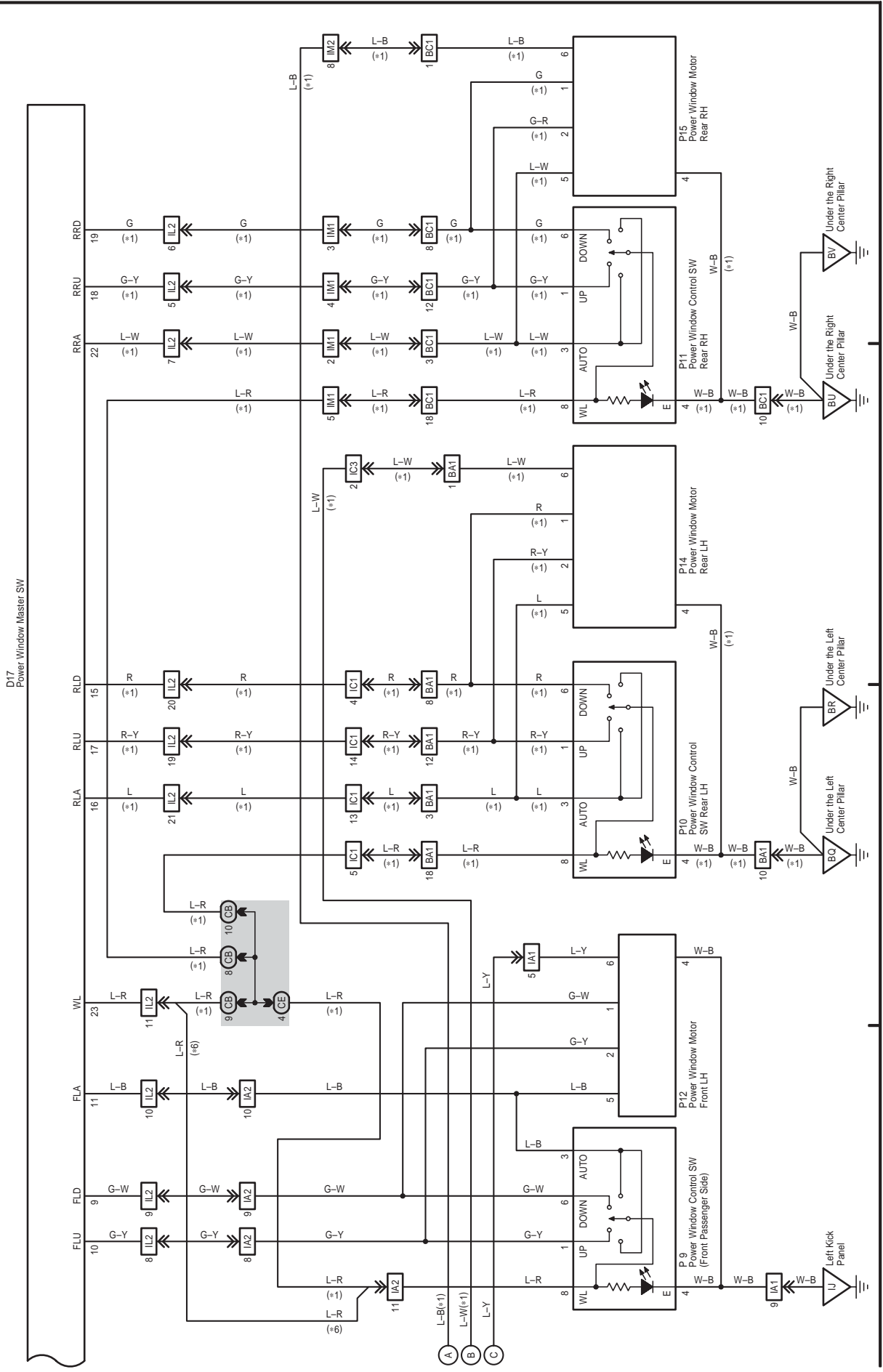


34 AVENSIS (Cont' d)

Power Window (RHD)

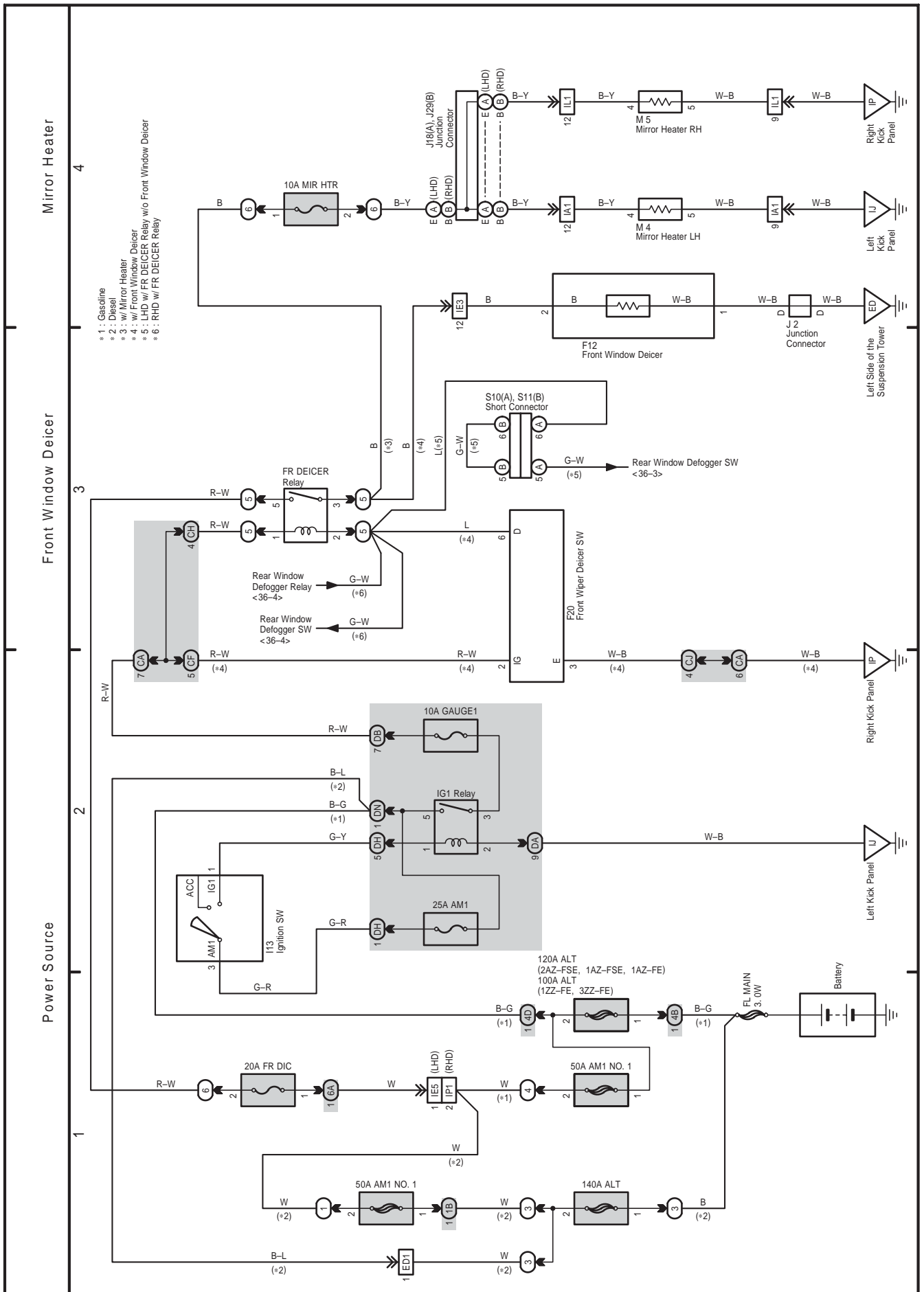
* 1 : w/ Rear Power Window
 = 6 : w/o Rear Power Window

5 6 7 8



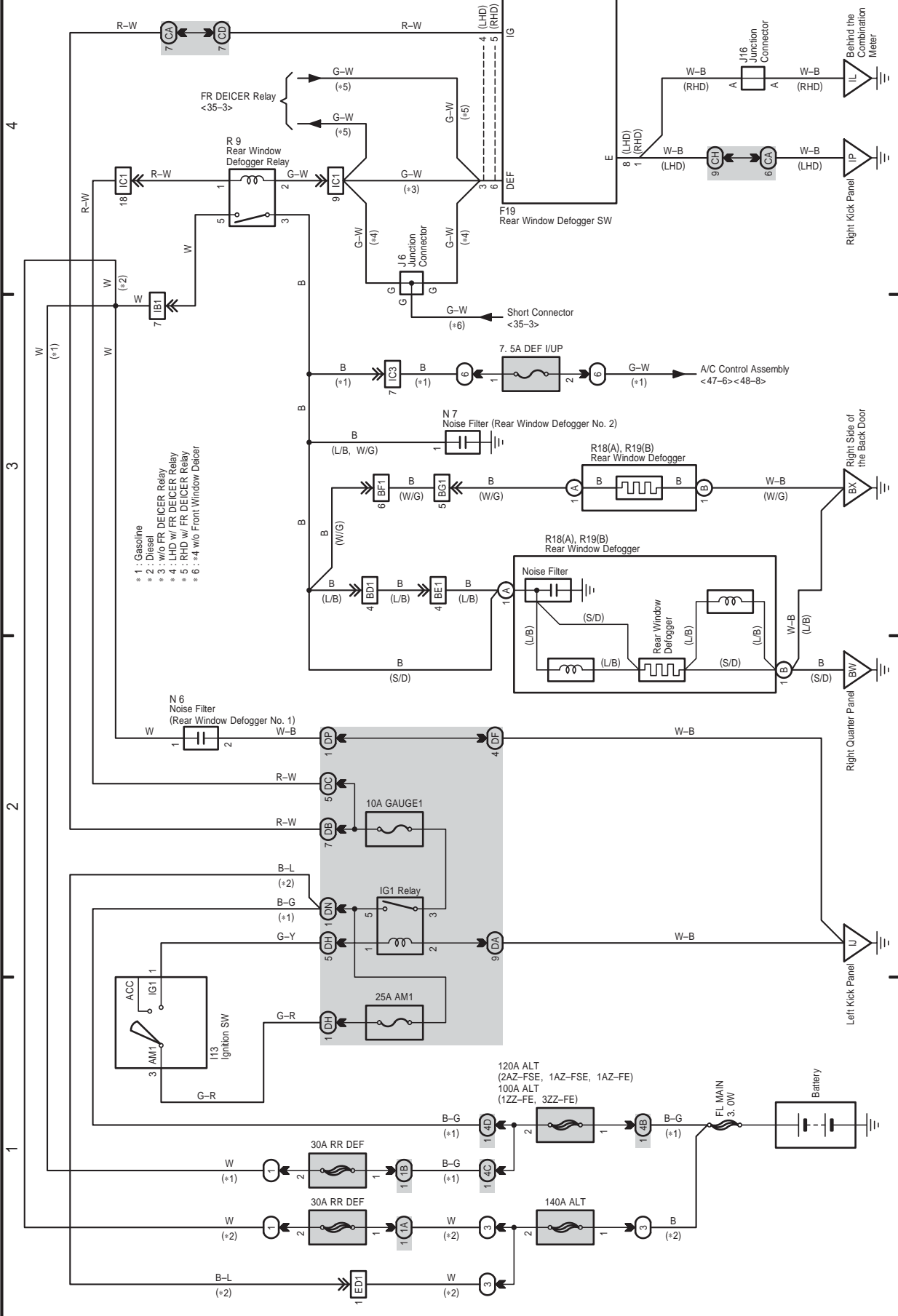
H OVERALL ELECTRICAL WIRING DIAGRAM

35 AVENSIS



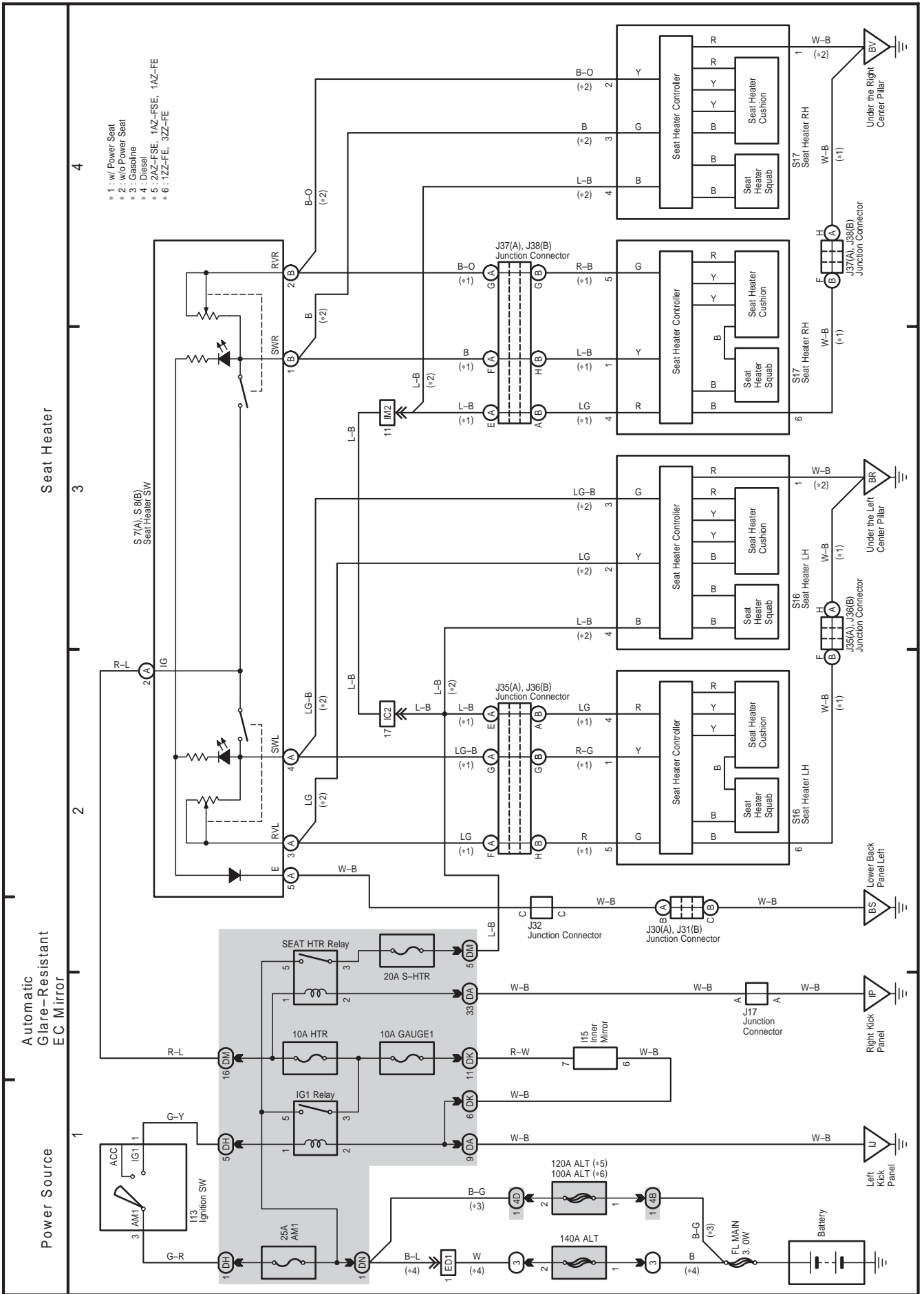
Power Source

Rear Window Defogger



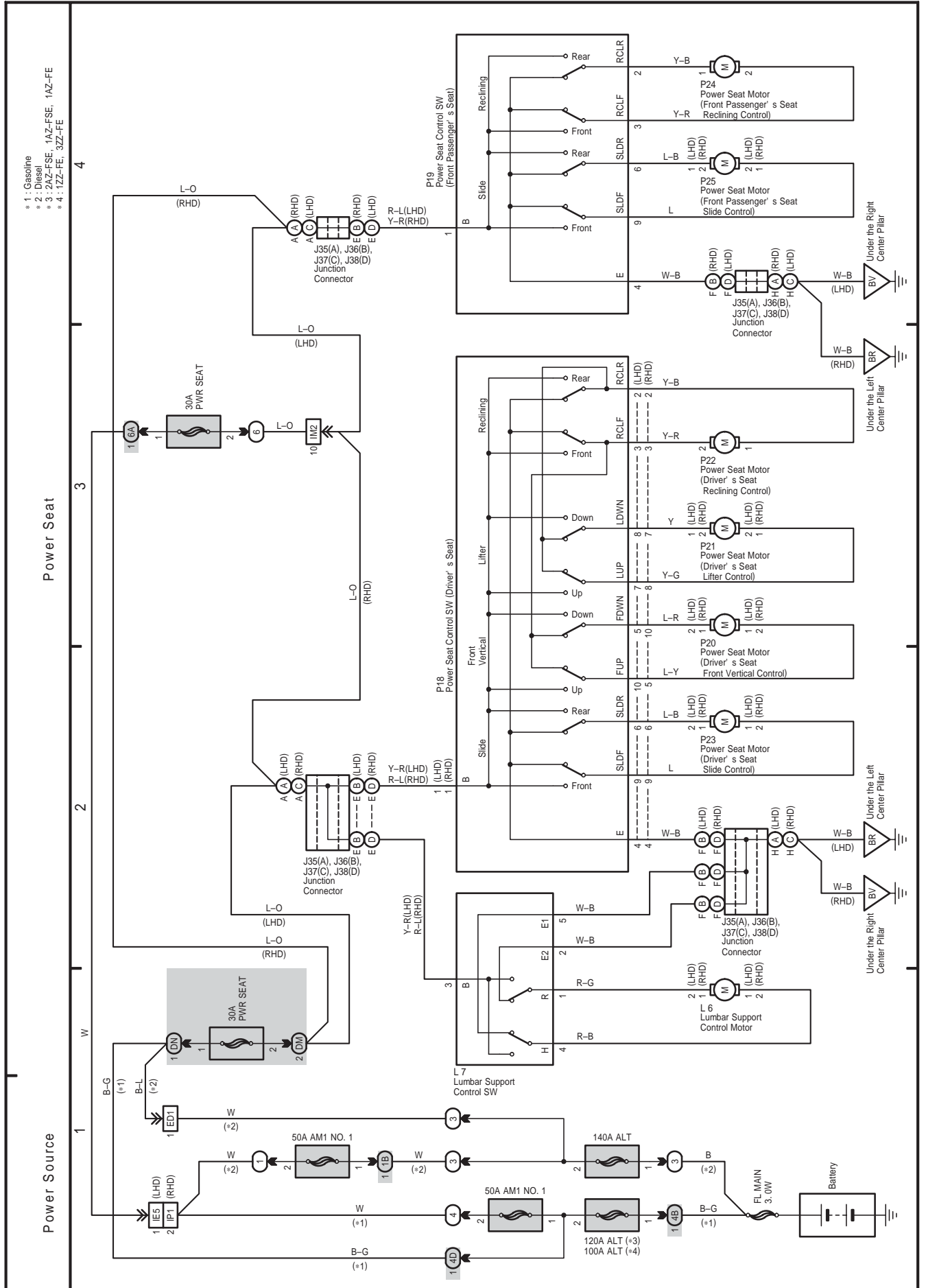
H OVERALL ELECTRICAL WIRING DIAGRAM

37 AVENSIS



- * 1: w/ Power Seat
- * 2: w/o Power Seat
- * 3: Gasoline
- * 4: Diesel
- * 5: 2AZ-FSE, 1AZ-FSE, 1AZ-FE
- * 6: 1ZZ-FE, 3ZZ-FE

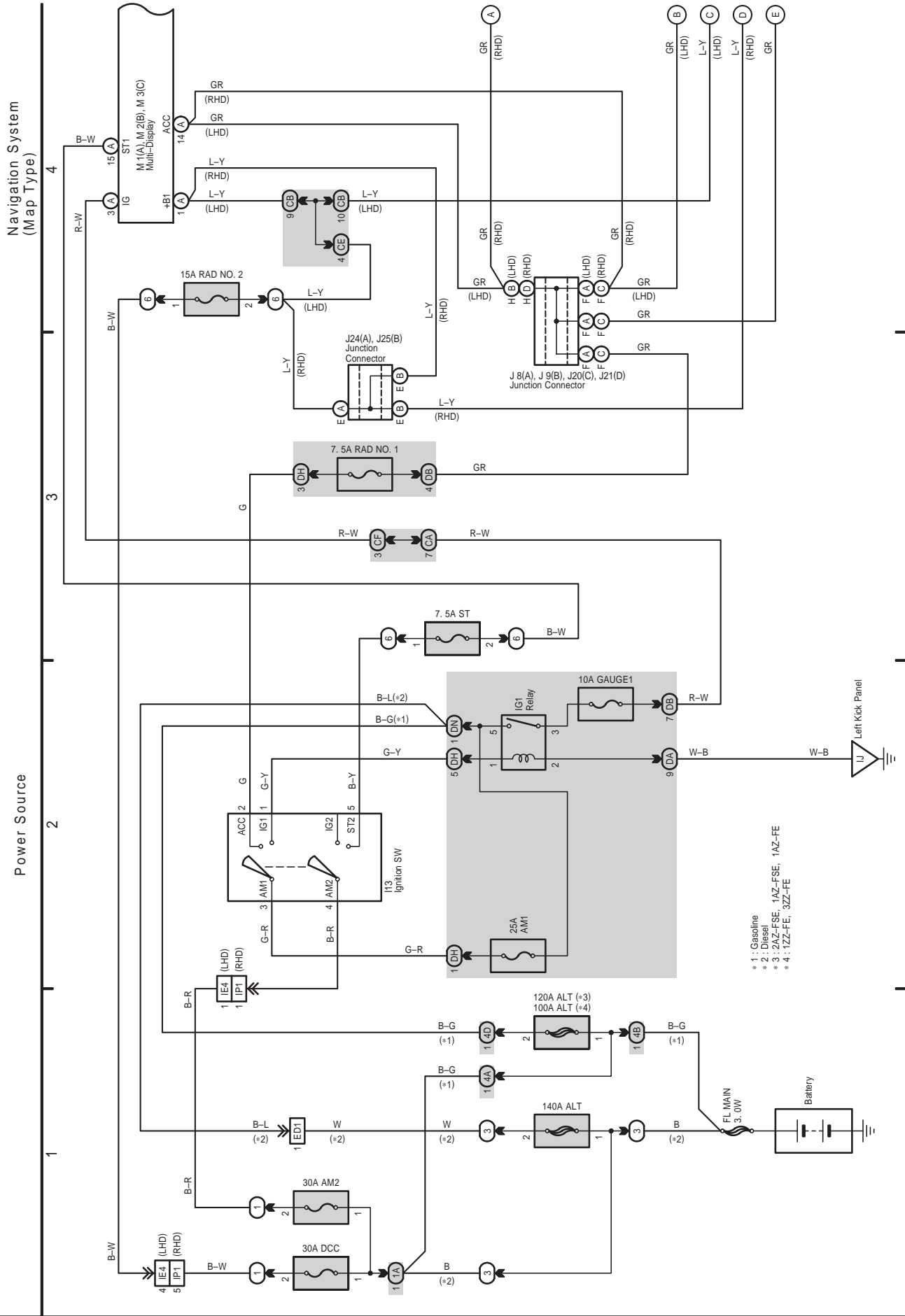
AVENSIS (EWD625E)



H OVERALL ELECTRICAL WIRING DIAGRAM

39 AVENSIS

(Cont. next page)



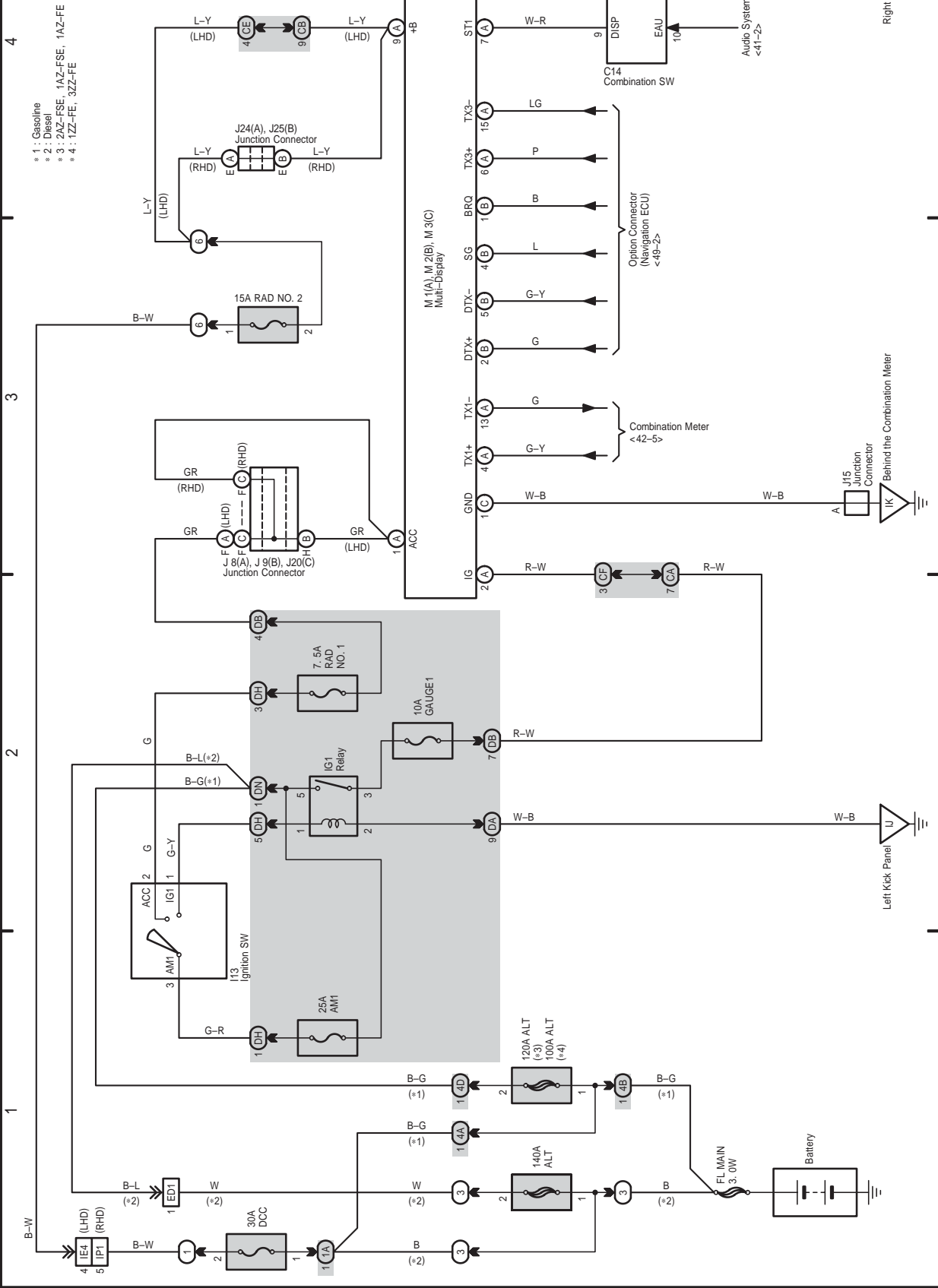
- * 1 : Gasoline
- * 2 : Diesel
- * 3 : 2AZ-FSE, 1AZ-FSE, 1AZ-FE
- * 4 : 1ZZ-FE, 3ZZ-FE

H OVERALL ELECTRICAL WIRING DIAGRAM

40 AVENSIS

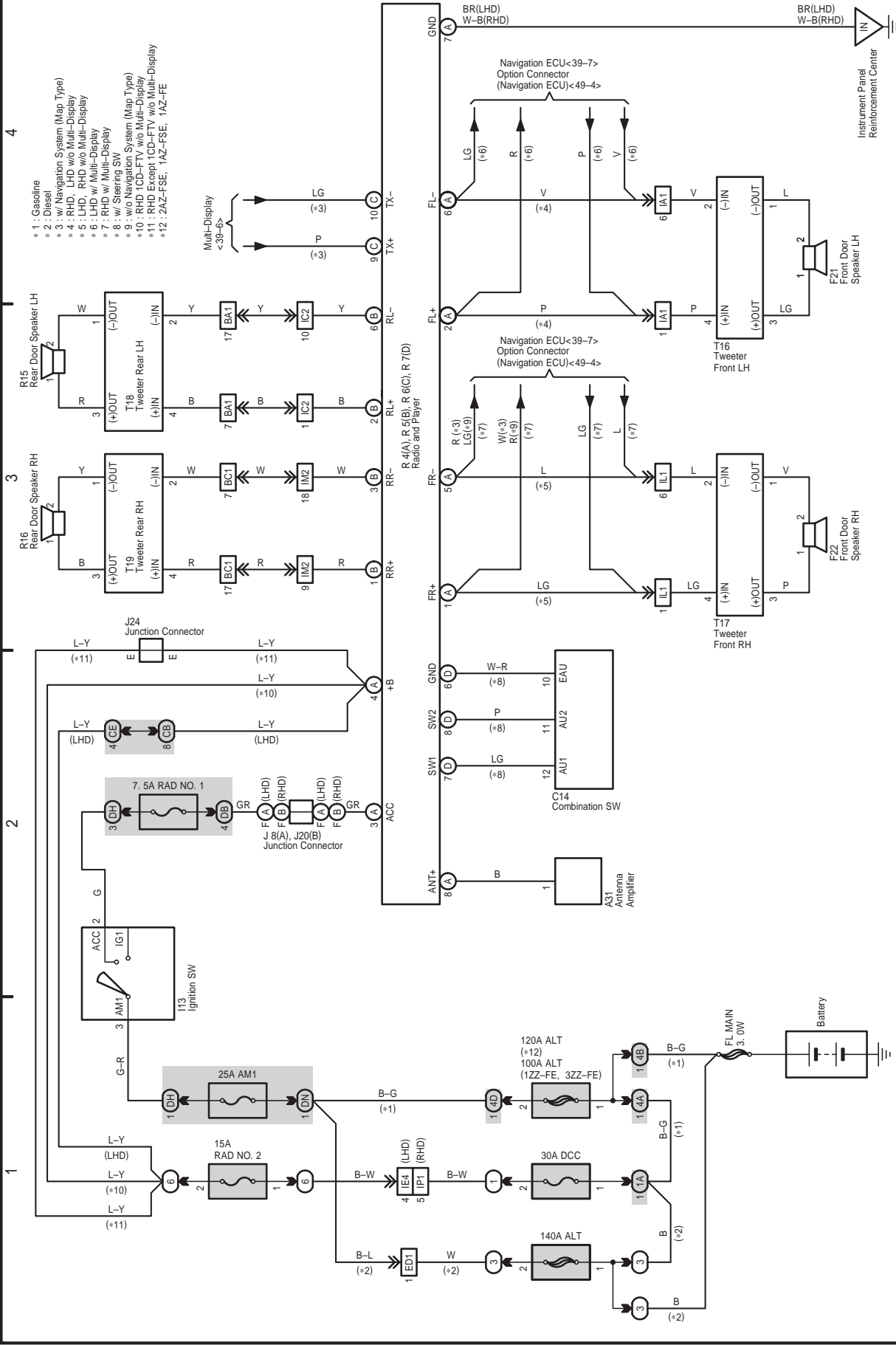
Multi-Display (w/o Navigation System Map Type)

Power Source



Power Source

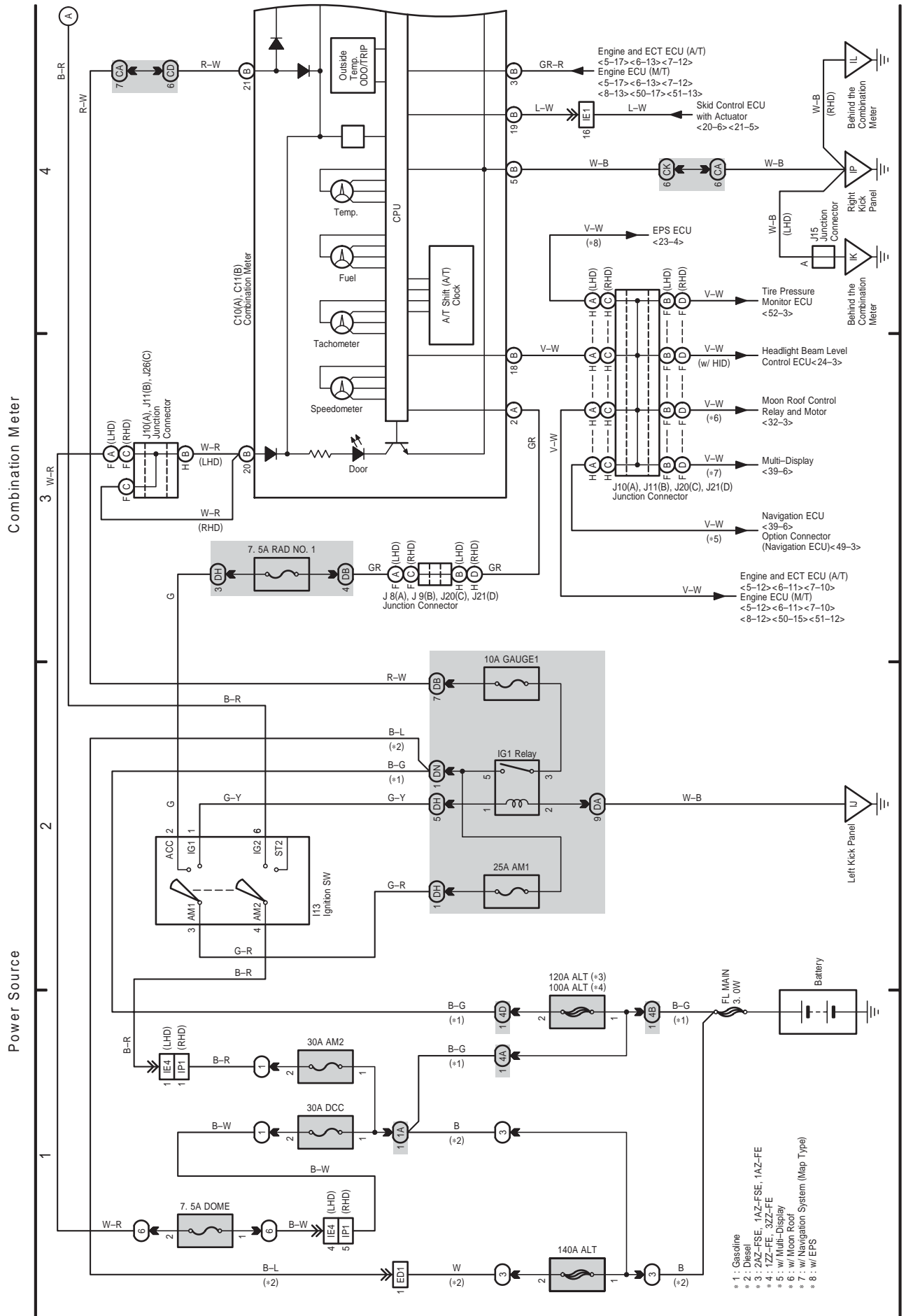
Audio System



H OVERALL ELECTRICAL WIRING DIAGRAM

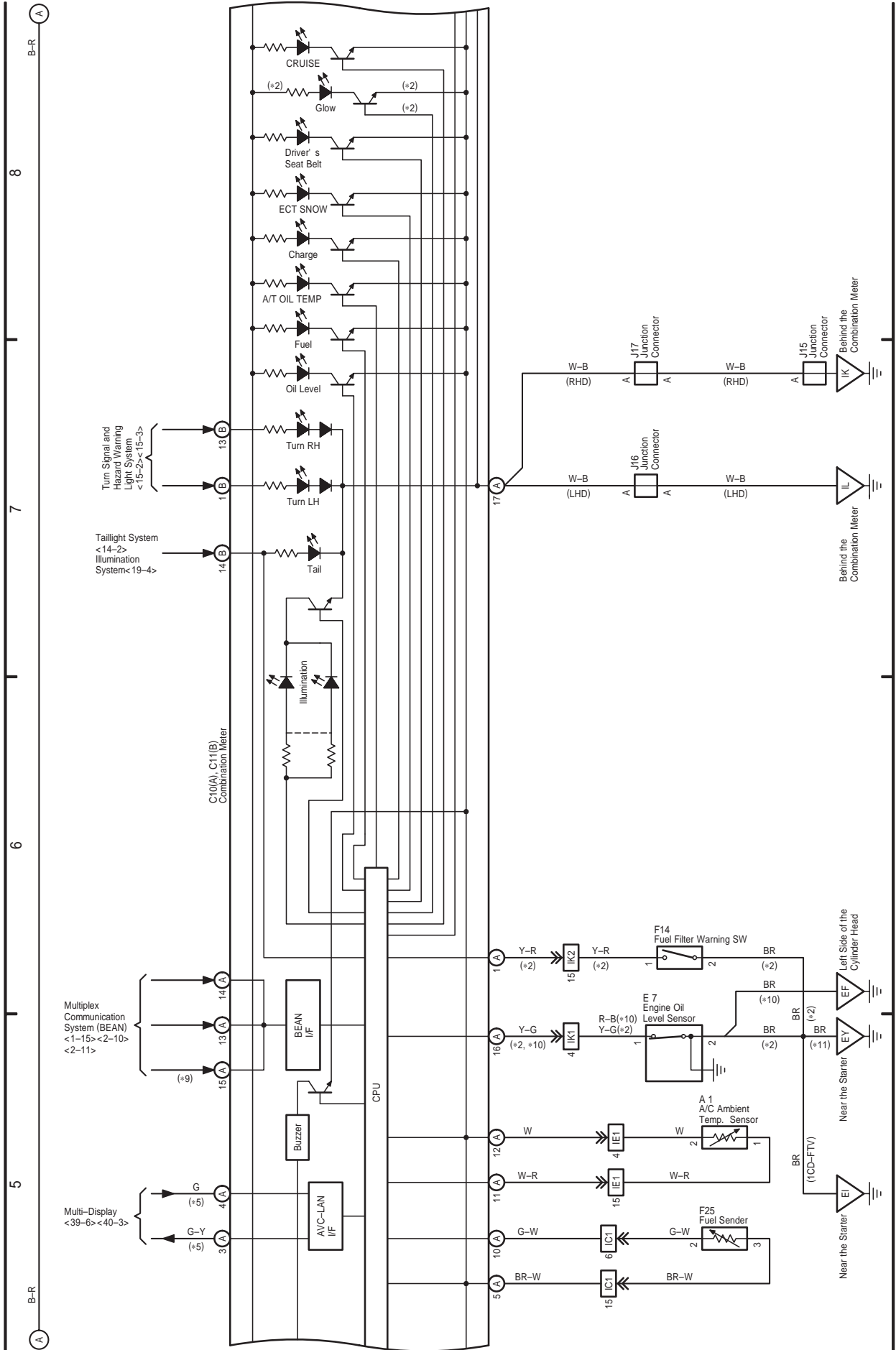
42 AVENSIS

(Cont. next page)



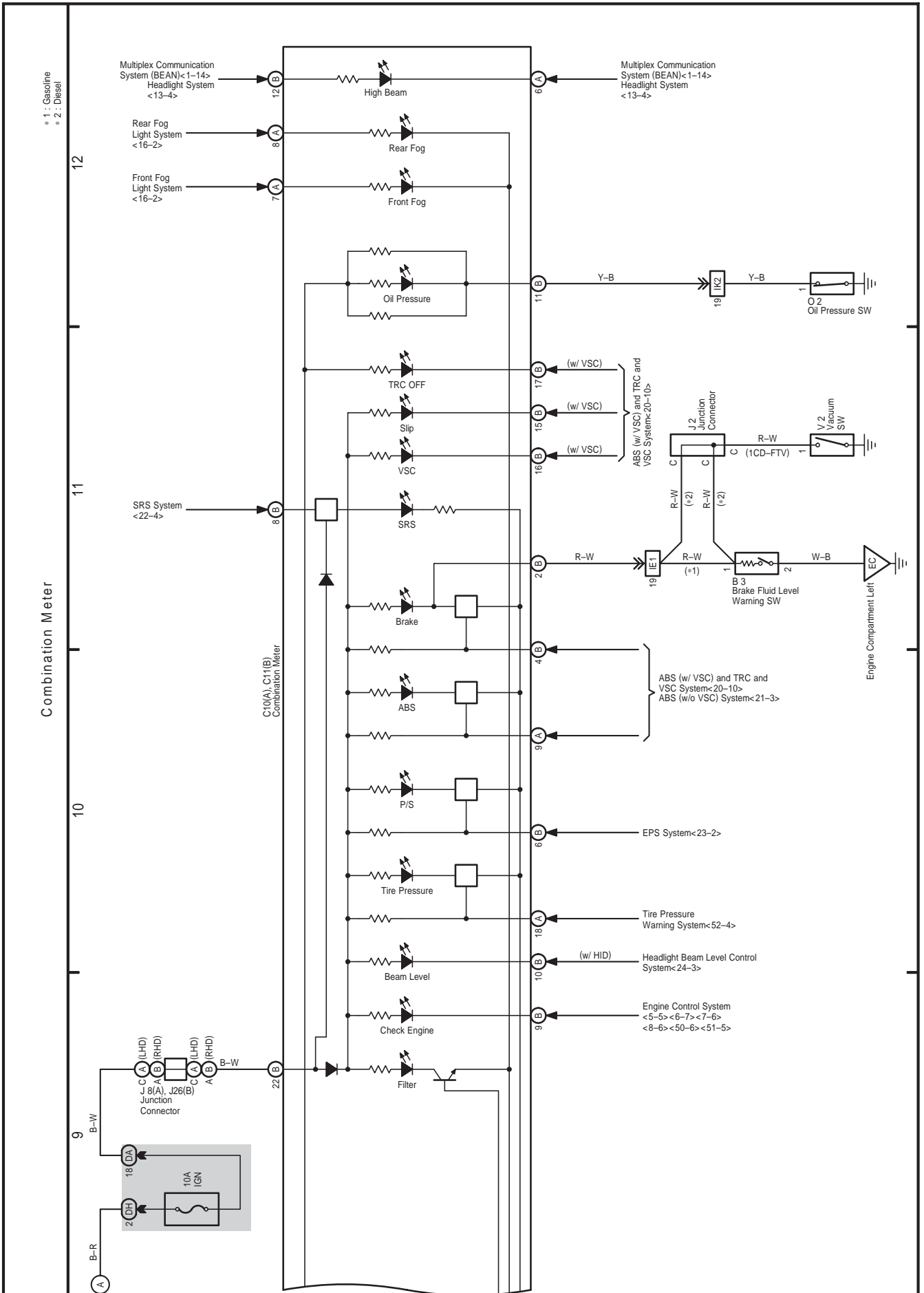
- * 2 : Diesel
- * 5 : Multi-Display
- * 9 : w/ Theft Deterrent
- * 10 : 2AZ-FSE
- * 11 : 2AD-FHV, 2AD-FTV

Combination Meter



H OVERALL ELECTRICAL WIRING DIAGRAM

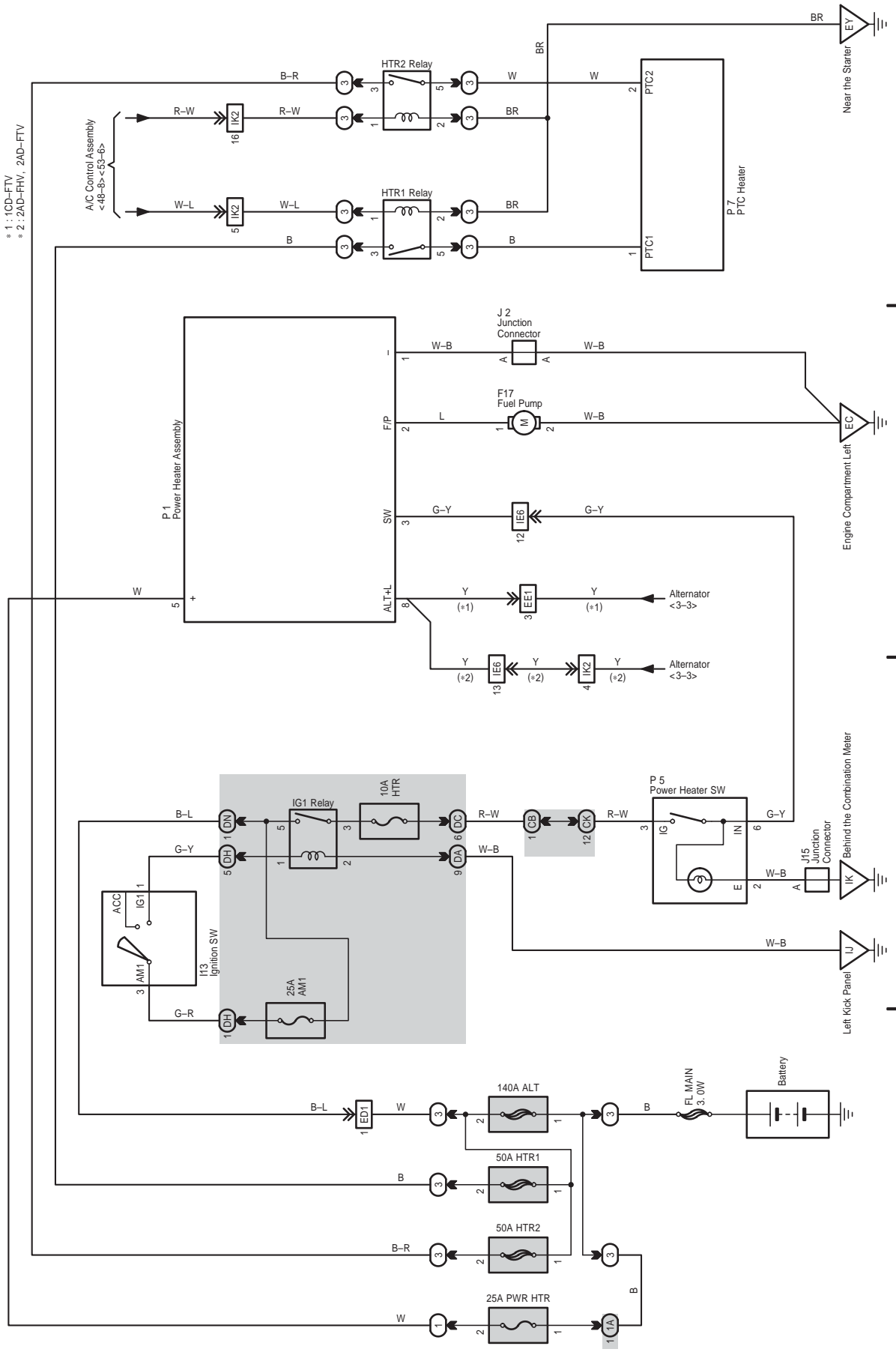
42 AVENSIS (Cont' d)



Power Source

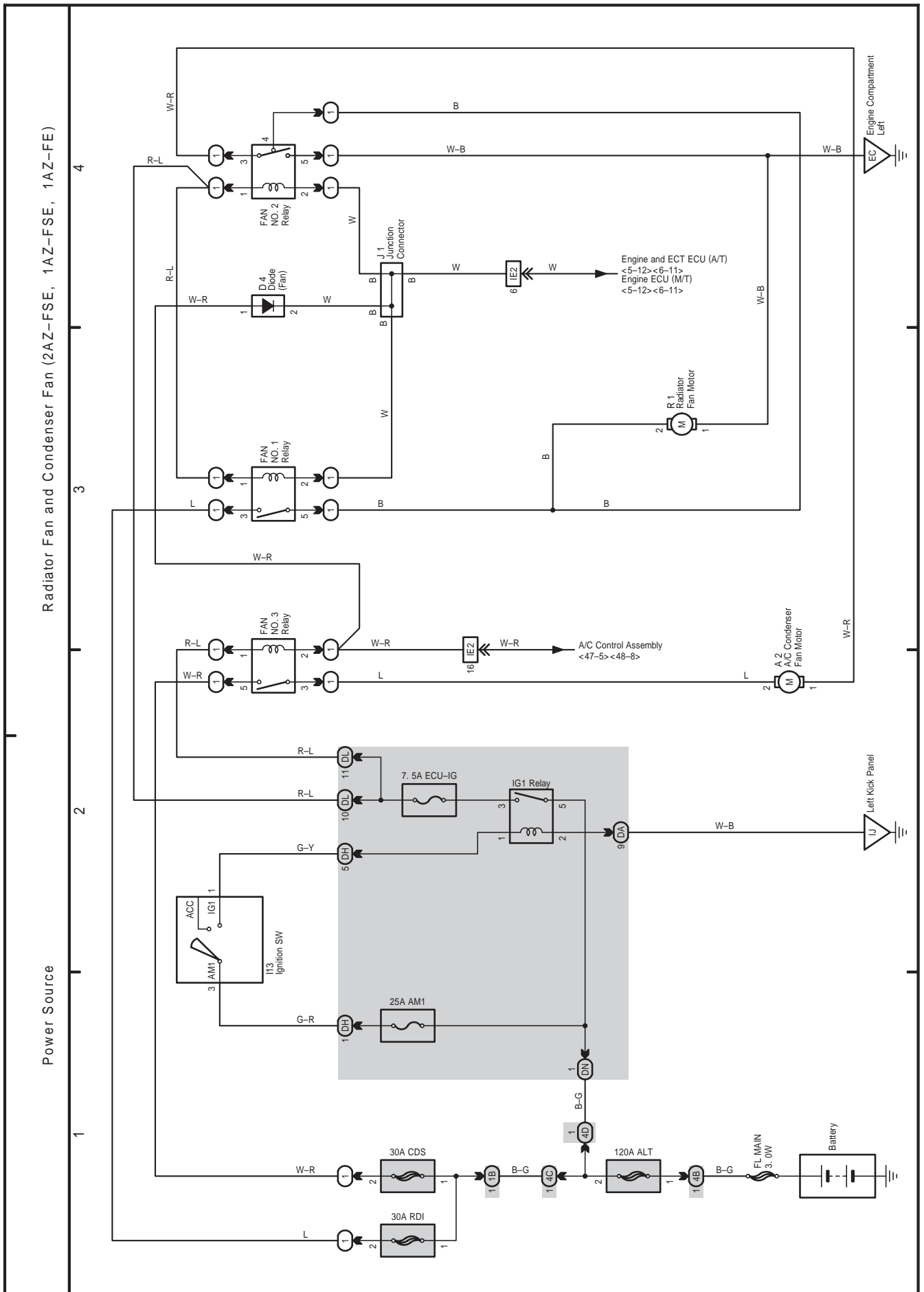
Power Heater (Combustion Type)

Power Heater (Electrical Type)



H OVERALL ELECTRICAL WIRING DIAGRAM

44 AVENSIS



Power Source

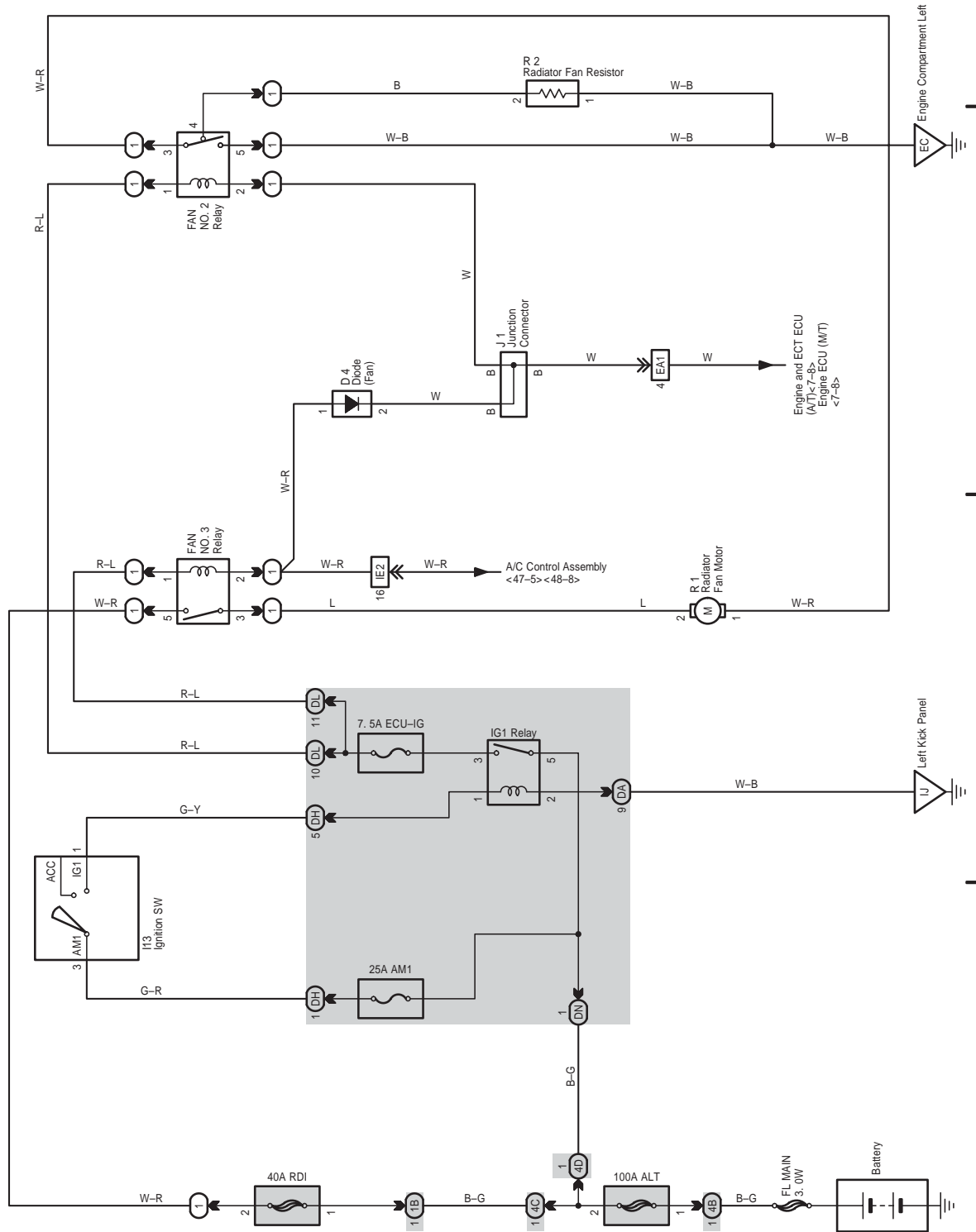
Radiator Fan (1ZZ-FE, 3ZZ-FE)

4

3

2

1

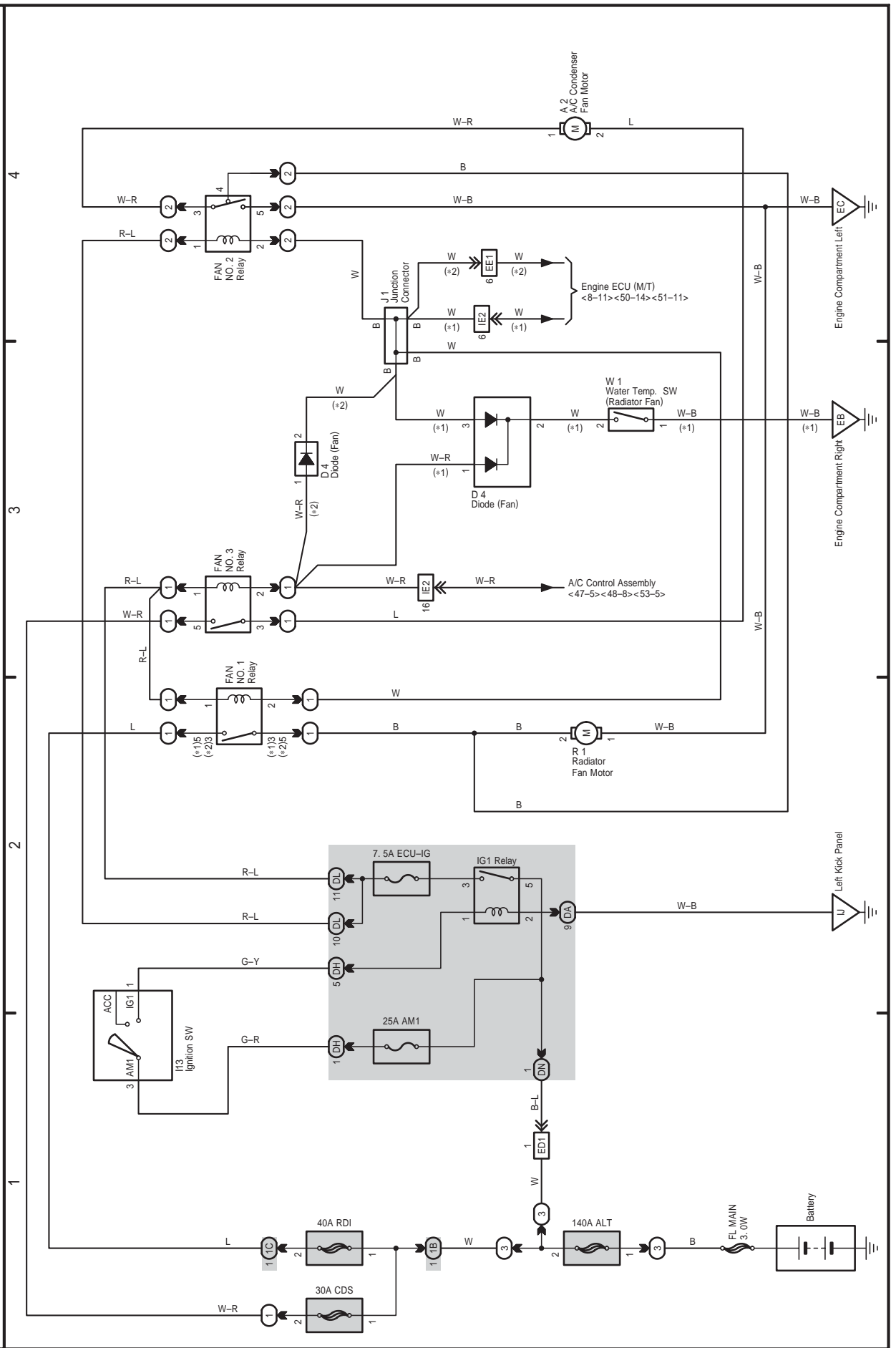


H OVERALL ELECTRICAL WIRING DIAGRAM

46 AVENSIS

Radiator Fan and Condenser Fan (Diesel)

* 1 : 1CD-FTV
* 2 : 2AD-FHV, 2AD-FTV

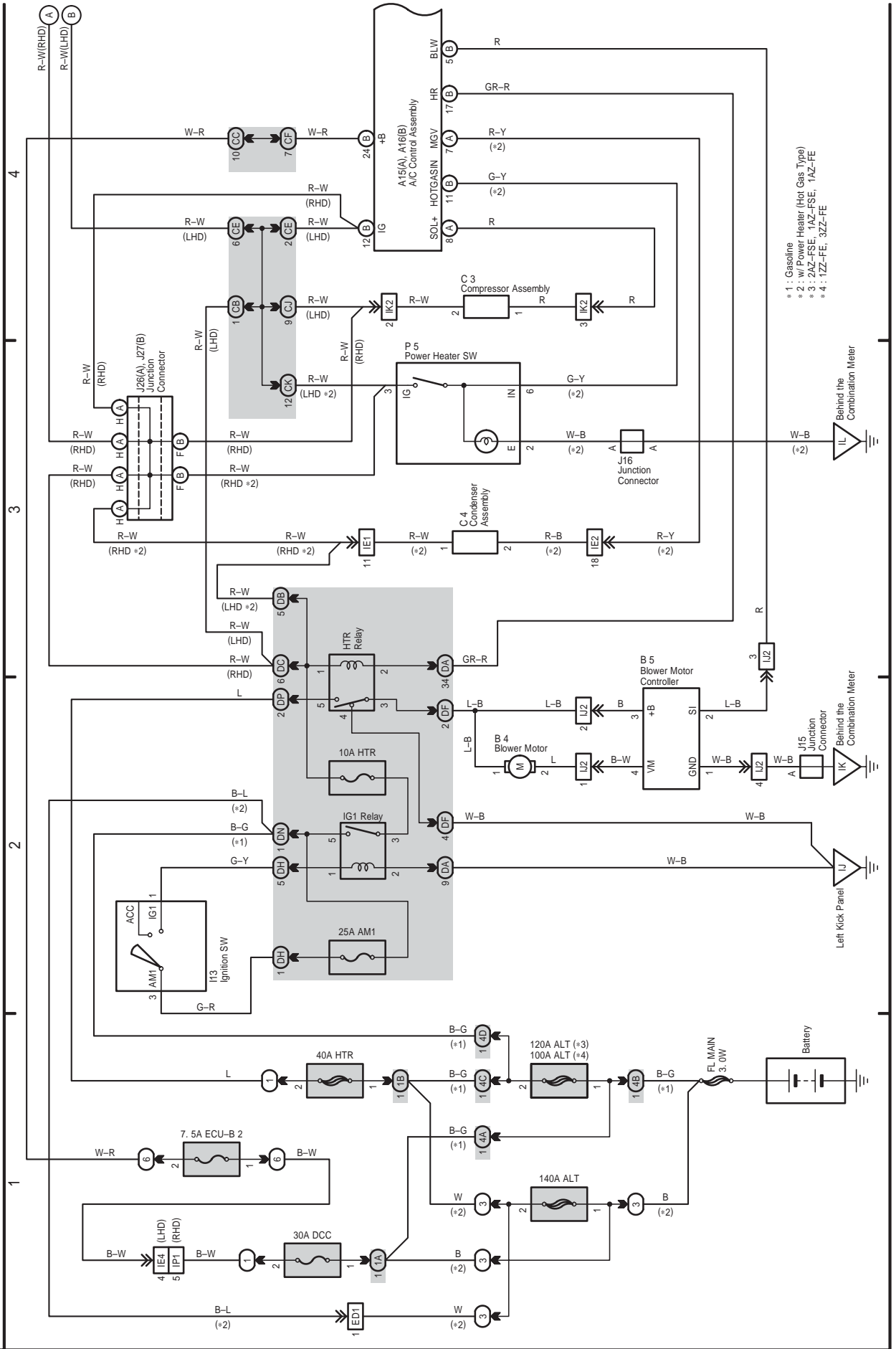


H OVERALL ELECTRICAL WIRING DIAGRAM

47 AVENSIS

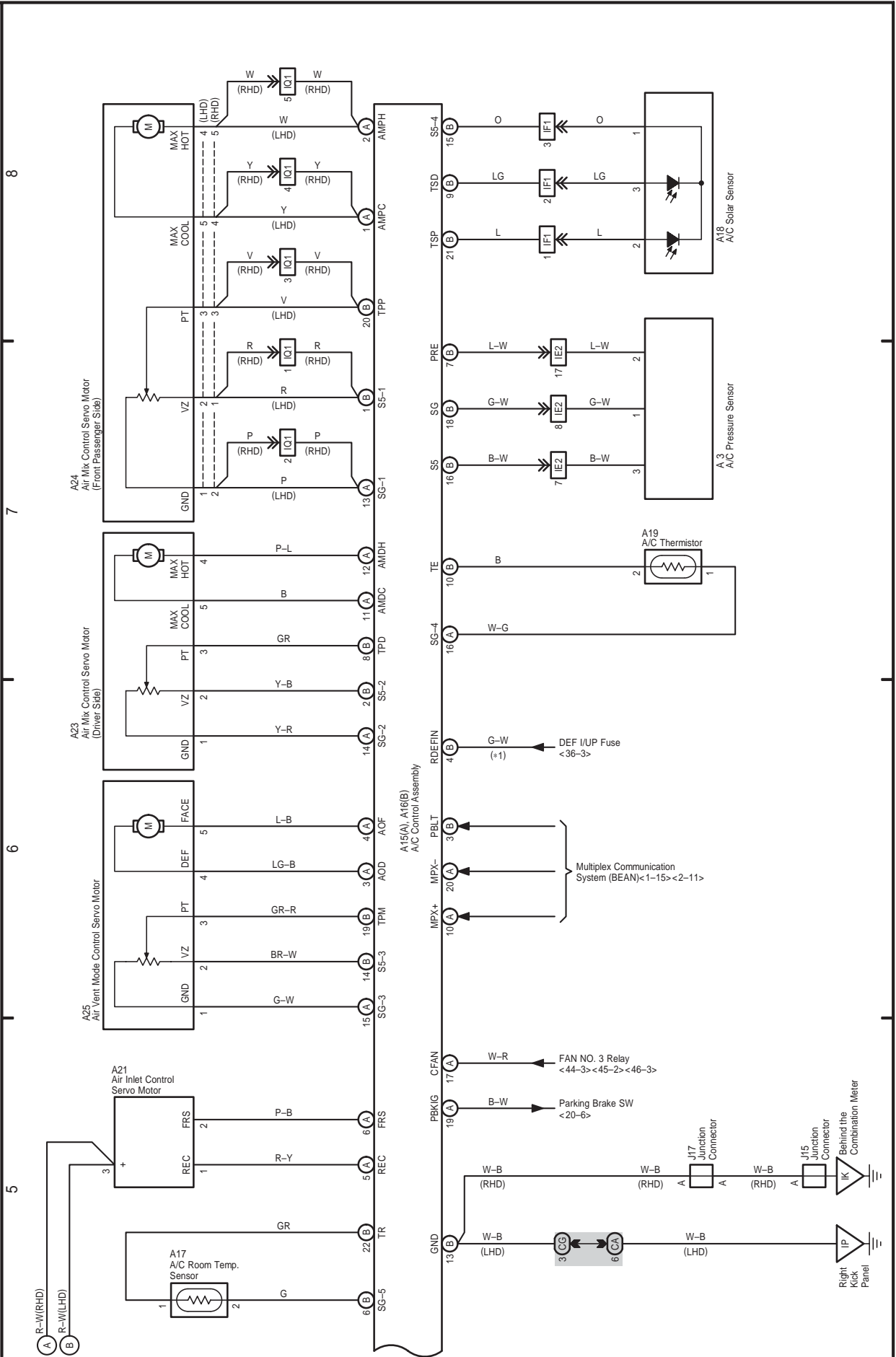
(Cont. next page)

Automatic Air Conditioner (Except 2AD-FHV, 2AD-FTV) and Power Heater (Hot Gas Type Automatic A/C)



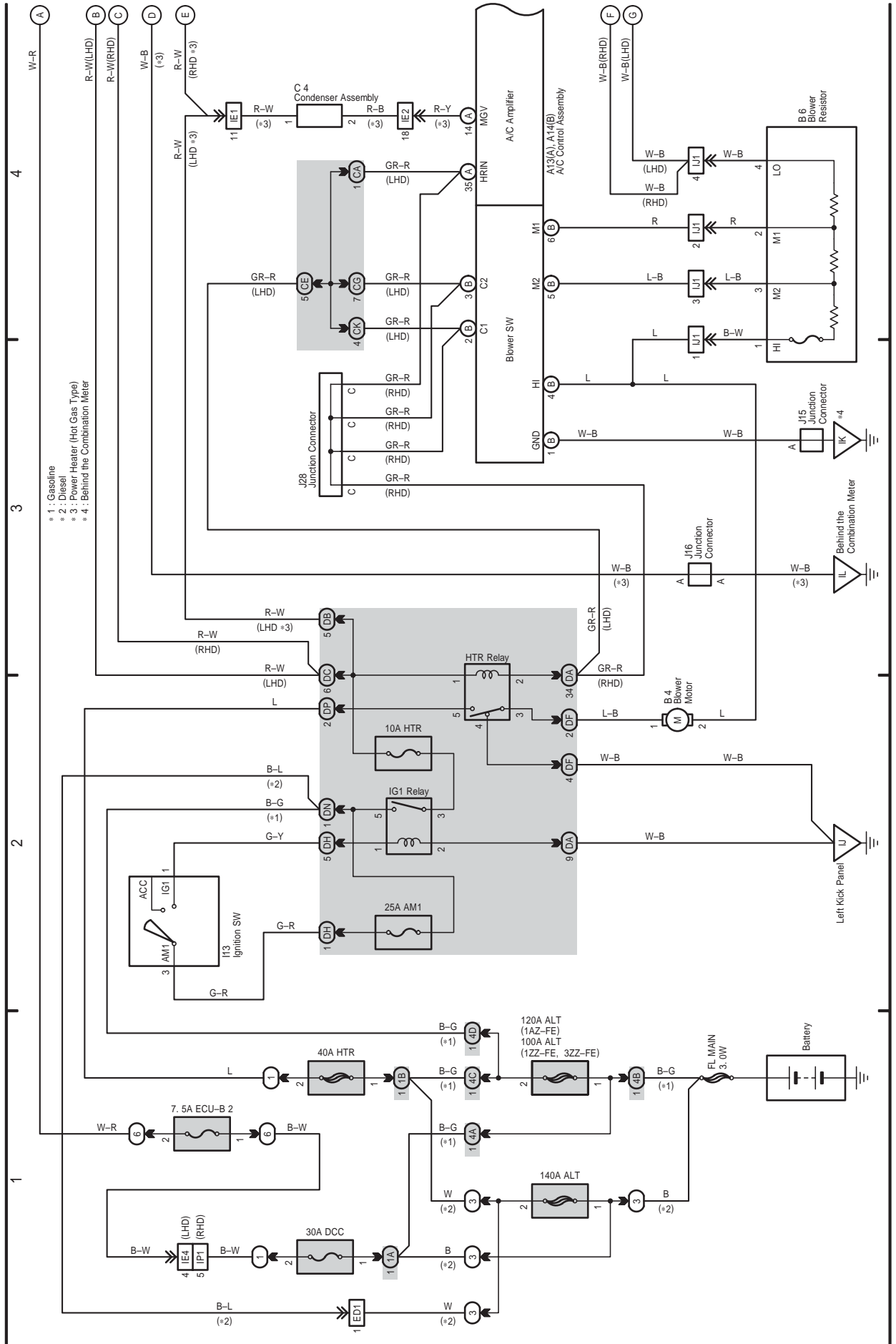
Automatic Air Conditioner (Except 2AD-FHV, 2AD-FTV) and Power Heater (Hot Gas Type Automatic A/C)

* 1 : Gasoline

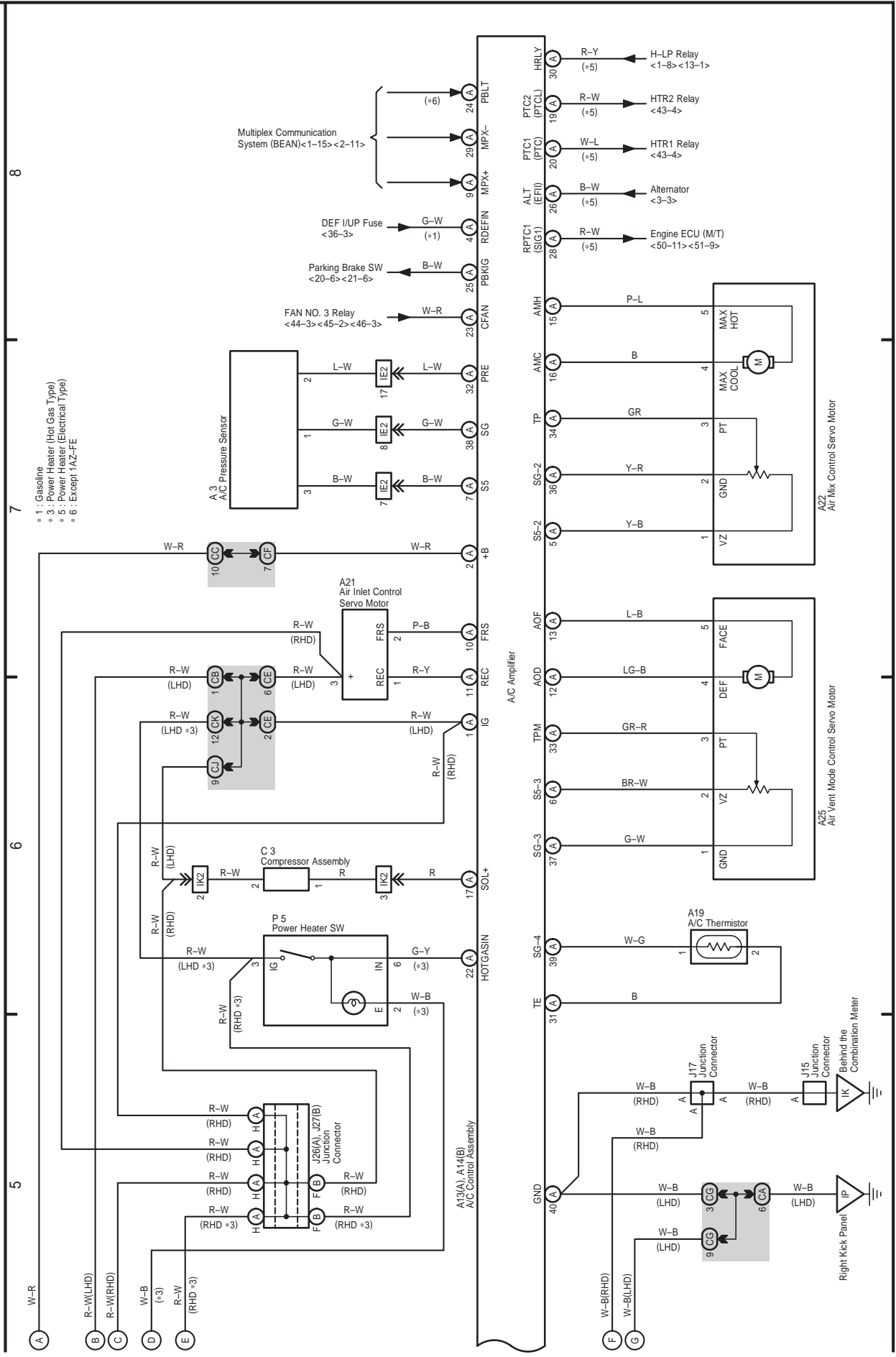


H OVERALL ELECTRICAL WIRING DIAGRAM

Manual Air Conditioner and Power Heater (Hot Gas Type Manual A/C)

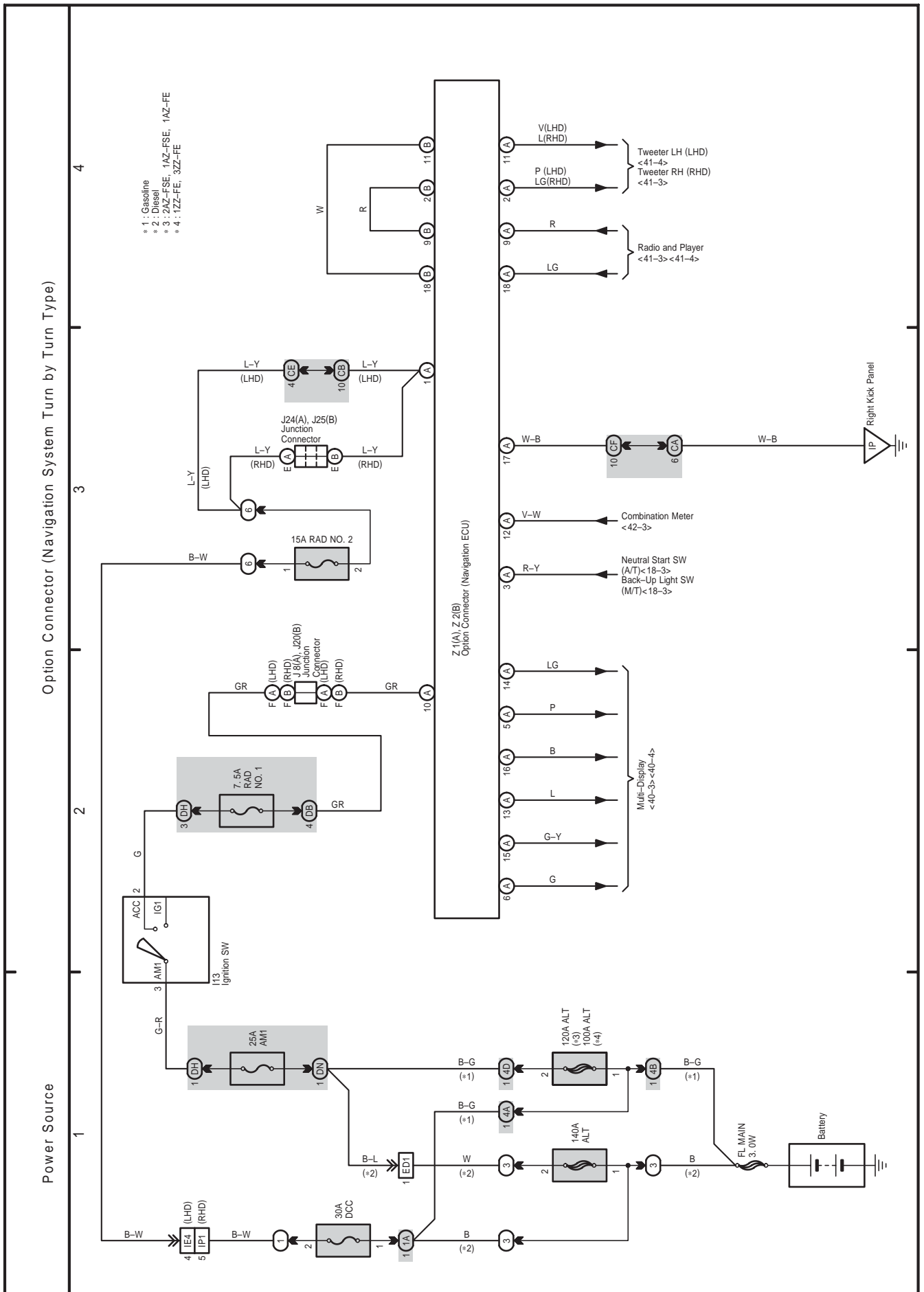


Manual Air Conditioner and Power Heater (Hot Gas Type Manual A/C)



H OVERALL ELECTRICAL WIRING DIAGRAM

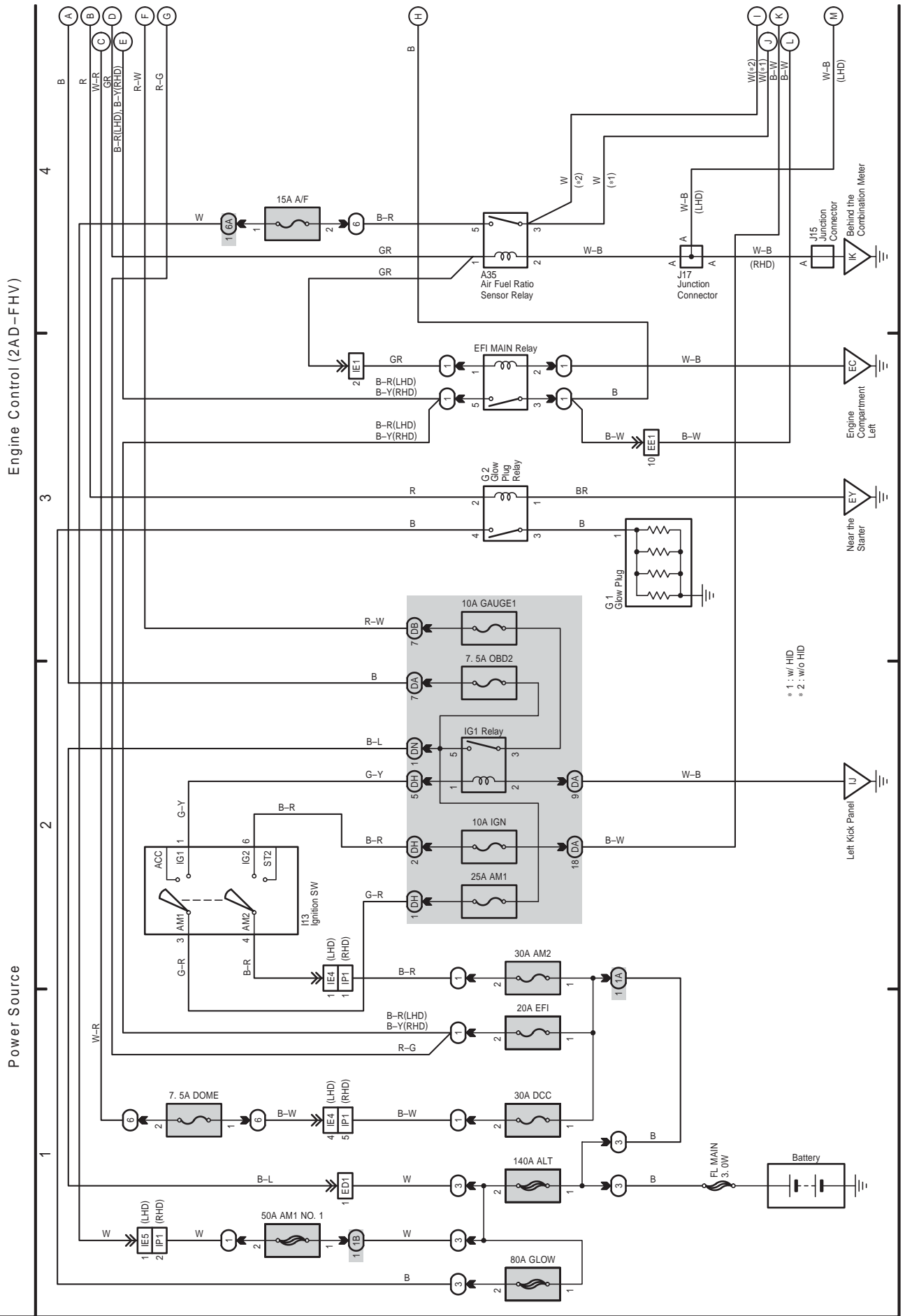
49 AVENSIS



H OVERALL ELECTRICAL WIRING DIAGRAM

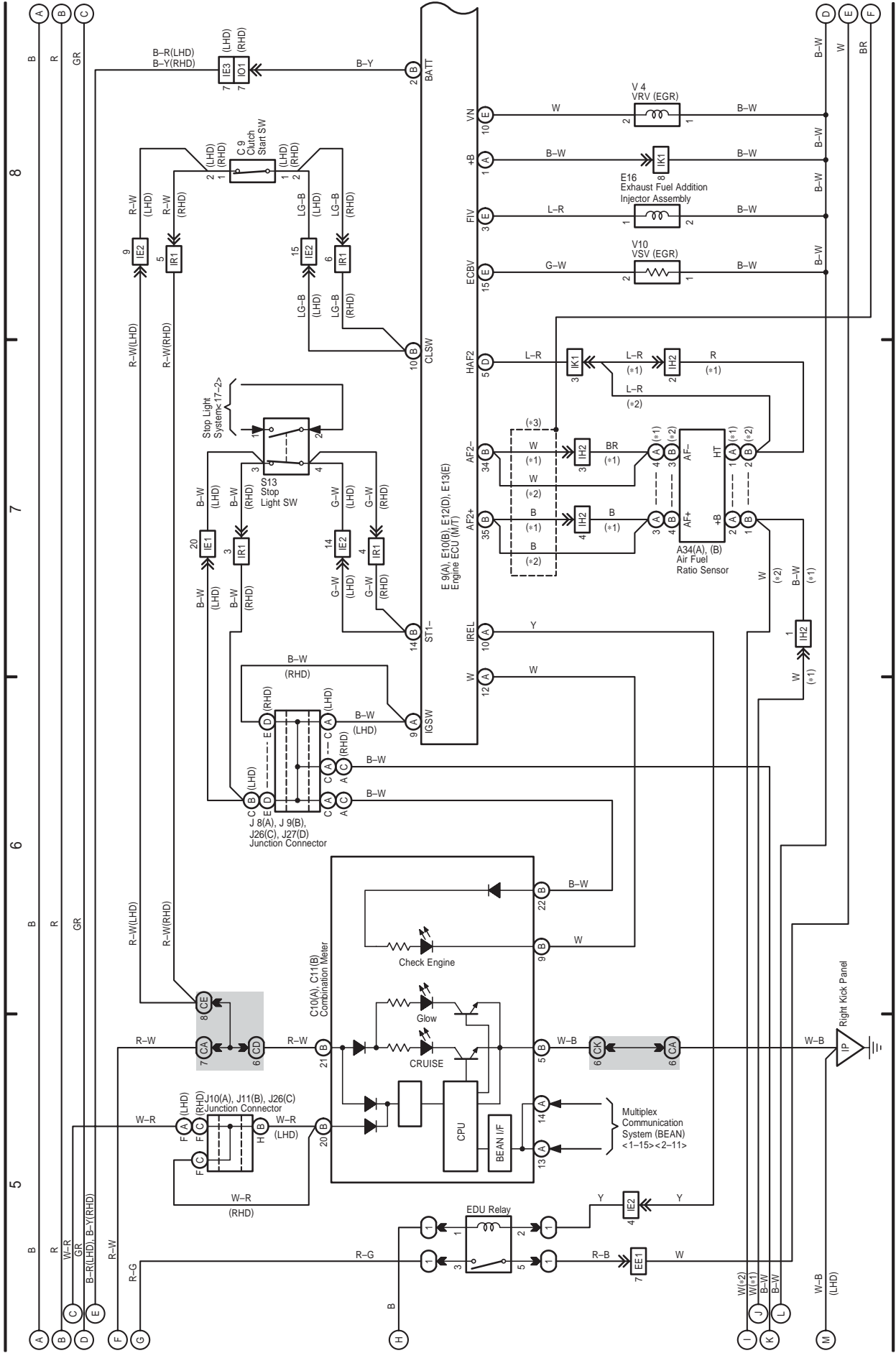
50 AVENSIS

(Cont. next page)



Engine Control (2AD-FHV)

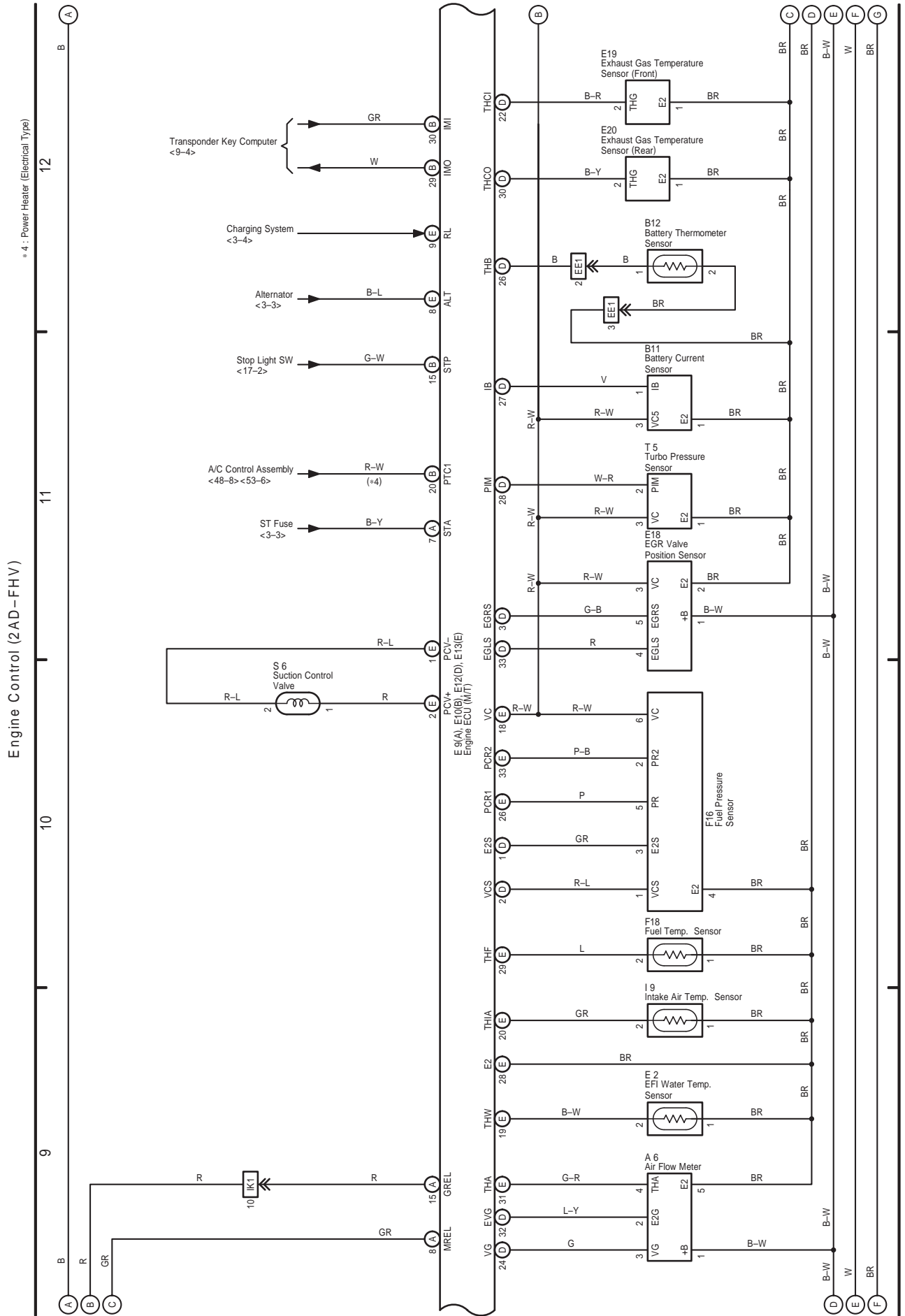
* 1 : w/HID
* 2 : w/o HID
* 3 : Shielded



H OVERALL ELECTRICAL WIRING DIAGRAM

50 AVENSIS (Cont' d)

(Cont. next page)



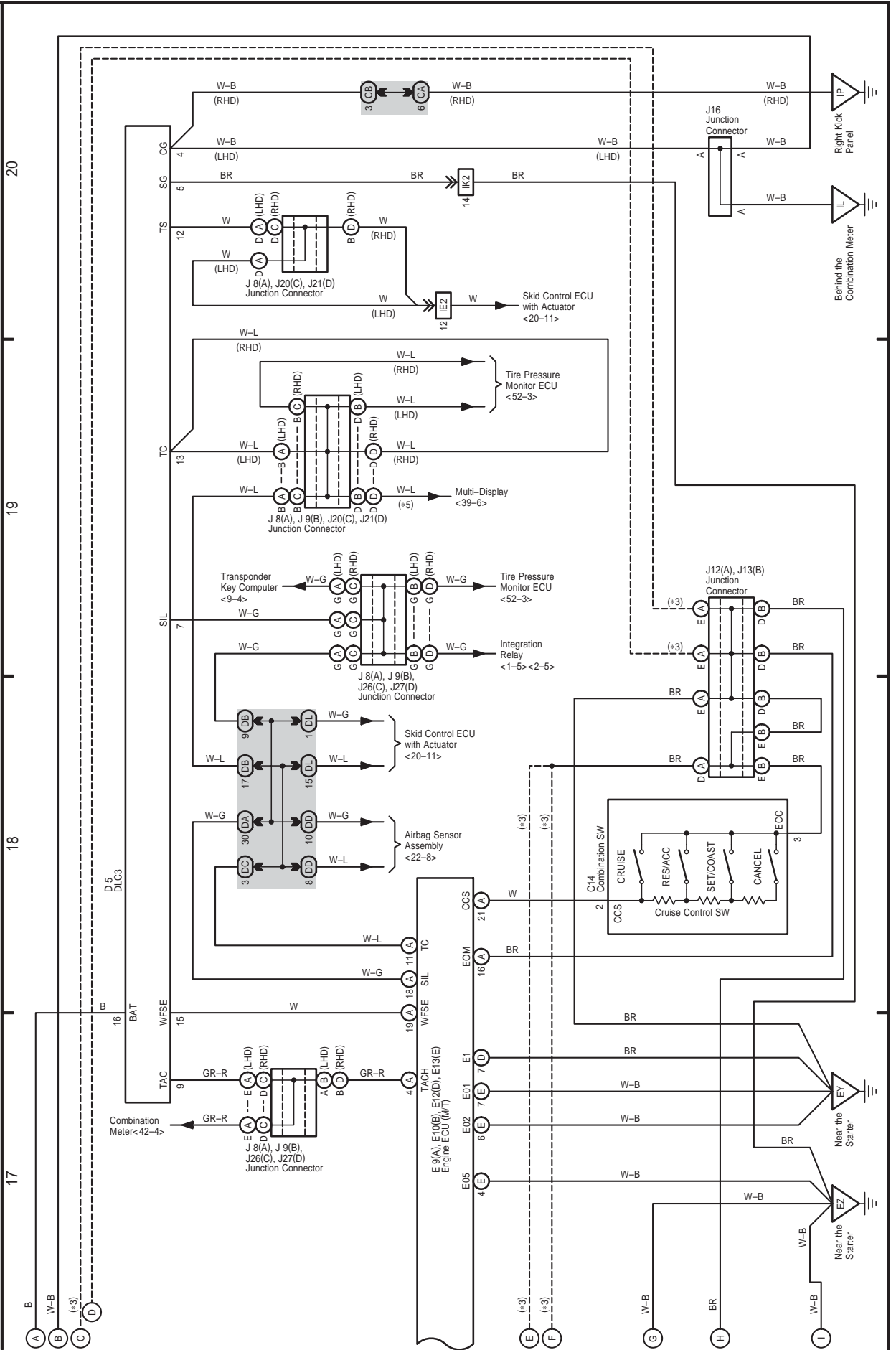
H OVERALL ELECTRICAL WIRING DIAGRAM

50 AVENSIS (Cont' d)

Cruise Control (2AD-FHV)

Engine Control (2AD-FHV)

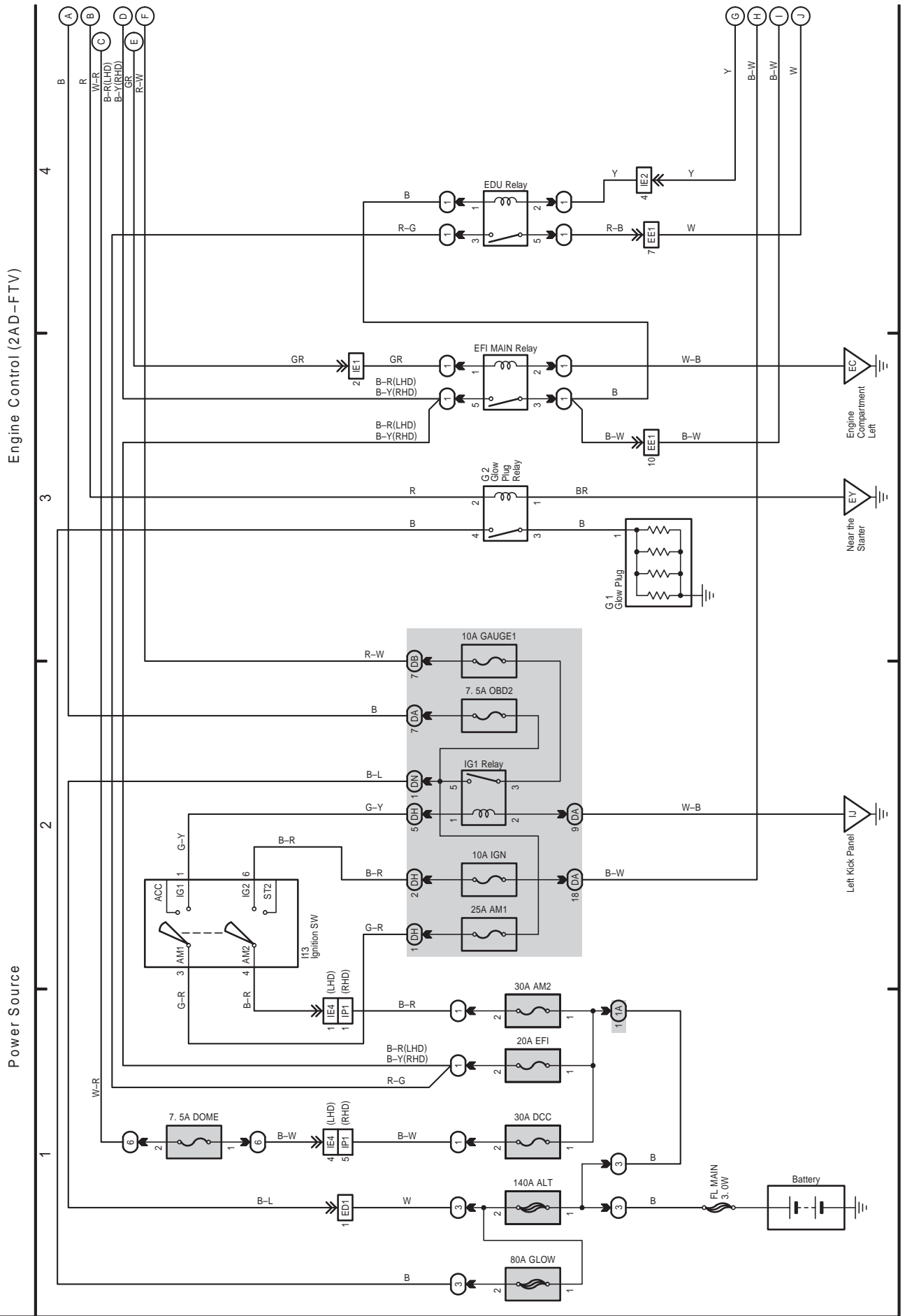
* 3 : Shielded
* 5 : w/ Navigation System (Map Type)



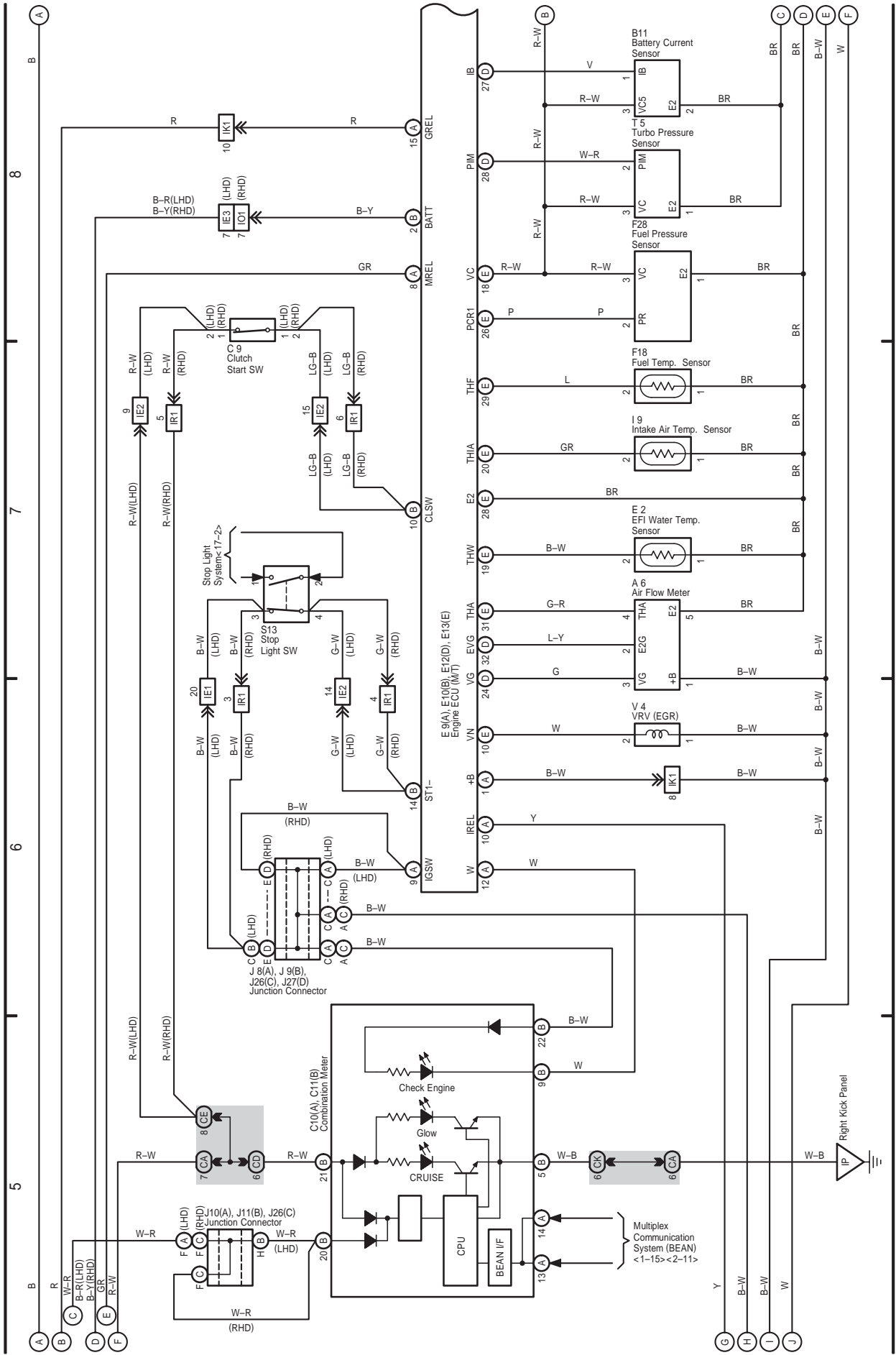
H OVERALL ELECTRICAL WIRING DIAGRAM

51 AVENSIS

(Cont. next page)



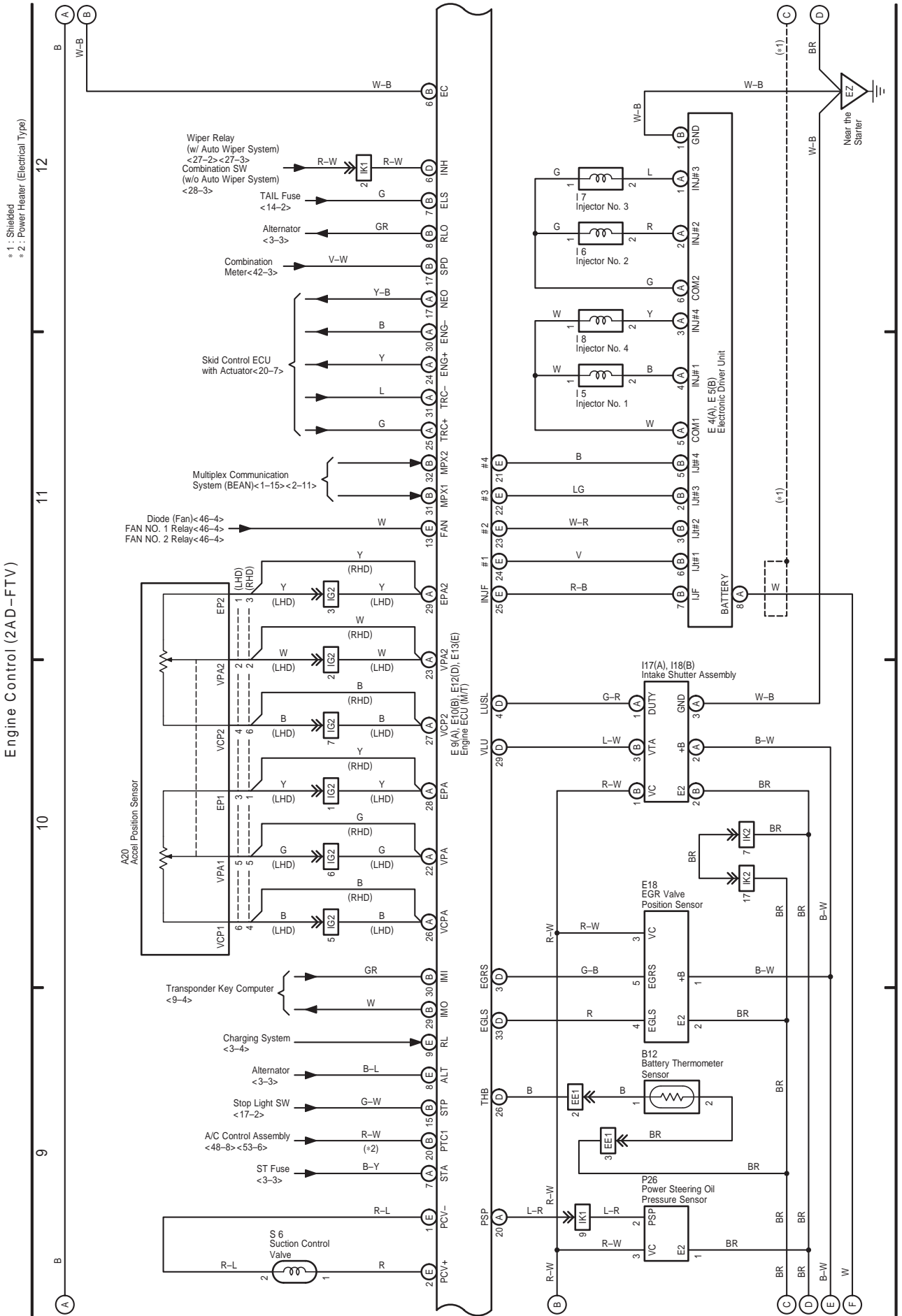
Engine Control (2AD-FTV)



H OVERALL ELECTRICAL WIRING DIAGRAM

51 AVENSIS (Cont' d)

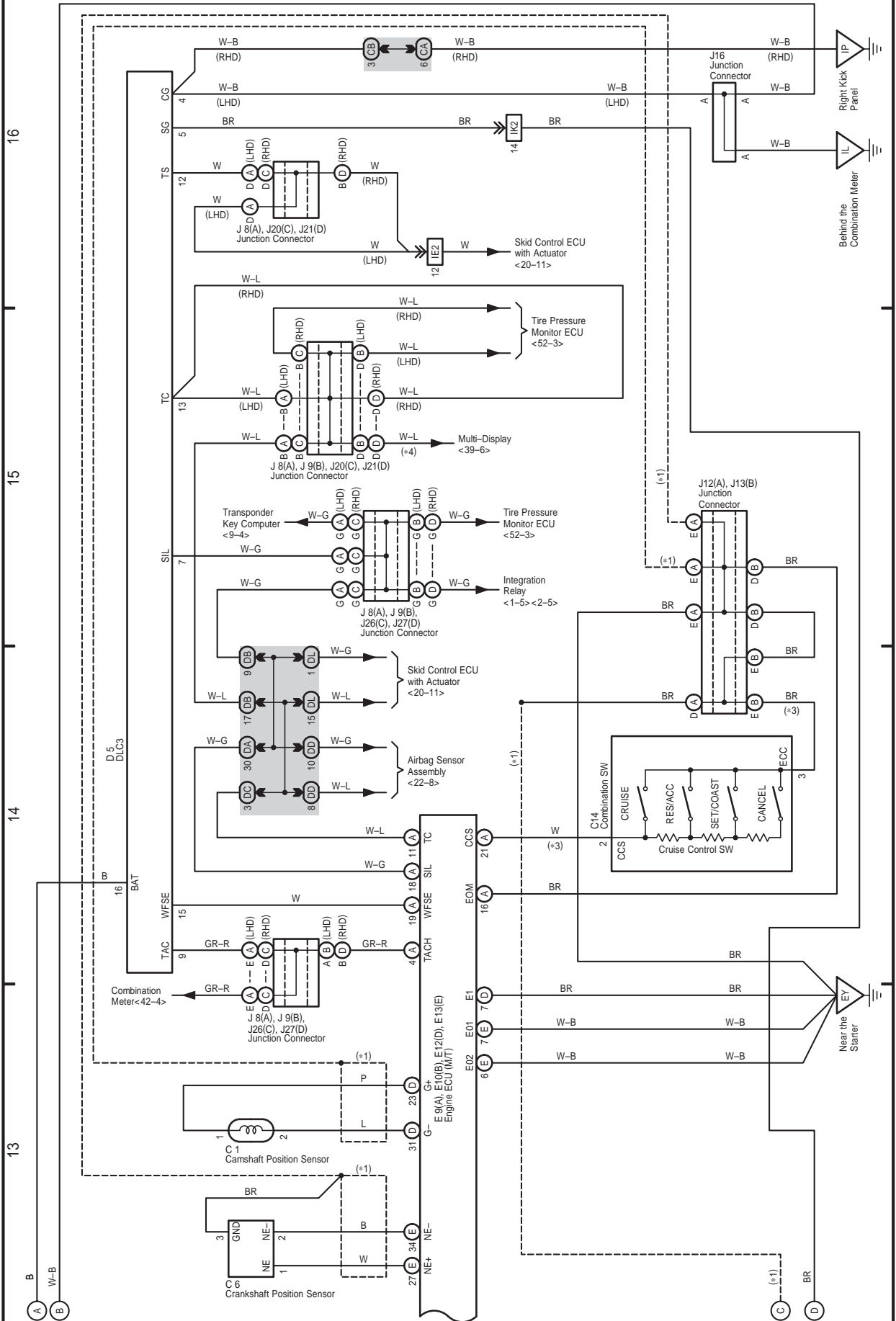
(Cont. next page)



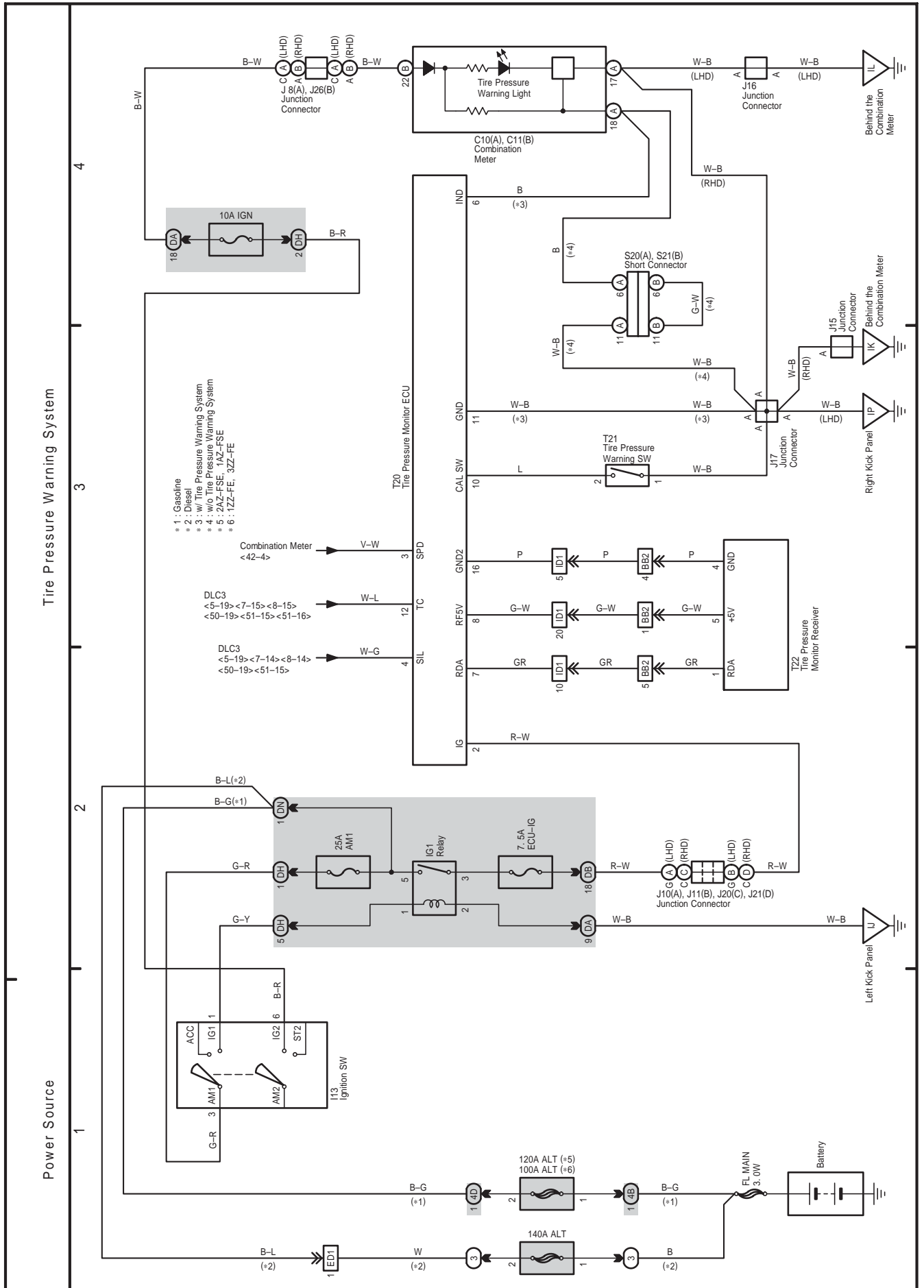
Engine Control (2AD-FTV)

Cruise Control (2AD-FTV)

* 1 : Shielded
 * 3 : w/ Cruise Control
 * 4 : w/ Navigation System (Map Type)



H OVERALL ELECTRICAL WIRING DIAGRAM

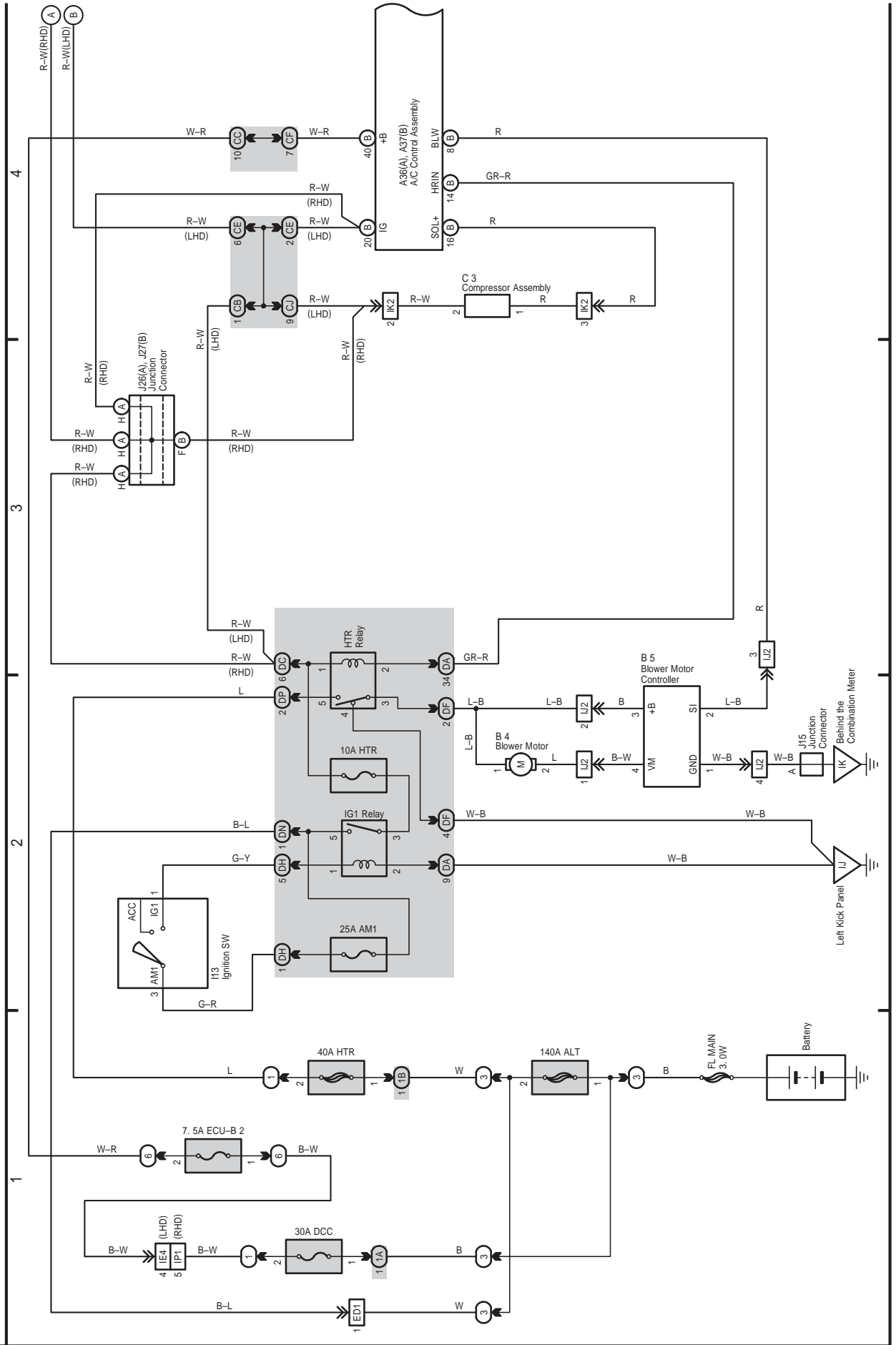


H OVERALL ELECTRICAL WIRING DIAGRAM

53 AVENSIS

(Cont. next page)

Automatic Air Conditioner (2AD-FHV, 2AD-FTV)



Automatic Air Conditioner (2AD-FHV, 2AD-FTV)

